



OUR NETWORK OF INNER STRENGTH



11
Plants



29
Sales Offices



800+
Dealers & Distributors



In **2000**
Towns & Cities



1 Lakh+
Retailers & Fabricators



36 Lakh
Tonnes Capacity



30+ Years
of Experience



Scan to know more about us

APL APOLLO TUBES LTD.

Corporate Office: SG Centre, 37 C, Block B, Sector - 132, Noida, Uttar Pradesh - 201304

Tel : +91 - 120 6918000 | Website: www.aplapollo.com

Follow us on: [f](#) [in](#) [t](#) [v](#) / APL APOLLO [i](#) / APL APOLLO OFFICIAL | TOLLFREE: 1800 102 3737

INDIA'S
No. 1
STRUCTURAL STEEL TUBE COMPANY



APOLLO
STEEL **PLANK**[®]

NOW STEEL WILL
STEAL THE SHOW.



*India's No. 1 by Market Share





Sudesh Group

Sudesh Group is India's leading Steel Tubes and PVC Pipes manufacturer with 14 plants across different locations in the country. It's a pioneer in steel tubes of different types and shapes. For over 3 decades, SG Group has been revolutionizing the Steel Tubes manufacturing industry.



APL Apollo, a part of SG Group, is the country's largest manufacturer of steel pipes and tubes. Using High Frequency Induction Welding Technique (HFIW), APL Apollo has a capacity to produce 3.6 million tonnes of pipes per annum. The company is the unrivalled pioneer of Direct Forming Technology (DFT) as well as many other innovative products in the country.



INTRODUCING APOLLO PLANK

Our planet is our only home, our only hope. It's imperative that we protect and preserve the limited resources of our planet by taking care of its environment. One such way is to reduce deforestation, which is one of the biggest contributors to global warming.

At Apollo TriCoat, we're committed to protecting and preserving this scarce resource by offering sustainable and environment-friendly solutions. Like Apollo Plank - conceived to completely replace wood with steel across the country. Moreover, steel being a durable material is corrosion free, rust and termite-proof and fire-resistant.

APOLLO
STEEL PLANK®



THE NEW AGE SOLUTION FOR A WIDE RANGE OF USAGE



FIRE-RESISTANT



TERMITE PROOF



DURABLE



ECO-FRIENDLY

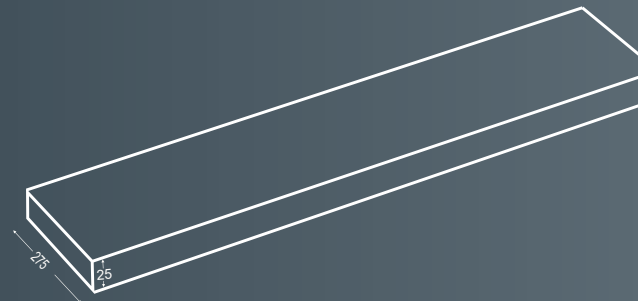


RECYCLABLE



OUR RANGE OF STEEL PLANKS

Apollo Steel Plank comes in a wide range of choices, which are cost-effective and have multiple benefits - better aesthetics, fire-resistant, durable, easily recyclable, etc. Bring home Apollo Planks, for not just a better world, but also for a better-looking world.



Note : Available in Black and Pre Galvanised (GP)
Other thickness also available on request

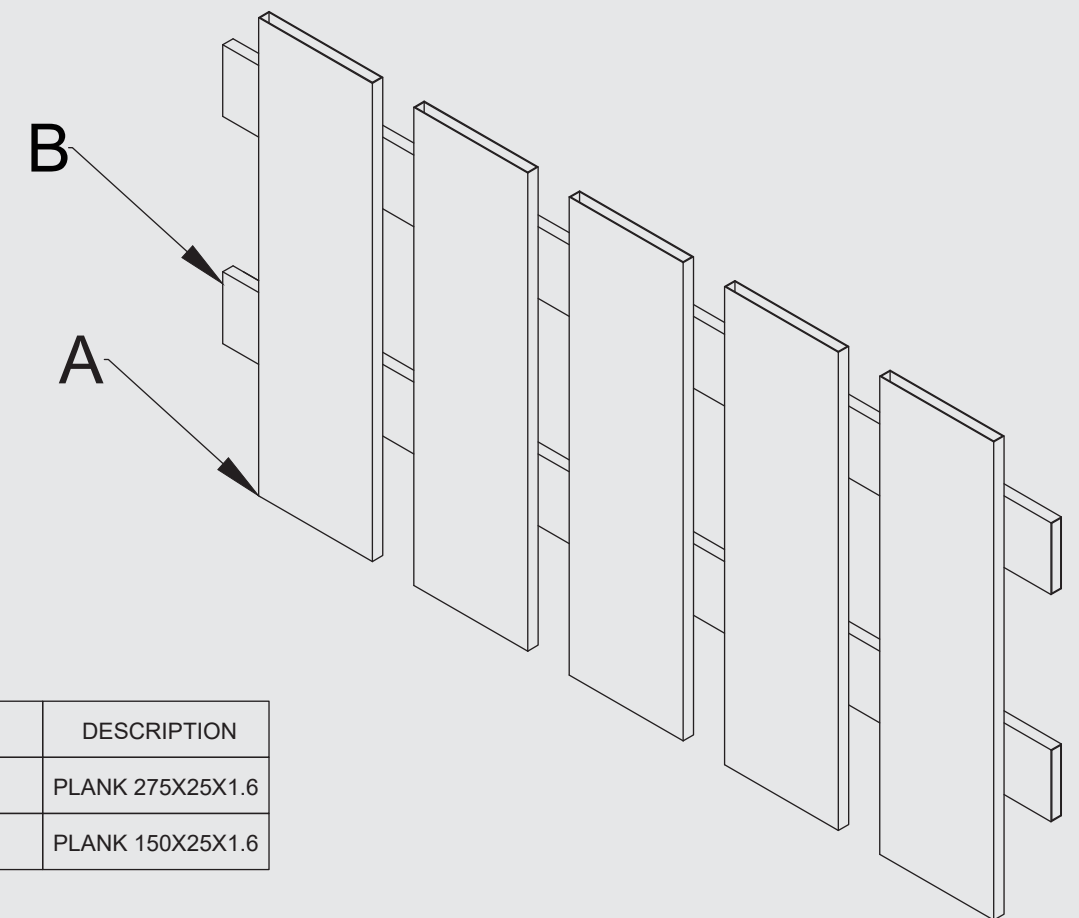
Size (mm)	Thickness (mm)
125 x 25	1.6 and 2.0
150 x 25	1.6 and 2.0
175 x 25	1.6 and 2.0
200 x 25	1.6 and 2.0
225 x 25	1.6 and 2.0
250 x 25	1.6 and 2.0
275 x 25	1.6 and 2.0



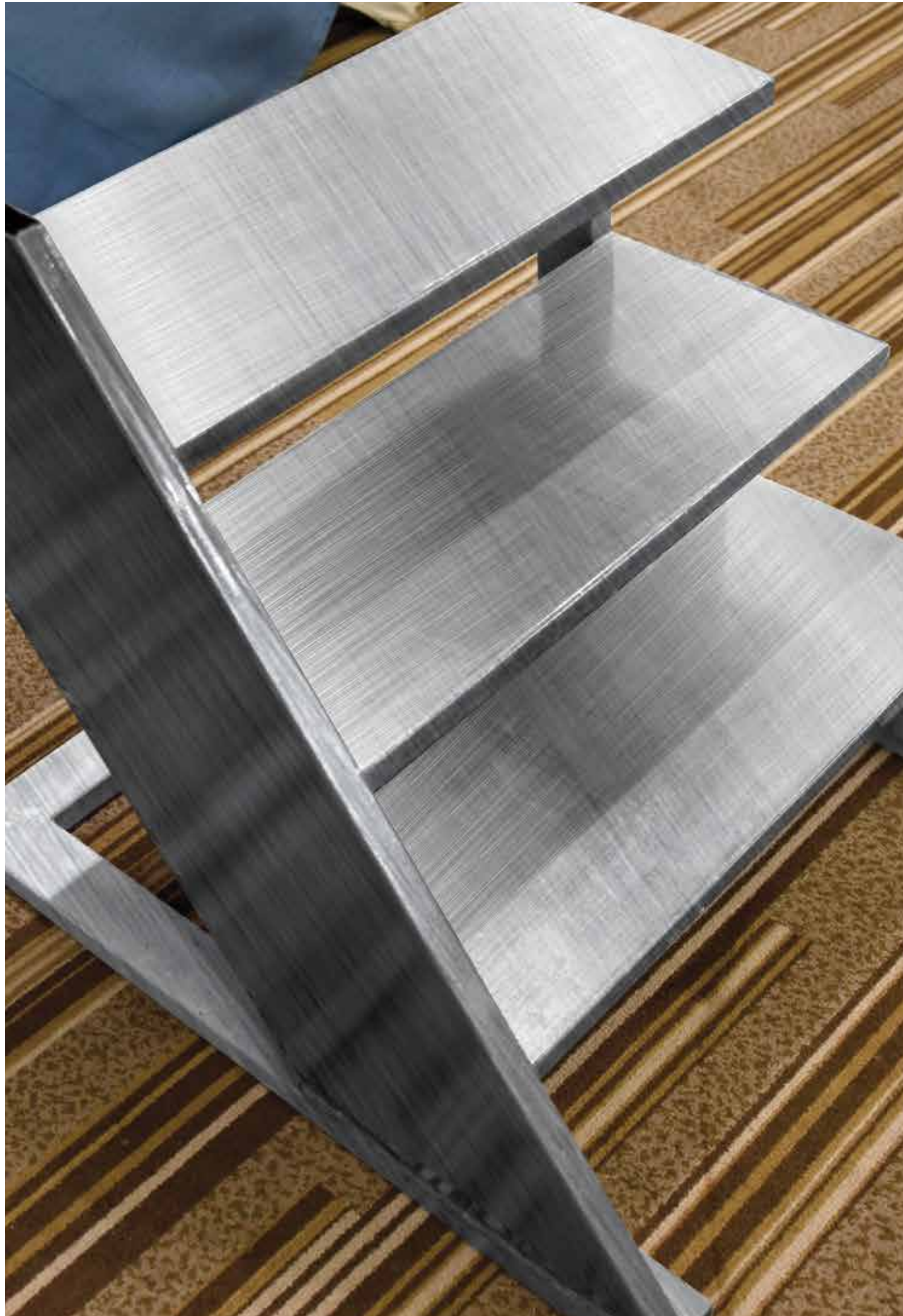
FENCING

The first thing that people will see when they visit your property is the fence installed around it. That's why, you need to install a fence that stands out from the rest.

Apollo Plank not only gives your fencing incomparable durability and strength, but also adds a dash of style and classness to your property.

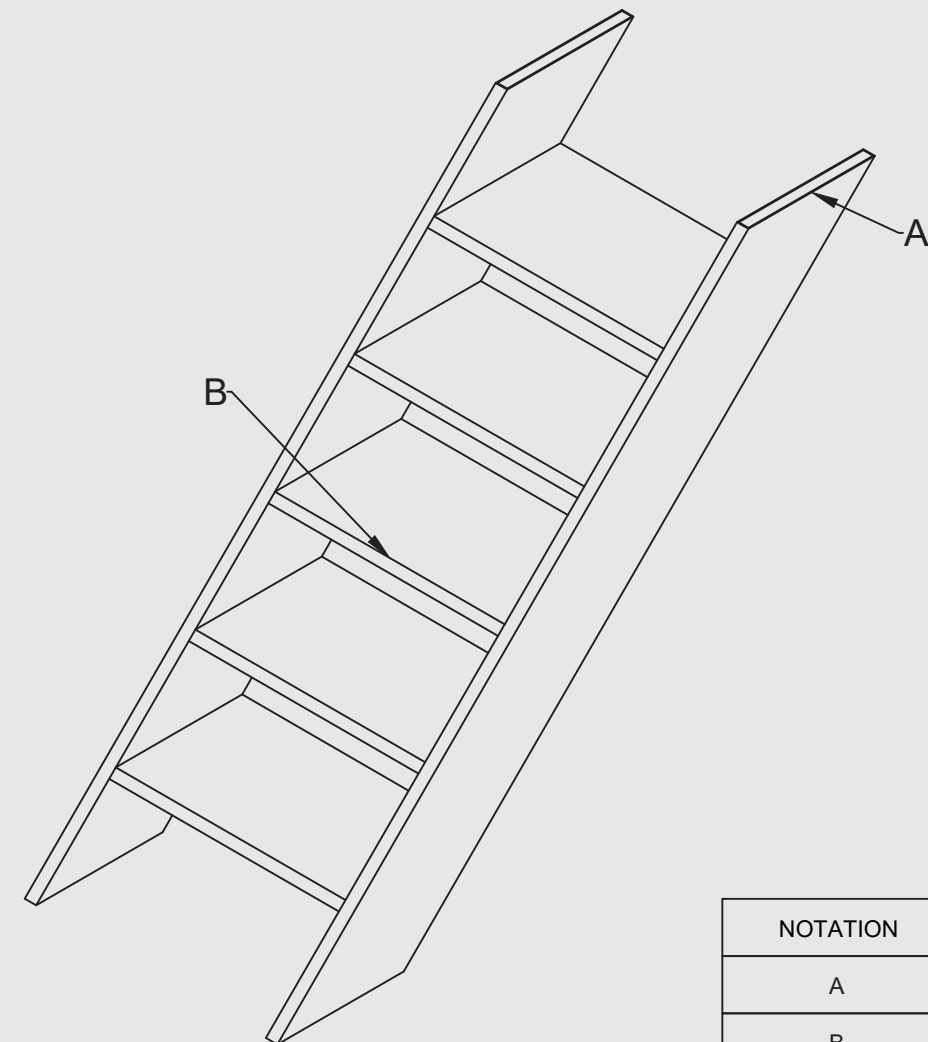


NOTATION	DESCRIPTION
A	PLANK 275X25X1.6
B	PLANK 150X25X1.6

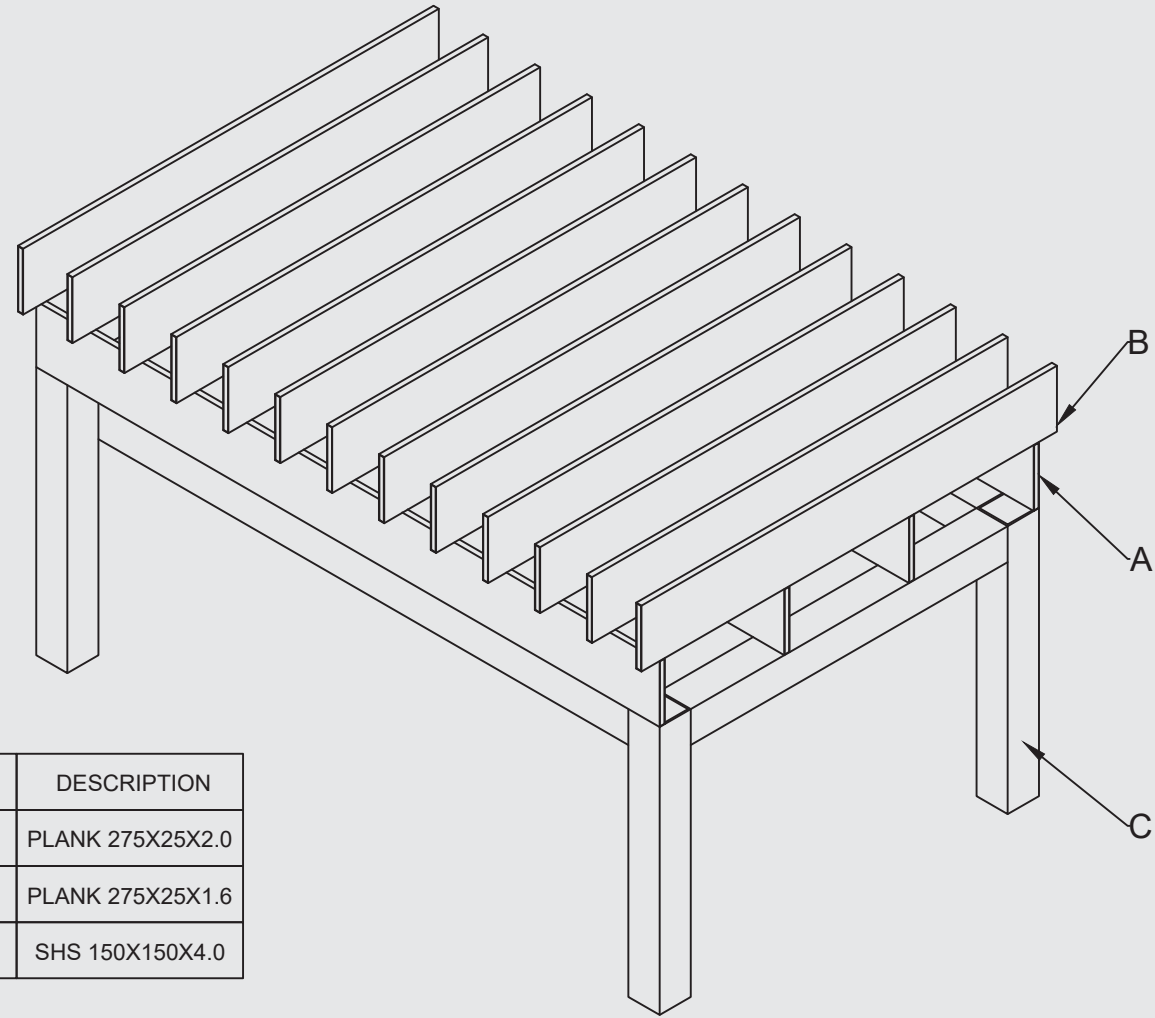


STAIRCASES

Stairs are an indispensable part of any home. We've brought a steel substitute that looks more classy and elegant than its wooden counterpart. Steel stairs not only add to the beauty of your house but also give you relief from the burden of renovation and care, as they are durable and corrosion-free.



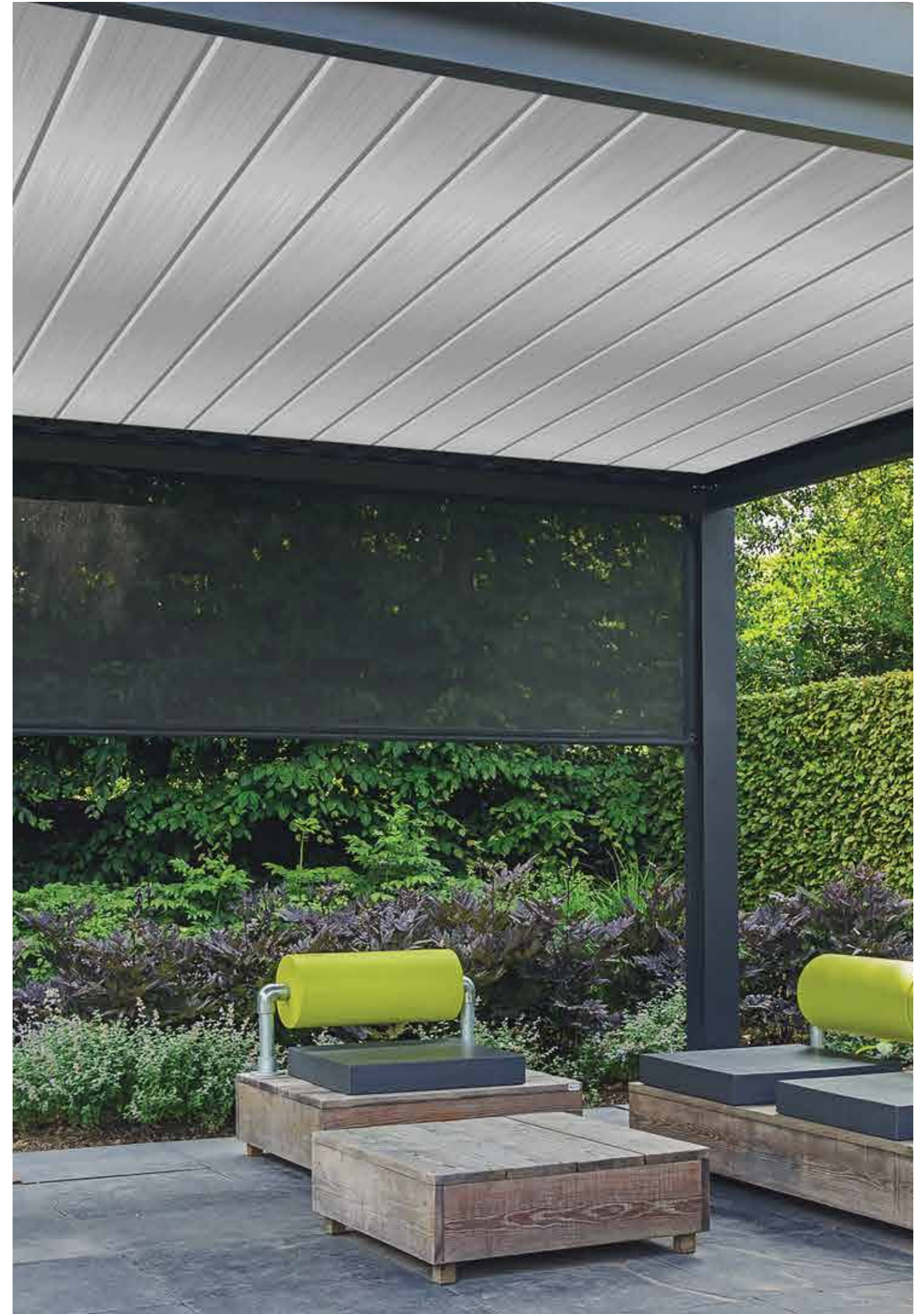
NOTATION	DESCRIPTION
A	PLANK 275X25X2.0
B	PLANK 275X25X1.6

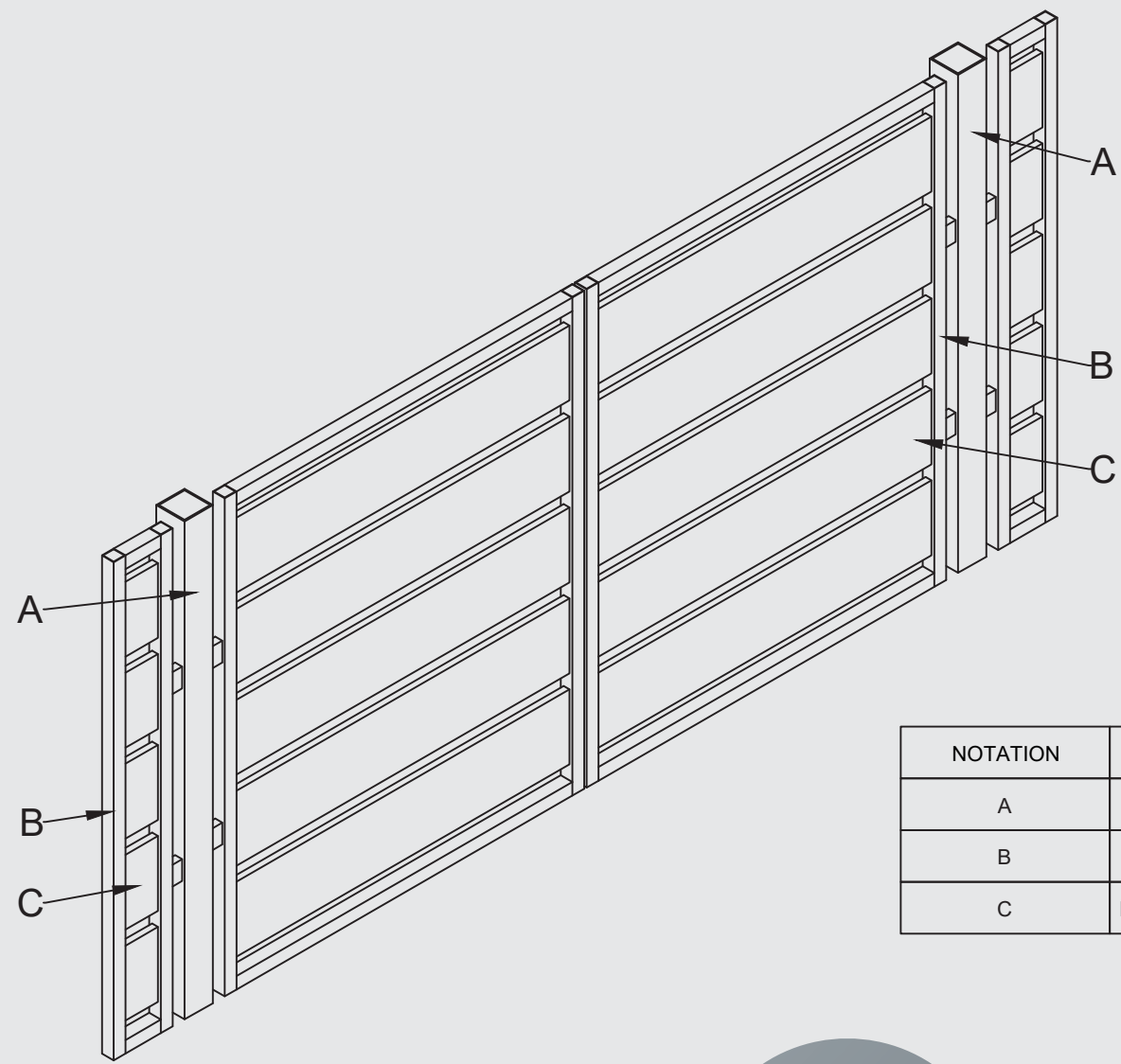


NOTATION	DESCRIPTION
A	PLANK 275X25X2.0
B	PLANK 275X25X1.6
C	SHS 150X150X4.0

PERGOLAS

Pergolas are structures that are usually installed in gardens and parks. Be it during the rains or on a bright sunny day, you can always enjoy the shade with a hot cup of coffee or chilled soft drink by your side. That's why, we've reinvented steel which is not only durable and corrosion-free but also matches the aesthetic taste of consumers.

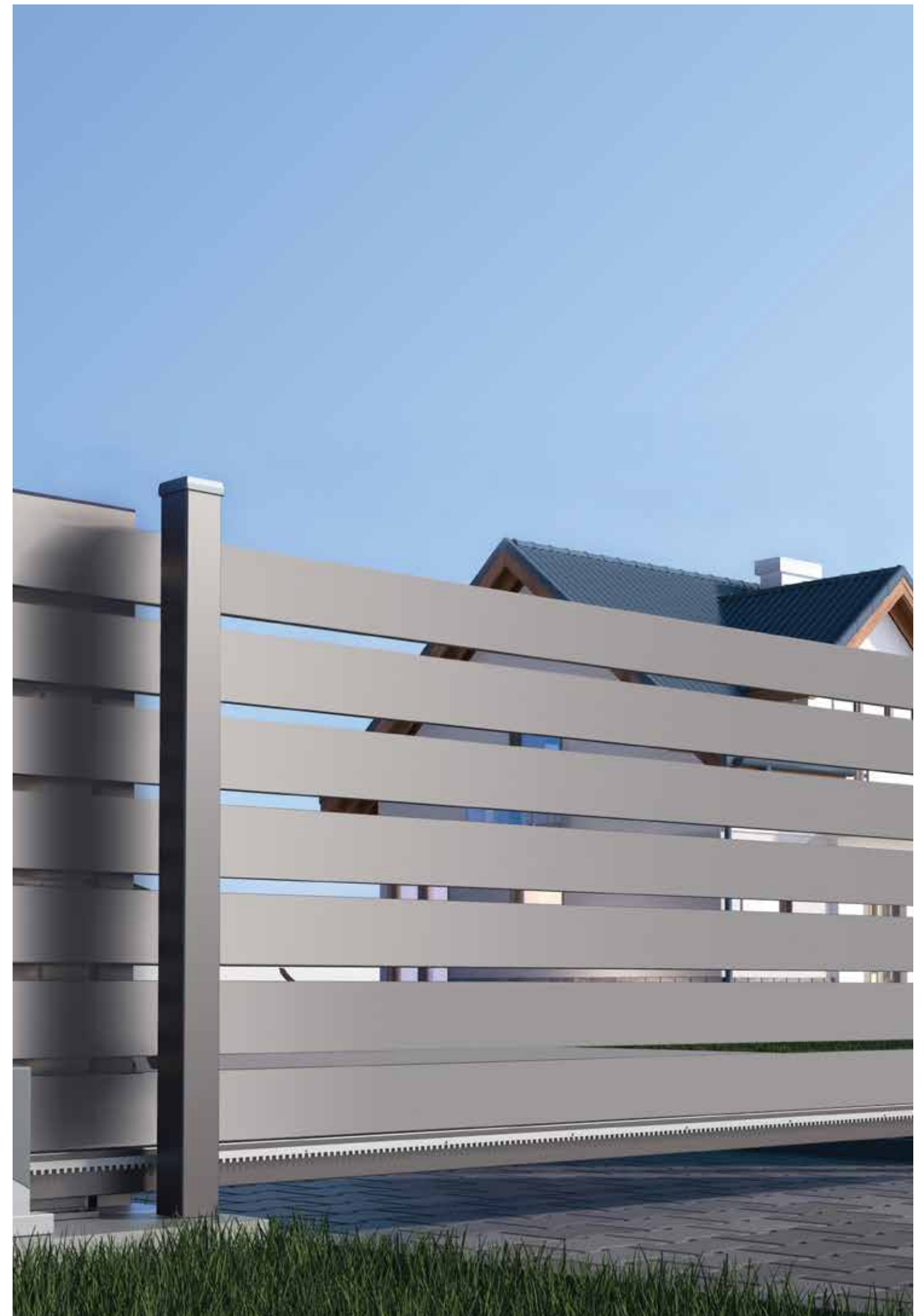




NOTATION	DESCRIPTION
A	SHS 120X120X5
B	SHS 50X50X2
C	PLANK 275X25X1.6

GATE

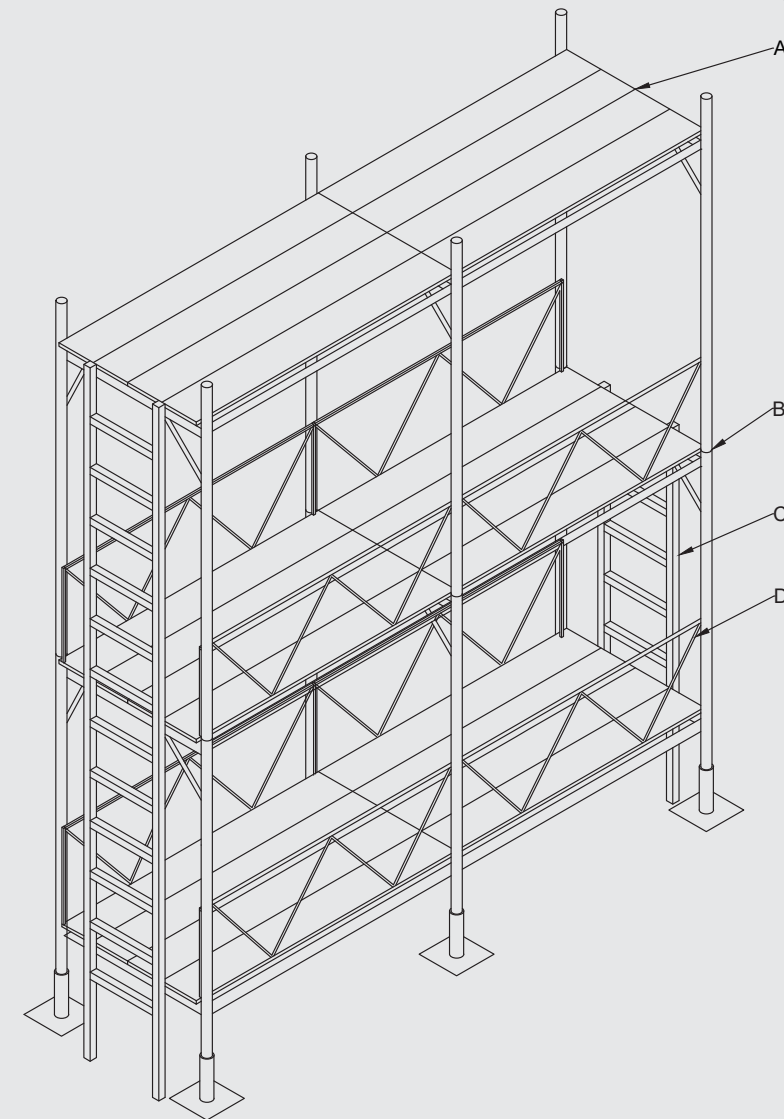
Apart from providing us security, marking our property and maintaining our privacy, Gates have always had a decorative purpose in our homes. Apollo Plank offers a range of beautiful designs that will combine perfectly with your property style so that you can customize your gate the way you want.





SCAFFOLDINGS

The life of workers and labourers depends on a scaffolding's strength. That's why, we are introducing a trustworthy steel product which is not only durable but can also bear more load than wood and stands tall even in adverse weather conditions.

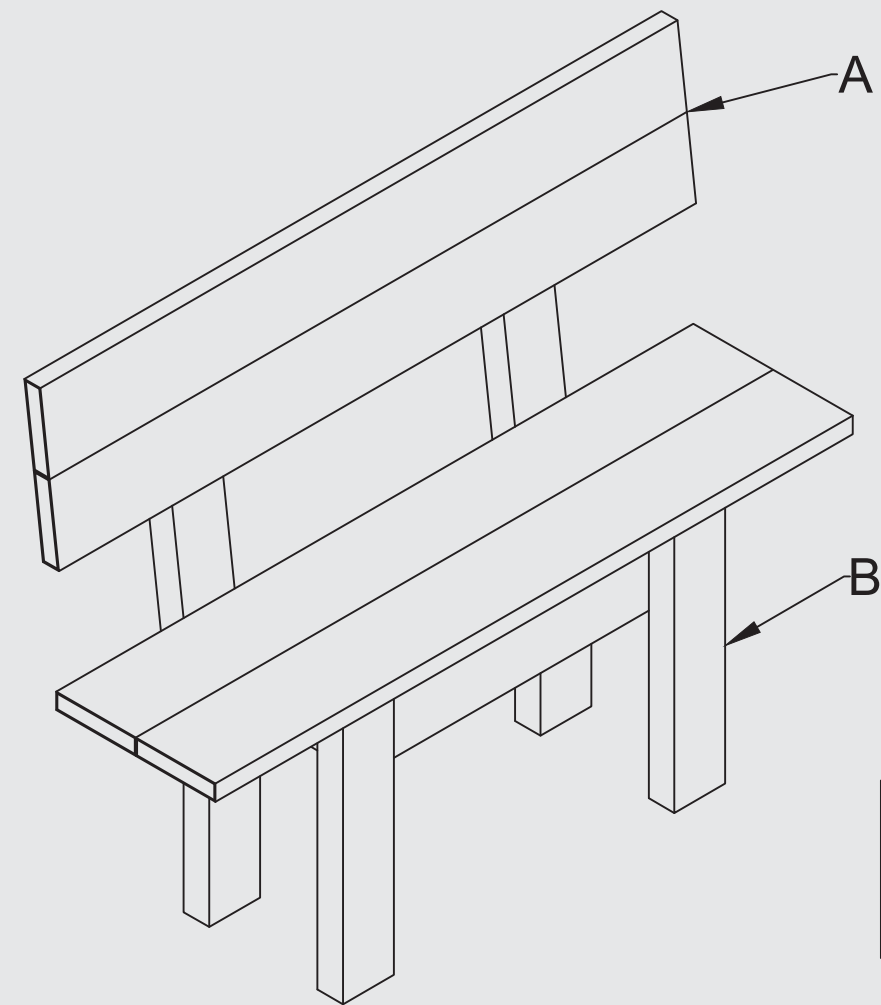


NOTATION	DESCRIPTION
A	PLANK 275X25X1.6
B	CHS Dia 63.5X2
C	SHS 50X50X2
D	SHS 15X15X1.6



BENCHES

The bench is a symbol of friendship. It is used as a meeting space and also as a place to sit and talk. Don't look at bench as a piece of ordinary furniture. This great addition to our property should not be taken for granted. It deserves the strength, style and good looks of Apollo Plank.

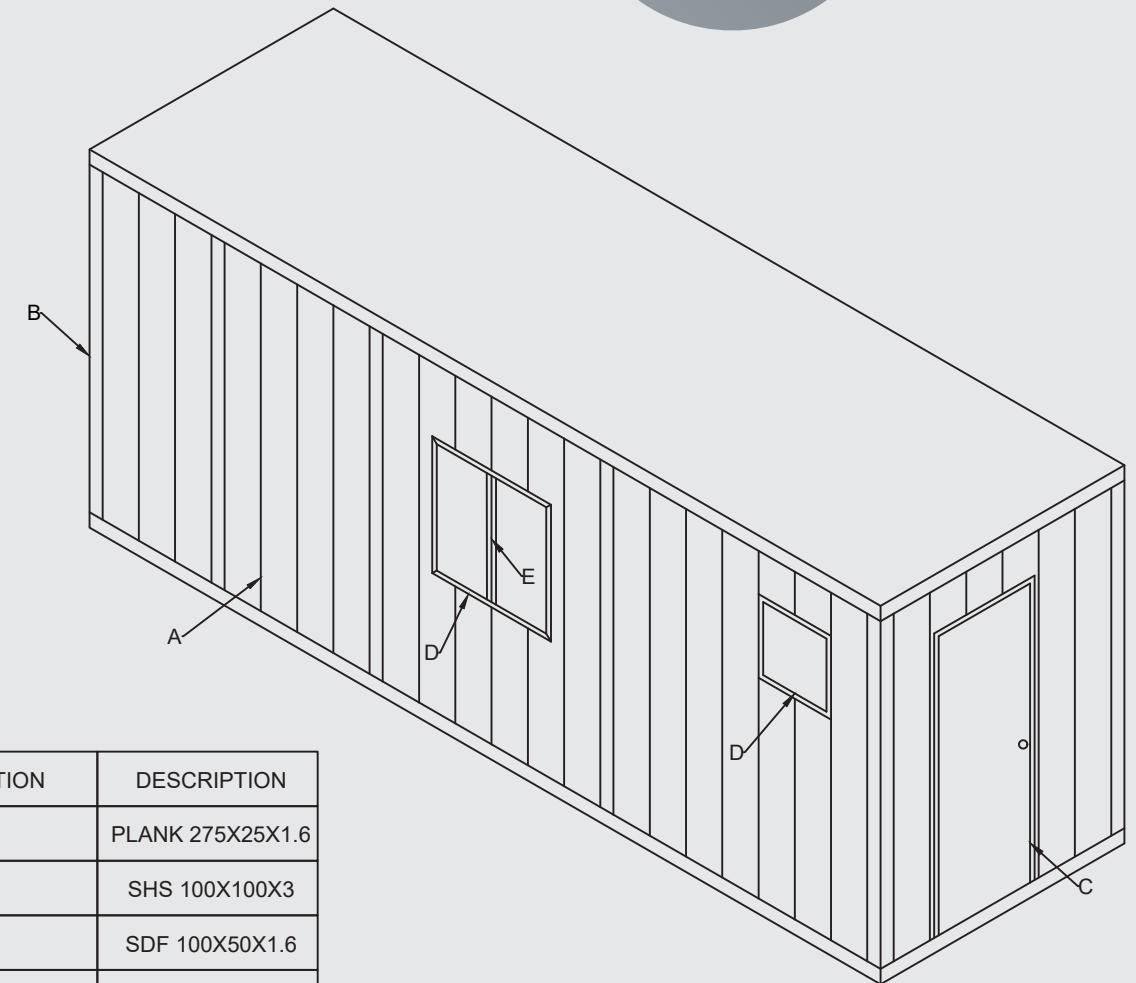


NOTATION	DESCRIPTION
A	PLANK 125X25X1.6
B	RHS 80X40X2

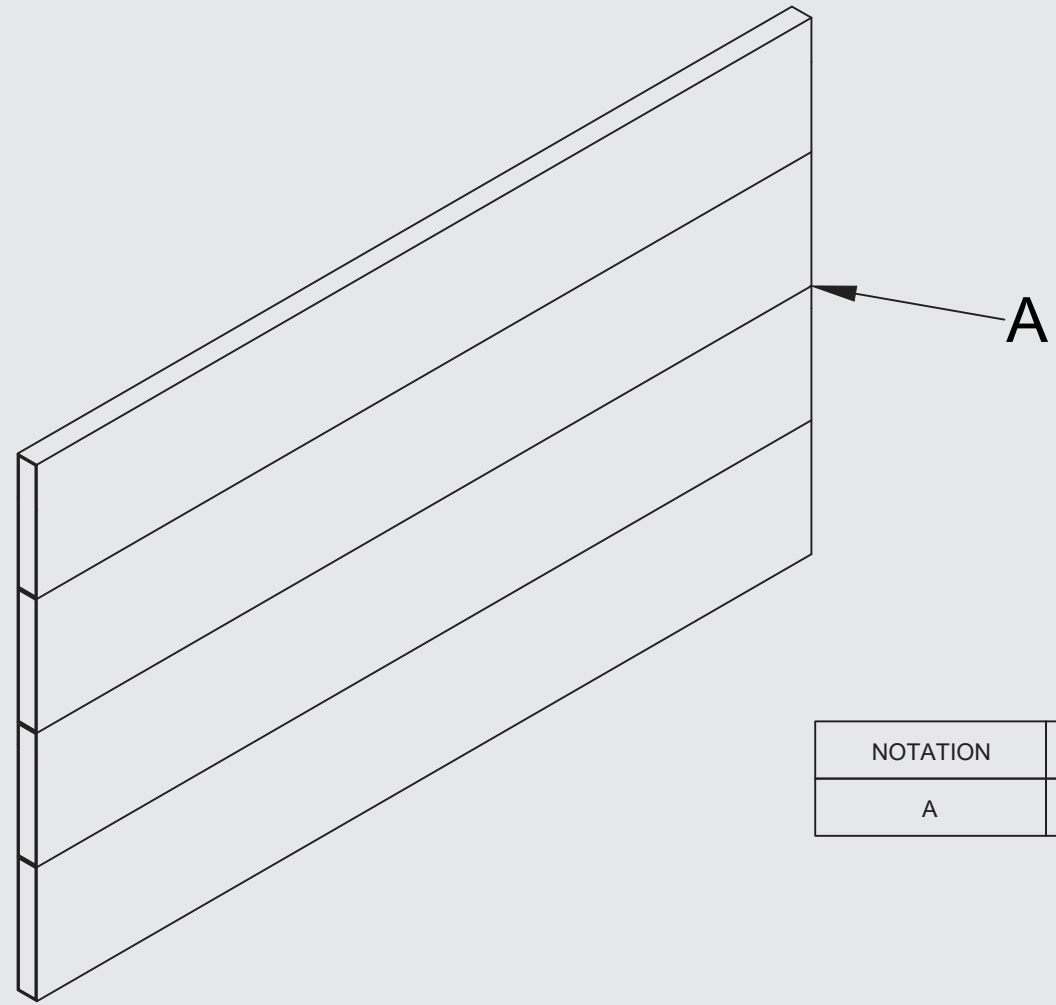


PORTA CABIN

From large wedding receptions to festivals, construction sites and camp sites, Porta Cabins are essential on so many occasions. They are also very handy to have around in case a building's usual facilities stop working for any reason. Hence, it is very important that a Porta Cabin is durable and pleasant to look at. And that's where the unmatched style and strength of Apollo Plank comes in as a smart choice.



NOTATION	DESCRIPTION
A	PLANK 275X25X1.6
B	SHS 100X100X3
C	SDF 100X50X1.6
D	46X18X2 L
E	52X25X2 T

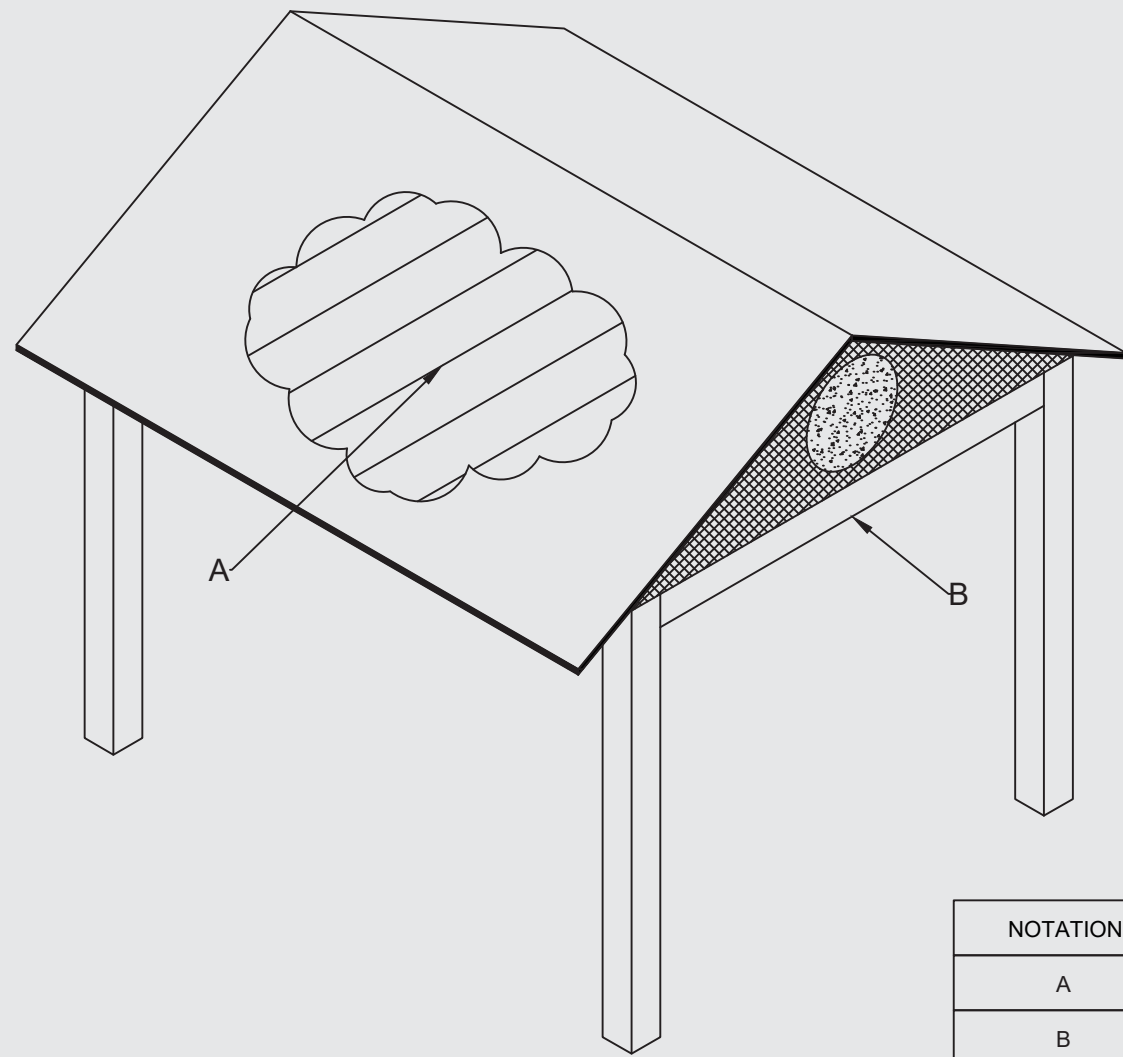


NOTATION	DESCRIPTION
A	PLANK 275X25X1.6

TRUCK CLOSURES

Trucks usually face adverse weather conditions as they move across the country. Steel closures can bear any situation and can outperform wood on any given day.





NOTATION	DESCRIPTION
A	PLANK 275X25X1.6
B	SHS 150X150X6

ROOFTOPS

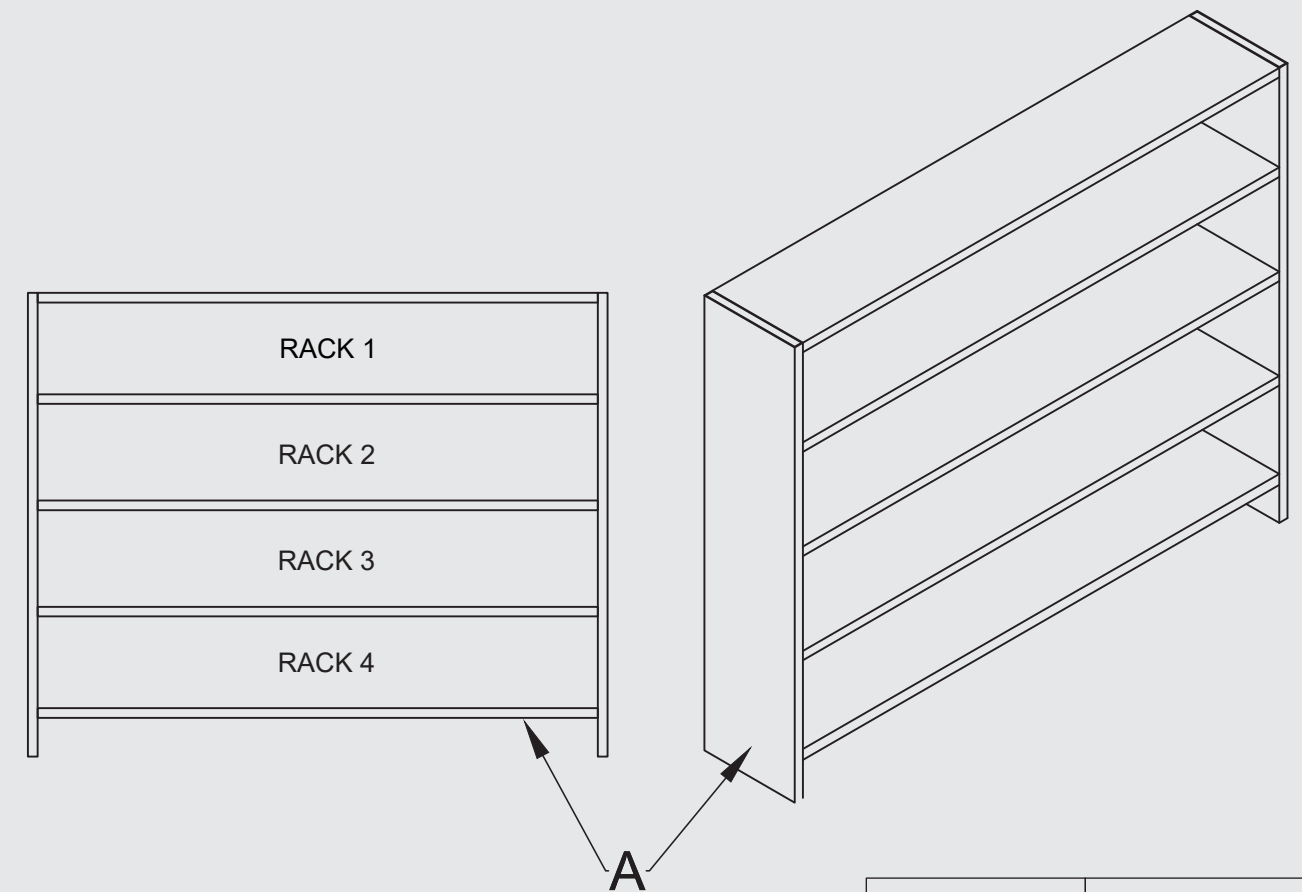
Roof is the most important aspect in the home since it protects you and your family from many things. That's why, it is essential that you have a top-notch rooftop made from Apollo Plank. It won't just make your rooftop look good but also help it perform well under all weather conditions.





SHELVES

Conventional wooden shelves are usually prone to spills and scratches from the appliances and items kept over it. Steel shelves are much durable, aesthetical and resistant to any kind of wear and tear. Hence, they are the best substitute for wood.

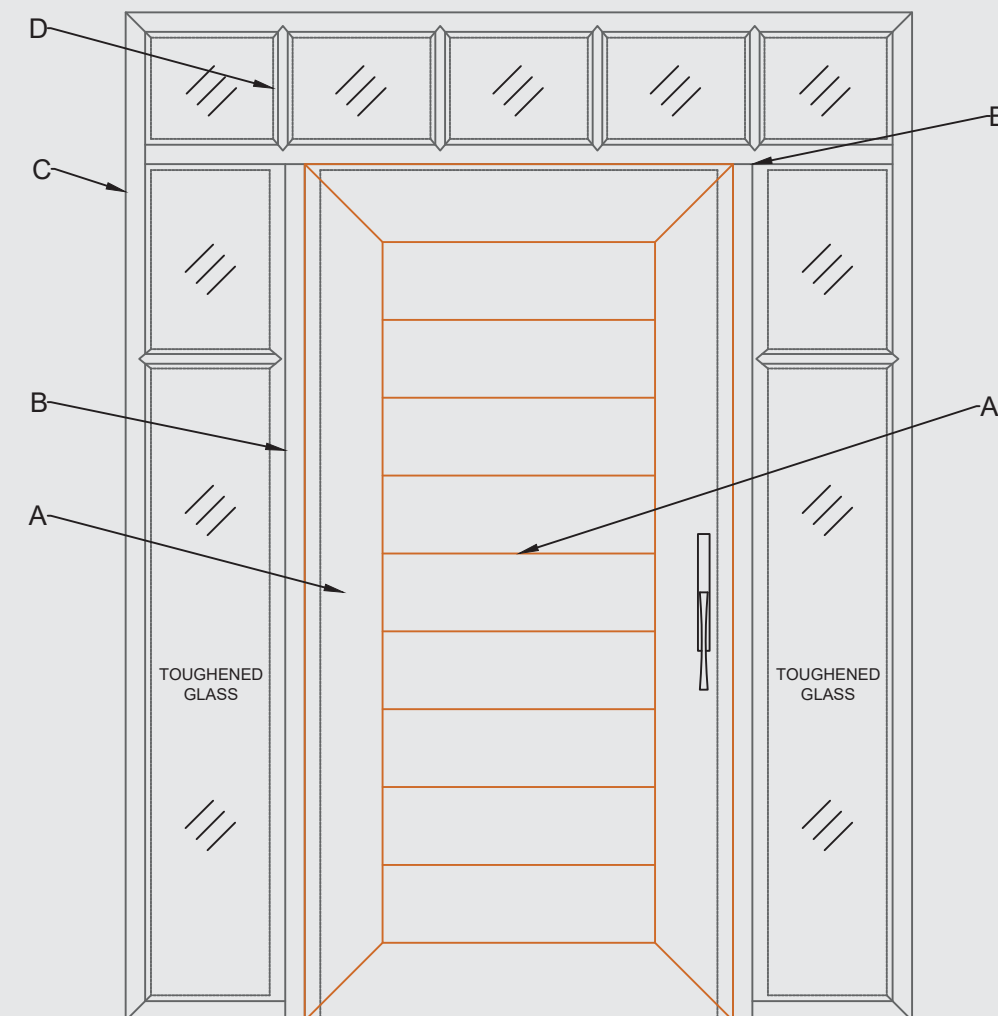


NOTATION	DESCRIPTION
A	PLANK 275X25X1.6

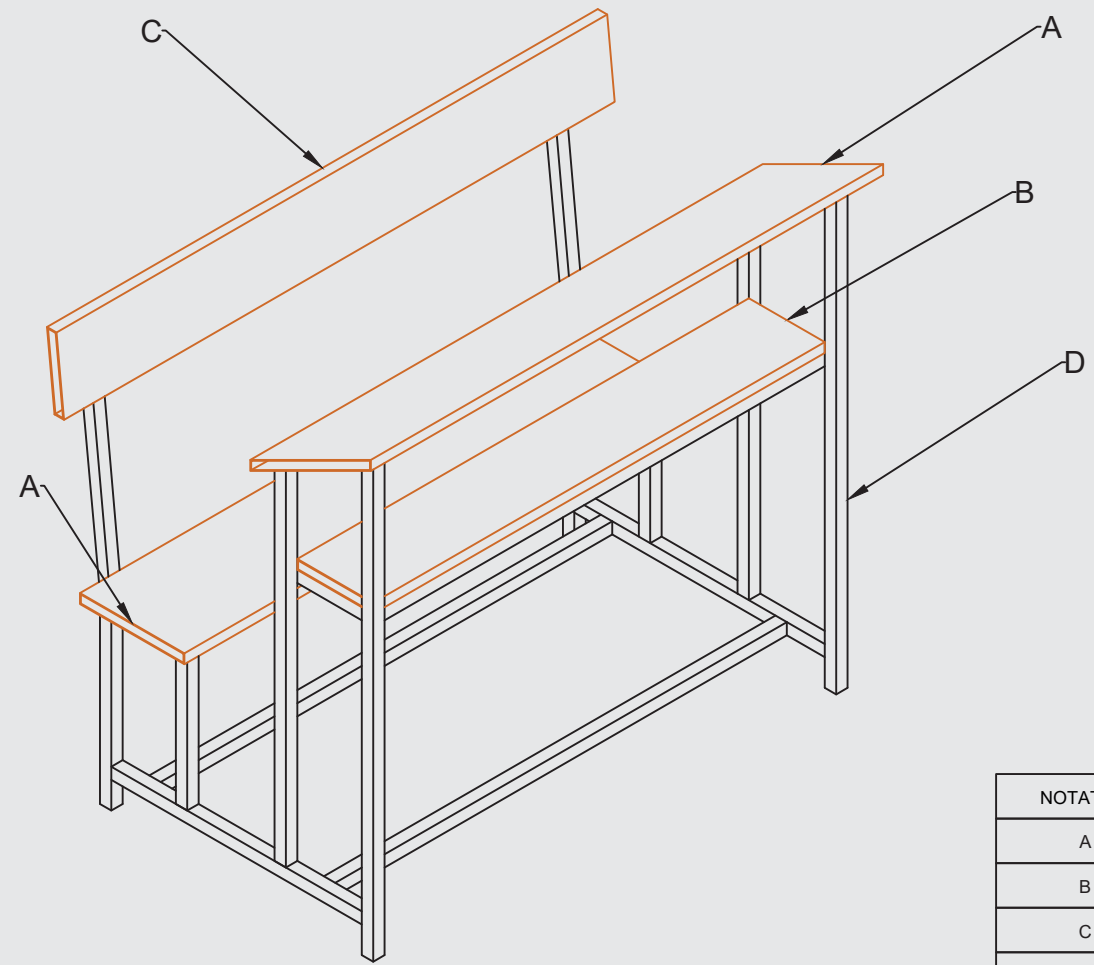


DOORS

Steel doors can stay put in any kind of weather condition and require zero maintenance. Being a durable and corrosion-free substance, a steel door saves the cost of renovation and gives your house an elegant look.



NOTATION	DESCRIPTION
A	PLANK 200X25X1.6
B	FDG 130X80X2.0
C	SDF 100X50X2.0
D	T SECTION 52X25

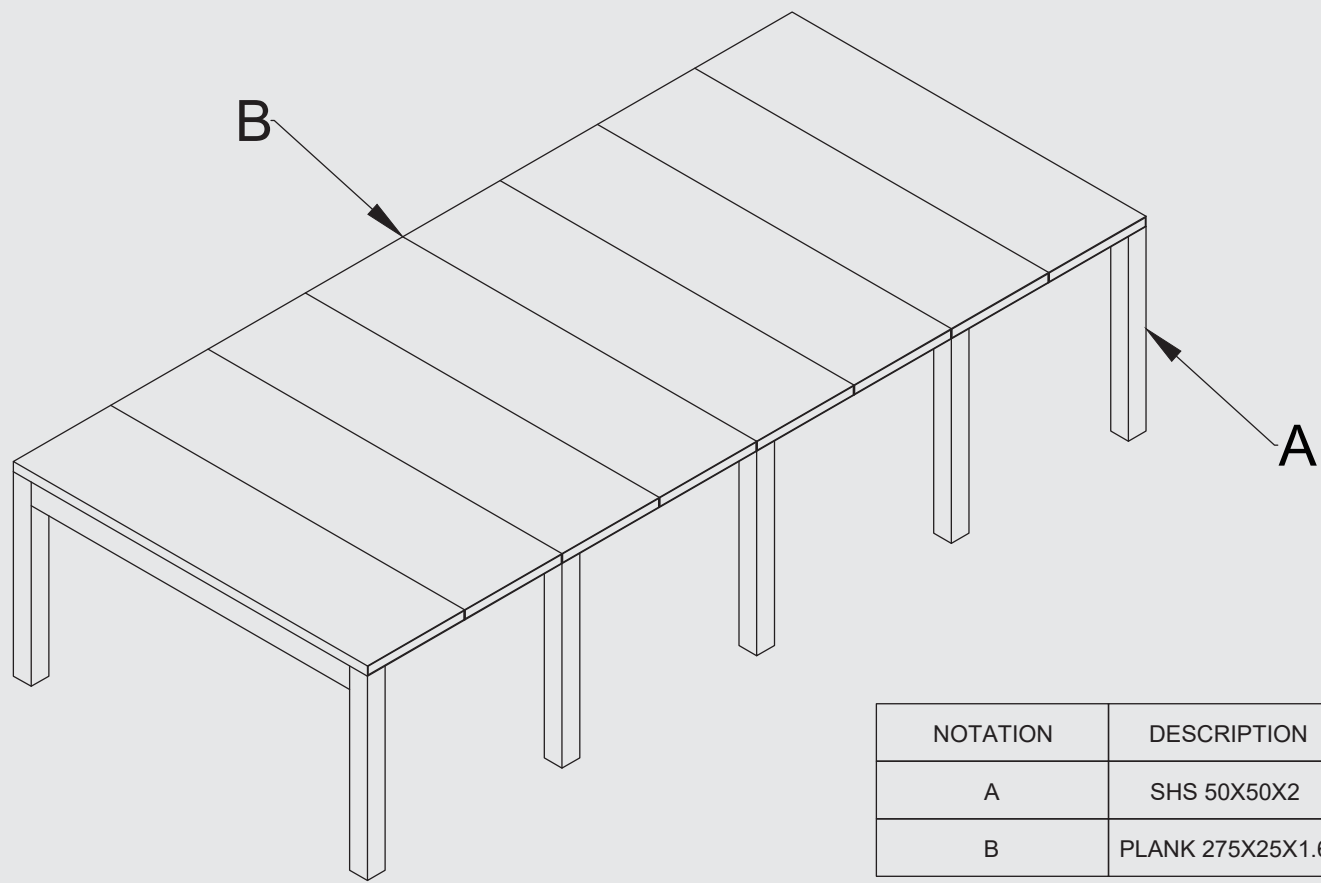


NOTATION	DESCRIPTION
A	PLANK 275X25X2.0
B	PLANK 225X25X2.0
C	PLANK 200X25X2.0
D	SHS 30X30X2.0

SCHOOL BENCHES

The bench is a symbol for friendship. It is used as a meeting space, and also as a place to sit and talk. Don't overlook the bench as a piece of ordinary furniture. This great addition to your school should not be taken for granted. It deserves the strength, style and good looks of Apollo Plank.





NOTATION	DESCRIPTION
A	SHS 50X50X2
B	PLANK 275X25X1.6

FURNITURE

We bring you the reinvented steel that adds to the aesthetics of your furniture. Our pipes are specially designed to suit all your design preferences.



CHOOSE APOLLO STEEL PLANK

**SAY NO TO
CUTTING TREES**



**CHOOSE STEEL
FOR
A GREENER WORLD**

**APOLLO
STEEL PLANK®**

