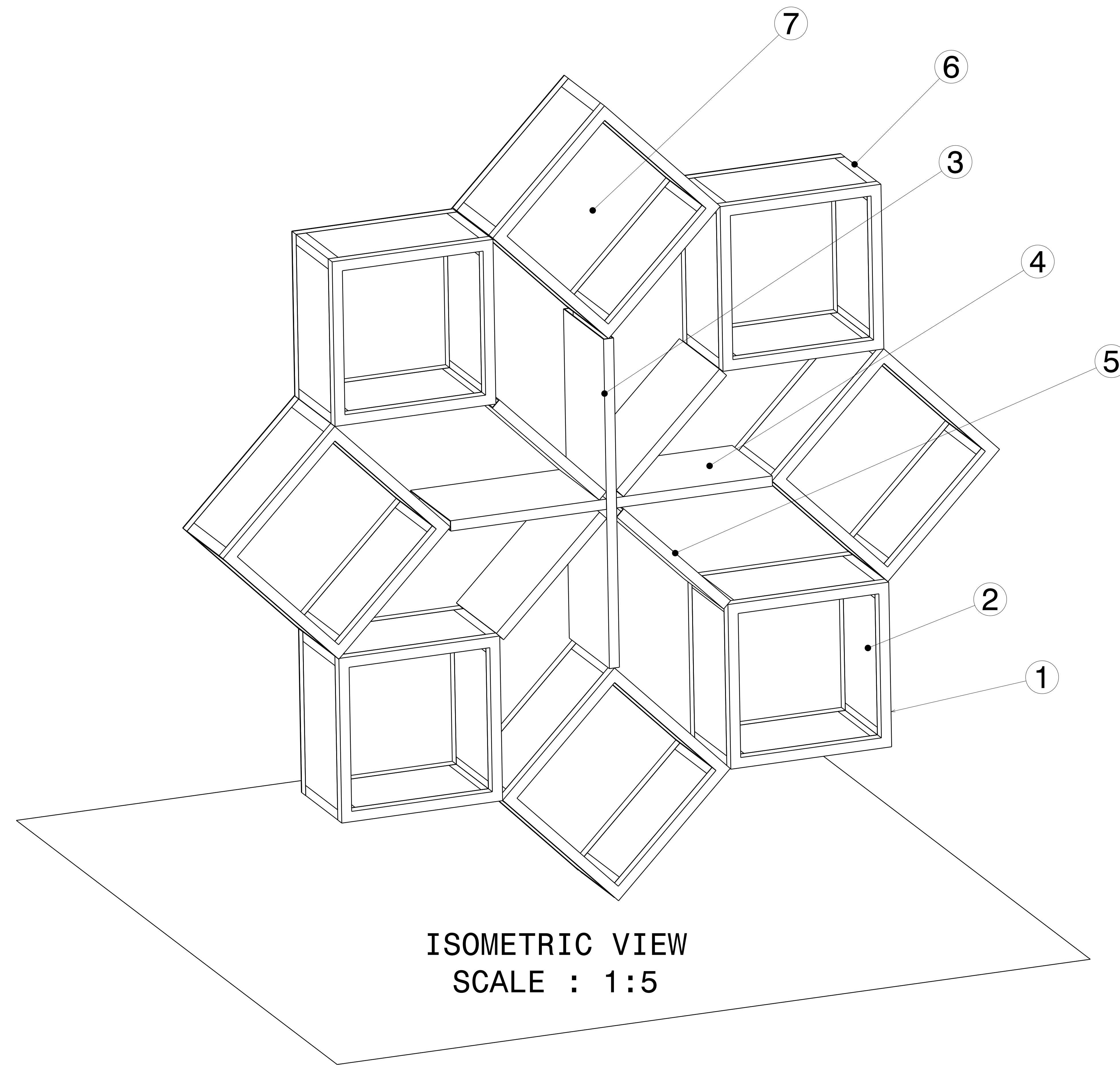


REV/DATE	DESCRIPTION
00 / 01APR2021	INITIAL REVISION

- NOTES:
- (⊥) ALL VERTICAL SUPPORTS ARE PERPENDICULAR.
 - FLATNESS OF .5MM IS APPLIED BY DEFAULT.
 - ⊲ WELD BEAD OF 2MM RADIUS IS FOLLOWED.
 - ▽ SURFACE FINISH MEDIUM TO SMOOTH IS USED.
 - ALL TUBES ARE AS PER APL APOLLO STANDARD. CHANGES MAY EFFECT THE LOAD CAPACITY.
 - ALL HORIZONTAL AND VERTICAL TUBES ARE PERPENDICULAR TO EACH OTHER WITH ±1 DEG.
 - FINE WELDING IS REQUIRED AS PER MENTIONED DETAILS AND FINISHING.
 - HIGHER CURRENT WELDING MAY AFFECT THE BRITTLNESS OF MATERIAL WHICH LATER MAY RAISE TO WEAKENING OF STRUCTURE.
 - FABRICATORS ARE ALLOWED TO USE FITTINGS/FRAMES/SUPPORTS AS NEEDED AND THE SAME MUST BE COMMUNICATED BACK TO ENGINEERING TEAM.
 - BOP COMPONENT WEIGHTS ARE FOR REFERENCE ONLY AND SUBJECTED TO CHANGE PER PURCHASED COMPONENTS.



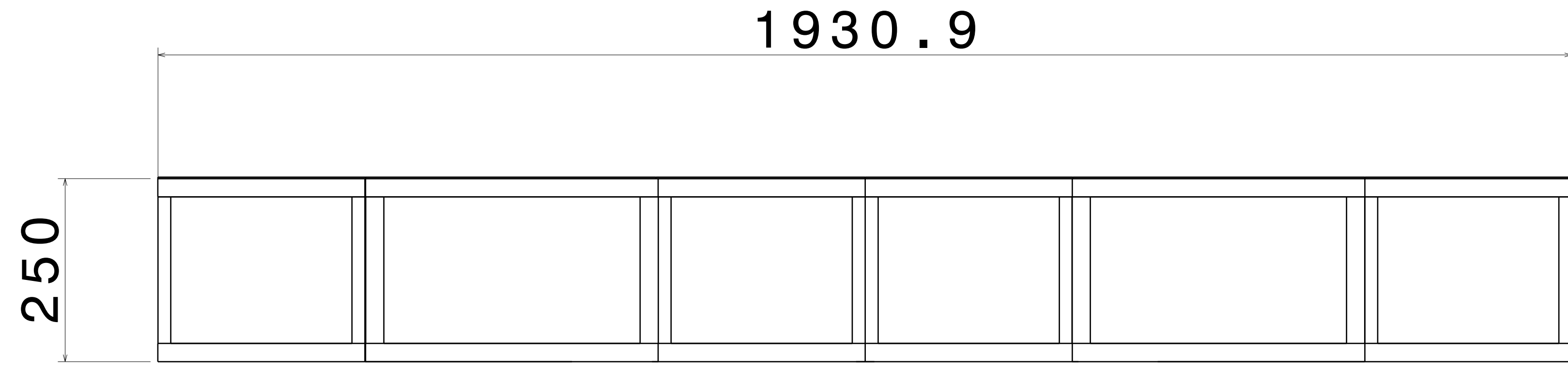
ISOMETRIC VIEW
SCALE : 1:5

ITEM NO.	PART NUMBER	DESCRIPTION	QTY.	Wt (Kg)/Each
7	BOP PLATE	-----	1	34.35
6	BOP L PLATE	-----	64	0.22
5	RHS PLANK 4	250 X 25 X 2.0 X 367.7	4	3.13
4	RHS PLANK 3	250 X 25 X 2.0 X 387.5	2	3.3
3	RHS PLANK 2	250 X 25 X 2.0 X 800	1	6.82
2	RHS PLANK 1	200 X 25 X 1.6 X 350	32	1.95
1	SHS FRAME 1	25 X 25 X 1.6 X 400	64	0.44

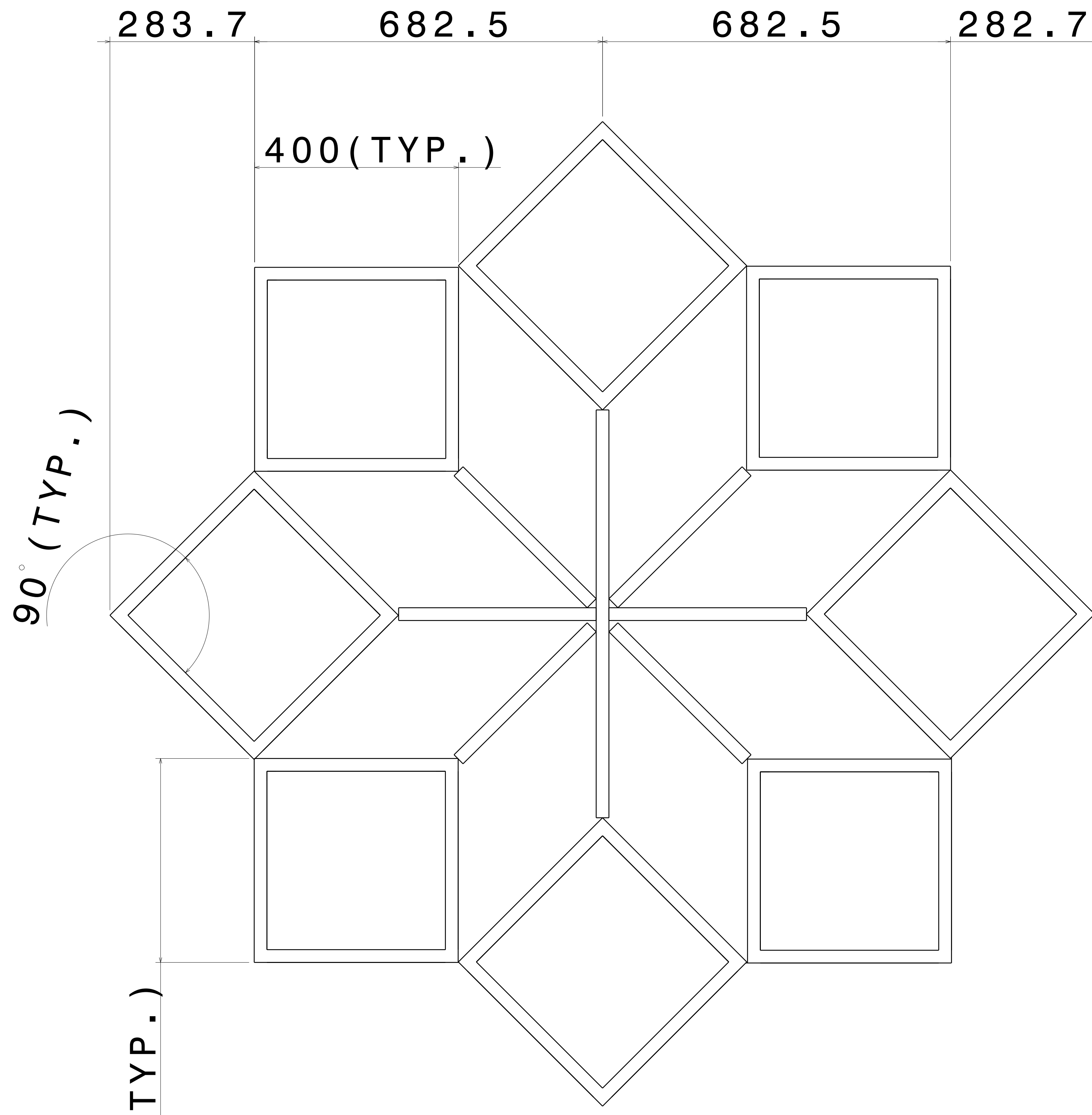
This drawing is our property. It can't be reproduced or communicated without our written agreement. www.p2p.ind.in		APL APOLLO TUBES LTD.	
DRAWN BY VM		DRAWING TITLE SHELF 1	
CHECKED BY P2P Analysis & Solutions	DATE 01APR2021	SIZE A0	DRAWING NUMBER P2P APR 21-01
DESIGNED BY P2P Analysis & Solutions	DATE 01APR2021	SCALE As Indicated	REV 00
		WEIGHT (kg) 0kg	SHEET 1 OF 3

UNLESS OTHERWISE SPECIFIED DIMENSION ARE IN MM
VIEWS: THIRD ANGLE PROJECTION

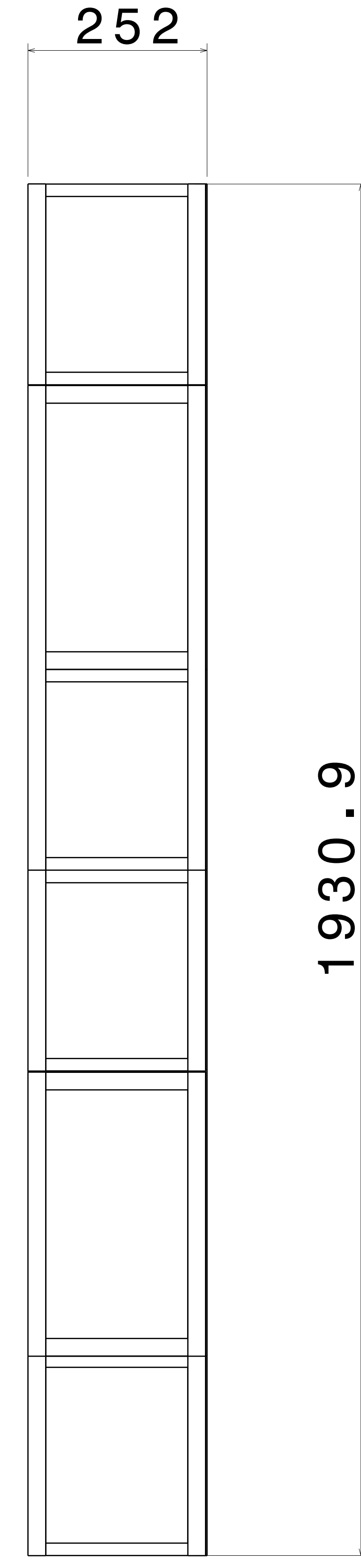
REV	DATE	DESCRIPTION
00	01APR2021	INITIAL REVISION




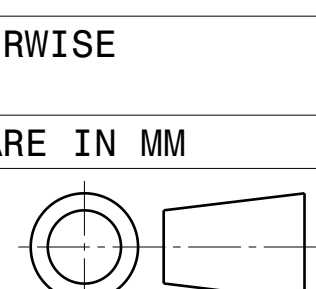
TOP VIEW
SCALE: 1:5



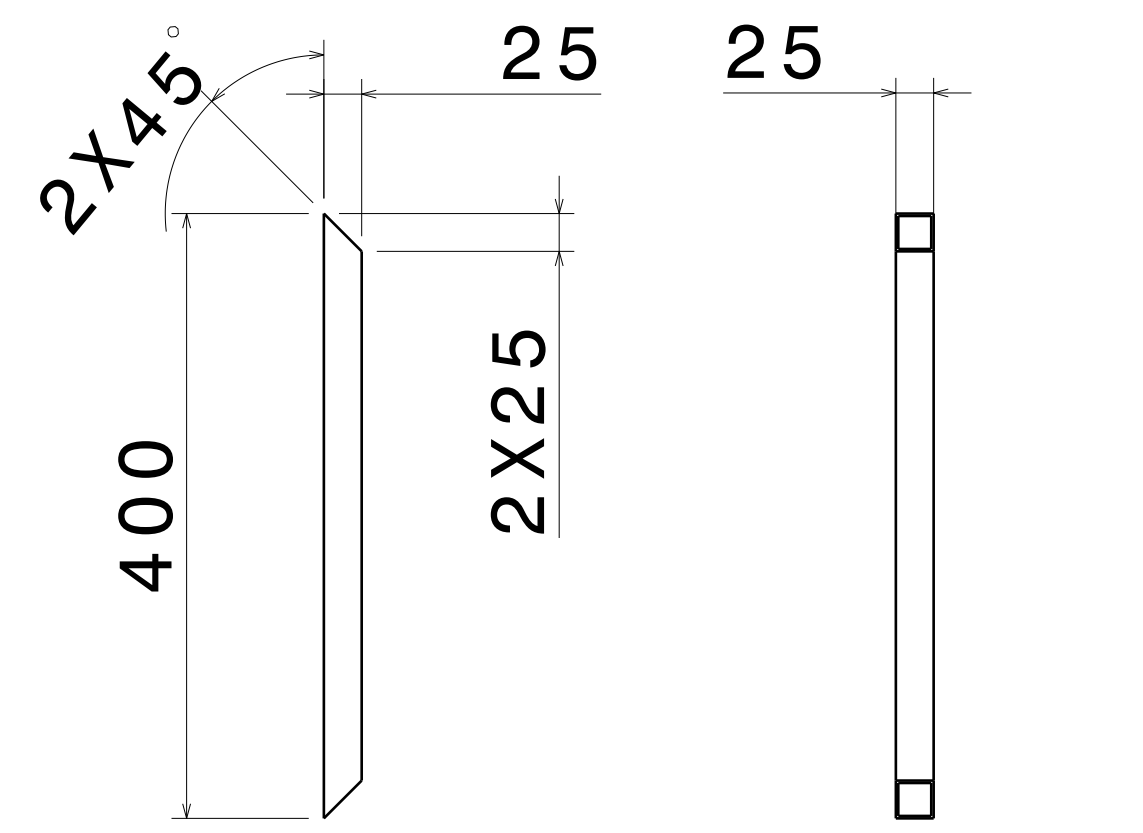
FRONT VIEW
SCALE: 1:5



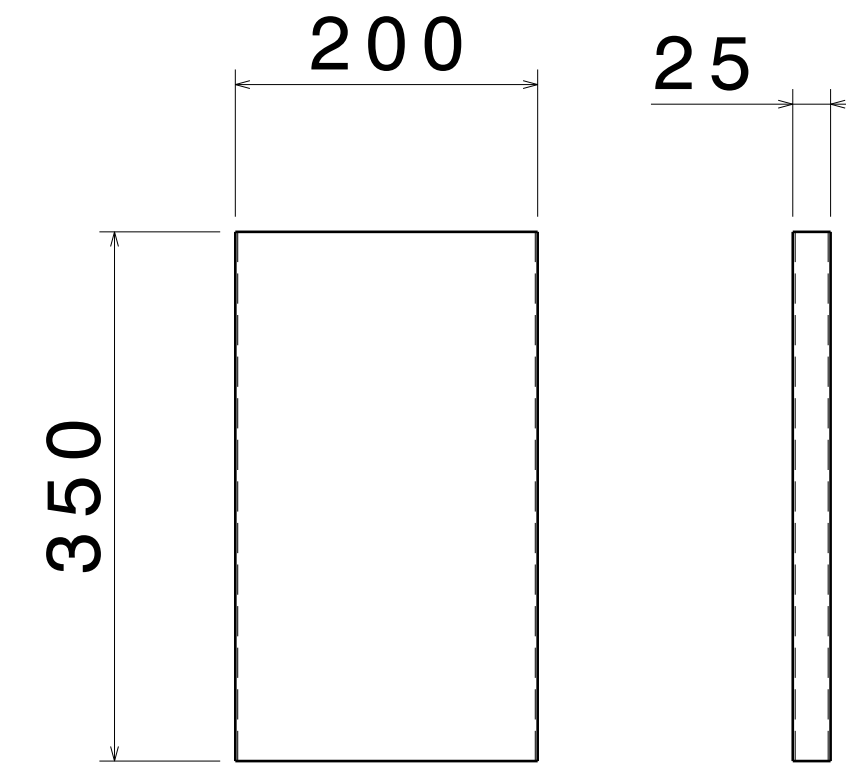
RIGHT VIEW
SCALE: 1:5

This drawing is our property. It can't be reproduced or communicated without our written agreement. www.p2p.ind.in		APL APOLLO TUBES LTD. 	
DRAWN BY SB		DRAWING TITLE SHELF 1	
CHECKED BY P2P Analysis & Solutions		DATE 01APR2021	
DESIGNED BY P2P Analysis & Solutions		DATE 01APR2021	
UNLESS OTHERWISE SPECIFIED DIMENSION ARE IN MM	VIEW: THIRD ANGLE PROJECTION	SCALE	REV
		NONE	00
		WEIGHT (kg)	
		XXX	
			SHEET 2 OF 3

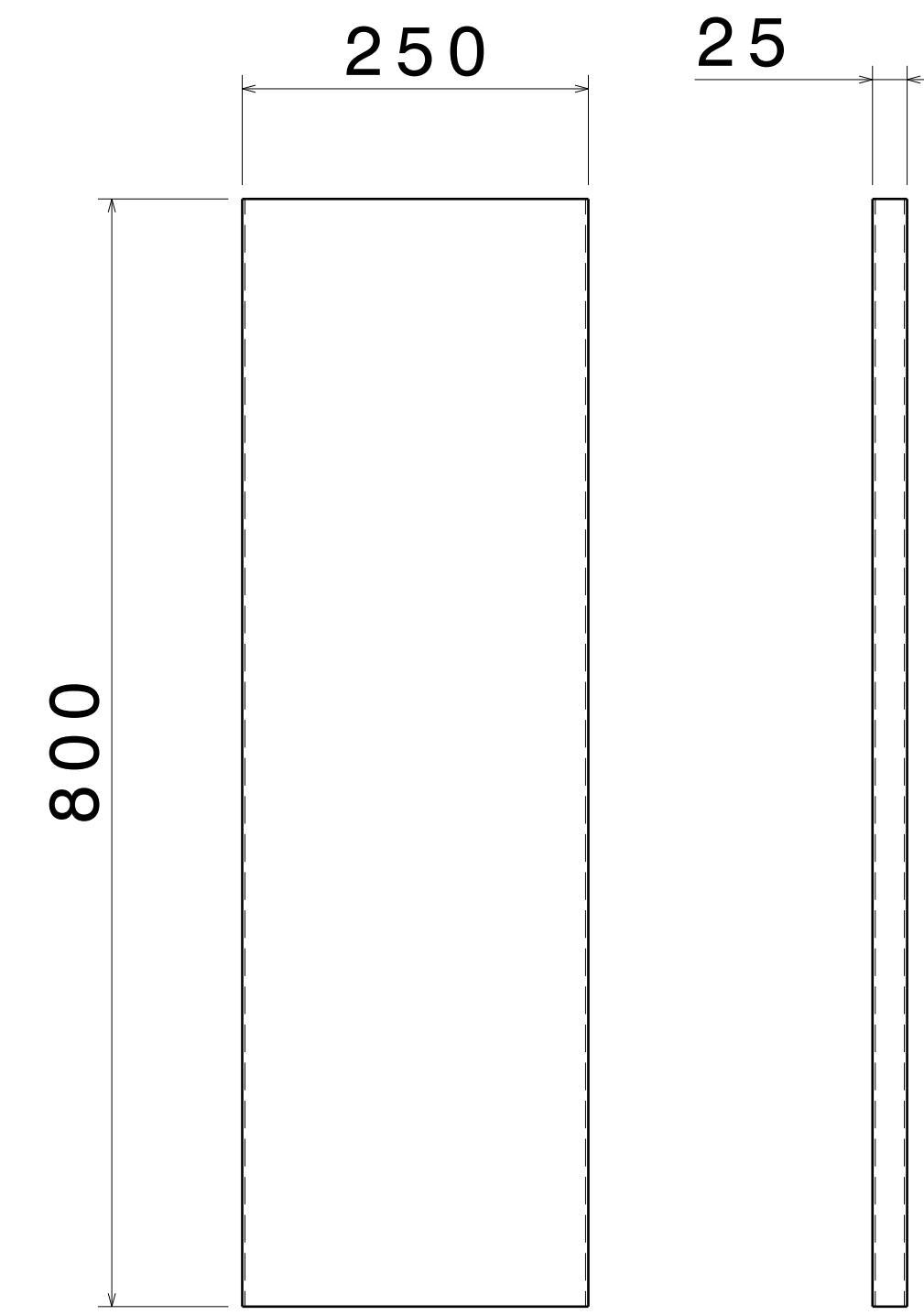
REV	DATE	DESCRIPTION
00	01APR2021	INITIAL REVISION



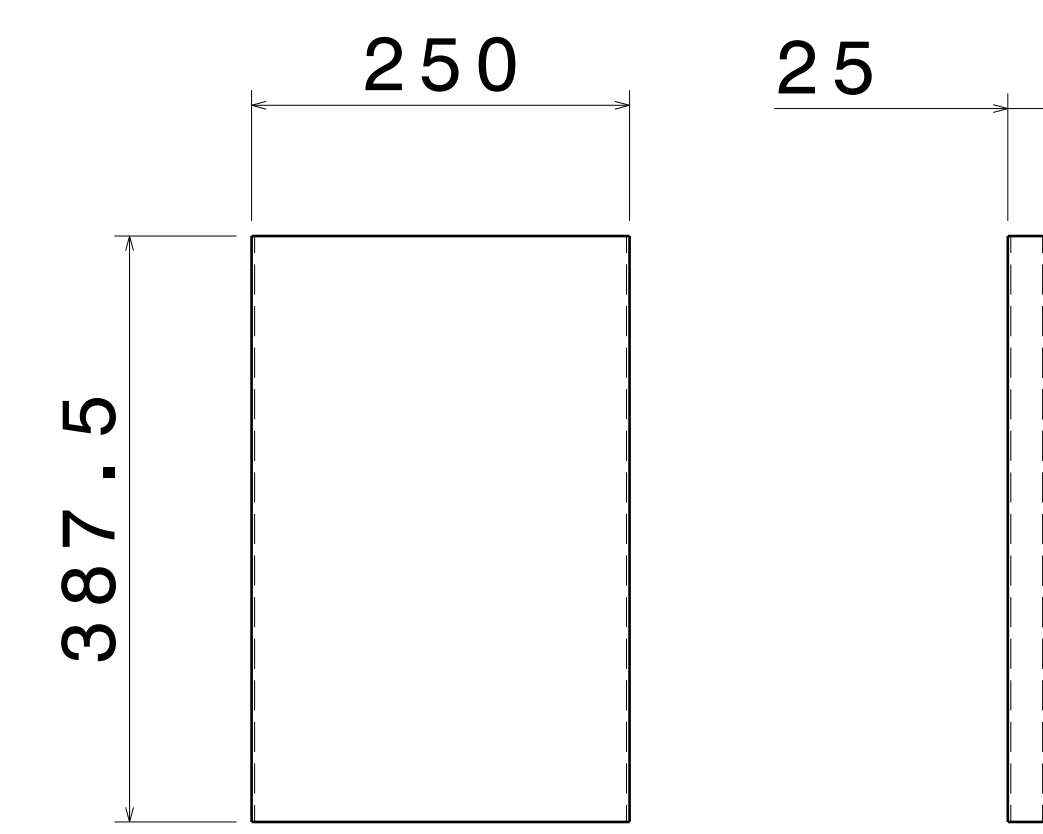
FRONT VIEW RIGHT VIEW
SCALE: 1:5 SCALE: 1:5
ITEM 1, SHS FRAME 1
THICKNESS - 1.6MM



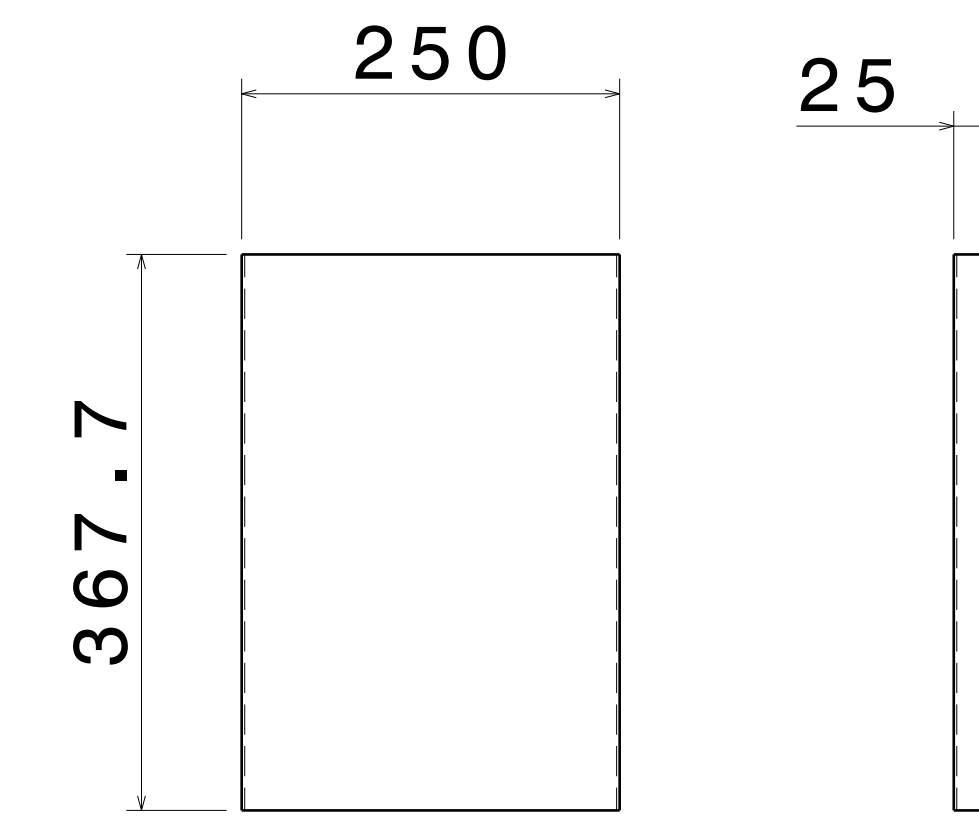
FRONT VIEW RIGHT VIEW
SCALE: 1:5 SCALE: 1:5
ITEM 2, RHS PLANK 1
THICKNESS - 1.6MM



FRONT VIEW RIGHT VIEW
SCALE: 1:5 SCALE: 1:5
ITEM 3, RHS PLANK 2
THICKNESS - 1.6MM



FRONT VIEW RIGHT VIEW
SCALE: 1:5 SCALE: 1:5
ITEM 4, RHS PLANK 3
THICKNESS - 1.6MM



FRONT VIEW RIGHT VIEW
SCALE: 1:5 SCALE: 1:5
ITEM 5, RHS PLANK 4
THICKNESS - 1.6MM

UNLESS OTHERWISE SPECIFIED DIMENSION ARE IN MM
VIEWS: THIRD ANGLE PROJECTION

This drawing is our property. It can't be reproduced or communicated without our written agreement.
www.p2p.ind.in

DRAWN BY	SB	DATE	01APR2021
CHECKED BY	P2P Analysis & Solutions	DATE	01APR2021
DESIGNED BY	P2P Analysis & Solutions	DATE	01APR2021

APL APOLLO TUBES LTD.	
DRAWING TITLE	
SHELF 1	
SIZE	A0
DRAWING NUMBER	P2P APR 21-01
REV	00
SCALE	NONE
WEIGHT (kg)	XXX
SHEET 3 OF 3	