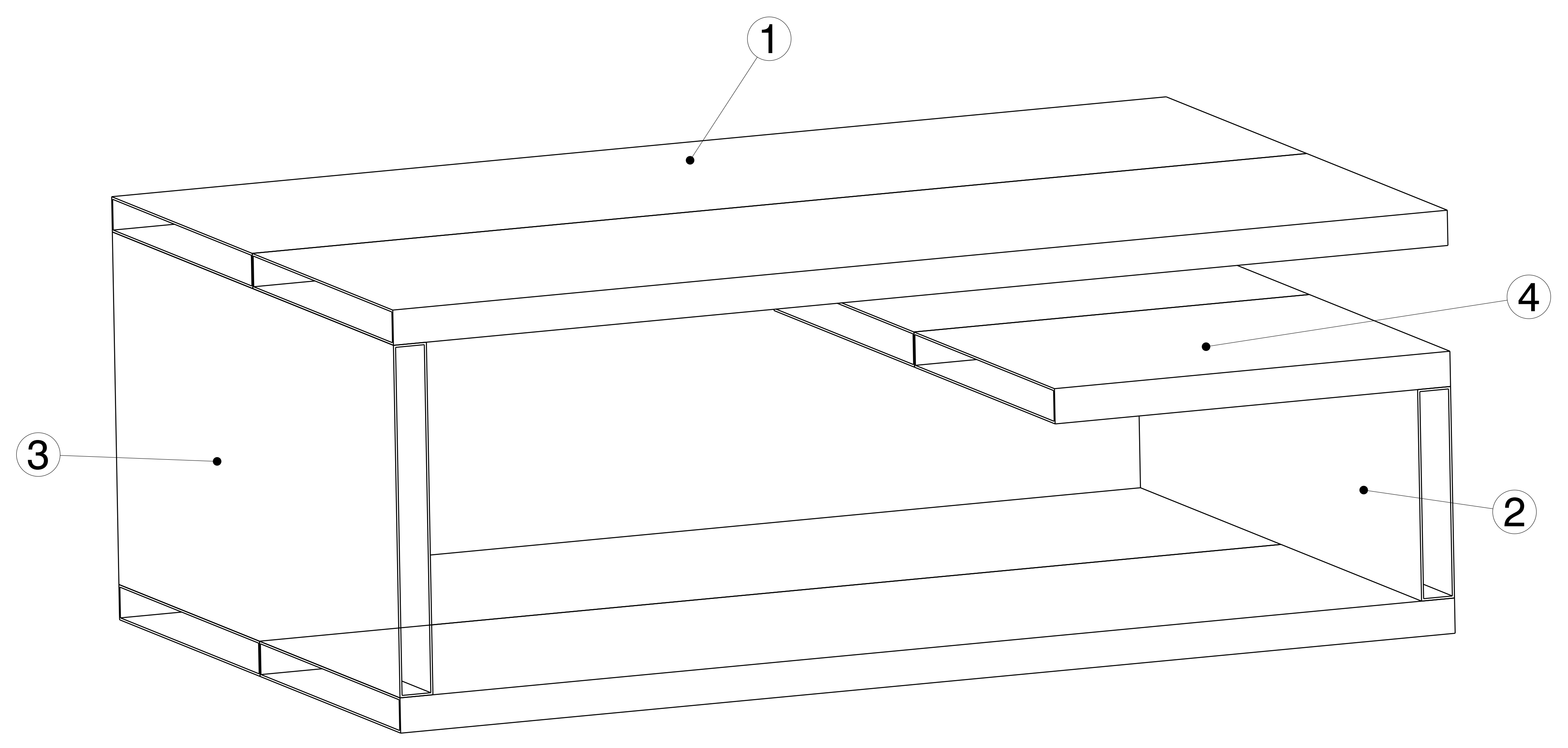


REV	DATE	DESCRIPTION
00	10APR2021	INITIAL REVISION

- NOTES:
1. (⊥) ALL VERTICAL SUPPORTS ARE PERPENDICULAR.
  2. □ FLATNESS OF .5MM IS APPLIED BY DEFAULT.
  3. ⚡ WELD BEAD OF 2MM RADIUS IS FOLLOWED.
  4. ∇ SURFACE FINISH MEDIUM TO SMOOTH IS USED.
  5. ALL TUBES ARE AS PER APL APOLLO STANDARD. CHANGES MAY EFFECT THE LOAD CAPACITY.
  6. ALL HORIZONTAL AND VERTICAL TUBES ARE PERPENDICULAR TO EACH OTHER WITH ±1 DEG.
  7. FINE WELDING IS REQUIRED AS PER MENTIONED DETAILS AND FINISHING.
  8. HIGHER CURRENT WELDING MAY AFFECT THE BRITTLINESS OF MATERIAL WHICH LATER MAY RAISE TO WEAKENING OF STRUCTURE.
  9. FABRICATORS ARE ALLOWED TO USE FITTINGS/FRAMES/SUPPORTS AS NEEDED AND THE SAME MUST BE COMMUNICATED BACK TO ENGINEERING TEAM.
  10. BOP COMPONENT WEIGHTS ARE FOR REFERENCE ONLY AND SUBJECTED TO CHANGE PER PURCHASED COMPONENTS.



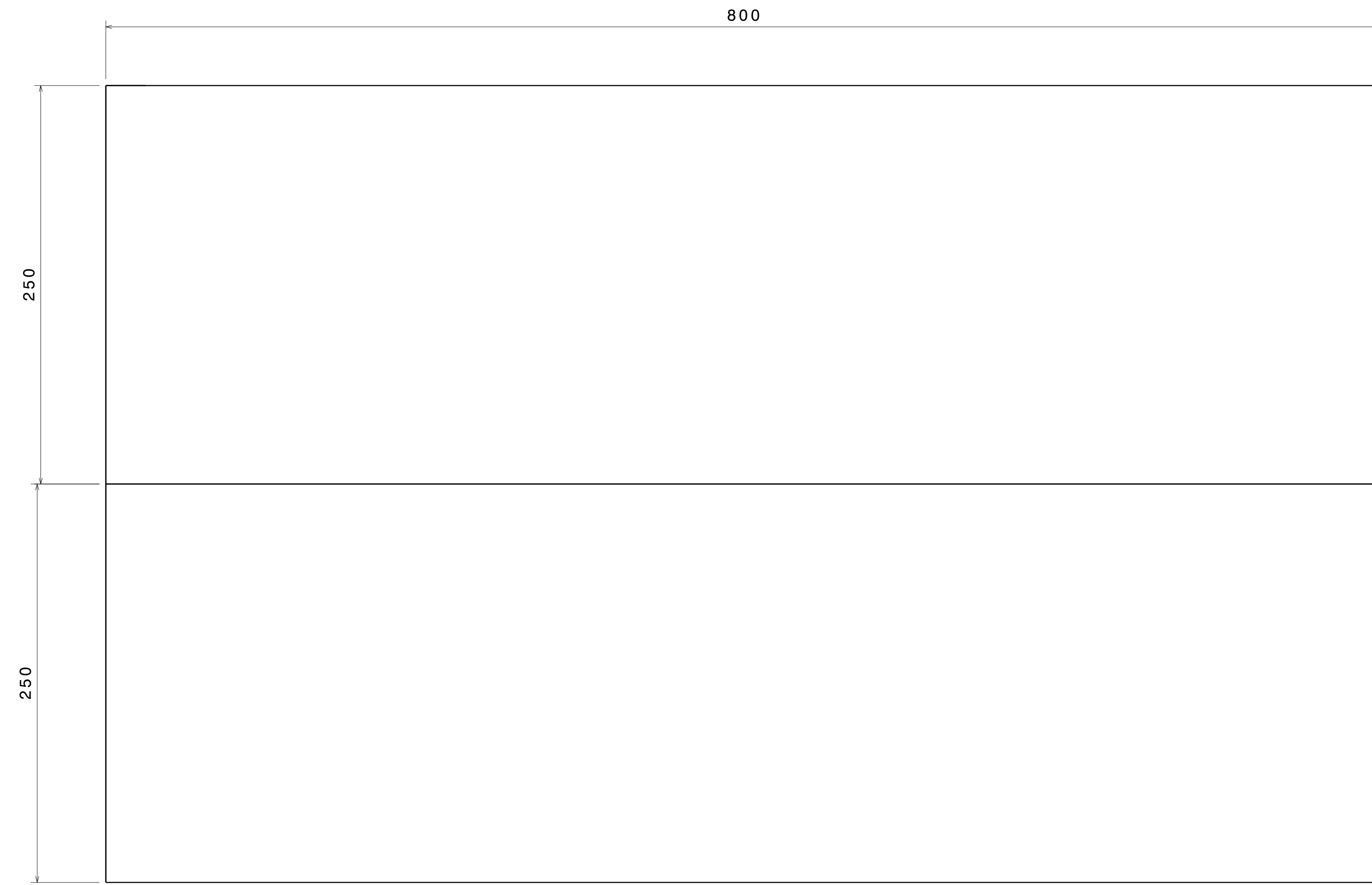
Isometric view  
Scale: 1:2

ITEM NO.	PART NUMBER	DESCRIPTION	QTY.	Wt (Kg) /Each
4	PLANK 4	250 X 25 X 1.6 X 300	2	0.25
3	PLANK 3	250 X 25 X 1.6 X 500	1	0.45
2	PLANK 2	150 X 25 X 1.6 X 500	1	0.30
1	PLANK 1	250 X 25 X 1.6 X 800	4	0.70

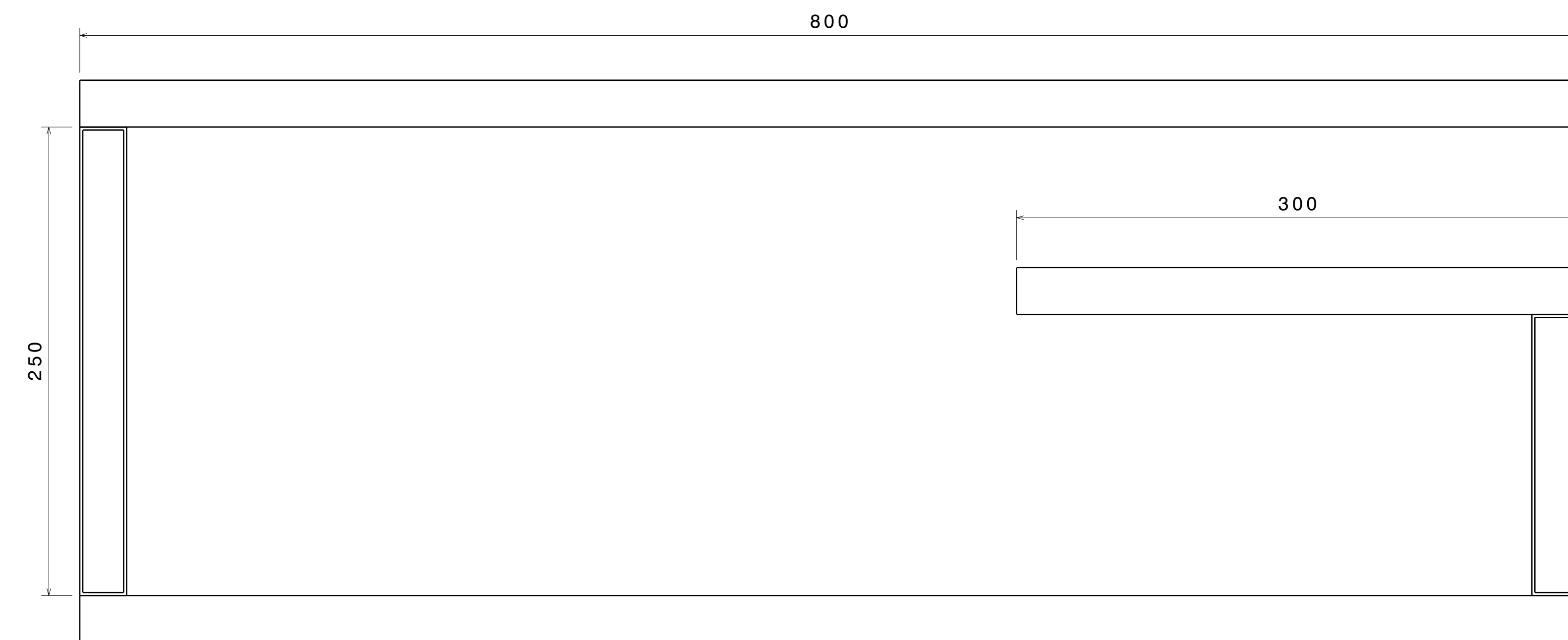
  

This drawing is our property. It can't be reproduced or communicated without our written agreement. www.p2p.ind.in		<b>APL APOLLO TUBES LTD.</b>	
DRAWN BY: RR CHECKED BY: P2P Analysis & Solutions DESIGNED BY: P2P Analysis & Solutions		DATE: 10APR2021 DATE: 10APR2021 DATE: 10APR2021	
UNLESS OTHERWISE SPECIFIED DIMENSION ARE IN MM VIEWS: THIRD ANGLE PROJECTION		DRAWING TITLE: <b>TEAPOT</b> SIZE: A0 SCALE: As Indicated	
DRAWING NUMBER: <b>P2P APR 21-03</b>		REV: <b>00</b> WEIGHT (kg): 0kg SHEET 1 OF 3	

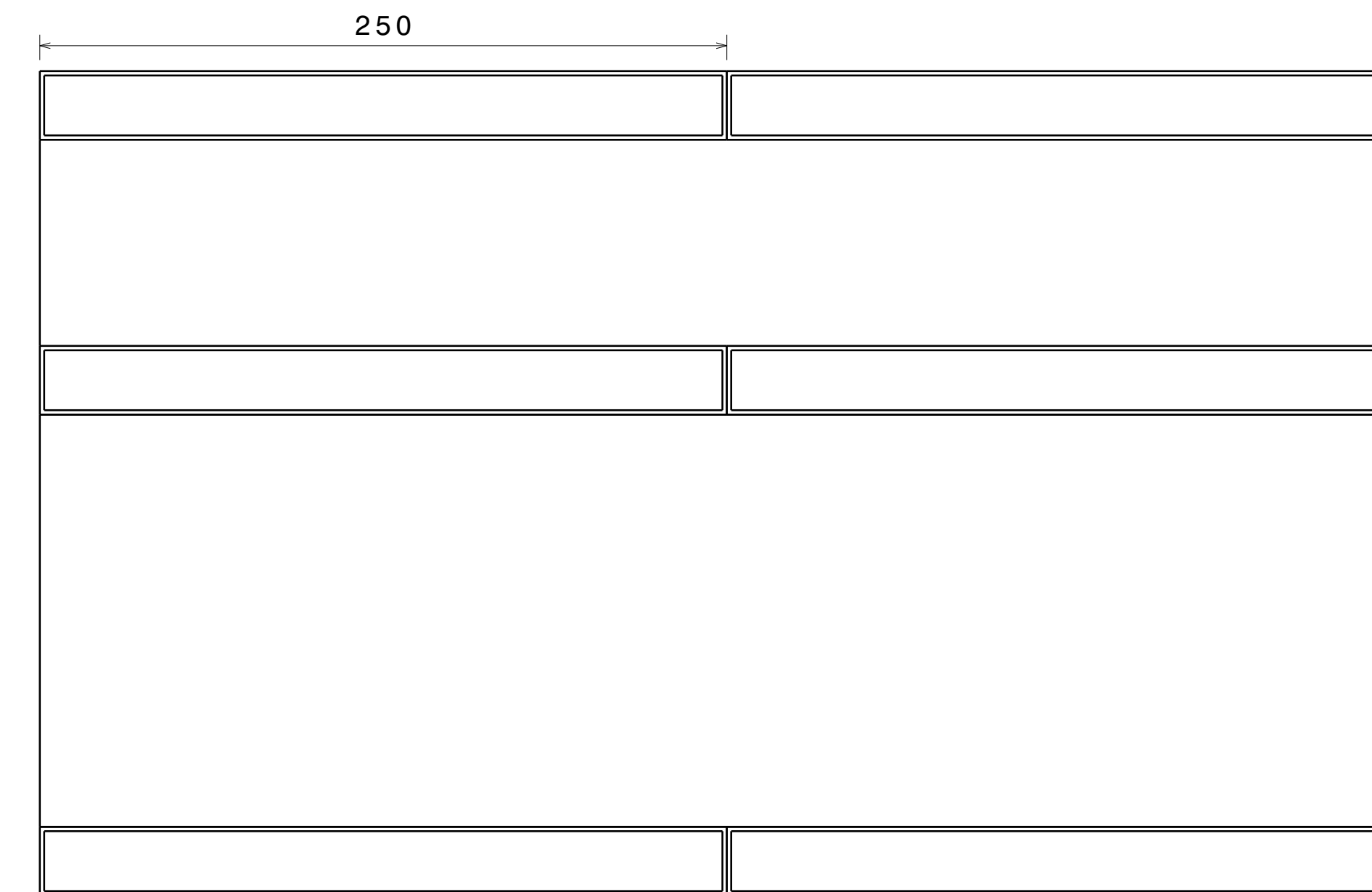
REV	DATE	DESCRIPTION
00	10APR2021	INITIAL REVISION



Top view  
Scale: 1:2



Front view  
Scale: 1:2



Right view  
Scale: 1:2

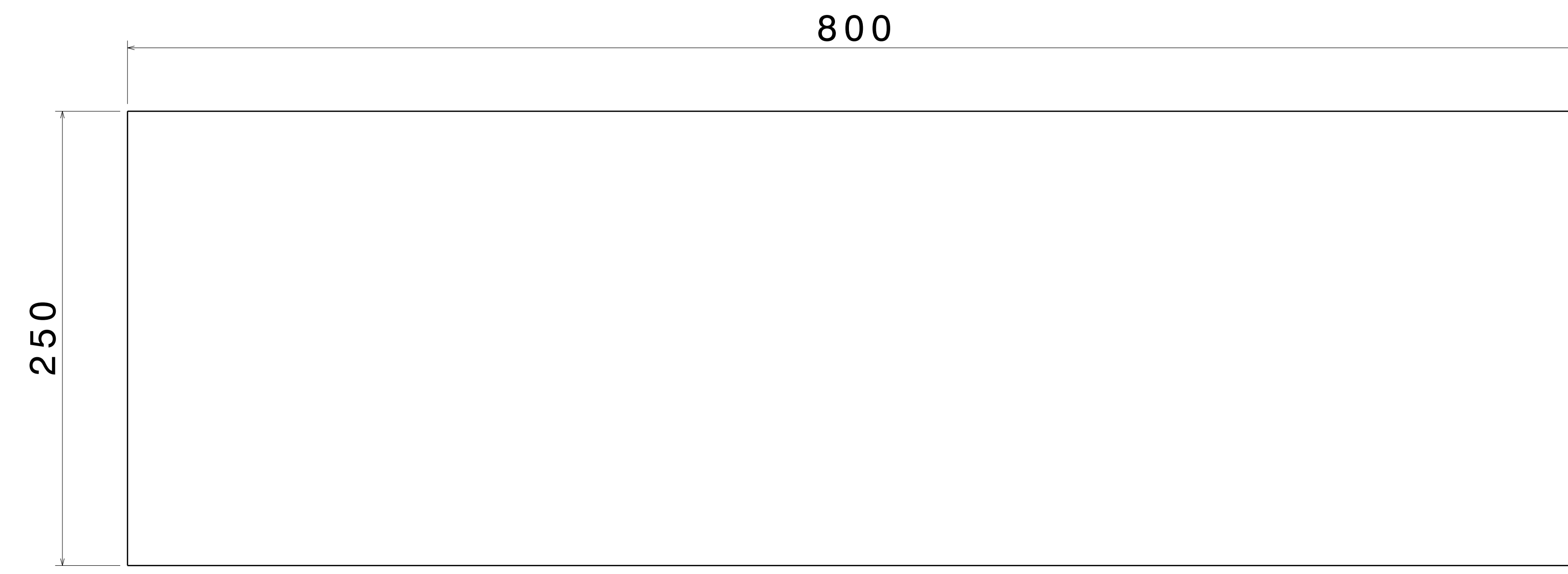
UNLESS OTHERWISE SPECIFIED DIMENSION ARE IN MM  
VIEWS: THIRD ANGLE PROJECTION

This drawing is our property. It can't be reproduced or communicated without our written agreement.  
www.p2p.ind.in

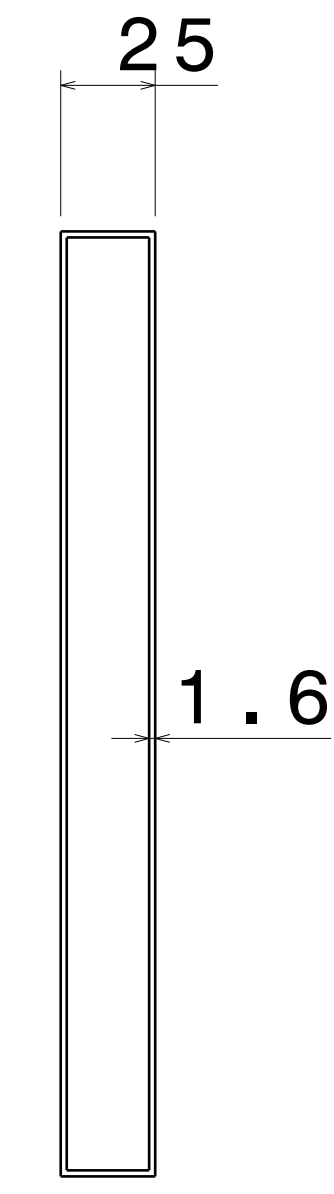
DRAWN BY	DATE
SB	10APR2021
CHECKED BY	DATE
P2P Analysis & Solutions	10APR2021
DESIGNED BY	DATE
P2P Analysis & Solutions	10APR2021

APL APOLLO TUBES LTD.	
DRAWING TITLE	
TEAPOT	
SIZE	DRAWING NUMBER
A0	P2P_APR_21-03
SCALE	WEIGHT (kg)
NONE	XXX
REV	SHEET 2 OF 3
00	

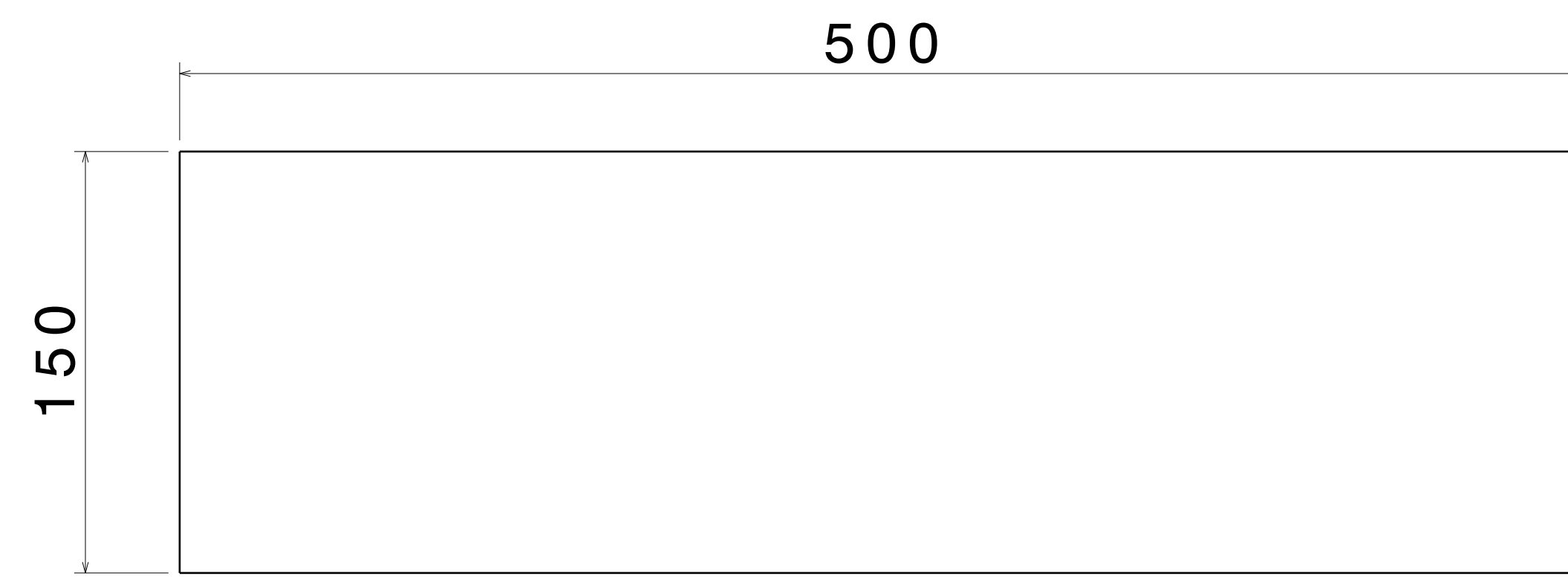
REV	DATE	DESCRIPTION
00	10APR2021	INITIAL REVISION



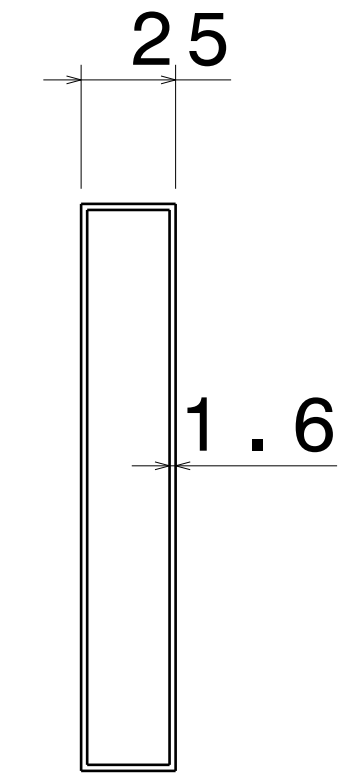
ITEM 1



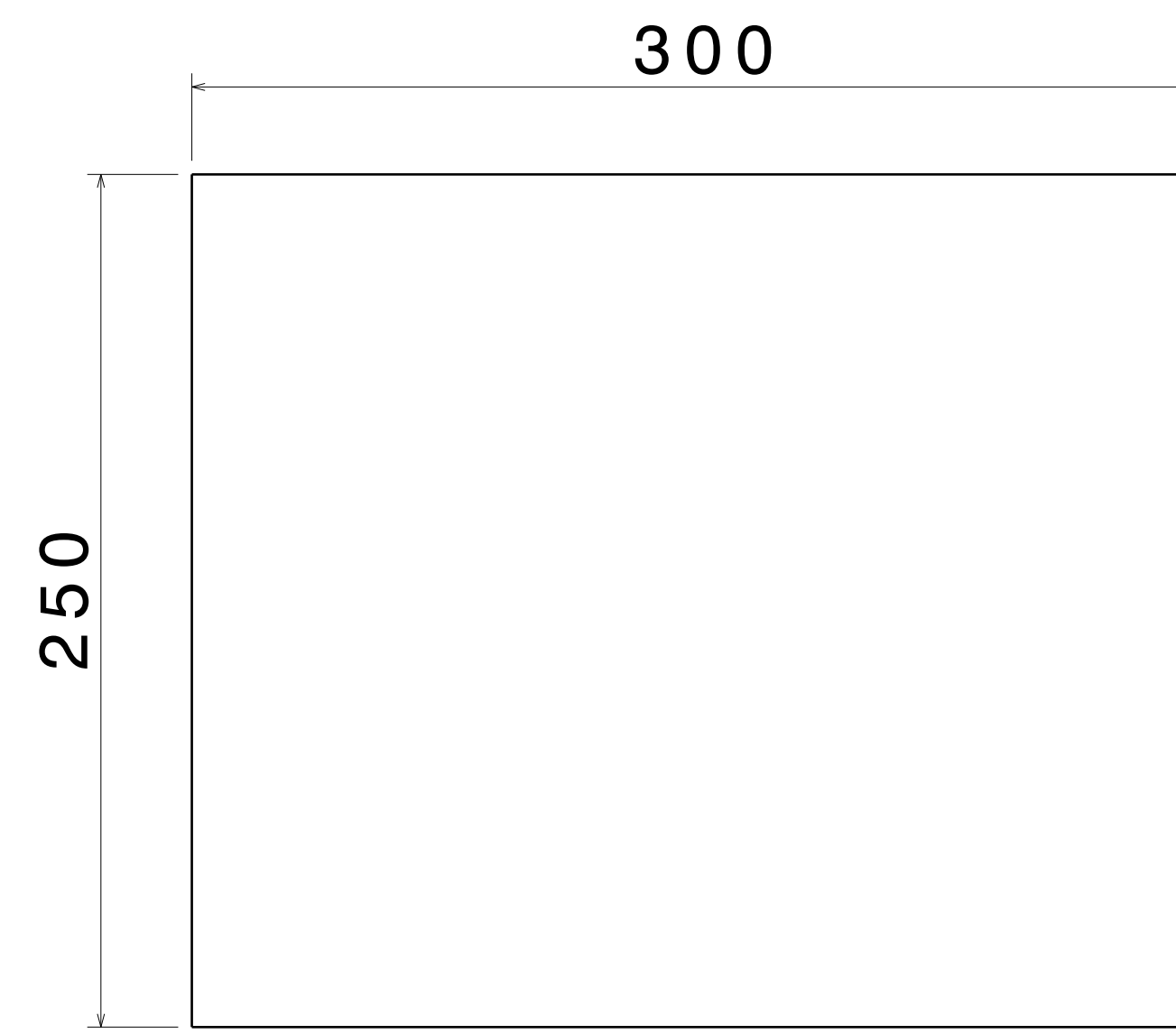
Right view  
Scale: 1:2



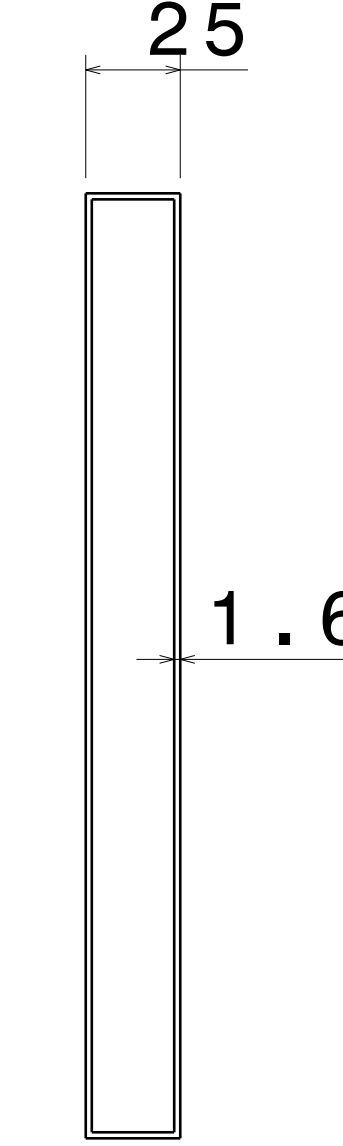
ITEM 2



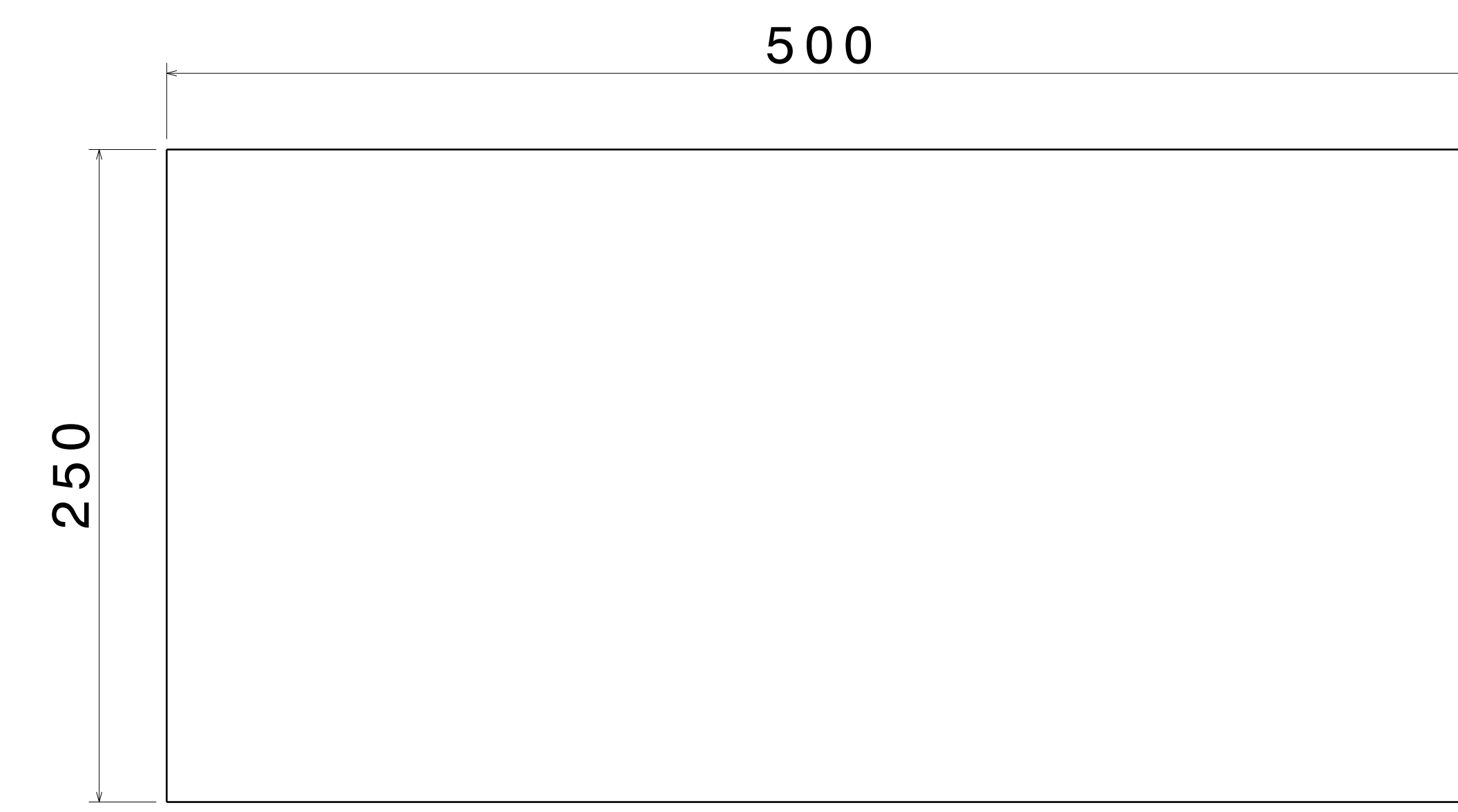
Right view  
Scale: 1:2



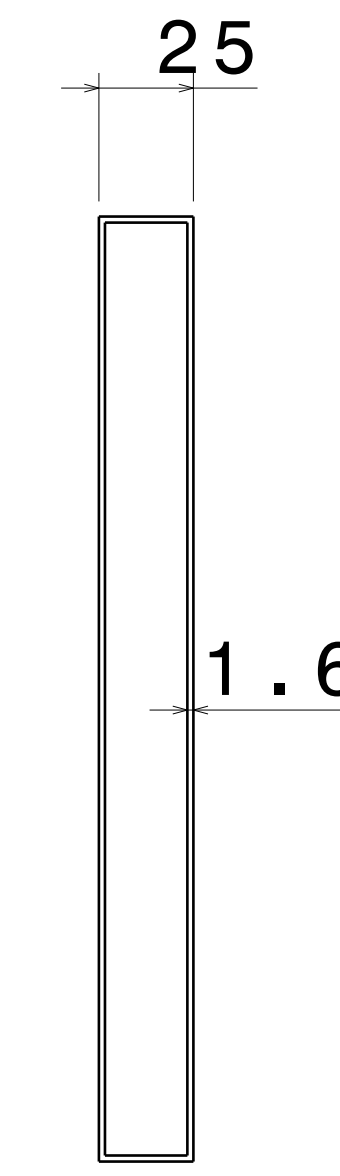
ITEM 4



Right view  
Scale: 1:2



ITEM 3



Right view  
Scale: 1:2

UNLESS OTHERWISE SPECIFIED DIMENSION ARE IN MM VIEWS: THIRD ANGLE PROJECTION

This drawing is our property. It can't be reproduced or communicated without our written agreement. www.p2p.ind.in

DRAWN BY	DATE
SB	10APR2021
CHECKED BY	DATE
P2P Analysis & Solutions	10APR2021
DESIGNED BY	DATE
P2P Analysis & Solutions	10APR2021

APL APOLLO TUBES LTD.	
DRAWING TITLE	
TEAPOT	
SIZE	DRAWING NUMBER
A0	P2P APR 21-03
SCALE	WEIGHT (kg)
NONE	XXX
REV	SHEET 3 OF 3
00	