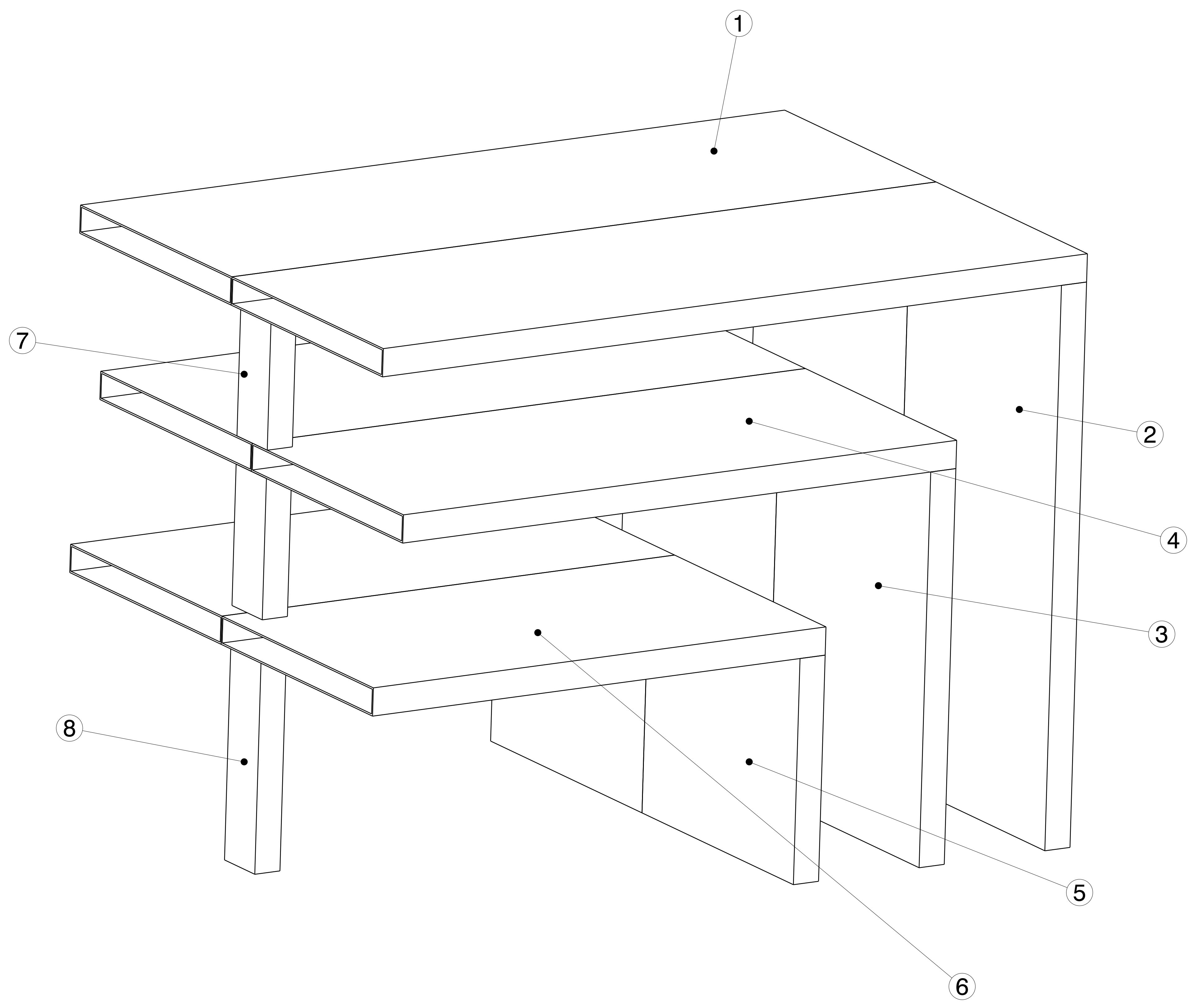


REV	DATE	DESCRIPTION
00	15APR2021	INITIAL REVISION

- NOTES:
- (⊥) ALL VERTICAL SUPPORTS ARE PERPENDICULAR.
  - FLATNESS OF .5MM IS APPLIED BY DEFAULT.
  - ⊲ WELD BEAD OF 2MM RADIUS IS FOLLOWED.
  - ▽▽ SURFACE FINISH MEDIUM TO SMOOTH IS USED.
  - ALL TUBES ARE AS PER APL APOLLO STANDARD. CHANGES MAY EFFECT THE LOAD CAPACITY.
  - ALL HORIZONTAL AND VERTICAL TUBES ARE PERPENDICULAR TO EACH OTHER WITH ±1 DEG.
  - FINE WELDING IS REQUIRED AS PER MENTIONED DETAILS AND FINISHING.
  - HIGHER CURRENT WELDING MAY AFFECT THE BRITTLENESS OF MATERIAL WHICH LATER MAY RAISE TO WEAKENING OF STRUCTURE.
  - FABRICATORS ARE ALLOWED TO USE FITTINGS/FRAMES/SUPPORTS AS NEEDED AND THE SAME MUST BE COMMUNICATED BACK TO ENGINEERING TEAM.
  - BOP COMPONENT WEIGHTS ARE FOR REFERENCE ONLY AND SUBJECTED TO CHANGE PER PURCHASED COMPONENTS.



Isometric view  
Scale: 1:2

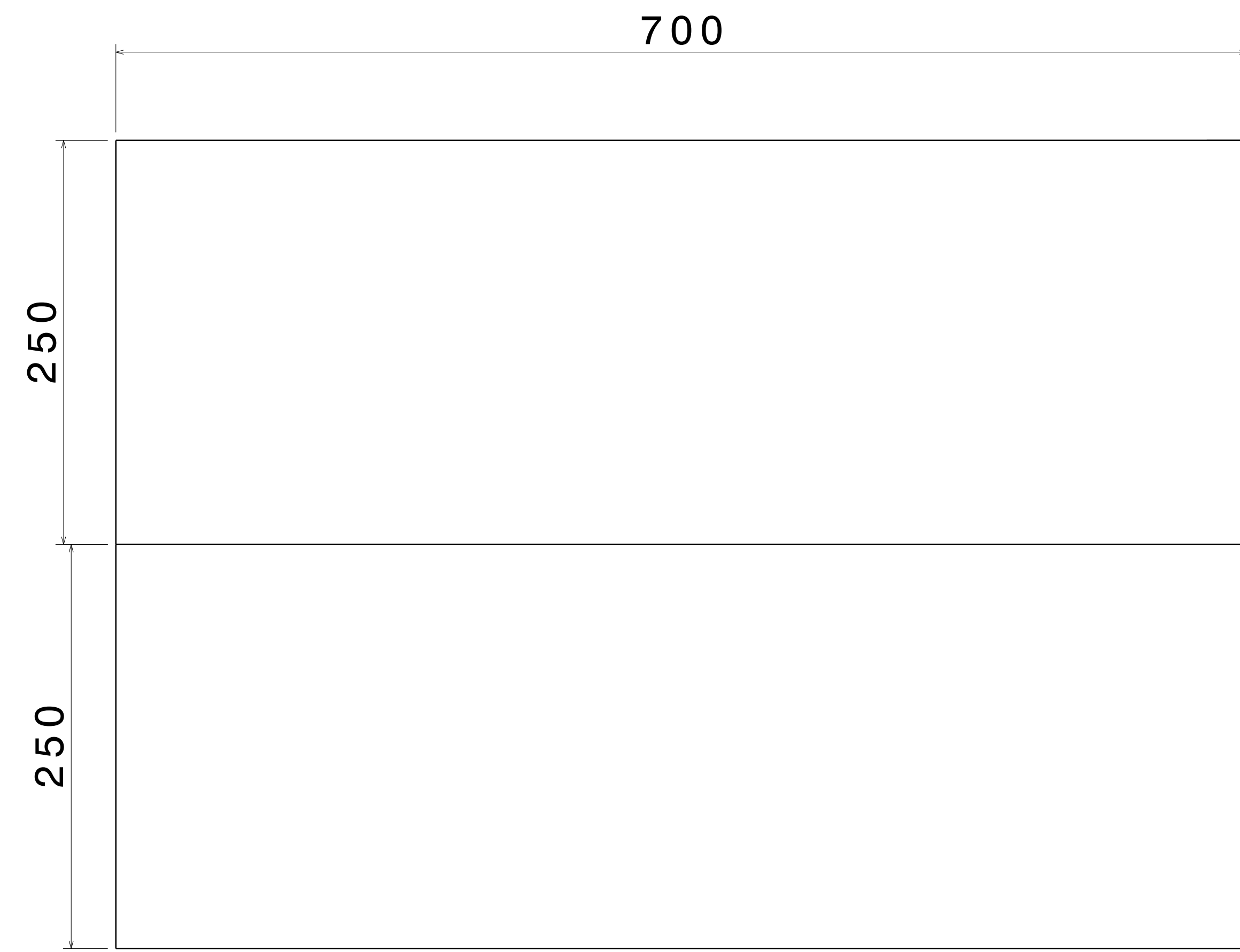
ITEM NO.	PART NUMBER	DESCRIPTION	QTY.	Wt (Kg)/Each
8	RHS FRAME 2	50 X 25 X 2 X 200	1	0.45
7	RHS FRAME 1	50 X 25 X 2 X 125	2	0.30
6	PLANK 6	250 X 25 X 1.6 X 450	2	3.10
5	PLANK 5	250 X 25 X 1.6 X 200	2	1.35
4	PLANK 4	250 X 25 X 1.6 X 550	2	3.75
3	PLANK 3	250 X 25 X 1.6 X 350	2	2.40
2	PLANK 2	250 X 25 X 1.6 X 500	2	3.40
1	PLANK 1	250 X 25 X 1.6 X 700	2	4.80

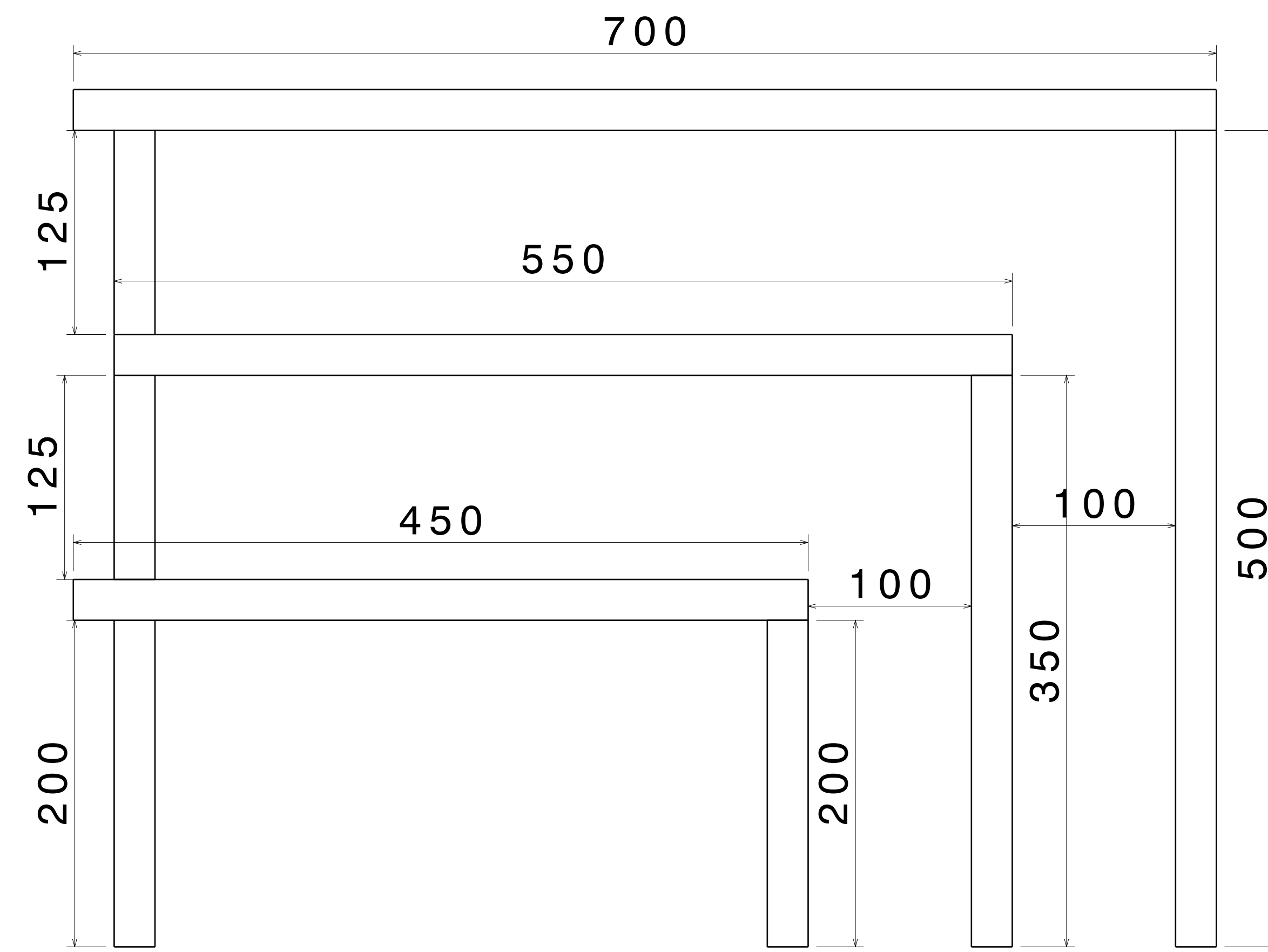
This drawing is our property. It can't be reproduced or communicated without our written agreement. www.p2p.ind.in		<b>APL APOLLO TUBES LTD.</b>	
DRAWN BY: RR CHECKED BY: P2P Analysis & Solutions DESIGNED BY: P2P Analysis & Solutions		DRAWING TITLE: <b>TEAPOT</b>	
DATE: 15APR2021		SIZE: A0	
DATE: 15APR2021		DRAWING NUMBER: P2P APR 21-04	
DATE: 15APR2021		SCALE: As Indicated	
		WEIGHT(kg) xxxx	
		SHEET 1 OF 3	

UNLESS OTHERWISE SPECIFIED DIMENSION ARE IN MM  
 VIEWS: THIRD ANGLE PROJECTION

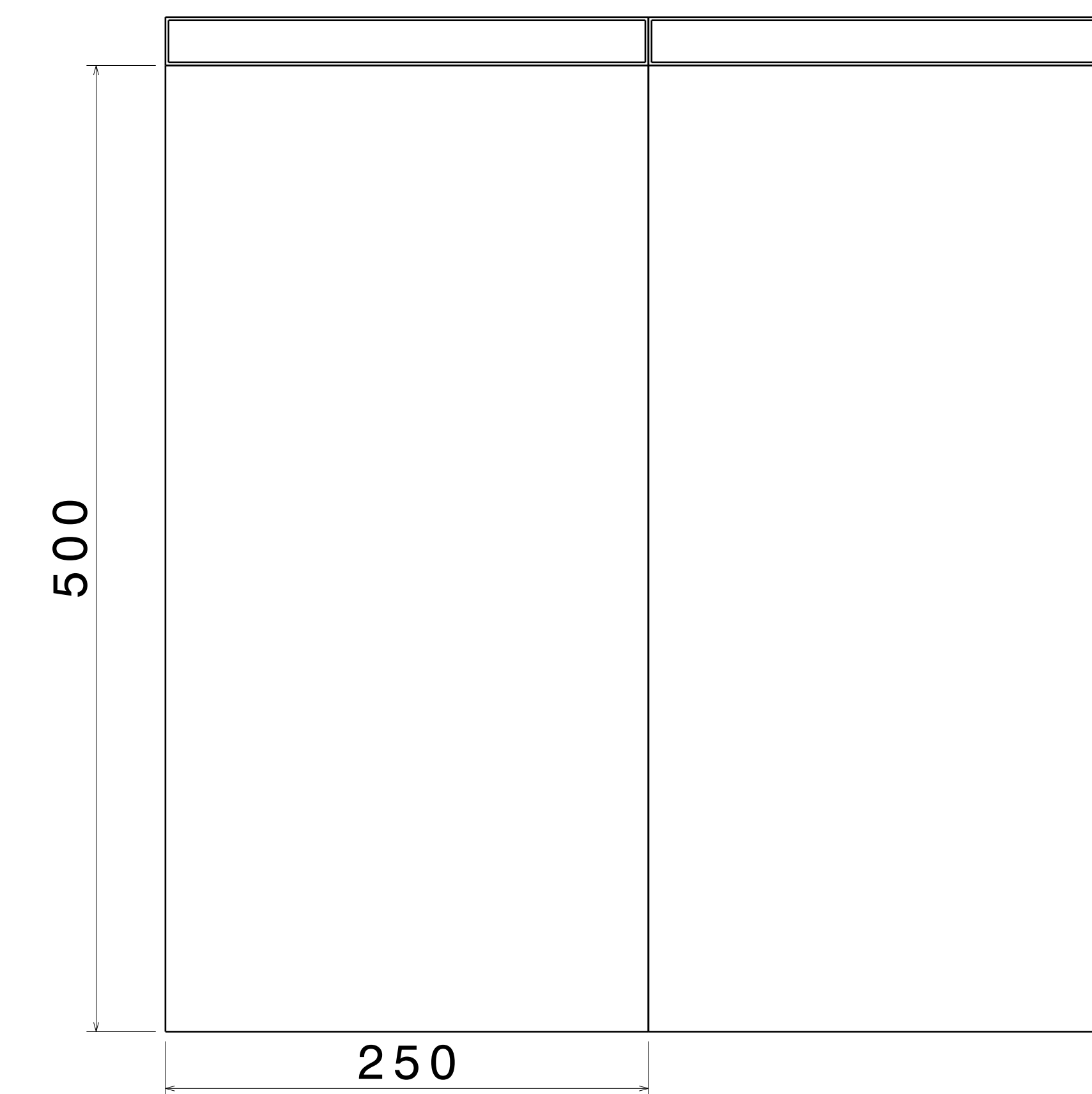
REV	DATE	DESCRIPTION
00	15APR2021	INITIAL REVISION



Top view  
Scale: 2:5



Front view  
Scale: 2:5



Right view  
Scale: 2:5

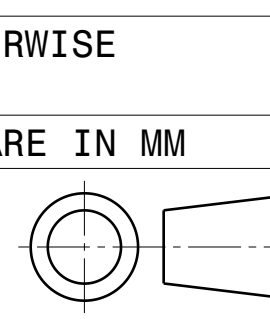
This drawing is our property. It can't be reproduced or communicated without our written agreement.  
www.p2p.ind.in

APL APOLLO TUBES LTD. 

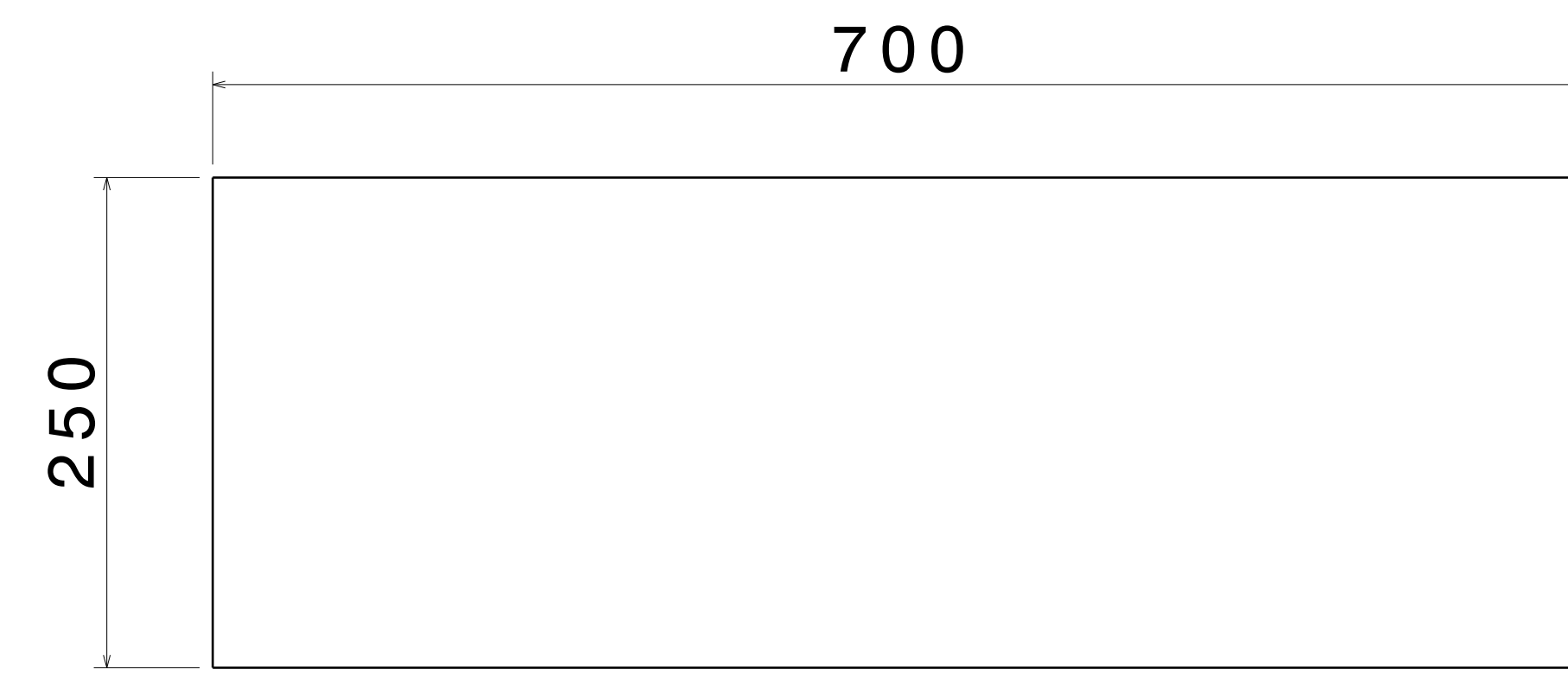
DRAWN BY	DATE
SB	15APR2021
CHECKED BY	DATE
P2P Analysis & Solutions	15APR2021
DESIGNED BY	DATE
P2P Analysis & Solutions	15APR2021

DRAWING TITLE			
TEAPOT			
SIZE	DRAWING NUMBER	REV	
A0	P2P APR 21-04	00	
SCALE	NONE	WEIGHT (kg)	XXX
			SHEET 2 OF 3

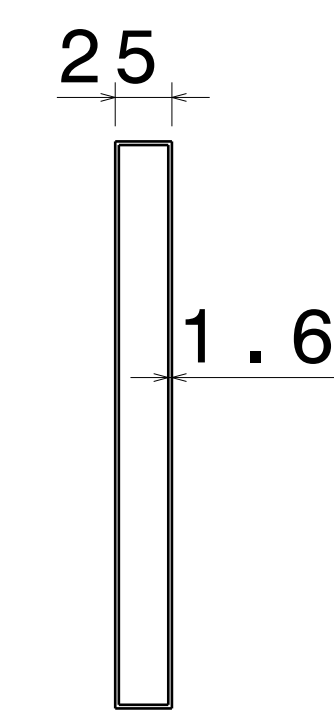
UNLESS OTHERWISE SPECIFIED DIMENSION ARE IN MM  
VIEWS: THIRD ANGLE PROJECTION



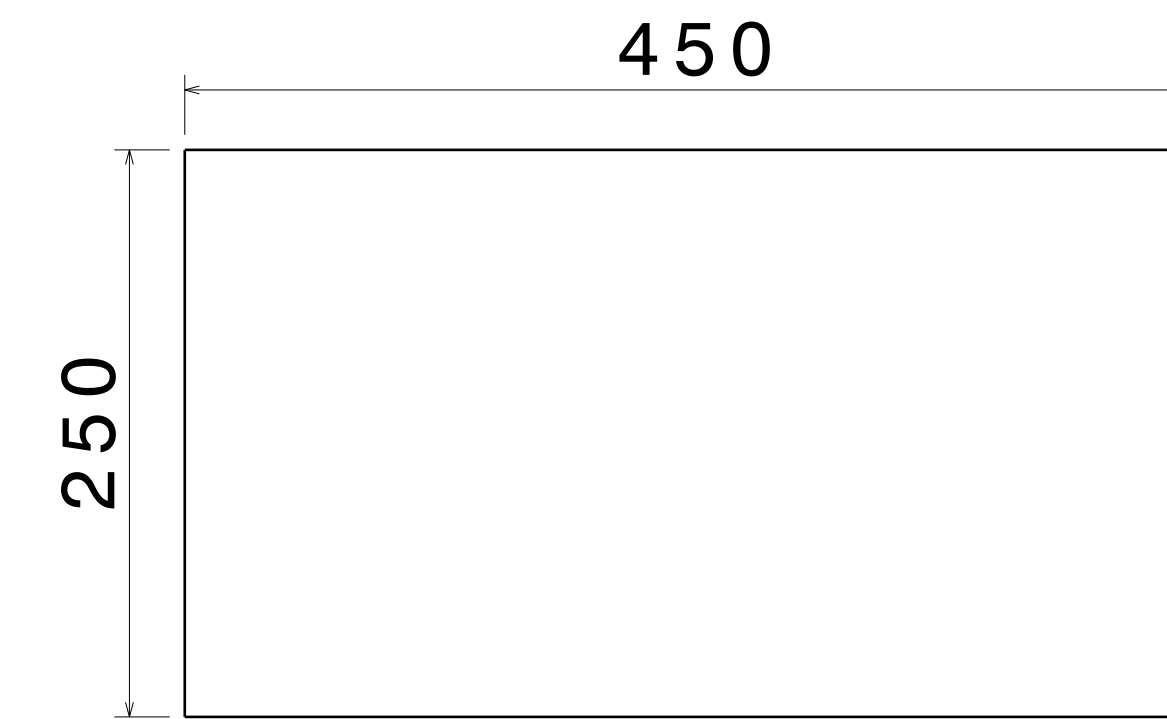
REV	DATE	DESCRIPTION
00	15APR2021	INITIAL REVISION



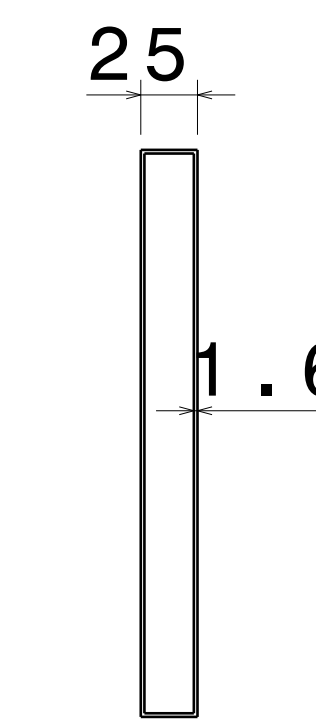
ITEM 1



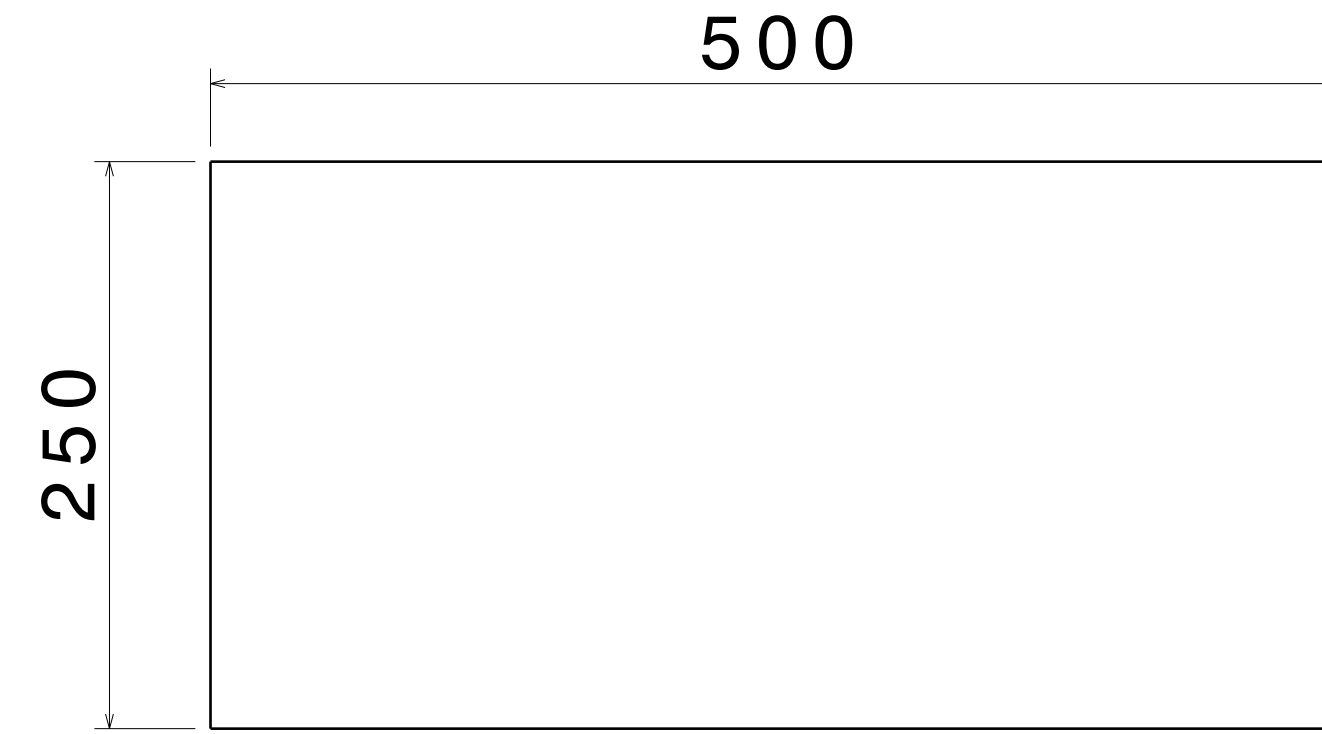
Right view  
Scale: 3:10



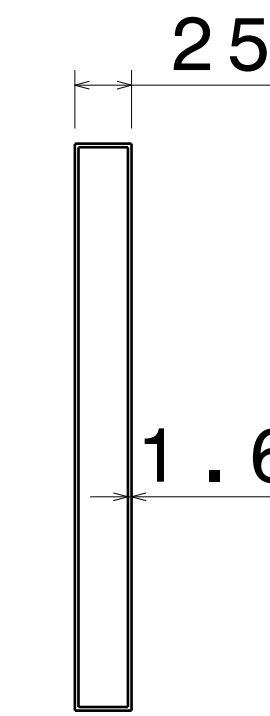
ITEM 6



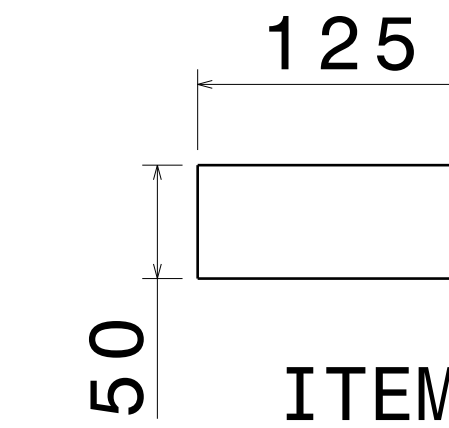
Right view  
Scale: 3:10



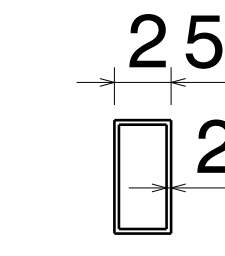
ITEM 2



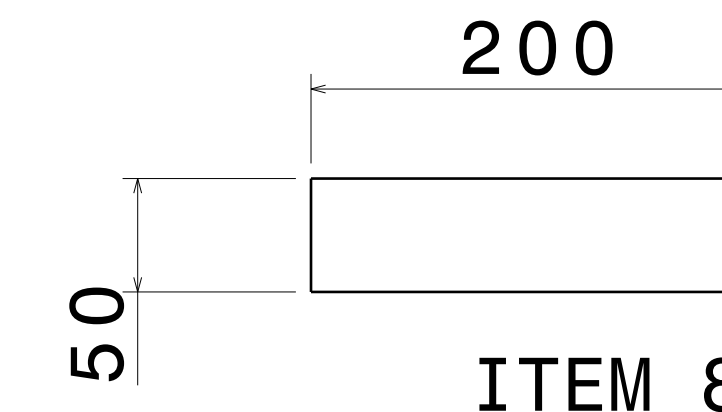
Right view  
Scale: 3:10



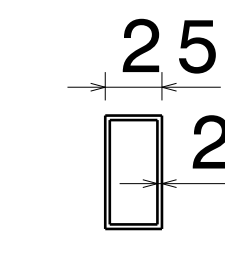
ITEM 7



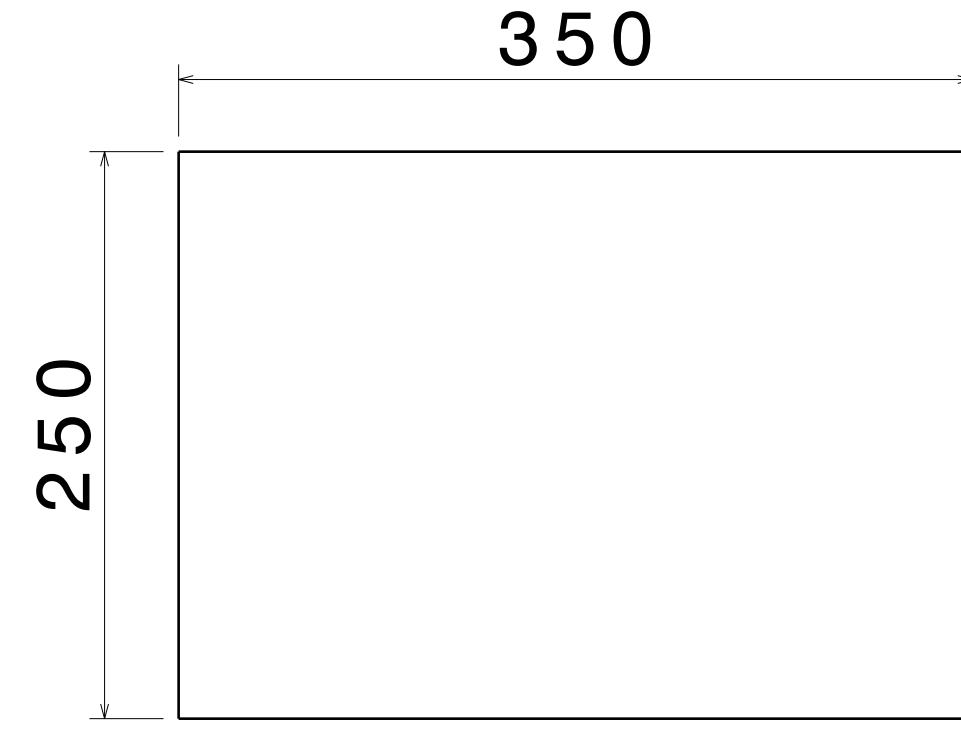
Right view  
Scale: 3:10



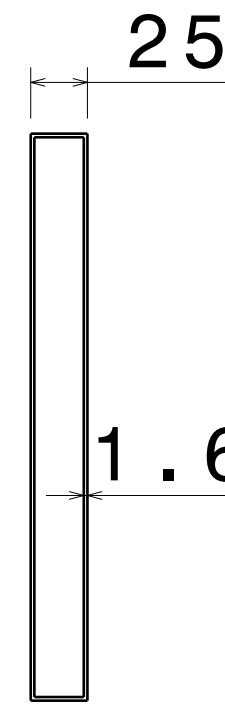
ITEM 8



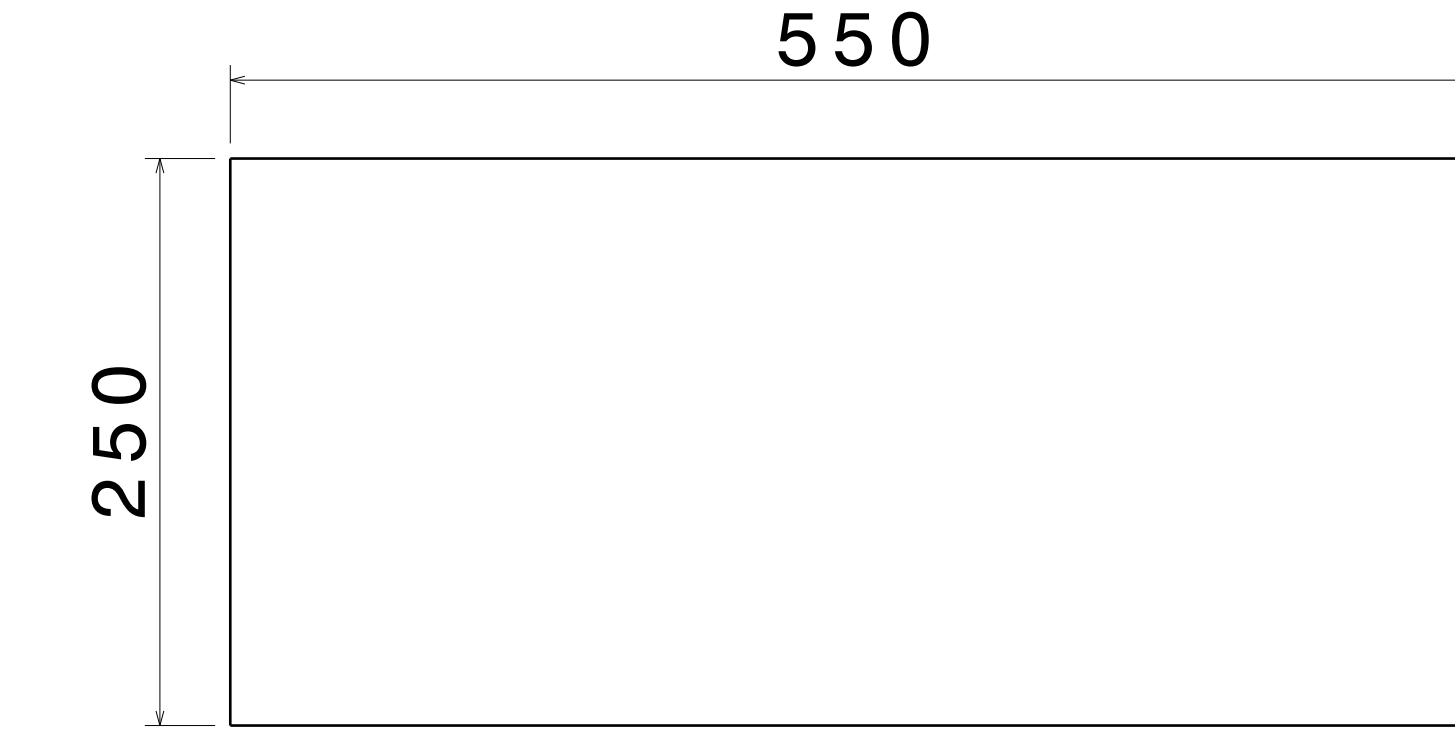
Right view  
Scale: 3:10



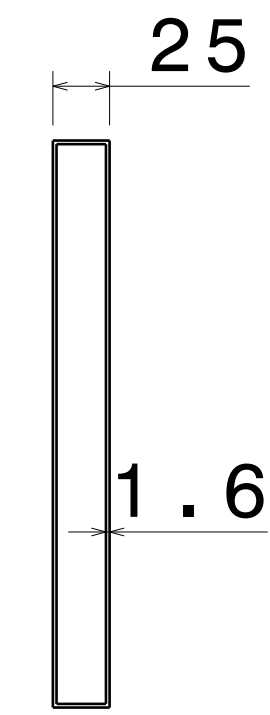
ITEM 3



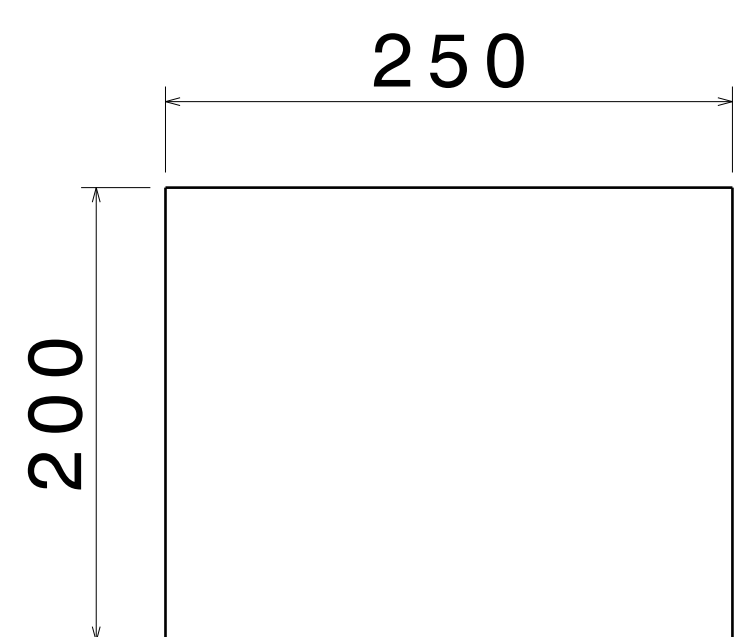
Right view  
Scale: 3:10



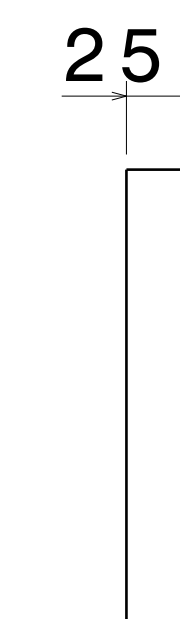
ITEM 4



Right view  
Scale: 3:10



ITEM 5



Right view  
Scale: 3:10

UNLESS OTHERWISE SPECIFIED DIMENSION ARE IN MM  
VIEWS: THIRD ANGLE PROJECTION

This drawing is our property. It can't be reproduced or communicated without our written agreement.  
www.p2p.ind.in

DRAWN BY	SB	DATE	15APR2021
CHECKED BY	P2P Analysis & Solutions	DATE	15APR2021
DESIGNED BY	P2P Analysis & Solutions	DATE	15APR2021

APL APOLLO TUBES LTD.	
DRAWING TITLE	
TEAPOT	
SIZE	A0
DRAWING NUMBER	P2P APR 21-04
REV	00
SCALE	NONE
WEIGHT (kg)	XXX
SHEET 3 OF 3	