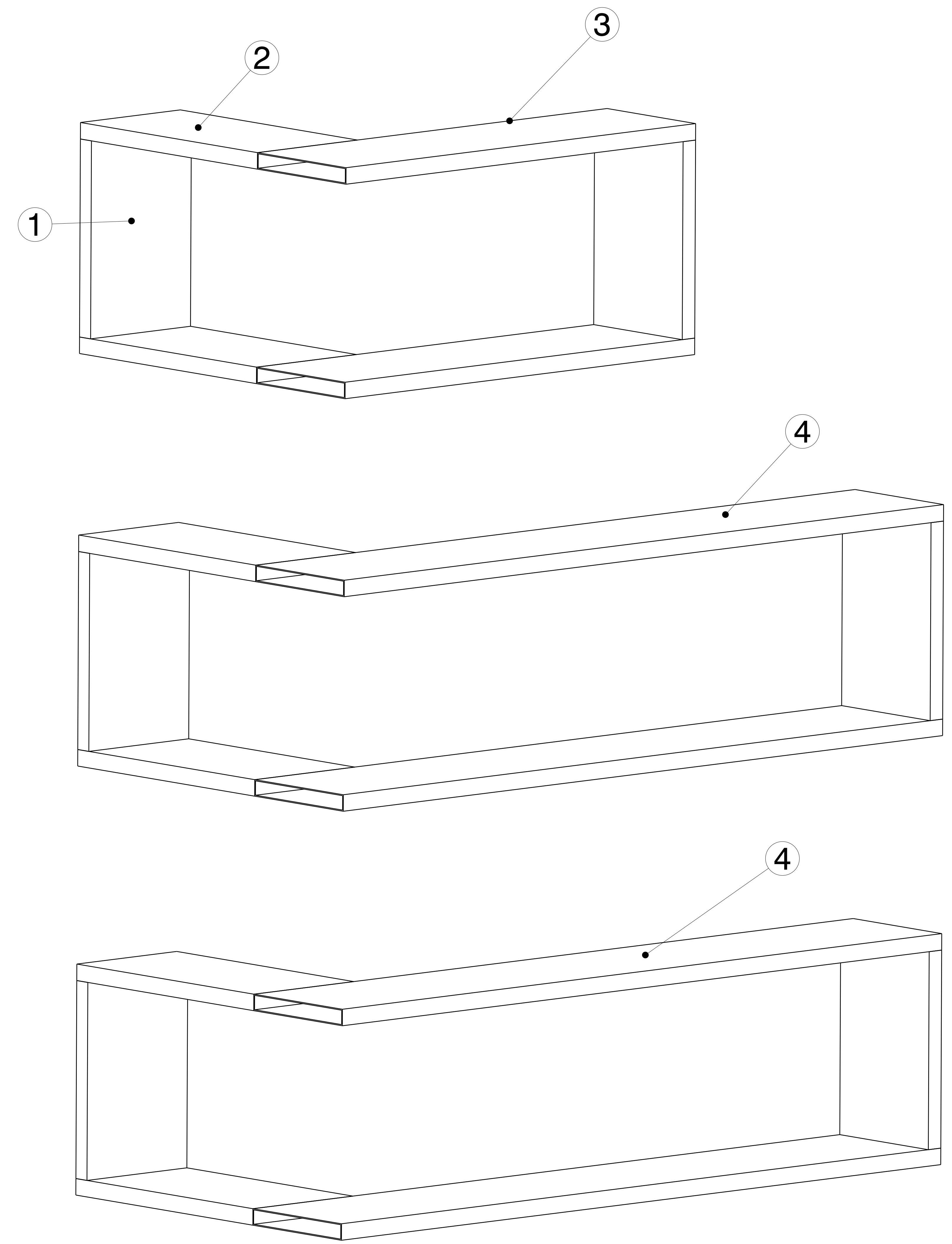


| REV | DATE      | DESCRIPTION      |
|-----|-----------|------------------|
| 00  | 07APR2021 | INITIAL REVISION |

- NOTES:
- (⊥) ALL VERTICAL SUPPORTS ARE PERPENDICULAR.
  - FLATNESS OF .5MM IS APPLIED BY DEFAULT.
  - ⊲ WELD BEAD OF 2MM RADIUS IS FOLLOWED.
  - ▽▽ SURFACE FINISH MEDIUM TO SMOOTH IS USED.
  - ALL TUBES ARE AS PER APL APOLLO STANDARD. CHANGES MAY EFFECT THE LOAD CAPACITY.
  - ALL HORIZONTAL AND VERTICAL TUBES ARE PERPENDICULAR TO EACH OTHER WITH ±1 DEG.
  - FINE WELDING IS REQUIRED AS PER MENTIONED DETAILS AND FINISHING.
  - HIGHER CURRENT WELDING MAY AFFECT THE BRITTLENESS OF MATERIAL WHICH LATER MAY RAISE TO WEAKENING OF STRUCTURE.
  - FABRICATORS ARE ALLOWED TO USE FITTINGS/FRAMES/SUPPORTS AS NEEDED AND THE SAME MUST BE COMMUNICATED BACK TO ENGINEERING TEAM.
  - BOP COMPONENT WEIGHTS ARE FOR REFERENCE ONLY AND SUBJECTED TO CHANGE PER PURCHASED COMPONENTS.



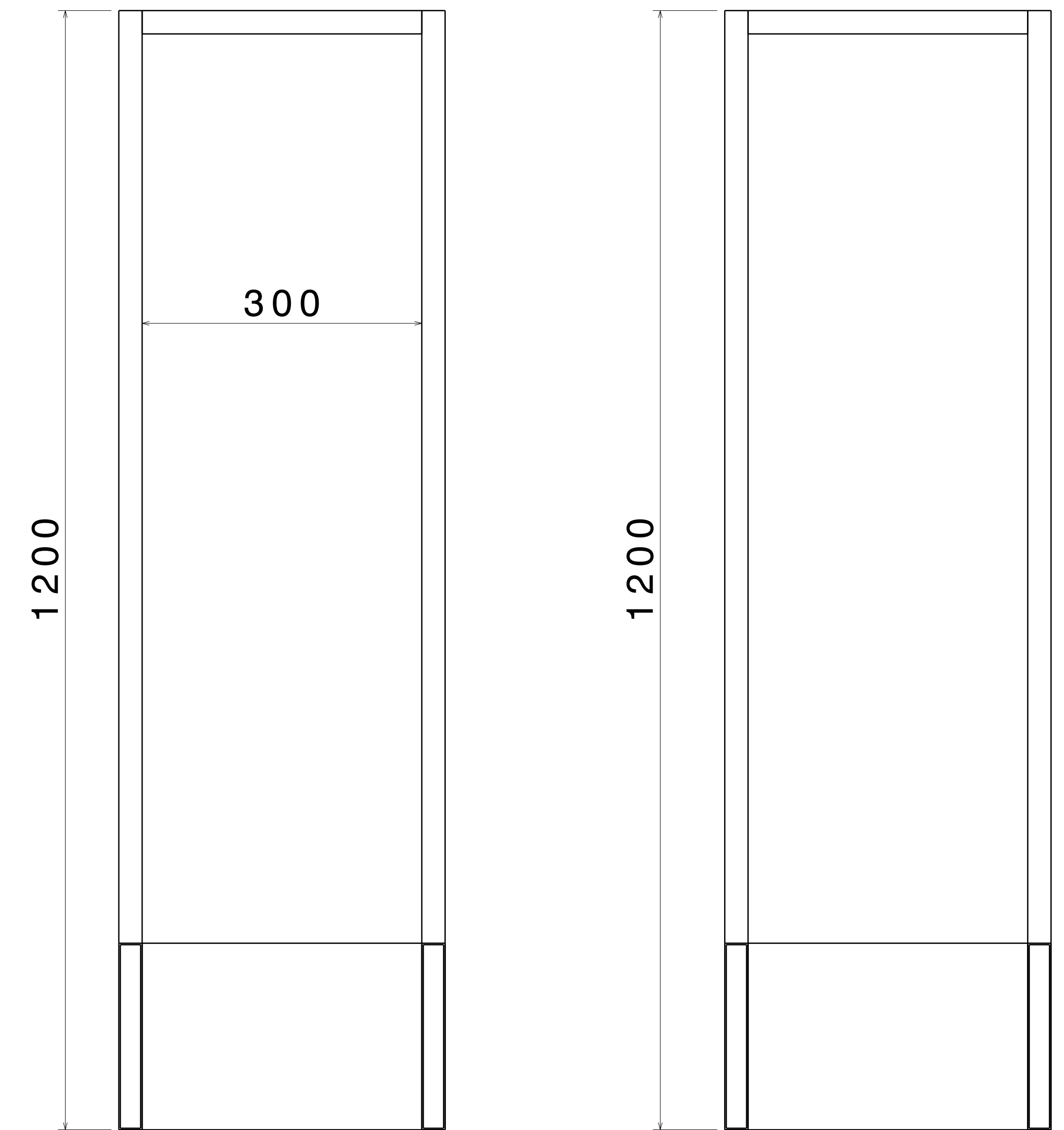
Isometric view  
Scale: 3:10

| ITEM NO. | PART NUMBER | DESCRIPTION           | QTY. | Wt (kg)/Each |
|----------|-------------|-----------------------|------|--------------|
| 4        | PLANK 4     | 200 X 25 X 1.6 X 1200 | 4    | 6.72         |
| 3        | PLANK 3     | 200 X 25 X 1.6 X 700  | 2    | 3.90         |
| 2        | PLANK 2     | 200 X 25 X 1.6 X 400  | 6    | 2.25         |
| 1        | PLANK 1     | 200 X 25 X 1.6 X 300  | 6    | 1.70         |

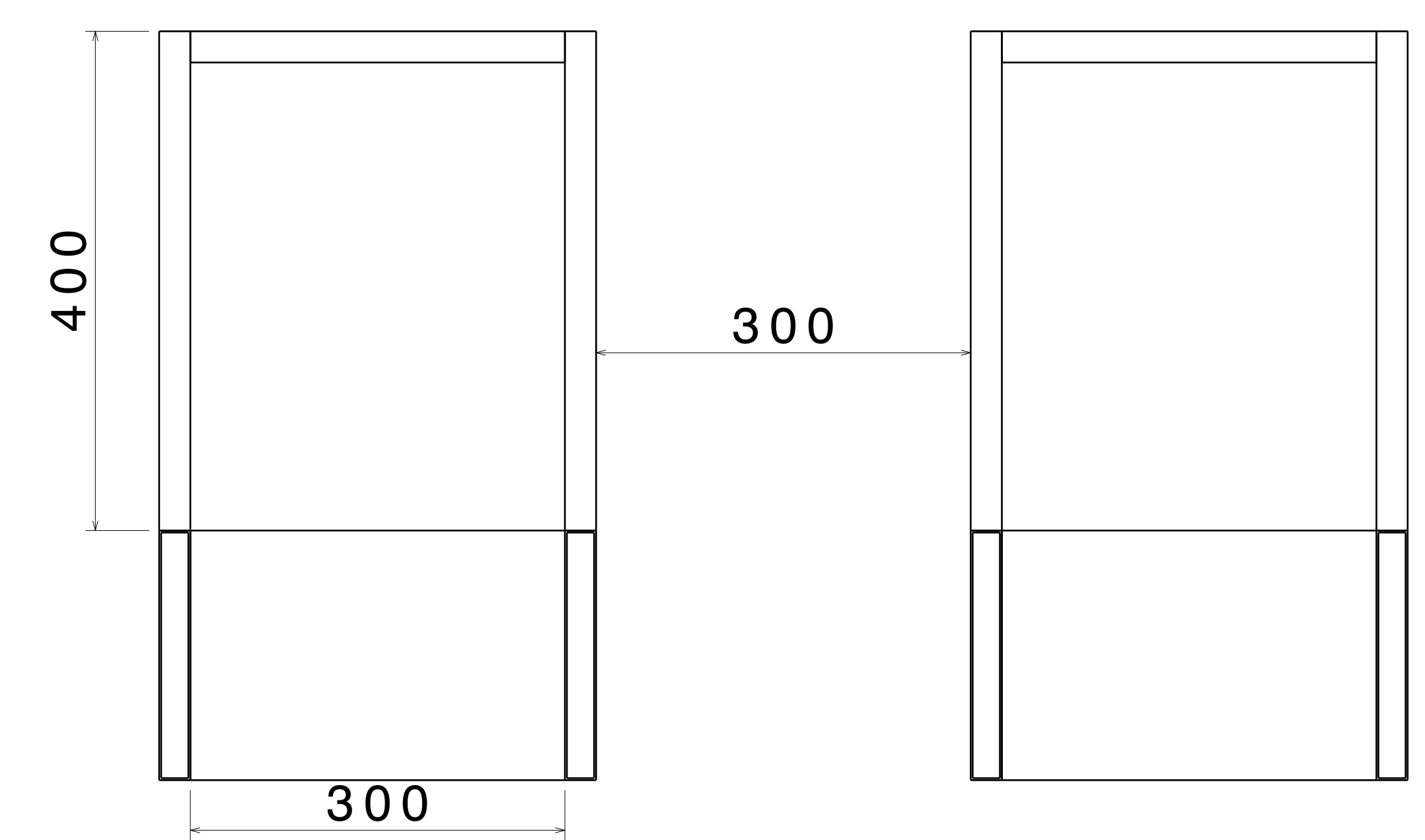
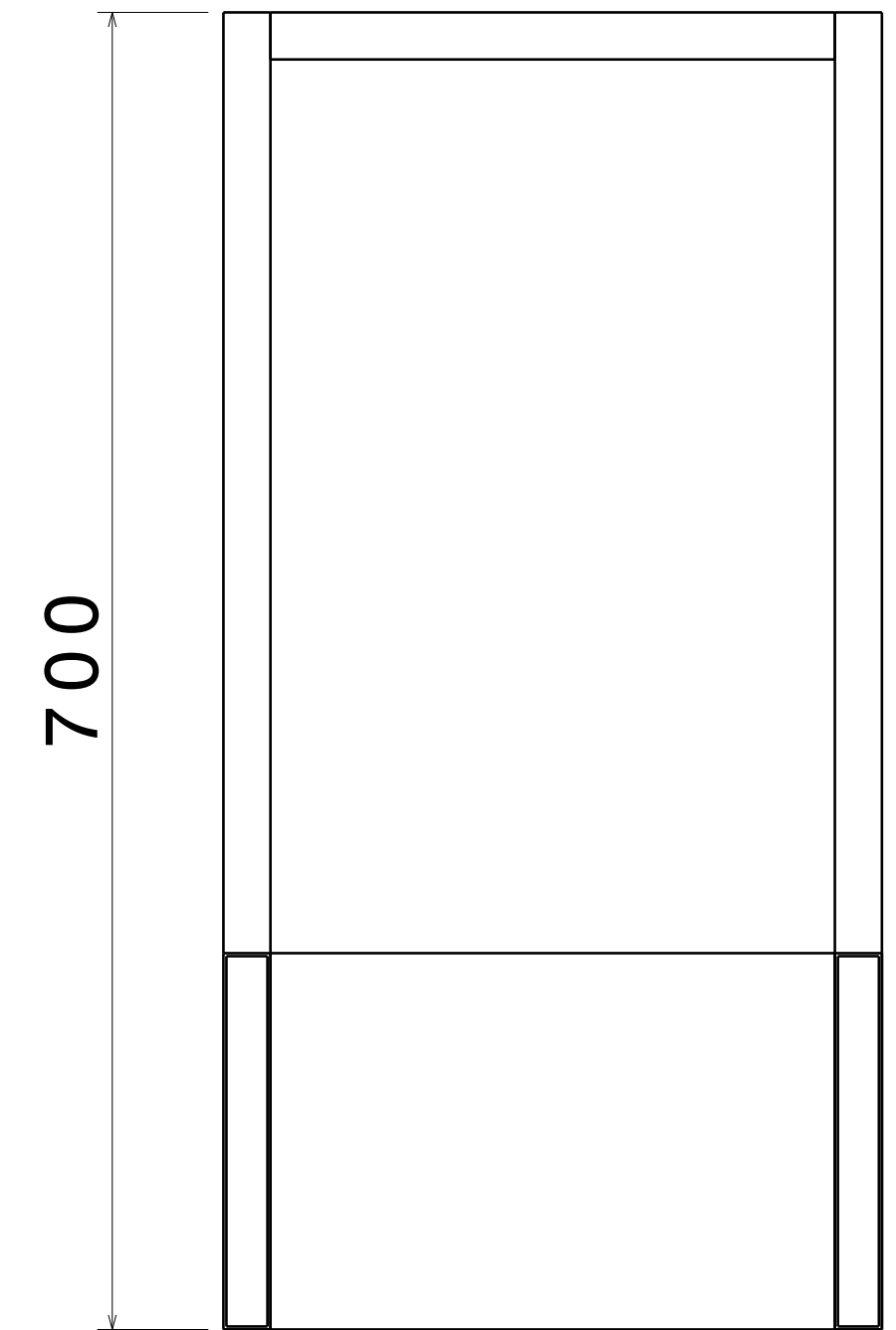
  

|   |  |   |  |
|---|--|---|--|
| This drawing is our property. It can't be reproduced or communicated without our written agreement.<br>www.p2p.ind.in |  | <b>APL APOLLO TUBES LTD.</b>  |  |
| DRAWN BY: RR<br>CHECKED BY: P2P Analysis & Solutions<br>DESIGNED BY: P2P Analysis & Solutions                         |  | DATE: 07APR2021<br>DATE: 07APR2021<br>DATE: 07APR2021   |  |
| UNLESS OTHERWISE SPECIFIED DIMENSION ARE IN MM<br>VIEWS: THIRD ANGLE PROJECTION                                       |  | DRAWING TITLE: <b>DECORATE STAND</b><br>SIZE: A0<br>DRAWING NUMBER: <b>P2P APR 21-08</b><br>SCALE: As Indicated<br>WEIGHT (kg): 0kg<br>SHEET 1 OF 3 |  |

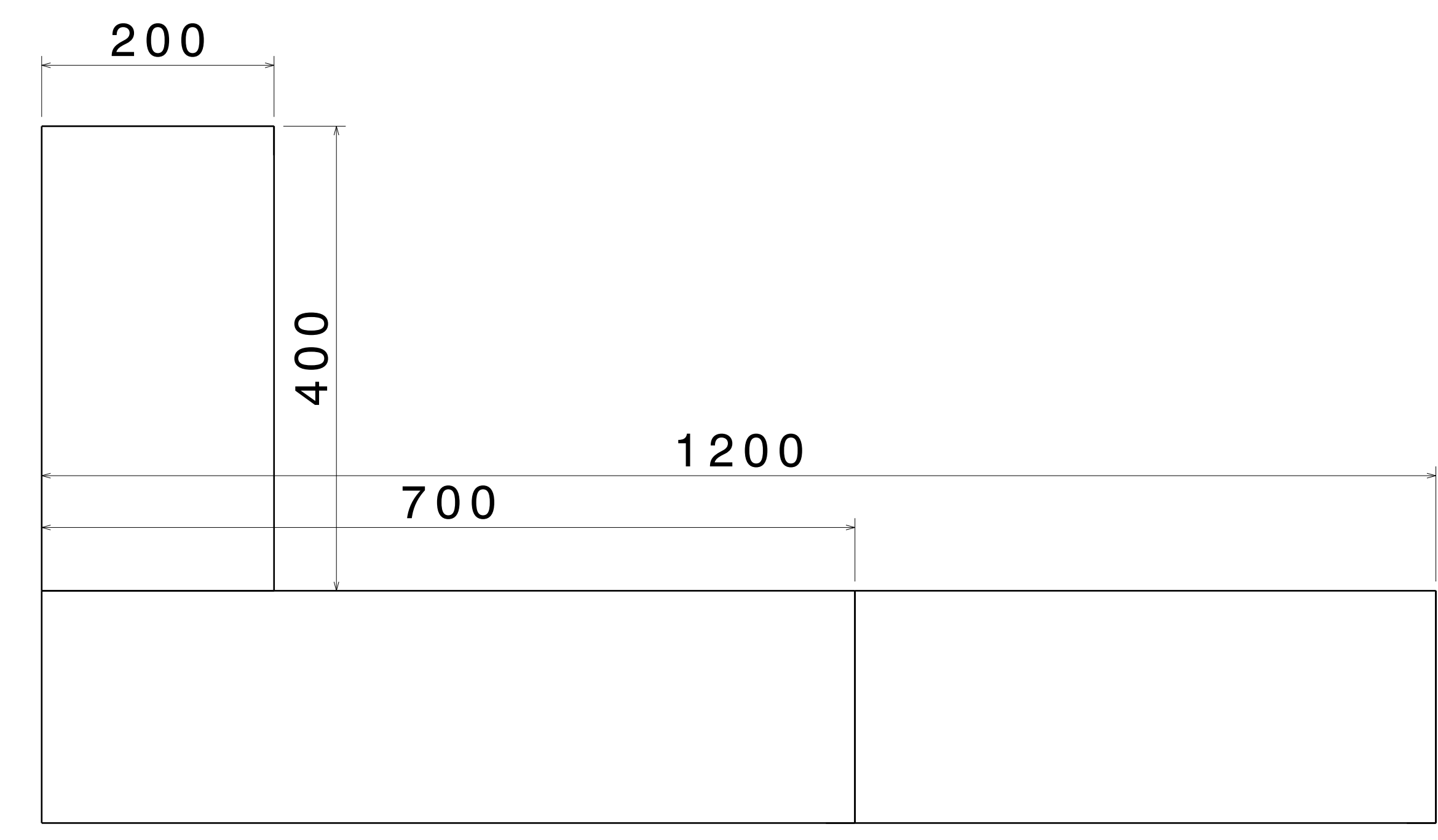
| REV | DATE      | DESCRIPTION      |
|-----|-----------|------------------|
| 00  | 07APR2021 | INITIAL REVISION |



Top view  
Scale: 1:4



Front view  
Scale: 1:4



Right view  
Scale: 1:4

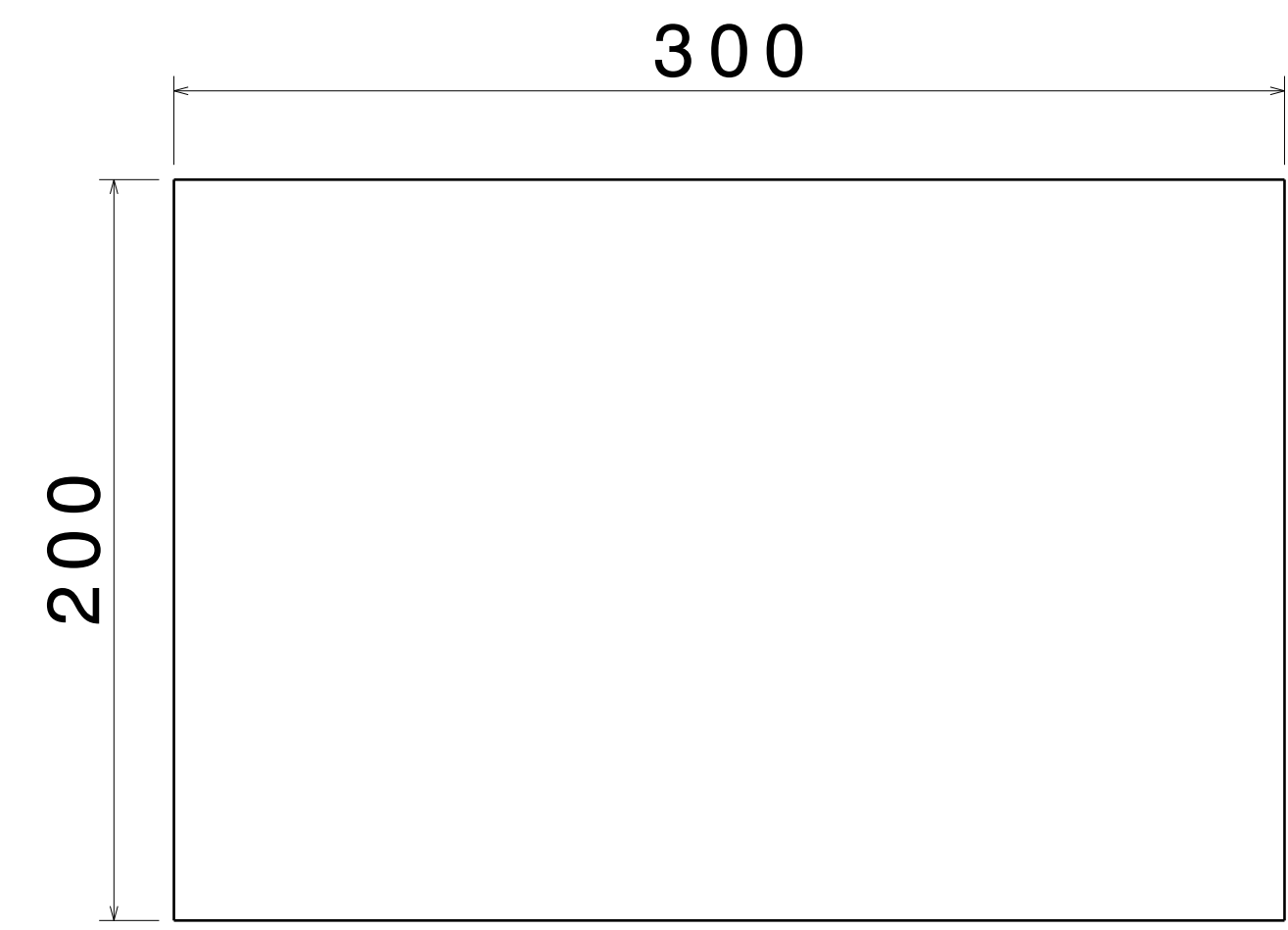
UNLESS OTHERWISE SPECIFIED DIMENSION ARE IN MM  
VIEWS: THIRD ANGLE PROJECTION

This drawing is our property. It can't be reproduced or communicated without our written agreement.  
www.p2p.ind.in

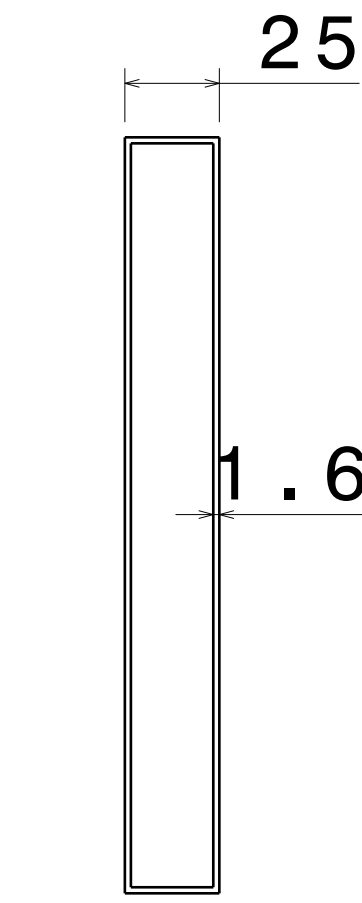
|                          |           |
|--------------------------|-----------|
| DRAWN BY                 | DATE      |
| SB                       | 07APR2021 |
| CHECKED BY               | DATE      |
| P2P Analysis & Solutions | 07APR2021 |
| DESIGNED BY              | DATE      |
| P2P Analysis & Solutions | 07APR2021 |

|                       |                |
|-----------------------|----------------|
| APL APOLLO TUBES LTD. |                |
| DRAWING TITLE         |                |
| DECORATE STAND        |                |
| SIZE                  | DRAWING NUMBER |
| A0                    | P2P_APR_21-08  |
| SCALE                 | WEIGHT (kg)    |
| NONE                  | XXX            |
| REV                   | SHEET 2 OF 3   |
| 00                    |                |

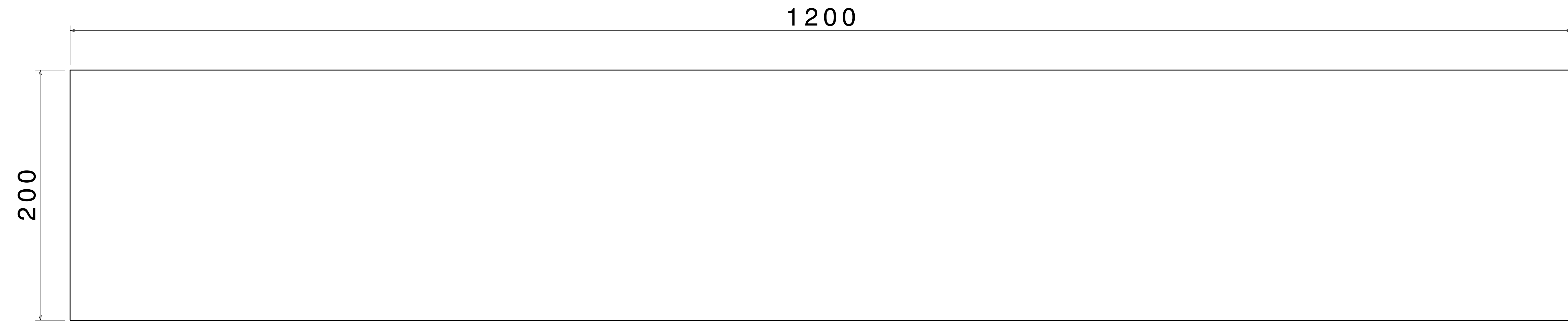
| REV | DATE      | DESCRIPTION      |
|-----|-----------|------------------|
| 00  | 07APR2021 | INITIAL REVISION |



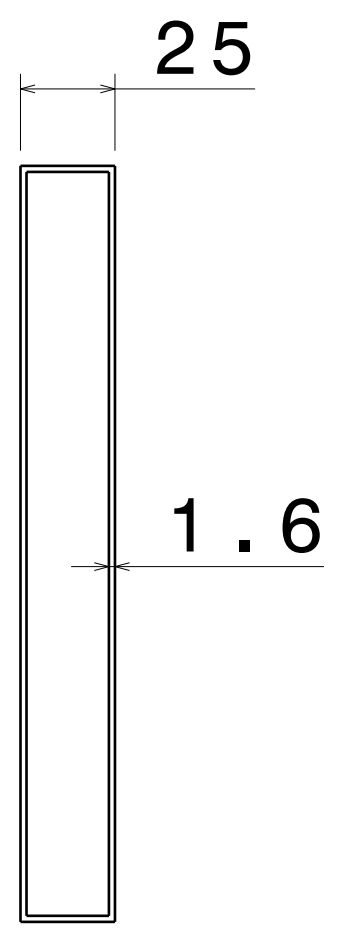
ITEM 1



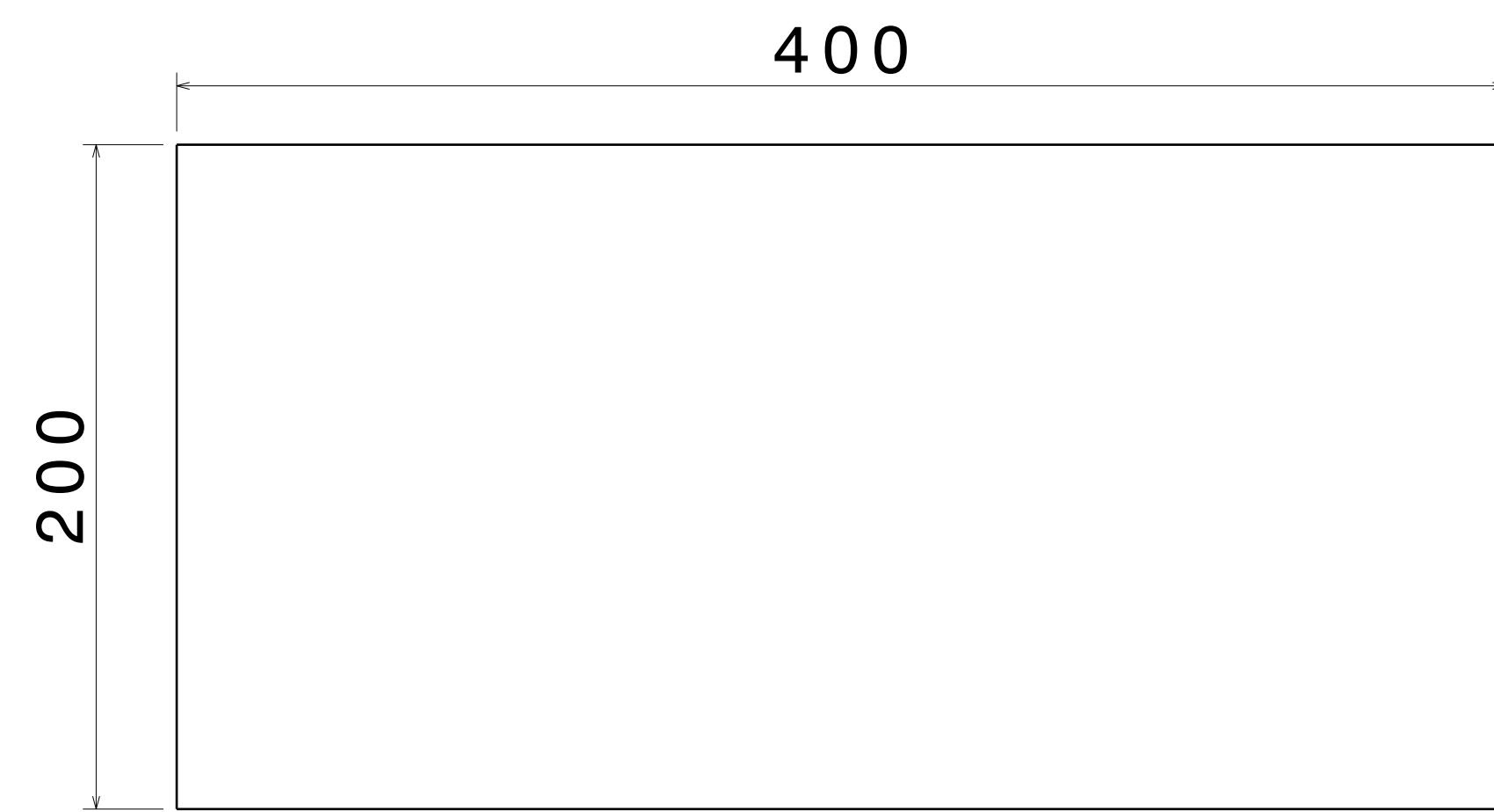
Right view  
Scale: 1:2



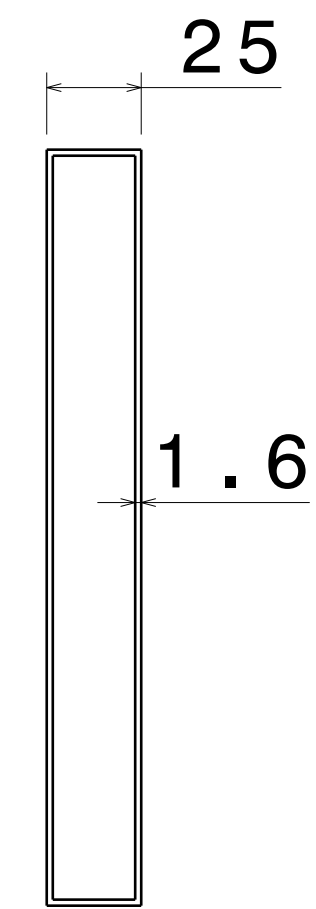
ITEM 4



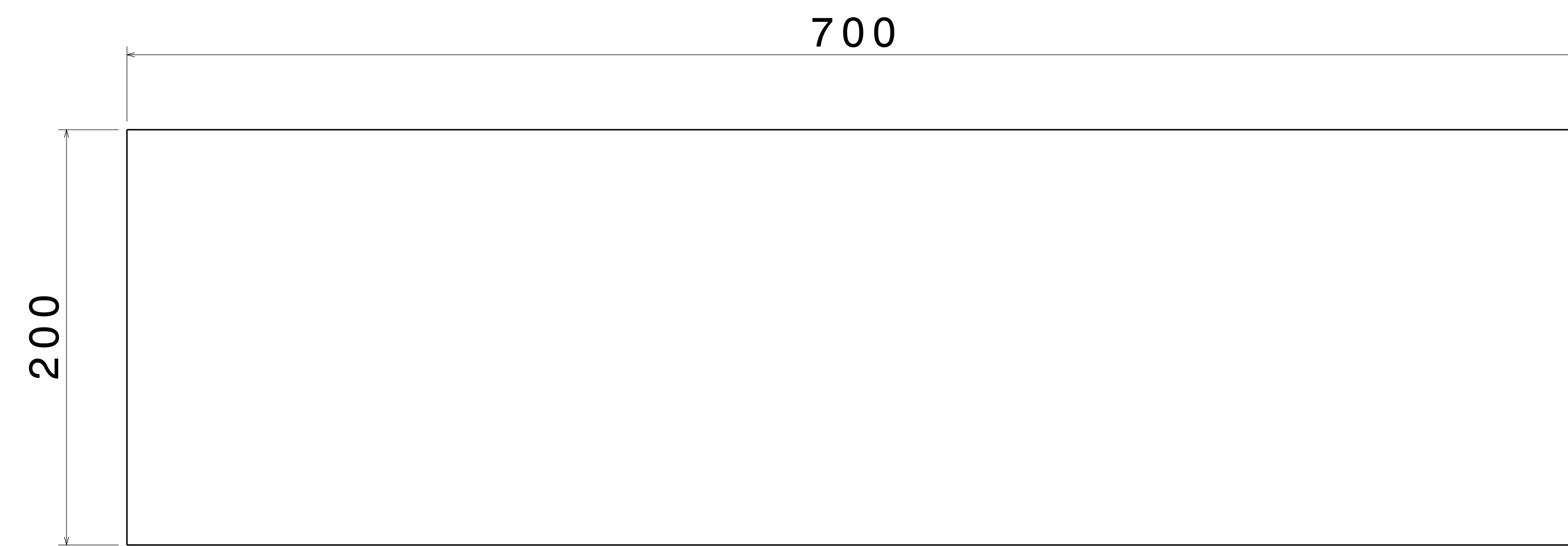
Right view  
Scale: 1:2



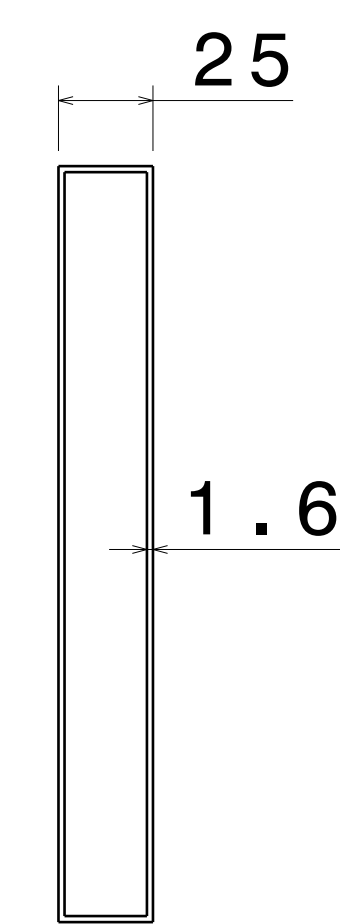
ITEM 2



Right view  
Scale: 1:2



ITEM 3



Right view  
Scale: 1:2

This drawing is our property.  
It can't be reproduced  
or communicated without  
our written agreement.  
www.p2p.ind.in

APL APOLLO TUBES LTD. 

|                          |           |
|--------------------------|-----------|
| DRAWN BY                 | DATE      |
| SB                       | 07APR2021 |
| CHECKED BY               | DATE      |
| P2P Analysis & Solutions | 07APR2021 |
| DESIGNED BY              | DATE      |
| P2P Analysis & Solutions | 07APR2021 |

|                |                |             |              |
|----------------|----------------|-------------|--------------|
| DRAWING TITLE  |                |             |              |
| DECORATE STAND |                |             |              |
| SIZE           | DRAWING NUMBER | REV         |              |
| A0             | P2P APR 21-08  | 00          |              |
| SCALE          | NONE           | WEIGHT (kg) | XXX          |
|                |                |             | SHEET 3 OF 3 |

UNLESS OTHERWISE SPECIFIED  
DIMENSION ARE IN MM  
VIEWS:  
THIRD ANGLE PROJECTION

