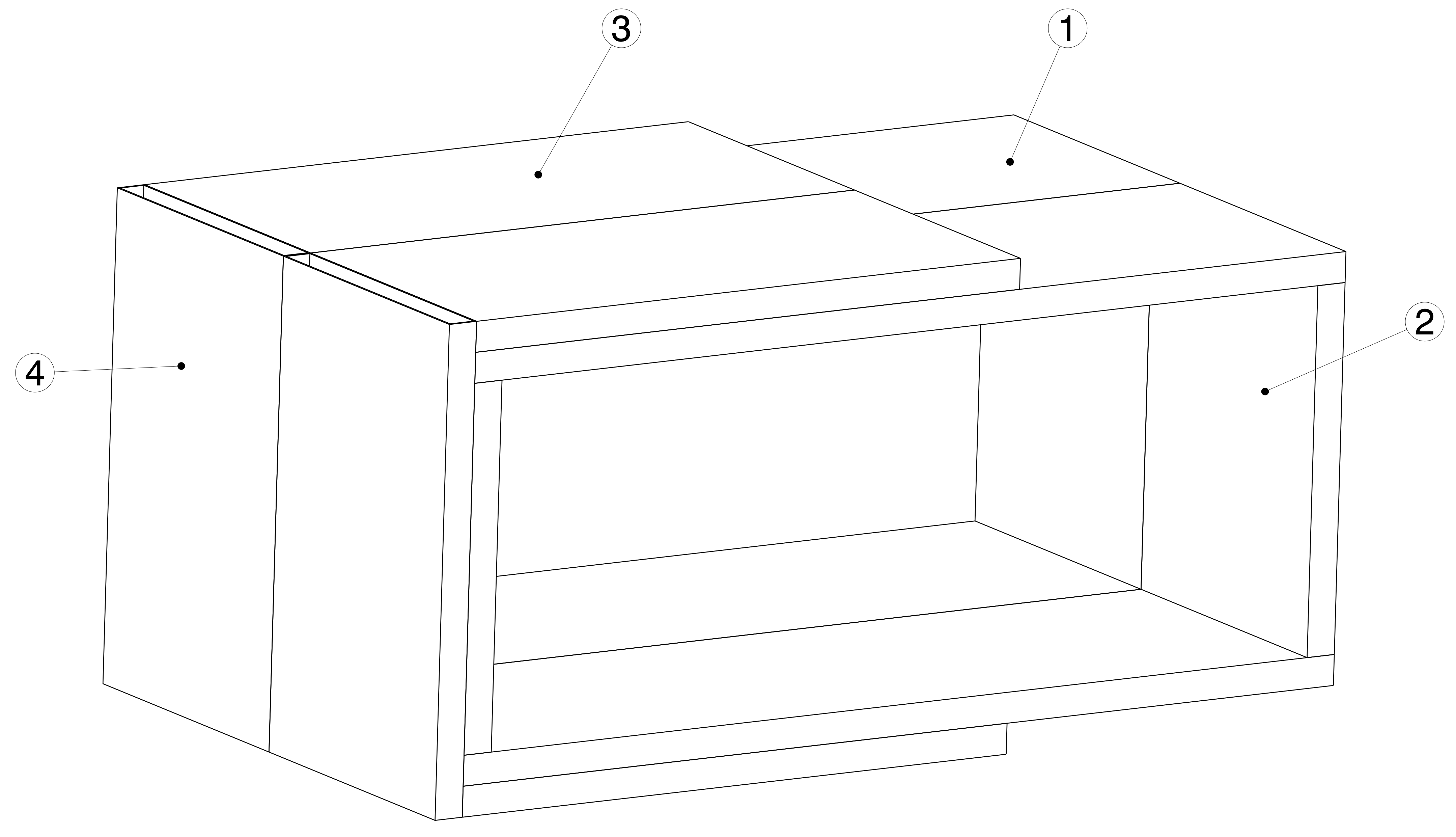

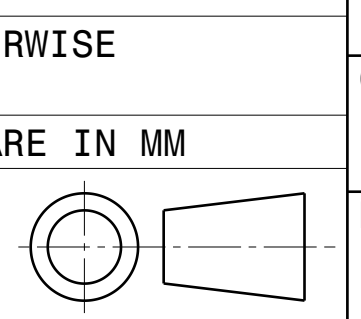


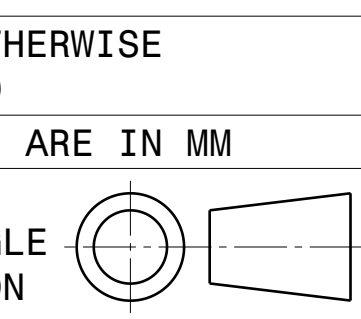
REV	DATE	DESCRIPTION
00	07APR2021	INITIAL REVISION

- NOTES:
- (⊥) ALL VERTICAL SUPPORTS ARE PERPENDICULAR.
  - FLATNESS OF .5MM IS APPLIED BY DEFAULT.
  - ⊞ WELD BEAD OF 2MM RADIUS IS FOLLOWED.
  - ▽▽ SURFACE FINISH MEDIUM TO SMOOTH IS USED.
  - ALL TUBES ARE AS PER APL APOLLO STANDARD. CHANGES MAY EFFECT THE LOAD CAPACITY.
  - ALL HORIZONTAL AND VERTICAL TUBES ARE PERPENDICULAR TO EACH OTHER WITH ±1 DEG.
  - FINE WELDING IS REQUIRED AS PER MENTIONED DETAILS AND FINISHING.
  - HIGHER CURRENT WELDING MAY AFFECT THE BRITTLNESS OF MATERIAL WHICH LATER MAY RAISE TO WEAKENING OF STRUCTURE.
  - FABRICATORS ARE ALLOWED TO USE FITTINGS/FRAMES/SUPPORTS AS NEEDED AND THE SAME MUST BE COMMUNICATED BACK TO ENGINEERING TEAM.
  - BOP COMPONENT WEIGHTS ARE FOR REFERENCE ONLY AND SUBJECTED TO CHANGE PER PURCHASED COMPONENTS.

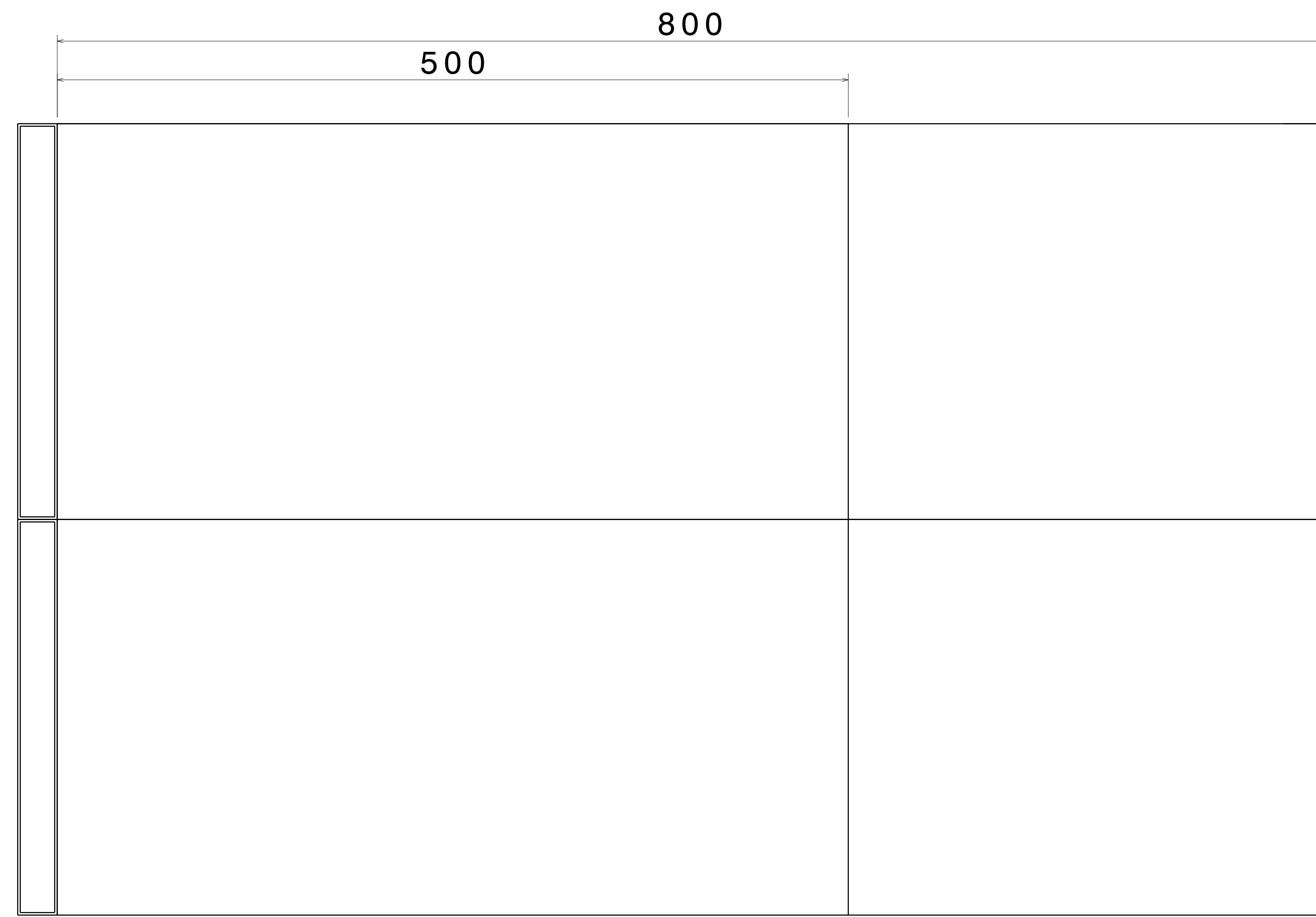


Isometric view  
Scale: 1:2

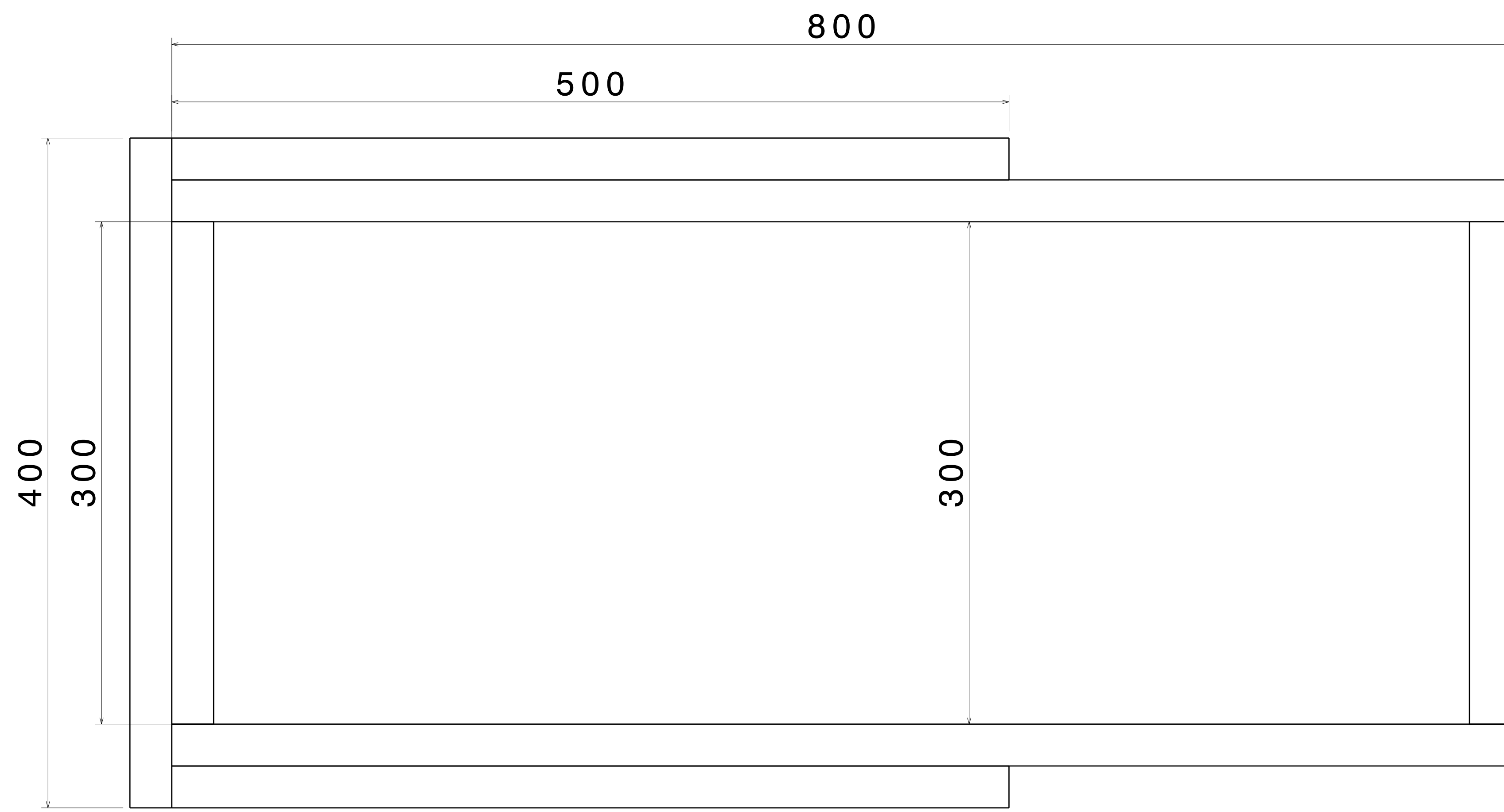
4	PLANK 4	250 X 25 X 1.6 X 400	2	2.75
3	PLANK 3	250 X 25 X 1.6 X 500	4	3.40
2	PLANK 2	250 X 25 X 1.6 X 300	4	2.00
1	PLANK 1	250 X 25 X 1.6 X 800	4	0.70
ITEM NO.	PART NUMBER	DESCRIPTION	QTY.	Wt (kg) /Each
This drawing is our property. It can't be reproduced or communicated without our written agreement. <a href="http://www.p2p.ind.in">www.p2p.ind.in</a>		<b>APL APOLLO TUBES LTD.</b> 		
DRAWN BY <b>RR</b>		DRAWING TITLE <b>TEAPOI</b>		
CHECKED BY P2P Analysis & Solutions		SIZE <b>A0</b>		
DESIGNED BY P2P Analysis & Solutions		DRAWING NUMBER <b>P2P APR 21-10</b>		
UNLESS OTHERWISE SPECIFIED DIMENSION ARE IN MM VIEWS: THIRD ANGLE PROJECTION 		SCALE As Indicated		
		WEIGHT (kg) <b>0kg</b>		SHEET 1 OF 3

UNLESS OTHERWISE SPECIFIED DIMENSION ARE IN MM  
VIEWS: THIRD ANGLE PROJECTION 

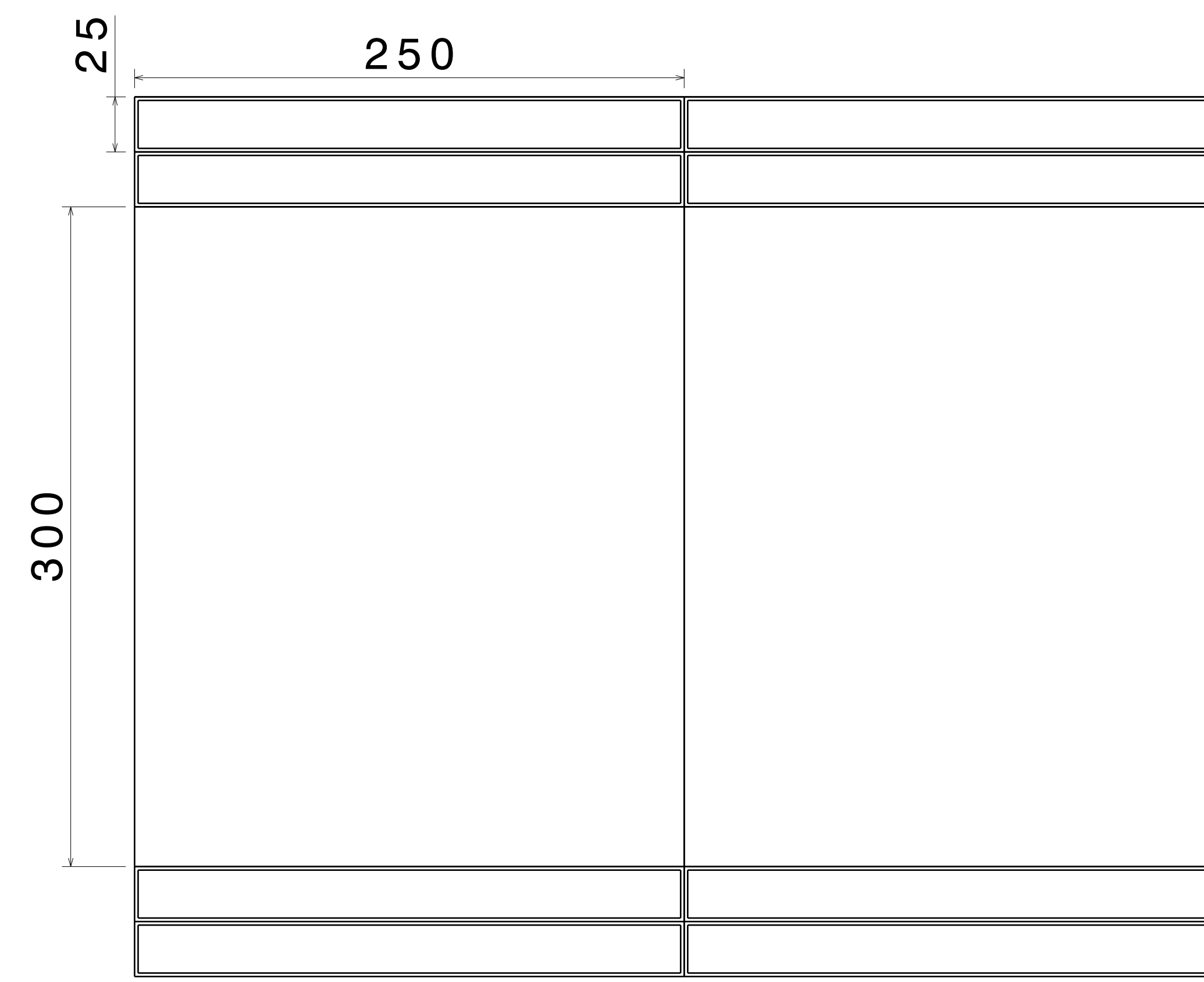
REV	DATE	DESCRIPTION
00	07APR2021	INITIAL REVISION



Top view  
Scale: 1:2



Front view  
Scale: 1:2



Right view  
Scale: 1:2

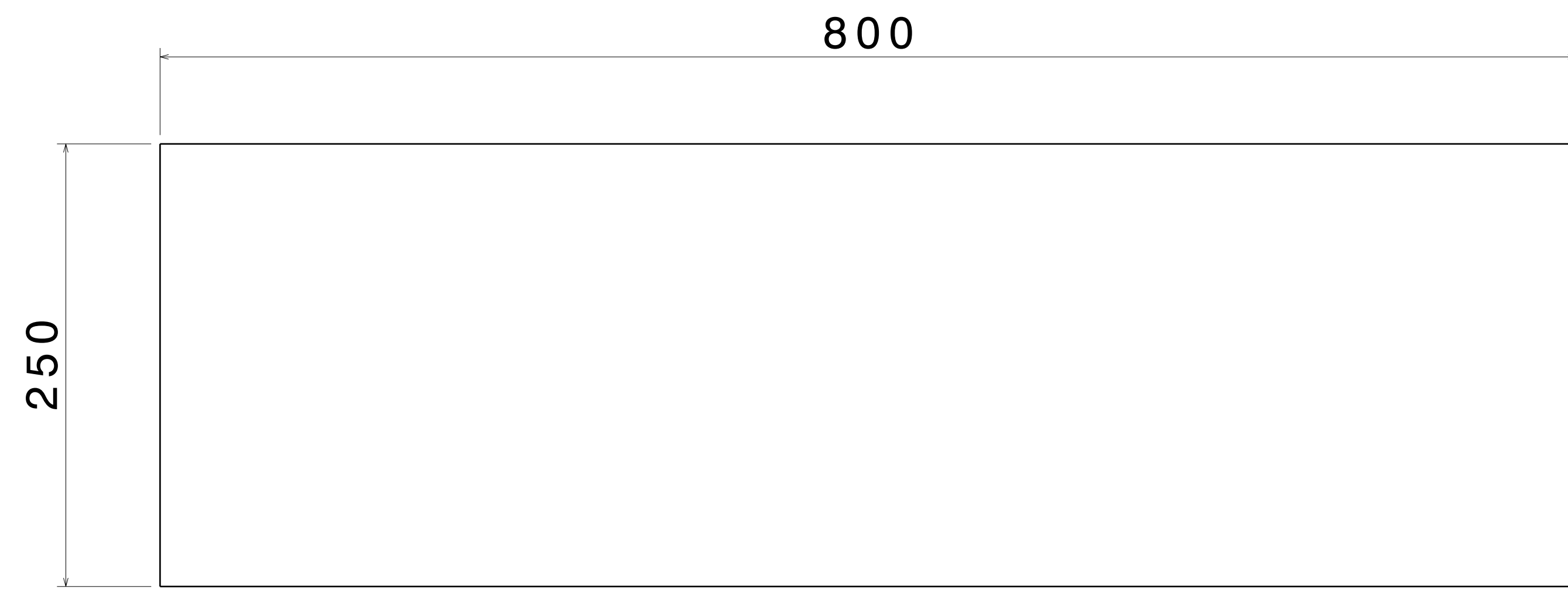
UNLESS OTHERWISE SPECIFIED DIMENSION ARE IN MM  
VIEWS: THIRD ANGLE PROJECTION

This drawing is our property. It can't be reproduced or communicated without our written agreement.  
www.p2p.ind.in

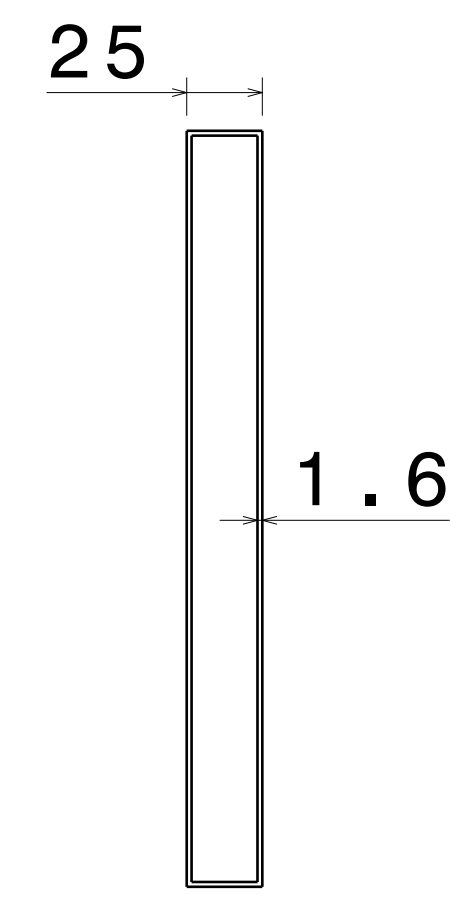
DRAWN BY	DATE
SB	07APR2021
CHECKED BY	DATE
P2P Analysis & Solutions	07APR2021
DESIGNED BY	DATE
P2P Analysis & Solutions	07APR2021

APL APOLLO TUBES LTD.	
DRAWING TITLE	
TEAPOI	
SIZE	DRAWING NUMBER
A0	P2P APR 21-10
SCALE	WEIGHT (kg)
NONE	XXX
REV	SHEET 2 OF 3
00	

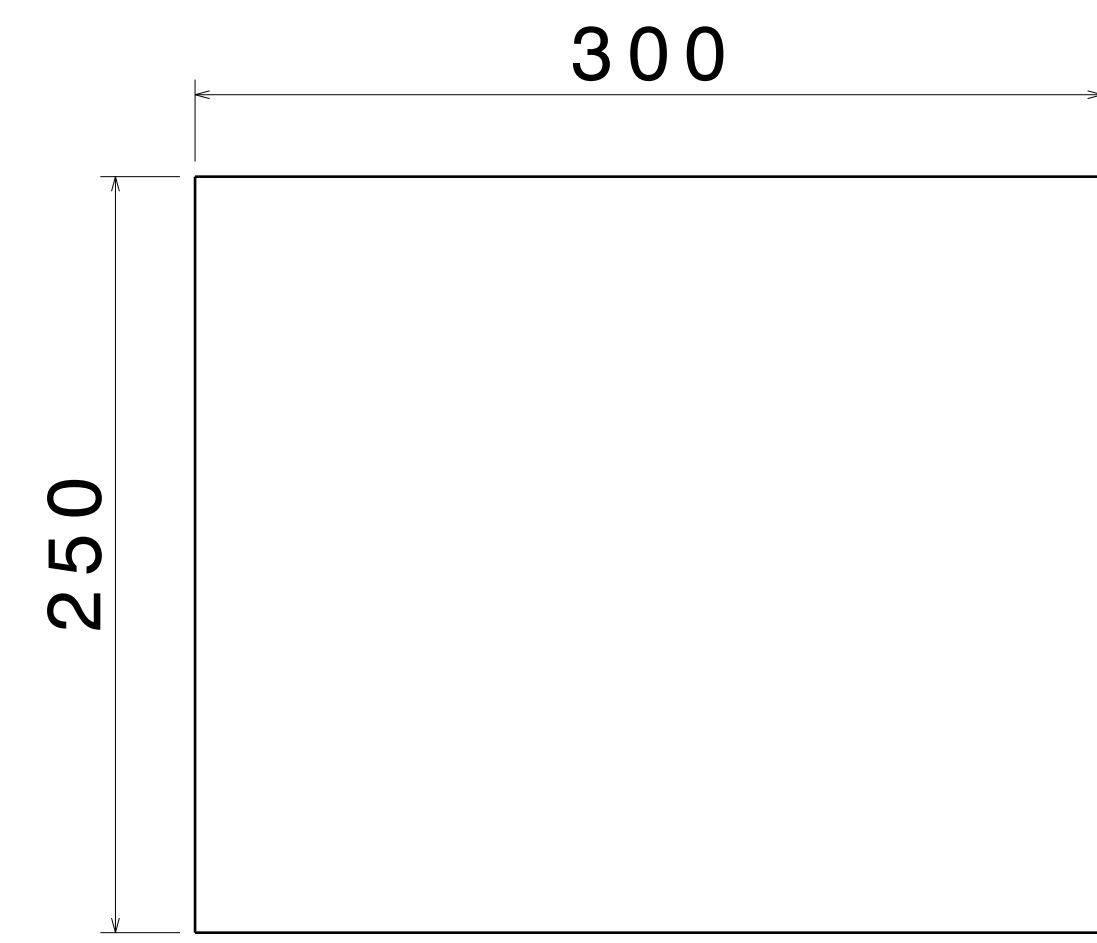
REV	DATE	DESCRIPTION
00	07APR2021	INITIAL REVISION



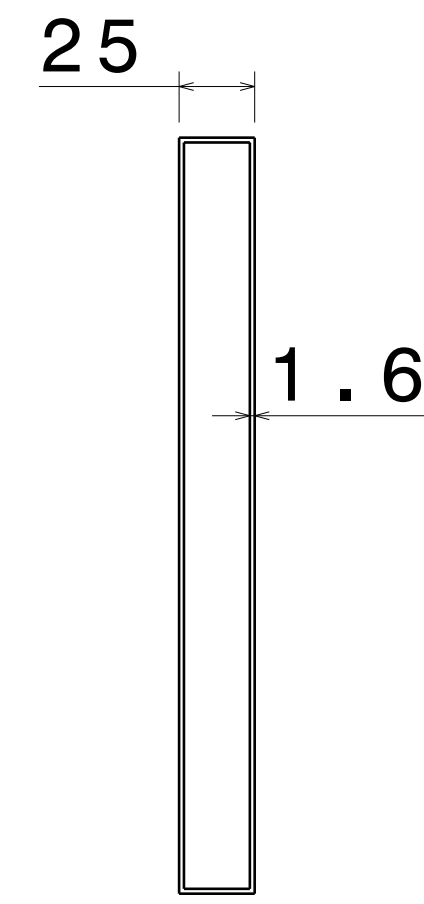
ITEM 1



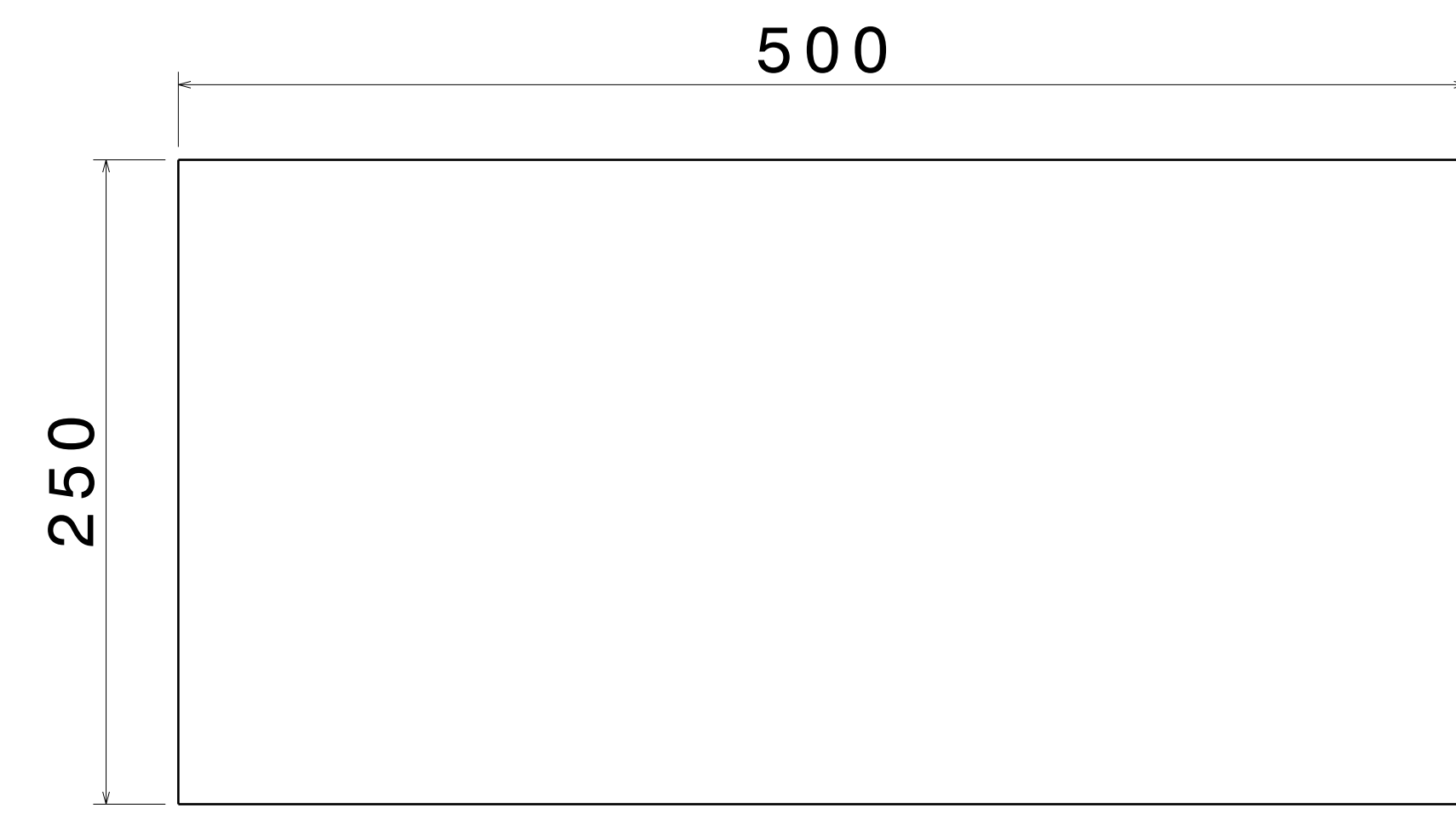
Right view  
Scale: 2:5



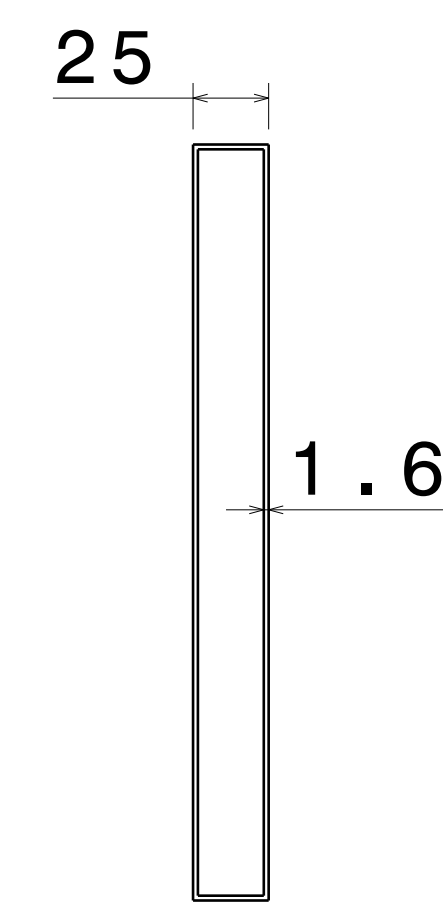
ITEM 2



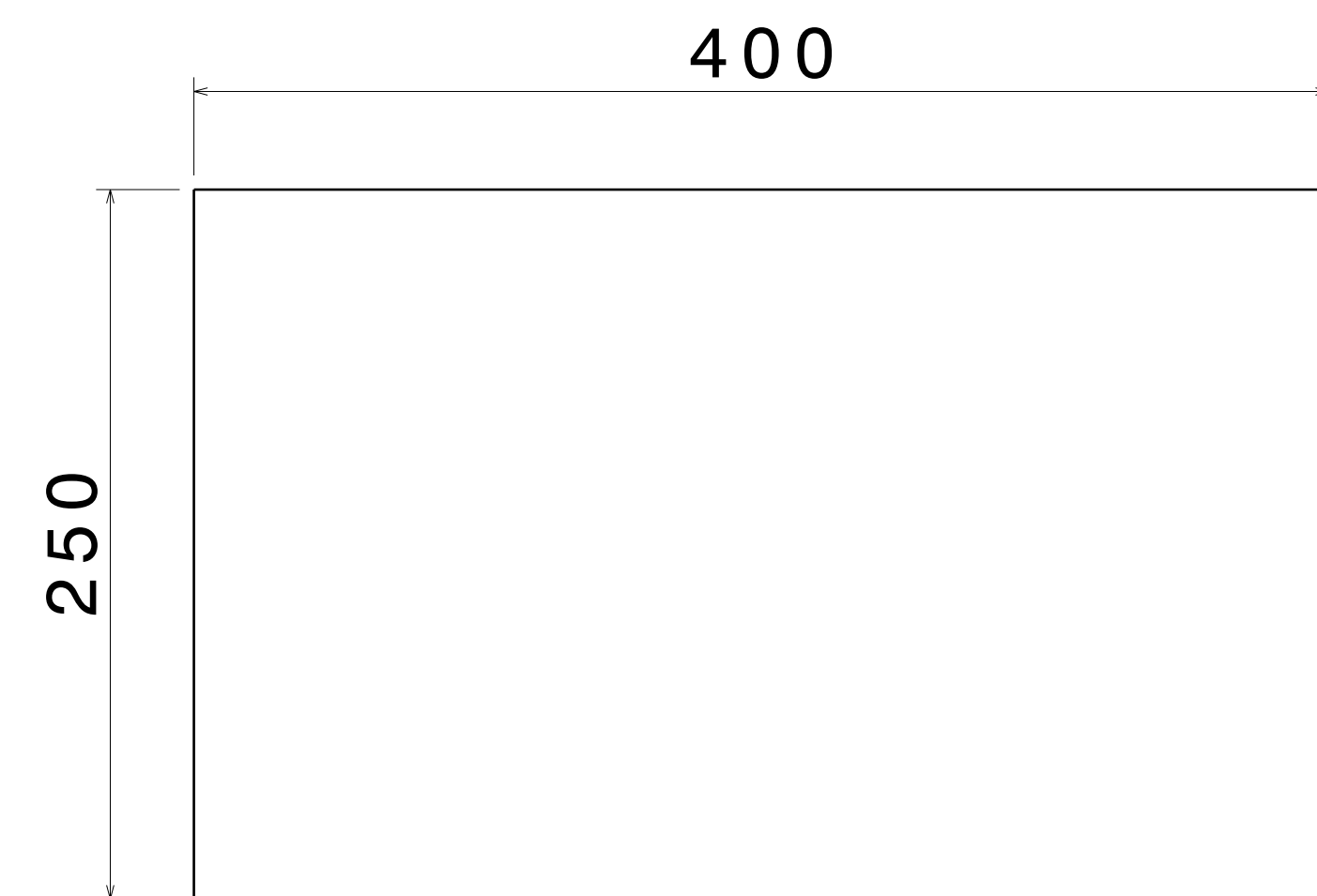
Right view  
Scale: 2:5



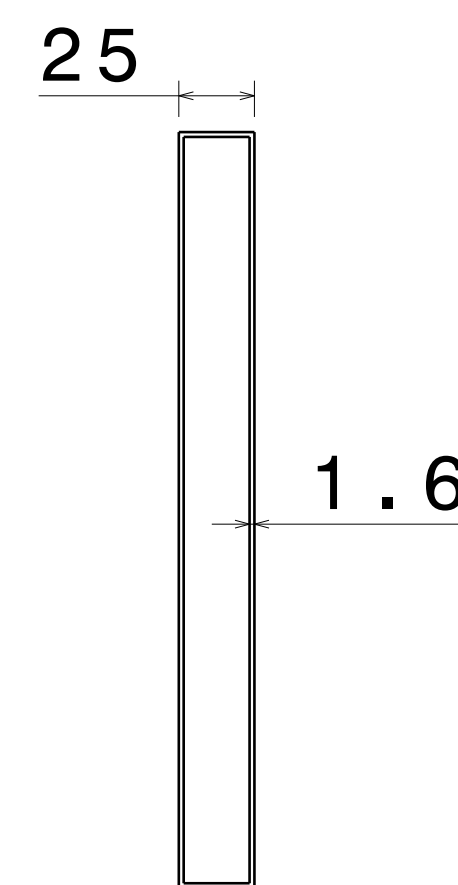
ITEM 3



Right view  
Scale: 2:5



ITEM 4



Right view  
Scale: 2:5

UNLESS OTHERWISE SPECIFIED DIMENSION ARE IN MM  
VIEWS: THIRD ANGLE PROJECTION

This drawing is our property. It can't be reproduced or communicated without our written agreement.  
www.p2p.ind.in

DRAWN BY	SB	DATE	07APR2021
CHECKED BY	P2P Analysis & Solutions	DATE	07APR2021
DESIGNED BY	P2P Analysis & Solutions	DATE	07APR2021

APL APOLLO TUBES LTD.

DRAWING TITLE				TEAPOI	
SIZE	A0	DRAWING NUMBER	P2P APR 21-10		REV
SCALE	NONE	WEIGHT (kg)	XXX	SHEET 3 OF 3	