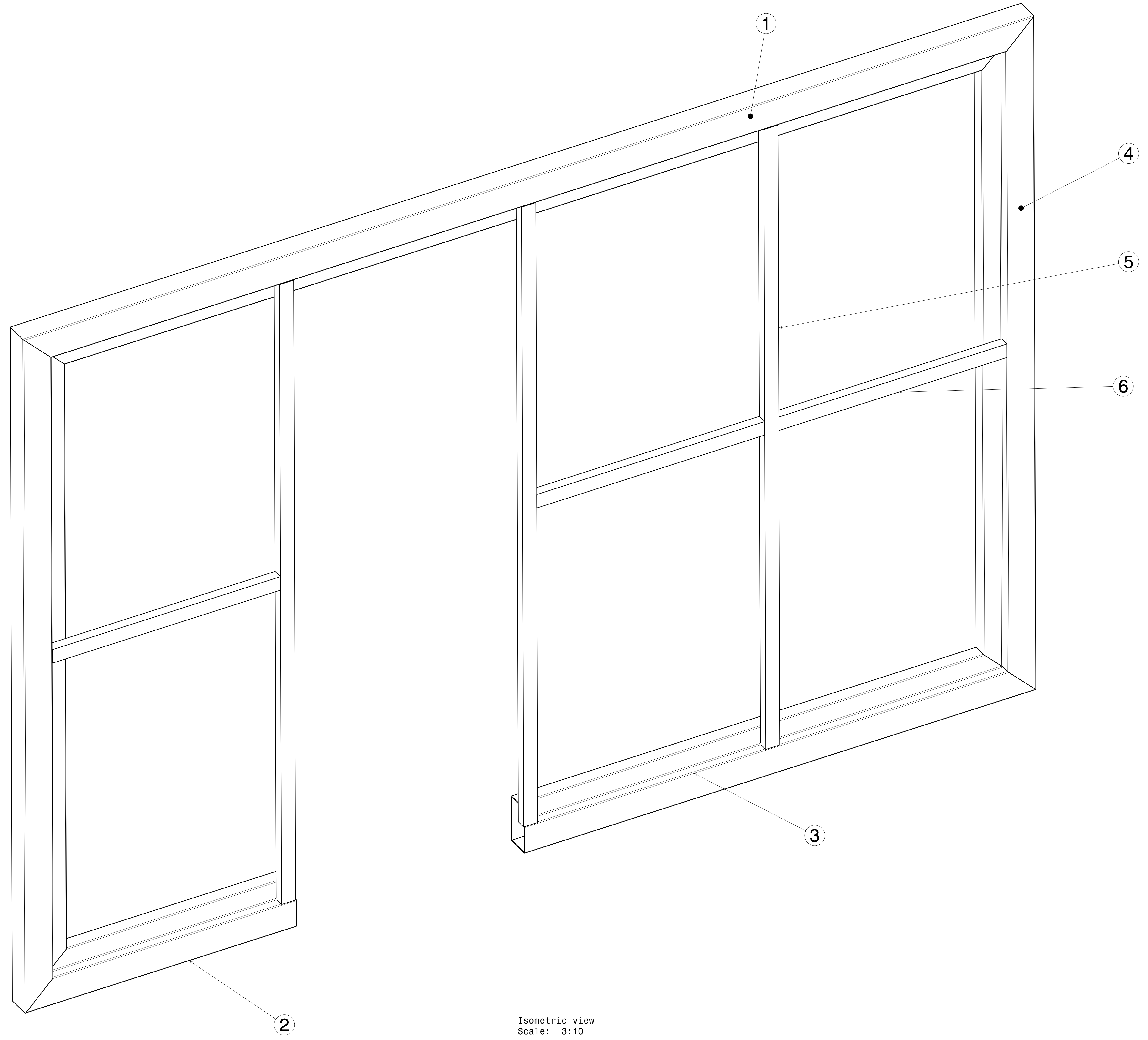


REV/DATE	DESCRIPTION
00 / 20APR2021	INITIAL REVISION

- NOTES:
- (⊥) ALL VERTICAL SUPPORTS ARE PERPENDICULAR.
 - FLATNESS OF .5MM IS APPLIED BY DEFAULT.
 - ⊲ WELD BEAD OF 2MM RADIUS IS FOLLOWED.
 - ▽▽ SURFACE FINISH MEDIUM TO SMOOTH IS USED.
 - ALL TUBES ARE AS PER APL APOLLO STANDARD. CHANGES MAY EFFECT THE LOAD CAPACITY.
 - ALL HORIZONTAL AND VERTICAL TUBES ARE PERPENDICULAR TO EACH OTHER WITH ±1 DEG.
 - FINE WELDING IS REQUIRED AS PER MENTIONED DETAILS AND FINISHING.
 - HIGHER CURRENT WELDING MAY AFFECT THE BRITTLENESS OF MATERIAL WHICH LATER MAY RAISE TO WEAKENING OF STRUCTURE.
 - FABRICATORS ARE ALLOWED TO USE FITTINGS/FRAMES/SUPPORTS AS NEEDED AND THE SAME MUST BE COMMUNICATED BACK TO ENGINEERING TEAM.
 - BOP COMPONENT WEIGHTS ARE FOR REFERENCE ONLY AND SUBJECTED TO CHANGE PER PURCHASED COMPONENTS.



Isometric view
Scale: 3:10

ITEM NO.	PART NUMBER	DESCRIPTION	QTY.	Wt (kg)/Each
6	SHS 2	30 X 20 X 2 X 485	3	0.70
5	SHS 1	30 X 20 X 2 X 1380	2	2.0
4	SDF 4	100 X 50 X 1500	2	6.53
3	SDF 3	100 X 50 X 1088	1	4.74
2	SDF 2	100 X 50 X 577	1	2.51
1	SDF 1	100 X 50 X 2150	1	9.35

This drawing is our property. It can't be reproduced or communicated without our written agreement.
www.p2p.ind.in

APL APOLLO TUBES LTD.

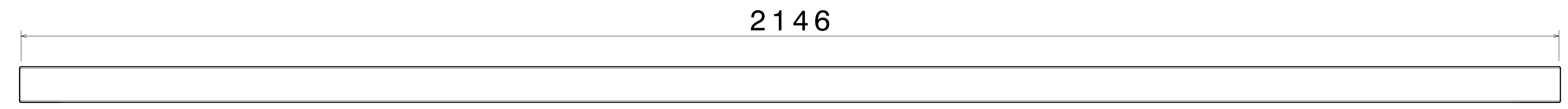
DECORATE STAND

DRAWN BY	RR	DATE	20APR2021
CHECKED BY	P2P Analysis & Solutions	DATE	20APR2021
DESIGNED BY	P2P Analysis & Solutions	DATE	20APR2021

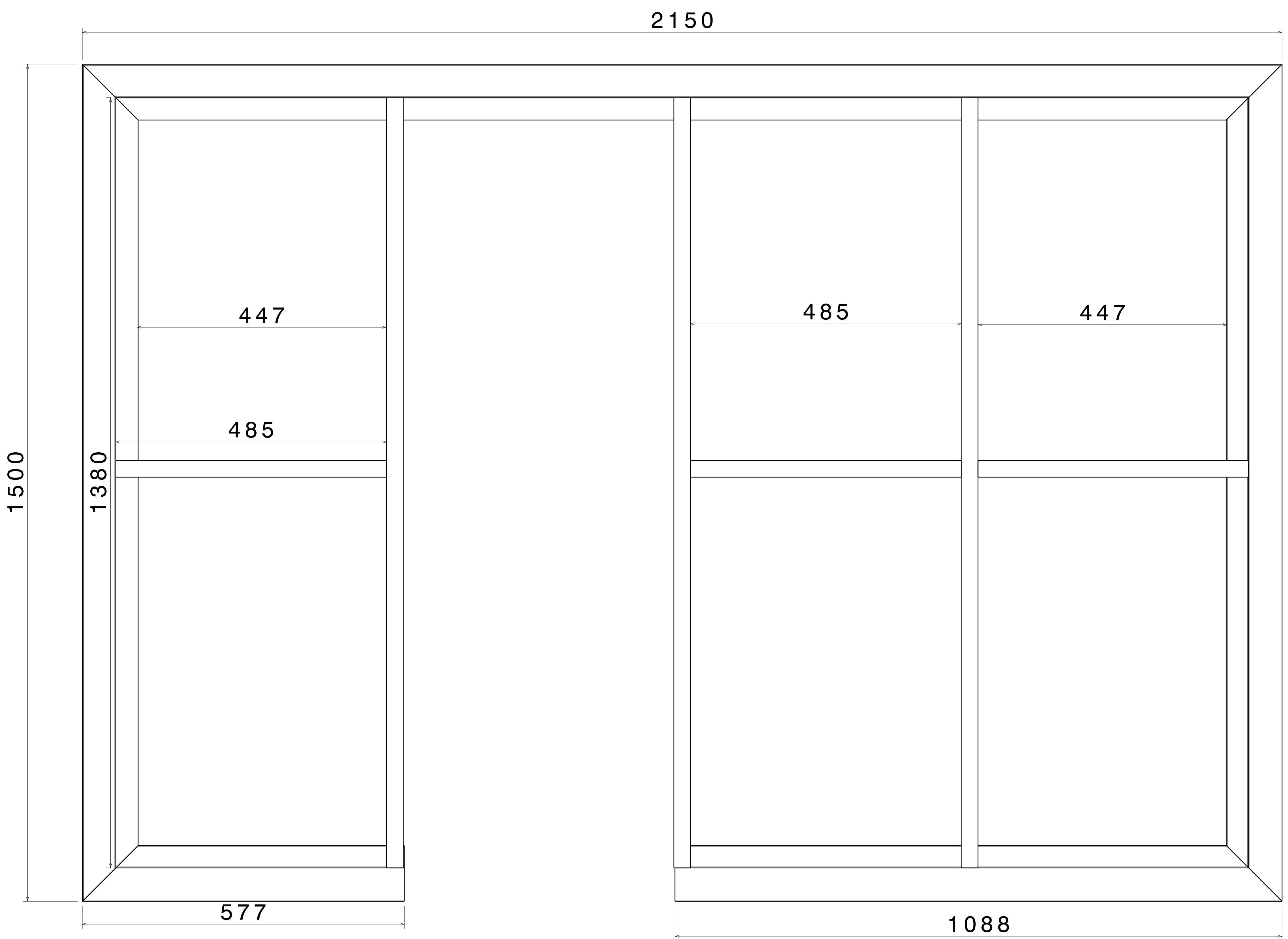
SIZE	A0	DRAWING NUMBER	P2P APR 21-12	REV	00
SCALE	As Indicated	WEIGHT (kg)	0kg	SHEET 1 OF 3	

UNLESS OTHERWISE SPECIFIED DIMENSION ARE IN MM
VIEWS: THIRD ANGLE PROJECTION

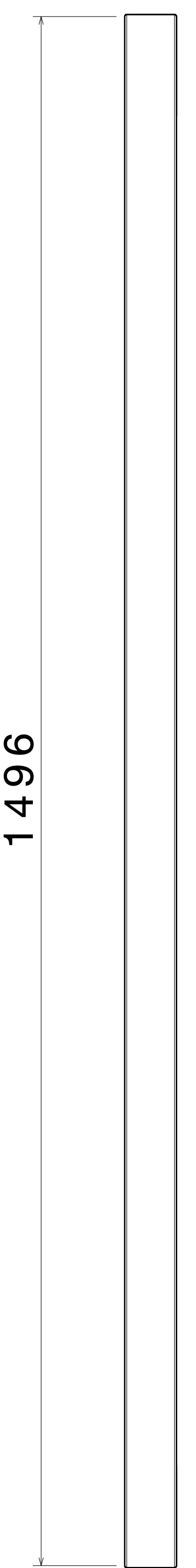
REV	DATE	DESCRIPTION
00	20APR2021	INITIAL REVISION



Top view
Scale: 1:4



Front view
Scale: 1:4



Right view
Scale: 1:4

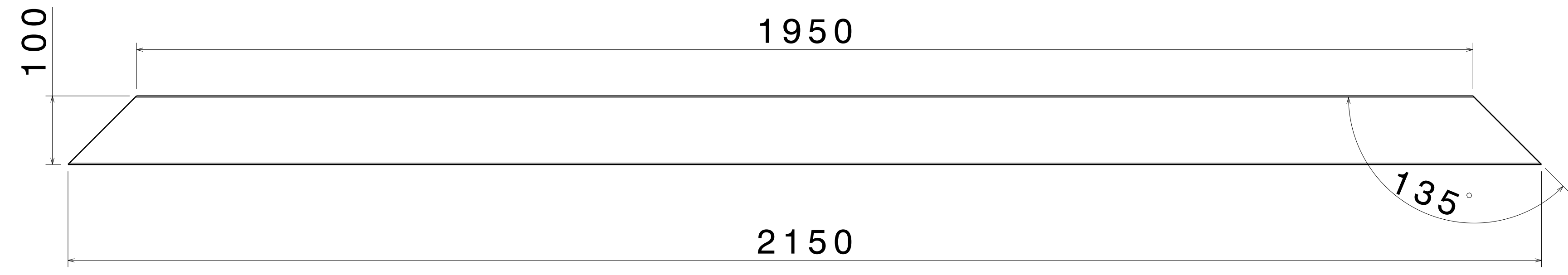
UNLESS OTHERWISE SPECIFIED DIMENSION ARE IN MM
VIEWS: THIRD ANGLE PROJECTION

This drawing is our property. It can't be reproduced or communicated without our written agreement.
www.p2p.ind.in

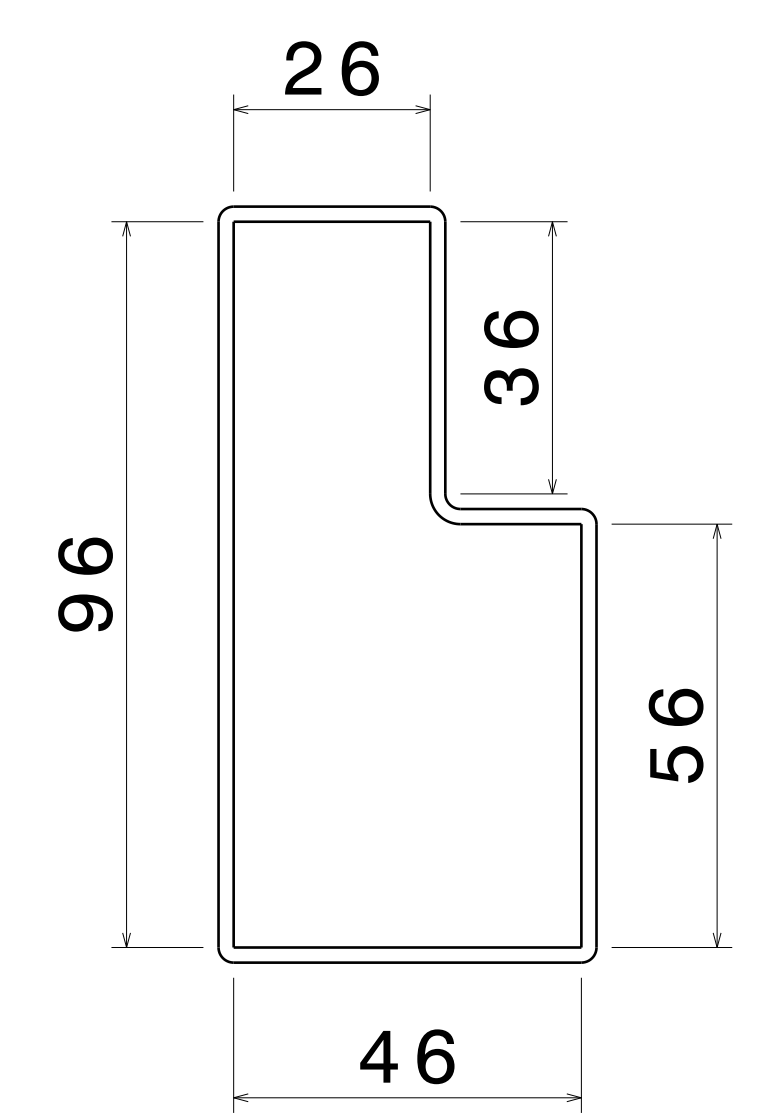
DRAWN BY	DATE
SB	20APR2021
CHECKED BY	DATE
P2P Analysis & Solutions	20APR2021
DESIGNED BY	DATE
P2P Analysis & Solutions	20APR2021

APL APOLLO TUBES LTD.	
DRAWING TITLE	
DECORATE STAND	
SIZE	DRAWING NUMBER
A0	P2P APR 21-12
SCALE	WEIGHT (kg)
NONE	XXX
REV	SHEET 2 OF 3
00	

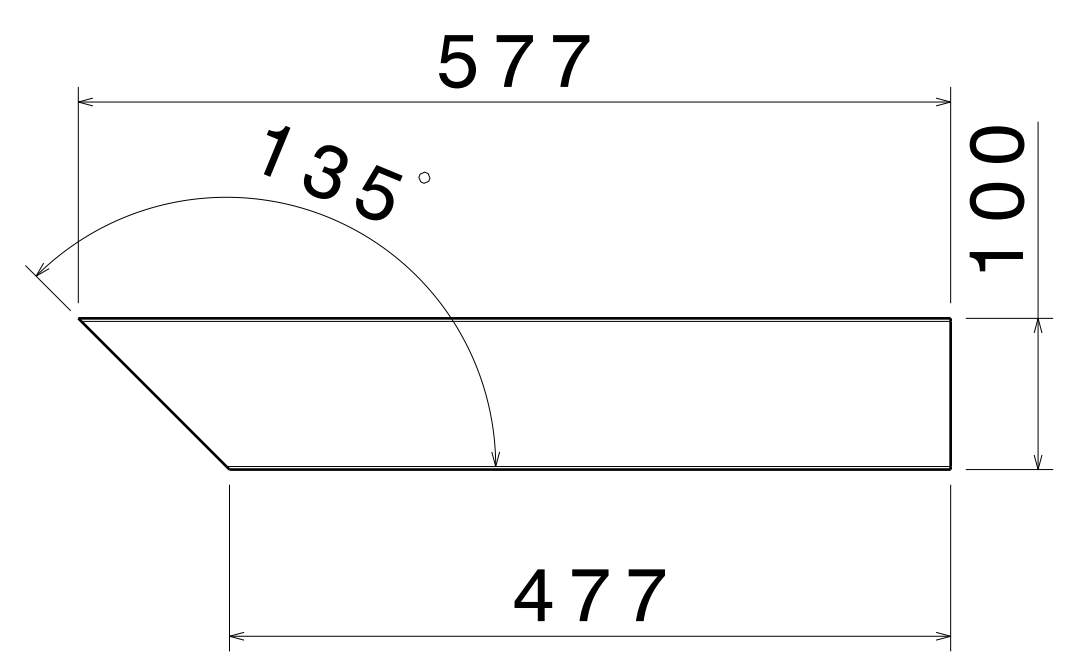
REV	DATE	DESCRIPTION
00	20APR2021	INITIAL REVISION



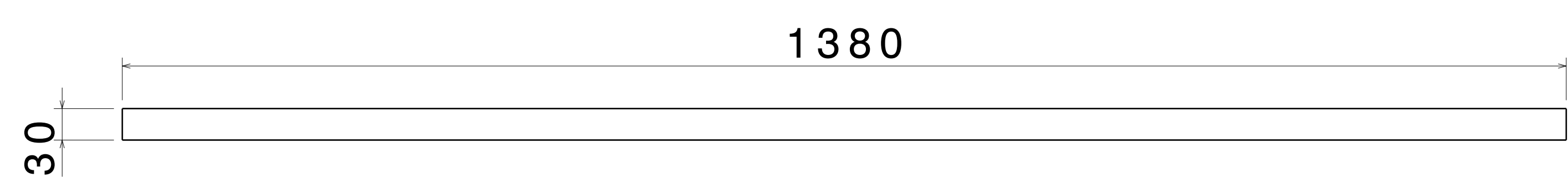
PART 1



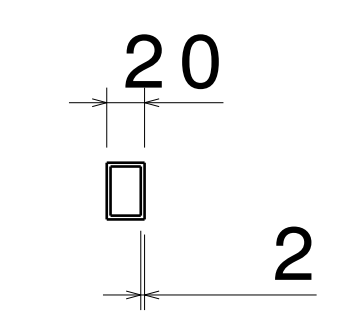
Right view
Scale: 1:1



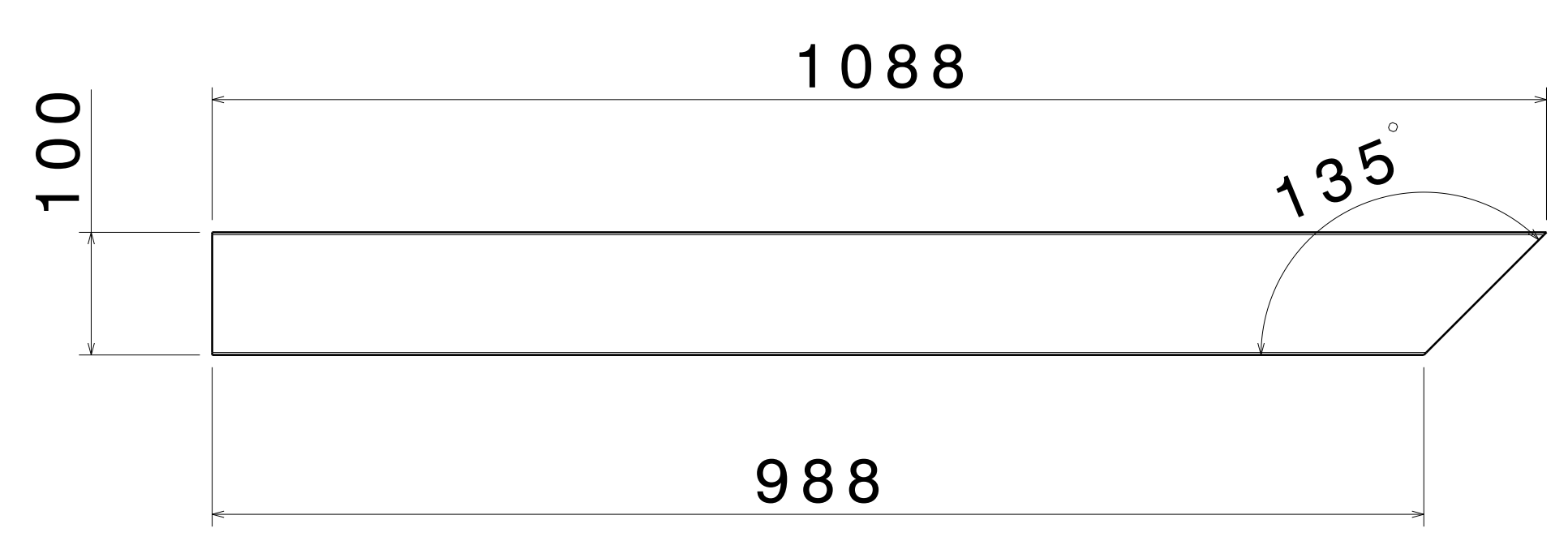
PART 2



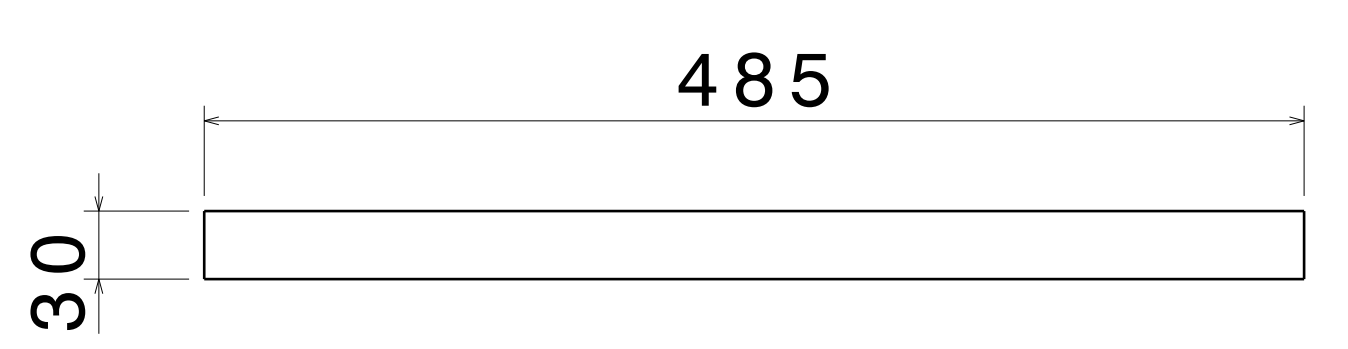
PART 5



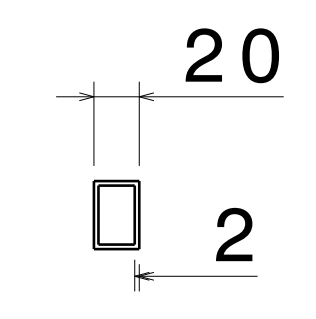
Right view
Scale: 1:4



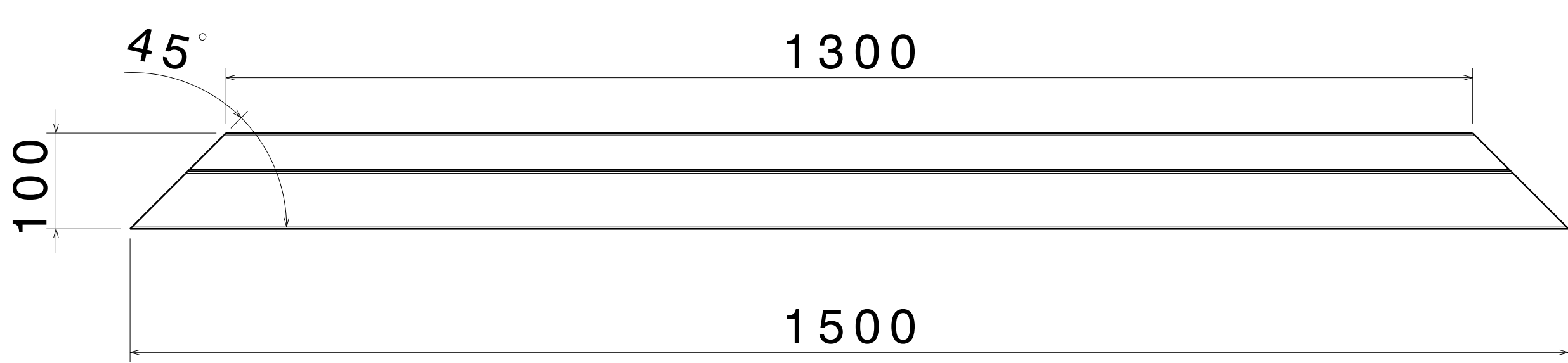
PART 3



PART 6



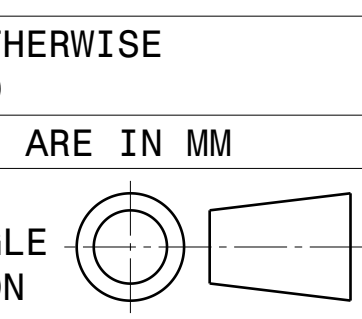
Right view
Scale: 3:10



PART 4

NOTE:- PART 1 TO 5 RIGHT SIDE VIEWS ARE THE SAME

UNLESS OTHERWISE SPECIFIED DIMENSION ARE IN MM
VIEWS: THIRD ANGLE PROJECTION



This drawing is our property. It can't be reproduced or communicated without our written agreement.
www.p2p.ind.in

DRAWN BY	DATE
SB	20APR2021
CHECKED BY	DATE
P2P Analysis & Solutions	20APR2021
DESIGNED BY	DATE
P2P Analysis & Solutions	20APR2021

APL APOLLO TUBES LTD.	
DRAWING TITLE	
DECORATE STAND	
SIZE	DRAWING NUMBER
A0	P2P APR 21-12
REV	00
SCALE	NONE
WEIGHT (kg)	XXX
SHEET 3 OF 3	