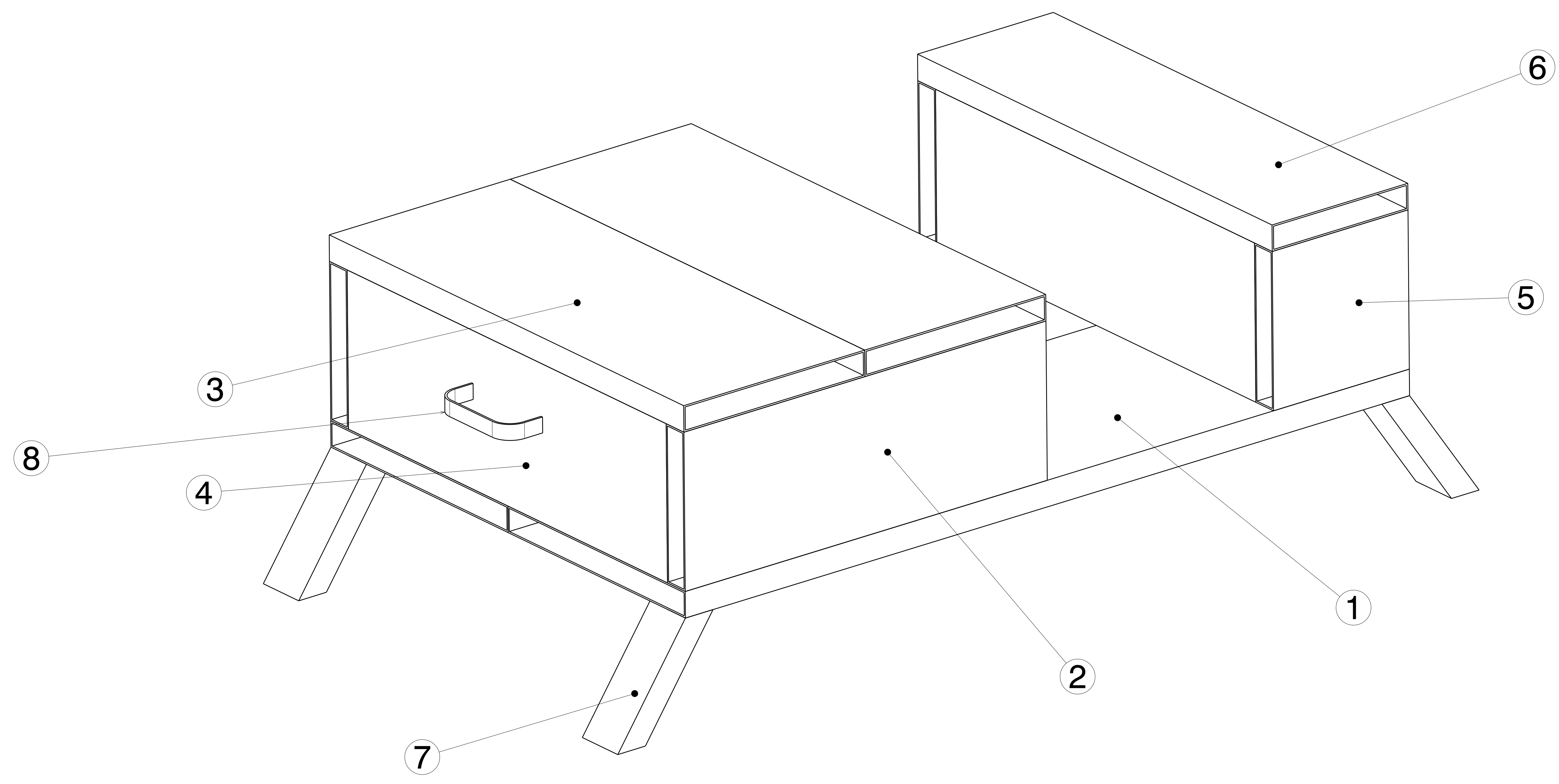


REV/DATE	DESCRIPTION
00 / 26APR2021	INITIAL REVISION

- NOTES:
- (⊥) ALL VERTICAL SUPPORTS ARE PERPENDICULAR.
  - FLATNESS OF .5MM IS APPLIED BY DEFAULT.
  - ⊲ WELD BEAD OF 2MM RADIUS IS FOLLOWED.
  - ▽▽ SURFACE FINISH MEDIUM TO SMOOTH IS USED.
  - ALL TUBES ARE AS PER APL APOLLO STANDARD. CHANGES MAY EFFECT THE LOAD CAPACITY.
  - ALL HORIZONTAL AND VERTICAL TUBES ARE PERPENDICULAR TO EACH OTHER WITH ±1 DEG.
  - FINE WELDING IS REQUIRED AS PER MENTIONED DETAILS AND FINISHING.
  - HIGHER CURRENT WELDING MAY AFFECT THE BRITTLENESS OF MATERIAL WHICH LATER MAY RAISE TO WEAKENING OF STRUCTURE.
  - FABRICATORS ARE ALLOWED TO USE FITTINGS/FRAMES/SUPPORTS AS NEEDED AND THE SAME MUST BE COMMUNICATED BACK TO ENGINEERING TEAM.
  - BOP COMPONENT WEIGHTS ARE FOR REFERENCE ONLY AND SUBJECTED TO CHANGE PER PURCHASED COMPONENTS.



Isometric view  
Scale: 1:2

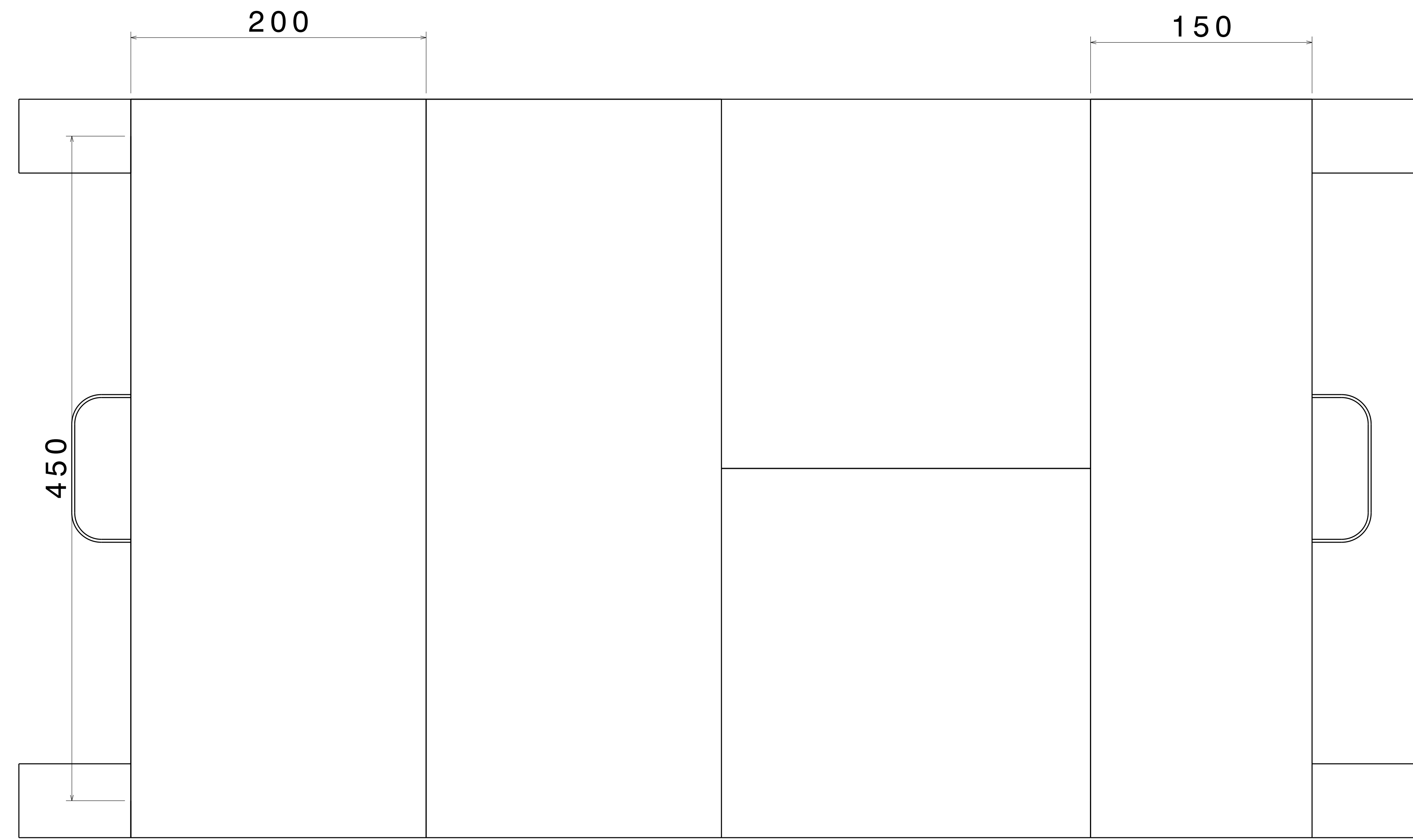
ITEM NO.	PART NUMBER	DESCRIPTION	QTY.	Wt (Kg)/Each
8	HANDLE-BOP	--	--	--
7	RHS FRAME	50 X 25 X 2 X 150	4	0.30
6	PLANK 6	150 X 25 X 1.6 X 500	1	2.15
5	PLANK 5	150 X 25 X 1.6 X 150	2	0.65
4	PLANK 4	150 X 25 X 1.6 X 450	4	1.95
3	PLANK 3	200 X 25 X 1.6 X 500	2	2.80
2	PLANK 2	150 X 25 X 1.6 X 400	2	1.70
1	PLANK 1	250 X 25 X 1.6 X 800	2	5.45

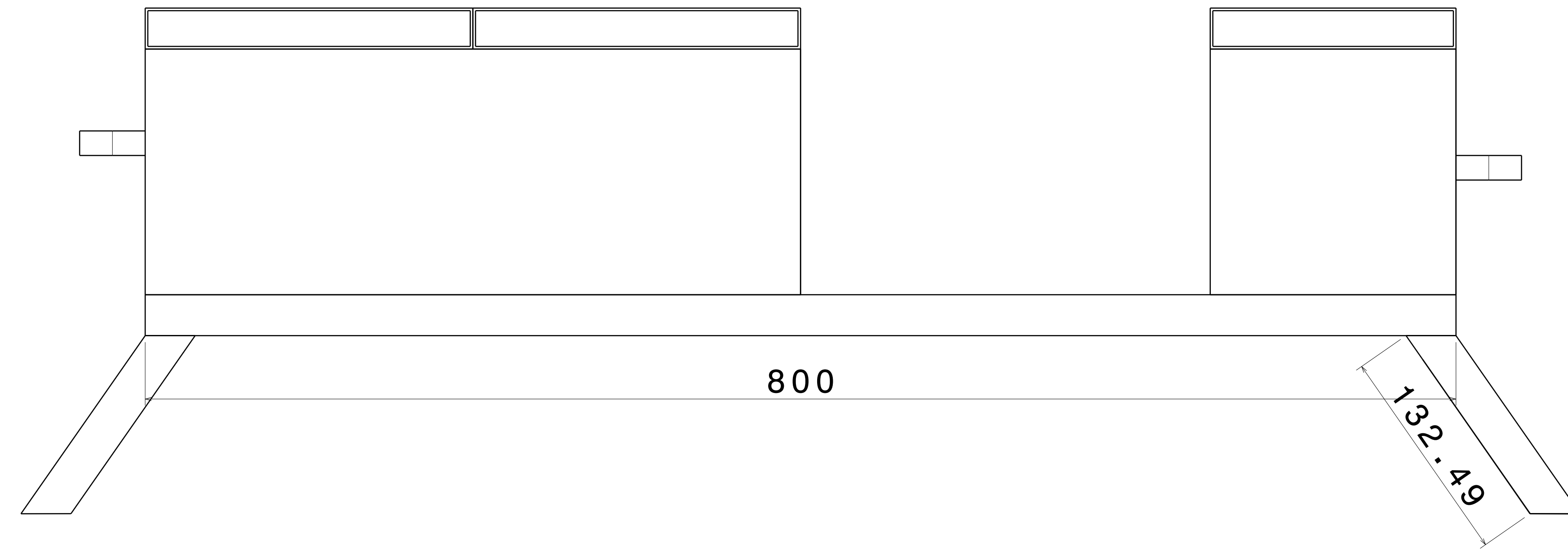
This drawing is our property. It can't be reproduced or communicated without our written agreement. www.p2p.ind.in		<b>APL APOLLO TUBES LTD.</b>	
DRAWN BY <b>RR</b>		DATE 26APR2021	
CHECKED BY P2P Analysis & Solutions		DATE 26APR2021	
DESIGNED BY 		DATE 26APR2021	
UNLESS OTHERWISE SPECIFIED DIMENSION ARE IN MM VIEWS: THIRD ANGLE PROJECTION		SIZE <b>A0</b>	DRAWING NUMBER <b>P2P APR 21-17</b>
		SCALE As Indicated	WEIGHT (kg) 0kg
		SHEET 1 OF 3	

UNLESS OTHERWISE SPECIFIED DIMENSION ARE IN MM  
VIEWS: THIRD ANGLE PROJECTION

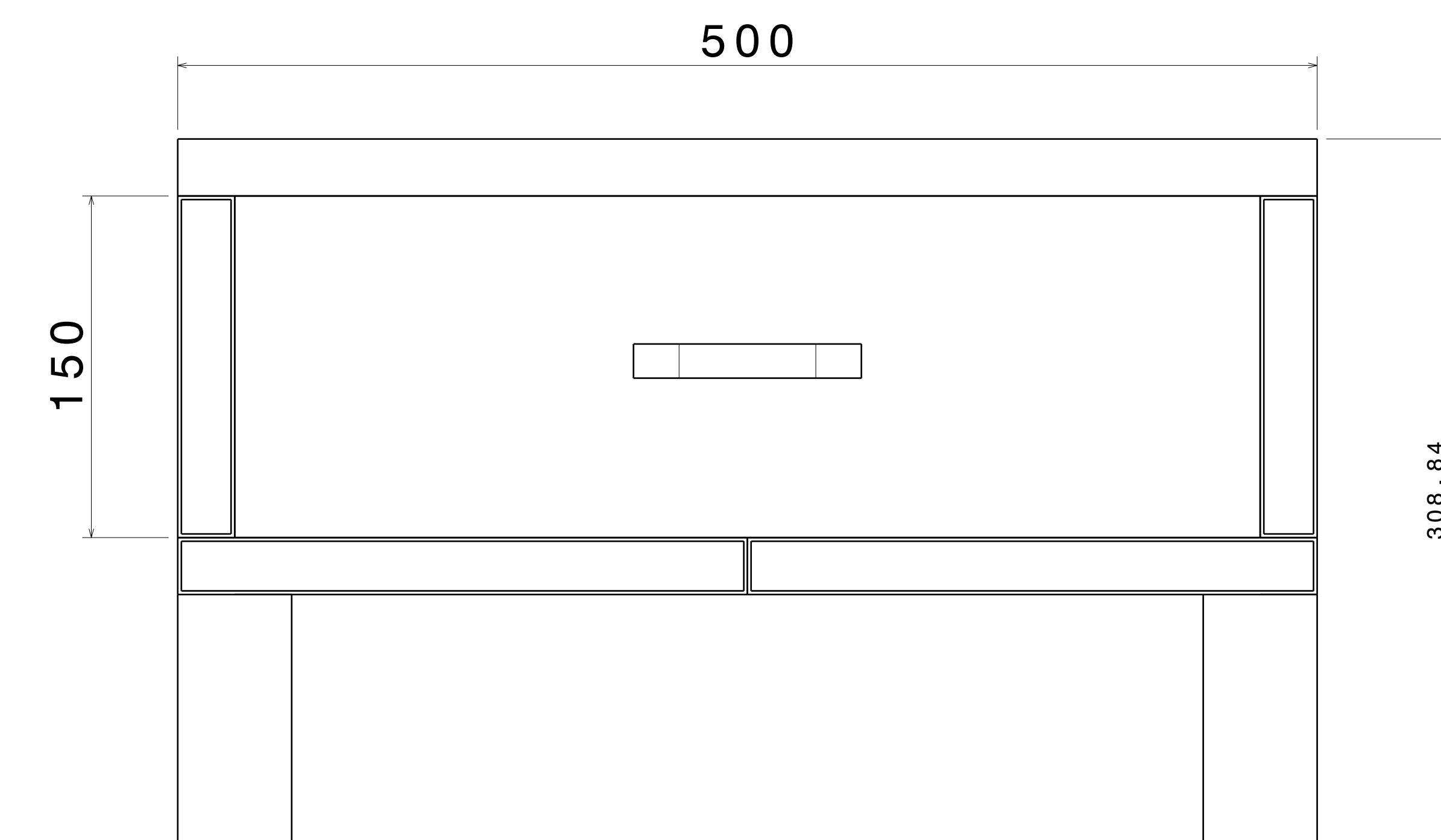
REV	DATE	DESCRIPTION
00	26APR2021	INITIAL REVISION



Top view  
Scale: 1:2

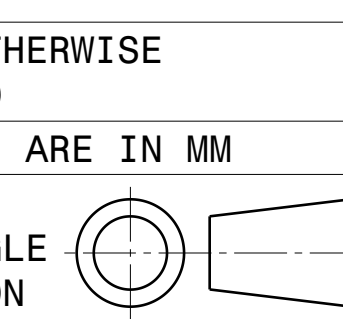


Front view  
Scale: 1:2




Right view  
Scale: 1:2

UNLESS OTHERWISE SPECIFIED DIMENSION ARE IN MM  
VIEWS: THIRD ANGLE PROJECTION

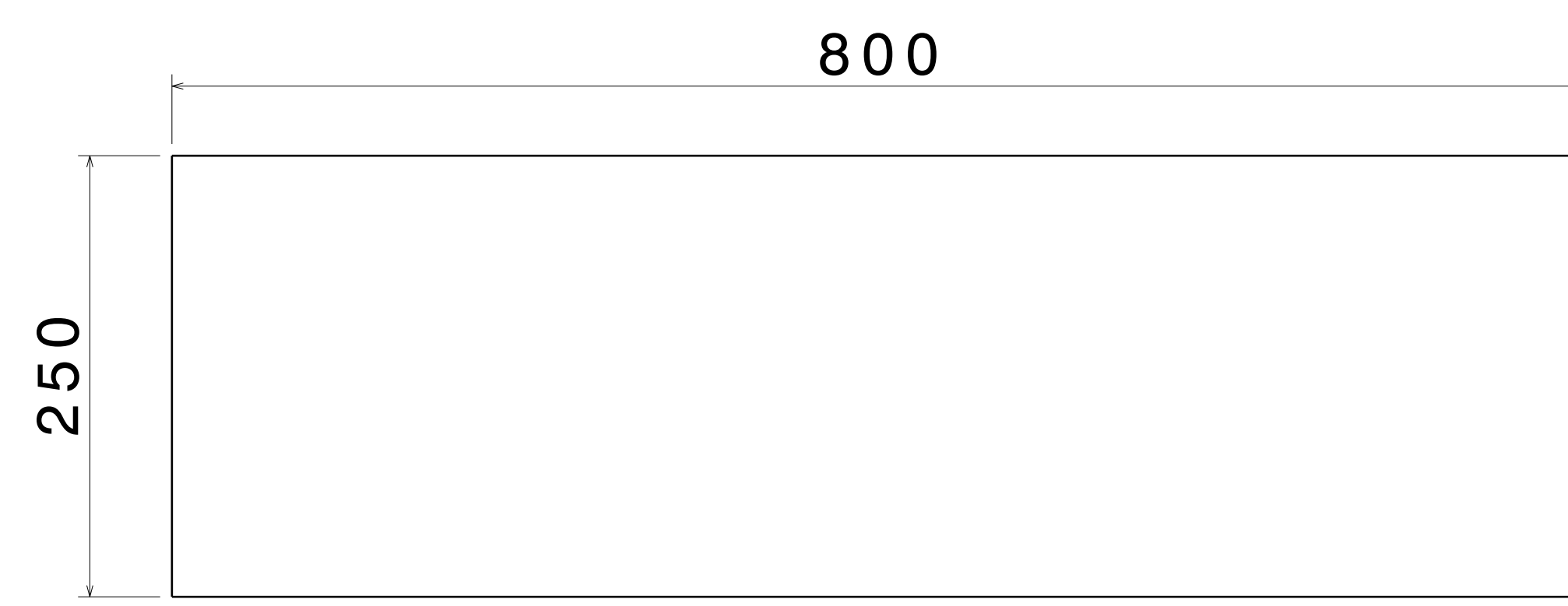


This drawing is our property. It can't be reproduced or communicated without our written agreement.  
www.p2p.ind.in

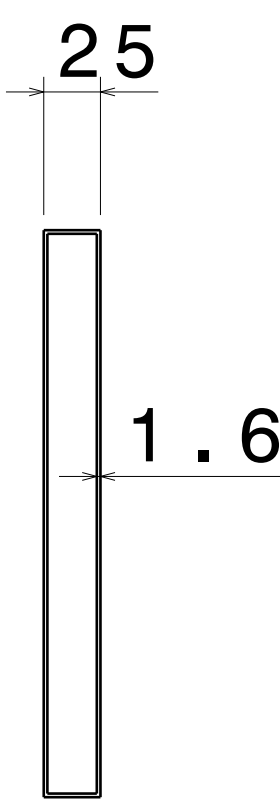
DRAWN BY	DATE
SB	26APR2021
CHECKED BY	DATE
P2P Analysis & Solutions	26APR2021
DESIGNED BY	DATE
P2P Analysis & Solutions	26APR2021

APL APOLLO TUBES LTD. 	
DRAWING TITLE	
TEAPOY	
SIZE	DRAWING NUMBER
A0	P2P APR 21-17
SCALE	WEIGHT (kg)
NONE	XXX
REV	SHEET 2 OF 3
00	

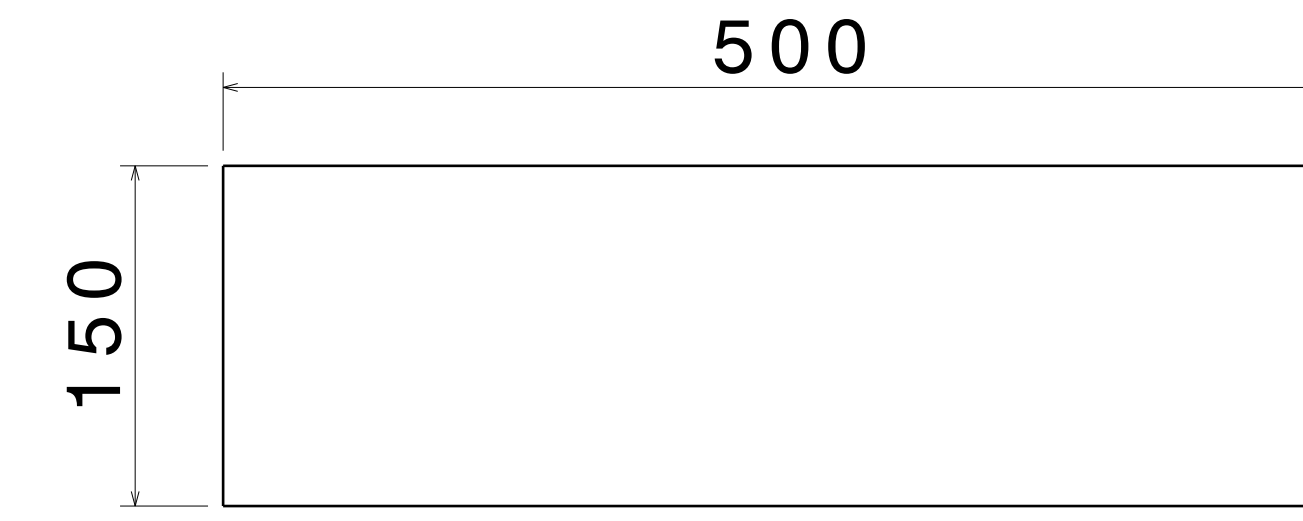
REV	DATE	DESCRIPTION
00	26APR2021	INITIAL REVISION



ITEM 1

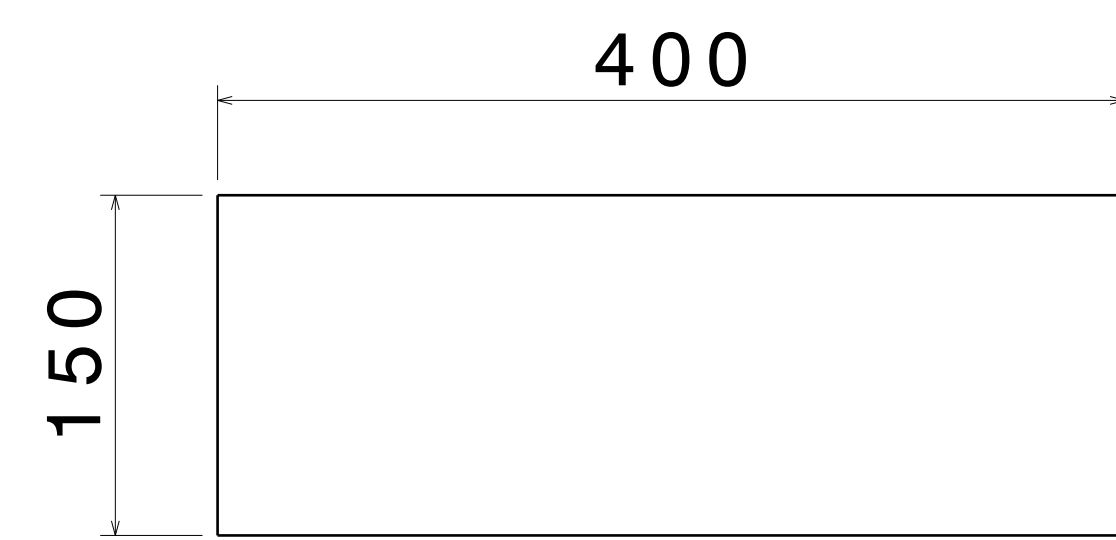


Right view  
Scale: 3:10

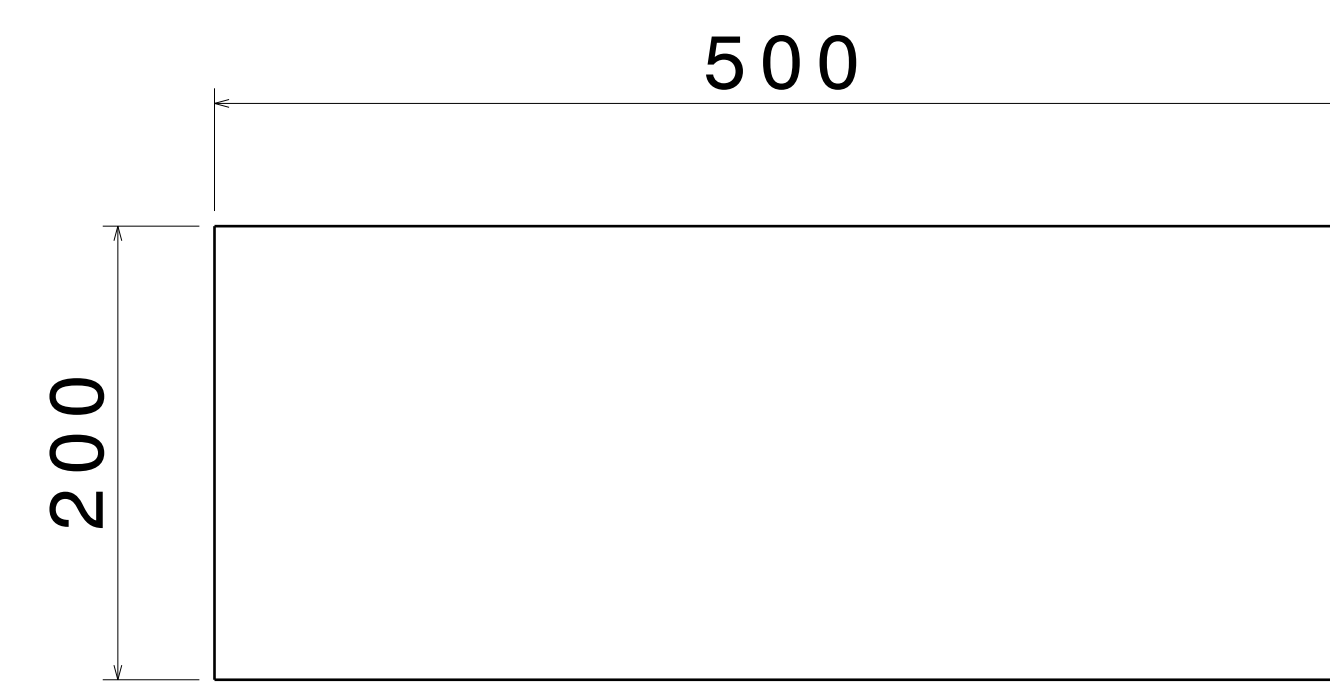


ITEM 6

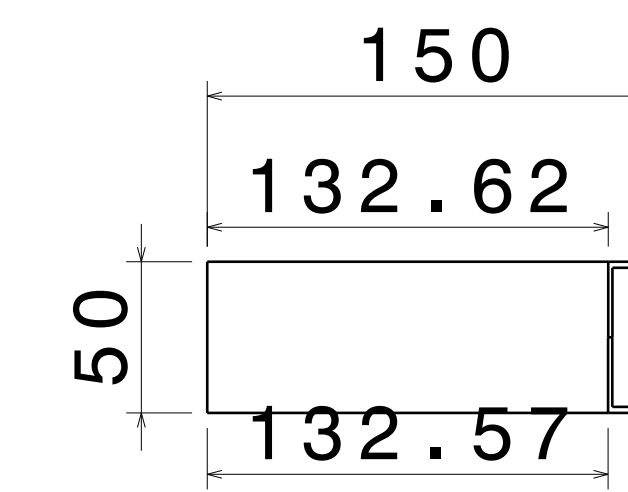
NOTE :- ITEM 1 TO 6 ALL RIGHT SIDE VIEWS ARE THE SAME



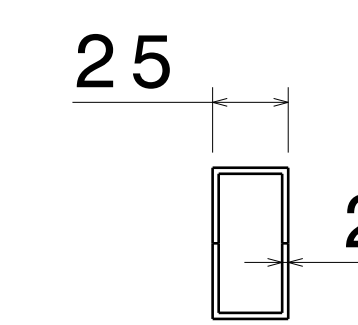
ITEM 2



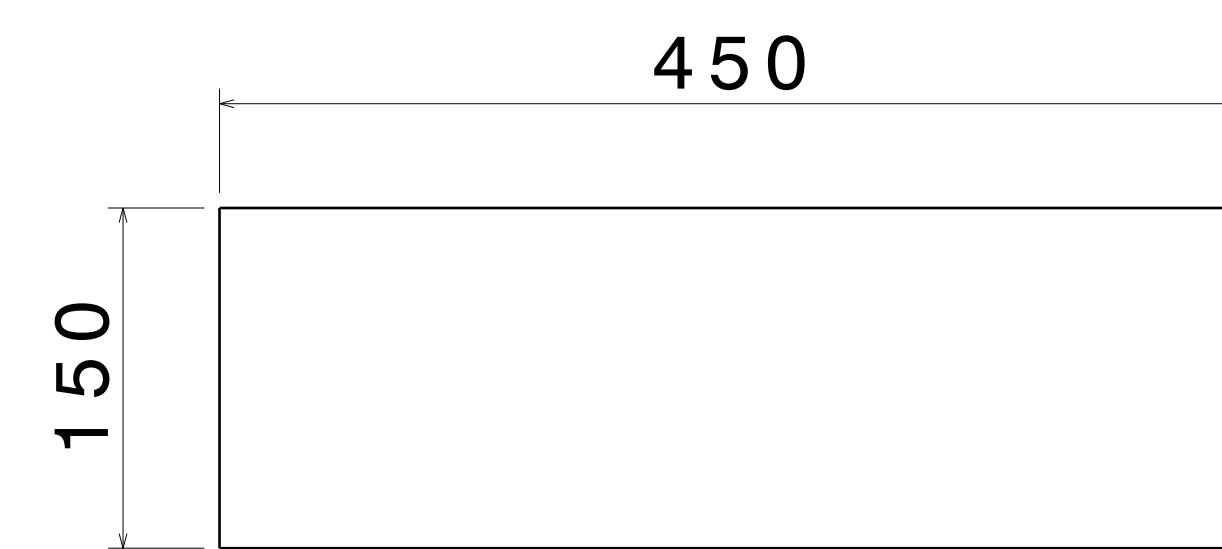
ITEM 3



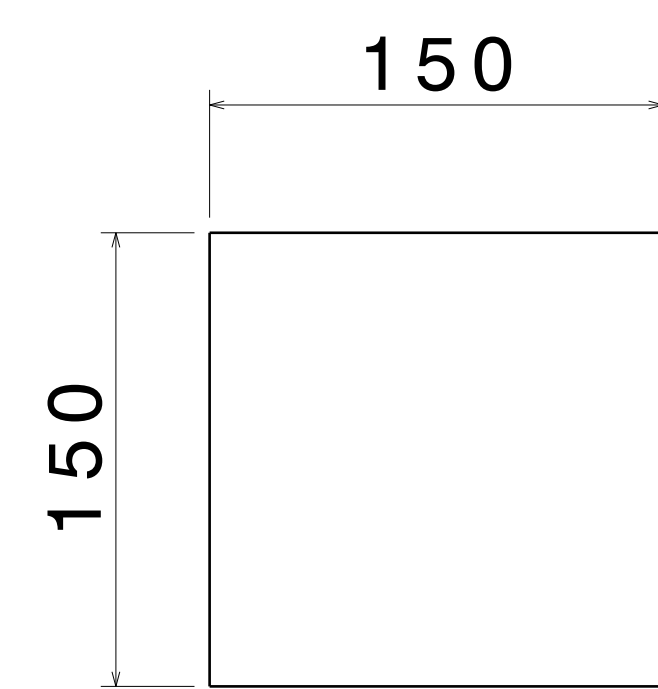
ITEM 7



Right view  
Scale: 2:5



ITEM 4



ITEM 5

This drawing is our property.  
It can't be reproduced  
or communicated without  
our written agreement.  
www.p2p.ind.in

APL APOLLO TUBES LTD. 

DRAWN BY	DATE
SB	26APR2021
CHECKED BY	DATE
P2P Analysis & Solutions	26APR2021
DESIGNED BY	DATE
P2P Analysis & Solutions	26APR2021

DRAWING TITLE		TEAPOY	
SIZE	DRAWING NUMBER	REV	
A0	P2P APR 21-17	00	
SCALE	NONE	WEIGHT (kg)	XXX
			SHEET 3 OF 3

UNLESS OTHERWISE SPECIFIED  
DIMENSION ARE IN MM  
VIEWS:  
THIRD ANGLE PROJECTION

