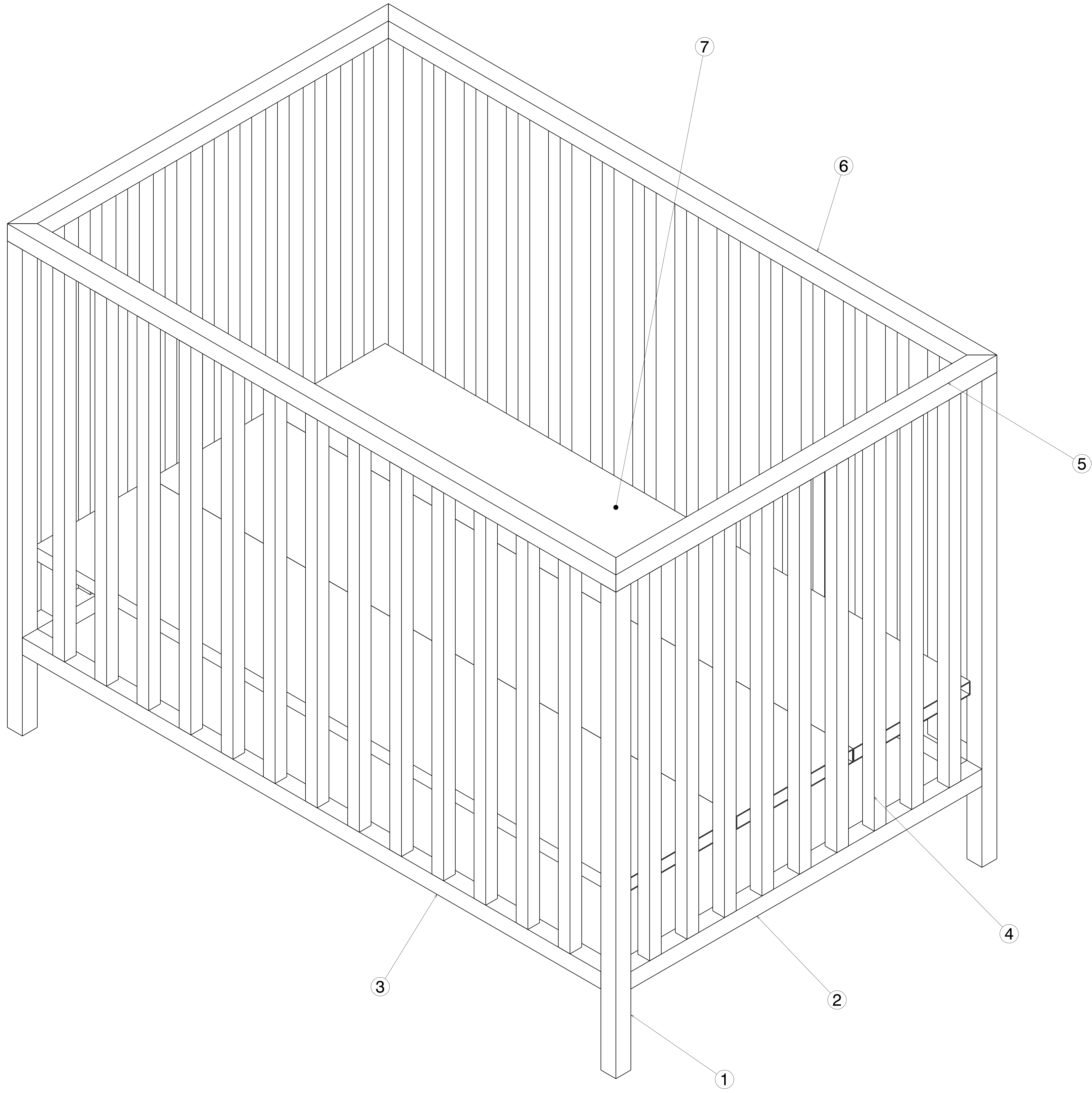


REV/DATE	DESCRIPTION
00 / 10OCT2020	INITIAL REVISION

- NOTES:
- (⊥) ALL VERTICAL SUPPORTS ARE PERPENDICULAR.
 - FLATNESS OF .5MM IS APPLIED BY DEFAULT.
 - ⊲ WELD BEAD OF 2MM RADIUS IS FOLLOWED.
 - ▽ SURFACE FINISH MEDIUM TO SMOOTH IS USED.
 - ALL TUBES ARE AS PER APL APOLLO STANDARD. CHANGES MAY EFFECT THE LOAD CAPACITY.
 - ALL HORIZONTAL AND VERTICAL TUBES ARE PERPENDICULAR TO EACH OTHER WITH ±1 DEG.
 - FINE WELDNG IS REQUIRED AS PER MENTIONED DETAILS AND FINISHING.
 - HIGHER CURRENT WELDING MAY AFFECT THE BRITTLNESS OF MATERIAL WHICH LATER MAY RAISE TO WEAKENING OF STRUCTURE.
 - FABRICATORS ARE ALLOWED TO USE FITTINGS/FRAMES/SUPPORTS AS NEEDED AND THE SAME MUST BE COMMUNICATED BACK TO ENGINEERING TEAM.
 - BOP COMPONENT WEIGHTS ARE FOR REFERENCE ONLY AND SUBJECTED TO CHANGE PER PURCHASED COMPONENTS.



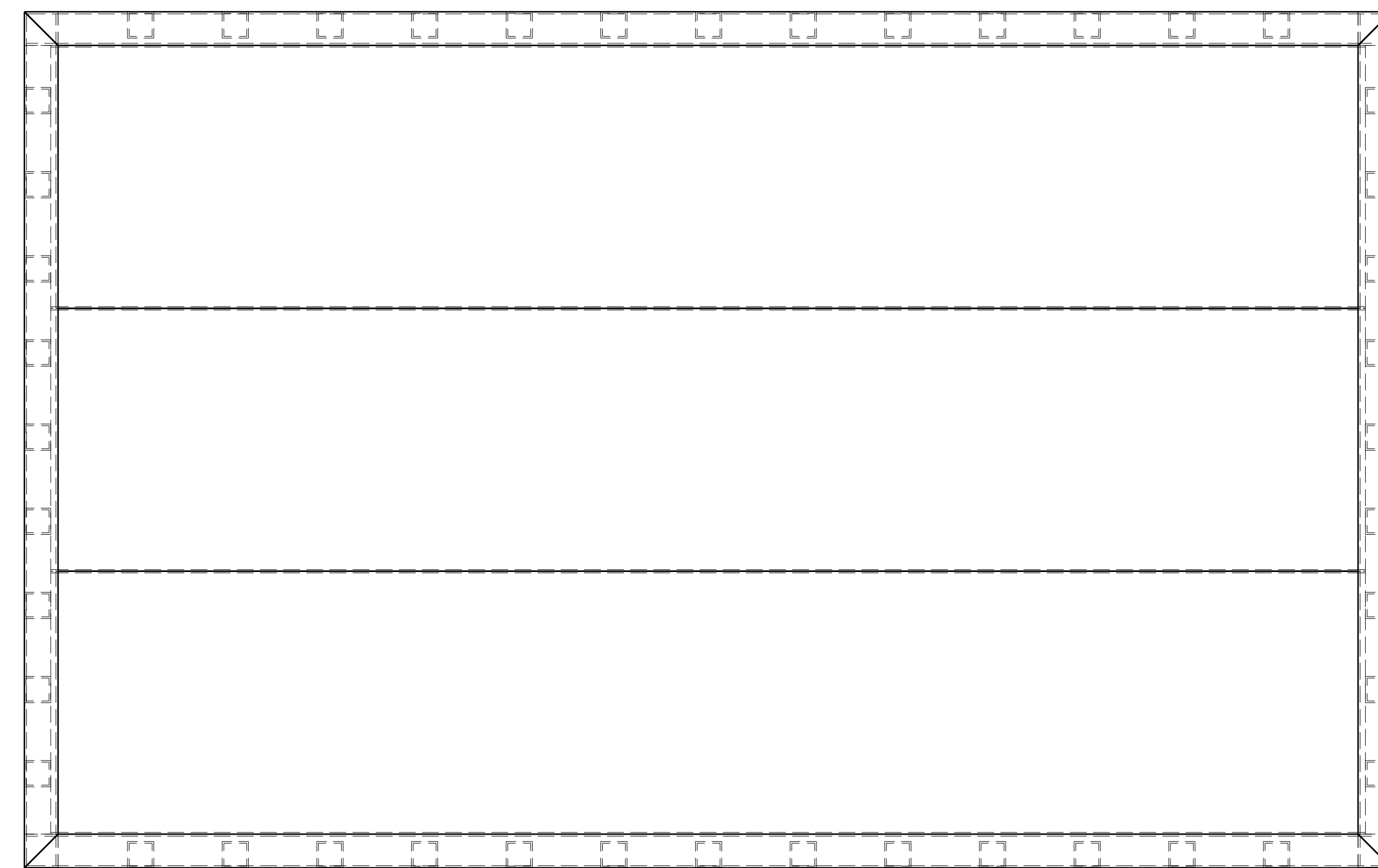
Isometric view

ITEM NO.	PART NUMBER	DESCRIPTION	QTY.	Wt (Kg)/Each
7	PLANK 1	250 X 25 X 1.6 X 1250	3	8.55
6	SQ FRAME 6	32 X 32 X 2 X 1300	2	2.39
5	SQ FRAME 5	32 X 32 X 2 X 814	2	1.48
4	SQ FRAME 4	25 X 25 X 1.6 X 718	44	0.85
3	SQ FRAME 3	32 X 32 X 2 X 1236	2	2.33
2	SQ FRAME 2	32 X 32 X 2 X 750	2	1.42
1	SQ FRAME 1	32 X 32 X 2 X 900	4	6.8

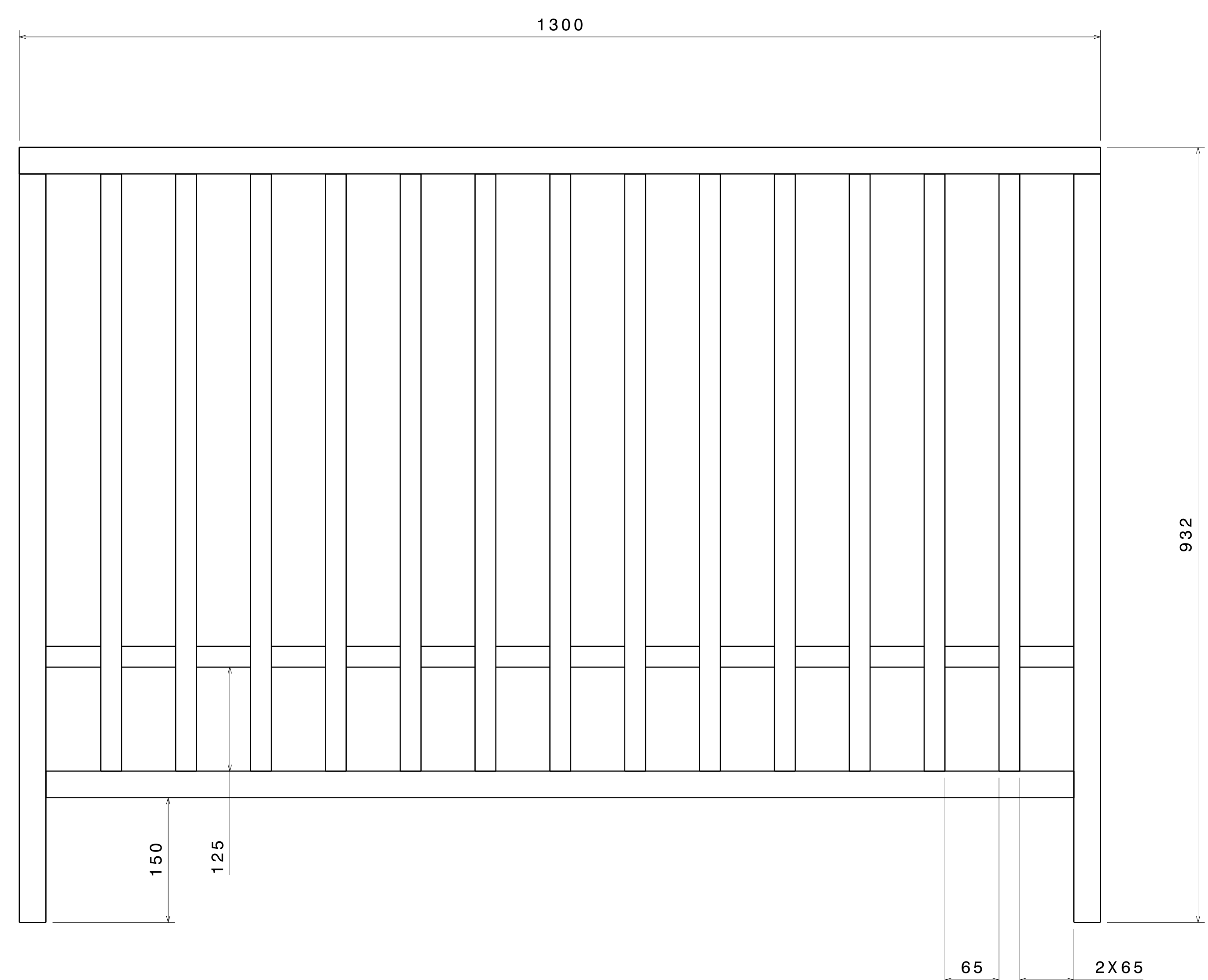
UNLESS OTHERWISE SPECIFIED DIMENSION ARE IN MM
 VIEWS: THIRD ANGLE PROJECTION

This drawing is our property. It can't be reproduced or communicated without our written agreement.		APL APOLLO TUBES LTD.	
DRAWN BY SB		DATE 10OCT2020	
CHECKED BY P2P Analysis & Solutions		DATE 10OCT2020	
DESIGNED BY P2P Analysis & Solutions		DATE 10OCT2020	
DRAWING TITLE BABY SAFETY BED		SIZE A0	DRAWING NUMBER P2P BABY SAFETY BED
SCALE As Indicated		WEIGHT(kg) 0kg	REV 00
		SHEET 1 OF 3	

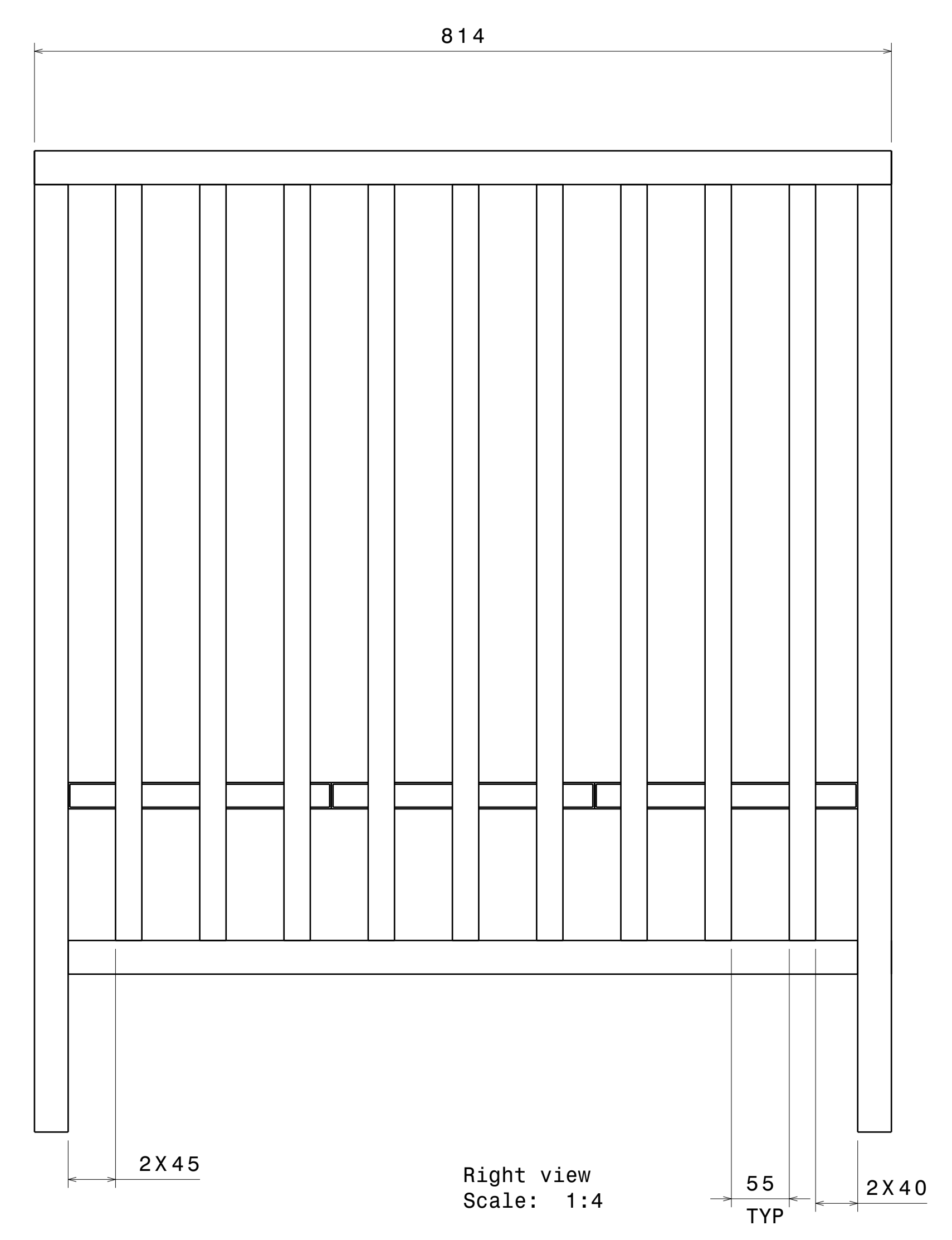
REV	DATE	DESCRIPTION
00	10OCT2020	INITIAL REVISION



Top view
Scale: 1:4



Front view
Scale: 1:4



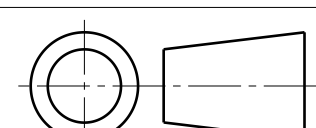
Right view
Scale: 1:4

This drawing is our property. It can't be reproduced or communicated without our written agreement.

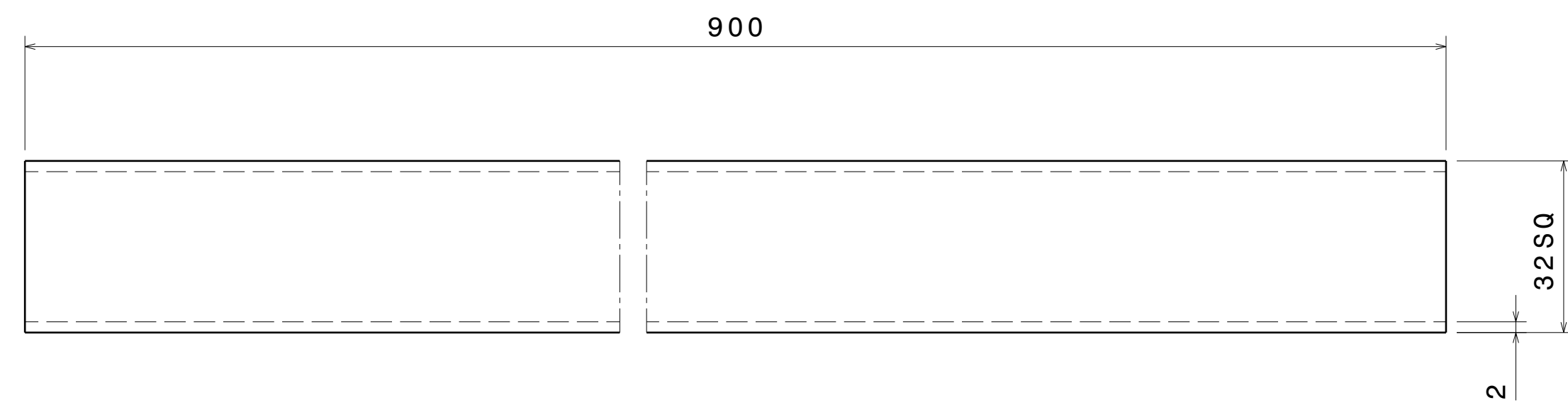
APL APOLLO TUBES LTD. 

DRAWN BY	DATE
SB	10OCT2020
CHECKED BY	DATE
P2P Analysis & Solutions	10OCT2020
DESIGNED BY	DATE
P2P Analysis & Solutions	10OCT2020

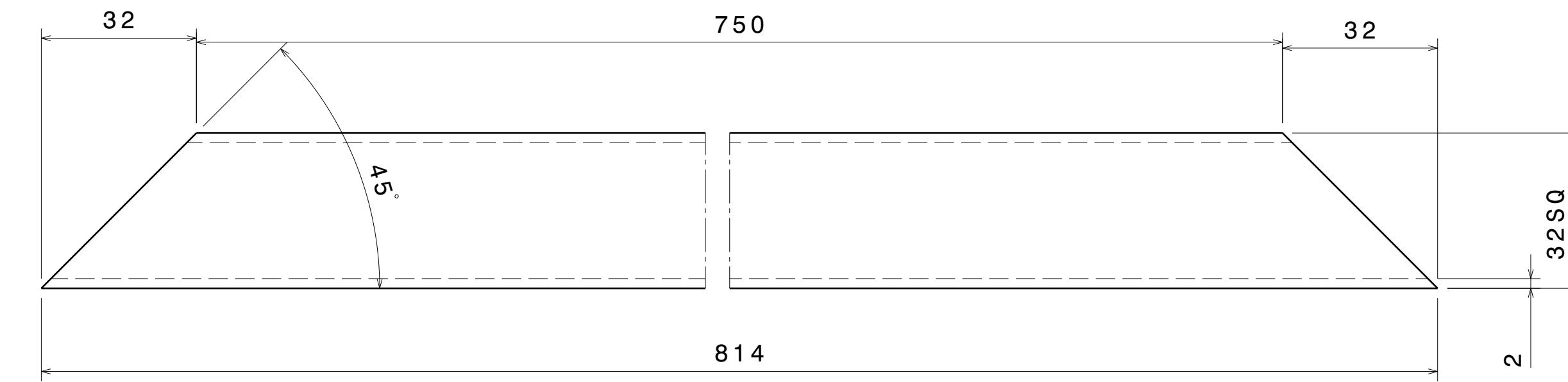
DRAWING TITLE			
BABY SAFETY BED			
SIZE	DRAWING NUMBER	REV	
A0	P2P BABY SAFETY BED	00	
SCALE	NONE	WEIGHT (kg)	XXX
			SHEET 2 OF 3

UNLESS OTHERWISE SPECIFIED DIMENSION ARE IN MM VIEWS: THIRD ANGLE PROJECTION 

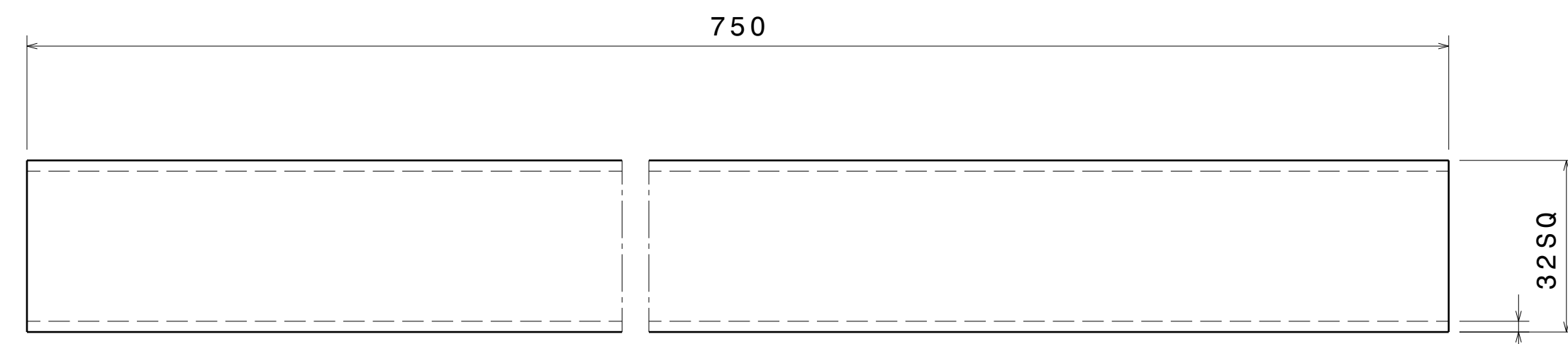
REV	DATE	DESCRIPTION
00	10OCT2020	INITIAL REVISION



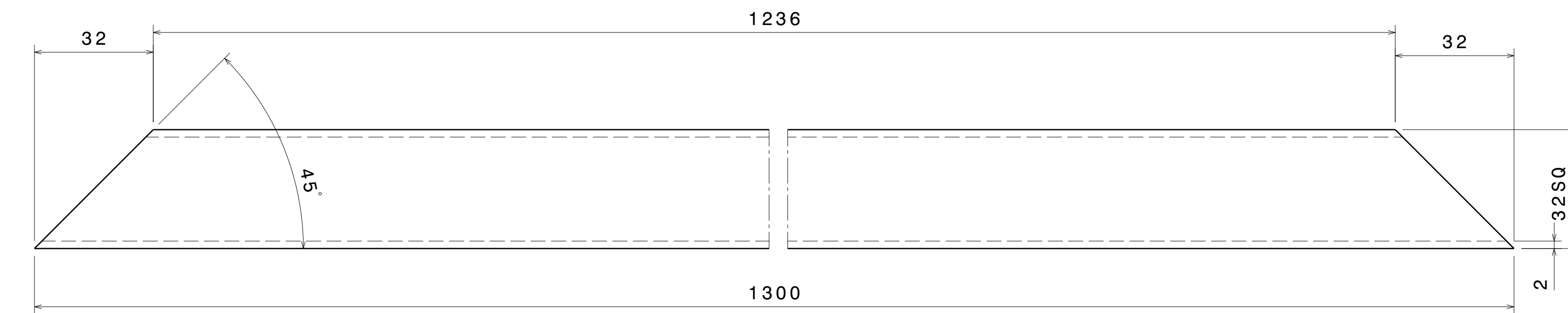
ITEM 1



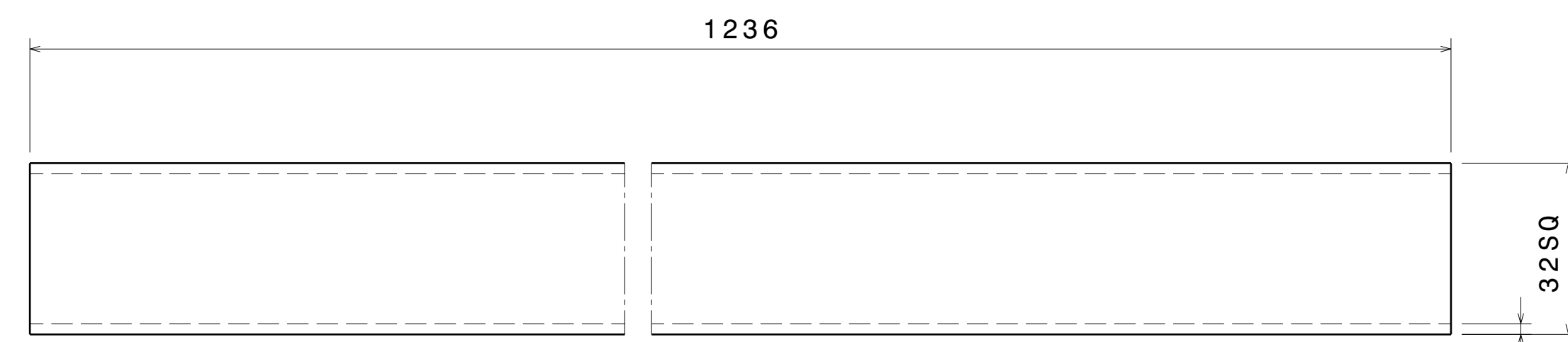
ITEM 5



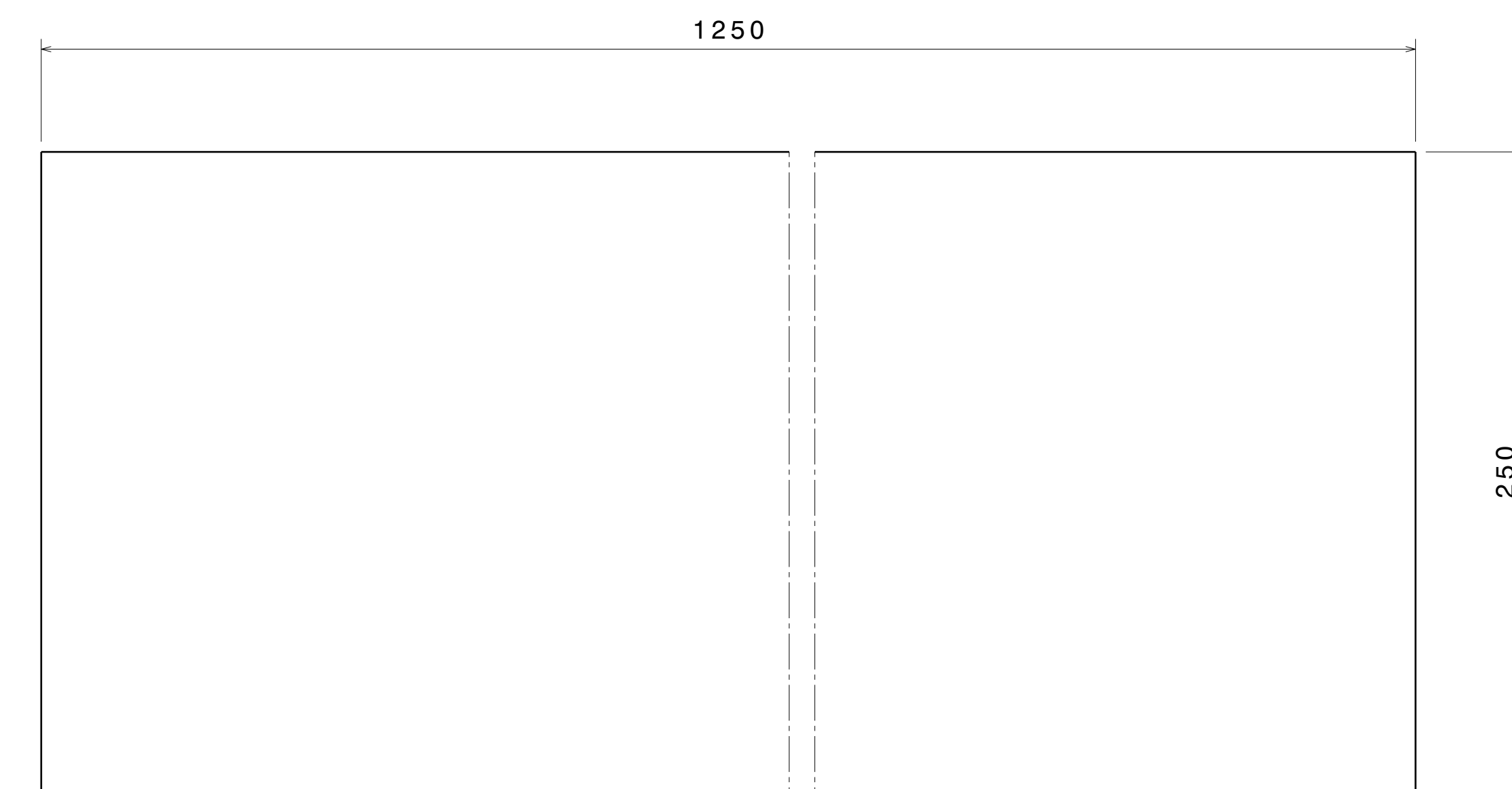
ITEM 2



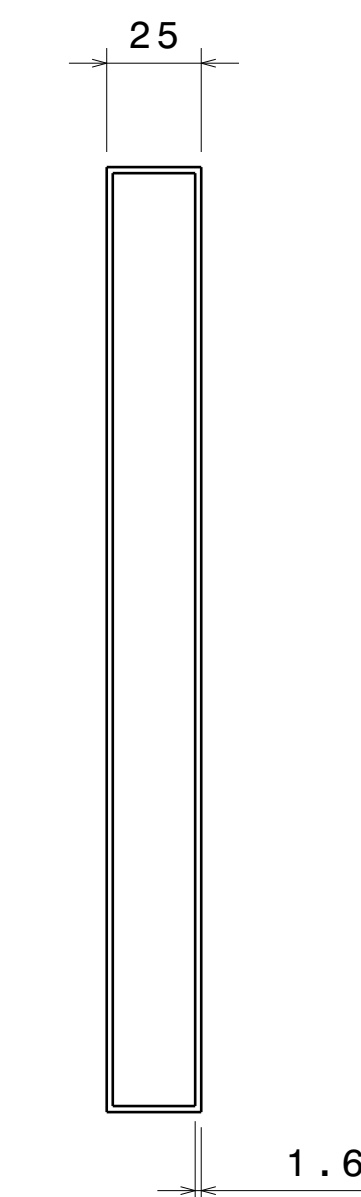
ITEM 6



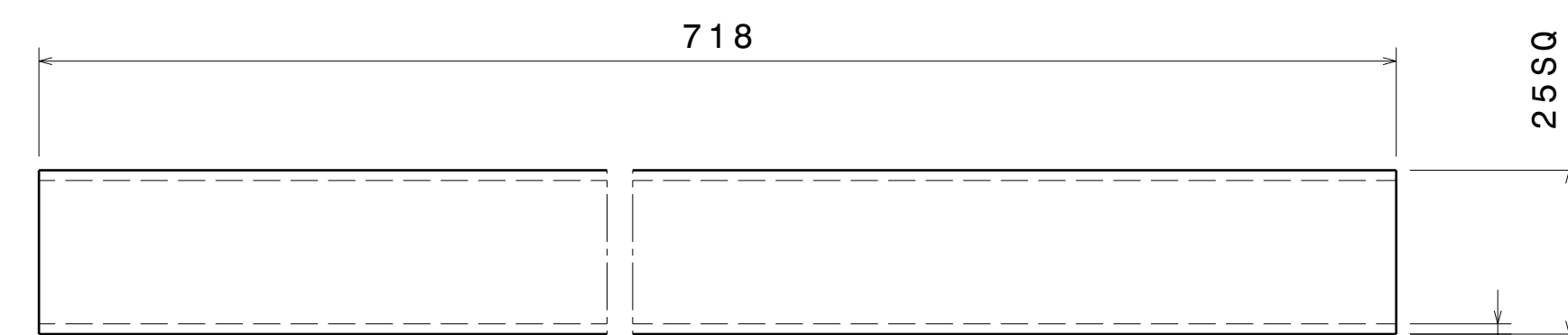
ITEM 3



ITEM 7

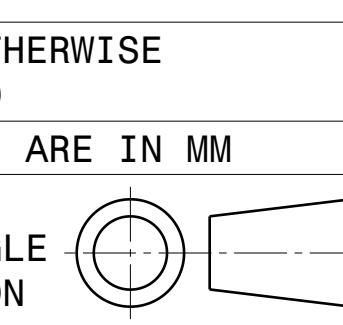


Right view
Scale: 1:2



ITEM 4

UNLESS OTHERWISE SPECIFIED DIMENSION ARE IN MM
VIEWS: THIRD ANGLE PROJECTION



This drawing is our property. It can't be reproduced or communicated without our written agreement.

DRAWN BY	DATE
SB	10OCT2020
CHECKED BY	DATE
P2P Analysis & Solutions	10OCT2020
DESIGNED BY	DATE
P2P Analysis & Solutions	10OCT2020

APL APOLLO TUBES LTD. 	
DRAWING TITLE	
BABY SAFETY BED	
SIZE	DRAWING NUMBER
A0	P2P BABY SAFETY BED
SCALE	WEIGHT (kg)
NONE	XXX
REV	SHEET 3 OF 3
00	