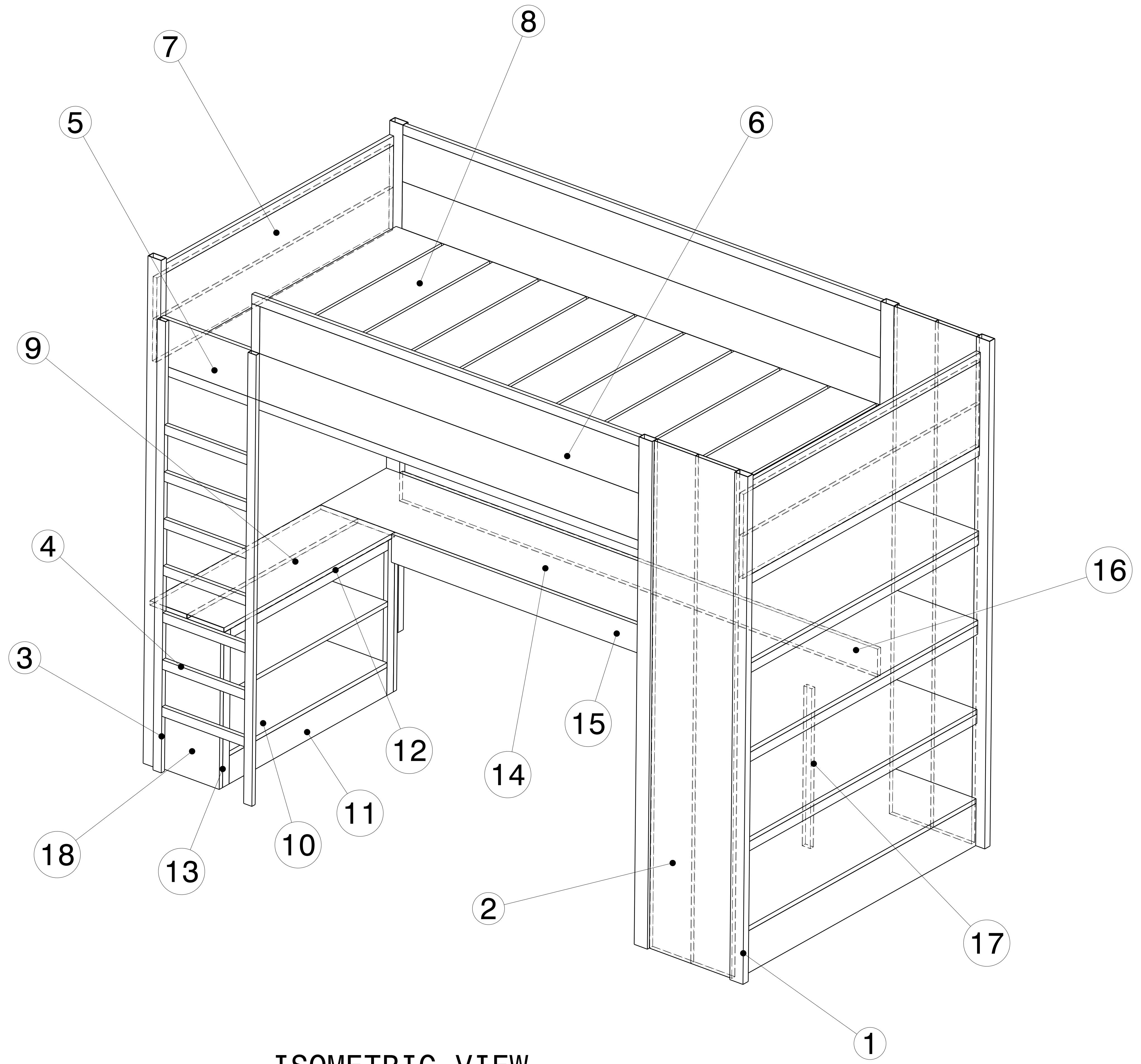


REV/DATE	DESCRIPTION
00 / 14OCT2020	INITIAL REVISION

- NOTES:
- (⊥) ALL VERTICAL SUPPORTS ARE PERPENDICULAR.
  - FLATNESS OF .5MM IS APPLIED BY DEFAULT.
  - ⊲ WELD BEAD OF 2MM RADIUS IS FOLLOWED.
  - ▽ SURFACE FINISH MEDIUM TO SMOOTH IS USED.
  - ALL TUBES ARE AS PER APL APOLLO STANDARD. CHANGES MAY EFFECT THE LOAD CAPACITY.
  - ALL HORIZONTAL AND VERTICAL TUBES ARE PERPENDICULAR TO EACH OTHER WITH ±1 DEG.
  - FINE WELDING IS REQUIRED AS PER MENTIONED DETAILS AND FINISHING.
  - HIGHER CURRENT WELDING MAY AFFECT THE BRITTLENESS OF MATERIAL WHICH LATER MAY RAISE TO WEAKENING OF STRUCTURE.
  - FABRICATORS ARE ALLOWED TO USE FITTINGS/FRAMES/SUPPORTS AS NEEDED AND THE SAME MUST BE COMMUNICATED BACK TO ENGINEERING TEAM.
  - BOP COMPONENT WEIGHTS ARE FOR REFERENCE ONLY AND SUBJECTED TO CHANGE PER PURCHASED COMPONENTS.



ISOMETRIC VIEW  
SCALE : 1:10

ITEM NO.	PART NUMBER	DESCRIPTION	QTY.	Wt (Kg) /Each
18	RHS PLANK 12	225 X 25 X 1.6 X 800	4	5.12
17	RHS FRAME 6	50 X 25 X 2 X 850	1	1.90
16	RHS PLANK 11	150 X 25 X 1.6 X 2900	1	12.53
15	RHS PLANK 10	150 X 25 X 1.6 X 2500	1	10.80
14	RHS PLANK 9	250 X 25 X 1.6 X 3000	2	20.51
13	RHS FRAME 5	50 X 25 X 2 X 825	4	1.84
12	RHS FRAME 4	50 X 25 X 2 X 1200	2	2.68
11	RHS PLANK 8	150 X 25 X 1.6 X 1200	2	5.19
10	RHS PLANK 7	225 X 25 X 1.6 X 1200	4	7.45
9	RHS PLANK 6	225 X 25 X 1.6 X 1300	2	8.07
8	RHS PLANK 5	275 X 25 X 1.6 X 1800	20	13.44
7	RHS PLANK 4	225 X 25 X 1.6 X 1800	6	11.17
6	RHS PLANK 3	250 X 25 X 1.6 X 2300	1	15.72
5	RHS PLANK 2	250 X 25 X 1.6 X 2900	3	19.83
4	RHS FRAME 3	50 X 25 X 2 X 500	7	1.12
3	RHS FRAME 2	50 X 25 X 2 X 2400	2	5.36
2	RHS PLANK 1	250 X 25 X 1.6 X 2700	4	18.46
1	RHS FRAME 1	80 X 40 X 2.6 X 2700	6	12.67

This drawing is our property. It can't be reproduced or communicated without our written agreement.

APL APOLLO TUBES LTD.

DRAWING TITLE: **BED CUM SHELF**

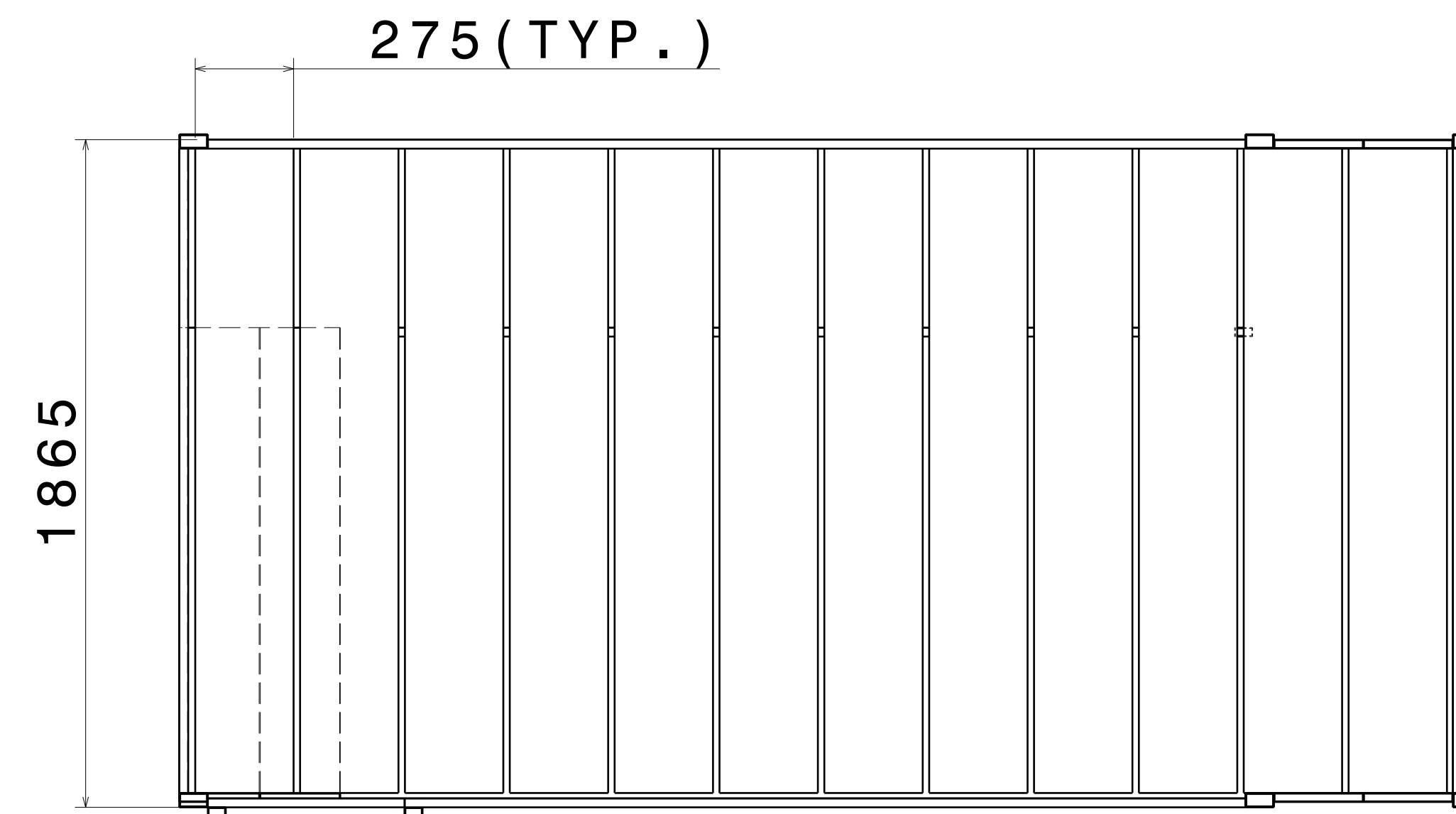
SIZE: **A0** DRAWING NUMBER: **P2P BED CUM SHELF** REV: **00**

SCALE: **As Indicated** WEIGHT (kg): **0kg** SHEET **1** OF **3**

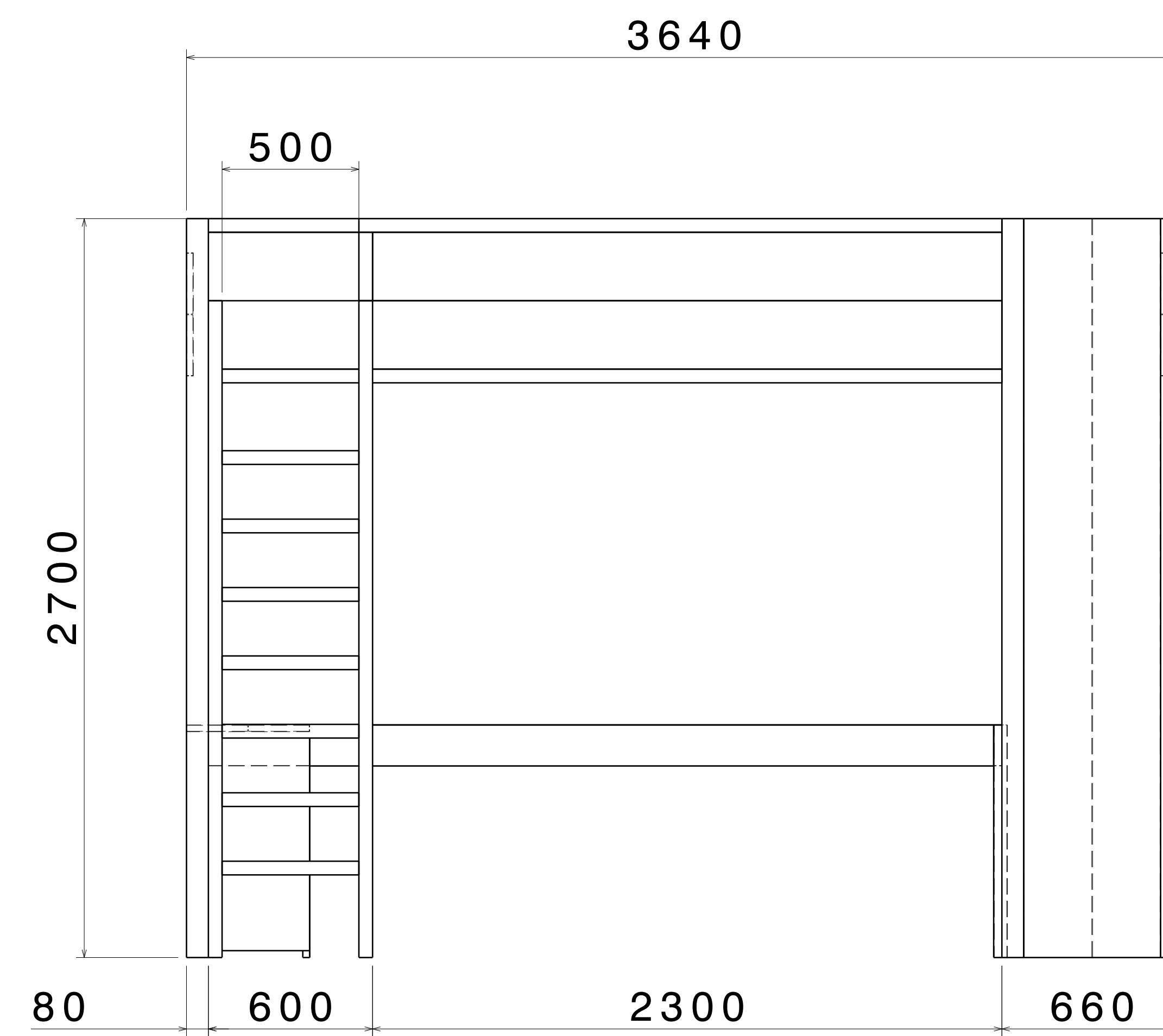
UNLESS OTHERWISE SPECIFIED DIMENSION ARE IN MM VIEWS: THIRD ANGLE PROJECTION

DRAWN BY	DATE
VM	14OCT2020
CHECKED BY	DATE
P2P Analysis & Solutions	14OCT2020
DESIGNED BY	DATE
P2P Analysis & Solutions	14OCT2020

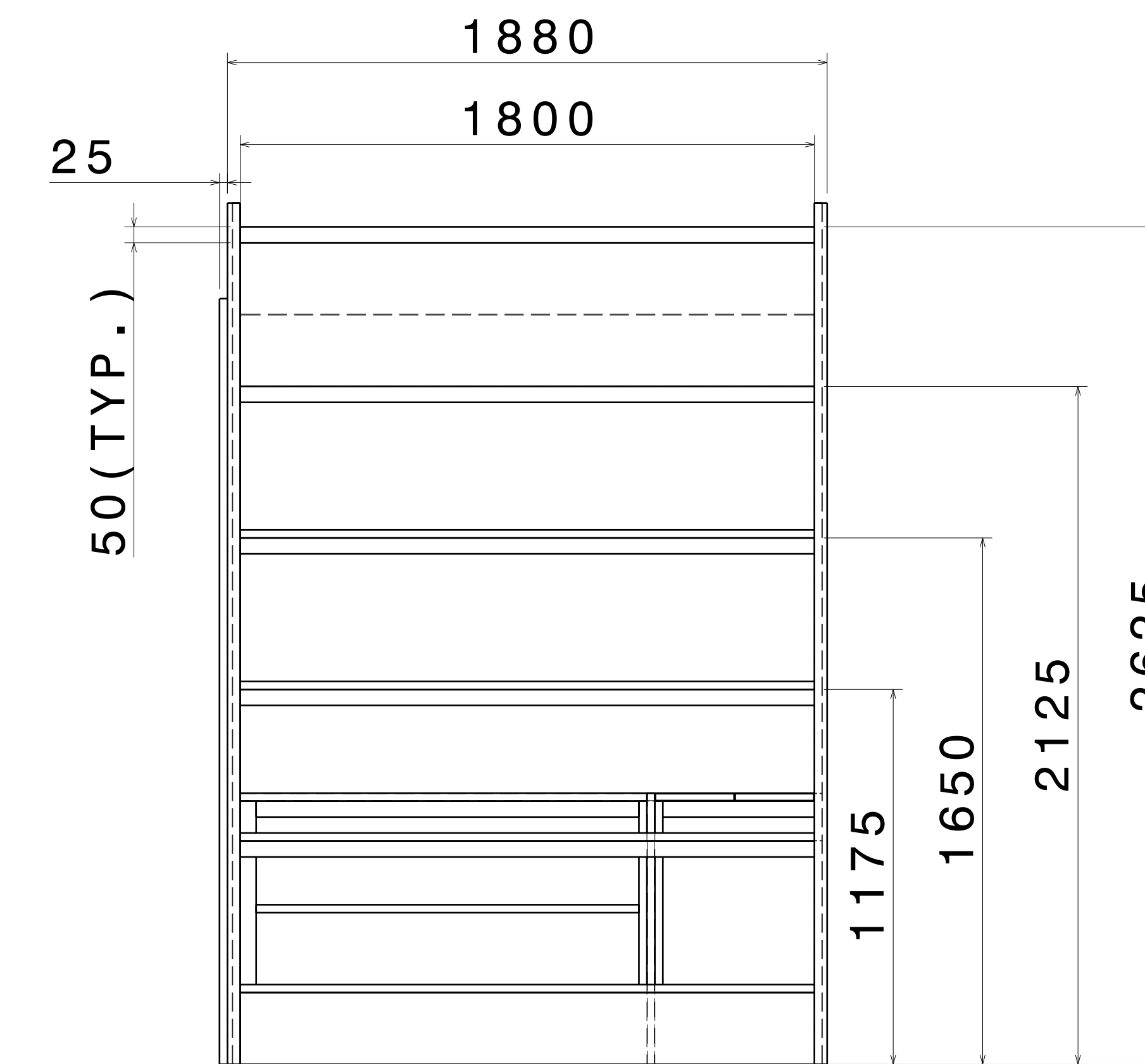
REV	DATE	DESCRIPTION
00	14OCT2020	INITIAL REVISION



TOP VIEW  
SCALE: 1:15



FRONT VIEW  
SCALE: 1:15



RIGHT VIEW  
SCALE: 1:15

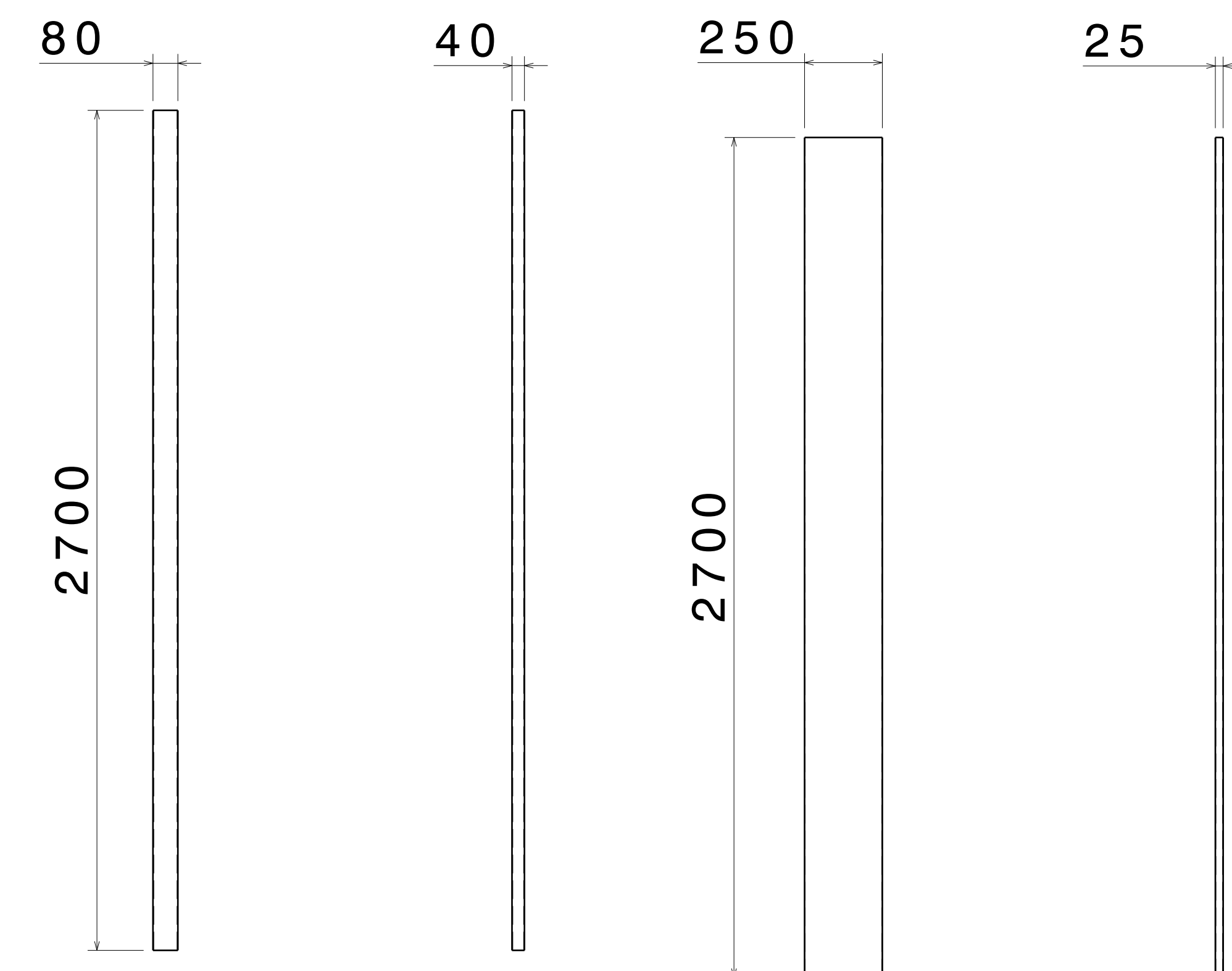
UNLESS OTHERWISE SPECIFIED DIMENSION ARE IN MM  
VIEWS: THIRD ANGLE PROJECTION

This drawing is our property. It can't be reproduced or communicated without our written agreement.

DRAWN BY	DATE
SB	14OCT2020
CHECKED BY	DATE
P2P Analysis & Solutions	14OCT2020
DESIGNED BY	DATE
P2P Analysis & Solutions	14OCT2020

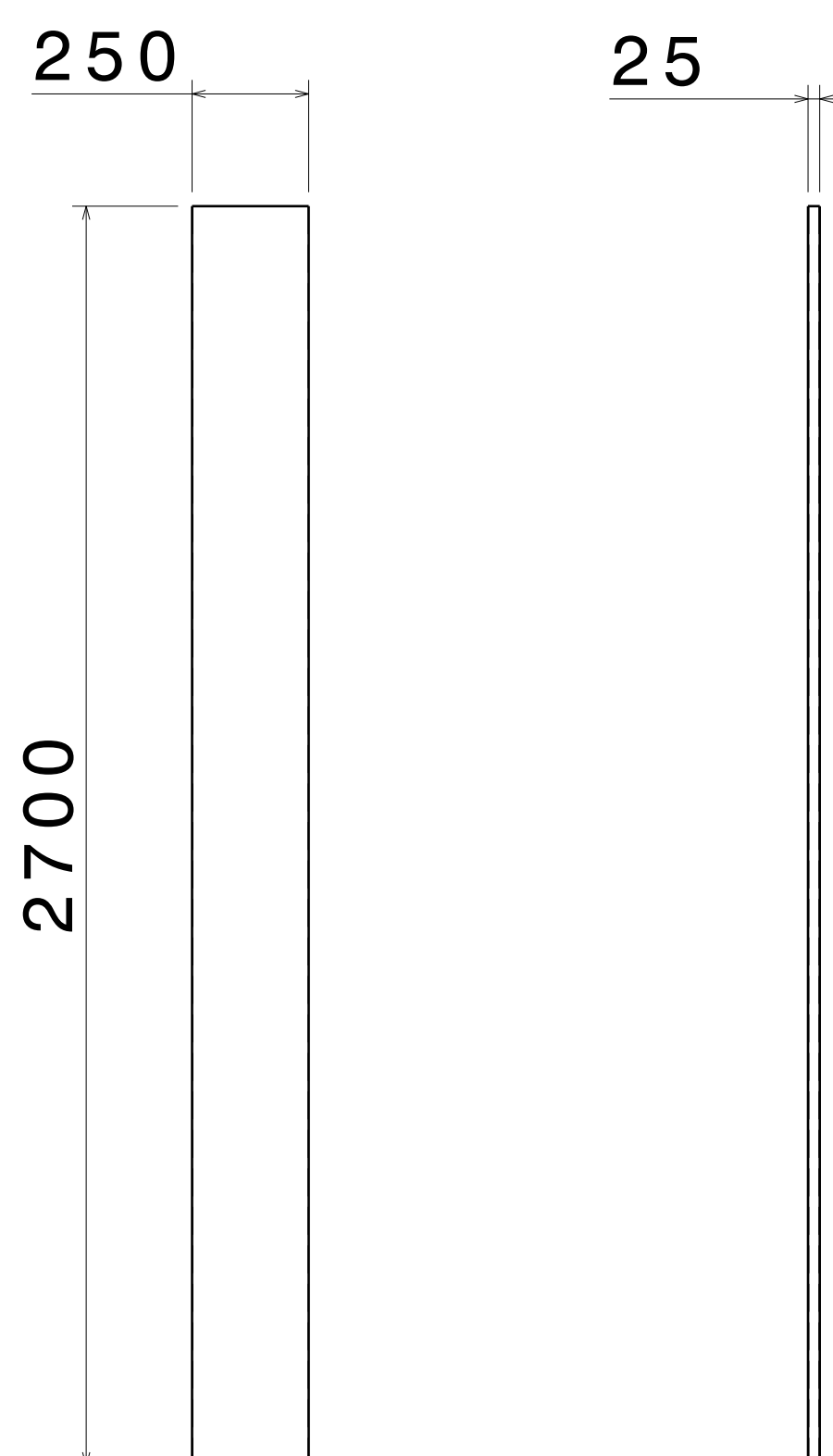
APL APOLLO TUBES LTD.	
DRAWING TITLE	
BED CUM SHELF	
SIZE	DRAWING NUMBER
A0	P2P_BED CUM SHELF
SCALE	WEIGHT (kg)
NONE	XXX
REV	SHEET 2 OF 3
00	1

REV	DATE	DESCRIPTION
00	14OCT2020	INITIAL REVISION



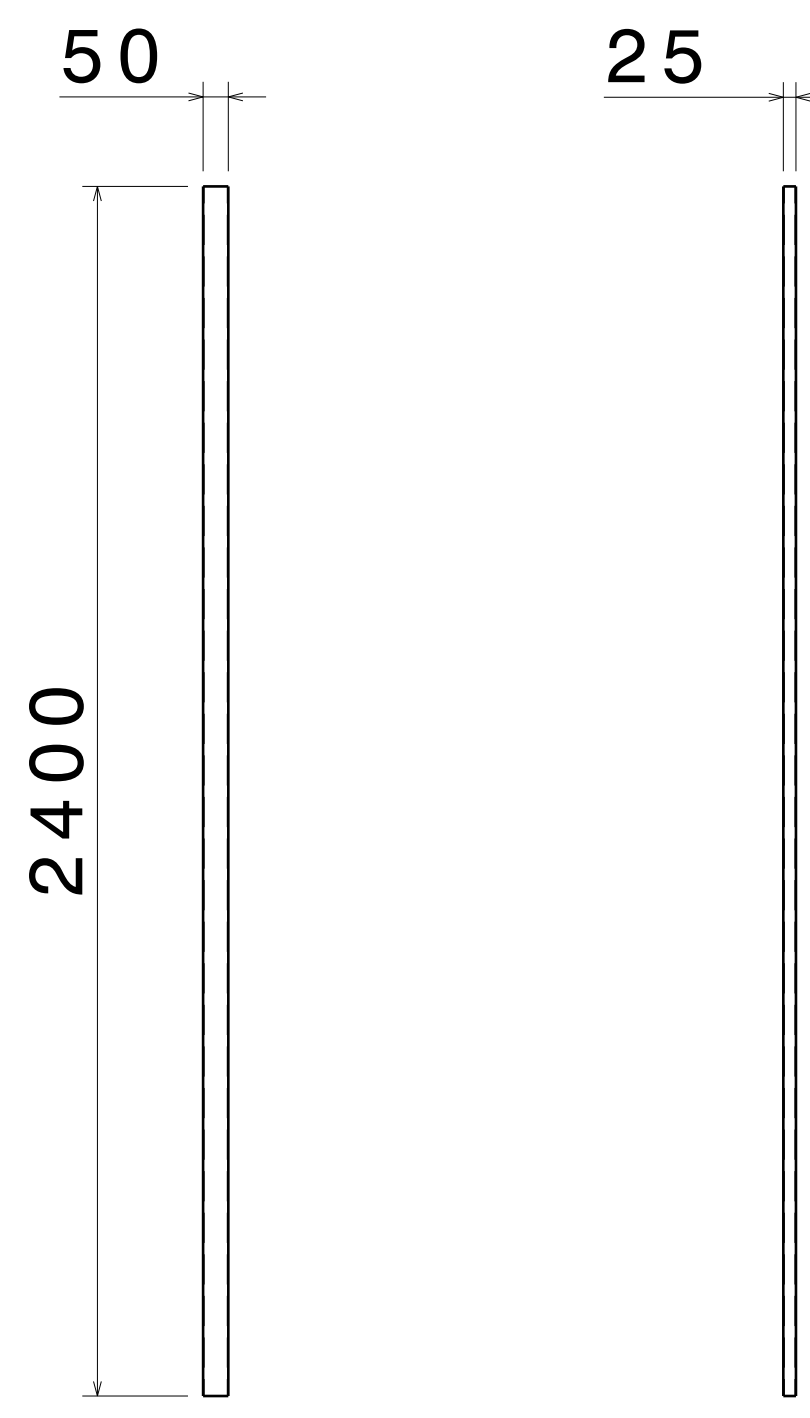
FRONT VIEW RIGHT VIEW  
SCALE: 1:15 SCALE: 1:15

ITEM 1, RHS FRAME 1  
THICKNESS - 2.6MM



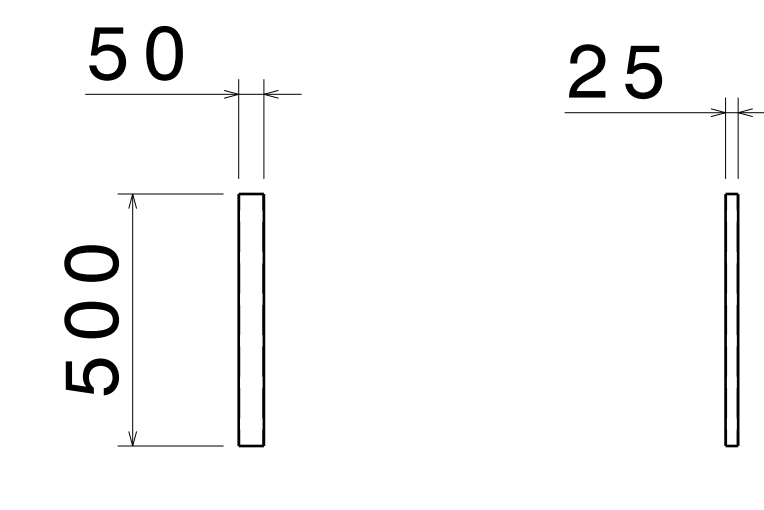
FRONT VIEW RIGHT VIEW  
SCALE: 1:15 SCALE: 1:15

ITEM 2, RHS PLANK 1  
THICKNESS - 1.6MM



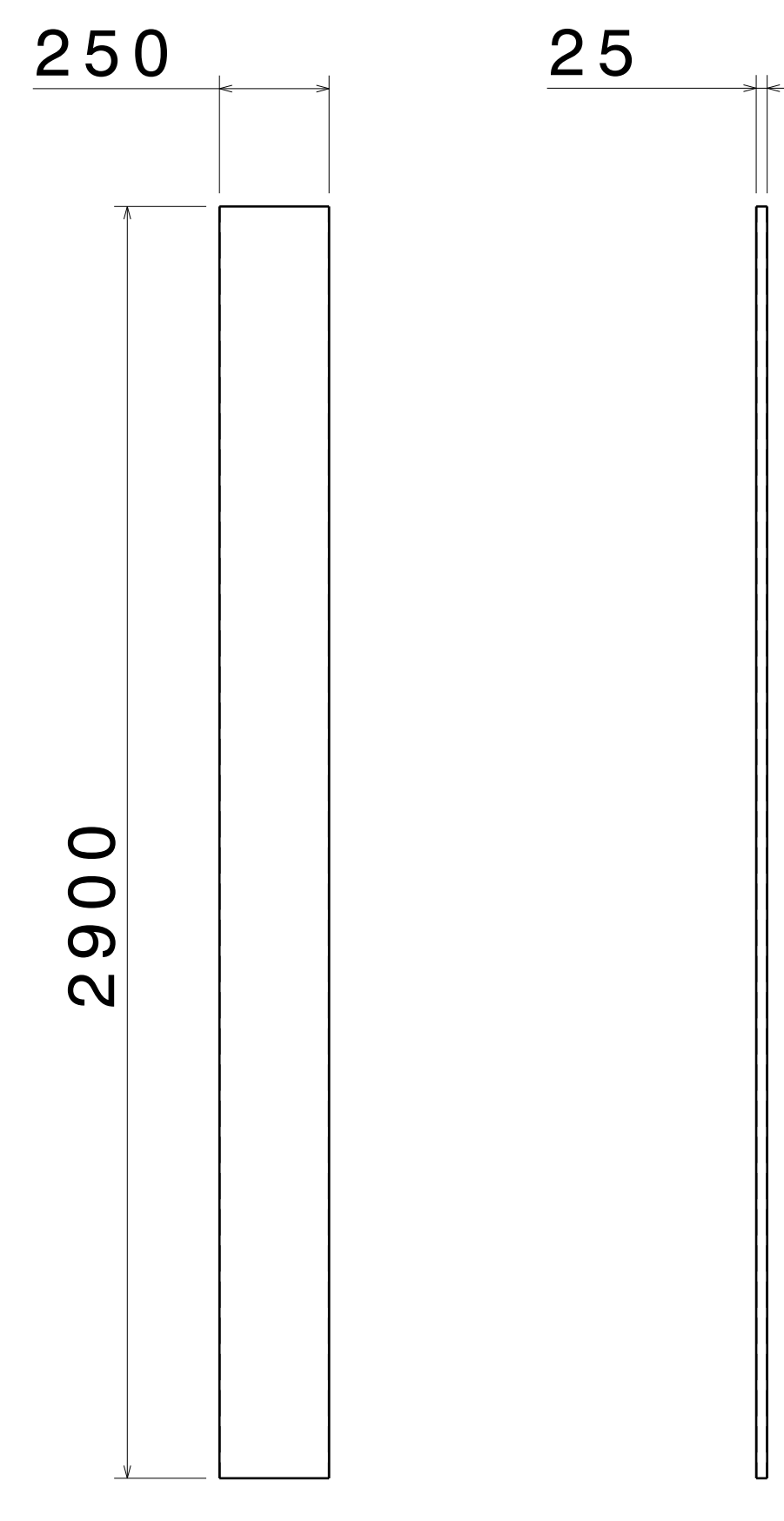
FRONT VIEW RIGHT VIEW  
SCALE: 1:15 SCALE: 1:15

ITEM 3, RHS FRAME 2  
THICKNESS - 2.0MM



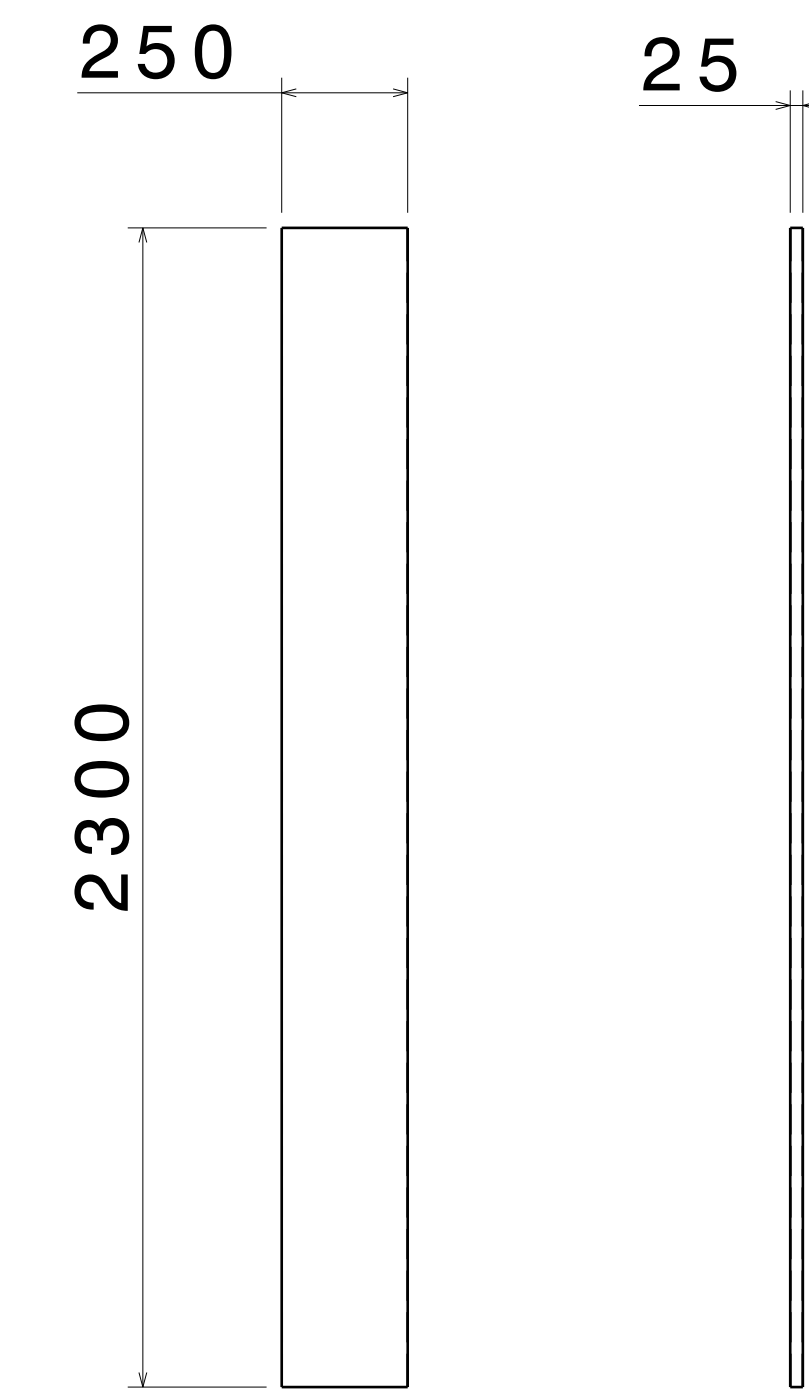
FRONT VIEW RIGHT VIEW  
SCALE: 1:15 SCALE: 1:15

ITEM 4, RHS FRAME 3  
THICKNESS - 2.0MM



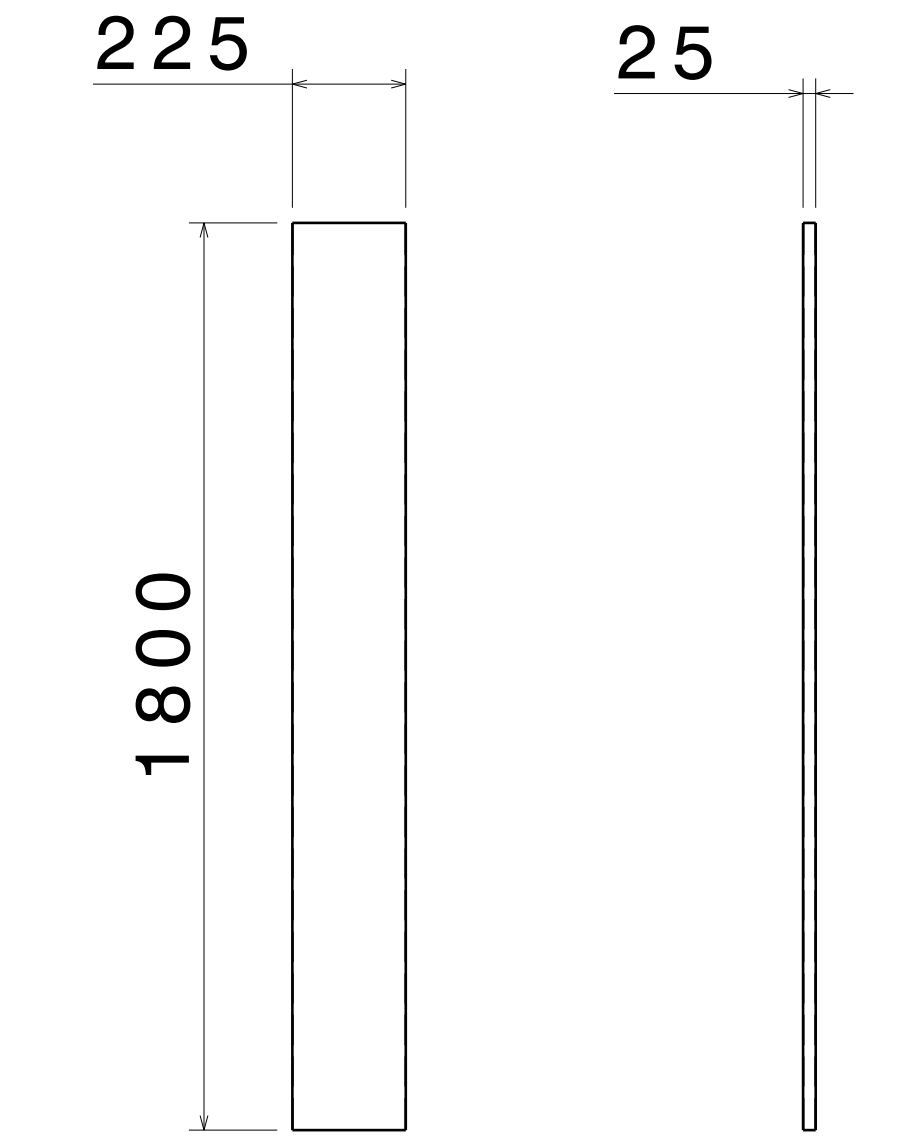
FRONT VIEW RIGHT VIEW  
SCALE: 1:15 SCALE: 1:15

ITEM 5, RHS PLANK 2  
THICKNESS - 1.6MM



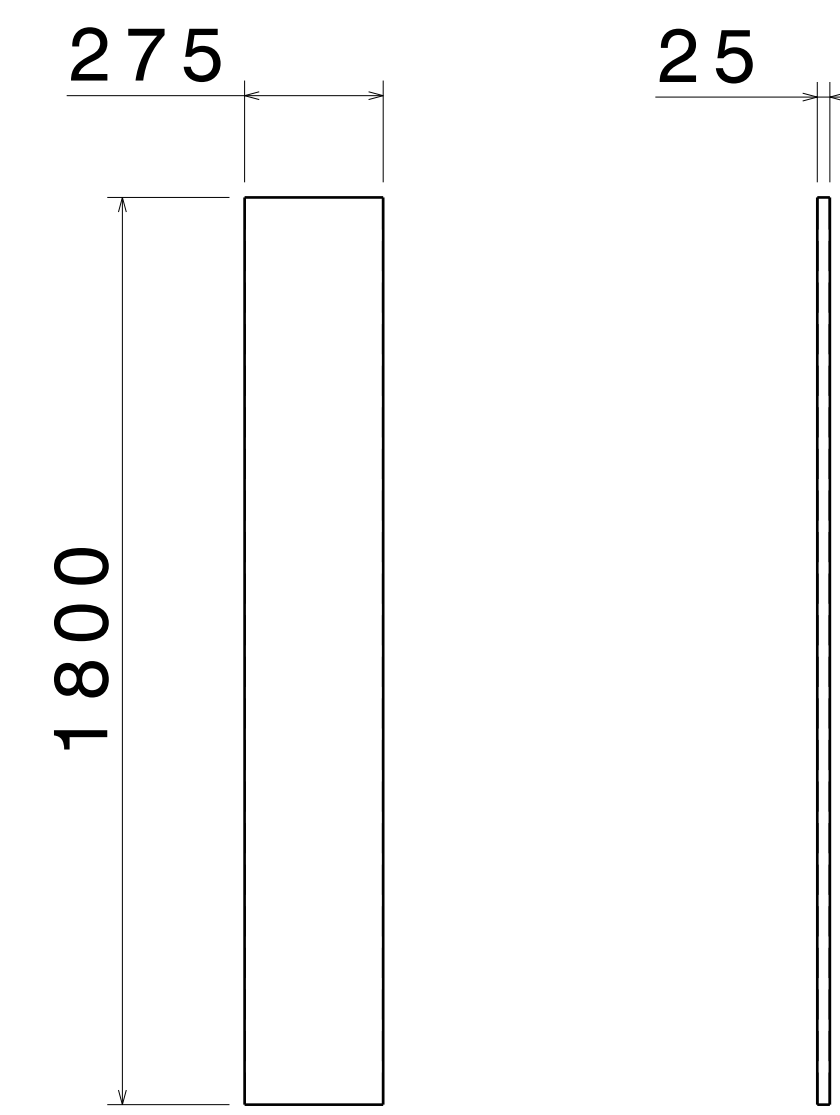
FRONT VIEW RIGHT VIEW  
SCALE: 1:15 SCALE: 1:15

ITEM 6, RHS PLANK 3  
THICKNESS - 1.6MM



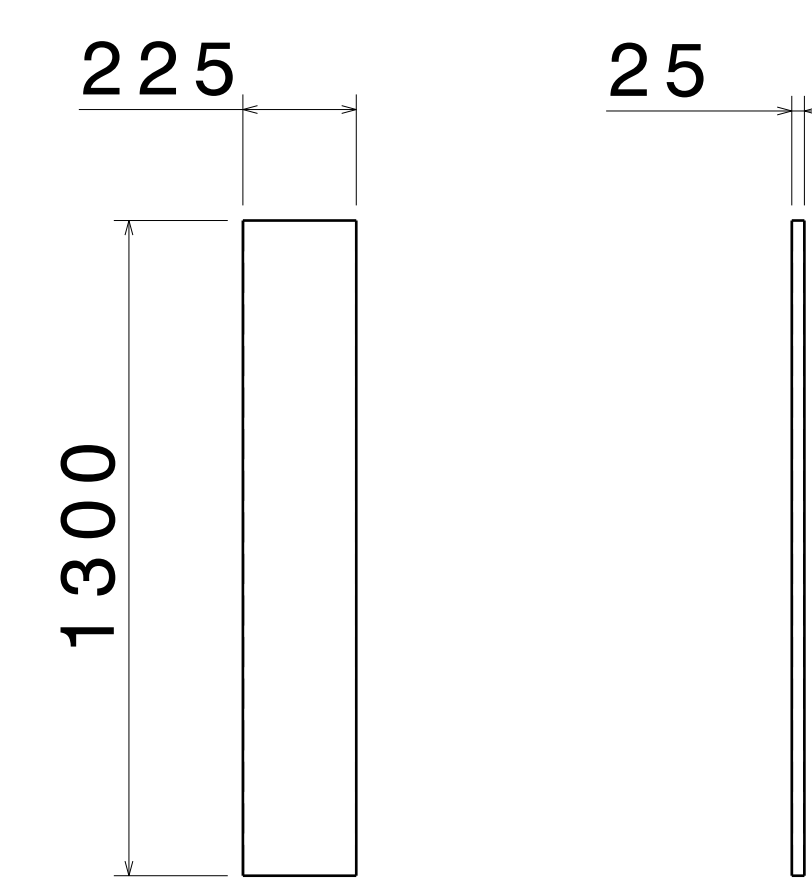
FRONT VIEW RIGHT VIEW  
SCALE: 1:15 SCALE: 1:15

ITEM 7, RHS PLANK 4  
THICKNESS - 1.6MM



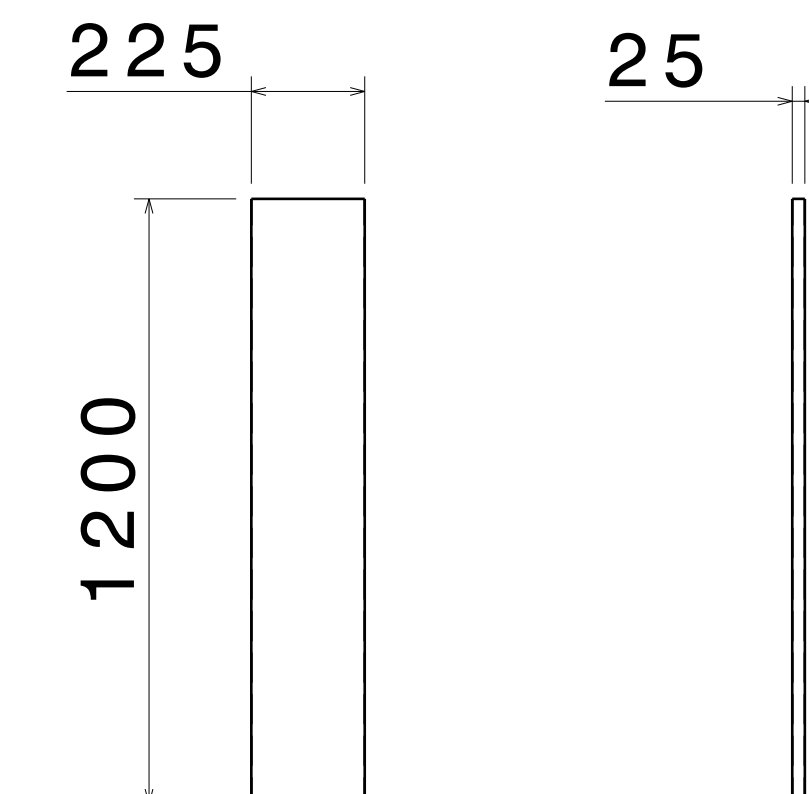
FRONT VIEW RIGHT VIEW  
SCALE: 1:15 SCALE: 1:15

ITEM 8, RHS PLANK 5  
THICKNESS - 1.6MM



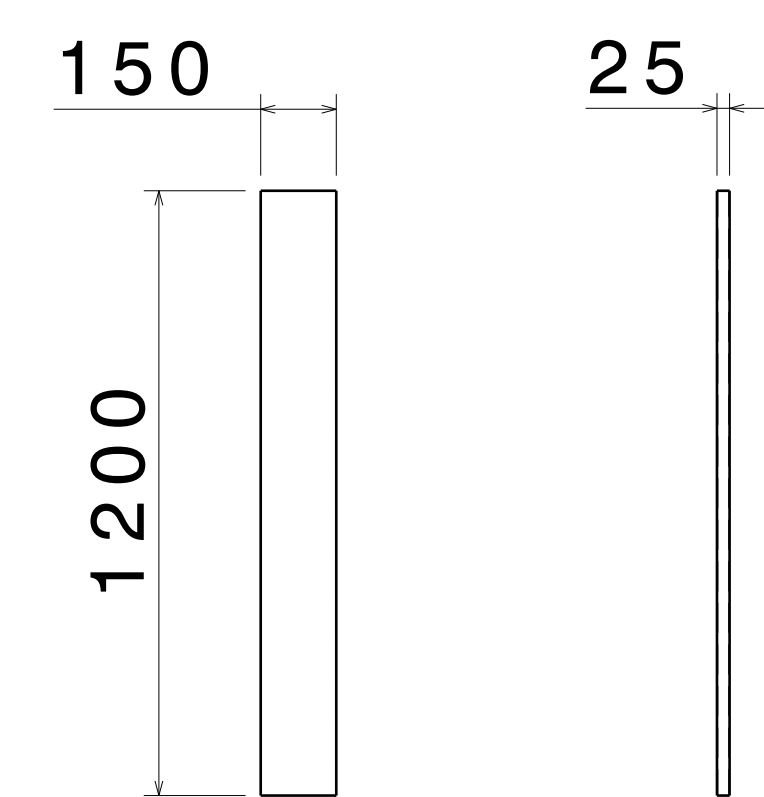
FRONT VIEW RIGHT VIEW  
SCALE: 1:15 SCALE: 1:15

ITEM 9, RHS PLANK 6  
THICKNESS - 1.6MM



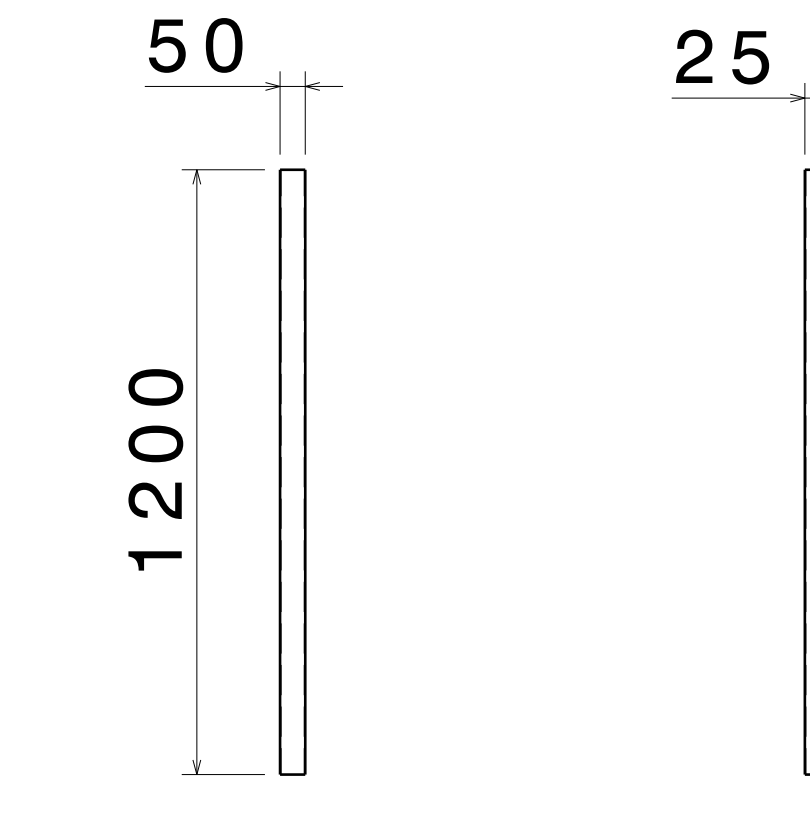
FRONT VIEW RIGHT VIEW  
SCALE: 1:15 SCALE: 1:15

ITEM 10, RHS PLANK 7  
THICKNESS - 1.6MM



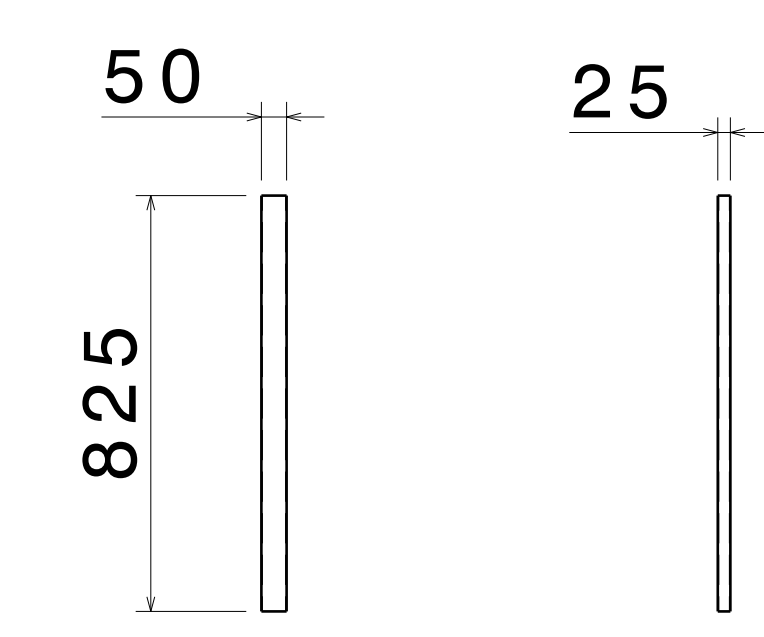
FRONT VIEW RIGHT VIEW  
SCALE: 1:15 SCALE: 1:15

ITEM 11, RHS PLANK 8  
THICKNESS - 1.6MM



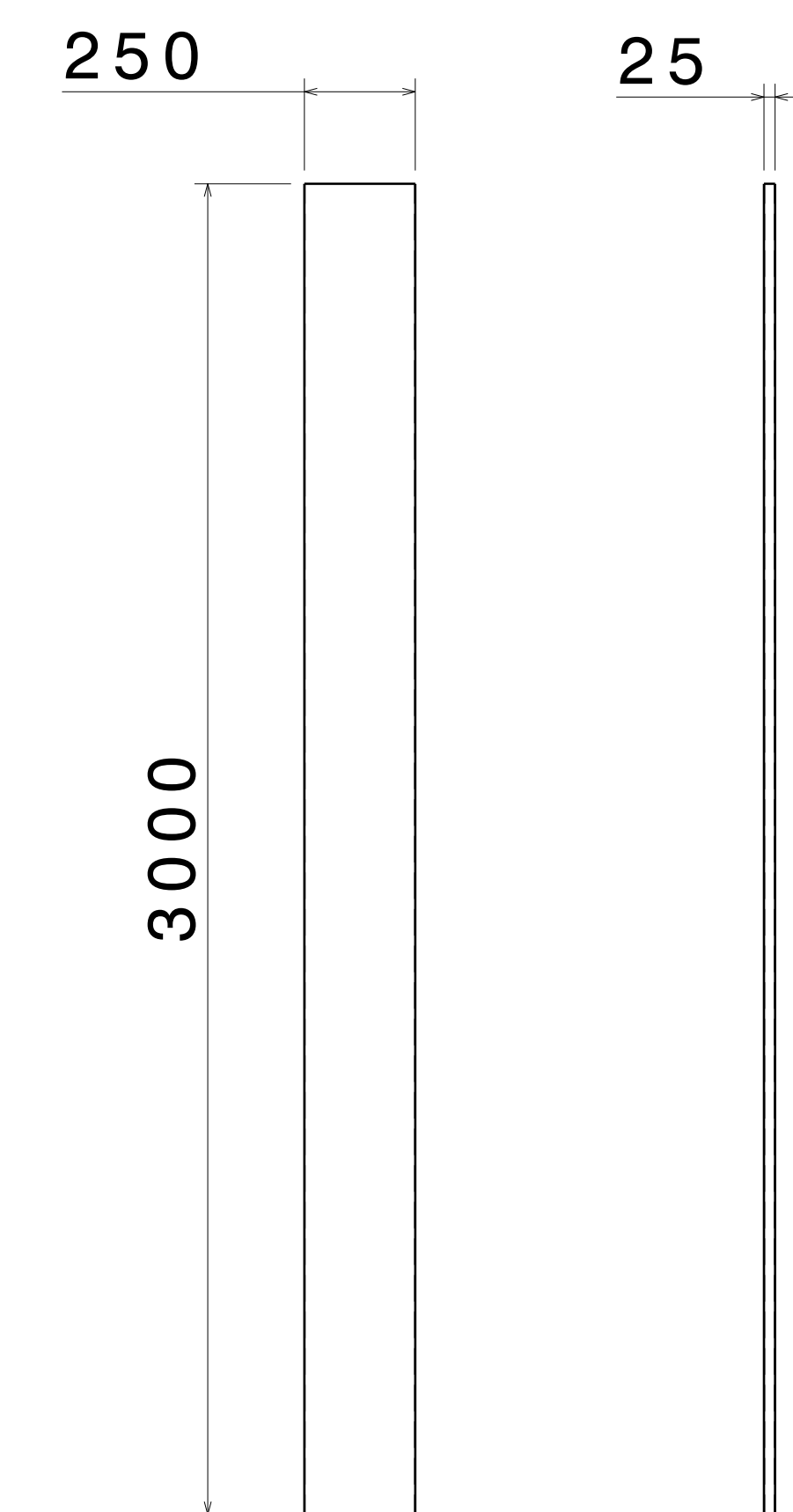
FRONT VIEW RIGHT VIEW  
SCALE: 1:15 SCALE: 1:15

ITEM 12, RHS FRAME 4  
THICKNESS - 2.0MM



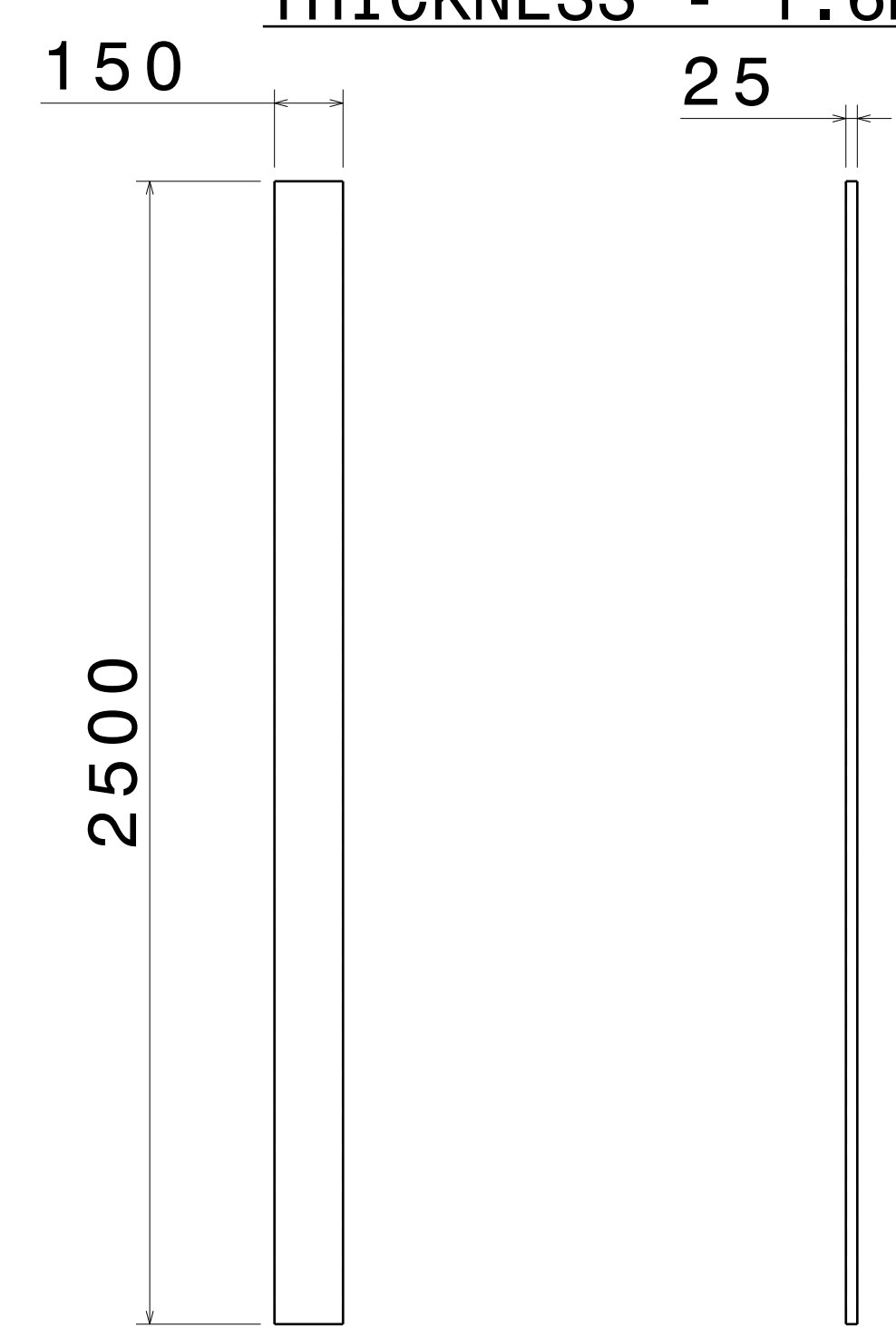
FRONT VIEW RIGHT VIEW  
SCALE: 1:15 SCALE: 1:15

ITEM 13, RHS FRAME 5  
THICKNESS - 2.0MM



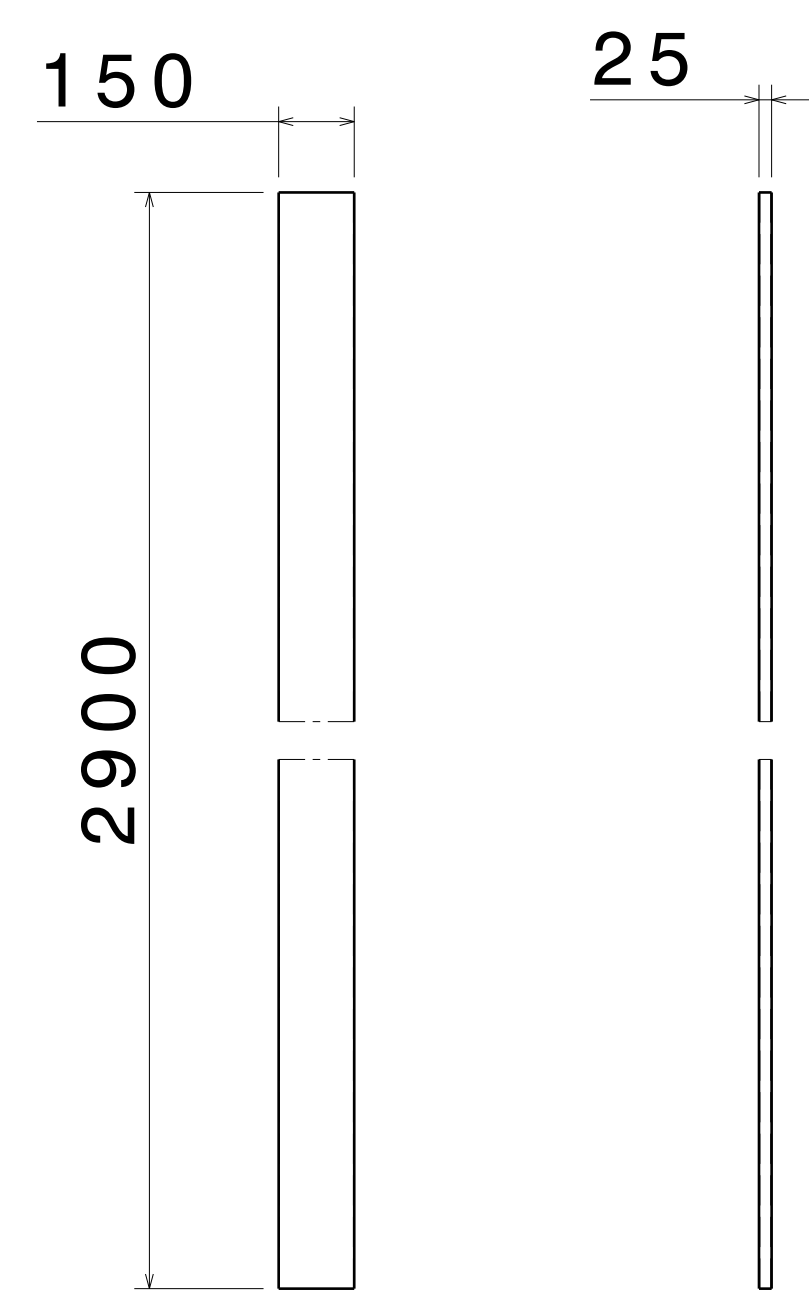
FRONT VIEW RIGHT VIEW  
SCALE: 1:15 SCALE: 1:15

ITEM 14, RHS PLANK 9  
THICKNESS - 1.6MM



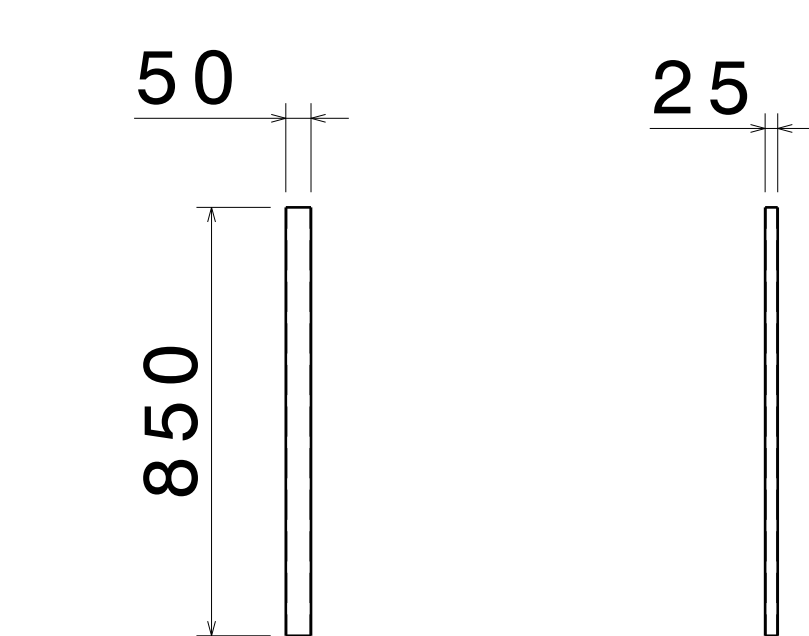
FRONT VIEW RIGHT VIEW  
SCALE: 1:15 SCALE: 1:15

ITEM 15, RHS PLANK 10  
THICKNESS - 1.6MM



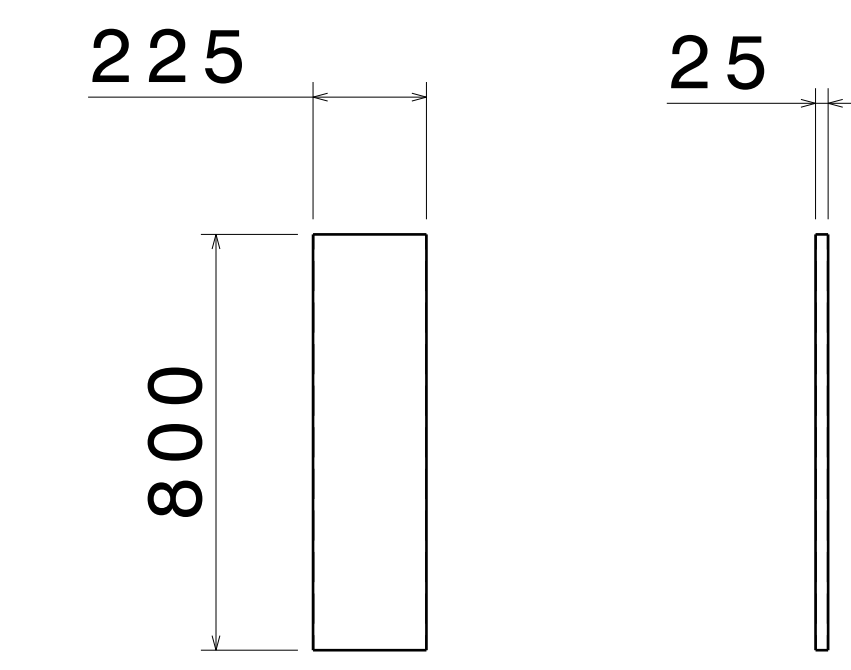
FRONT VIEW RIGHT VIEW  
SCALE: 1:15 SCALE: 1:15

ITEM 16, RHS PLANK 11  
THICKNESS - 1.6MM



FRONT VIEW RIGHT VIEW  
SCALE: 1:15 SCALE: 1:15

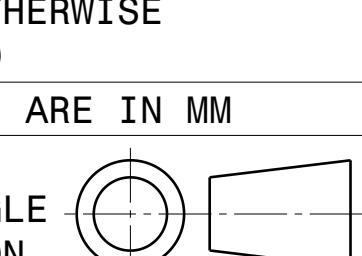
ITEM 17, RHS FRAME 6  
THICKNESS - 2.0MM



FRONT VIEW RIGHT VIEW  
SCALE: 1:15 SCALE: 1:15

ITEM 18, RHS PLANK 12  
THICKNESS - 1.6MM

UNLESS OTHERWISE SPECIFIED DIMENSION ARE IN MM VIEWS: THIRD ANGLE PROJECTION



This drawing is our property. It can't be reproduced or communicated without our written agreement.

DRAWN BY	DATE
SB	14OCT2020
CHECKED BY	DATE
P2P Analysis & Solutions	14OCT2020
DESIGNED BY	DATE
P2P Analysis & Solutions	14OCT2020

APL APOLLO TUBES LTD.	
DRAWING TITLE	
BED CUM SHELF	
SIZE	DRAWING NUMBER
A0	P2P BED CUM SHELF
SCALE	WEIGHT (kg)
NONE	XXX
REV	SHEET 3 OF 3
00	