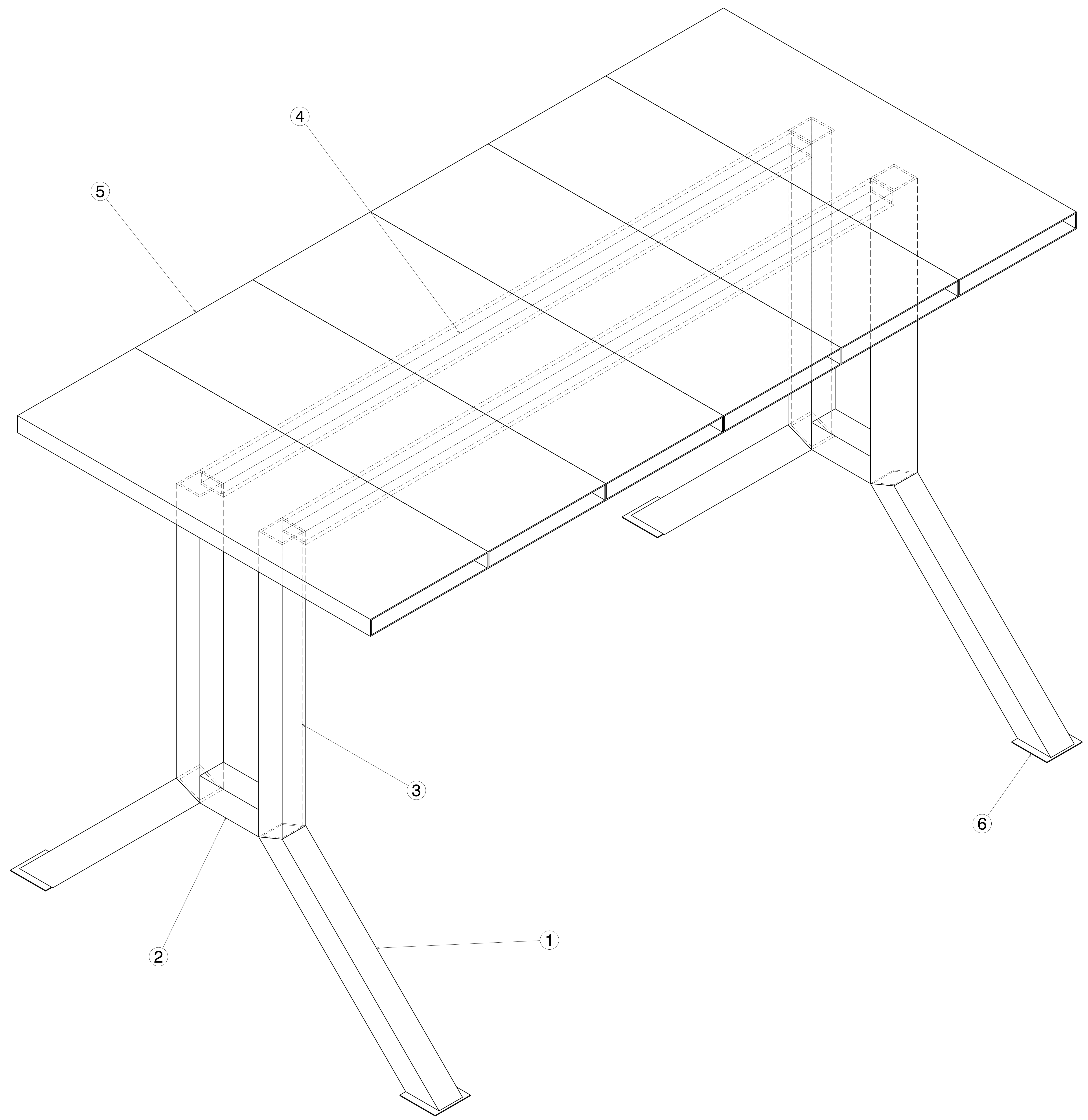


REV/DATE	DESCRIPTION
00 24DEC2020	INITIAL REVISION

- NOTES:
- (⊥) ALL VERTICAL SUPPORTS ARE PERPENDICULAR.
  - FLATNESS OF .5MM IS APPLIED BY DEFAULT.
  - ⊲ WELD BEAD OF 2MM RADIUS IS FOLLOWED.
  - ▽▽ SURFACE FINISH MEDIUM TO SMOOTH IS USED.
  - ALL TUBES ARE AS PER APL APOLLO STANDARD. CHANGES MAY EFFECT THE LOAD CAPACITY.
  - ALL HORIZONTAL AND VERTICAL TUBES ARE PERPENDICULAR TO EACH OTHER WITH ±1 DEG.
  - FINE WELDING IS REQUIRED AS PER MENTIONED DETAILS AND FINISHING.
  - HIGHER CURRENT WELDING MAY AFFECT THE BRITTLENESS OF MATERIAL WHICH LATER MAY RAISE TO WEAKENING OF STRUCTURE.
  - FABRICATORS ARE ALLOWED TO USE FITTINGS/FRAMES/SUPPORTS AS NEEDED AND THE SAME MUST BE COMMUNICATED BACK TO ENGINEERING TEAM.
  - BOP COMPONENT WEIGHTS ARE FOR REFERENCE ONLY AND SUBJECTED TO CHANGE PER PURCHASED COMPONENTS.



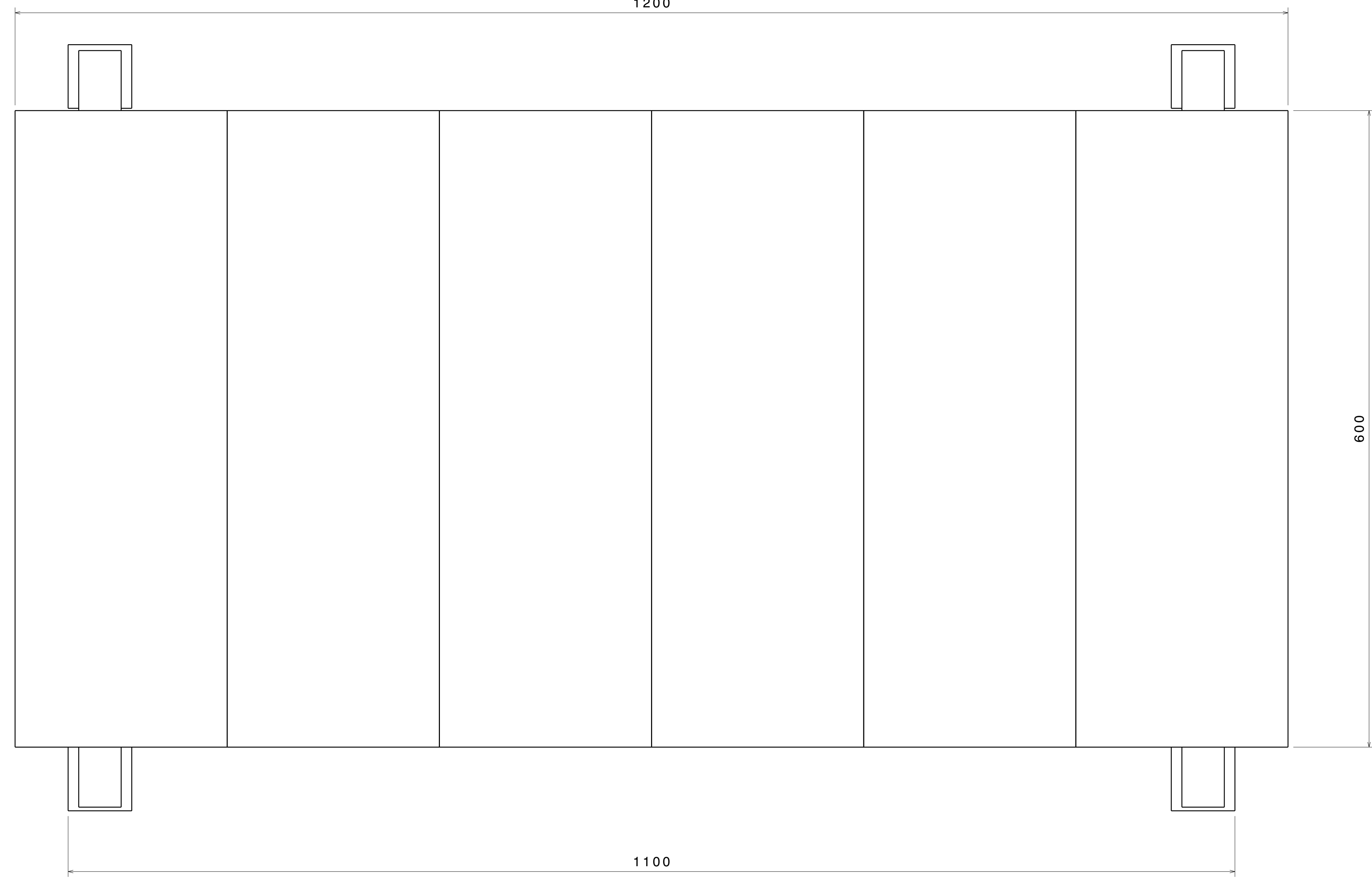
Isometric view  
Scale: 1:2

ITEM NO.	PART NUMBER	DESCRIPTION	QTY.	Wt (kg)/Each
6	BOP PLATE 1	AS PER DIMENSION	4	0.03
5	PLANK 1	200 X 25 X 1.6 X 600	6	3.35
4	SHS FRAME 3	40 X 40 X 3 X 1000	2	2.55
3	SHS FRAME 2	40 X 40 X 3 X 450	4	1.54
2	SHS FRAME 1	40 X 40 X 2 X 100	2	0.24
1	RHS FRAME 1	40 X 40 X 3 X 380	4	1.28

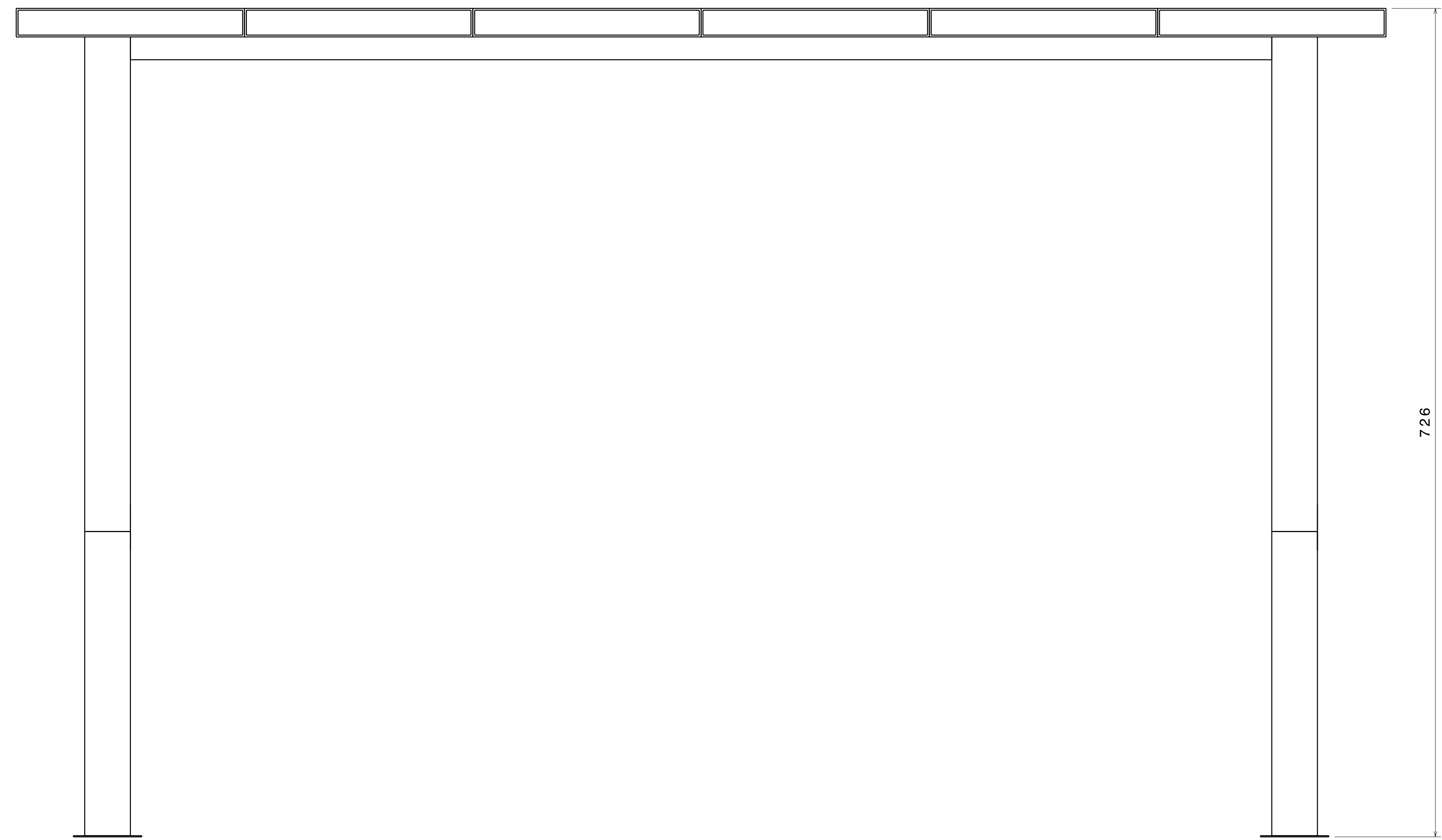
This drawing is our property. It can't be reproduced or communicated without our written agreement.		APL APOLLO TUBES LTD.	
DRAWN BY		DRAWING TITLE	
SB	DATE 24DEC2020	DEC 20-13	
CHECKED BY	DATE	SIZE	DRAWING NUMBER
P2P Analysis & Solutions	24DEC2020	A0	P2P DEC 20-13
DESIGNED BY	DATE	SCALE	WEIGHT(kg) 0kg
P2P Analysis & Solutions	24DEC2020	As Indicated	SHEET 1 OF 3

UNLESS OTHERWISE SPECIFIED DIMENSION ARE IN MM  
VIEWS: THIRD ANGLE PROJECTION

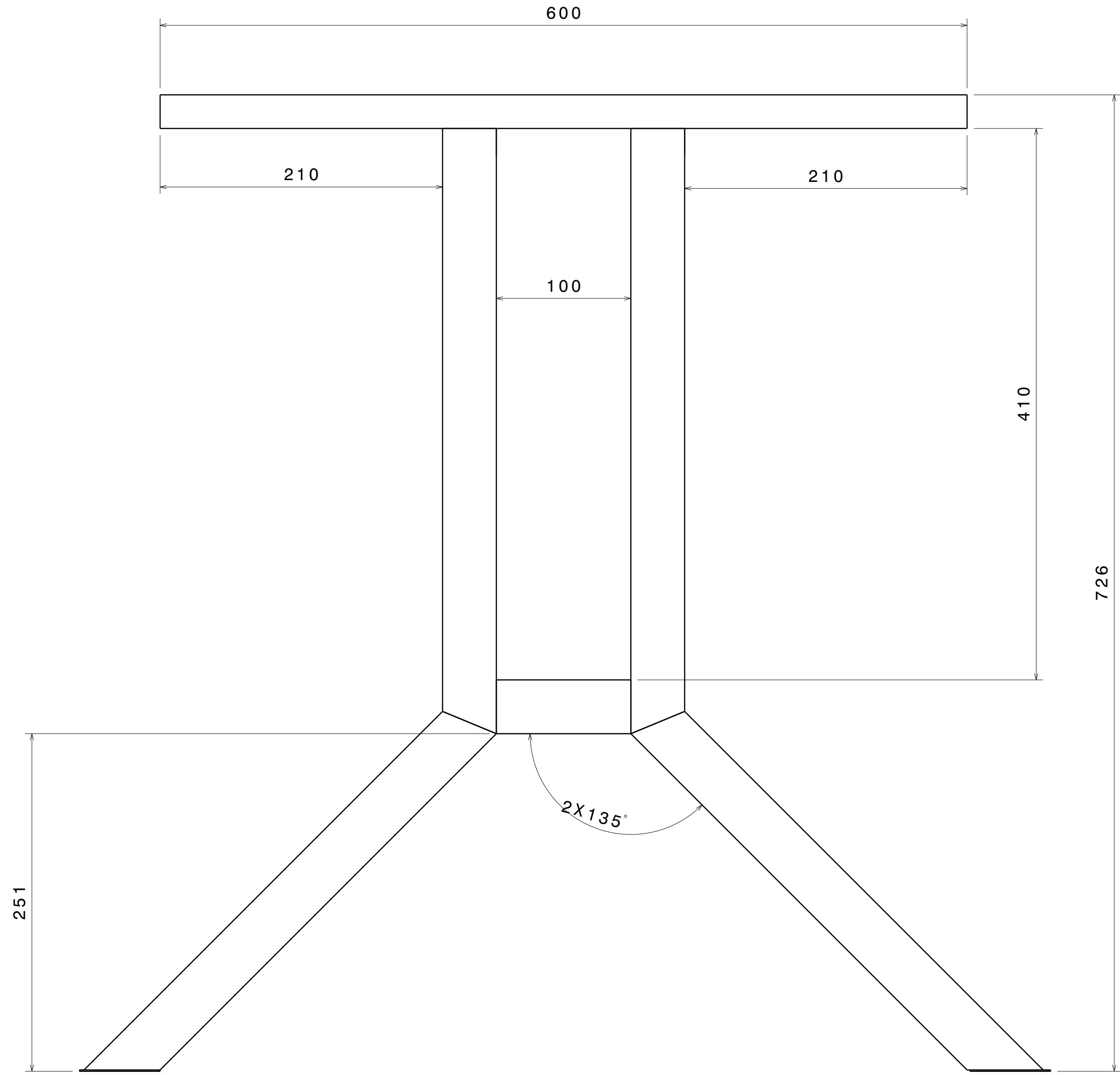
REV	DATE	DESCRIPTION
00	24DEC2020	INITIAL REVISION



Top view  
Scale: 2:5



Front view



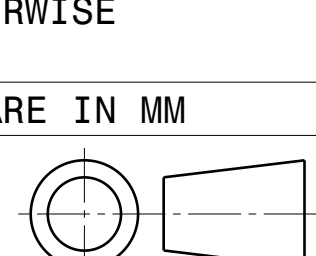
Right view  
Scale: 2:5

This drawing is our property. It can't be reproduced or communicated without our written agreement.

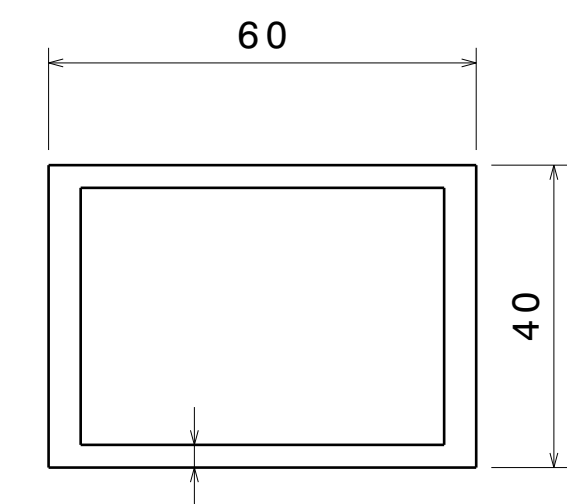
APL APOLLO TUBES LTD. 

DRAWN BY	DATE
SB	24DEC2020
CHECKED BY	DATE
P2P Analysis & Solutions	24DEC2020
DESIGNED BY	DATE
P2P Analysis & Solutions	24DEC2020

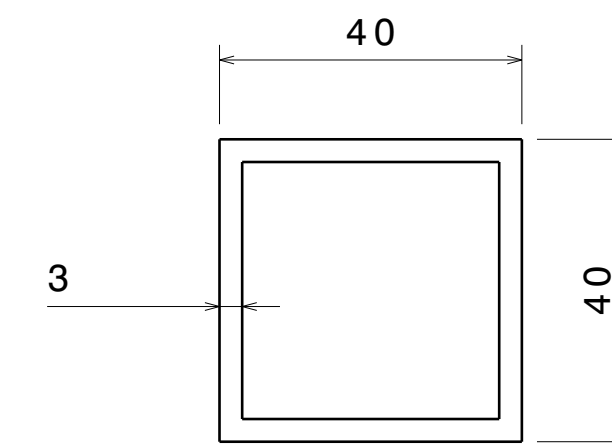
DRAWING TITLE		REV
DEC 20-13		00
SIZE	DRAWING NUMBER	
A0	P2P DEC 20-13	
SCALE	WEIGHT (kg)	
NONE	XXX	
SHEET 2 OF 3		

UNLESS OTHERWISE SPECIFIED DIMENSION ARE IN MM VIEWS: THIRD ANGLE PROJECTION 

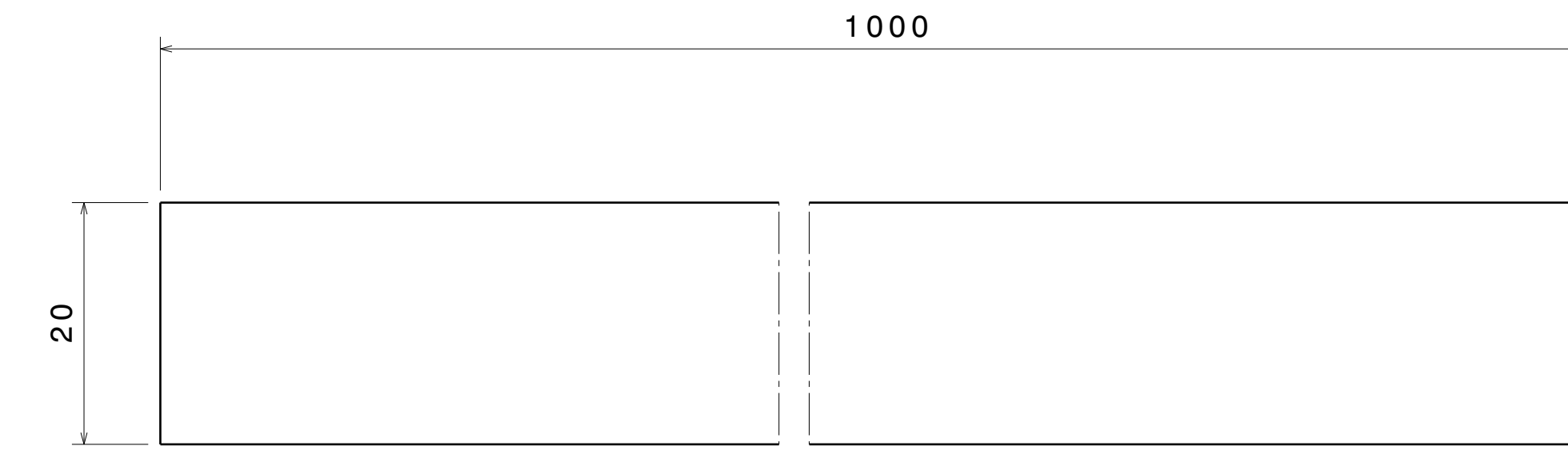
REV	DATE	DESCRIPTION
00	24DEC2020	INITIAL REVISION



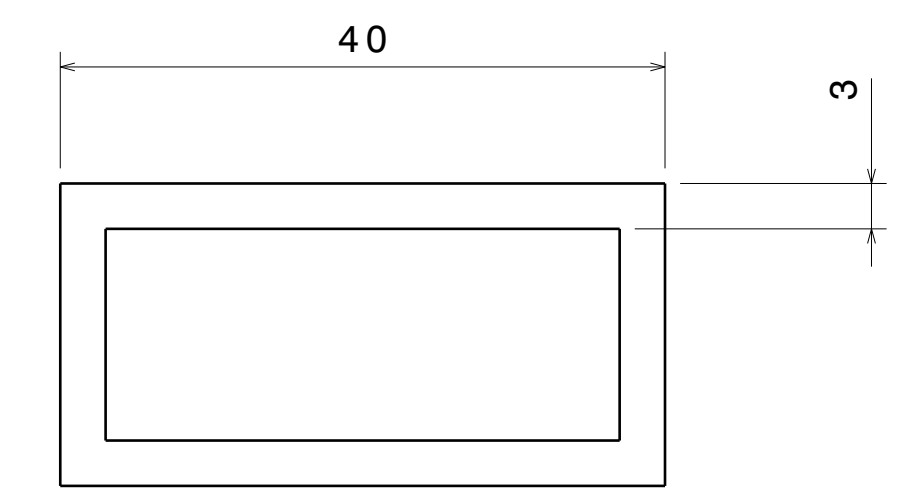
Top view  
Scale: 1:1



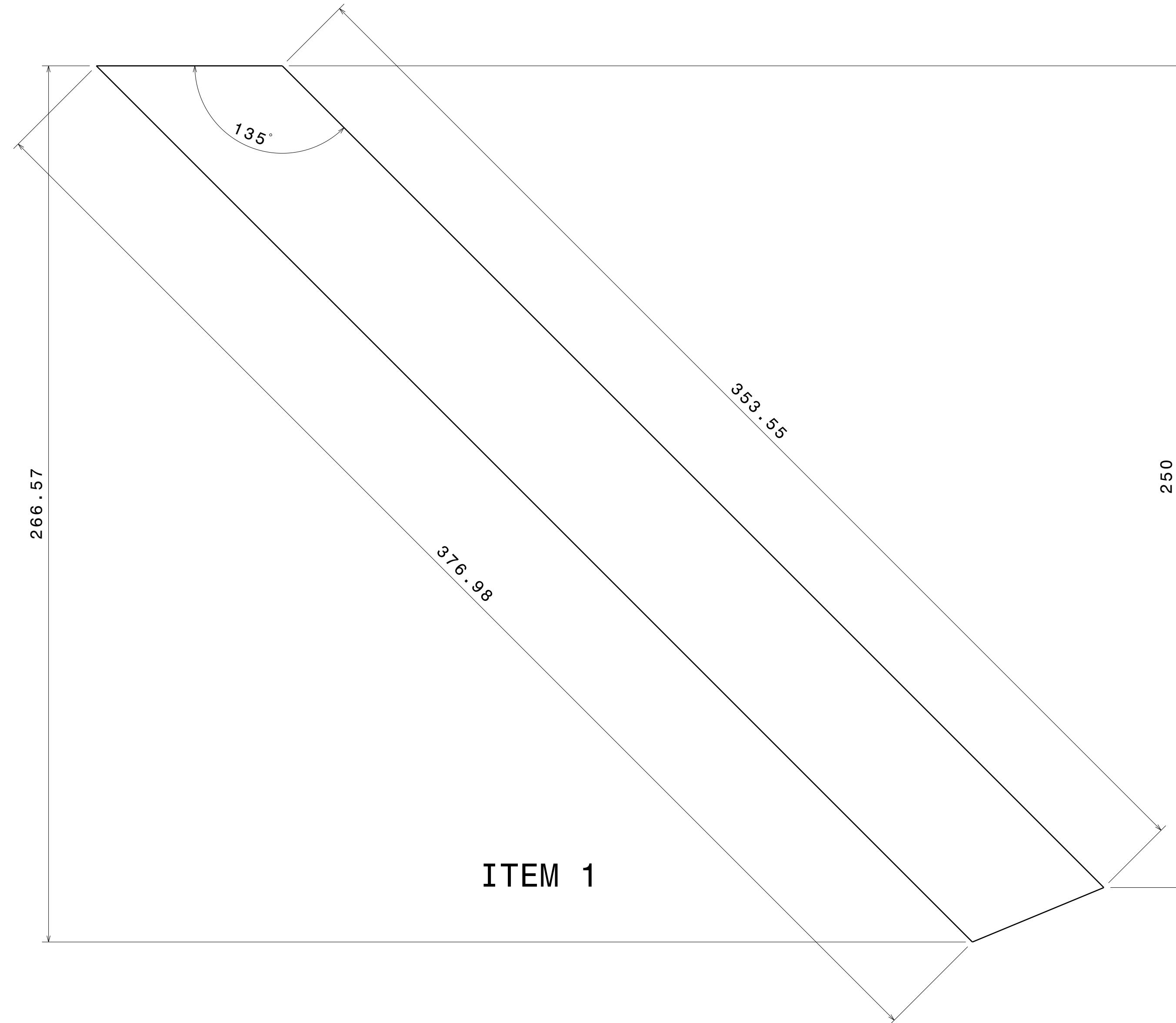
Top view  
Scale: 1:1



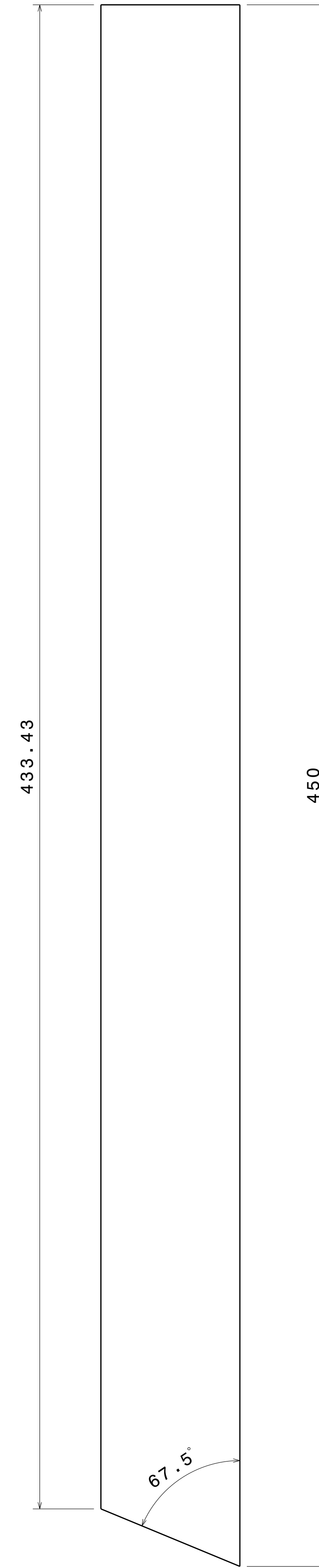
ITEM 4



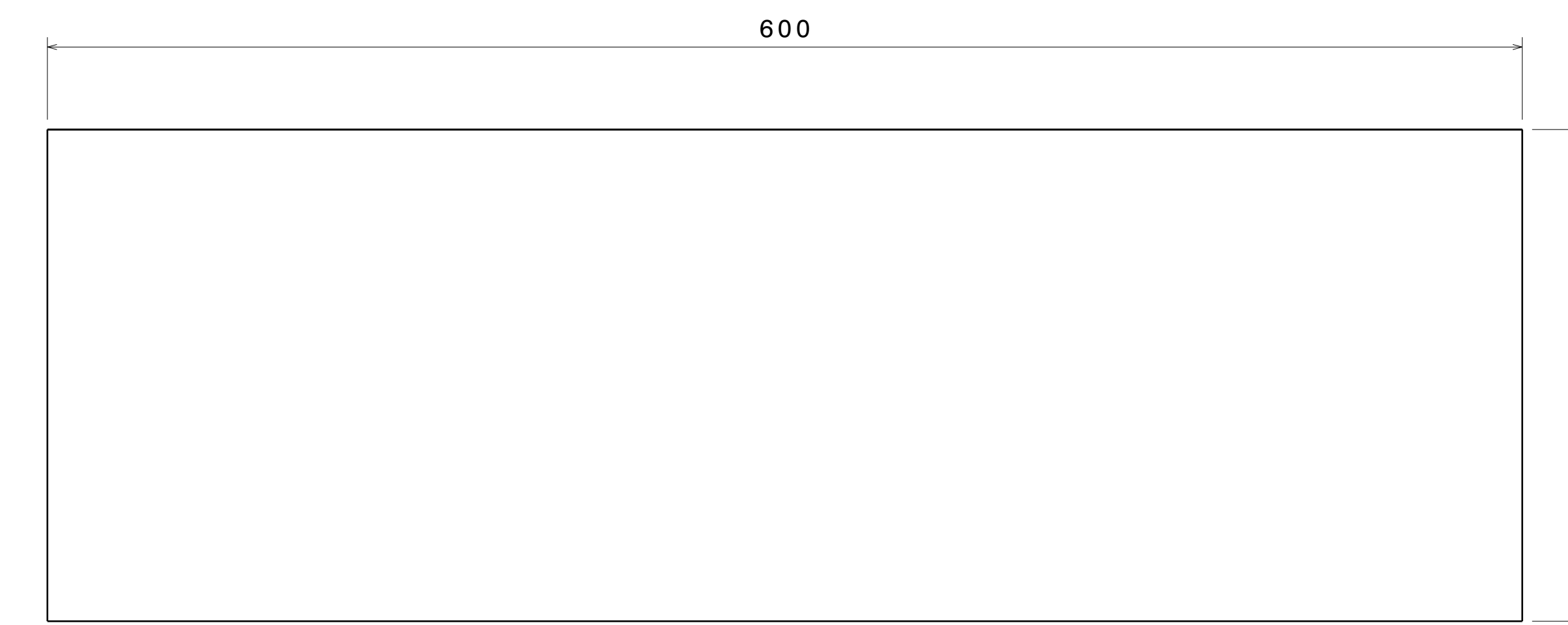
Right view  
Scale: 2:1



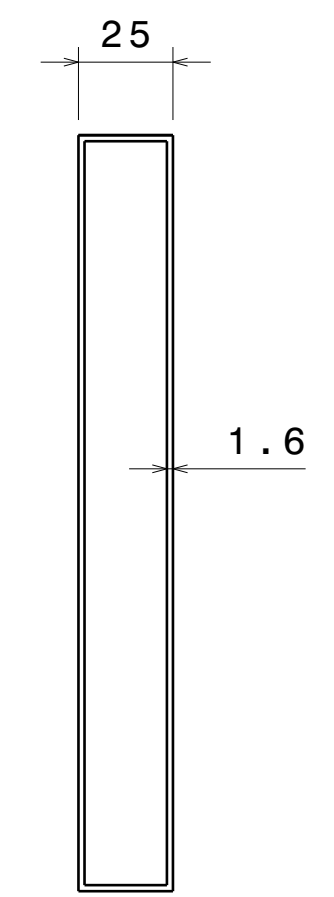
ITEM 1



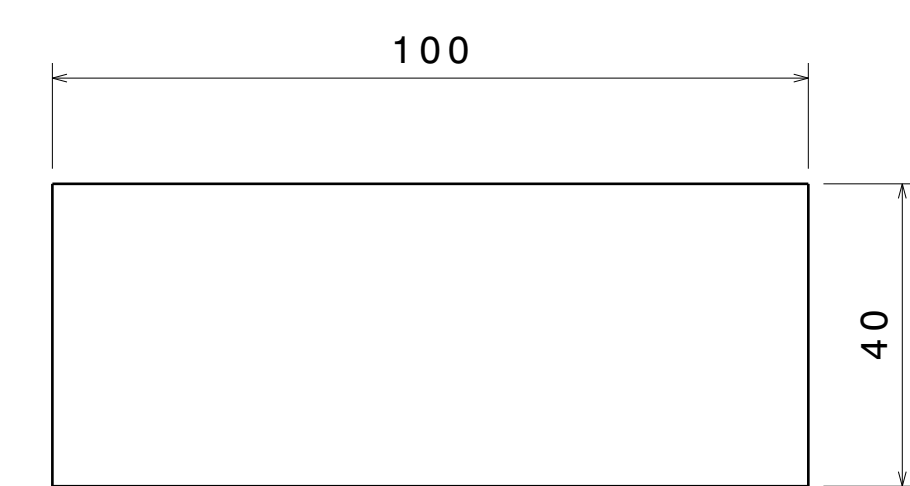
ITEM 3



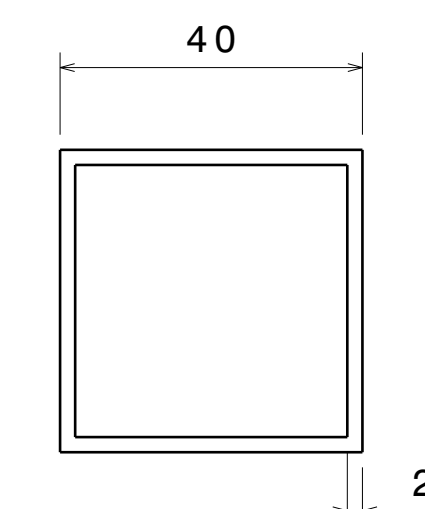
ITEM 5



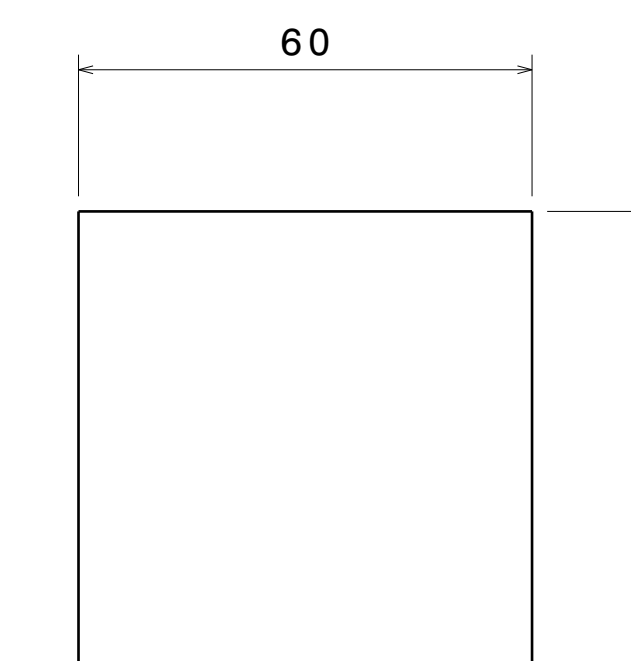
Right view  
Scale: 1:2



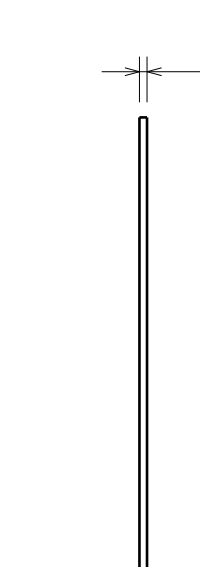
ITEM 2



Right view  
Scale: 1:1



ITEM 6



Right view  
Scale: 1:1

UNLESS OTHERWISE SPECIFIED DIMENSION ARE IN MM  
VIEWS: THIRD ANGLE PROJECTION

This drawing is our property. It can't be reproduced or communicated without our written agreement.

DRAWN BY	DATE
SB	24DEC2020
CHECKED BY	DATE
P2P Analysis & Solutions	24DEC2020
DESIGNED BY	DATE
P2P Analysis & Solutions	24DEC2020

APL APOLLO TUBES LTD.	
DRAWING TITLE	
DEC 20-13	
SIZE	DRAWING NUMBER
A0	P2P DEC 20-13
SCALE	WEIGHT (kg)
NONE	XXX
SHEET 3 OF 3	