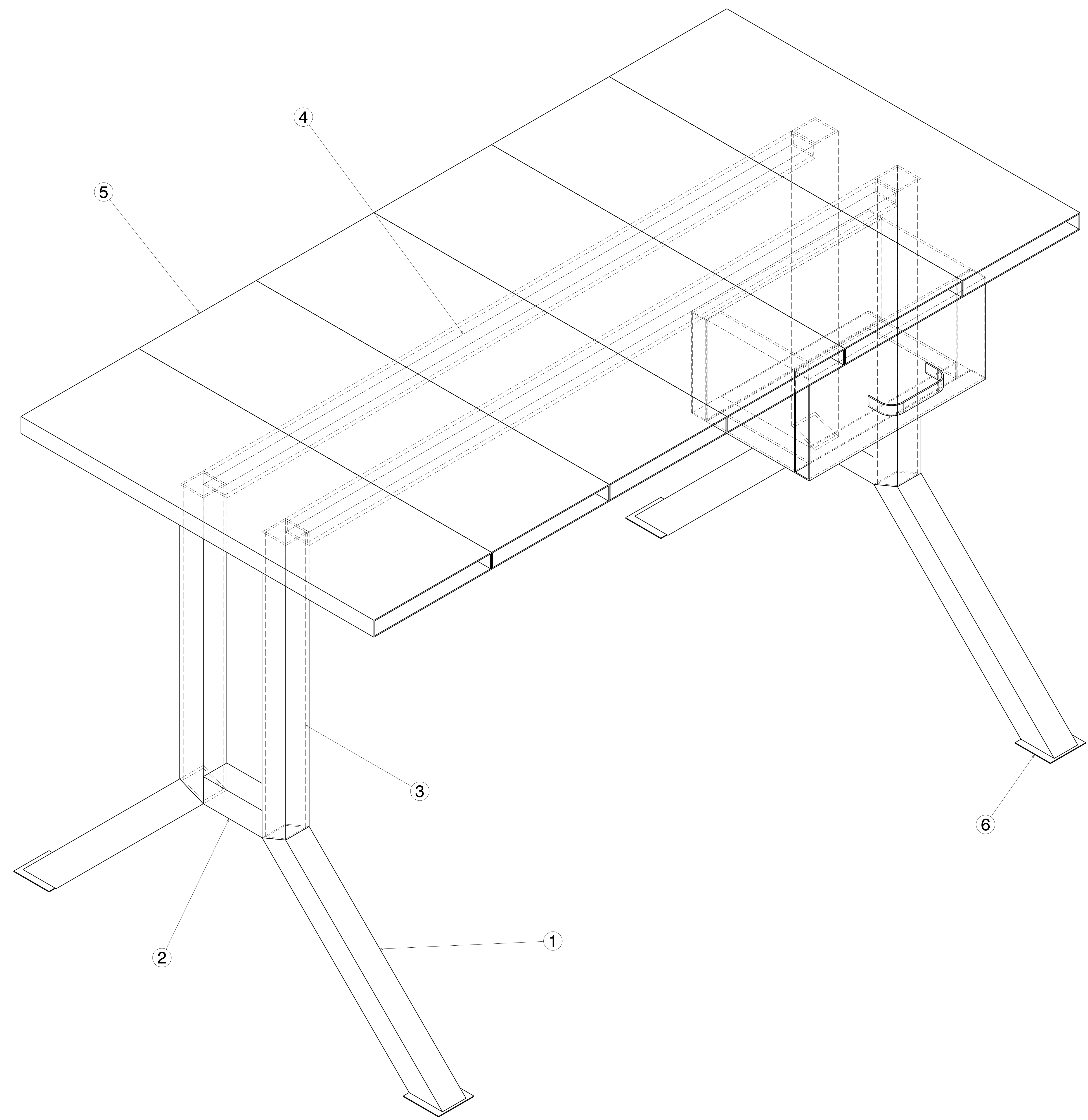
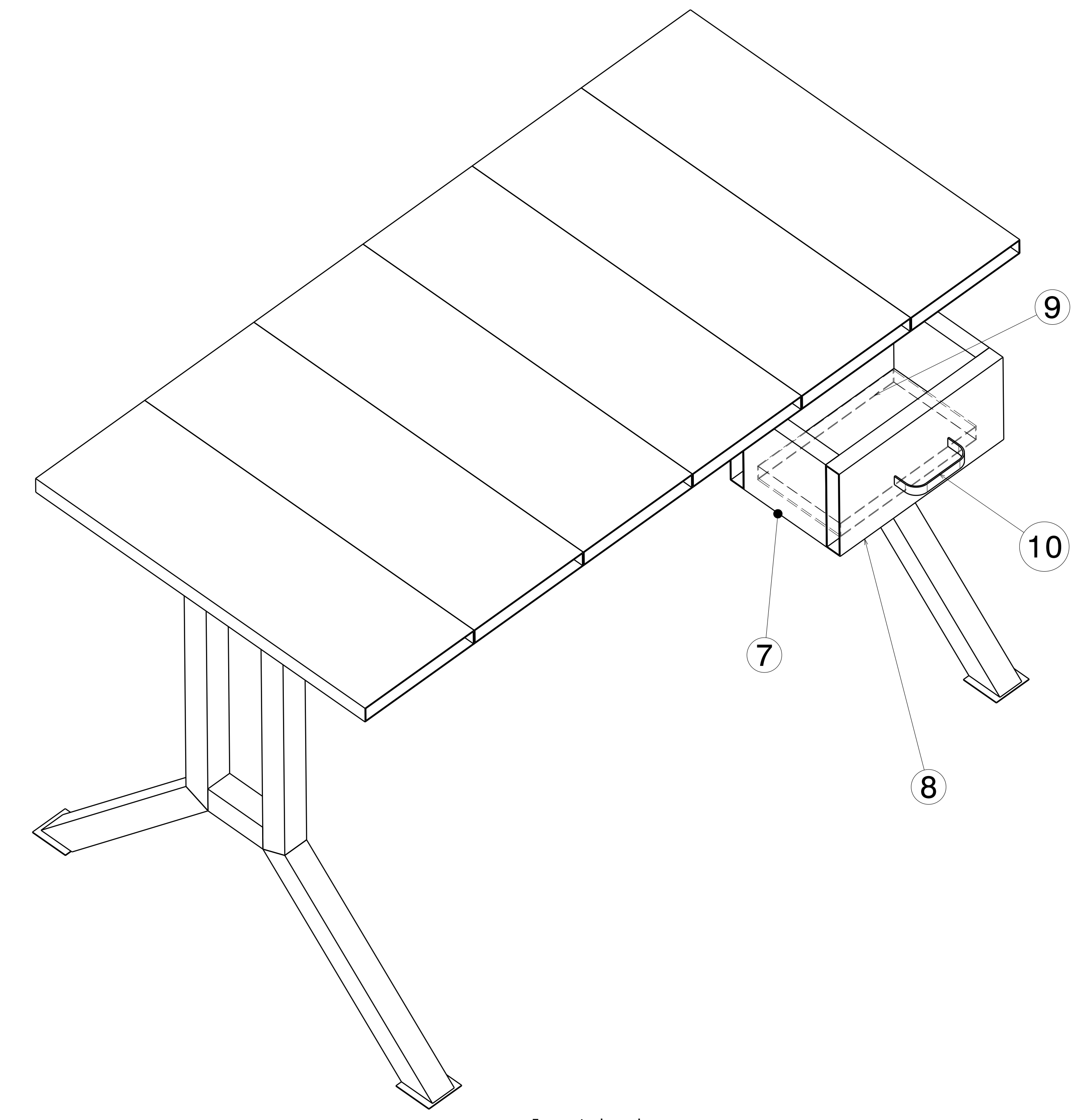


REV/DATE	DESCRIPTION
00 24DEC2020	INITIAL REVISION

- NOTES:
- (⊥) ALL VERTICAL SUPPORTS ARE PERPENDICULAR.
 - FLATNESS OF .5MM IS APPLIED BY DEFAULT.
 - ⊥ WELD BEAD OF 2MM RADIUS IS FOLLOWED.
 - ▽ SURFACE FINISH MEDIUM TO SMOOTH IS USED.
 - ALL TUBES ARE AS PER APL APOLLO STANDARD. CHANGES MAY EFFECT THE LOAD CAPACITY.
 - ALL HORIZONTAL AND VERTICAL TUBES ARE PERPENDICULAR TO EACH OTHER WITH ±1 DEG.
 - FINE WELDING IS REQUIRED AS PER MENTIONED DETAILS AND FINISHING.
 - HIGHER CURRENT WELDING MAY AFFECT THE BRITTLNESS OF MATERIAL WHICH LATER MAY RAISE TO WEAKENING OF STRUCTURE.
 - FABRICATORS ARE ALLOWED TO USE FITTINGS/FRAMES/SUPPORTS AS NEEDED AND THE SAME MUST BE COMMUNICATED BACK TO ENGINEERING TEAM.
 - BOP COMPONENT WEIGHTS ARE FOR REFERENCE ONLY AND SUBJECTED TO CHANGE PER PURCHASED COMPONENTS.




Isometric view
Scale: 1:2

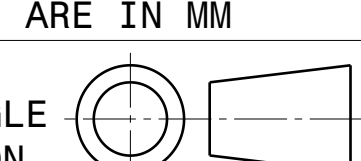


Isometric view
Scale: 1:4

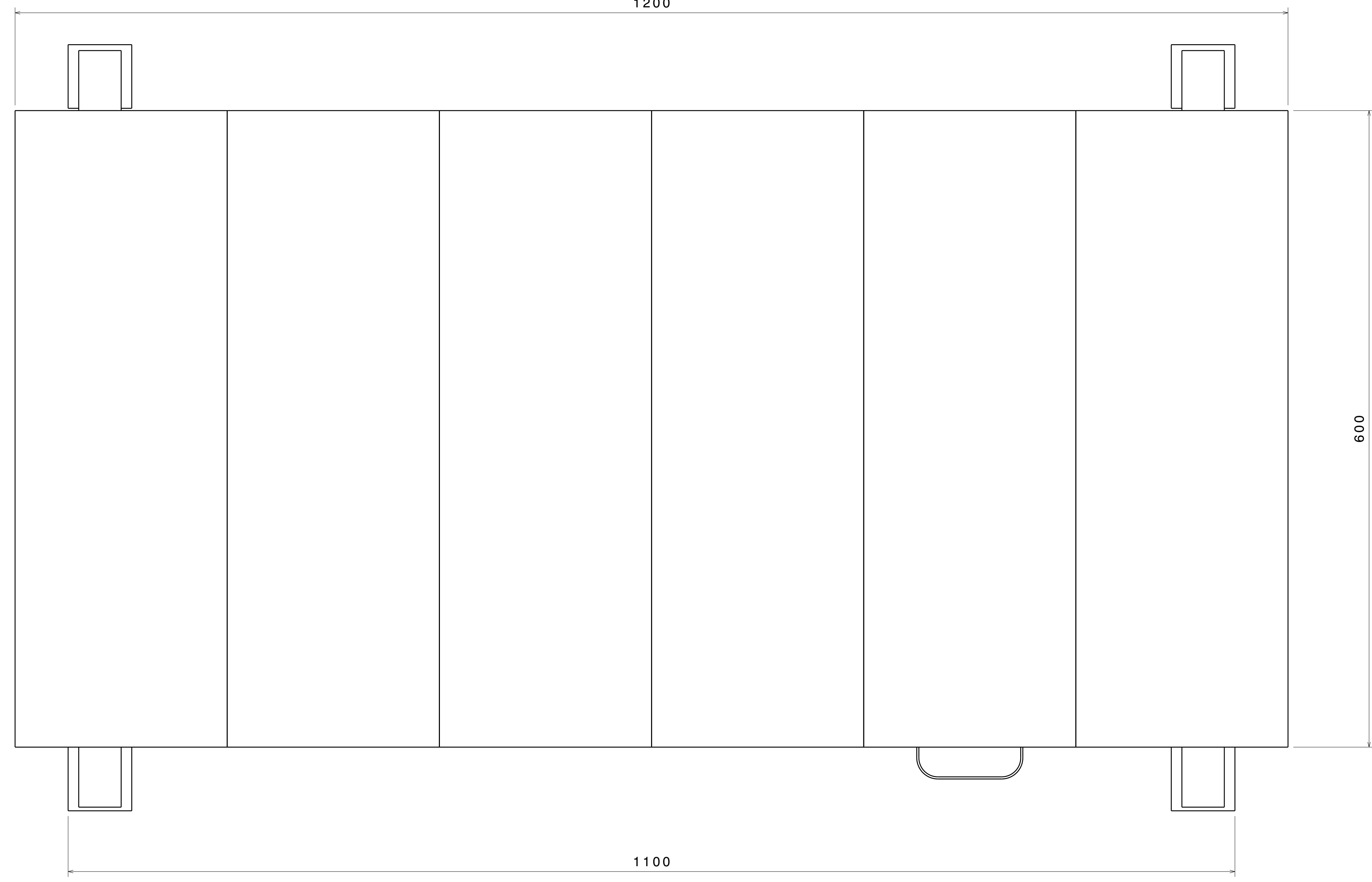
ITEM NO.	PART NUMBER	DESCRIPTION	QTY.	Wt (Kg)/Each
10	HANDLE - BOP	----	1	--
9	PLANK 4	150 X 25 X 1.6 X 250	1	1.03
8	PLANK 3	150 X 25 X 1.6 X 300	2	1.3
7	PLANK 2	150 X 25 X 1.6 X 150	2	0.65
6	BOP PLATE 1	AS PER DIMENSION	4	0.03
5	PLANK 1	200 X 25 X 1.6 X 600	6	3.35
4	SHS FRAME 3	40 X 40 X 3 X 1000	2	2.55
3	SHS FRAME 2	40 X 40 X 3 X 450	4	1.54
2	SHS FRAME 1	40 X 40 X 2 X 100	2	0.24
1	RHS FRAME 1	40 X 40 X 3 X 380	4	1.28

This drawing is our property. It can't be reproduced or communicated without our written agreement.		APL APOLLO TUBES LTD. 	
DRAWN BY SB		DATE 24DEC2020	
CHECKED BY P2P Analysis & Solutions		DATE 24DEC2020	
DESIGNED BY P2P Analysis & Solutions		DATE 24DEC2020	
DRAWING TITLE DEC 20-14		SIZE A0	DRAWING NUMBER P2P DEC 20-14
SCALE As Indicated		WEIGHT (kg) 0kg	REV 00
		SHEET 1 OF 3	

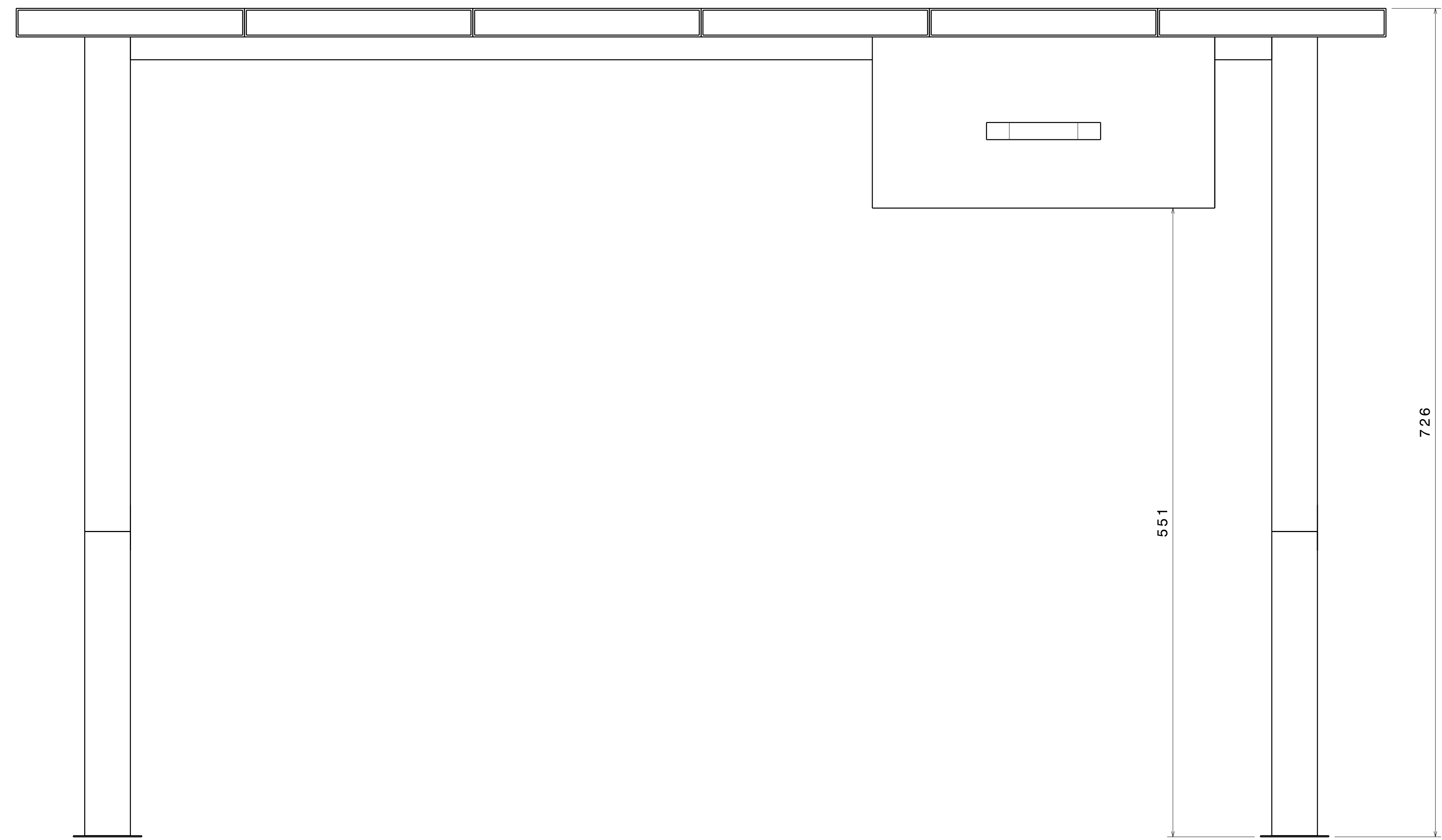
UNLESS OTHERWISE SPECIFIED DIMENSION ARE IN MM
VIEWS: THIRD ANGLE PROJECTION



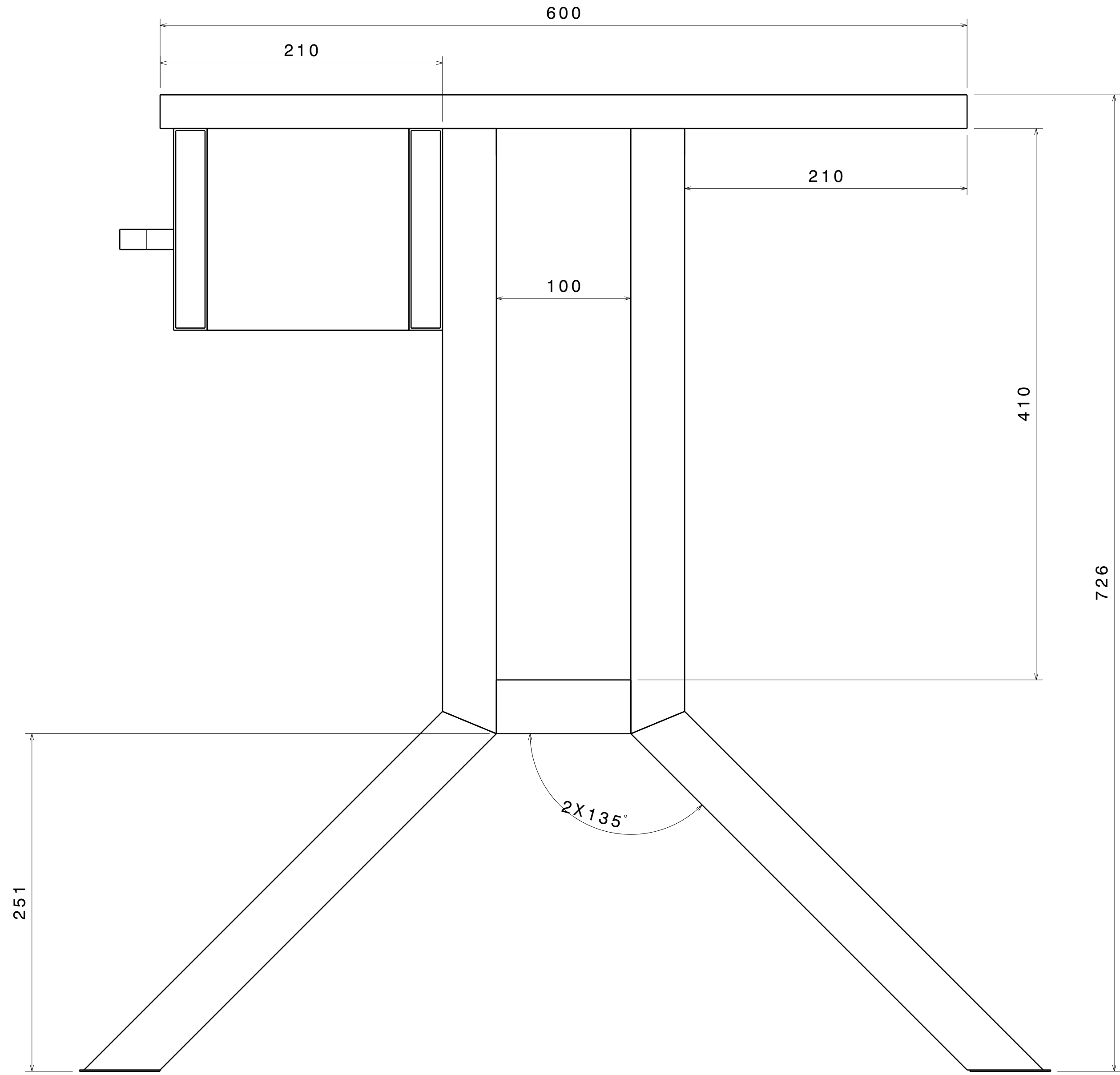
REV	DATE	DESCRIPTION
00	24DEC2020	INITIAL REVISION




Top view
Scale: 2:5



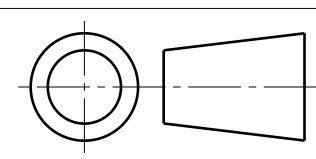
Front view



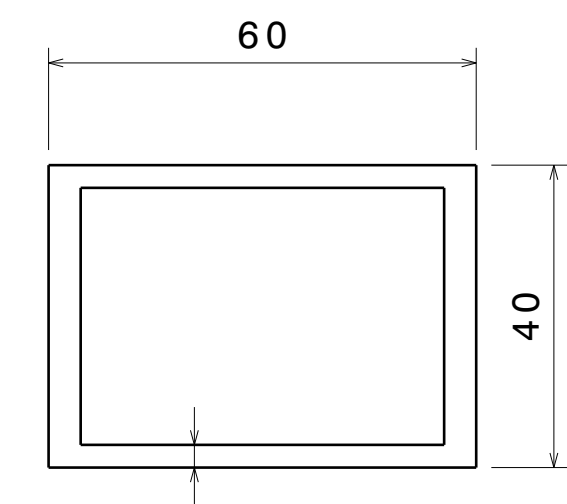
Right view
Scale: 2:5

This drawing is our property. It can't be reproduced or communicated without our written agreement.		APL APOLLO TUBES LTD. 	
DRAWN BY SB		DATE 24DEC2020	
CHECKED BY P2P Analysis & Solutions		DATE 24DEC2020	
DESIGNED BY P2P Analysis & Solutions		DATE 24DEC2020	
DRAWING TITLE DEC 20-14		SIZE A0	DRAWING NUMBER P2P DEC 20-14
SCALE NONE		WEIGHT (kg) XXX	REV 00
		SHEET 2 OF 3	

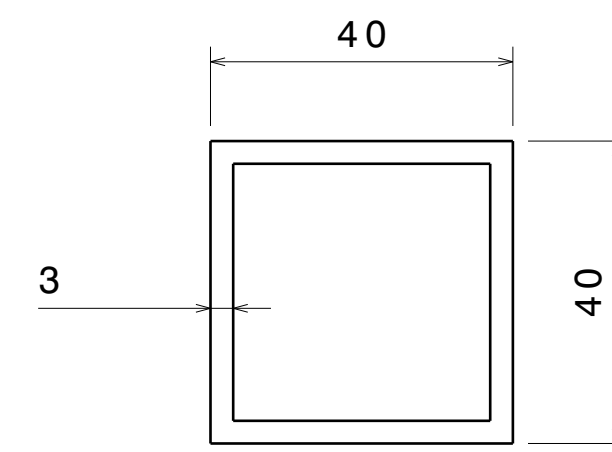
UNLESS OTHERWISE SPECIFIED DIMENSION ARE IN MM VIEWS: THIRD ANGLE PROJECTION



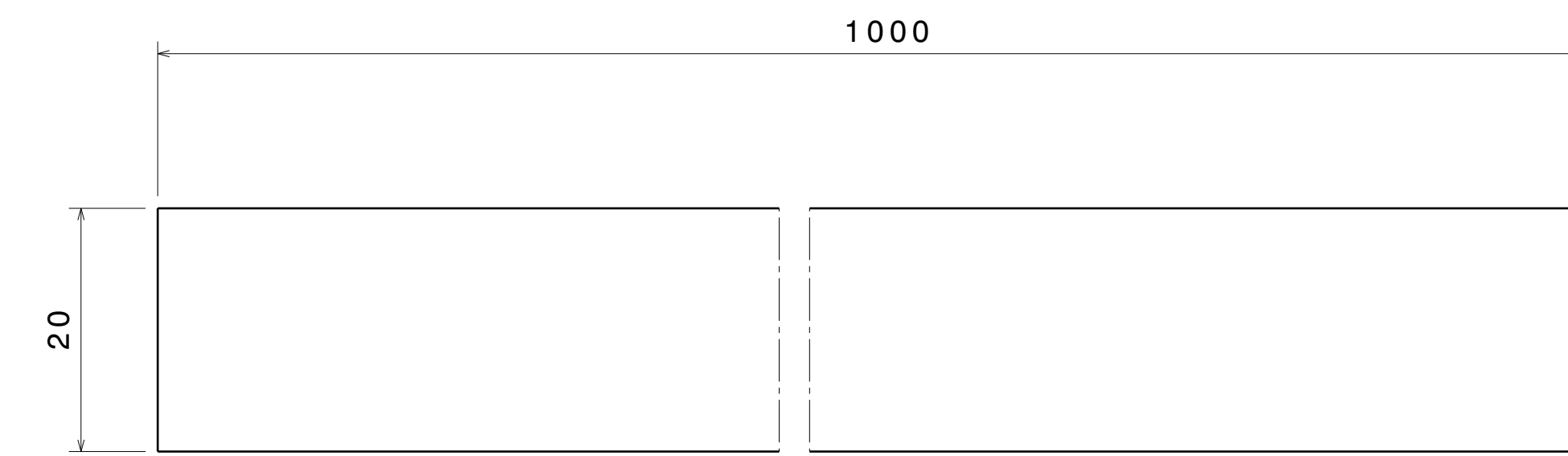
REV/DATE	DESCRIPTION
00 24DEC2020	INITIAL REVISION



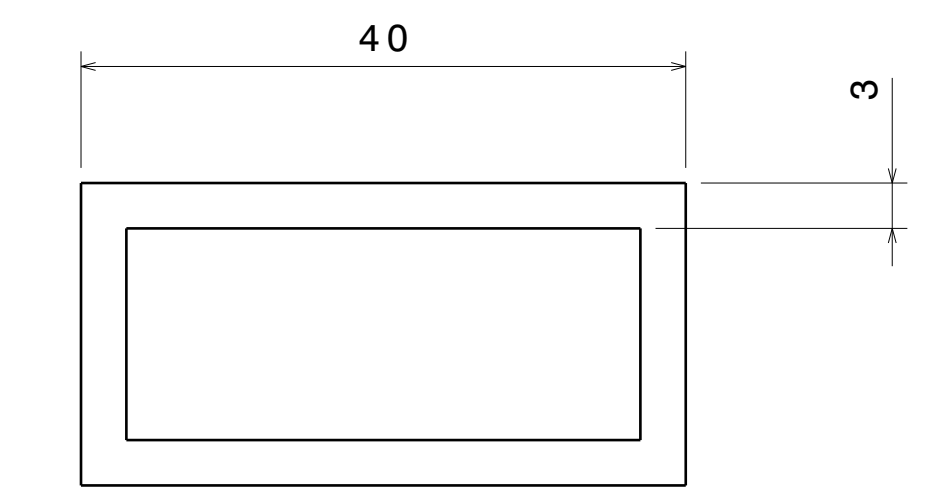
Top view
Scale: 1:1



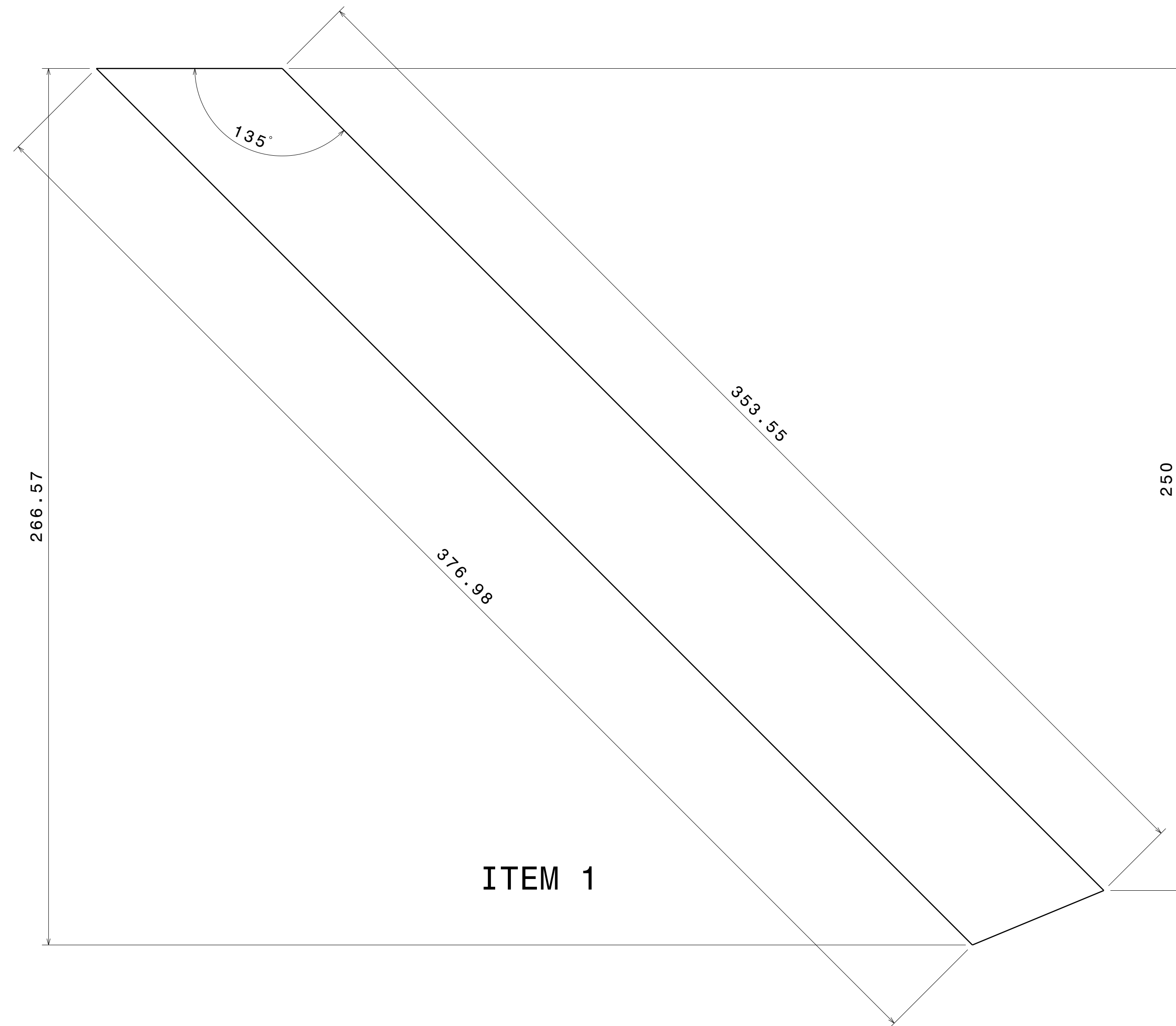
Top view
Scale: 1:1



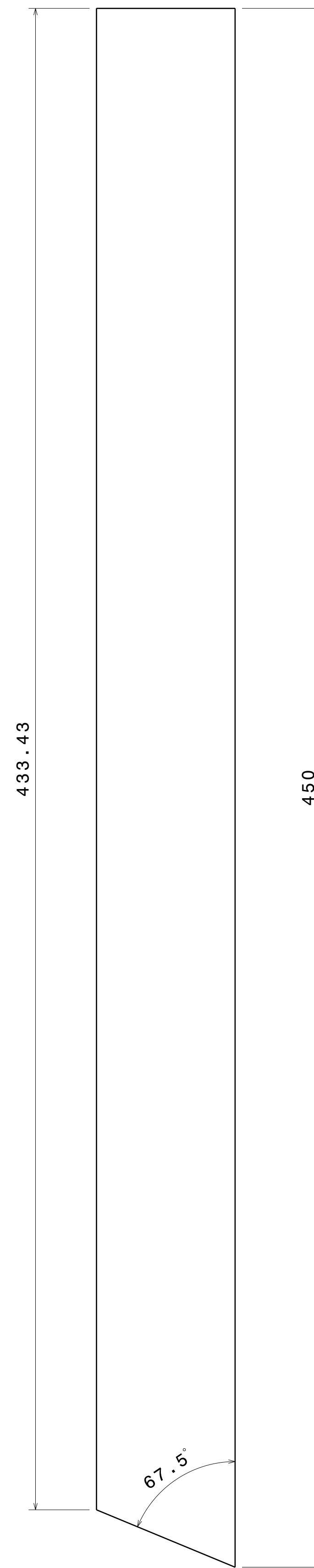
ITEM 4



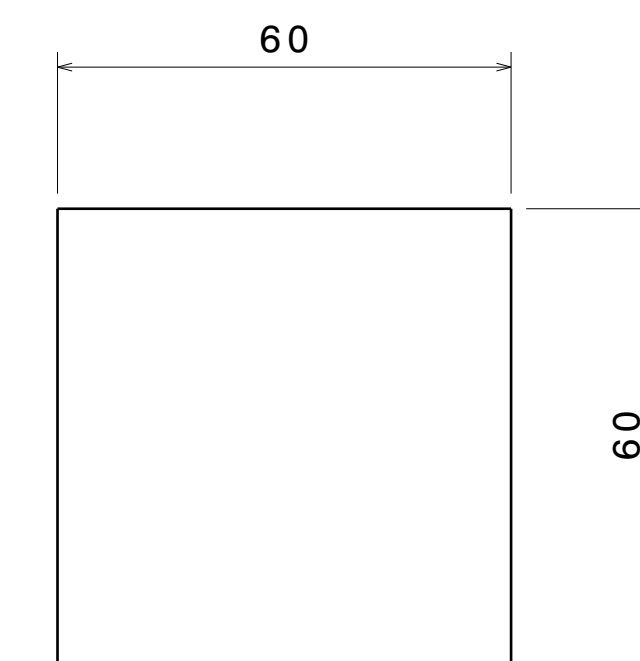
Right view
Scale: 2:1



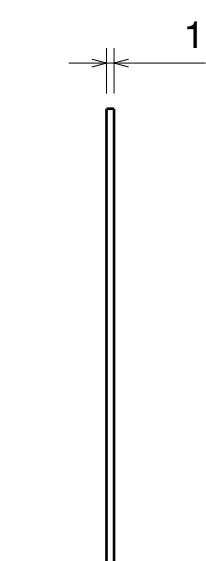
ITEM 1



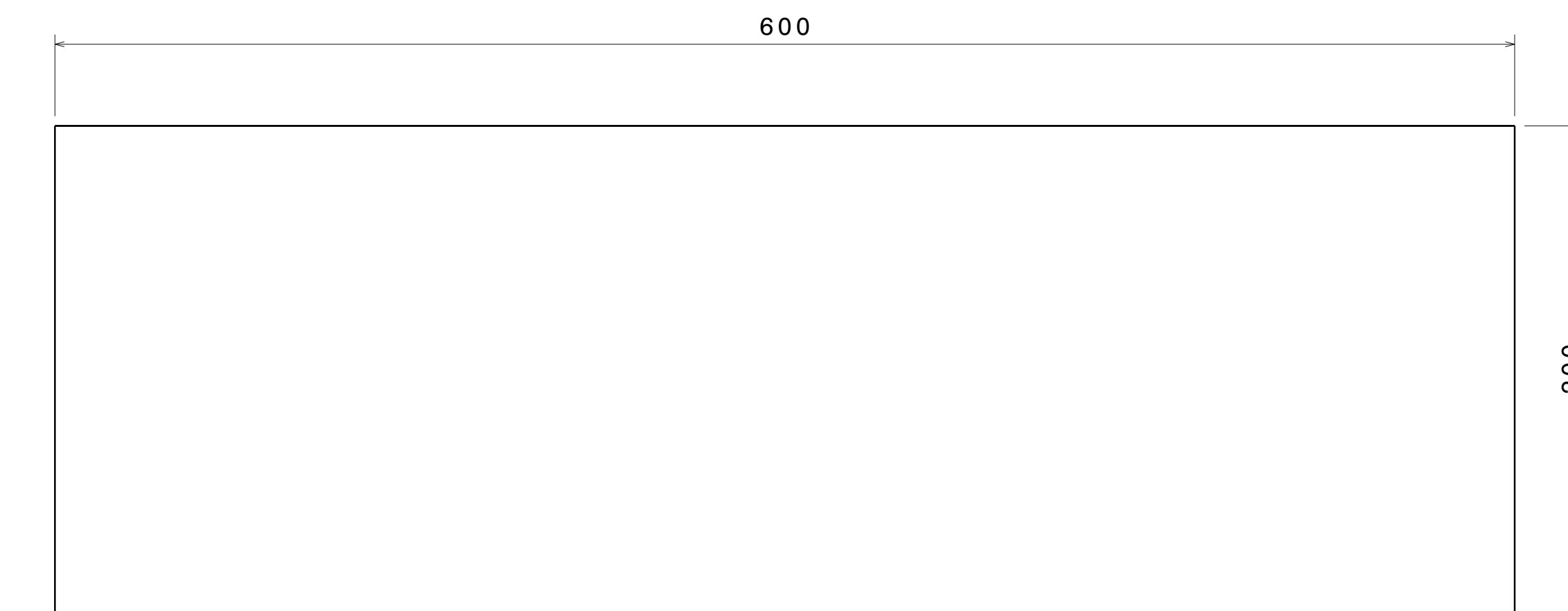
ITEM 3



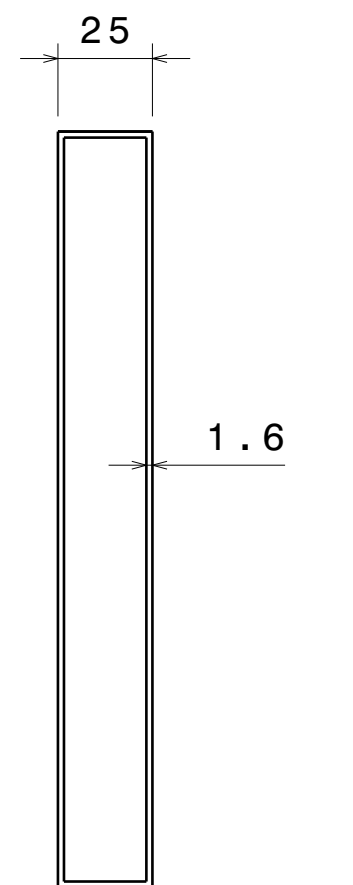
ITEM 6



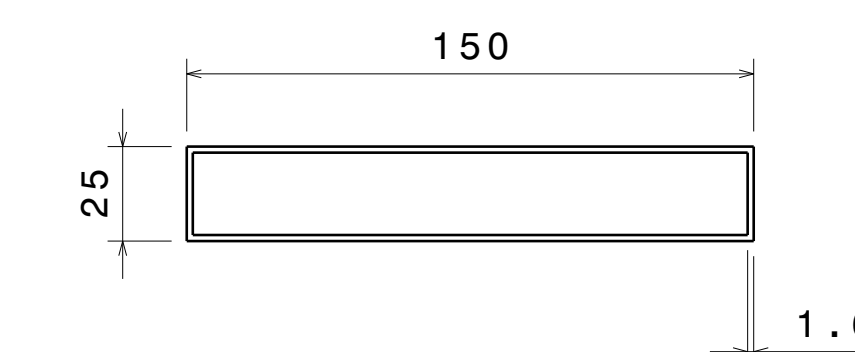
Right view
Scale: 1:1



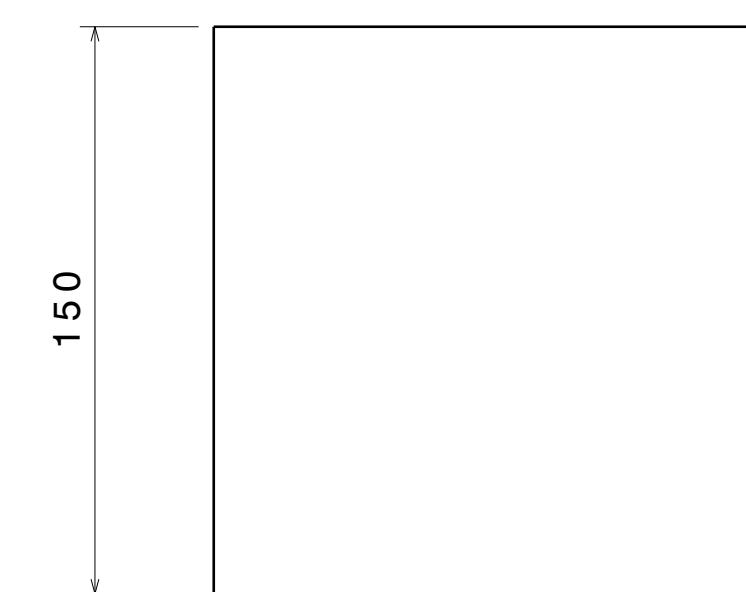
ITEM 5



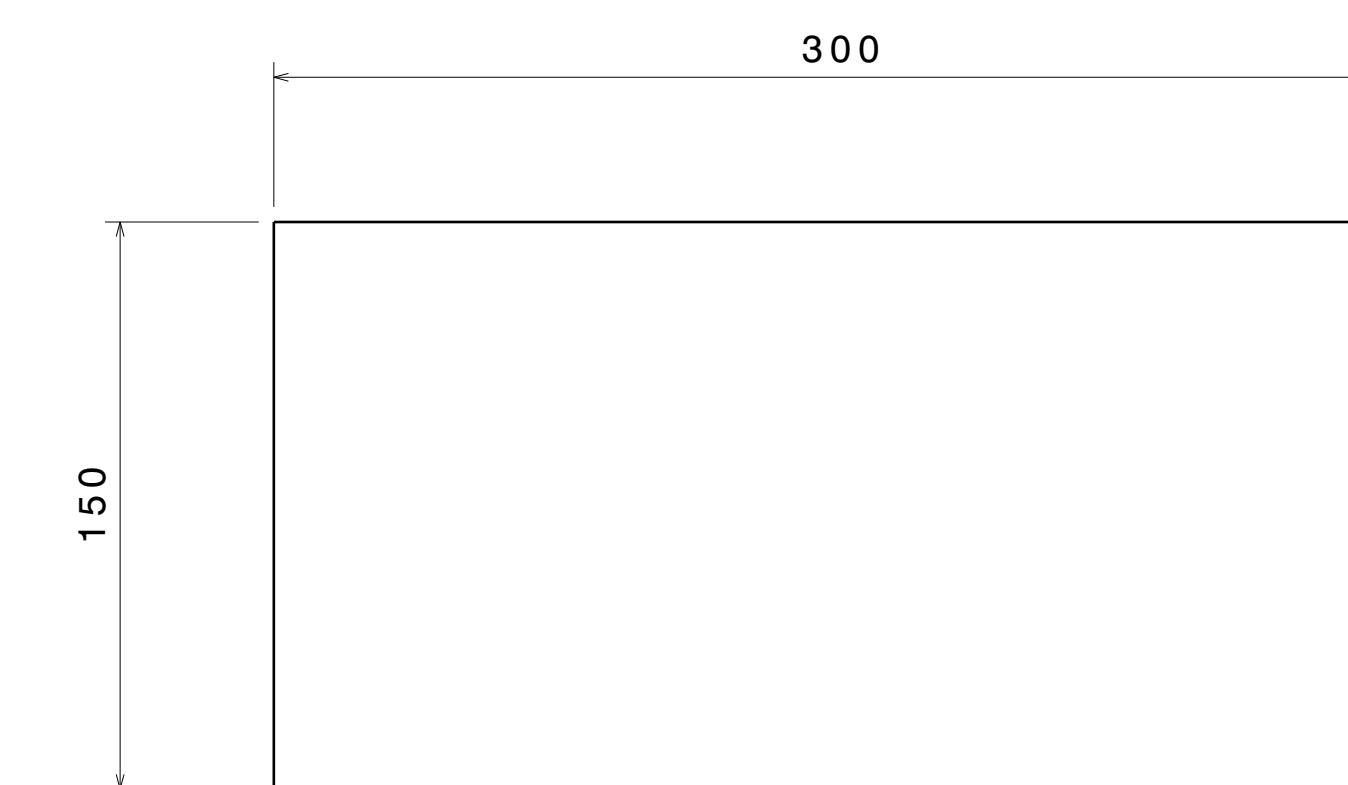
Right view
Scale: 1:2



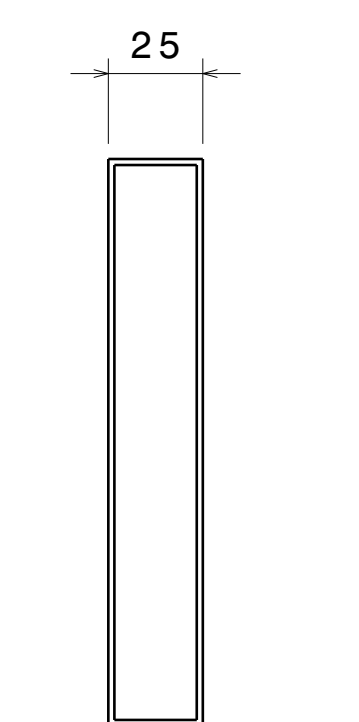
Top view
Scale: 1:2



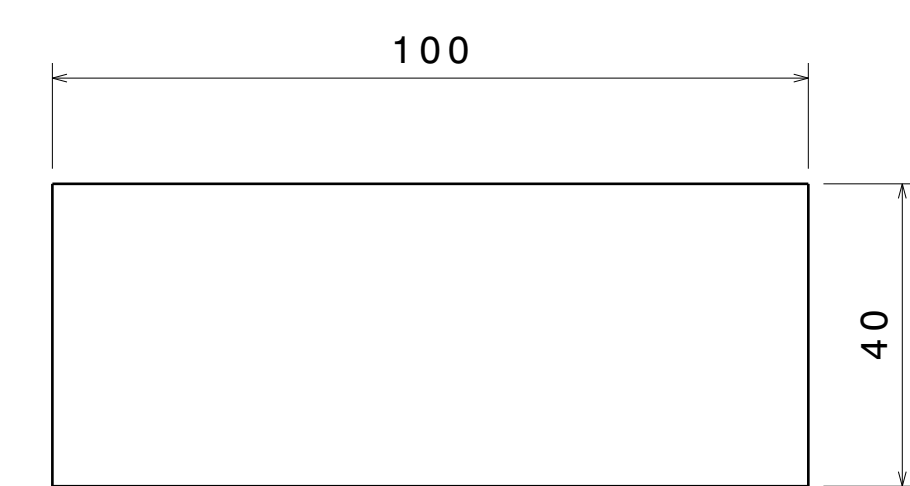
ITEM 7



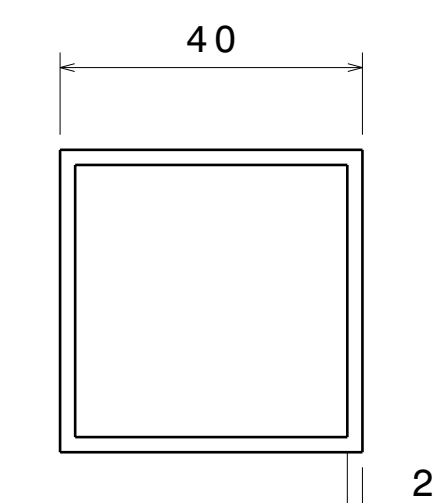
ITEM 8



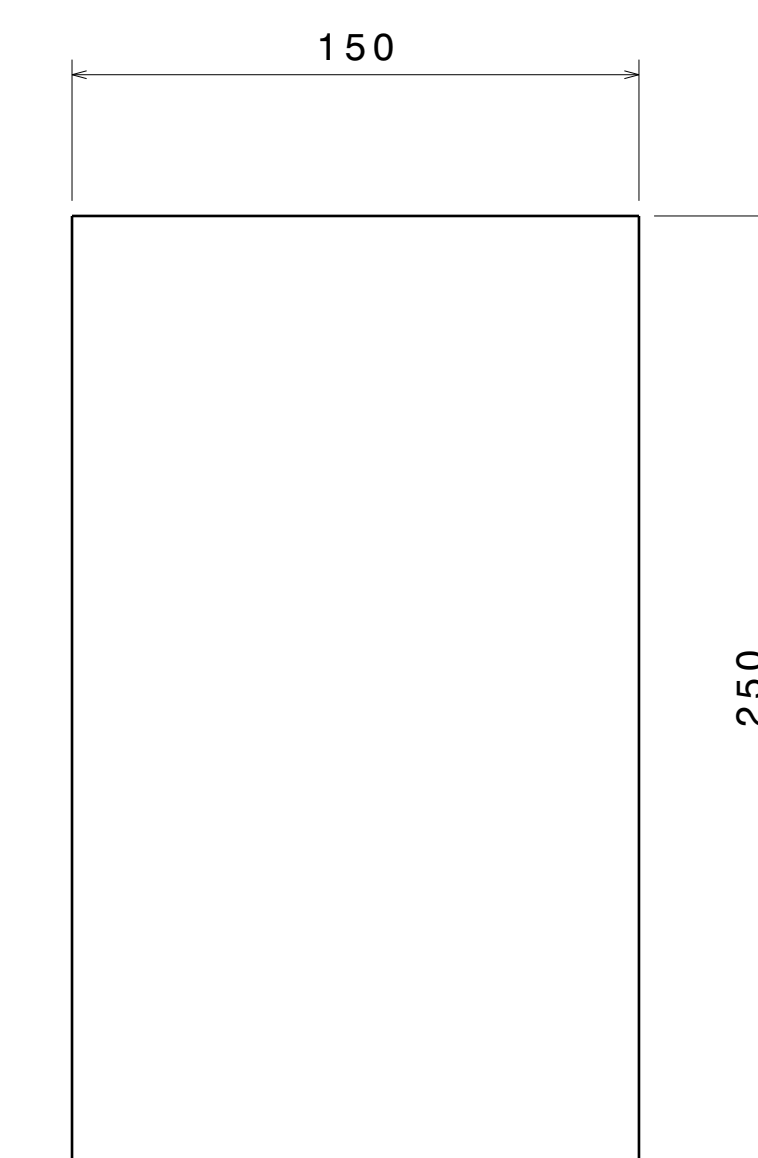
Right view
Scale: 1:2



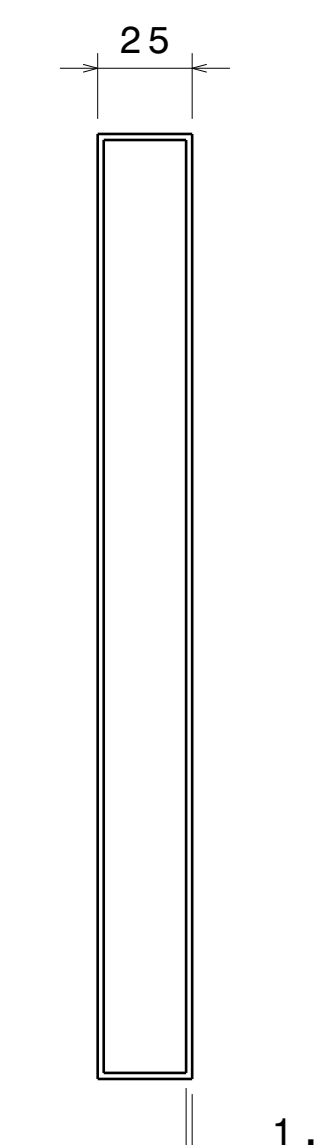
ITEM 2



Right view
Scale: 1:1



ITEM 9



Right view
Scale: 1:2

UNLESS OTHERWISE SPECIFIED DIMENSION ARE IN MM VIEWS: THIRD ANGLE PROJECTION

This drawing is our property. It can't be reproduced or communicated without our written agreement.

DRAWN BY	DATE
SB	24DEC2020
CHECKED BY	DATE
P2P Analysis & Solutions	24DEC2020
DESIGNED BY	DATE
P2P Analysis & Solutions	24DEC2020

APL APOLLO TUBES LTD.	
DRAWING TITLE	
DEC 20-14	
SIZE	DRAWING NUMBER
A0	P2P DEC 20-14
SCALE	WEIGHT (kg)
NONE	XXX
REV	SHEET 3 OF 3
00	