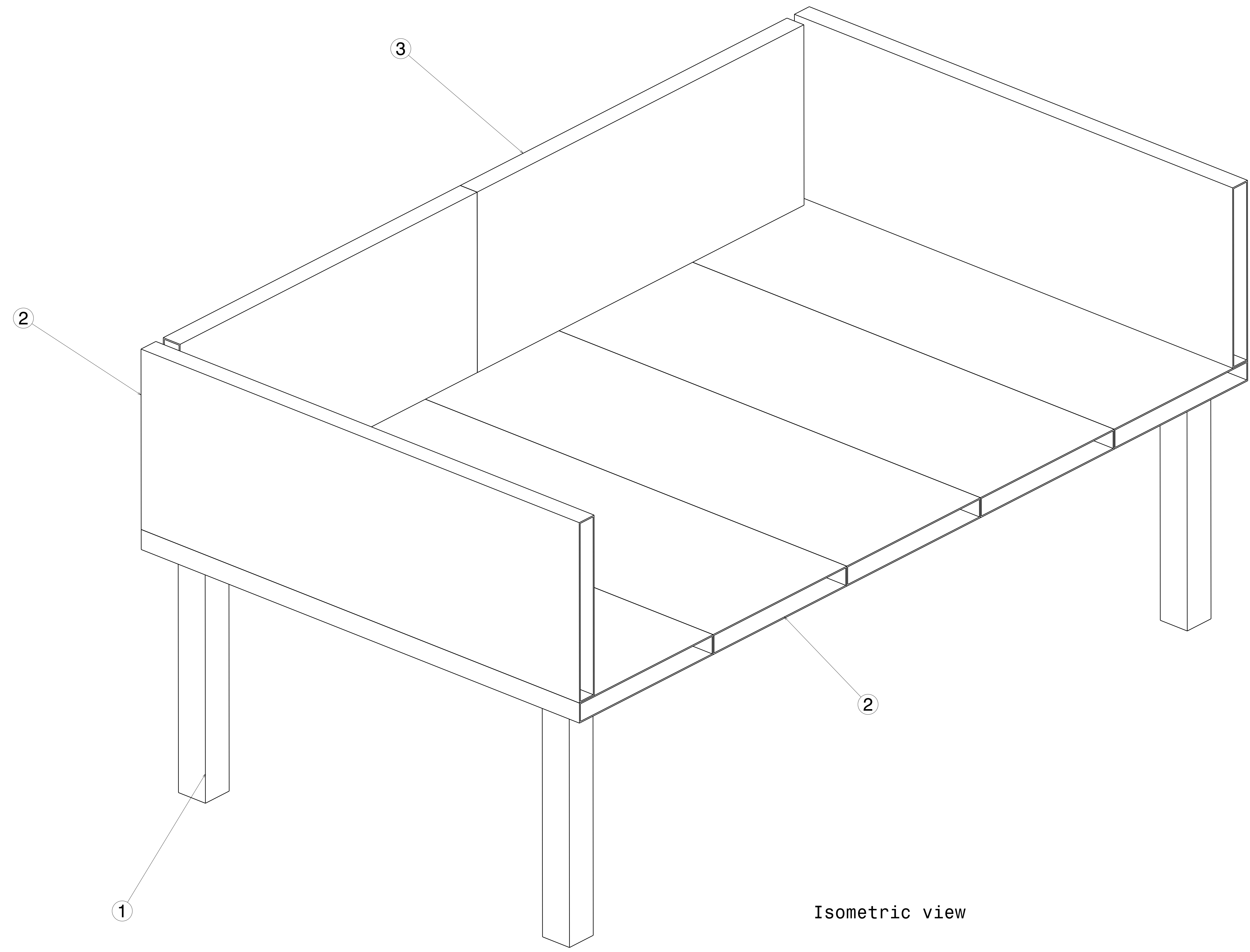


REV/DATE	DESCRIPTION
00 24DEC2020	INITIAL REVISION

- NOTES:
- (⊥) ALL VERTICAL SUPPORTS ARE PERPENDICULAR.
 - FLATNESS OF .5MM IS APPLIED BY DEFAULT.
 - ⊲ WELD BEAD OF 2MM RADIUS IS FOLLOWED.
 - ▽▽ SURFACE FINISH MEDIUM TO SMOOTH IS USED.
 - ALL TUBES ARE AS PER APL APOLLO STANDARD. CHANGES MAY EFFECT THE LOAD CAPACITY.
 - ALL HORIZONTAL AND VERTICAL TUBES ARE PERPENDICULAR TO EACH OTHER WITH ±1 DEG.
 - FINE WELDING IS REQUIRED AS PER MENTIONED DETAILS AND FINISHING.
 - HIGHER CURRENT WELDING MAY AFFECT THE BRITTLENESS OF MATERIAL WHICH LATER MAY RAISE TO WEAKENING OF STRUCTURE.
 - FABRICATORS ARE ALLOWED TO USE FITTINGS/FRAMES/SUPPORTS AS NEEDED AND THE SAME MUST BE COMMUNICATED BACK TO ENGINEERING TEAM.
 - BOP COMPONENT WEIGHTS ARE FOR REFERENCE ONLY AND SUBJECTED TO CHANGE PER PURCHASED COMPONENTS.



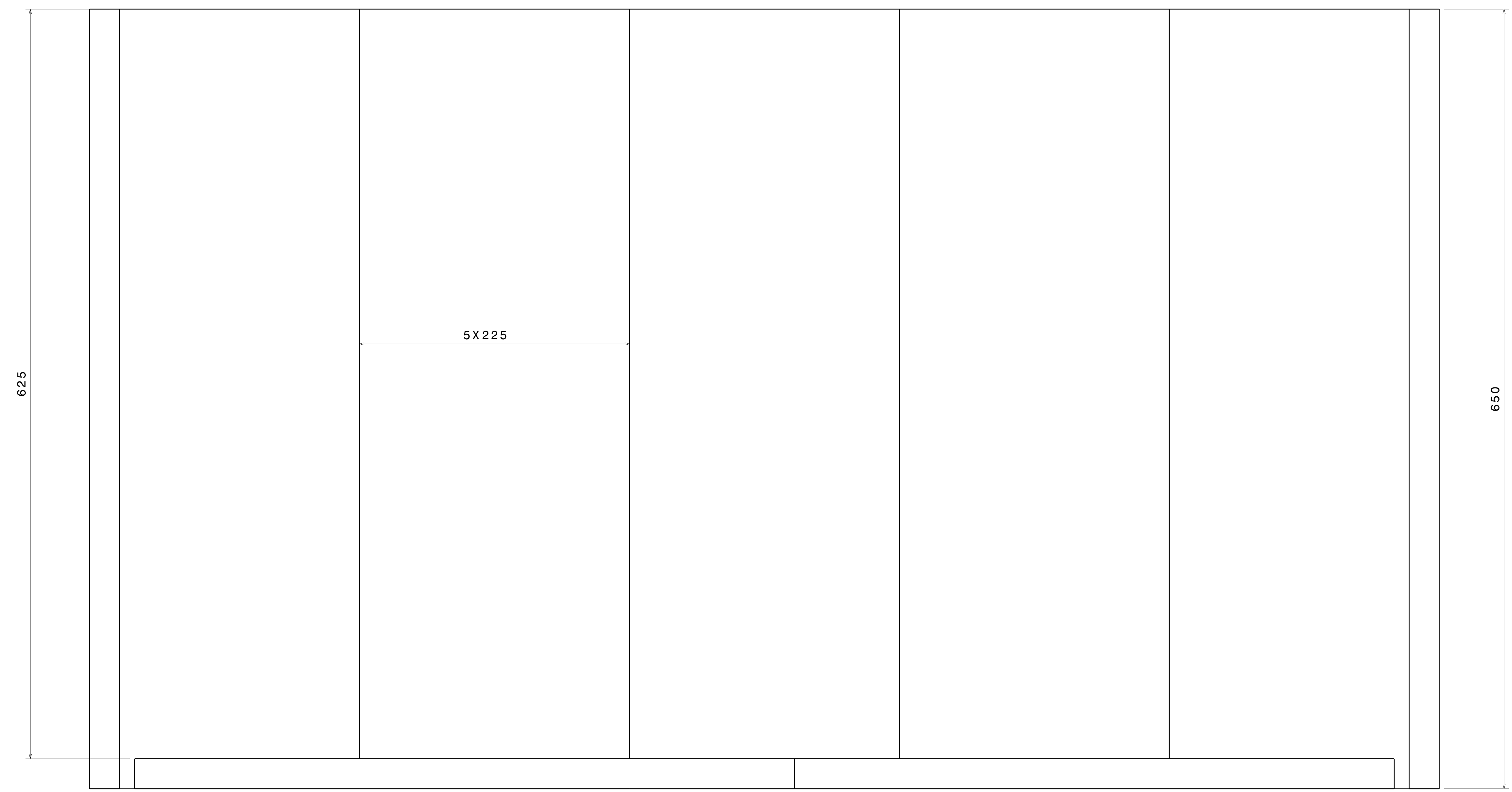
Isometric view

ITEM NO.	PART NUMBER	DESCRIPTION	QTY.	Wt (Kg)/Each
3	PLANK 2	225 X 25 X 1.6 X 550	2	3.42
2	PLANK 1	225 X 25 X 1.6 X 650	7	4.04
1	SHS FRAME 1	40 X 40 X 2 X 300	4	0.72

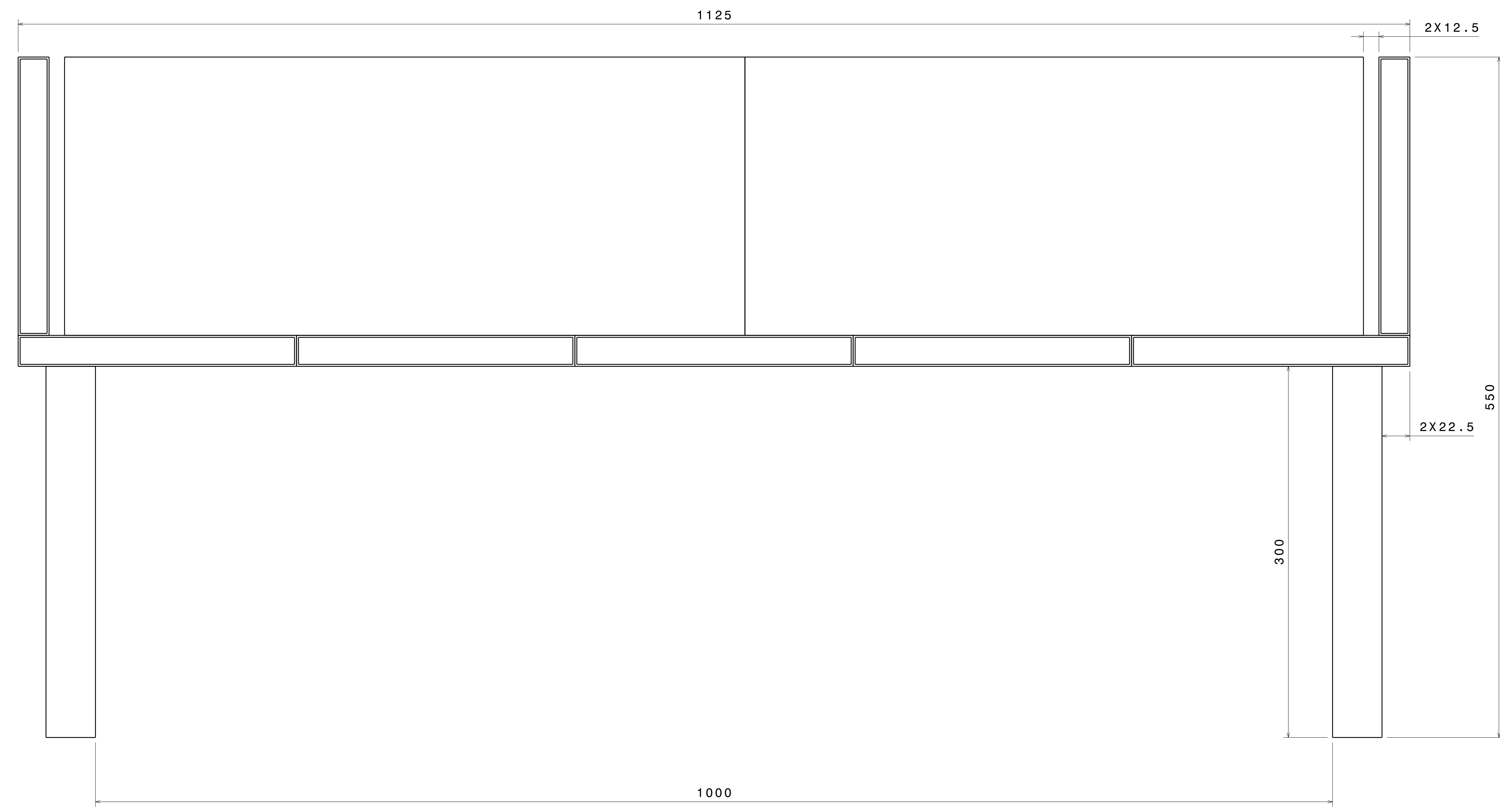
UNLESS OTHERWISE SPECIFIED DIMENSION ARE IN MM VIEWS: THIRD ANGLE PROJECTION			
DRAWN BY SB		DATE 24DEC2020	
CHECKED BY P2P Analysis & Solutions		DATE 24DEC2020	
DESIGNED BY P2P Analysis & Solutions		DATE 24DEC2020	

This drawing is our property. It can't be reproduced or communicated without our written agreement.		APL APOLLO TUBES LTD.	
DRAWING TITLE			
DEC 20-15			
SIZE	DRAWING NUMBER	REV	
A0	P2P DEC 20-15	00	
SCALE	WEIGHT(kg)	0kg	SHEET 1 OF 3
As Indicated			

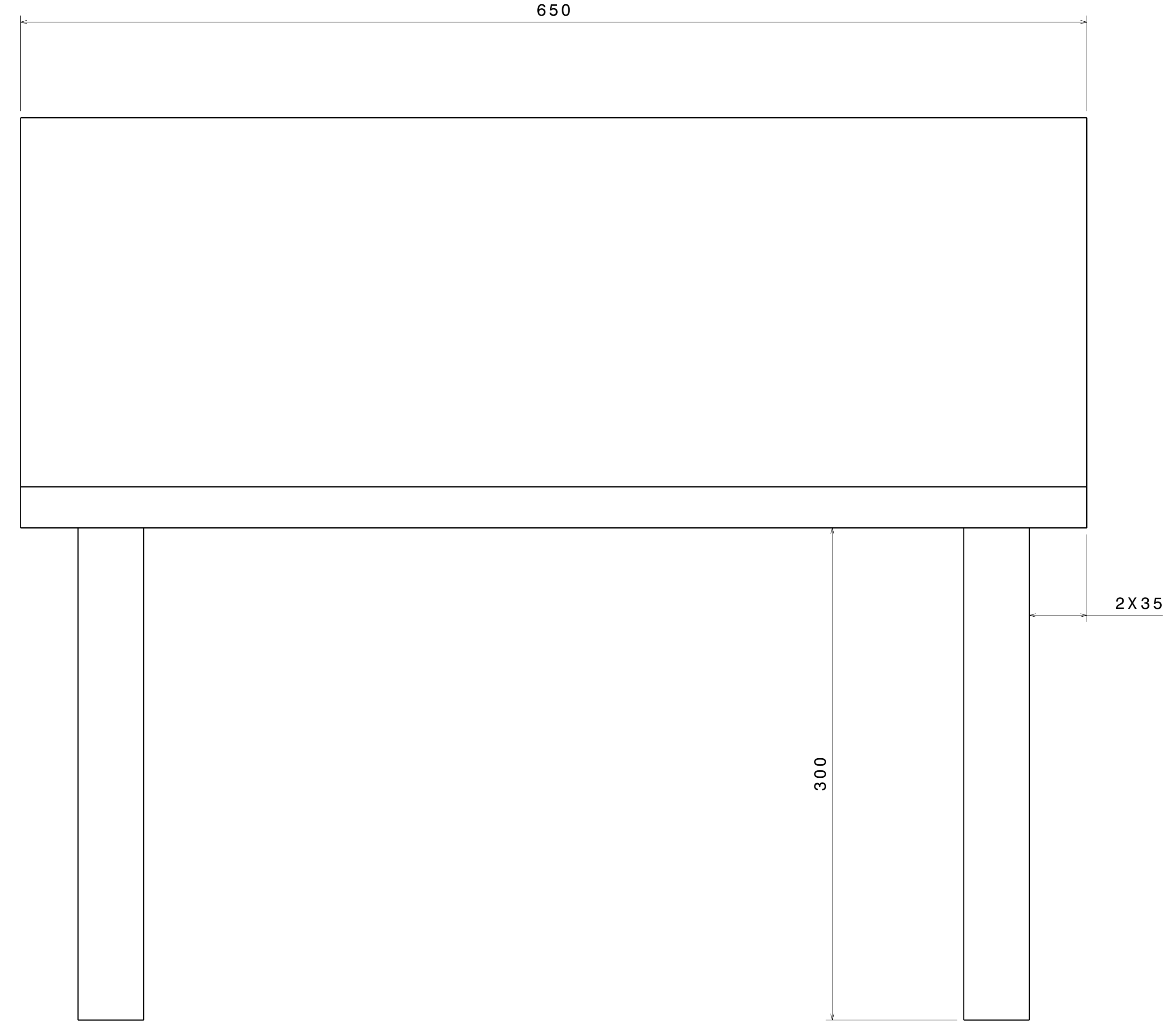
REV	DATE	DESCRIPTION
00	24DEC2020	INITIAL REVISION



Top view
Scale: 1:2

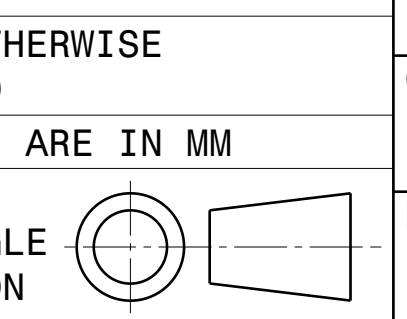



Front view
Scale: 1:2



Right view
Scale: 1:2

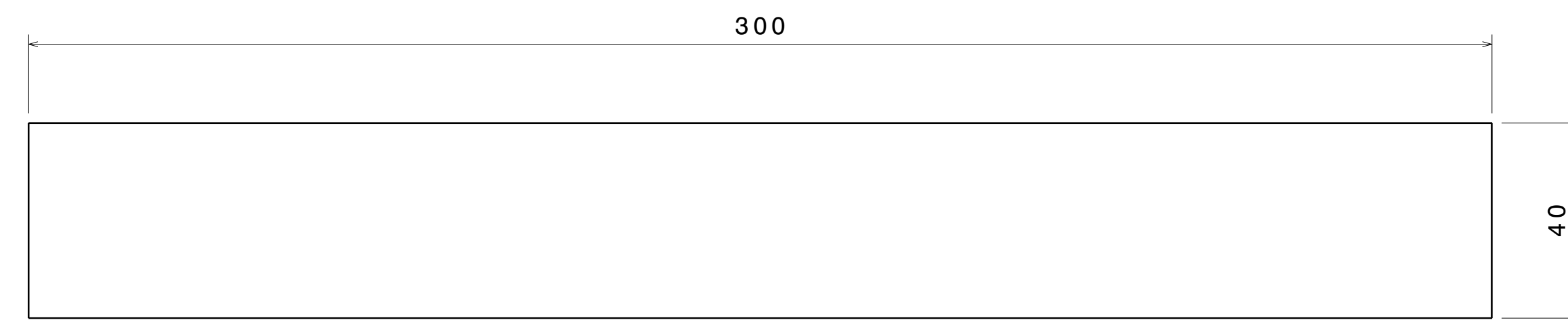
UNLESS OTHERWISE SPECIFIED DIMENSION ARE IN MM
VIEWS: THIRD ANGLE PROJECTION



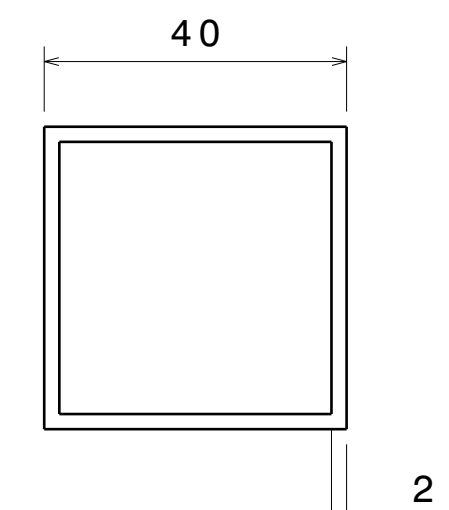
This drawing is our property. It can't be reproduced or communicated without our written agreement.		APL APOLLO TUBES LTD. 	
DRAWN BY SB		DATE 24DEC2020	
CHECKED BY P2P Analysis & Solutions		DATE 24DEC2020	
DESIGNED BY P2P Analysis & Solutions		DATE 24DEC2020	
SIZE A0	DRAWING NUMBER P2P DEC 20-15	REV 00	
SCALE NONE	WEIGHT (kg) XXX	SHEET 2 OF 3	

DRAWING TITLE
DEC 20-15

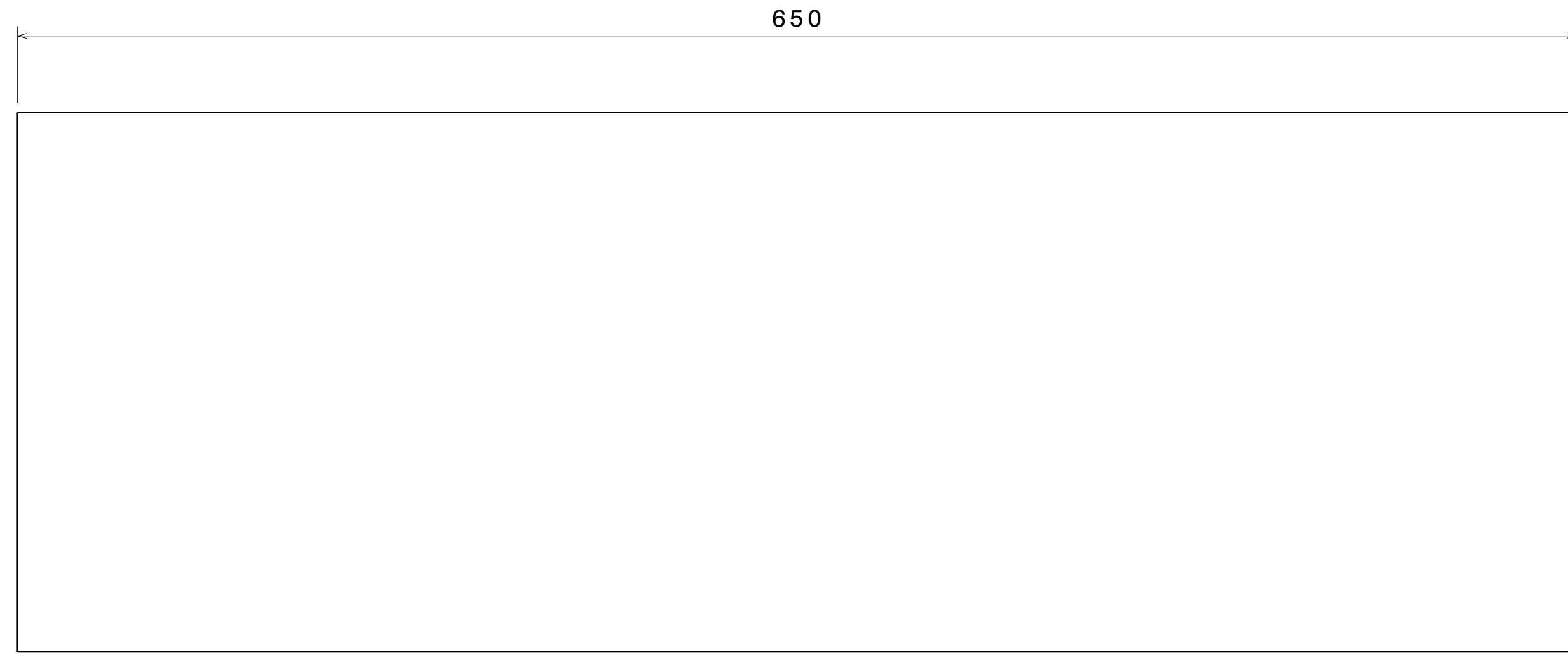
REV	DATE	DESCRIPTION
00	24DEC2020	INITIAL REVISION



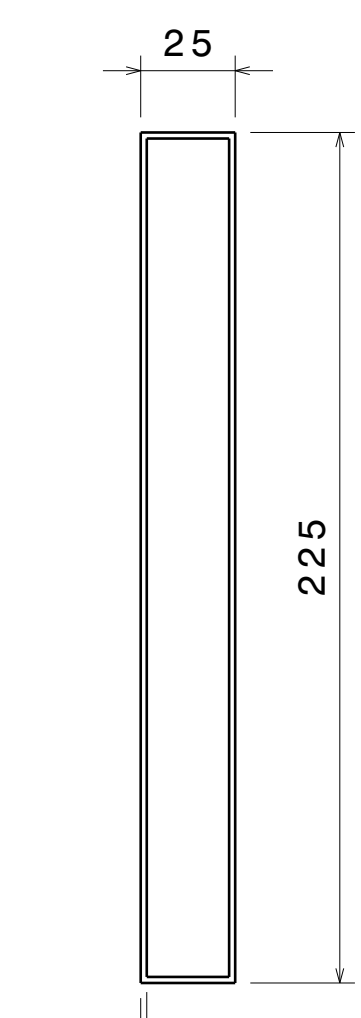
ITEM 1



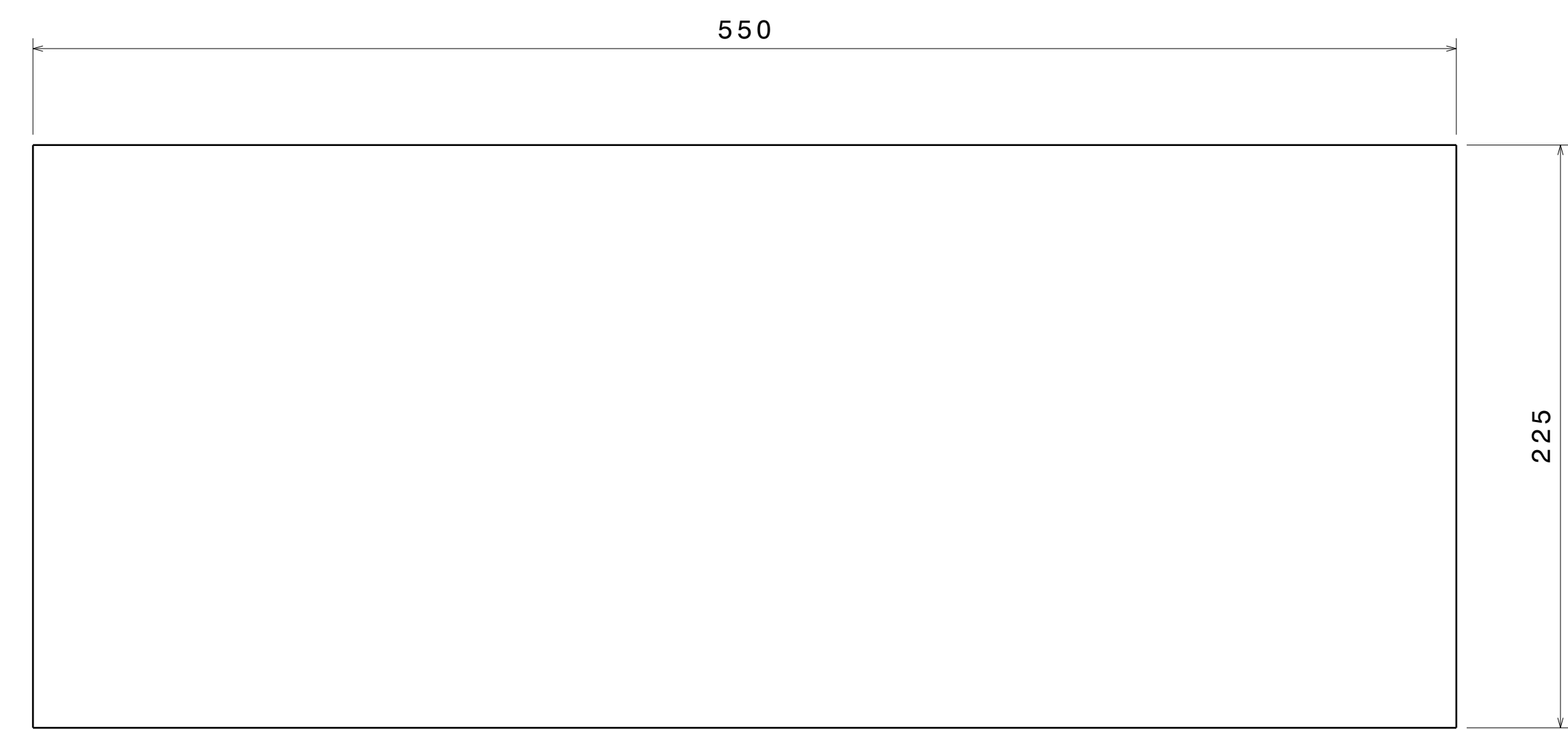
Right view
Scale: 1:1



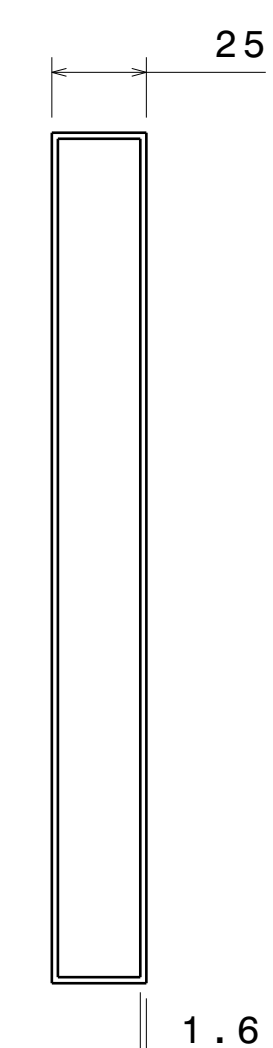
ITEM 2



Right view
Scale: 1:2



ITEM 3



Right view
Scale: 1:2

UNLESS OTHERWISE SPECIFIED DIMENSION ARE IN MM
VIEWS: THIRD ANGLE PROJECTION

This drawing is our property. It can't be reproduced or communicated without our written agreement.		APL APOLLO TUBES LTD.	
DRAWN BY SB		DATE 24DEC2020	
CHECKED BY P2P Analysis & Solutions		DATE 24DEC2020	
DESIGNED BY P2P Analysis & Solutions		DATE 24DEC2020	
SIZE A0	DRAWING NUMBER P2P DEC 20-15		REV 00
SCALE NONE	WEIGHT (kg)	XXX	SHEET 3 OF 3