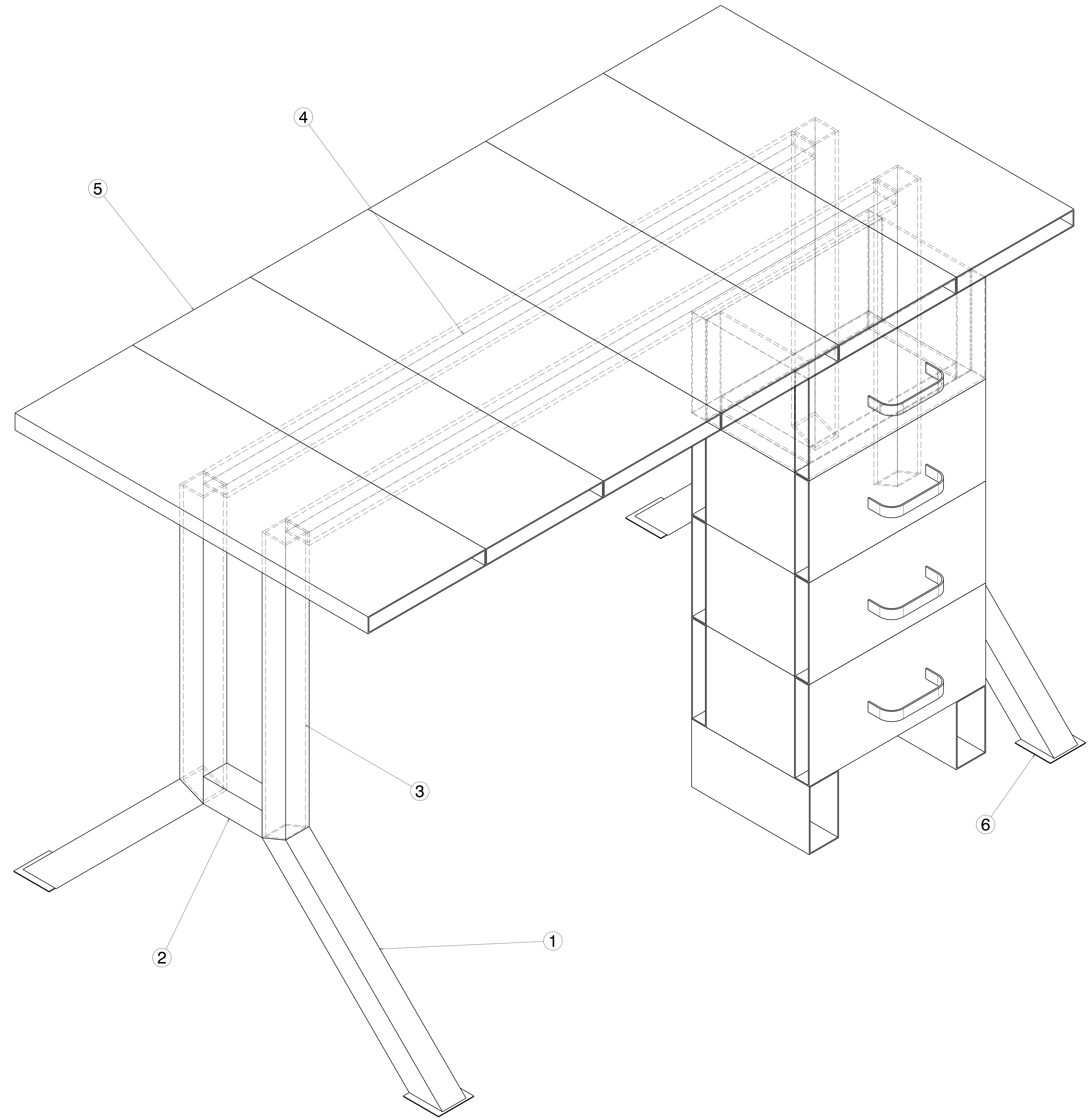
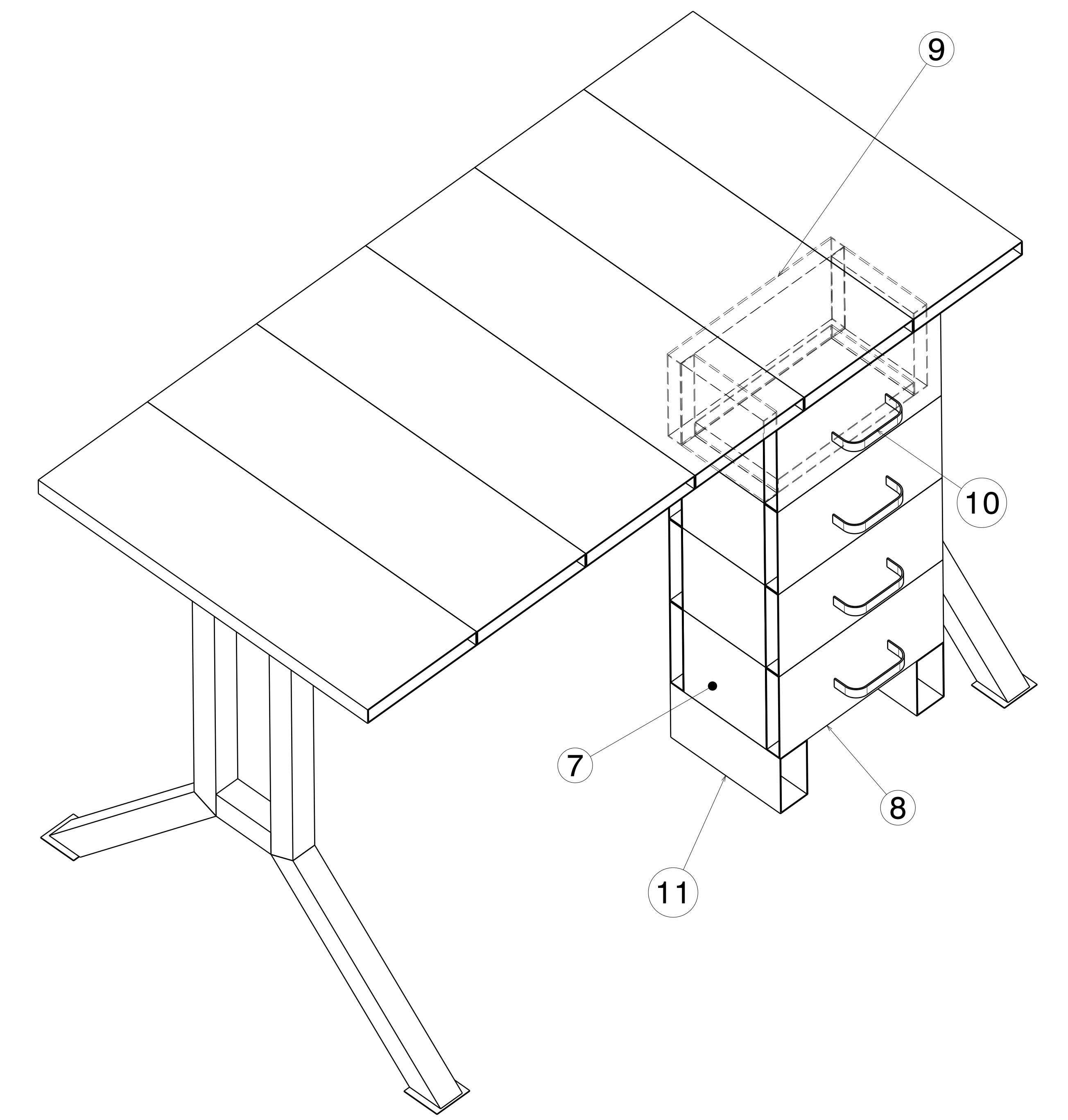


REV/DATE	DESCRIPTION
00 24DEC2020	INITIAL REVISION

- NOTES:
- (⊥) ALL VERTICAL SUPPORTS ARE PERPENDICULAR.
 - FLATNESS OF .5MM IS APPLIED BY DEFAULT.
 - ⊥ WELD BEAD OF 2MM RADIUS IS FOLLOWED.
 - ▽ SURFACE FINISH MEDIUM TO SMOOTH IS USED.
 - ALL TUBES ARE AS PER APL APOLLO STANDARD. CHANGES MAY EFFECT THE LOAD CAPACITY.
 - ALL HORIZONTAL AND VERTICAL TUBES ARE PERPENDICULAR TO EACH OTHER WITH ±1 DEG.
 - FINE WELDING IS REQUIRED AS PER MENTIONED DETAILS AND FINISHING.
 - HIGHER CURRENT WELDING MAY AFFECT THE BRITTLNESS OF MATERIAL WHICH LATER MAY RAISE TO WEAKENING OF STRUCTURE.
 - FABRICATORS ARE ALLOWED TO USE FITTINGS/FRAMES/SUPPORTS AS NEEDED AND THE SAME MUST BE COMMUNICATED BACK TO ENGINEERING TEAM.
 - BOP COMPONENT WEIGHTS ARE FOR REFERENCE ONLY AND SUBJECTED TO CHANGE PER PURCHASED COMPONENTS.




Isometric view
Scale: 1:2

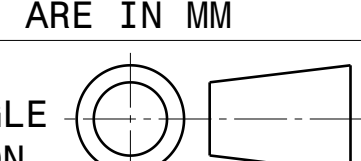


Isometric view
Scale: 1:4

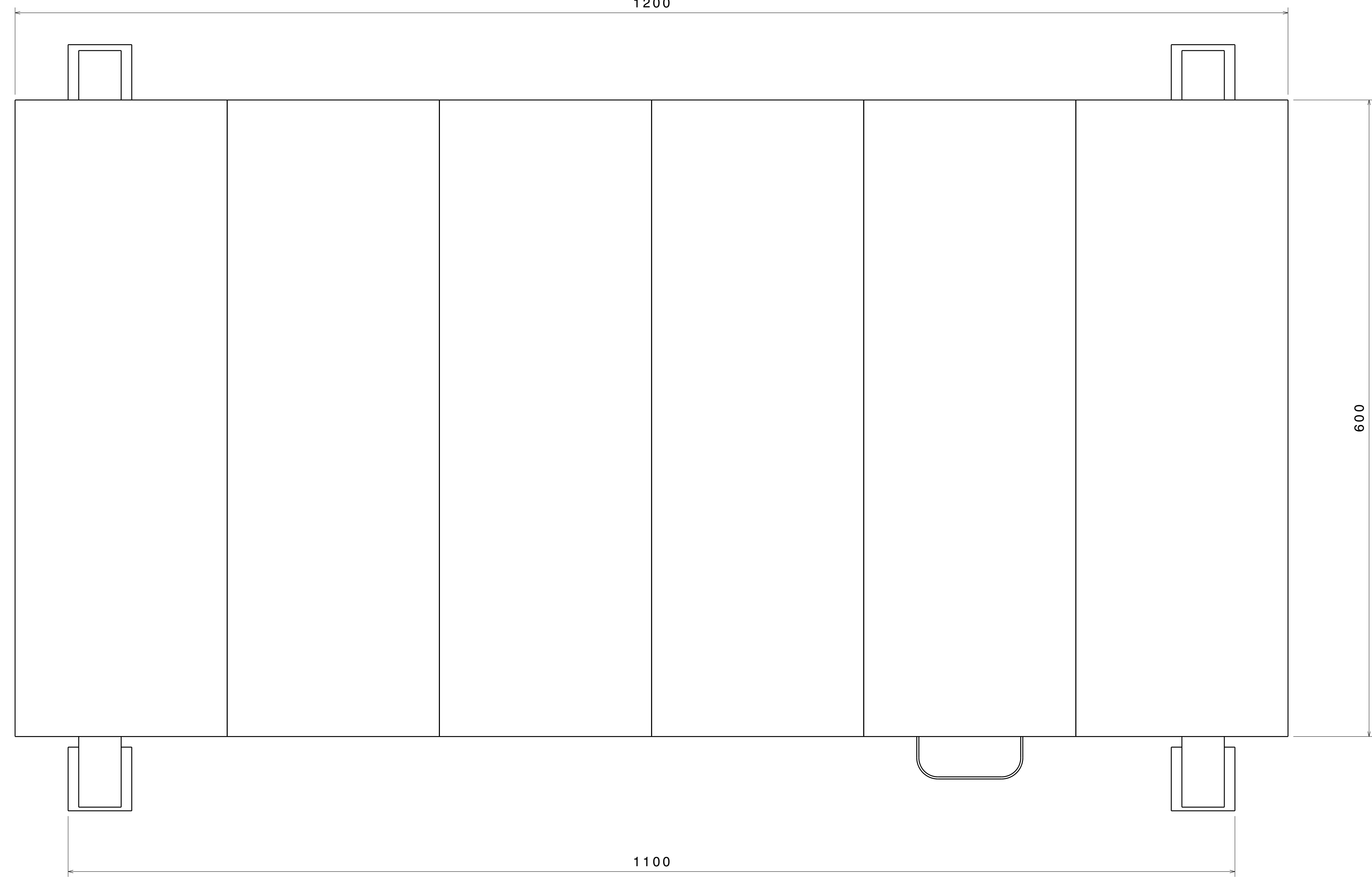
ITEM NO.	PART NUMBER	DESCRIPTION	QTY.	Wt (kg)/Each
11	RHS FRAME 2	100 X 50 X 1.6 X 200	2	0.74
10	HANDLE - BOP	-----	1	--
9	PLANK 4	150 X 25 X 1.6 X 250	4	1.03
8	PLANK 3	150 X 25 X 1.6 X 300	8	1.3
7	PLANK 2	150 X 25 X 1.6 X 150	8	0.65
6	BOP PLATE 1	AS PER DIMENSION	4	0.03
5	PLANK 1	200 X 25 X 1.6 X 600	6	3.35
4	SHS FRAME 3	40 X 40 X 3 X 1000	2	2.55
3	SHS FRAME 2	40 X 40 X 3 X 450	4	1.54
2	SHS FRAME 1	40 X 40 X 2 X 100	2	0.24
1	RHS FRAME 1	40 X 40 X 3 X 380	4	1.28

This drawing is our property. It can't be reproduced or communicated without our written agreement.		APL APOLLO TUBES LTD. 	
DRAWN BY SB		DATE 24DEC2020	
CHECKED BY P2P Analysis & Solutions		DATE 24DEC2020	
DESIGNED BY P2P Analysis & Solutions		DATE 24DEC2020	
DRAWING TITLE DEC 20-16		SIZE A0	DRAWING NUMBER P2P DEC 20-16
SCALE As Indicated		WEIGHT (kg) 0kg	REV 00
		SHEET 1 OF 3	

UNLESS OTHERWISE SPECIFIED DIMENSION ARE IN MM
VIEWS: THIRD ANGLE PROJECTION



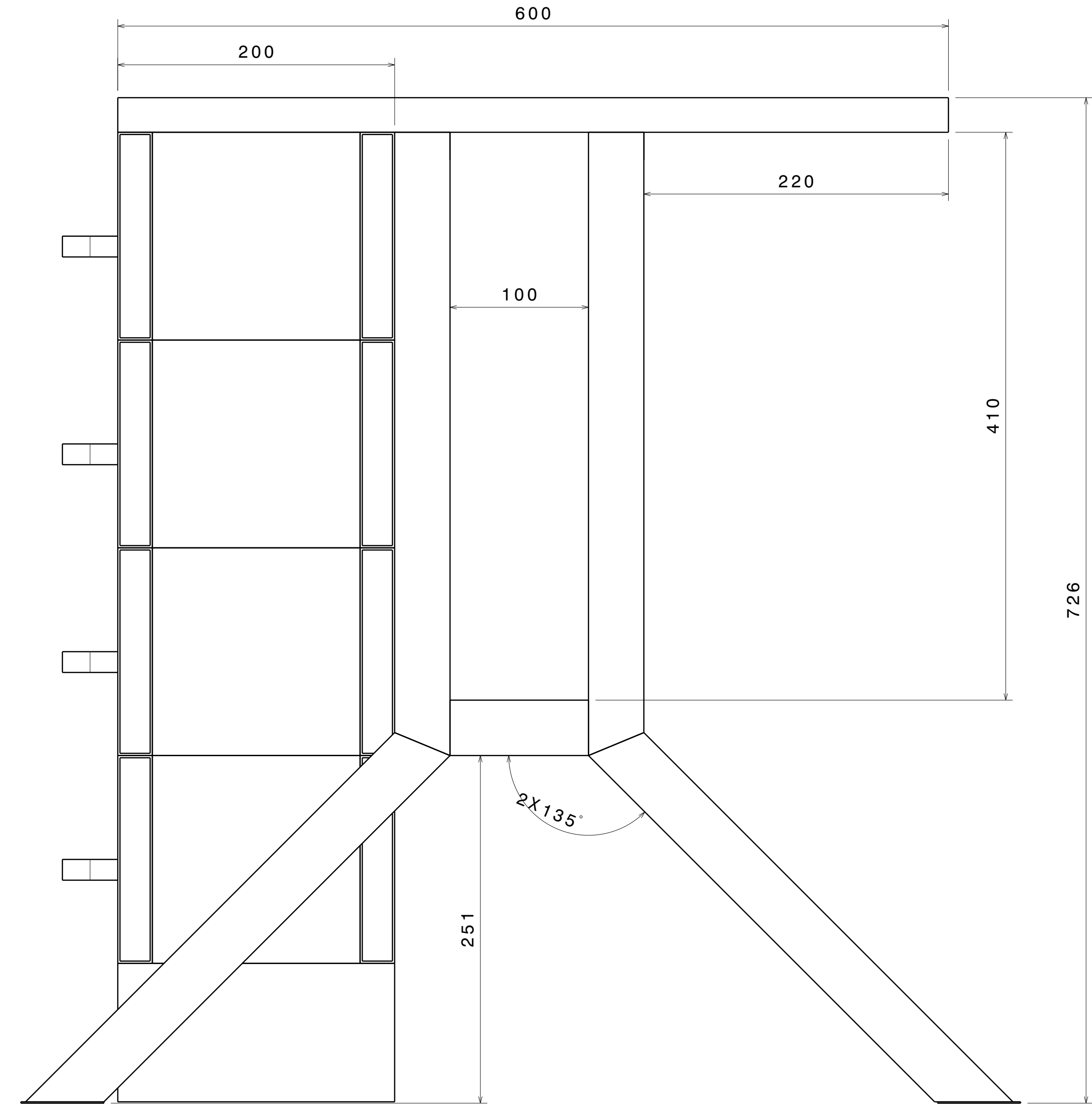
REV	DATE	DESCRIPTION
00	24DEC2020	INITIAL REVISION



Top view
Scale: 2:5



Front view



Right view
Scale: 2:5

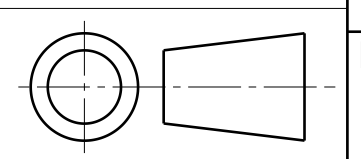
This drawing is our property. It can't be reproduced or communicated without our written agreement.

APL APOLLO TUBES LTD. 

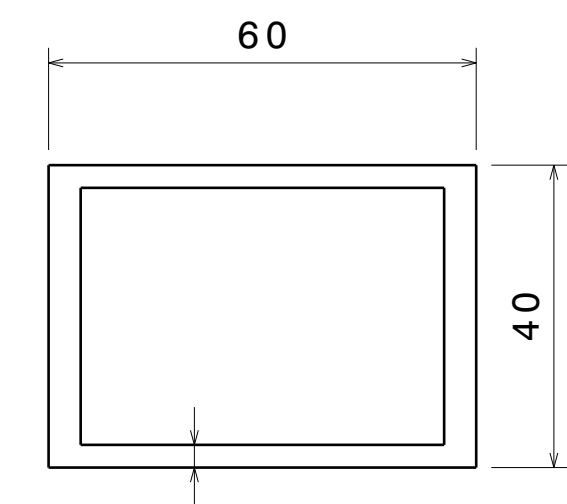
DRAWN BY	DATE
SB	24DEC2020
CHECKED BY	DATE
P2P Analysis & Solutions	24DEC2020
DESIGNED BY	DATE
P2P Analysis & Solutions	24DEC2020

DRAWING TITLE		REV
DEC 20-16		00
SIZE	DRAWING NUMBER	
A0	P2P DEC 20-16	
SCALE	WEIGHT (kg)	
NONE	XXX	
SHEET 2 OF 3		

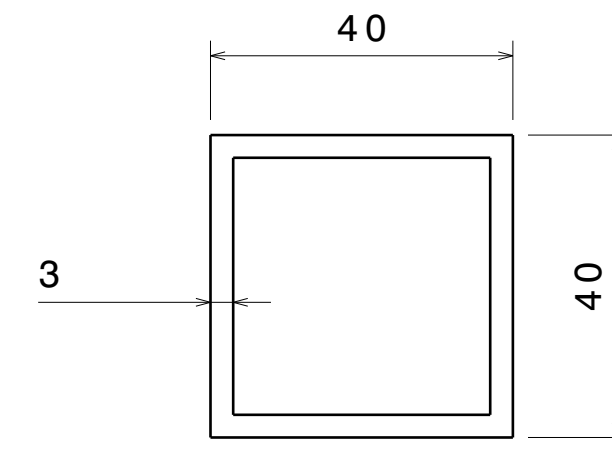
UNLESS OTHERWISE SPECIFIED DIMENSION ARE IN MM
VIEWS: THIRD ANGLE PROJECTION



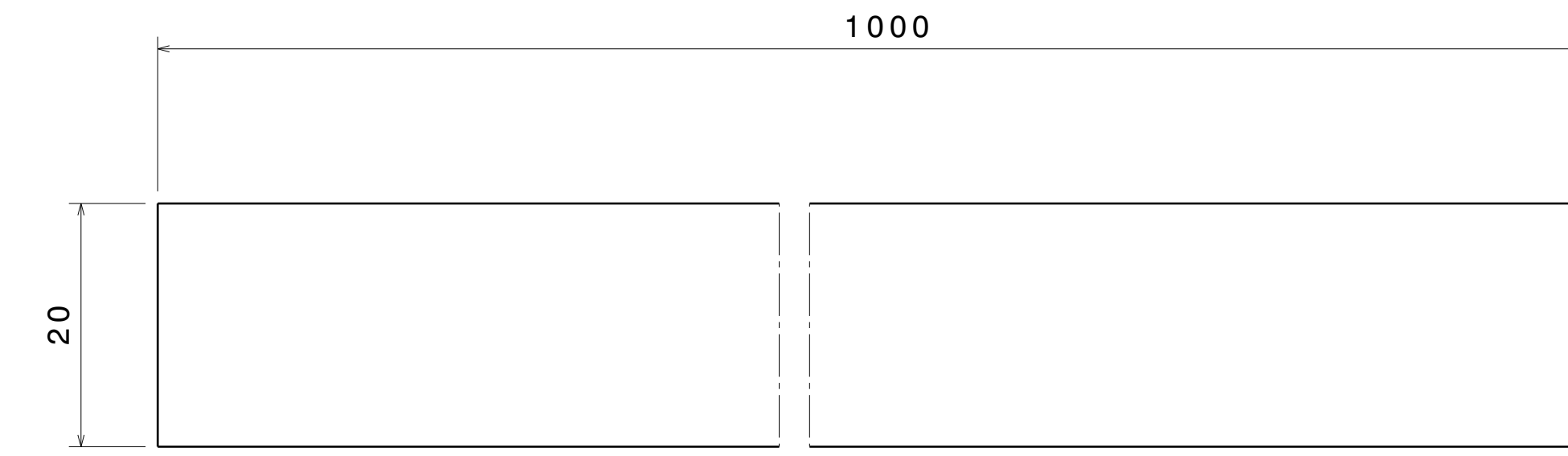
REV	DATE	DESCRIPTION
00	24DEC2020	INITIAL REVISION



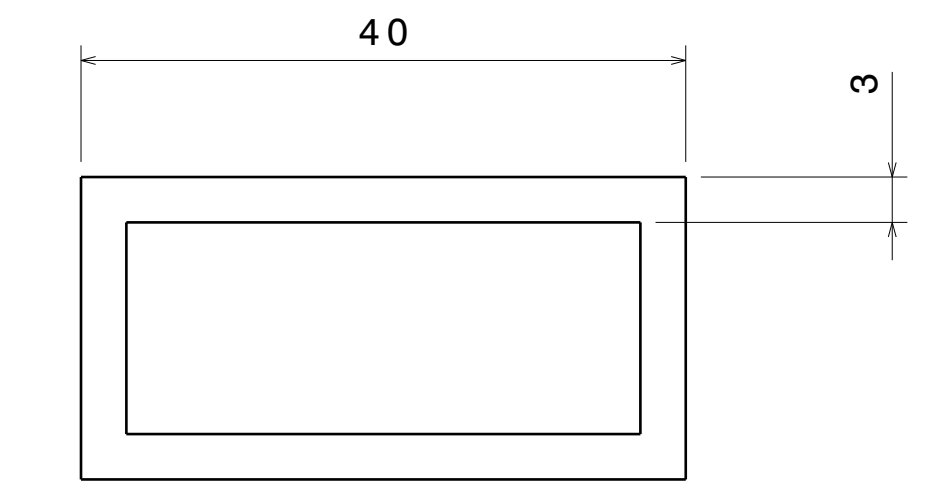
Top view
Scale: 1:1



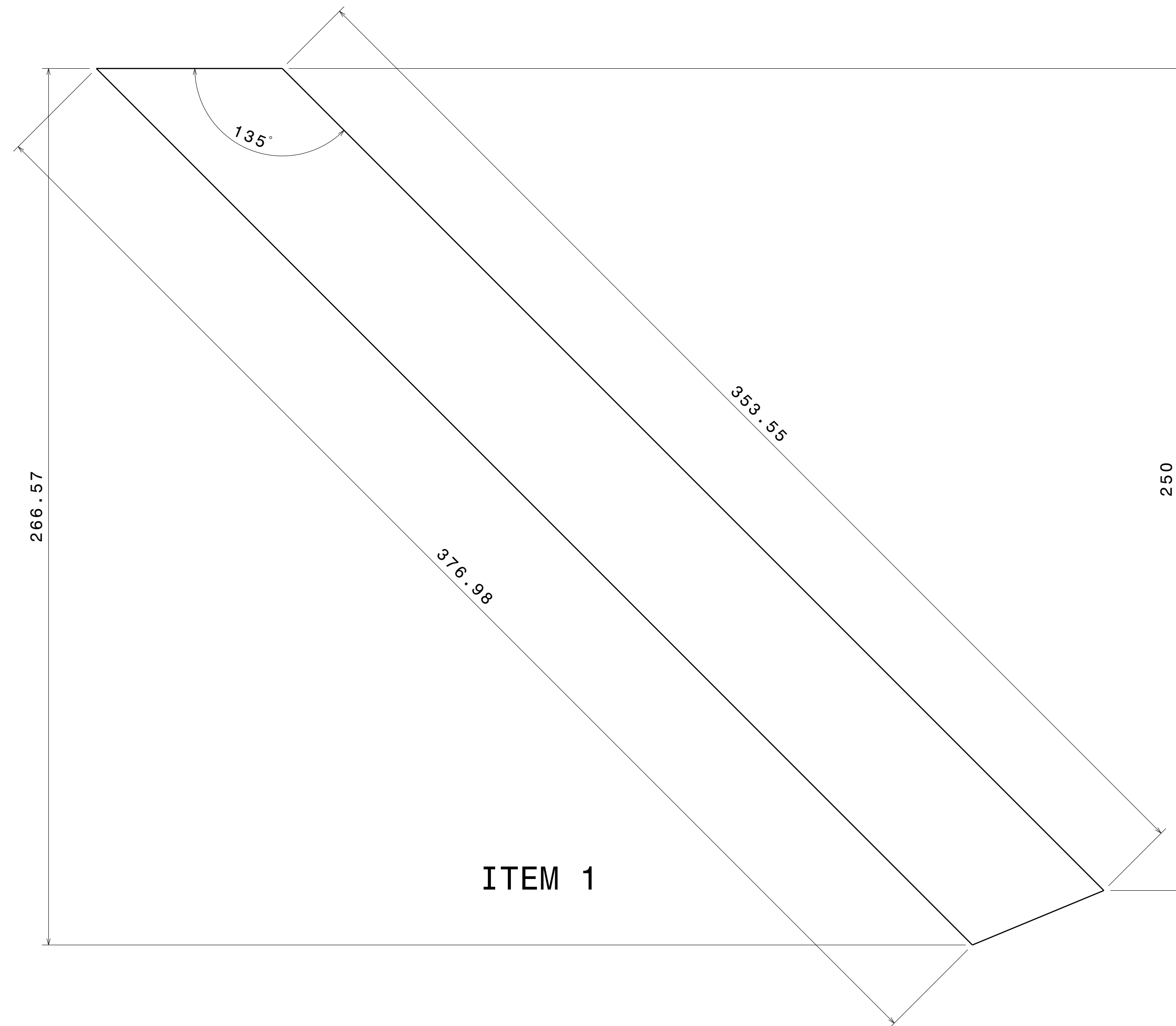
Top view
Scale: 1:1



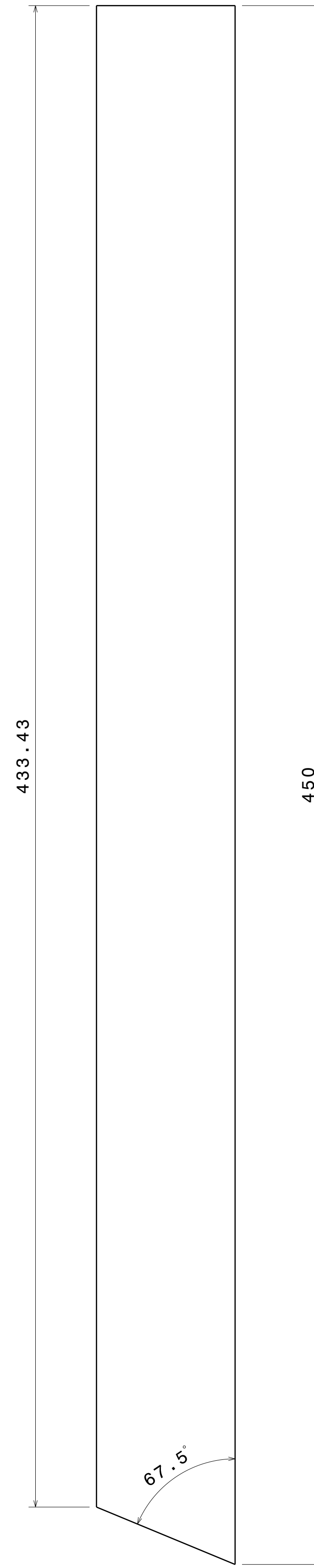
ITEM 4



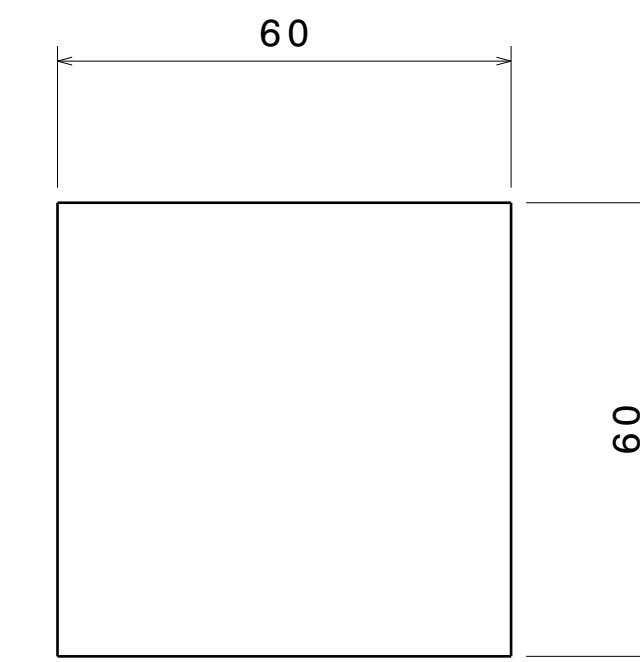
Right view
Scale: 2:1



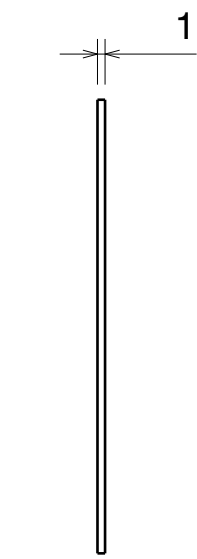
ITEM 1



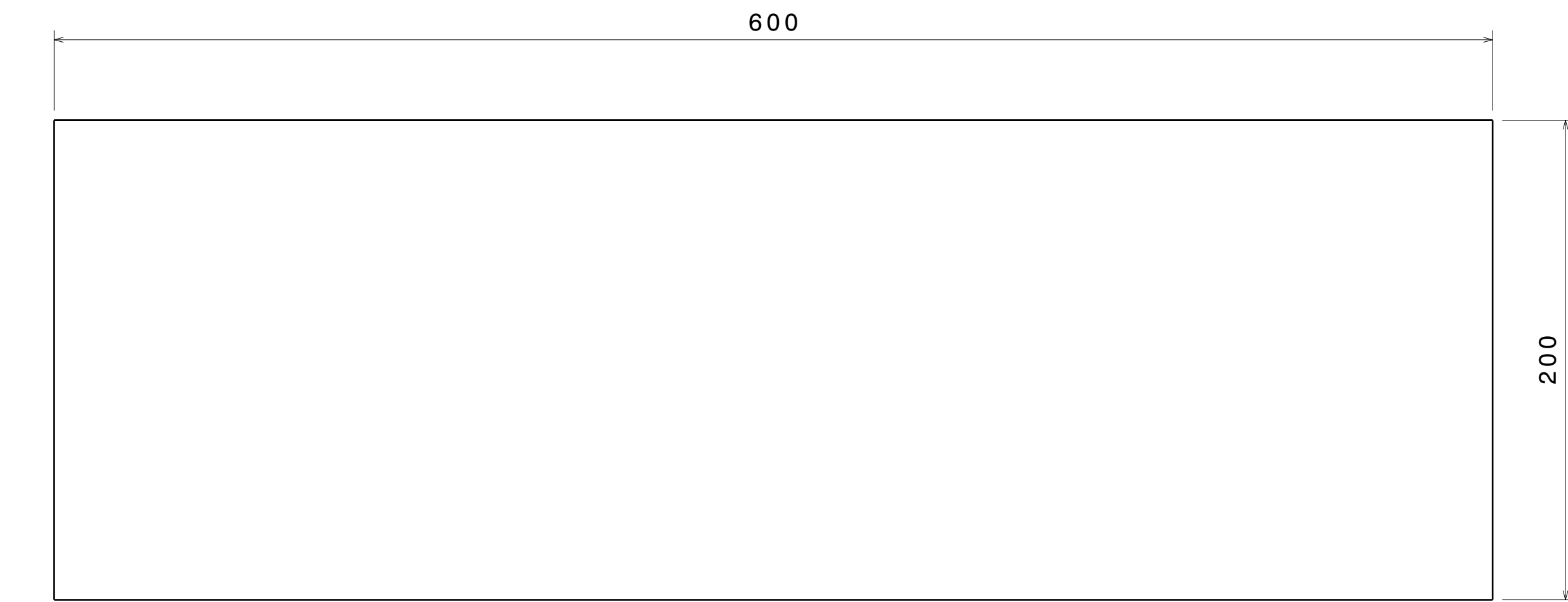
ITEM 3



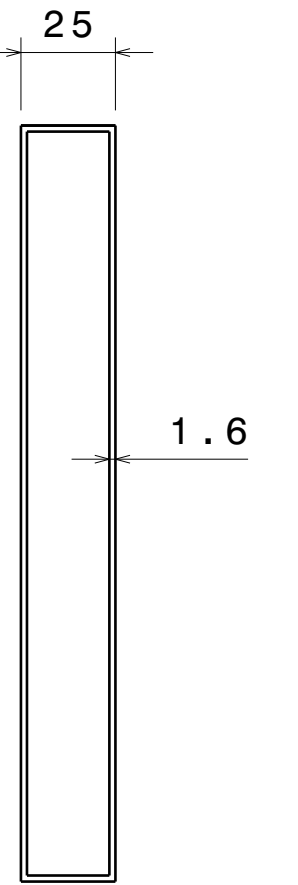
ITEM 6



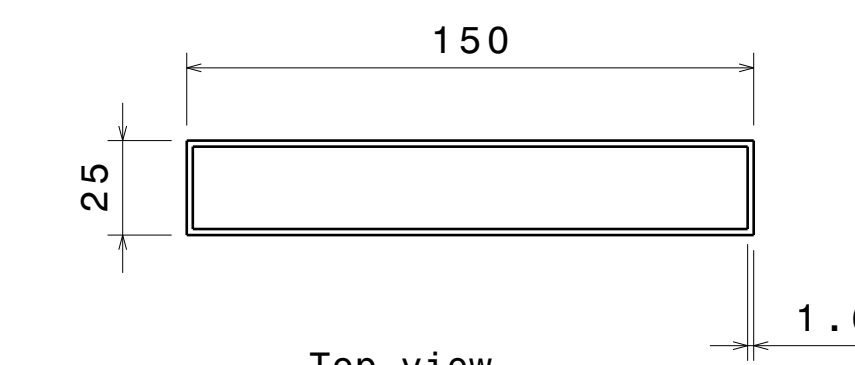
Right view
Scale: 1:1



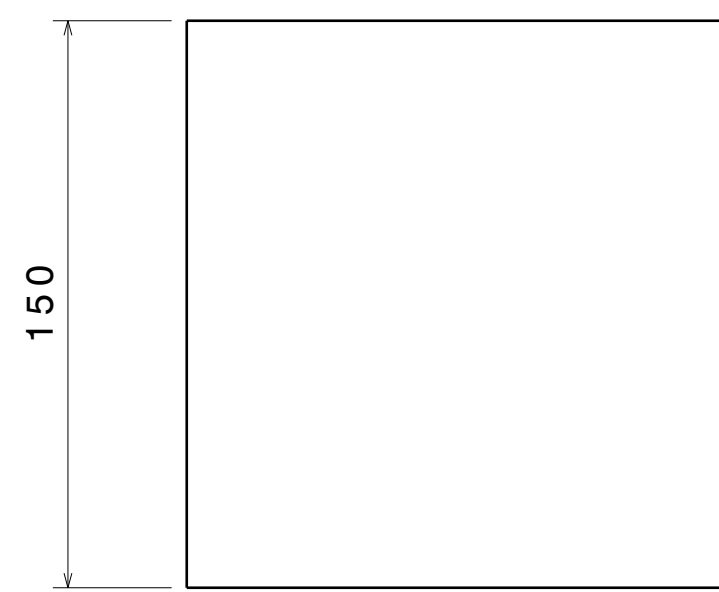
ITEM 5



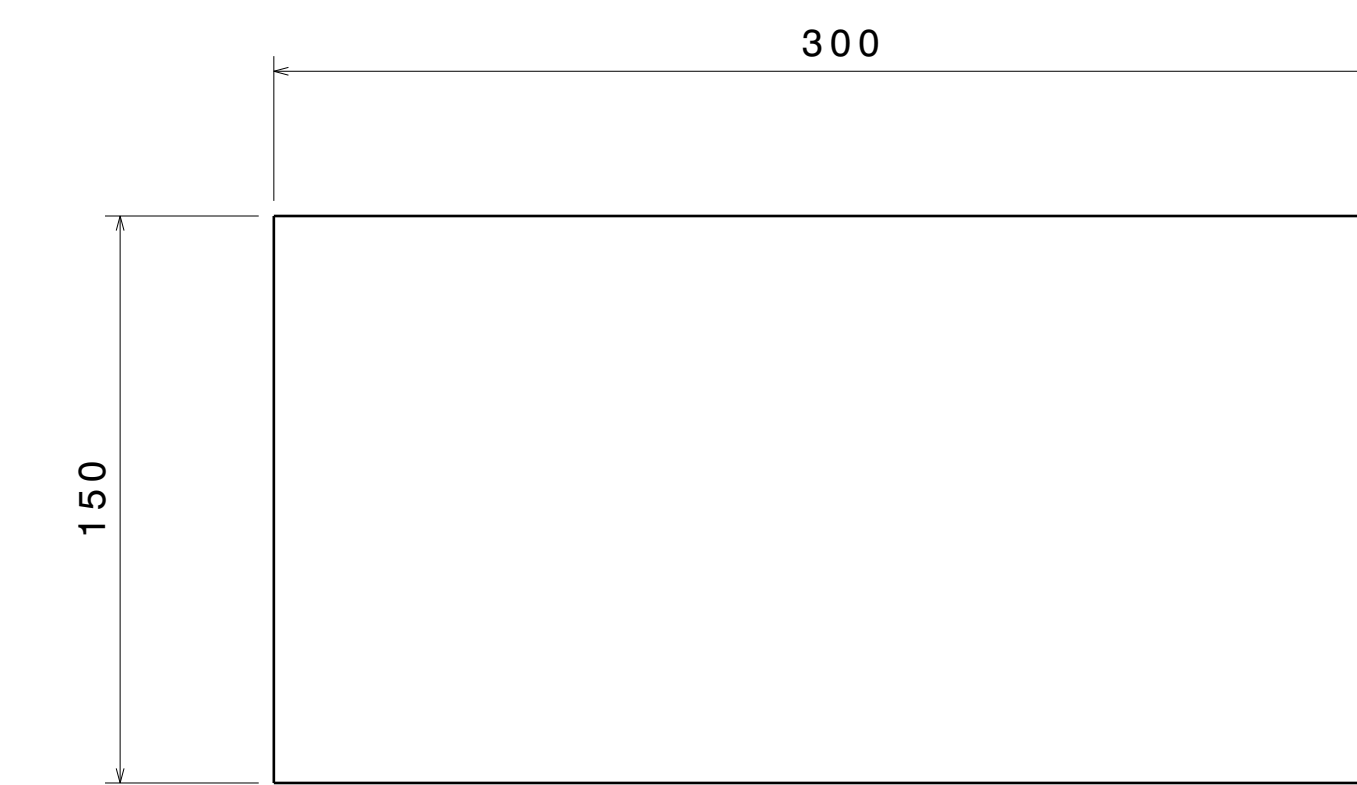
Right view
Scale: 1:2



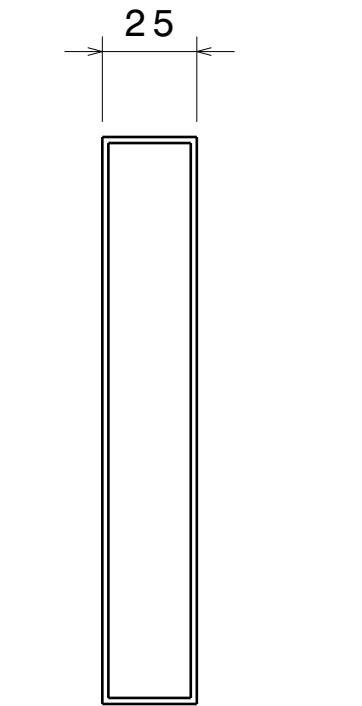
Top view
Scale: 1:2



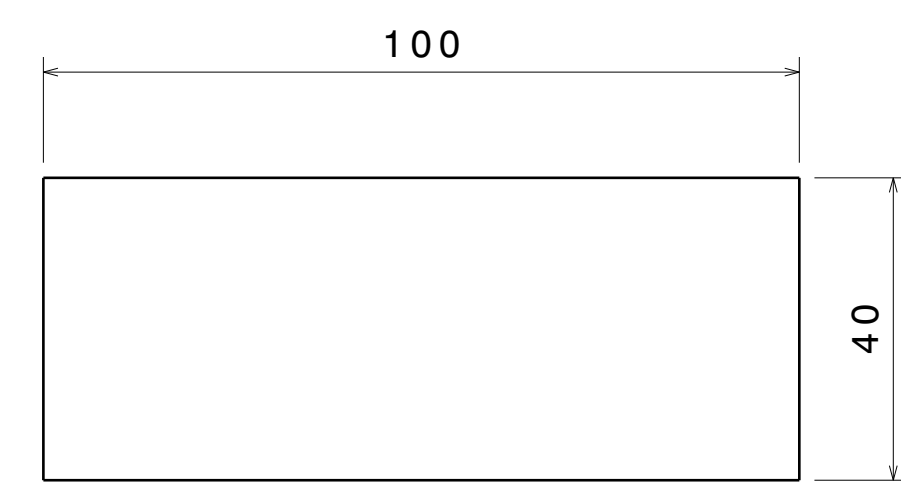
ITEM 7



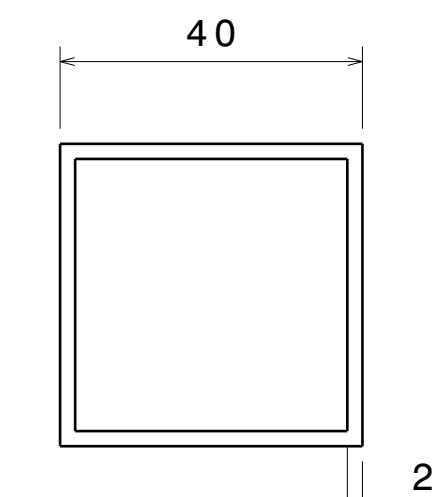
ITEM 8



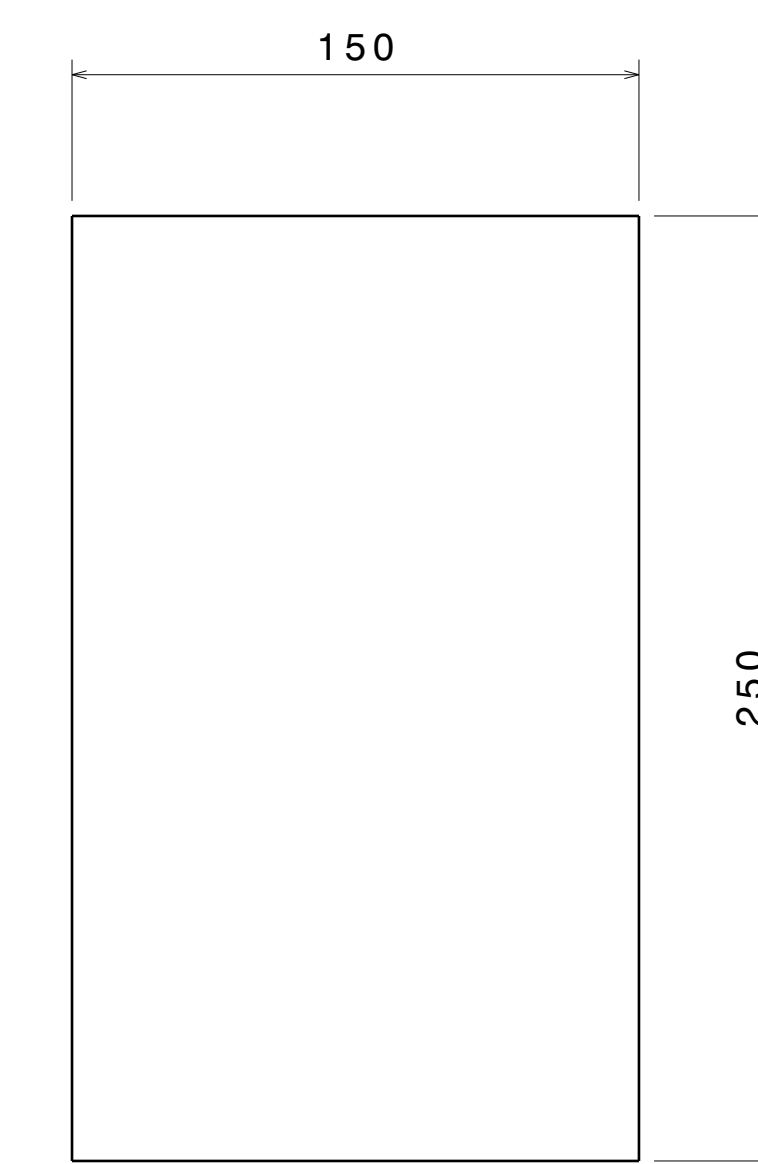
Right view
Scale: 1:2



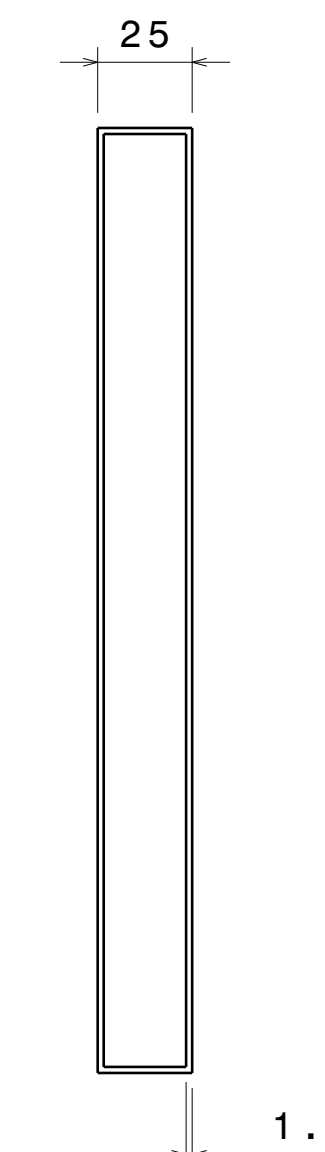
ITEM 2



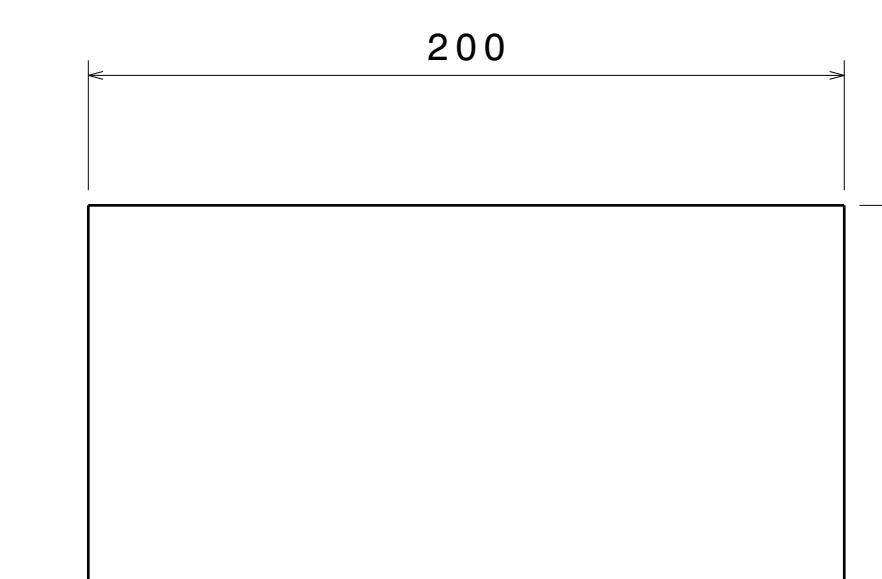
Right view
Scale: 1:1



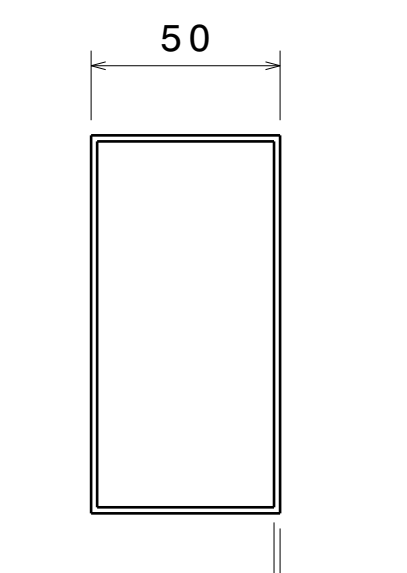
ITEM 9



Right view
Scale: 1:2



ITEM 11



Right view
Scale: 1:2

This drawing is our property. It can't be reproduced or communicated without our written agreement.

APL APOLLO TUBES LTD. 

DRAWN BY	DATE
SB	24DEC2020
CHECKED BY	DATE
P2P Analysis & Solutions	24DEC2020
DESIGNED BY	DATE
P2P Analysis & Solutions	24DEC2020

DRAWING TITLE		DEC 20-16	
SIZE	DRAWING NUMBER	REV	
A0	P2P DEC 20-16	00	
SCALE	NONE	WEIGHT (kg)	XXX
			SHEET 3 OF 3

UNLESS OTHERWISE SPECIFIED DIMENSION ARE IN MM VIEWS: THIRD ANGLE PROJECTION

