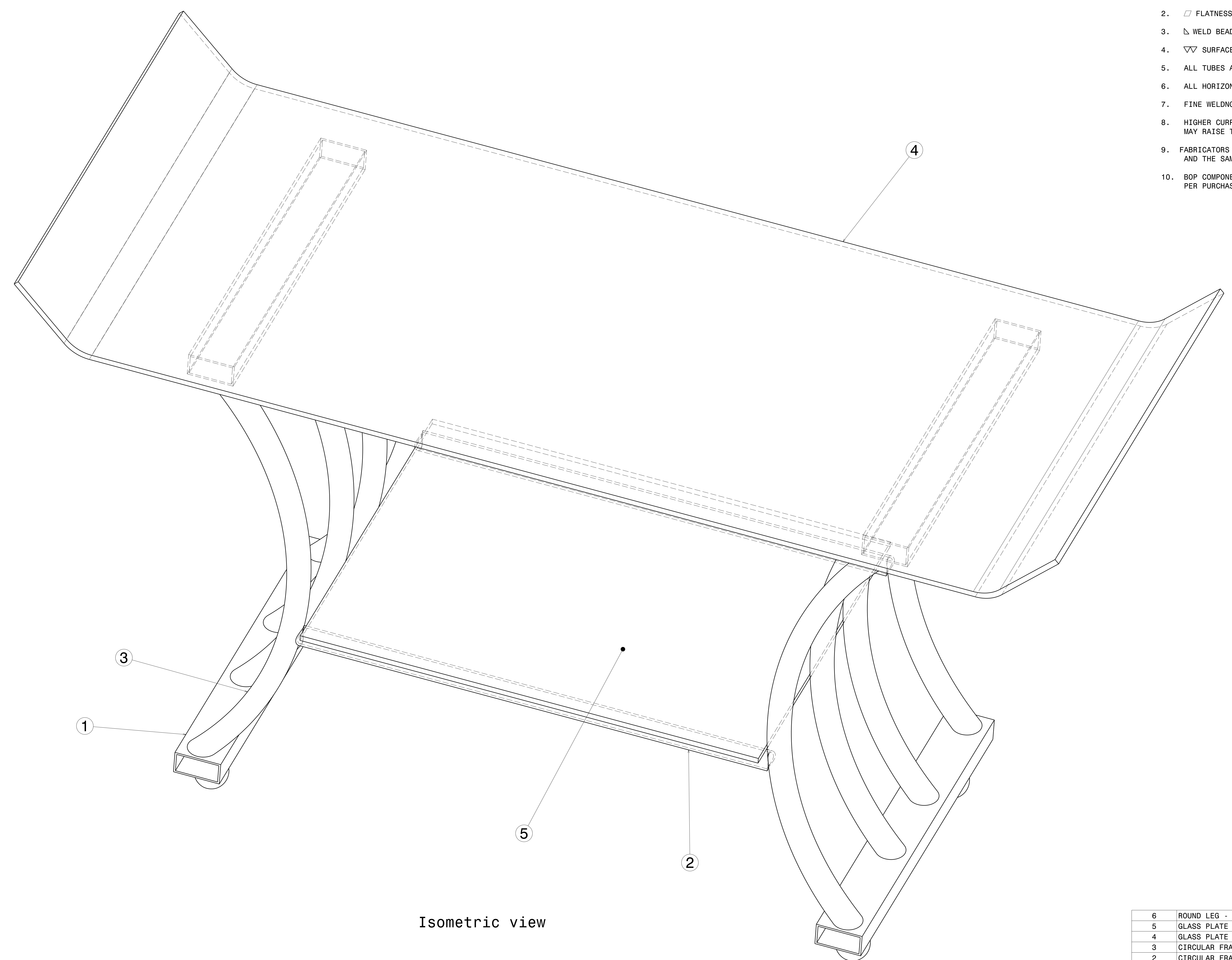



REV/DATE	DESCRIPTION
00 24DEC2020	INITIAL REVISION

- NOTES:
- (⊥) ALL VERTICAL SUPPORTS ARE PERPENDICULAR.
 - FLATNESS OF .5MM IS APPLIED BY DEFAULT.
 - ⊞ WELD BEAD OF 2MM RADIUS IS FOLLOWED.
 - ▽▽ SURFACE FINISH MEDIUM TO SMOOTH IS USED.
 - ALL TUBES ARE AS PER APL APOLLO STANDARD. CHANGES MAY EFFECT THE LOAD CAPACITY.
 - ALL HORIZONTAL AND VERTICAL TUBES ARE PERPENDICULAR TO EACH OTHER WITH ±1 DEG.
 - FINE WELDING IS REQUIRED AS PER MENTIONED DETAILS AND FINISHING.
 - HIGHER CURRENT WELDING MAY AFFECT THE BRITTLENESS OF MATERIAL WHICH LATER MAY RAISE TO WEAKENING OF STRUCTURE.
 - FABRICATORS ARE ALLOWED TO USE FITTINGS/FRAMES/SUPPORTS AS NEEDED AND THE SAME MUST BE COMMUNICATED BACK TO ENGINEERING TEAM.
 - BOP COMPONENT WEIGHTS ARE FOR REFERENCE ONLY AND SUBJECTED TO CHANGE PER PURCHASED COMPONENTS.

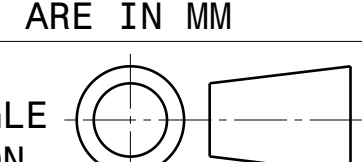


Isometric view

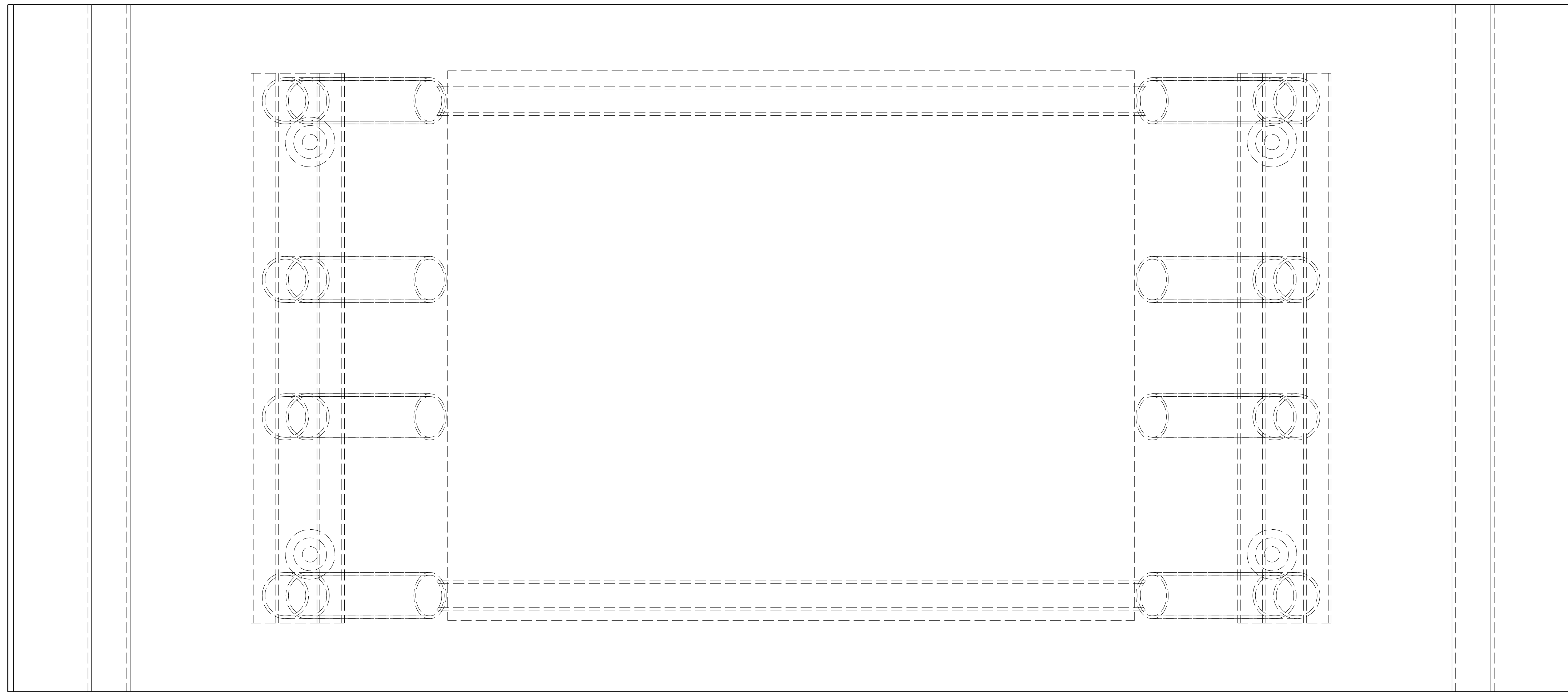
ITEM NO.	PART NUMBER	DESCRIPTION	QTY.	Wt (Kg)/Each
6	ROUND LEG - BOP	AS AVAILABLE	4	0.02
5	GLASS PLATE 1 - BOP	AS AVAILABLE	1	--
4	GLASS PLATE 1 - BOP	AS AVAILABLE	1	--
3	CIRCULAR FRAME 2	DIA 33.7 X 2 X 520	8	0.93
2	CIRCULAR FRAME 1	DIA 21.3 X 2 X 520	2	0.49
1	RHS FRAME 1	50 X 25 X 2 X 400	4	0.90

This drawing is our property. It can't be reproduced or communicated without our written agreement.		APL APOLLO TUBES LTD. 	
DRAWN BY SB		DATE 24DEC2020	
CHECKED BY P2P Analysis & Solutions		DATE 24DEC2020	
DESIGNED BY P2P Analysis & Solutions		DATE 24DEC2020	
DRAWING TITLE DEC 20-17		SIZE A0	DRAWING NUMBER P2P DEC 20-17
SCALE As Indicated		WEIGHT(kg) 0kg	REV 00
		SHEET 1 OF 3	

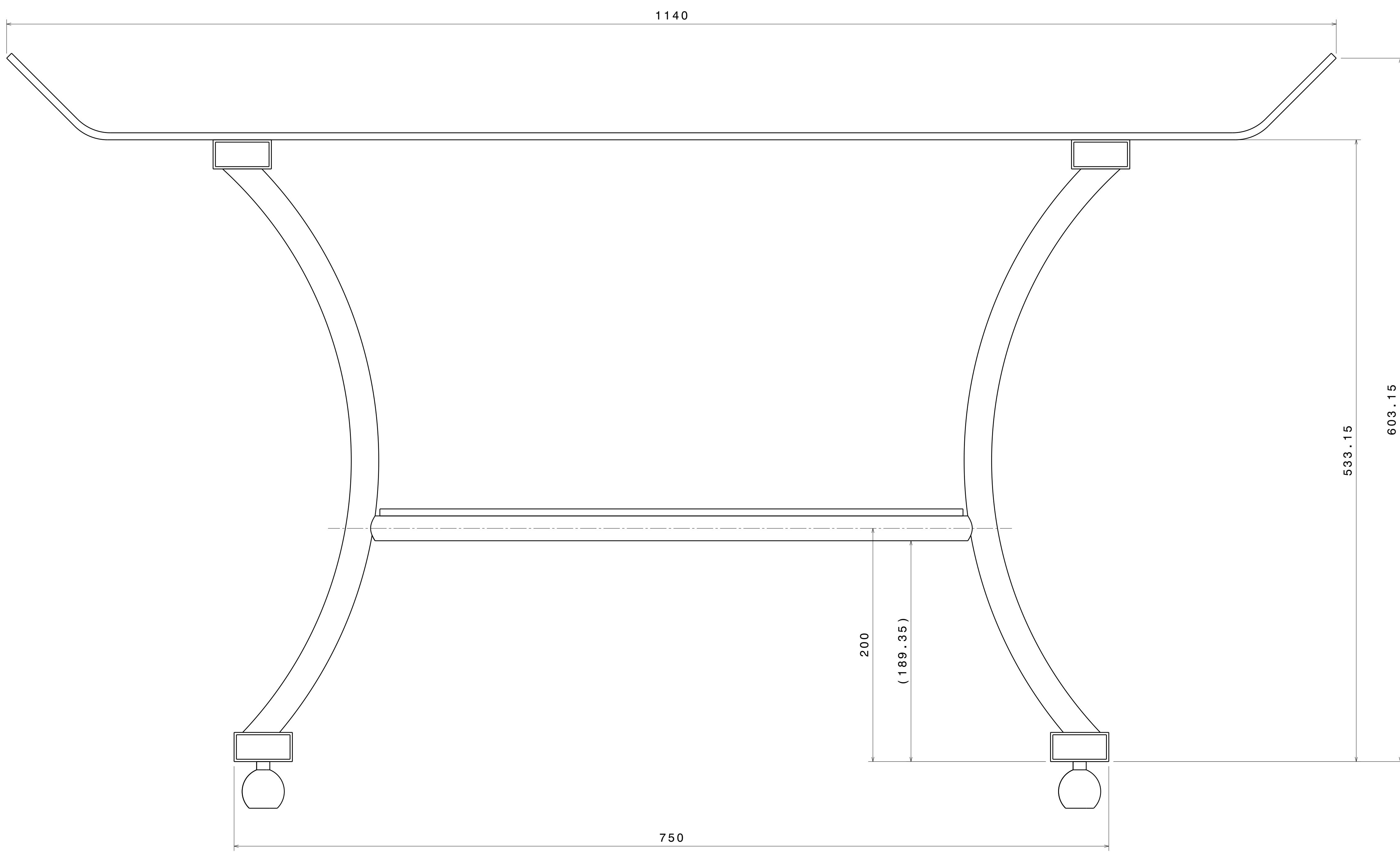
UNLESS OTHERWISE SPECIFIED DIMENSION ARE IN MM VIEWS: THIRD ANGLE PROJECTION



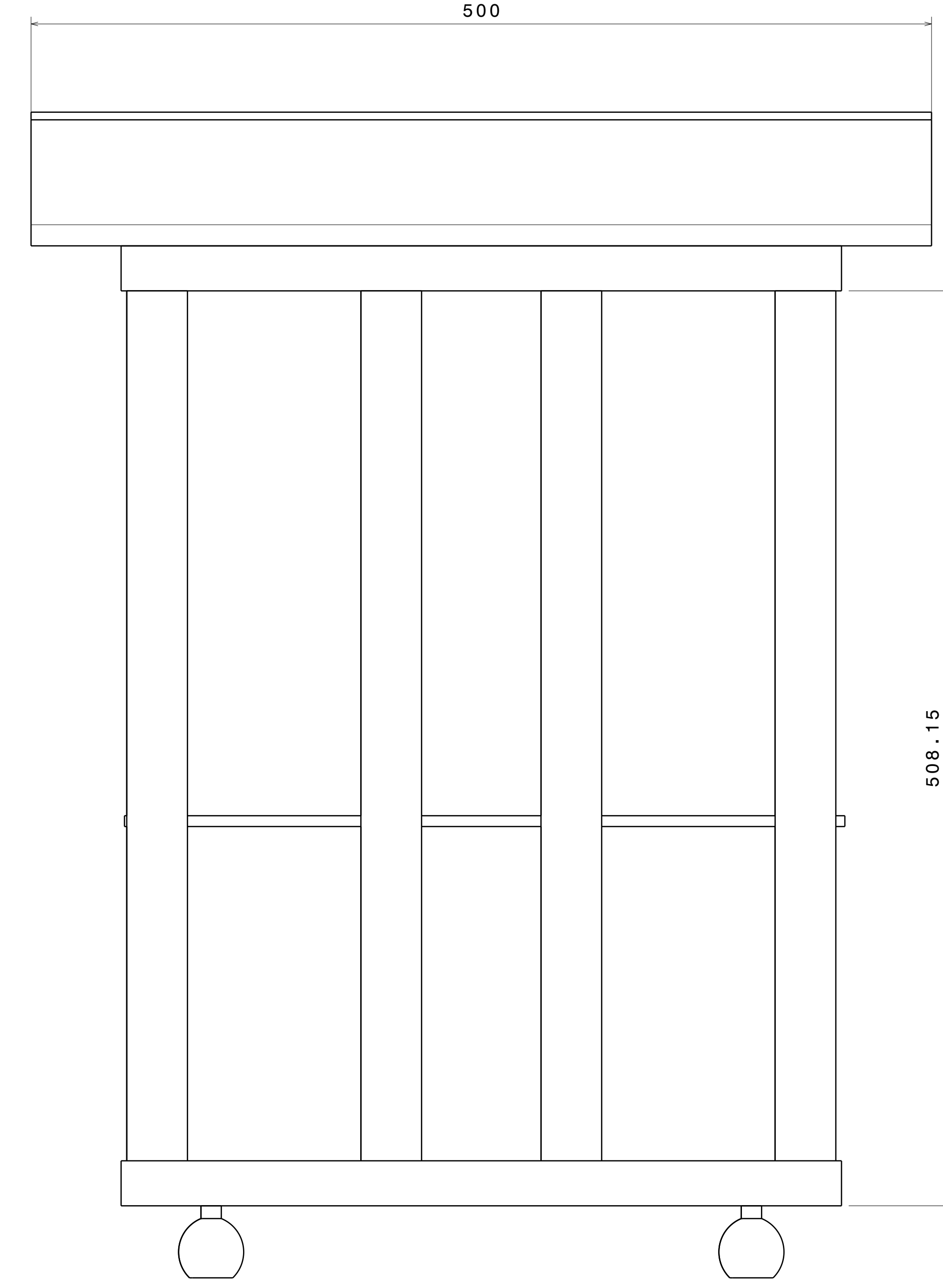
REV	DATE	DESCRIPTION
00	24DEC2020	INITIAL REVISION



Top view
Scale: 1:2

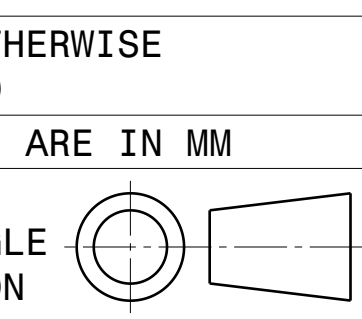


Front view
Scale: 1:2



Right view
Scale: 1:2

UNLESS OTHERWISE SPECIFIED DIMENSION ARE IN MM
VIEWS: THIRD ANGLE PROJECTION

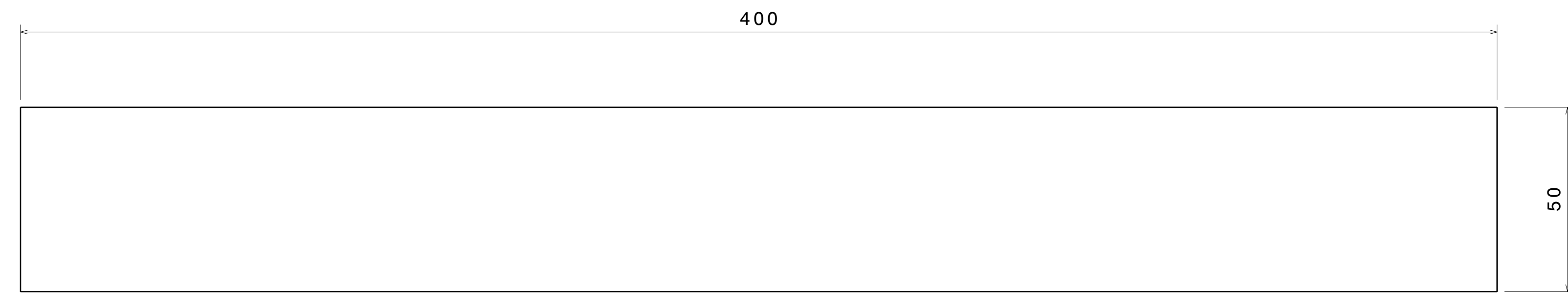


This drawing is our property. It can't be reproduced or communicated without our written agreement.

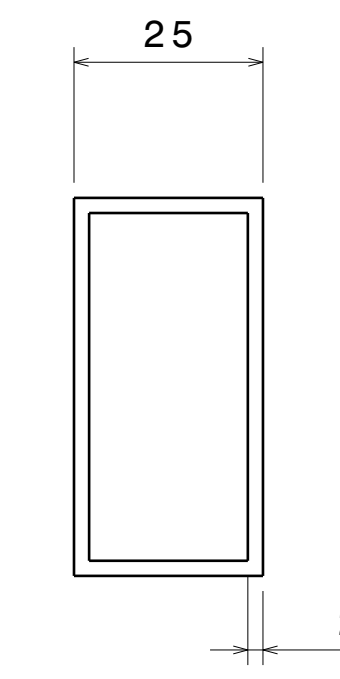
DRAWN BY		DATE	DRAWING TITLE	
SB		24DEC2020	DEC 20-17	
CHECKED BY	P2P Analysis & Solutions	DATE	SIZE	DRAWING NUMBER
		24DEC2020	A0	P2P DEC 20-17
DESIGNED BY	P2P Analysis & Solutions	DATE	SCALE	NONE
		24DEC2020	WEIGHT (kg)	XXX
			REV	00
			SHEET 2 OF 3	



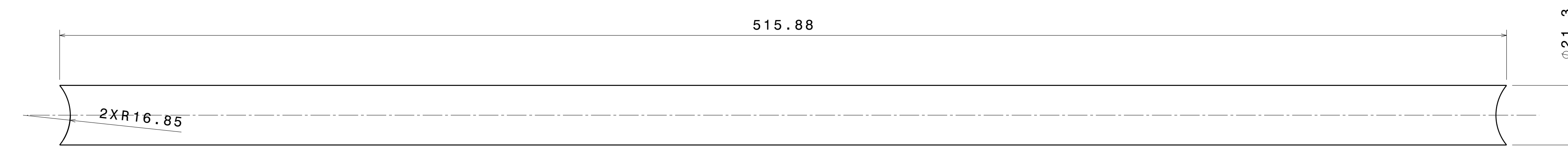
REV	DATE	DESCRIPTION
00	24DEC2020	INITIAL REVISION



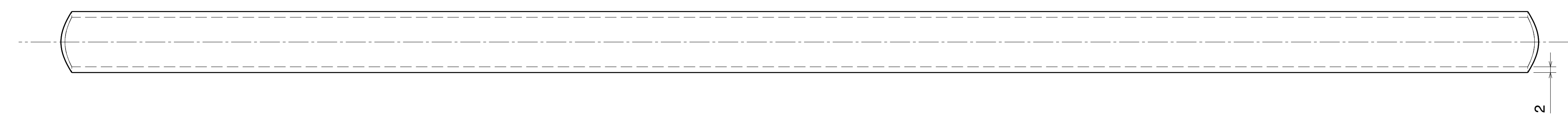
ITEM 1



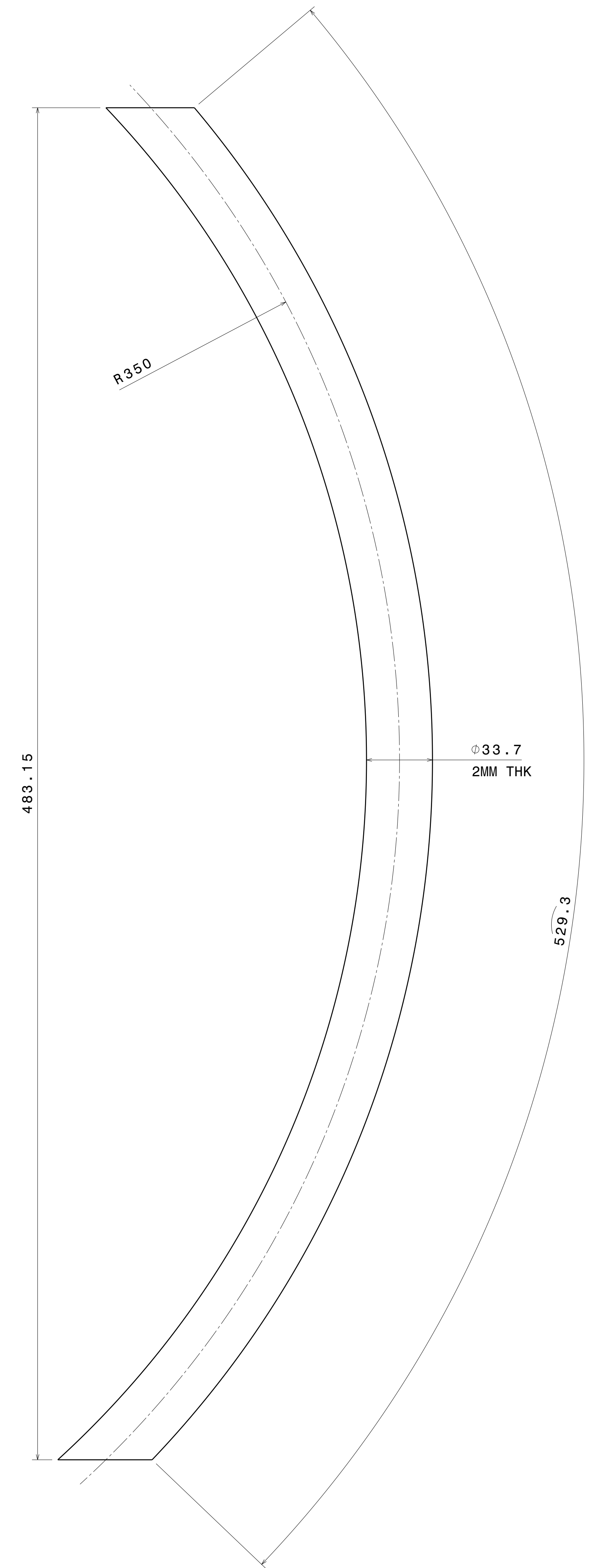
Right view
Scale: 1:1



Top view
Scale: 1:1



ITEM 2



ITEM 3

UNLESS OTHERWISE SPECIFIED DIMENSION ARE IN MM
VIEWS: THIRD ANGLE PROJECTION

This drawing is our property. It can't be reproduced or communicated without our written agreement.		APL APOLLO TUBES LTD.	
DRAWN BY SB		DATE 24DEC2020	
CHECKED BY P2P Analysis & Solutions		DATE 24DEC2020	
DESIGNED BY P2P Analysis & Solutions		DATE 24DEC2020	
DRAWING TITLE DEC 20-17		SIZE A0	DRAWING NUMBER P2P DEC 20-17
SCALE NONE		WEIGHT (kg) XXX	REV 00
		SHEET 3 OF 3	