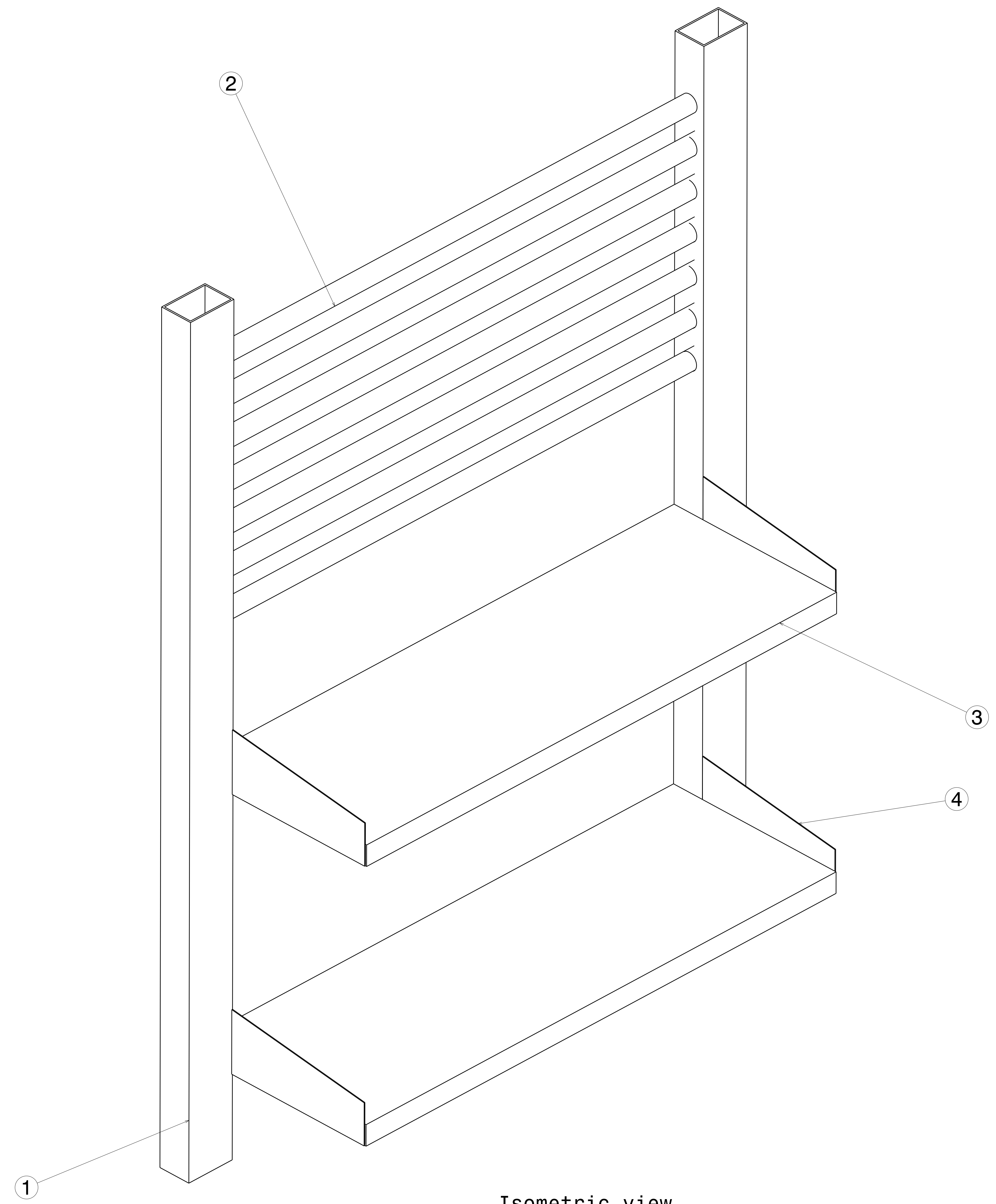



REV/DATE	DESCRIPTION
00 / 23DEC2020	INITIAL REVISION

- NOTES:
1. (⊥) ALL VERTICAL SUPPORTS ARE PERPENDICULAR.
  2. □ FLATNESS OF .5MM IS APPLIED BY DEFAULT.
  3. ⚡ WELD BEAD OF 2MM RADIUS IS FOLLOWED.
  4. ∇ SURFACE FINISH MEDIUM TO SMOOTH IS USED.
  5. ALL TUBES ARE AS PER APL APOLLO STANDARD. CHANGES MAY EFFECT THE LOAD CAPACITY.
  6. ALL HORIZONTAL AND VERTICAL TUBES ARE PERPENDICULAR TO EACH OTHER WITH ±1 DEG.
  7. FINE WELDNG IS REQUIRED AS PER MENTIONED DETAILS AND FINISHING.
  8. HIGHER CURRENT WELDING MAY AFFECT THE BRITTLNESS OF MATERIAL WHICH LATER MAY RAISE TO WEAKENING OF STRUCTURE.
  9. FABRICATORS ARE ALLOWED TO USE FITTINGS/FRAMES/SUPPORTS AS NEEDED AND THE SAME MUST BE COMMUNICATED BACK TO ENGINEERING TEAM.
  10. BOP COMPONENT WEIGHTS ARE FOR REFERENCE ONLY AND SUBJECTED TO CHANGE PER PURCHASED COMPONENTS.

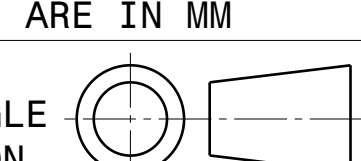


Isometric view  
Scale: 1:2

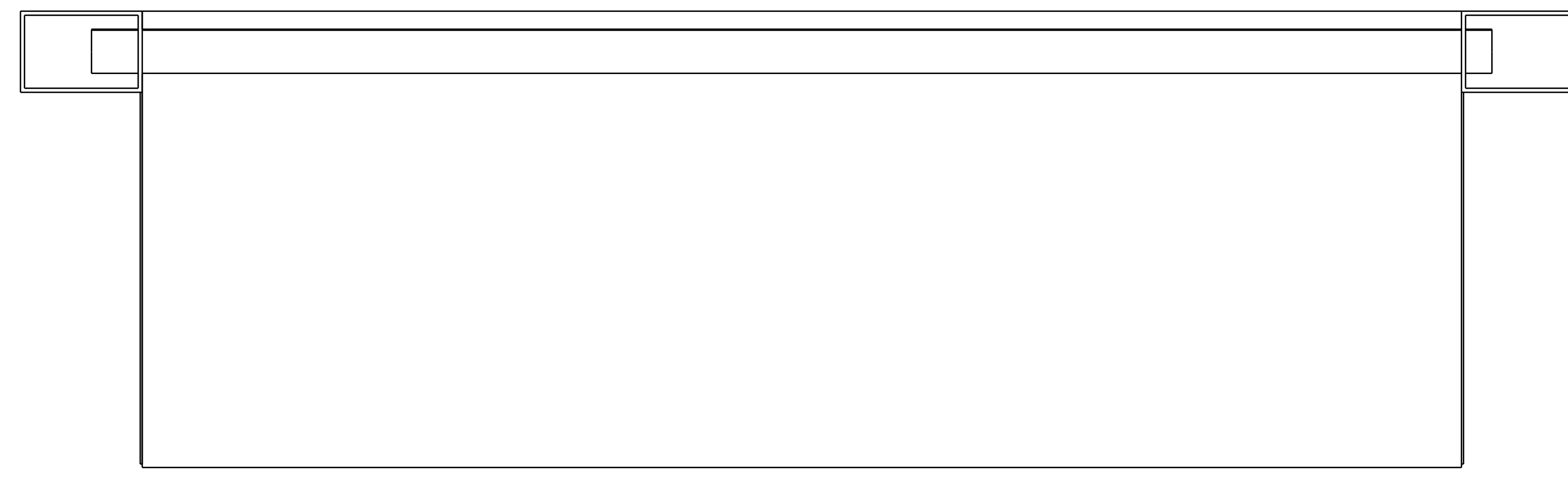
ITEM NO.	PART NUMBER	DESCRIPTION	QTY.	Wt (kg) /Each
4	PLATE BOP-1	AS PER DIMENSION	4	0.09
3	PLANK 1	225 X 25 X 1.6 X 650	2	4.04
2	CIRCULAR FRAME 1	DIA 21.3 X 1.6 X 690	7	0.54
1	RHS FRAME 1	60 X 40 X 2 X 1000	2	2.98

This drawing is our property. It can't be reproduced or communicated without our written agreement.		APL APOLLO TUBES LTD. 	
DRAWN BY SB		DATE 23DEC2020	
CHECKED BY P2P Analysis & Solutions		DATE 23DEC2020	
DESIGNED BY P2P Analysis & Solutions		DATE 23DEC2020	
DRAWING TITLE DEC 20-18		SIZE A0	DRAWING NUMBER P2P DEC 20-18
SCALE As Indicated		WEIGHT (kg) 0kg	REV 00
		SHEET 1 OF 3	

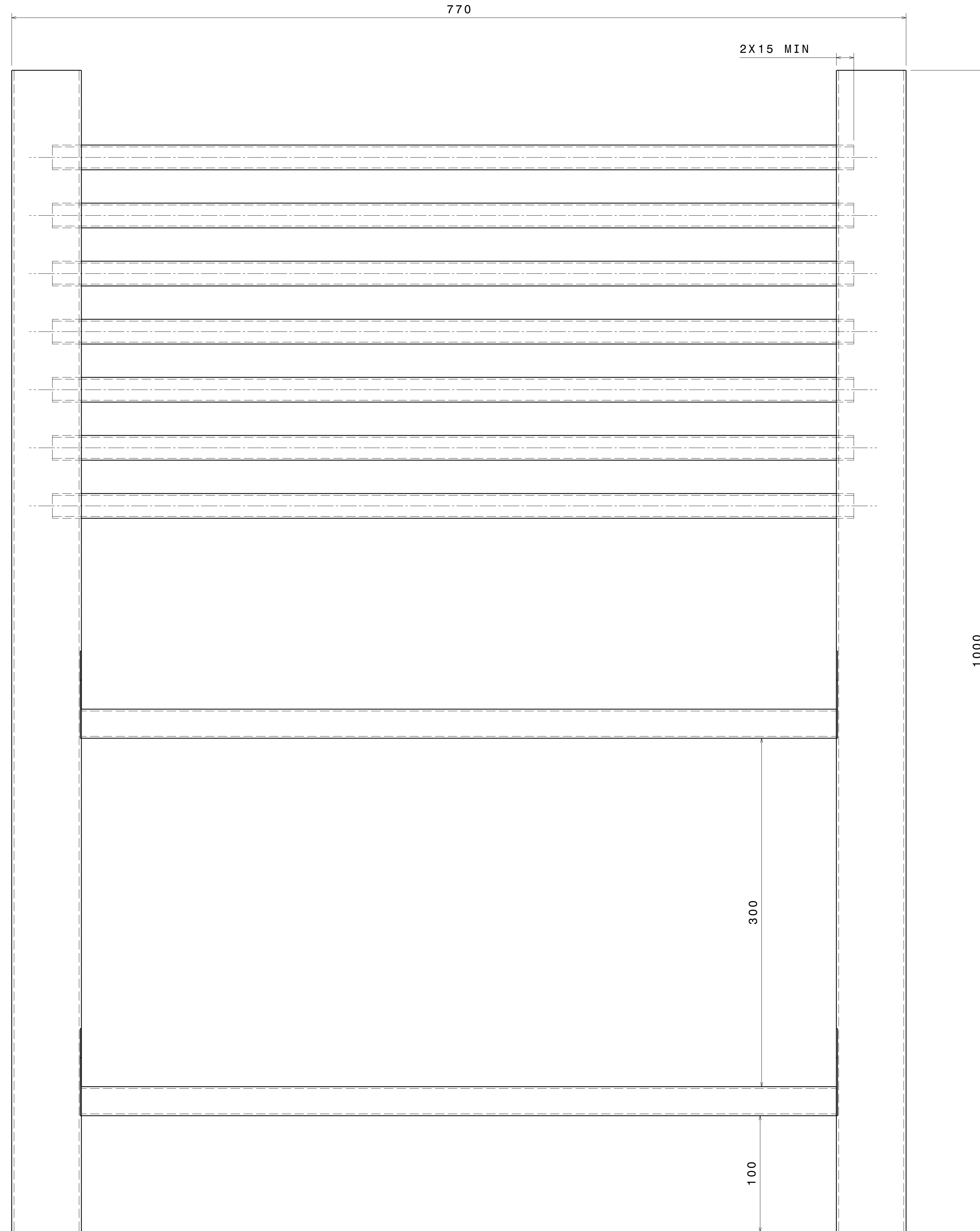
UNLESS OTHERWISE SPECIFIED DIMENSION ARE IN MM  
VIEWS: THIRD ANGLE PROJECTION



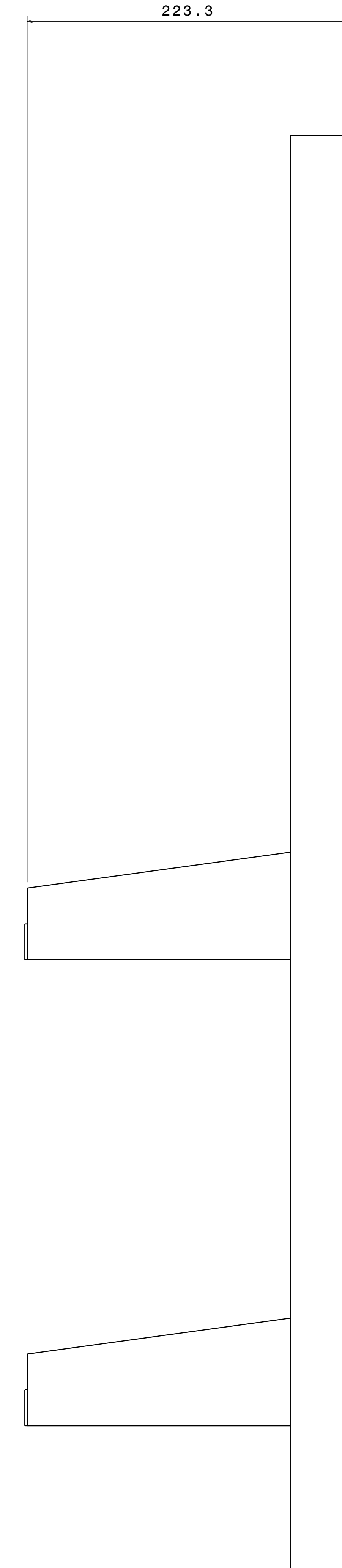
REV	DATE	DESCRIPTION
00	23DEC2020	INITIAL REVISION



Top view  
Scale: 1:2

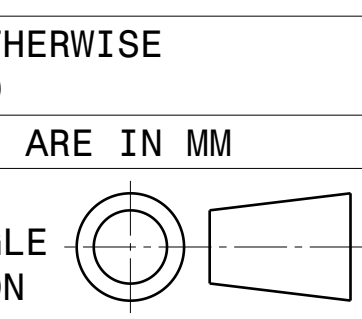



Front view  
Scale: 1:2



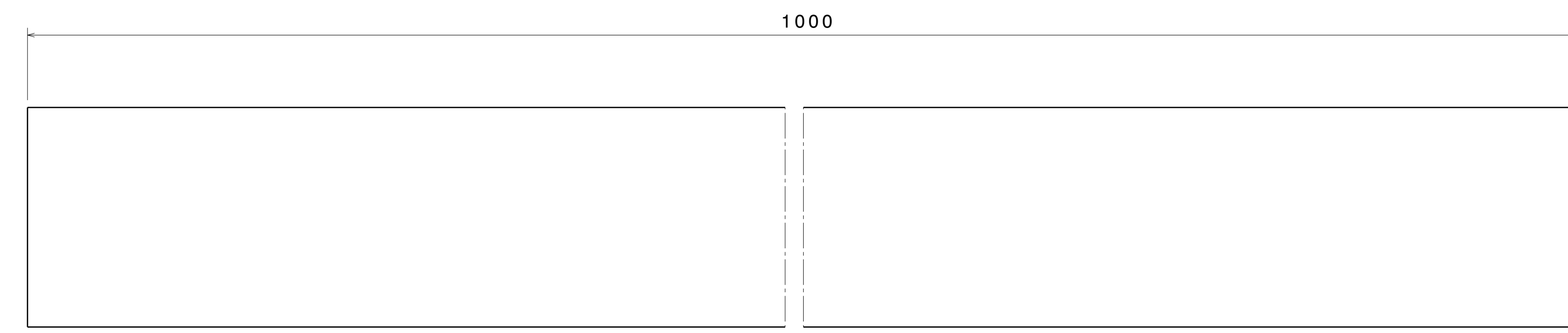
Right view  
Scale: 1:2

UNLESS OTHERWISE SPECIFIED DIMENSION ARE IN MM  
VIEWS: THIRD ANGLE PROJECTION

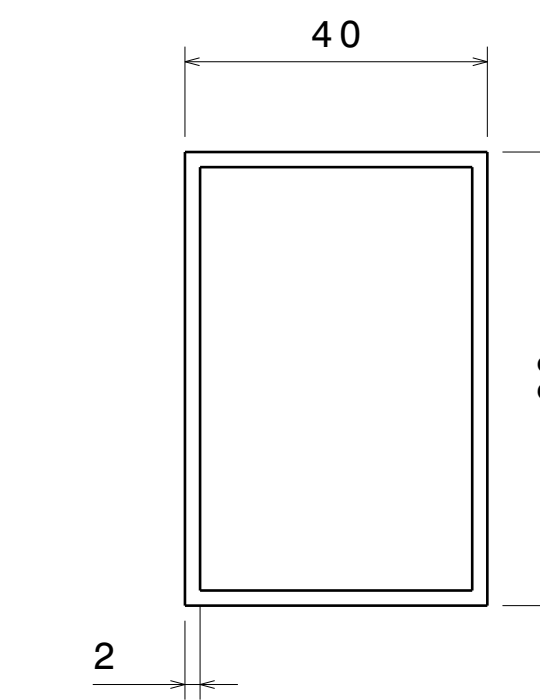


This drawing is our property. It can't be reproduced or communicated without our written agreement.		APL APOLLO TUBES LTD. 	
DRAWN BY SB		DATE 23DEC2020	
CHECKED BY P2P Analysis & Solutions		DATE 23DEC2020	
DESIGNED BY P2P Analysis & Solutions		DATE 23DEC2020	
SIZE A0	DRAWING NUMBER P2P DEC 20-18		REV 00
SCALE NONE	WEIGHT (kg)	XXX	SHEET 2 OF 3

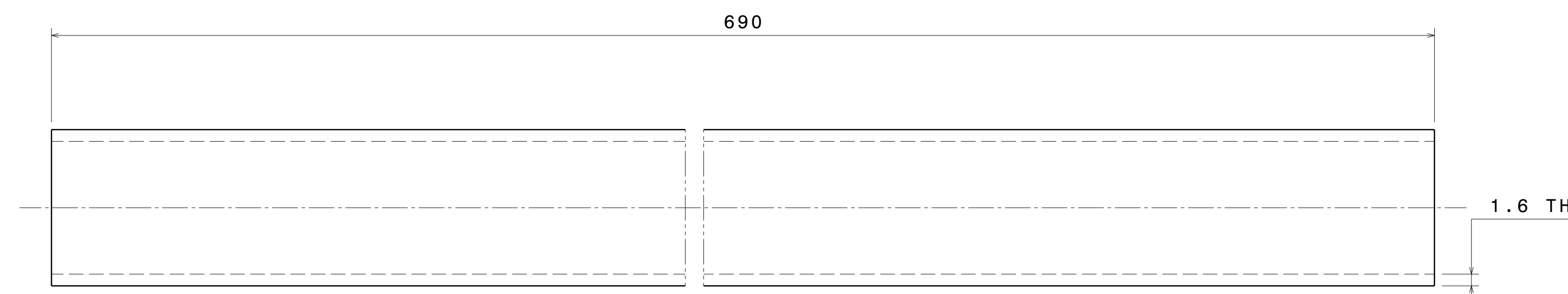
REV	DATE	DESCRIPTION
00	23DEC2020	INITIAL REVISION



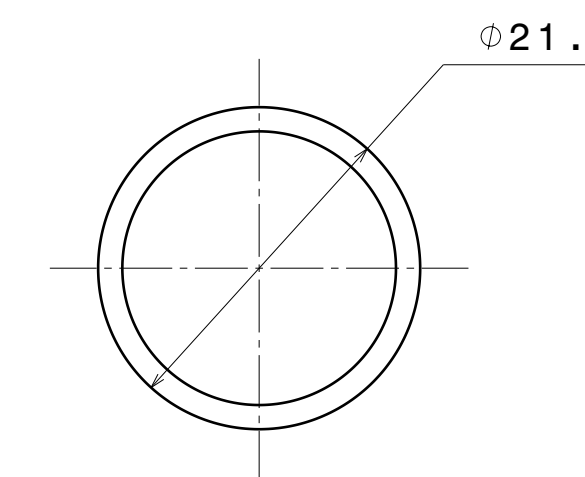
ITEM 1



Right view  
Scale: 1:1



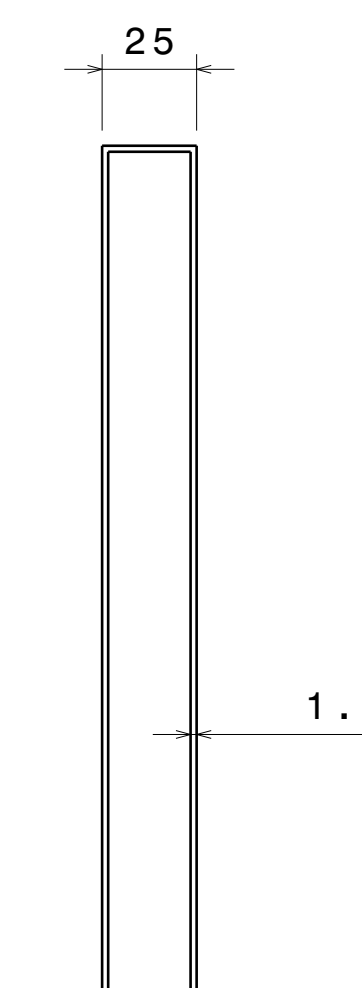
ITEM 2



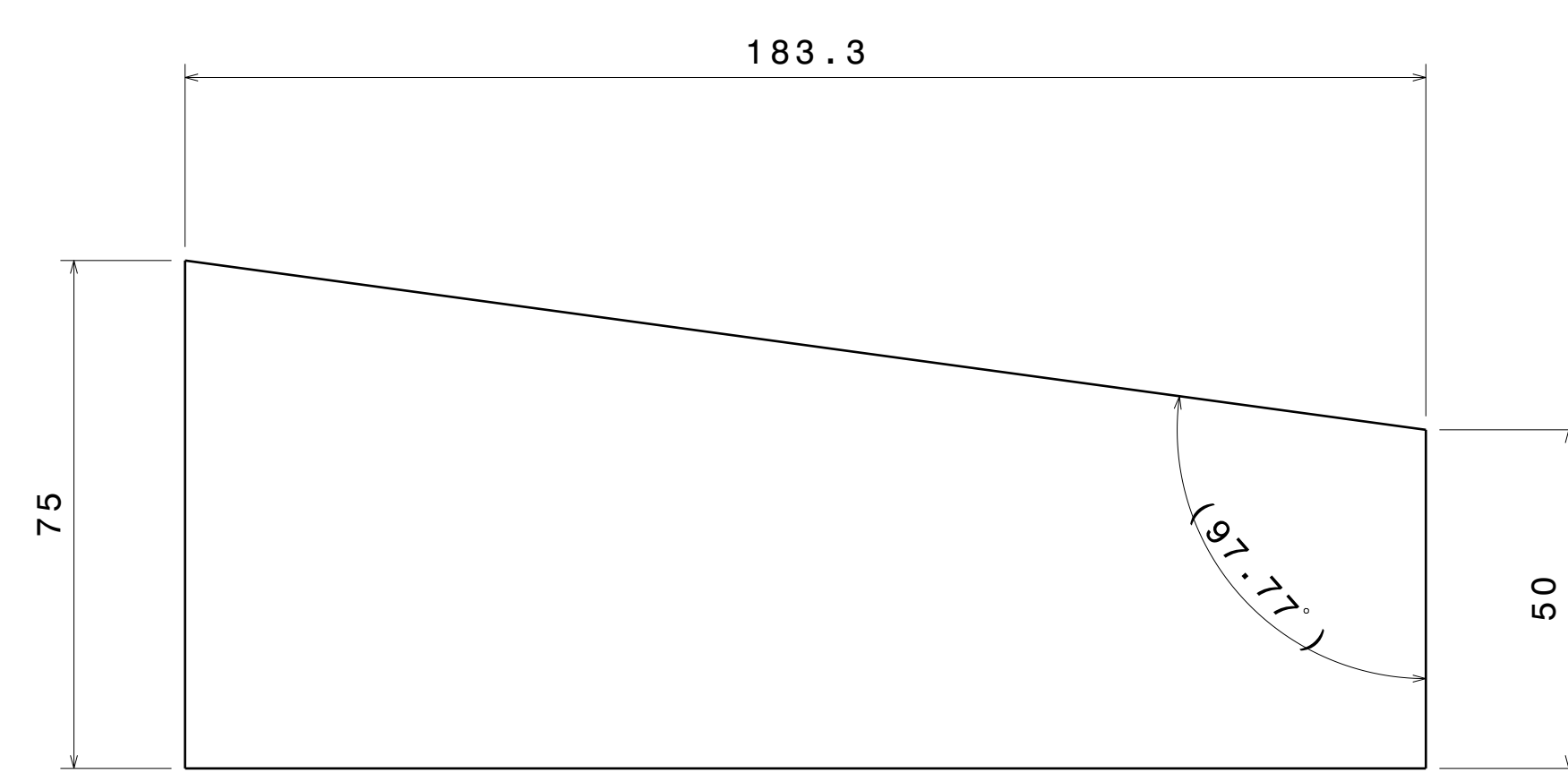
Right view  
Scale: 2:1




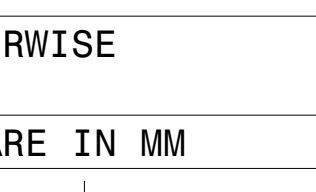
ITEM 3



Right view  
Scale: 1:2



ITEM 4 - BOP  
1 MM THICK

This drawing is our property. It can't be reproduced or communicated without our written agreement.		APL APOLLO TUBES LTD. 	
DRAWN BY SB		DATE 23DEC2020	
CHECKED BY P2P Analysis & Solutions		DATE 23DEC2020	
DESIGNED BY P2P Analysis & Solutions		DATE 23DEC2020	
UNLESS OTHERWISE SPECIFIED DIMENSION ARE IN MM		DRAWING TITLE DEC 20-18	
VIEWS: THIRD ANGLE PROJECTION 		SIZE A0	DRAWING NUMBER P2P DEC 20-18
		SCALE NONE	WEIGHT (kg) XXX
		SHEET 3 OF 3	

UNLESS OTHERWISE SPECIFIED DIMENSION ARE IN MM

