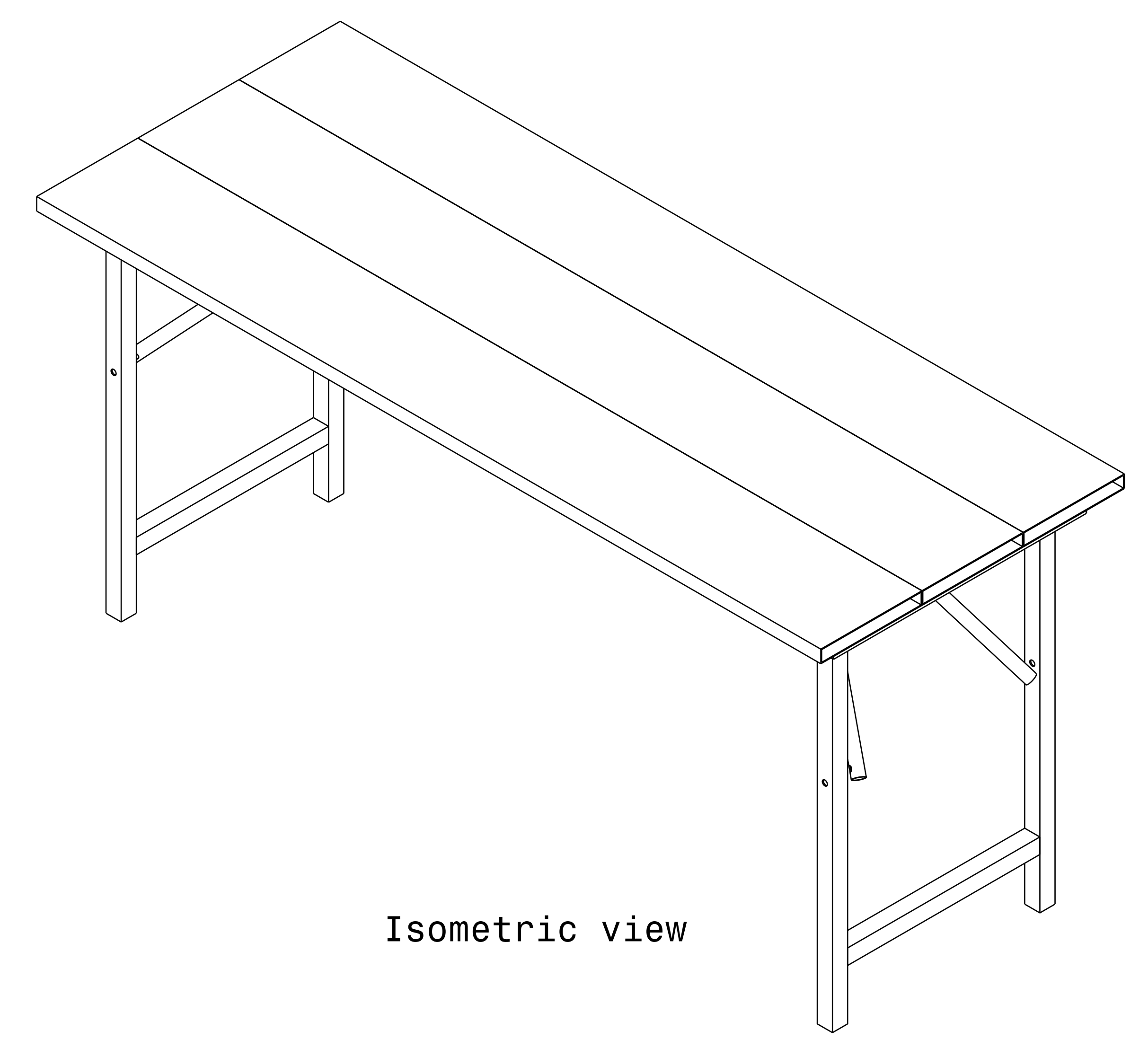
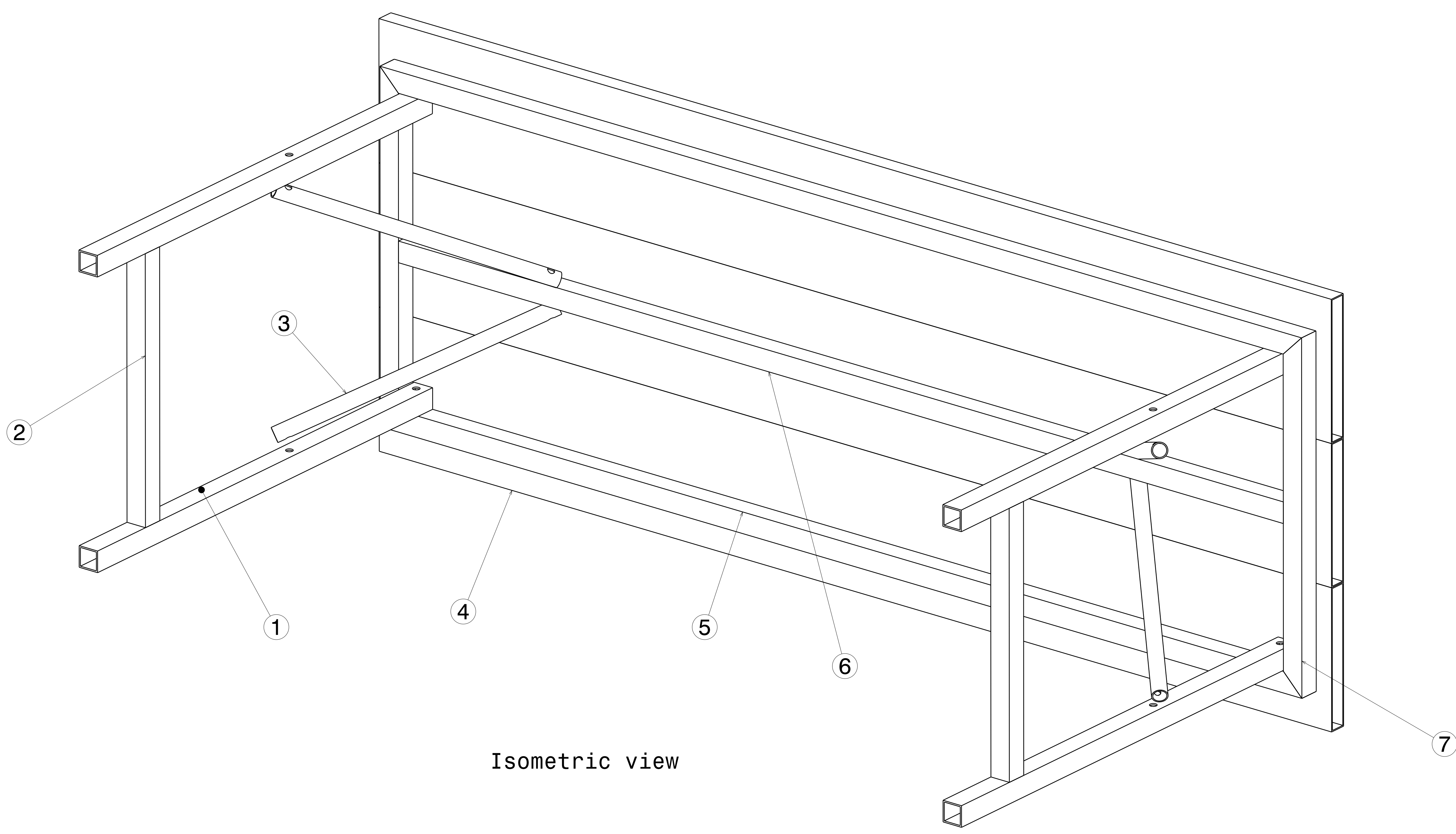



REV/DATE	DESCRIPTION
00 / 24DEC2020	INITIAL REVISION

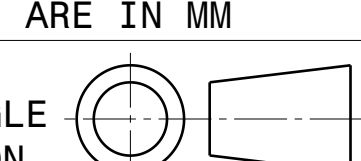
- NOTES:
1. (⊥) ALL VERTICAL SUPPORTS ARE PERPENDICULAR.
 2. □ FLATNESS OF .5MM IS APPLIED BY DEFAULT.
 3. ⚡ WELD BEAD OF 2MM RADIUS IS FOLLOWED.
 4. ∇ SURFACE FINISH MEDIUM TO SMOOTH IS USED.
 5. ALL TUBES ARE AS PER APL APOLLO STANDARD. CHANGES MAY EFFECT THE LOAD CAPACITY.
 6. ALL HORIZONTAL AND VERTICAL TUBES ARE PERPENDICULAR TO EACH OTHER WITH ±1 DEG.
 7. FINE WELDING IS REQUIRED AS PER MENTIONED DETAILS AND FINISHING.
 8. HIGHER CURRENT WELDING MAY AFFECT THE BRITTLNESS OF MATERIAL WHICH LATER MAY RAISE TO WEAKENING OF STRUCTURE.
 9. FABRICATORS ARE ALLOWED TO USE FITTINGS/FRAMES/SUPPORTS AS NEEDED AND THE SAME MUST BE COMMUNICATED BACK TO ENGINEERING TEAM.
 10. BOP COMPONENT WEIGHTS ARE FOR REFERENCE ONLY AND SUBJECTED TO CHANGE PER PURCHASED COMPONENTS.



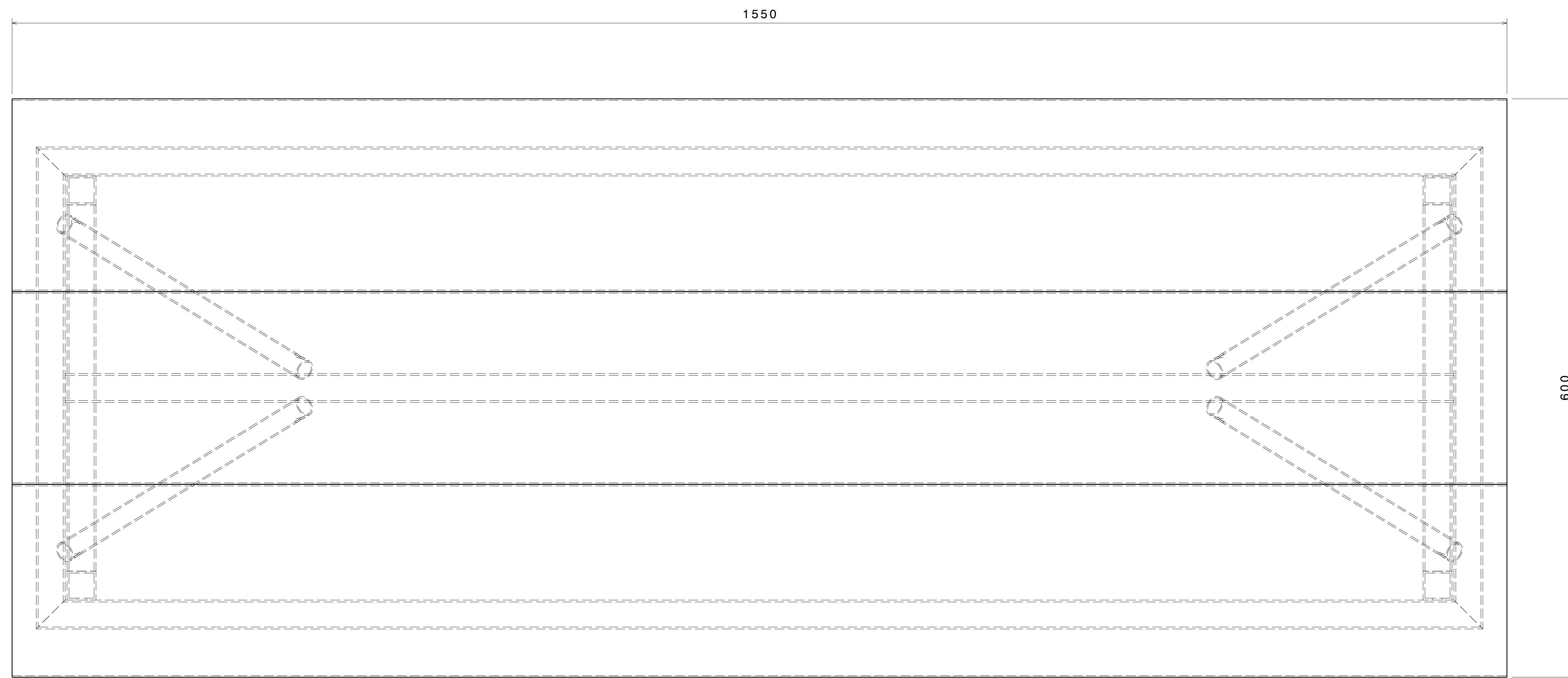
ITEM NO.	PART NUMBER	DESCRIPTION	QTY.	Wt (Kg)/Each
7	SHS FRAME 5	30 X 30 X 2 X 500	2	0.83
6	SHS FRAME 4	30 X 30 X 2 X 1440	1	2.54
5	SHS FRAME 3	30 X 30 X 2 X 1500	2	2.59
4	PLANK 1	200 X 25 X 1.6 X 1550	3	8.65
3	TUBE 1	DIA21.3 X 1.6 X 400	4	0.31
2	SHS FRAME 2	30 X 30 X 2 X 380	2	0.67
1	SHS FRAME 1	30 X 30 X 2 X 700	4	1.23

This drawing is our property. It can't be reproduced or communicated without our written agreement.		APL APOLLO TUBES LTD. 	
DRAWN BY SB		DATE 24DEC2020	
CHECKED BY P2P Analysis & Solutions		DATE 24DEC2020	
DESIGNED BY P2P Analysis & Solutions		DATE 24DEC2020	
DRAWING TITLE DEC 20-19		SIZE A0	DRAWING NUMBER P2P DEC 20-29
SCALE As Indicated		WEIGHT (kg) 0kg	REV 00
		SHEET 1 OF 3	

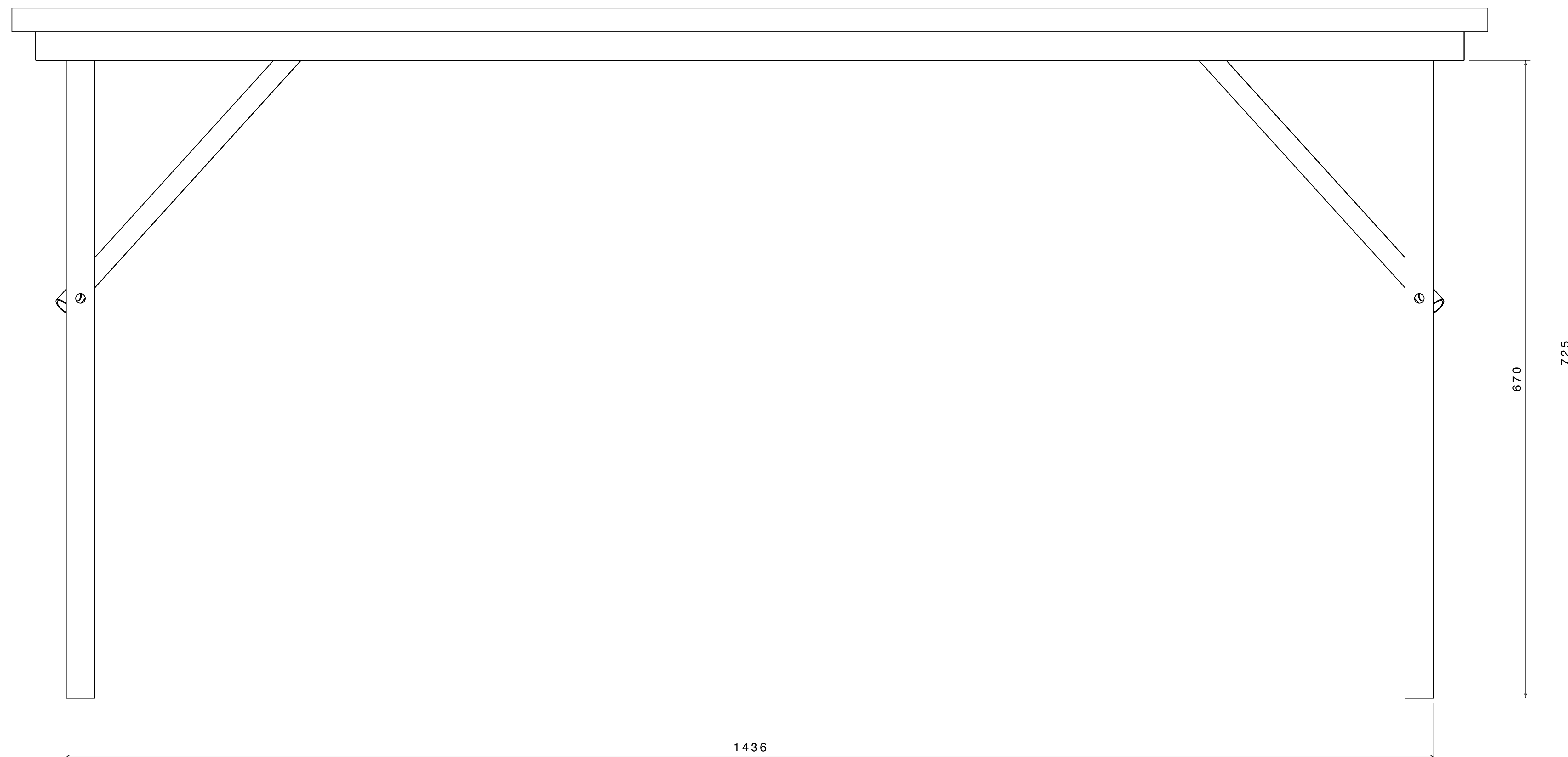
UNLESS OTHERWISE SPECIFIED DIMENSION ARE IN MM
VIEWS: THIRD ANGLE PROJECTION



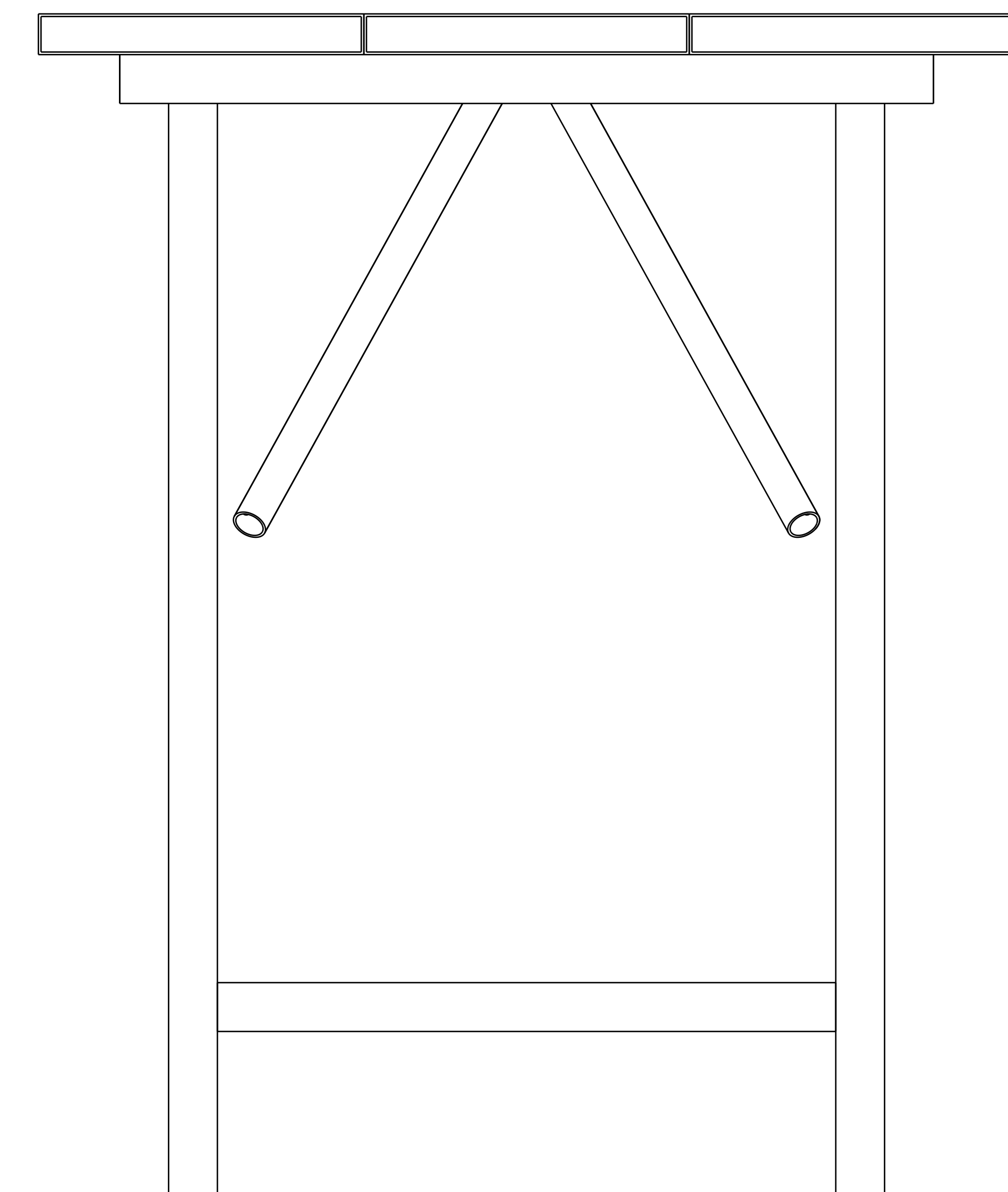
REV	DATE	DESCRIPTION
00	24DEC2020	INITIAL REVISION



Top view
Scale: 2:5

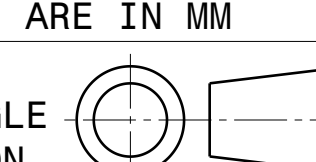



Front view
Scale: 2:5



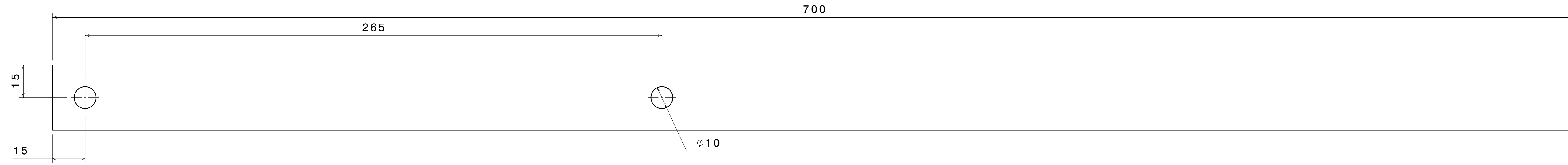
Right view
Scale: 2:5

UNLESS OTHERWISE SPECIFIED DIMENSION ARE IN MM
VIEWS: THIRD ANGLE PROJECTION



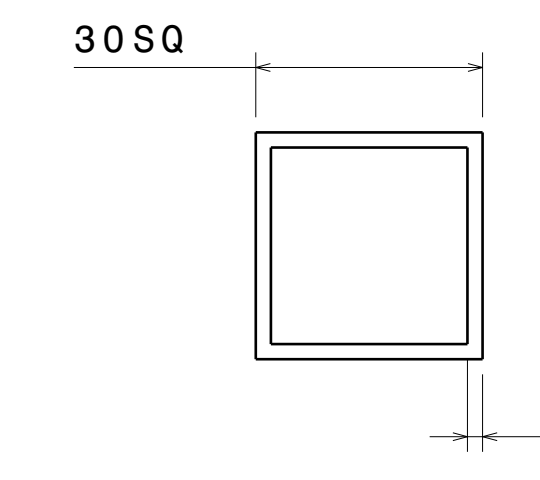
This drawing is our property. It can't be reproduced or communicated without our written agreement.		APL APOLLO TUBES LTD. 	
DRAWN BY SB		DATE 24DEC2020	
CHECKED BY P2P Analysis & Solutions		DATE 24DEC2020	
DESIGNED BY P2P Analysis & Solutions		DATE 24DEC2020	
DRAWING TITLE DEC 20-19		SIZE A0	DRAWING NUMBER P2P DEC 20-29
SCALE NONE		WEIGHT (kg) XXX	REV 00
		SHEET 2 OF 3	

REV	DATE	DESCRIPTION
00	24DEC2020	INITIAL REVISION

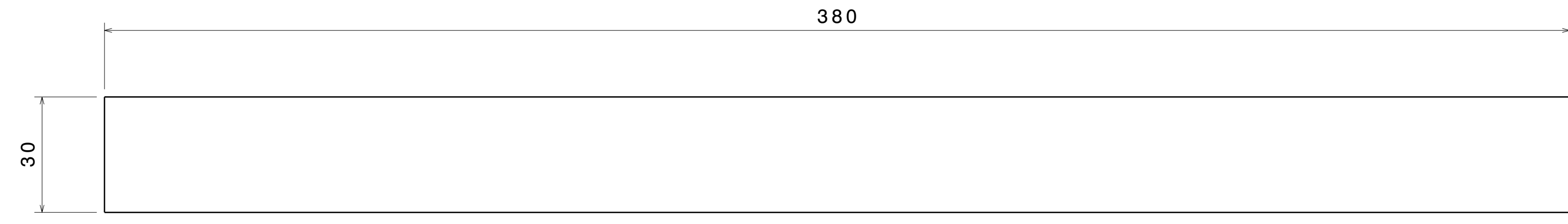


HOLE DIMENSION AND LOCATIONS ARE SUBJECTED TO CHANGE PER FABRICATOR'S MEASUREMENT

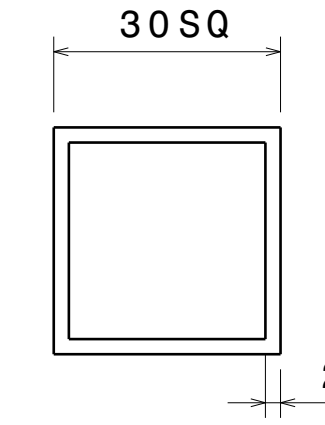
ITEM 1



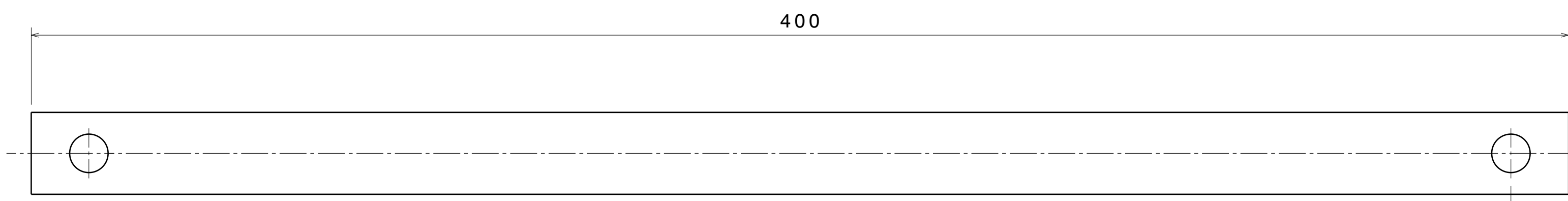
Right view
Scale: 1:1



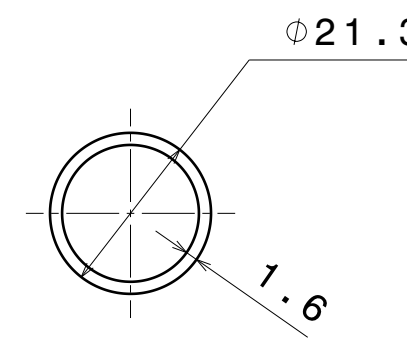
ITEM 2



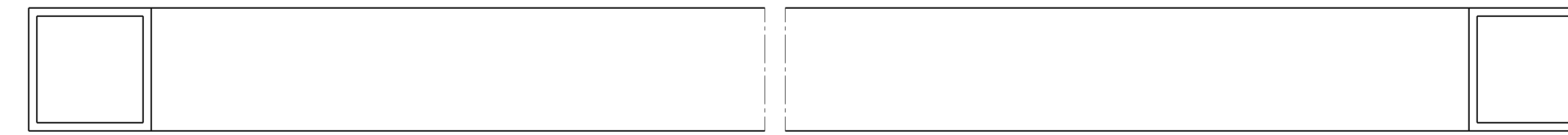
Right view
Scale: 1:1



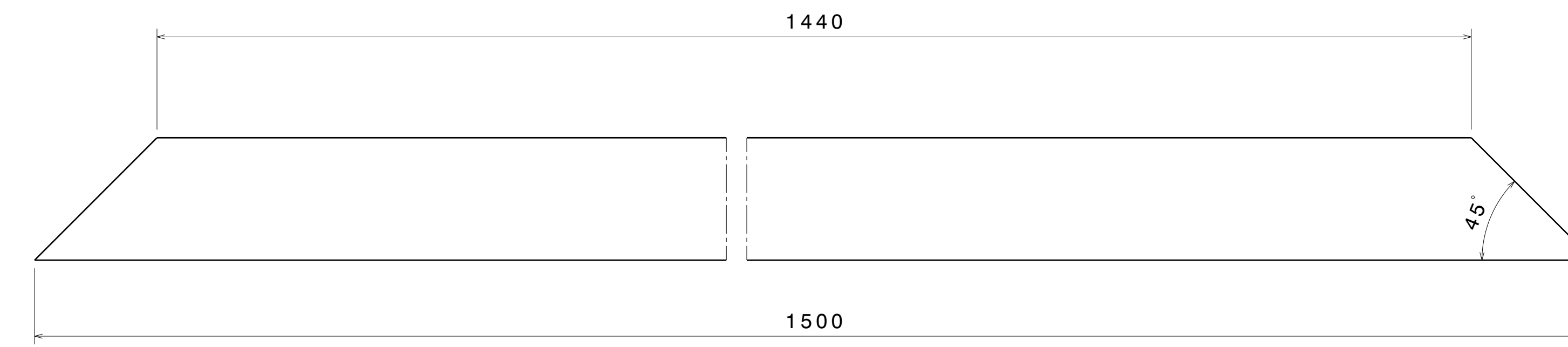
ITEM 3



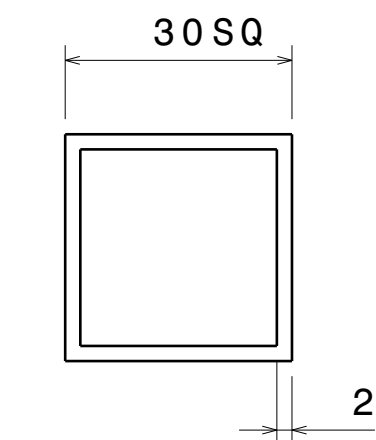
Right view
Scale: 1:1



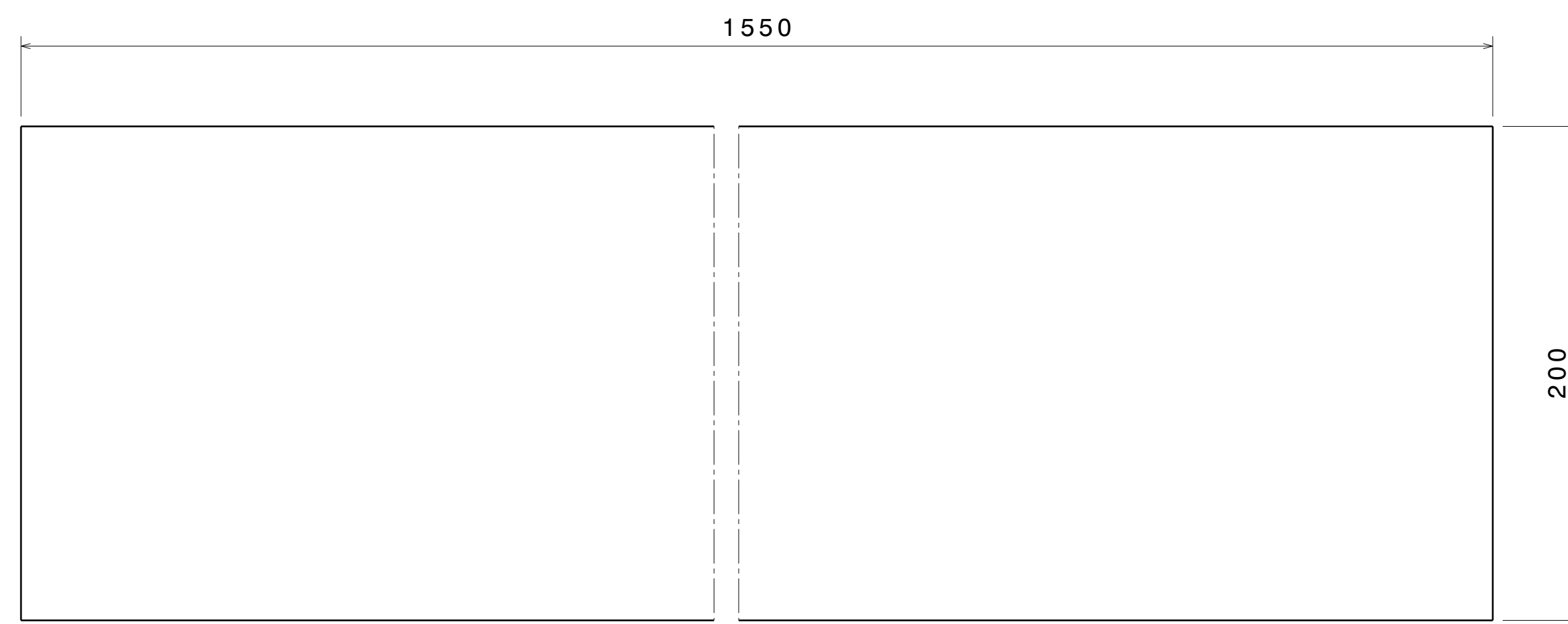
Top view
Scale: 1:1



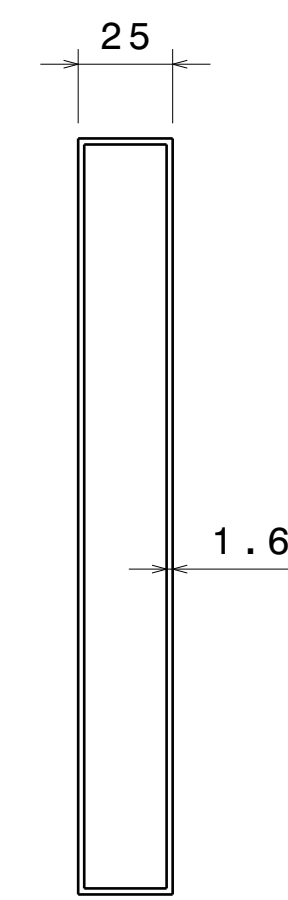
ITEM 5



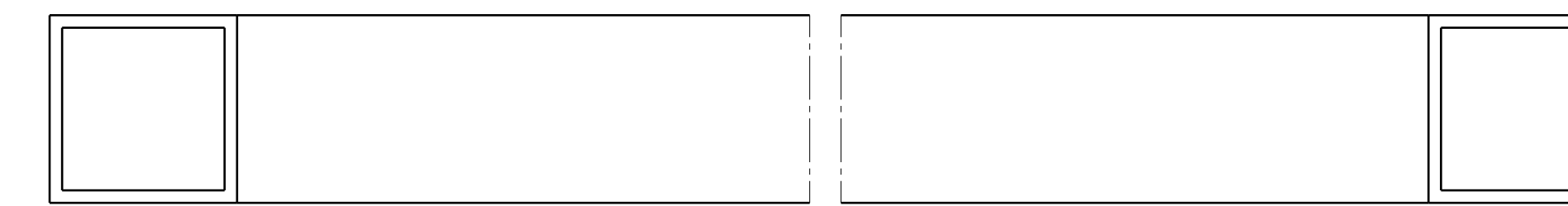
Right view
Scale: 1:1



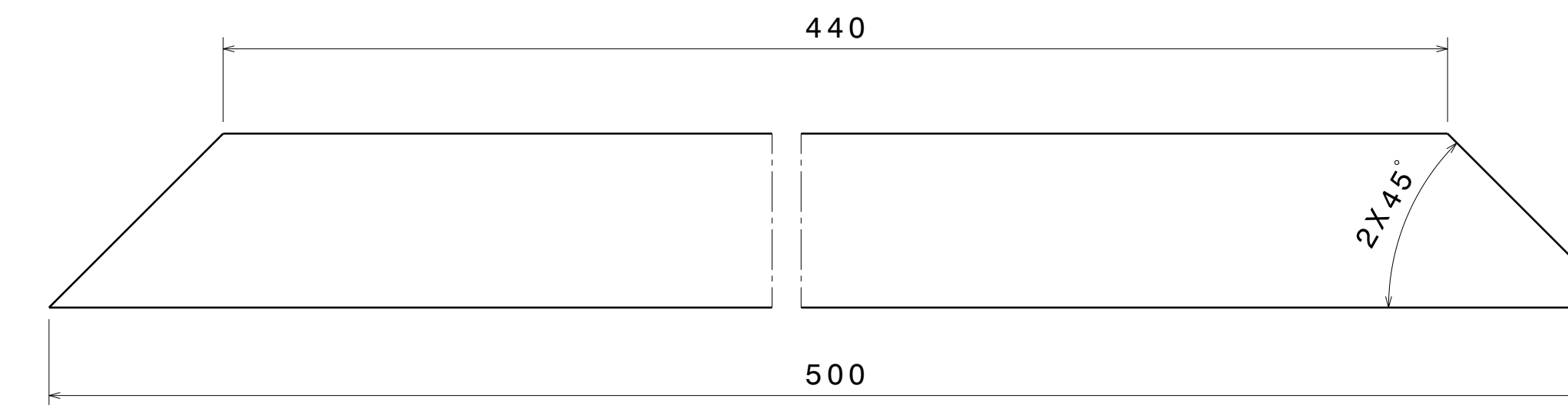
ITEM 4



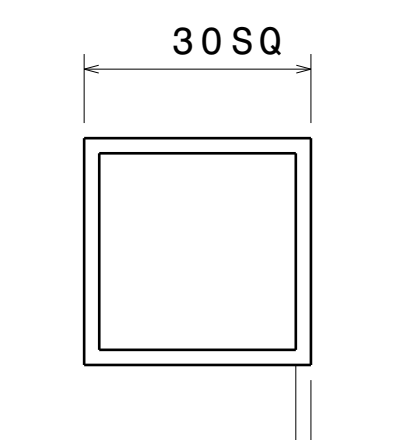
Right view
Scale: 1:2



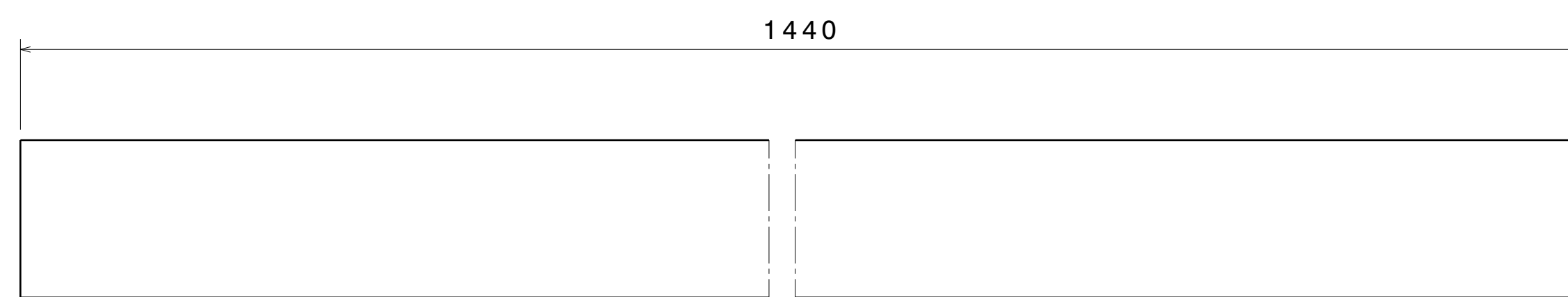
Top view
Scale: 1:1



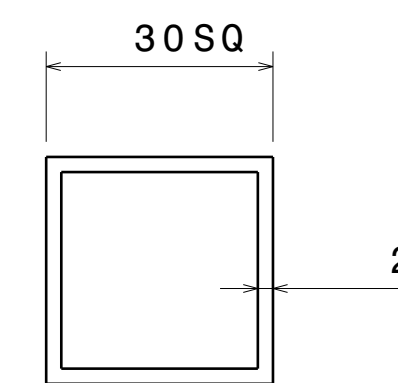
ITEM 7



Right view
Scale: 1:1



ITEM 6



Right view
Scale: 1:1

This drawing is our property. It can't be reproduced or communicated without our written agreement.

APL APOLLO TUBES LTD. 

DRAWN BY	DATE
SB	24DEC2020
CHECKED BY	DATE
P2P Analysis & Solutions	24DEC2020
DESIGNED BY	DATE
P2P Analysis & Solutions	24DEC2020

DRAWING TITLE			
DEC 20-19			
SIZE	DRAWING NUMBER	REV	
A0	P2P DEC 20-29	00	
SCALE	NONE	WEIGHT (kg)	XXX
			SHEET 3 OF 3

UNLESS OTHERWISE SPECIFIED DIMENSION ARE IN MM VIEWS: THIRD ANGLE PROJECTION

