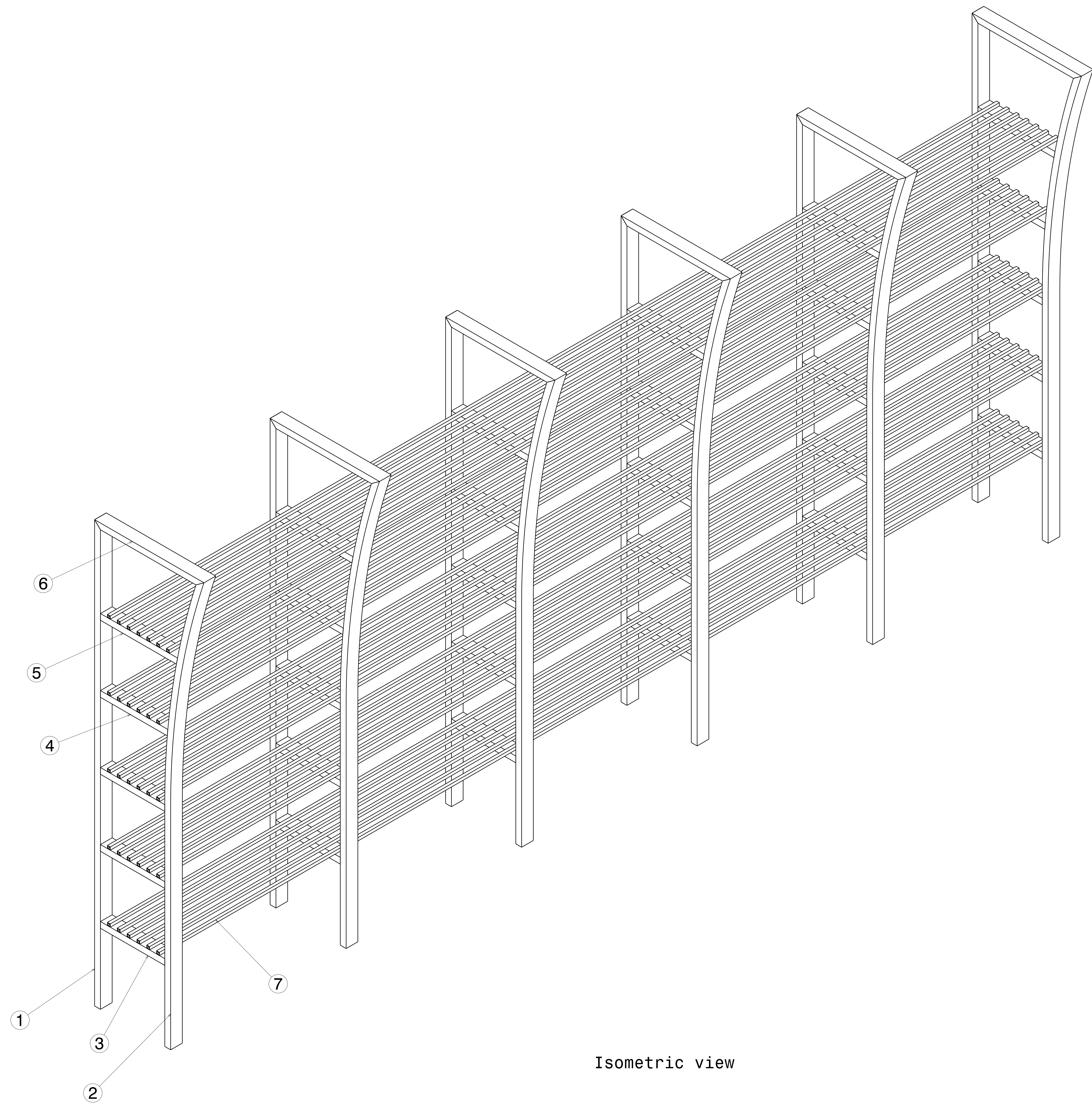


REV/DATE	DESCRIPTION
00 24DEC2020	INITIAL REVISION

- NOTES:
- (⊥) ALL VERTICAL SUPPORTS ARE PERPENDICULAR.
 - FLATNESS OF .5MM IS APPLIED BY DEFAULT.
 - ⊲ WELD BEAD OF 2MM RADIUS IS FOLLOWED.
 - ▽▽ SURFACE FINISH MEDIUM TO SMOOTH IS USED.
 - ALL TUBES ARE AS PER APL APOLLO STANDARD. CHANGES MAY EFFECT THE LOAD CAPACITY.
 - ALL HORIZONTAL AND VERTICAL TUBES ARE PERPENDICULAR TO EACH OTHER WITH ±1 DEG.
 - FINE WELDING IS REQUIRED AS PER MENTIONED DETAILS AND FINISHING.
 - HIGHER CURRENT WELDING MAY AFFECT THE BRITTLINESS OF MATERIAL WHICH LATER MAY RAISE TO WEAKENING OF STRUCTURE.
 - FABRICATORS ARE ALLOWED TO USE FITTINGS/FRAMES/SUPPORTS AS NEEDED AND THE SAME MUST BE COMMUNICATED BACK TO ENGINEERING TEAM.
 - BOP COMPONENT WEIGHTS ARE FOR REFERENCE ONLY AND SUBJECTED TO CHANGE PER PURCHASED COMPONENTS.



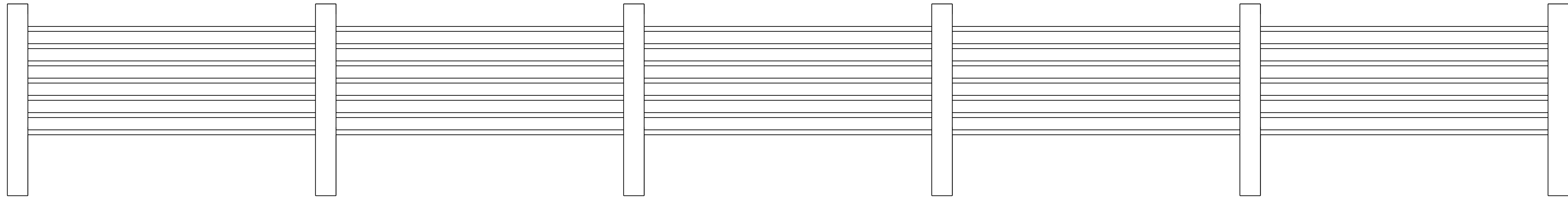
Isometric view

ITEM NO.	PART NUMBER	DESCRIPTION	QTY.	Wt (Kg)/Each
7	RHS FRAME 7	12 X 12 X 1.6 X 3800	31	2.00
6	RHS FRAME 6	50 X 25 X 2 X 467.5	6	0.98
5	RHS FRAME 5	50 X 25 X 2 X 329.6	6	0.73
4	RHS FRAME 4	50 X 25 X 2 X 287.6	6	0.64
3	RHS FRAME 3	50 X 25 X 2 X 275	18	0.61
2	RHS FRAME 2	50 X 25 X 2 X 1825	6	4.02
1	RHS FRAME 1	50 X 25 X 2 X 1800	6	4.00

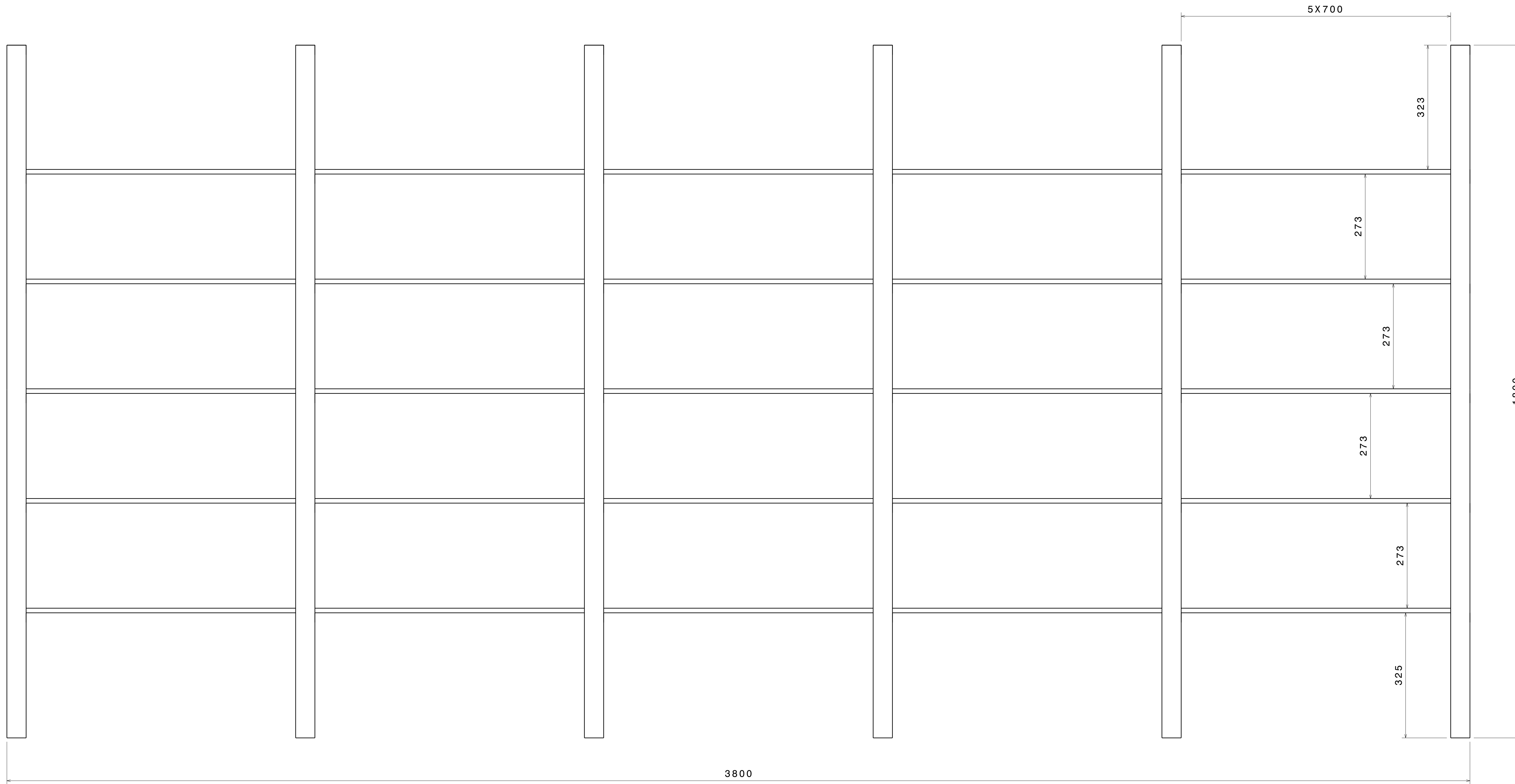
This drawing is our property. It can't be reproduced or communicated without our written agreement.		APL APOLLO TUBES LTD.	
DRAWN BY SB		DATE 24DEC2020	
CHECKED BY P2P Analysis & Solutions		DATE 24DEC2020	
DESIGNED BY P2P Analysis & Solutions		DATE 24DEC2020	
DRAWING TITLE DEC 20-20		SIZE A0	DRAWING NUMBER P2P DEC 20-20
SCALE As Indicated		WEIGHT(kg) 0kg	REV 00

UNLESS OTHERWISE SPECIFIED DIMENSION ARE IN MM
VIEWS: THIRD ANGLE PROJECTION

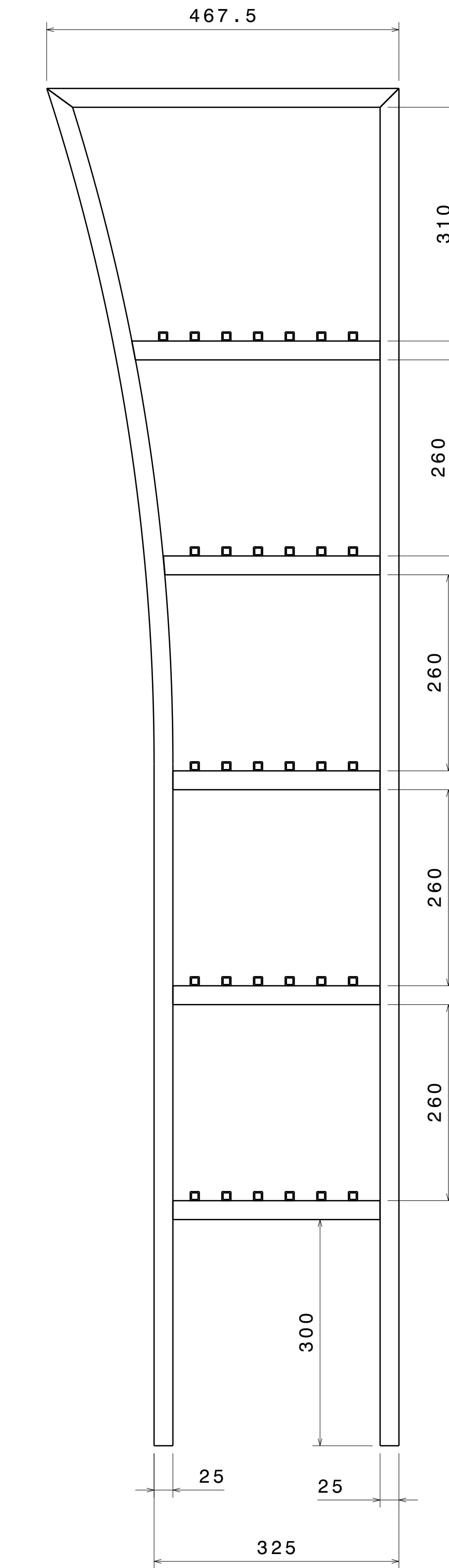
REV	DATE	DESCRIPTION
00	24DEC2020	INITIAL REVISION




Top view
Scale: 1:5



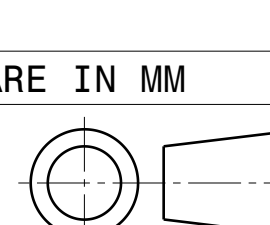
Front view



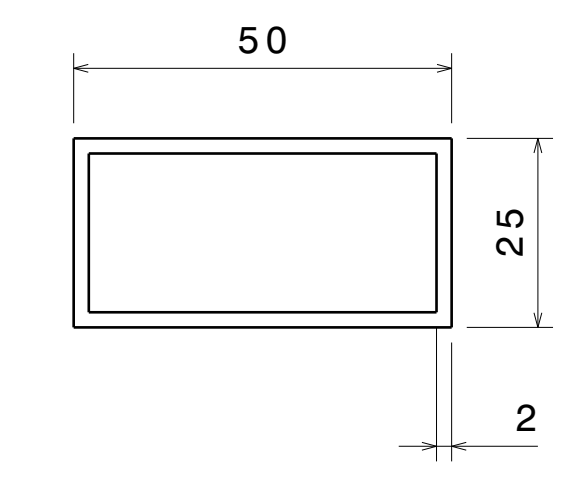
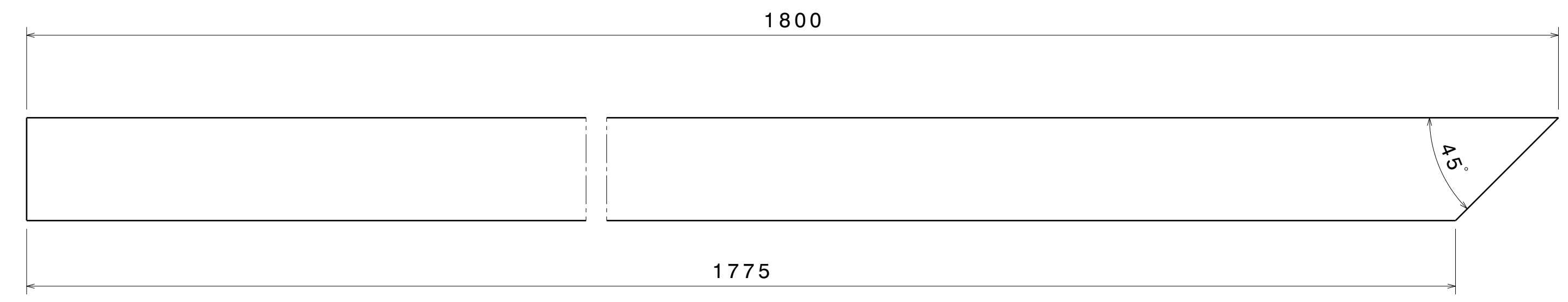
Right view
Scale: 1:5

This drawing is our property. It can't be reproduced or communicated without our written agreement.		APL APOLLO TUBES LTD. 	
DRAWN BY SB		DRAWING TITLE DEC 20-20	
CHECKED BY P2P Analysis & Solutions		DATE 24DEC2020	
DESIGNED BY P2P Analysis & Solutions		DATE 24DEC2020	
SIZE A0	DRAWING NUMBER P2P DEC 20-20	REV 00	
SCALE NONE	WEIGHT (kg) XXX	SHEET 2 OF 3	

UNLESS OTHERWISE SPECIFIED DIMENSION ARE IN MM
VIEWS: THIRD ANGLE PROJECTION

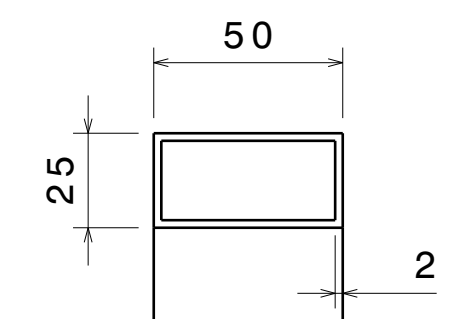
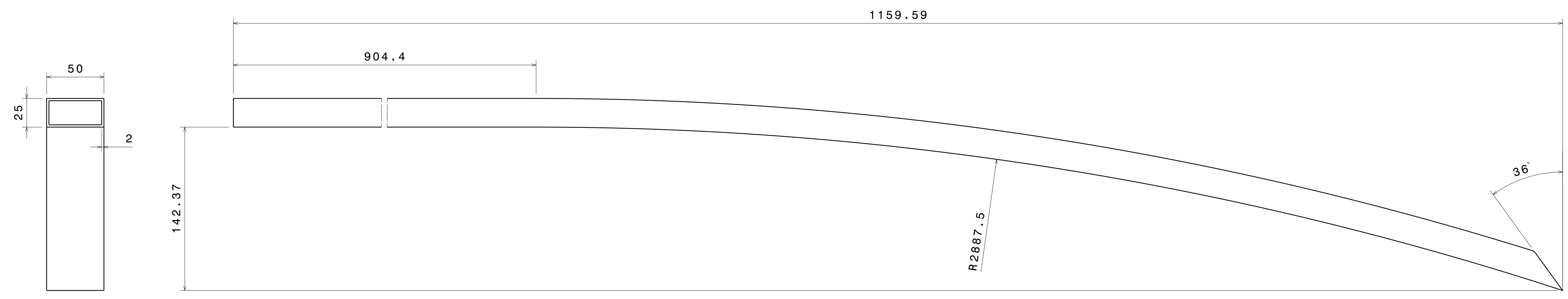


REV	DATE	DESCRIPTION
00	24DEC2020	INITIAL REVISION



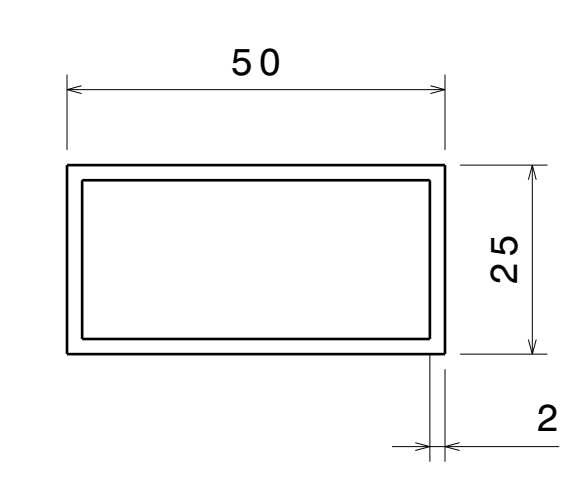
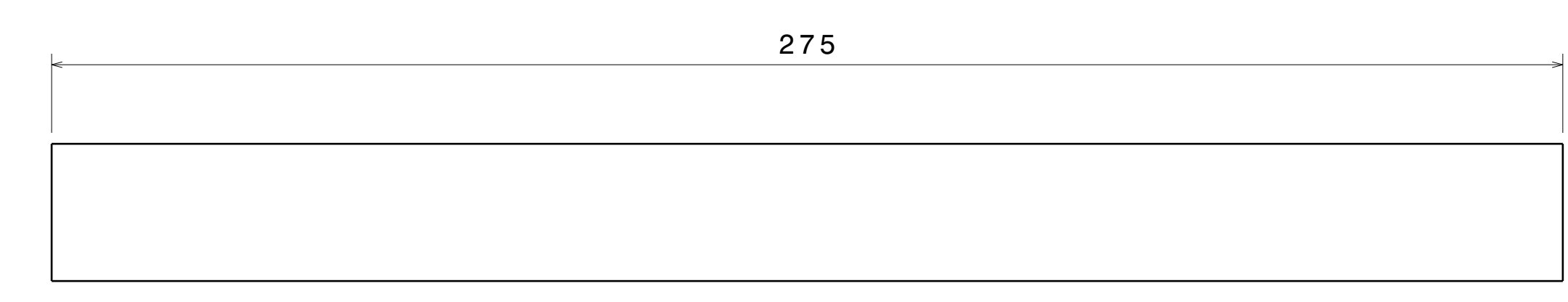
Right view
Scale: 1:1

ITEM 1



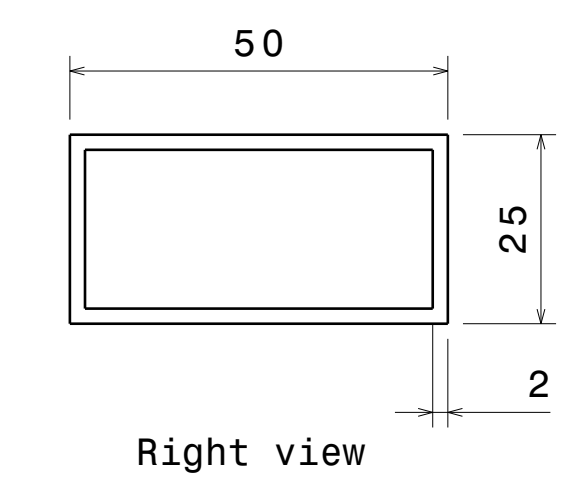
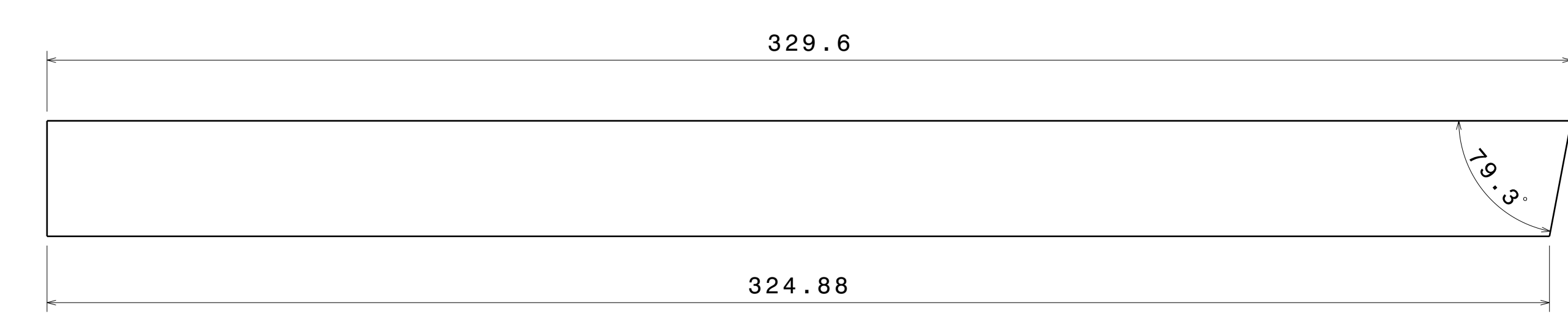
Left view
Scale: 1:2

ITEM 2



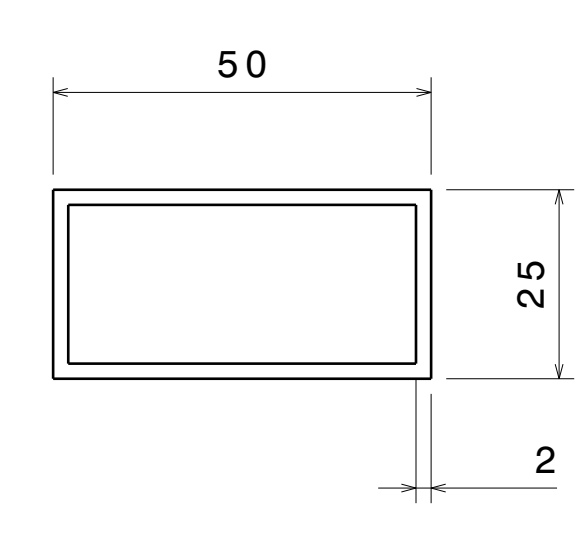
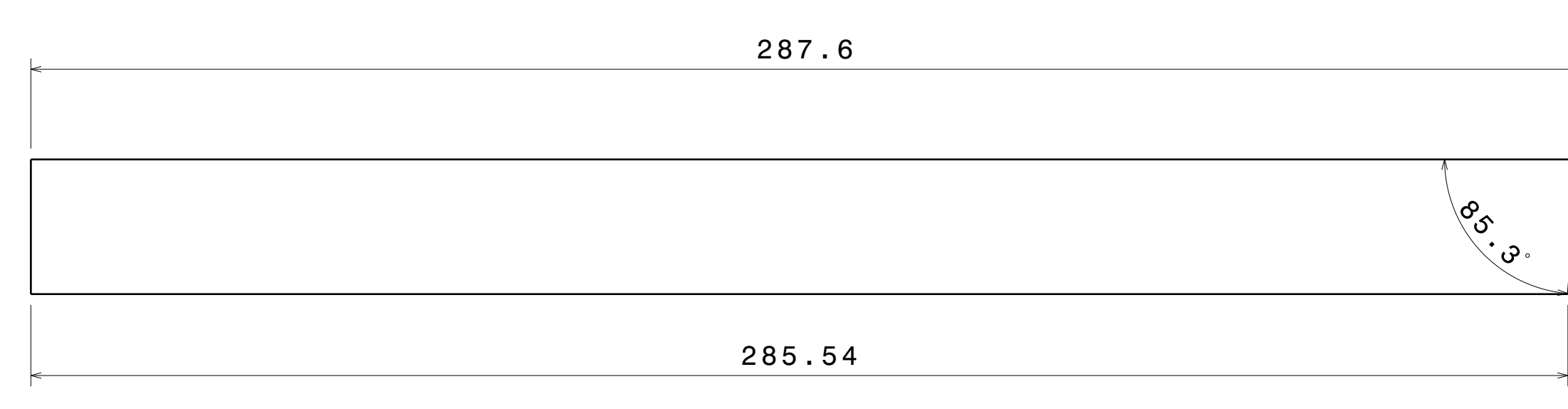
Right view
Scale: 1:1

ITEM 3



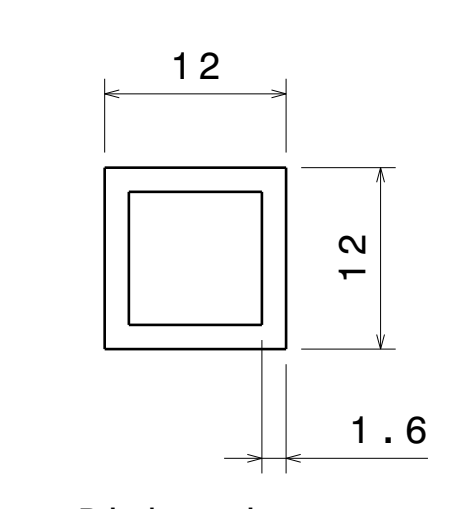
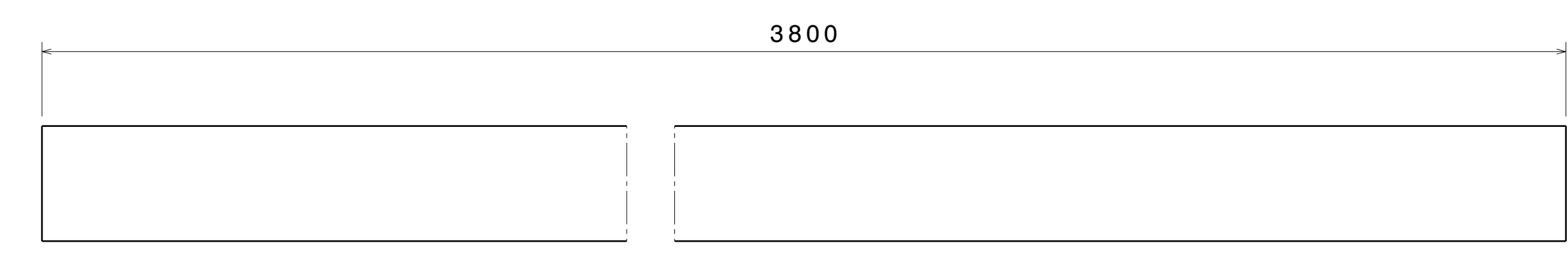
Right view
Scale: 1:1

ITEM 6



Right view
Scale: 1:1

ITEM 4



Right view
Scale: 2:1

ITEM 7

UNLESS OTHERWISE SPECIFIED DIMENSION ARE IN MM
VIEWS: THIRD ANGLE PROJECTION

This drawing is our property. It can't be reproduced or communicated without our written agreement.

DRAWN BY	DATE
SB	24DEC2020
CHECKED BY	DATE
P2P Analysis & Solutions	24DEC2020
DESIGNED BY	DATE
P2P Analysis & Solutions	24DEC2020

APL APOLLO TUBES LTD.	
DRAWING TITLE	
DEC 20-20	
SIZE	DRAWING NUMBER
A0	P2P DEC 20-20
SCALE	WEIGHT (kg)
NONE	XXX
SHEET 3 OF 3	