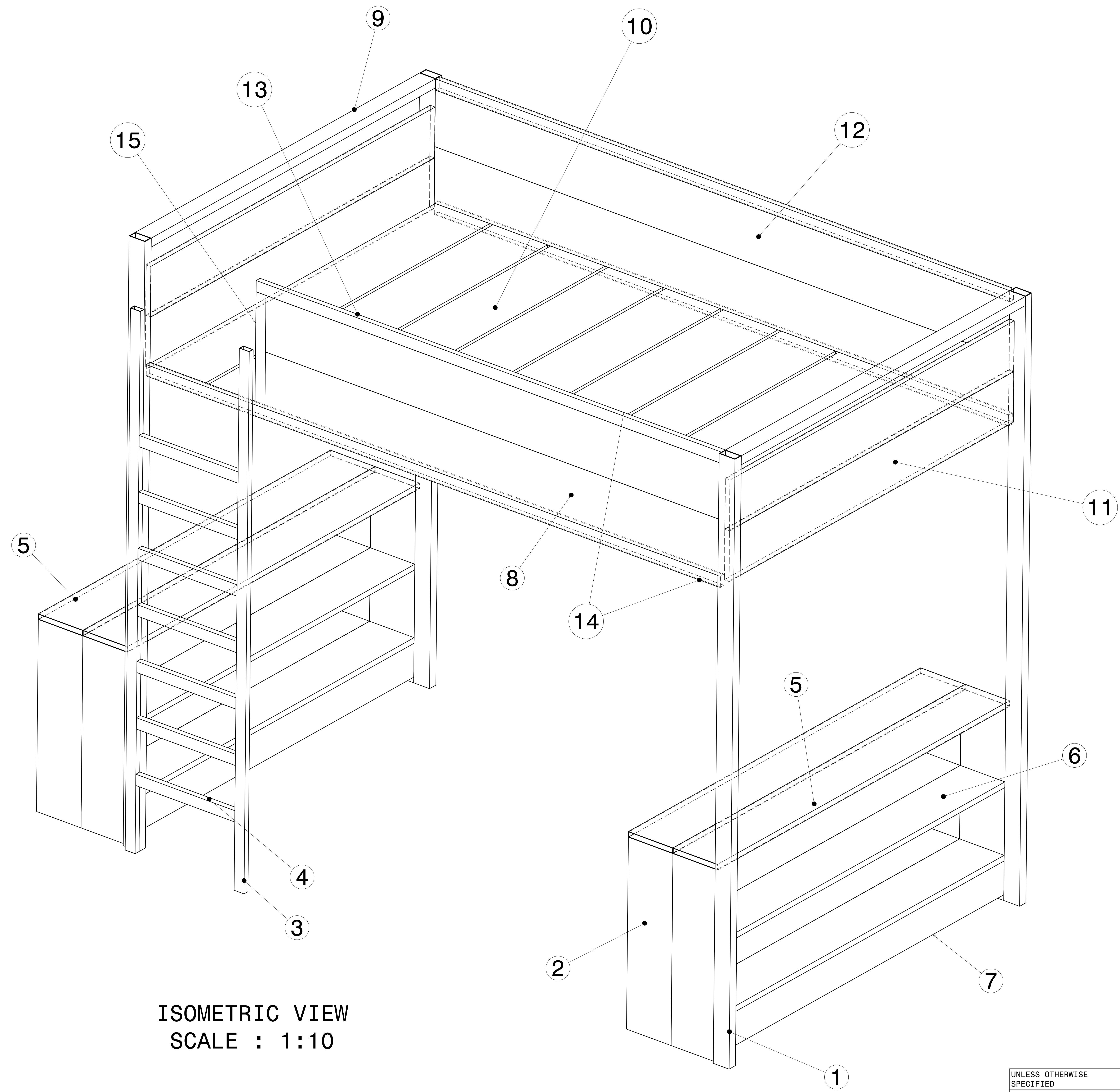


REV	DATE	DESCRIPTION
00	14OCT2020	INITIAL REVISION

- NOTES:
- (⊥) ALL VERTICAL SUPPORTS ARE PERPENDICULAR.
  - FLATNESS OF .5MM IS APPLIED BY DEFAULT.
  - ⊲ WELD BEAD OF 2MM RADIUS IS FOLLOWED.
  - ▽▽ SURFACE FINISH MEDIUM TO SMOOTH IS USED.
  - ALL TUBES ARE AS PER APL APOLLO STANDARD. CHANGES MAY EFFECT THE LOAD CAPACITY.
  - ALL HORIZONTAL AND VERTICAL TUBES ARE PERPENDICULAR TO EACH OTHER WITH ±1 DEG.
  - FINE WELDING IS REQUIRED AS PER MENTIONED DETAILS AND FINISHING.
  - HIGHER CURRENT WELDING MAY AFFECT THE BRITTLENESS OF MATERIAL WHICH LATER MAY RAISE TO WEAKENING OF STRUCTURE.
  - FABRICATORS ARE ALLOWED TO USE FITTINGS/FRAMES/SUPPORTS AS NEEDED AND THE SAME MUST BE COMMUNICATED BACK TO ENGINEERING TEAM.
  - BOP COMPONENT WEIGHTS ARE FOR REFERENCE ONLY AND SUBJECTED TO CHANGE PER PURCHASED COMPONENTS.



ISOMETRIC VIEW  
SCALE : 1:10

ITEM NO.	PART NUMBER	DESCRIPTION	QTY.	Wt (Kg)/Each
15	RHS FRAME 7	50 X 25 X 2 X 500	1	1.12
14	RHS FRAME 6	50 X 25 X 2 X 2900	3	6.48
13	RHS FRAME 5	50 X 25 X 2 X 2350	1	5.25
12	RHS PLANK 7	250 X 25 X 1.6 X 2900	2	19.85
11	RHS PLANK 6	225 X 25 X 1.6 X 1800	4	11.18
10	RHS PLANK 5	275 X 25 X 1.6 X 1800	10	13.44
9	RHS FRAME 4	80 X 40 X 2 X 1800	2	6.57
8	RHS PLANK 5	250 X 25 X 1.6 X 2300	1	15.72
7	RHS PLANK 4	150 X 25 X 1.6 X 1800	4	7.80
6	RHS PLANK 3	225 X 25 X 1.6 X 1800	8	11.18
5	RHS PLANK 2	225 X 25 X 1.6 X 1850	4	11.50
4	RHS FRAME 3	50 X 25 X 2 X 500	7	1.12
3	RHS FRAME 2	50 X 25 X 2 X 2400	2	5.36
2	RHS PLANK 1	225 X 25 X 1.6 X 850	8	2.64
1	RHS FRAME 1	80 X 40 X 3.2 X 2700	4	15.43

This drawing is our property. It can't be reproduced or communicated without our written agreement.

APL APOLLO TUBES LTD.

DRAWING TITLE: DEC 20 12

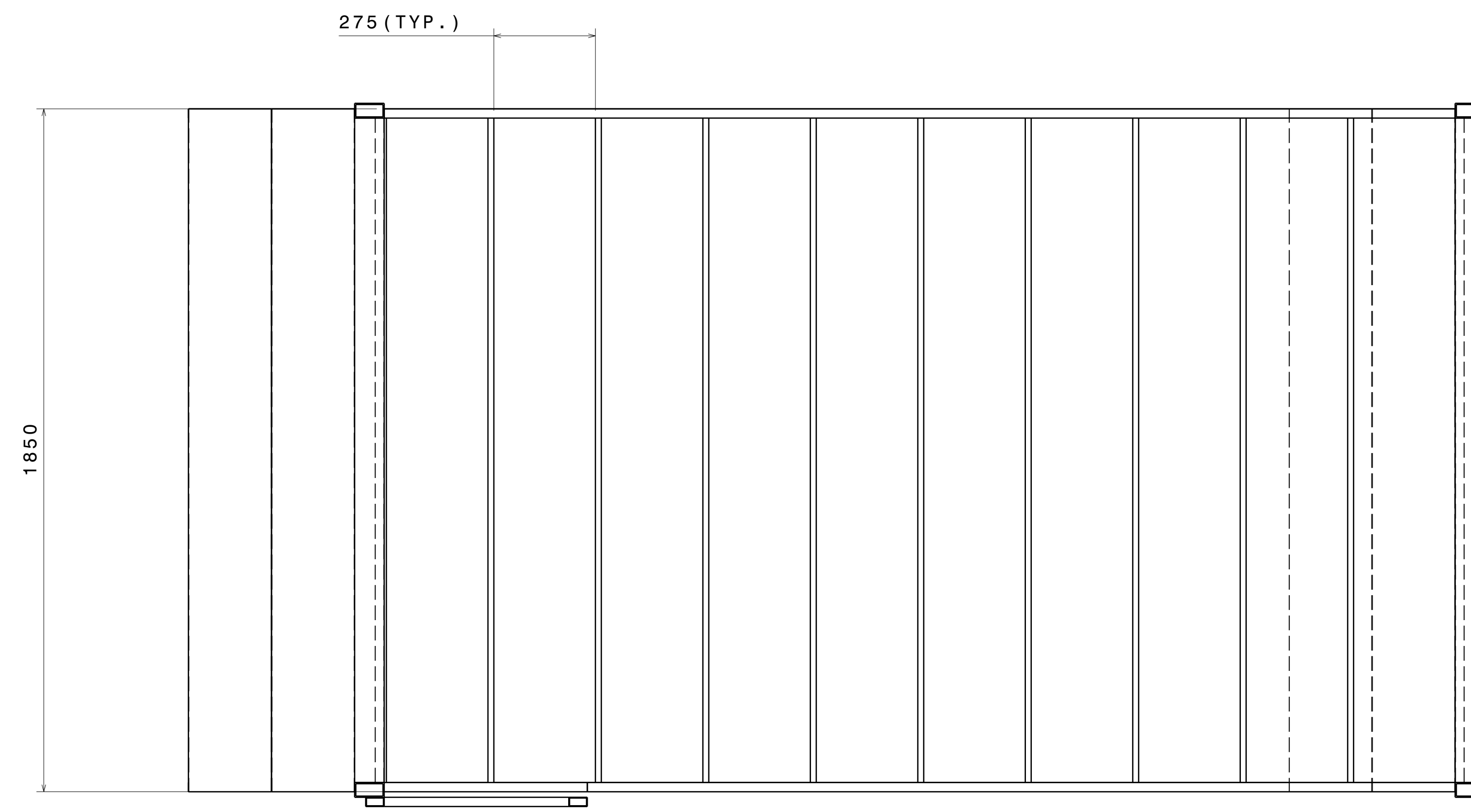
DRAWN BY: VM	DATE: 14OCT2020	CHECKED BY: P2P Analysis & Solutions	DATE: 14OCT2020	DESIGNED BY: P2P Analysis & Solutions	DATE: 14OCT2020
--------------	-----------------	--------------------------------------	-----------------	---------------------------------------	-----------------

SIZE: A0	DRAWING NUMBER: P2P DEC 20 12	REV: 00
SCALE: As Indicated	WEIGHT (kg): 0kg	SHEET 1 OF 3

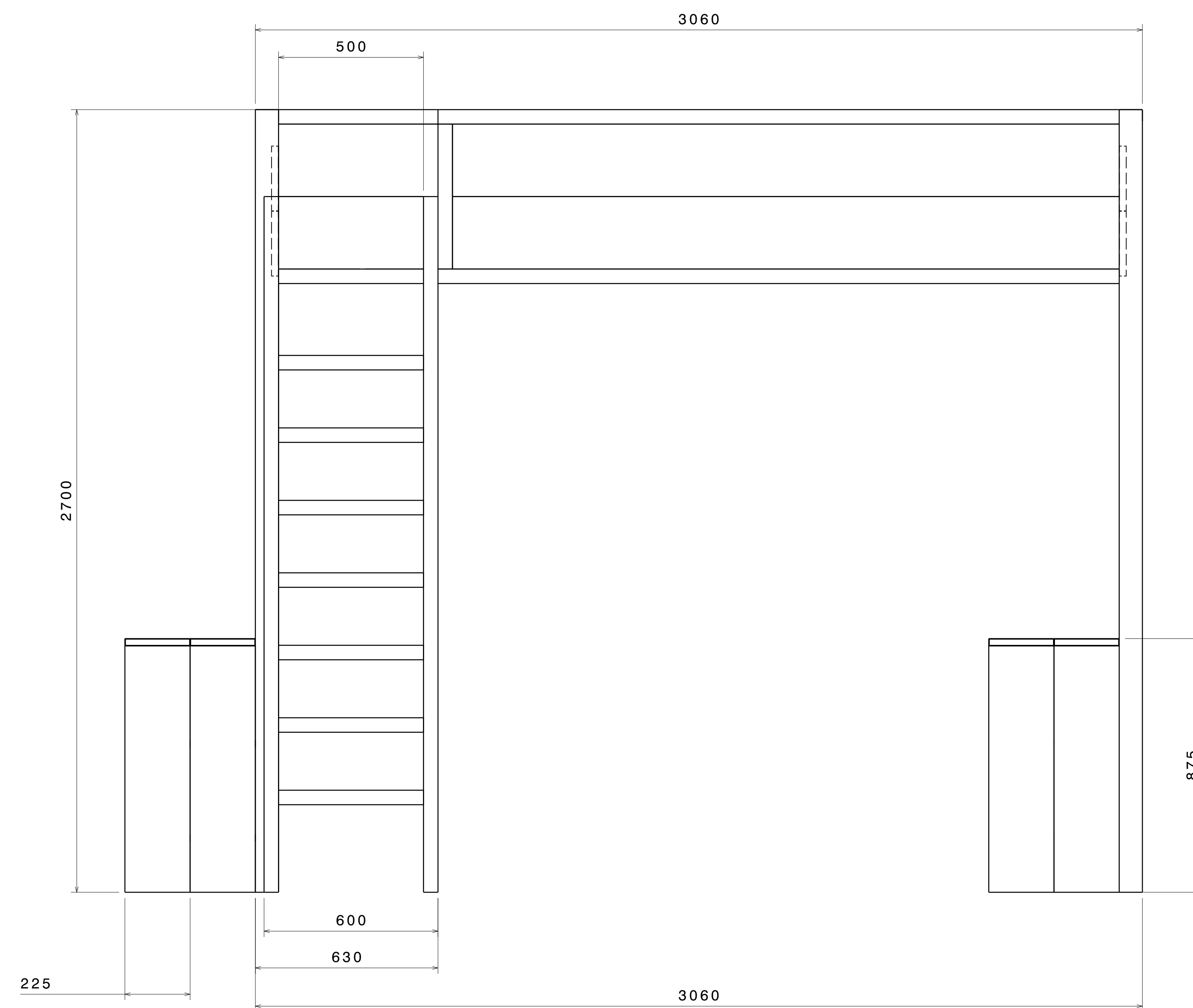
UNLESS OTHERWISE SPECIFIED DIMENSION ARE IN MM VIEWS: THIRD ANGLE PROJECTION



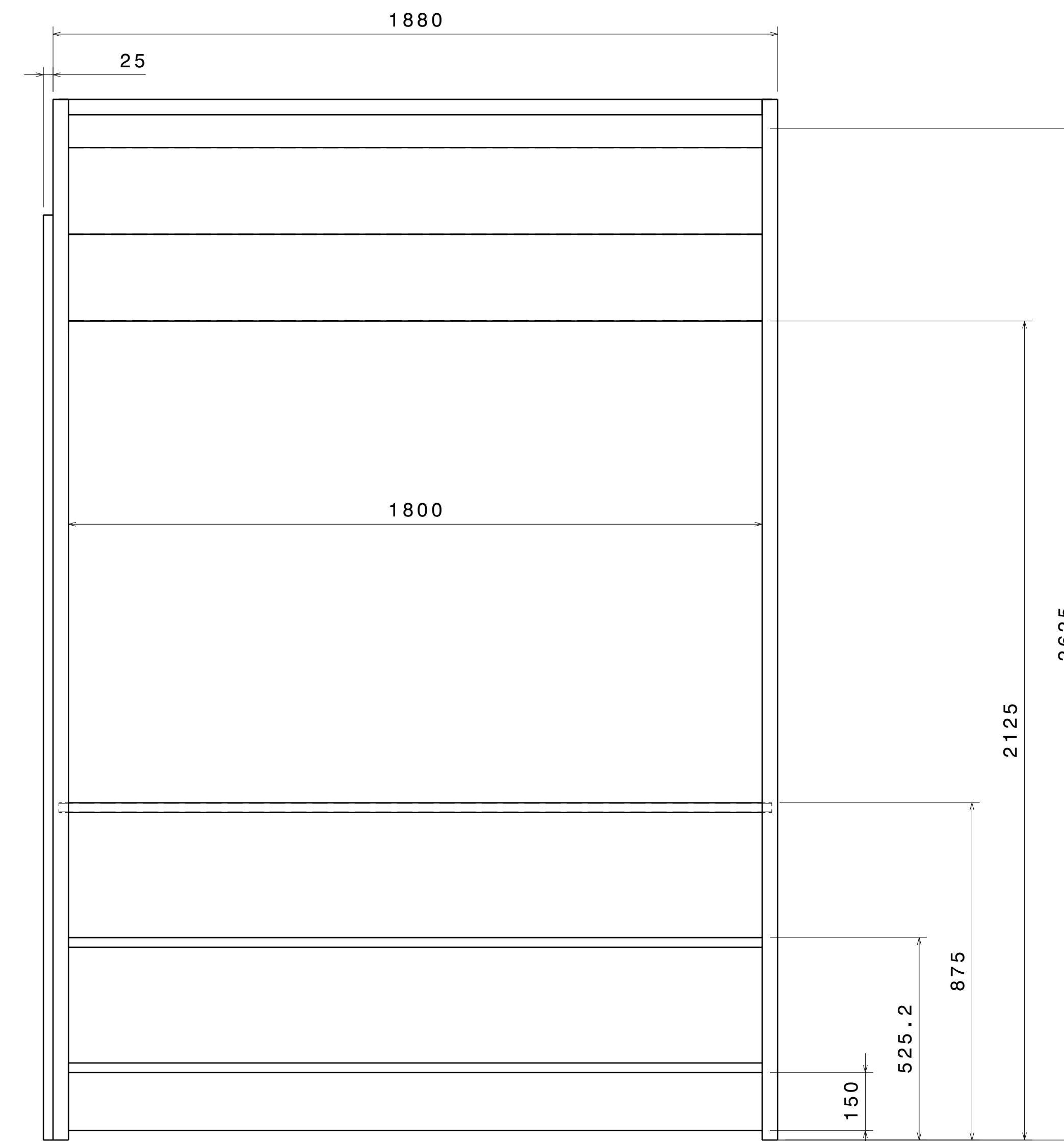
REV	DATE	DESCRIPTION
00	14OCT2020	INITIAL REVISION



TOP VIEW

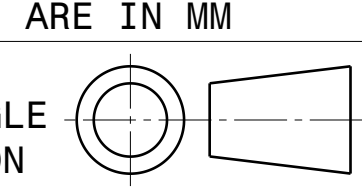



FRONT VIEW



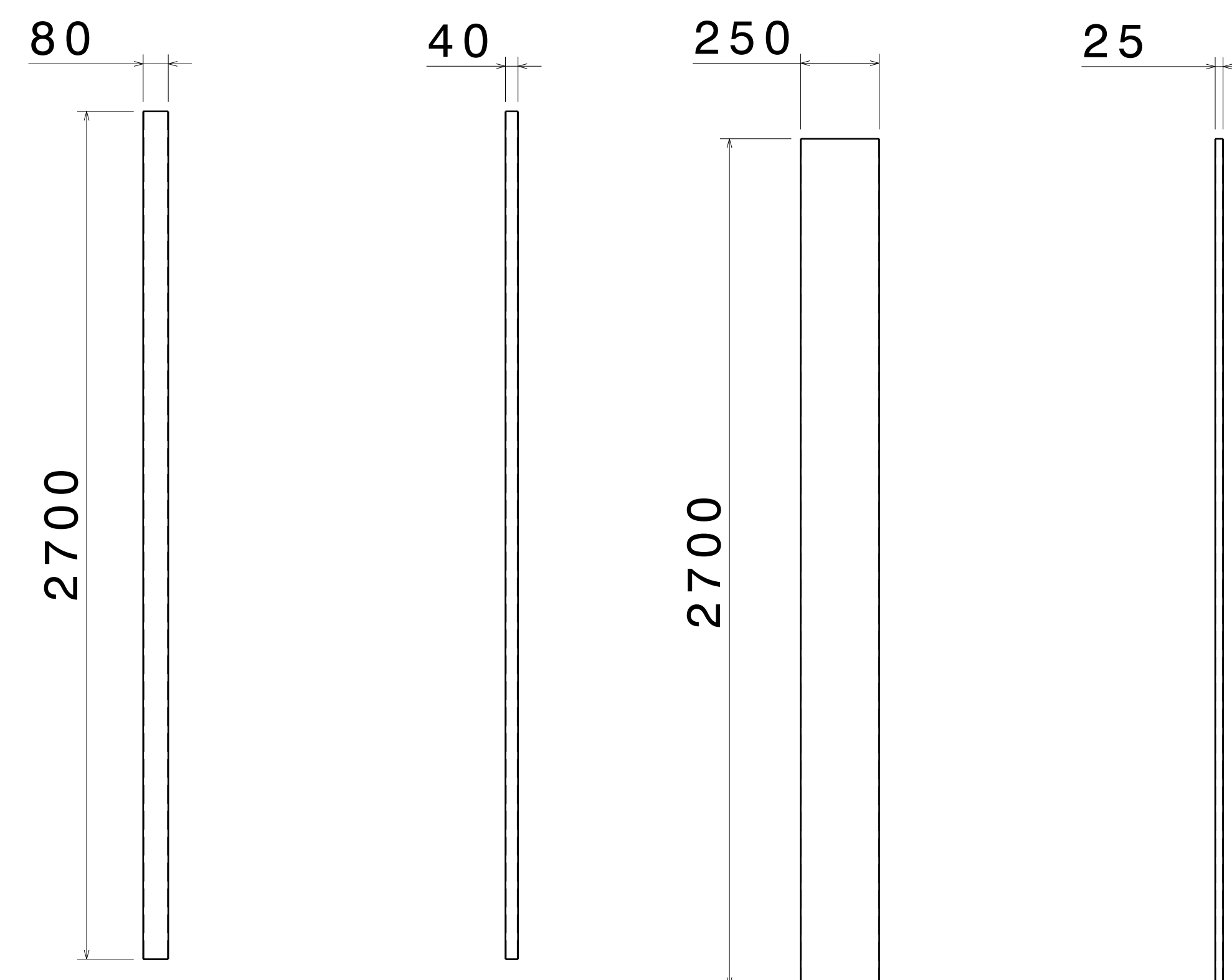
RIGHT VIEW

UNLESS OTHERWISE SPECIFIED DIMENSION ARE IN MM VIEWS: THIRD ANGLE PROJECTION



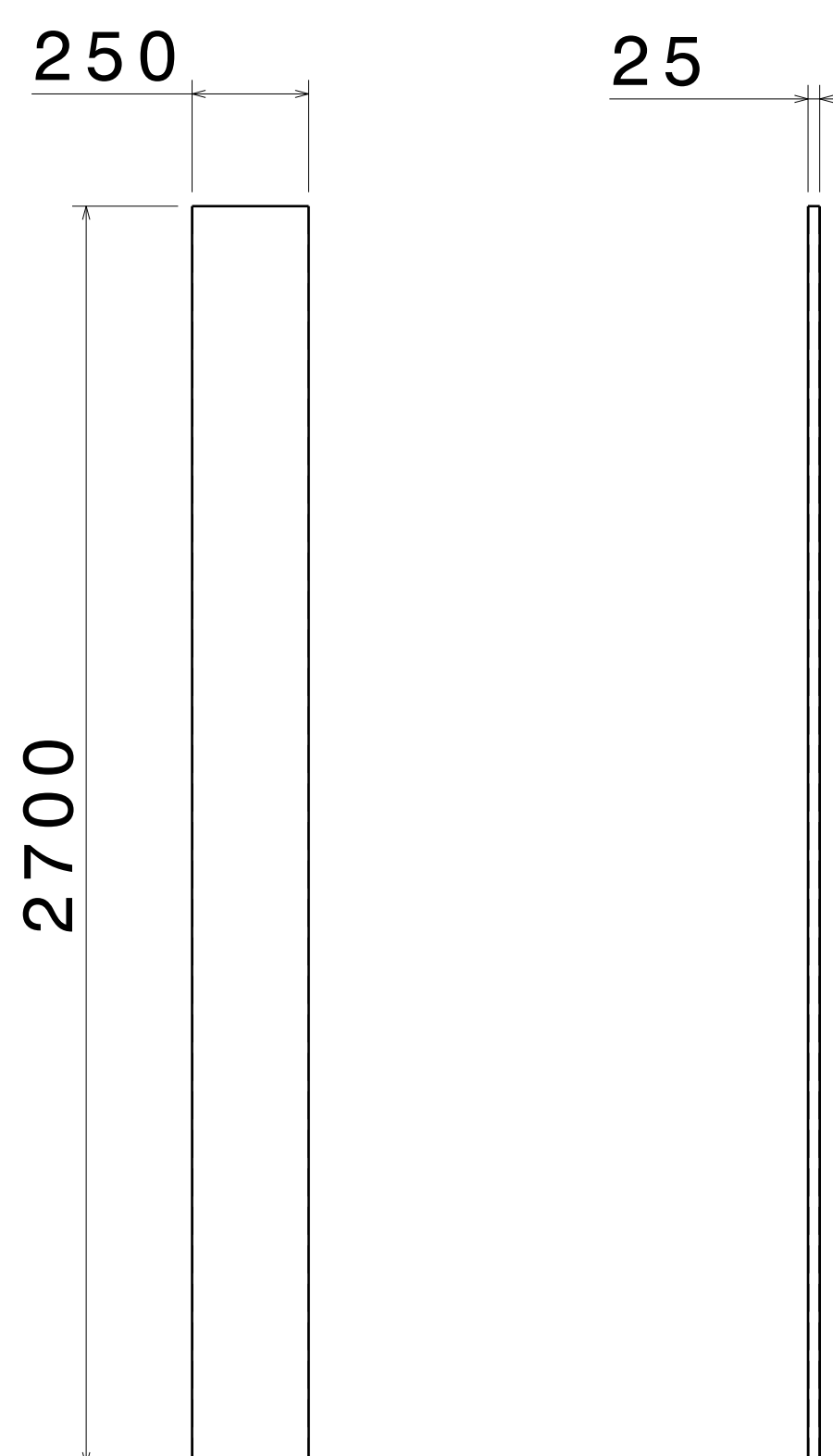
This drawing is our property. It can't be reproduced or communicated without our written agreement.		APL APOLLO TUBES LTD. 	
DRAWN BY SB		DATE 14OCT2020	
CHECKED BY P2P Analysis & Solutions		DATE 14OCT2020	
DESIGNED BY P2P Analysis & Solutions		DATE 14OCT2020	
DRAWING TITLE DEC 20 12		SIZE A0	DRAWING NUMBER P2P DEC 20 12
SCALE NONE		WEIGHT (kg) XXX	REV 00
		SHEET 2 OF 3	

REV	DATE	DESCRIPTION
00	14OCT2020	INITIAL REVISION



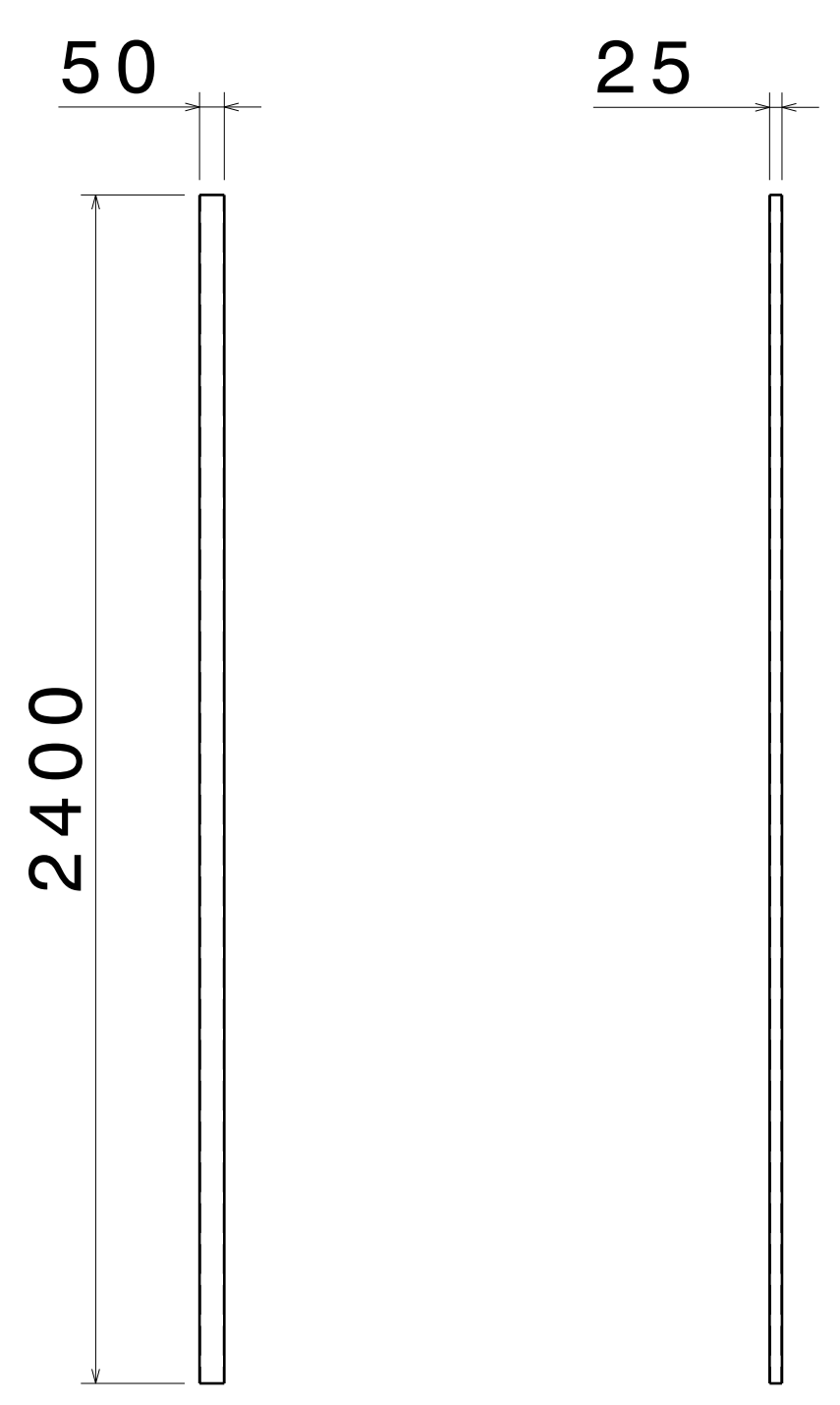
FRONT VIEW RIGHT VIEW  
SCALE: 1:15 SCALE: 1:15

ITEM 1, RHS FRAME 1  
THICKNESS - 2.6MM



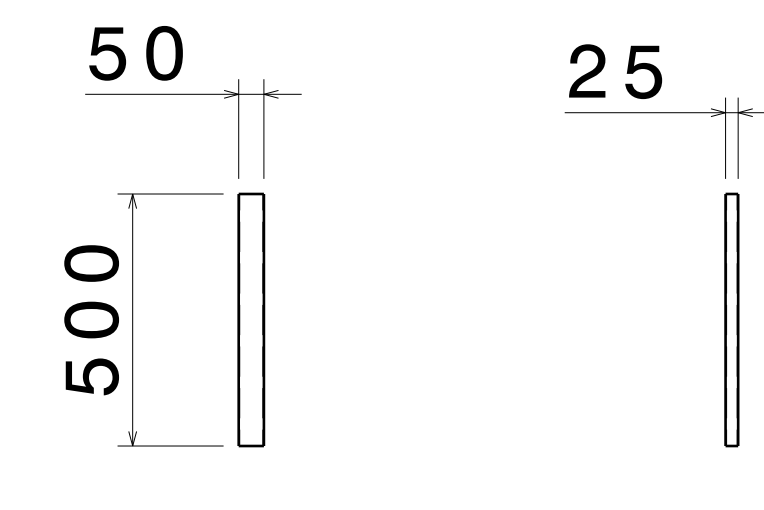
FRONT VIEW RIGHT VIEW  
SCALE: 1:15 SCALE: 1:15

ITEM 2, RHS PLANK 1  
THICKNESS - 1.6MM



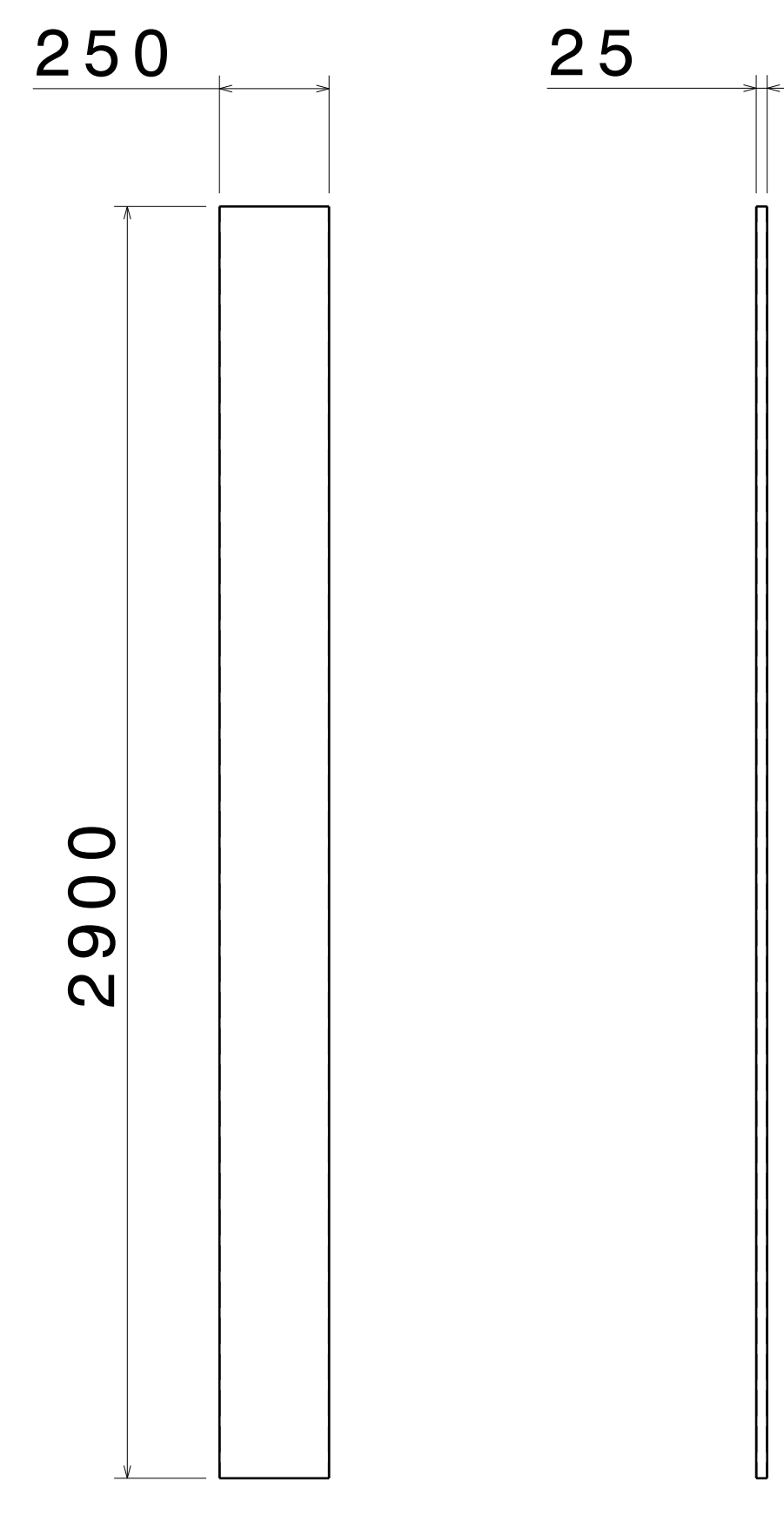
FRONT VIEW RIGHT VIEW  
SCALE: 1:15 SCALE: 1:15

ITEM 3, RHS FRAME 2  
THICKNESS - 2.0MM



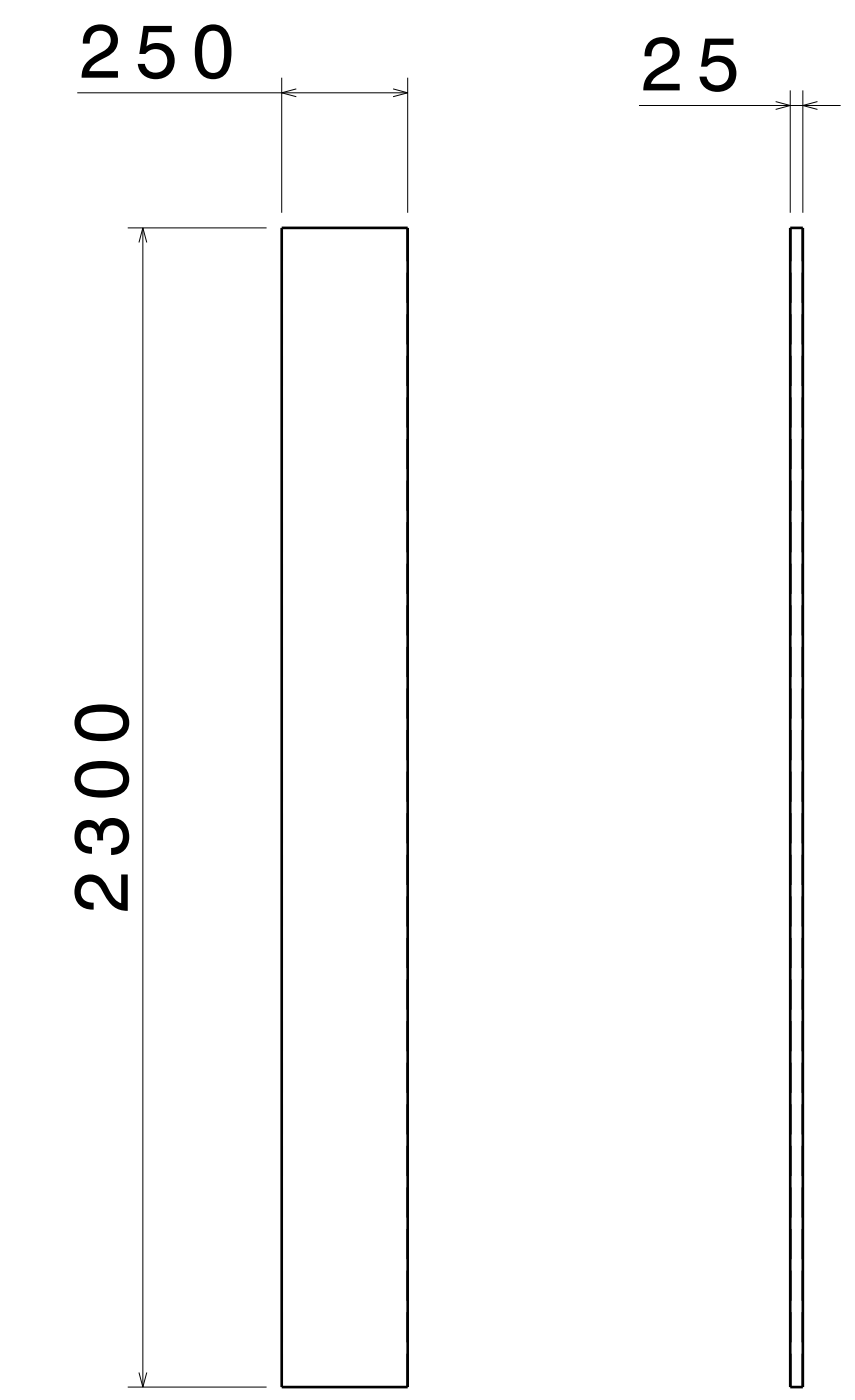
FRONT VIEW RIGHT VIEW  
SCALE: 1:15 SCALE: 1:15

ITEM 4, RHS FRAME 3  
THICKNESS - 2.0MM



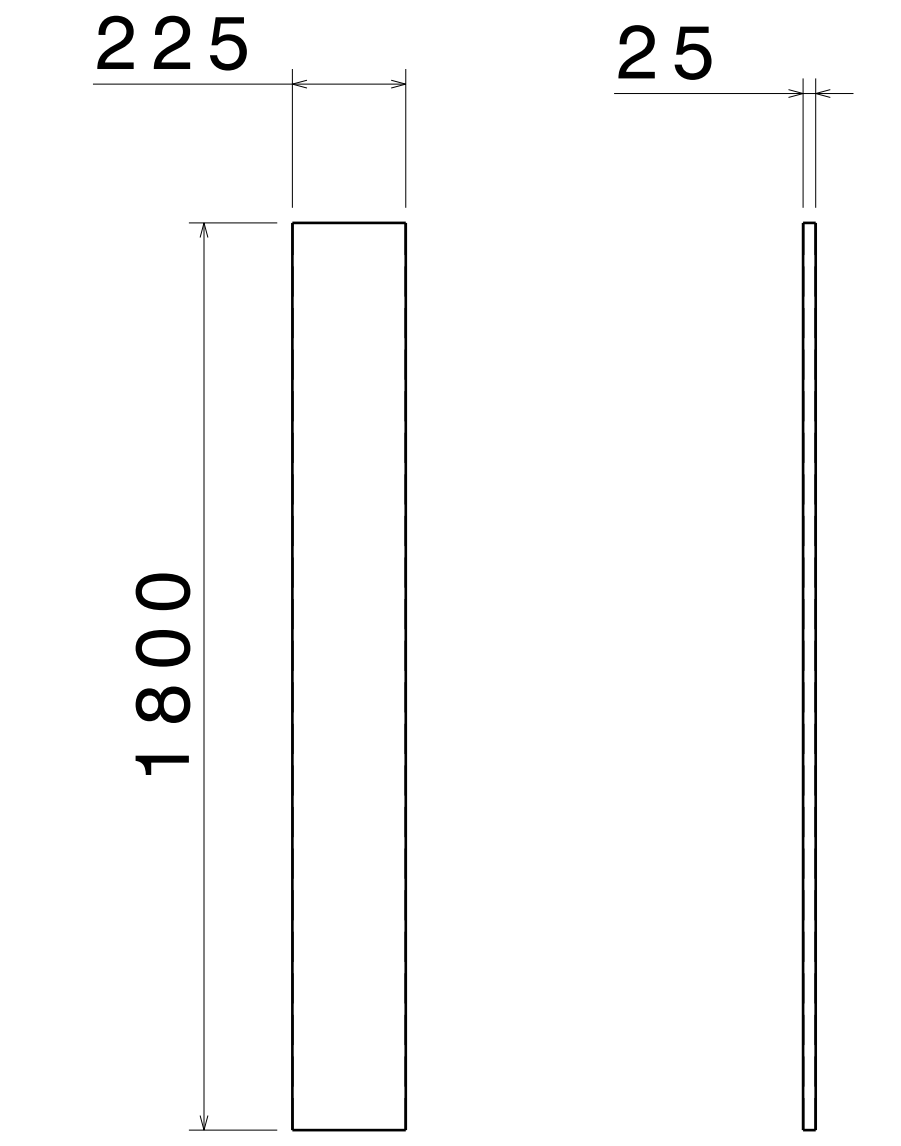
FRONT VIEW RIGHT VIEW  
SCALE: 1:15 SCALE: 1:15

ITEM 5, RHS PLANK 2  
THICKNESS - 1.6MM



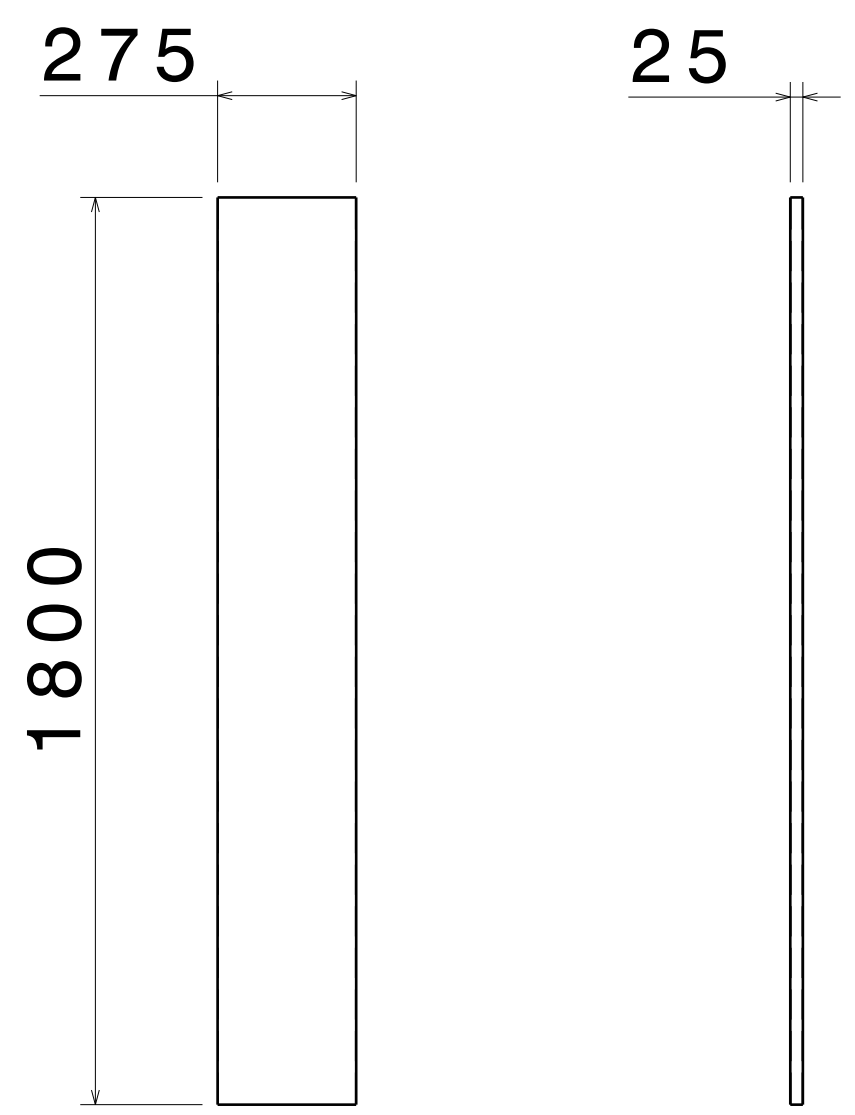
FRONT VIEW RIGHT VIEW  
SCALE: 1:15 SCALE: 1:15

ITEM 6, RHS PLANK 3  
THICKNESS - 1.6MM



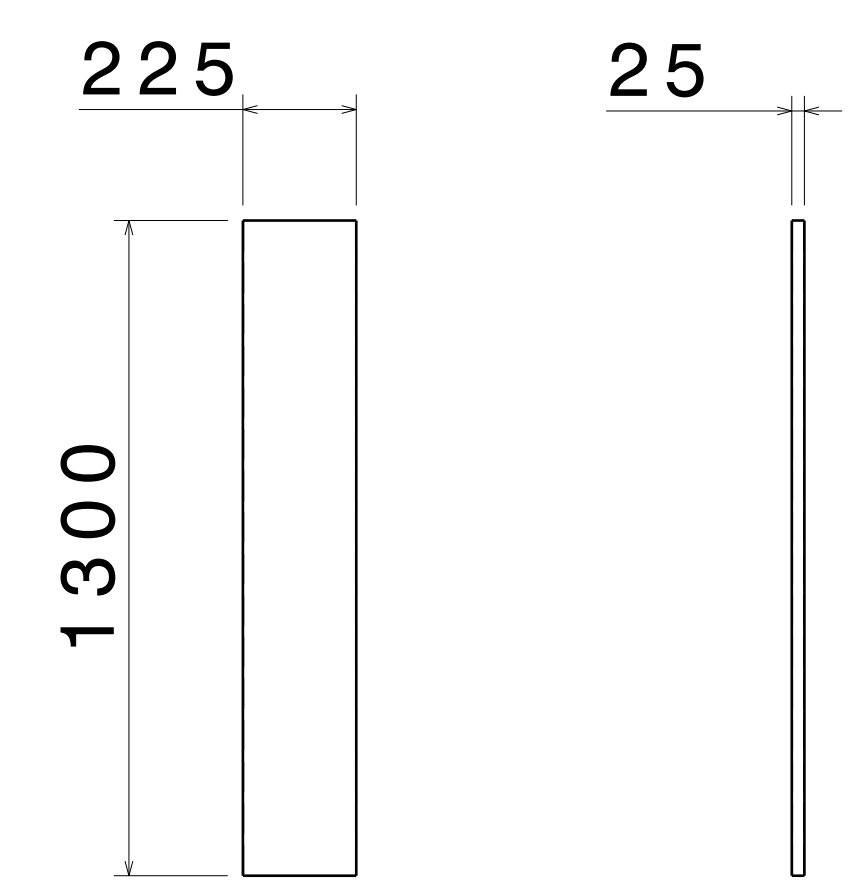
FRONT VIEW RIGHT VIEW  
SCALE: 1:15 SCALE: 1:15

ITEM 7, RHS PLANK 4  
THICKNESS - 1.6MM



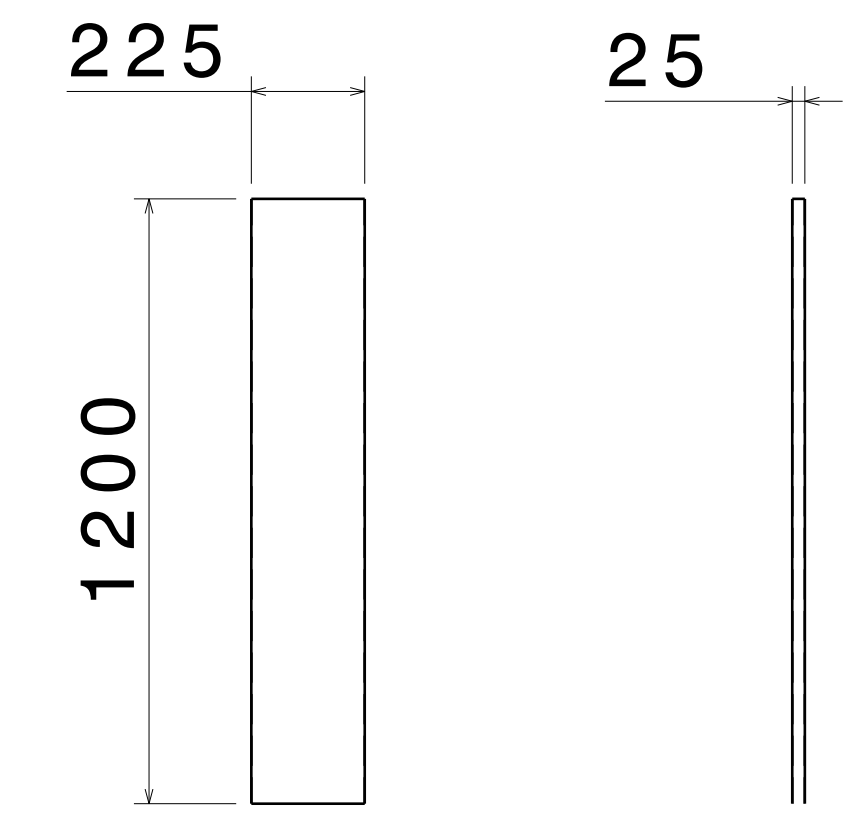
FRONT VIEW RIGHT VIEW  
SCALE: 1:15 SCALE: 1:15

ITEM 8, RHS PLANK 5  
THICKNESS - 1.6MM



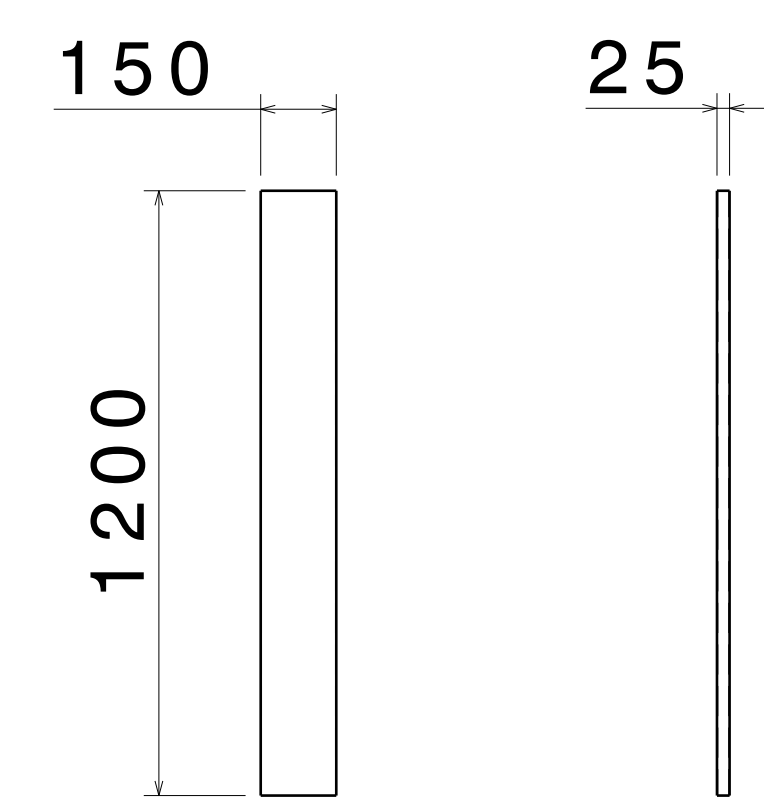
FRONT VIEW RIGHT VIEW  
SCALE: 1:15 SCALE: 1:15

ITEM 9, RHS PLANK 6  
THICKNESS - 1.6MM



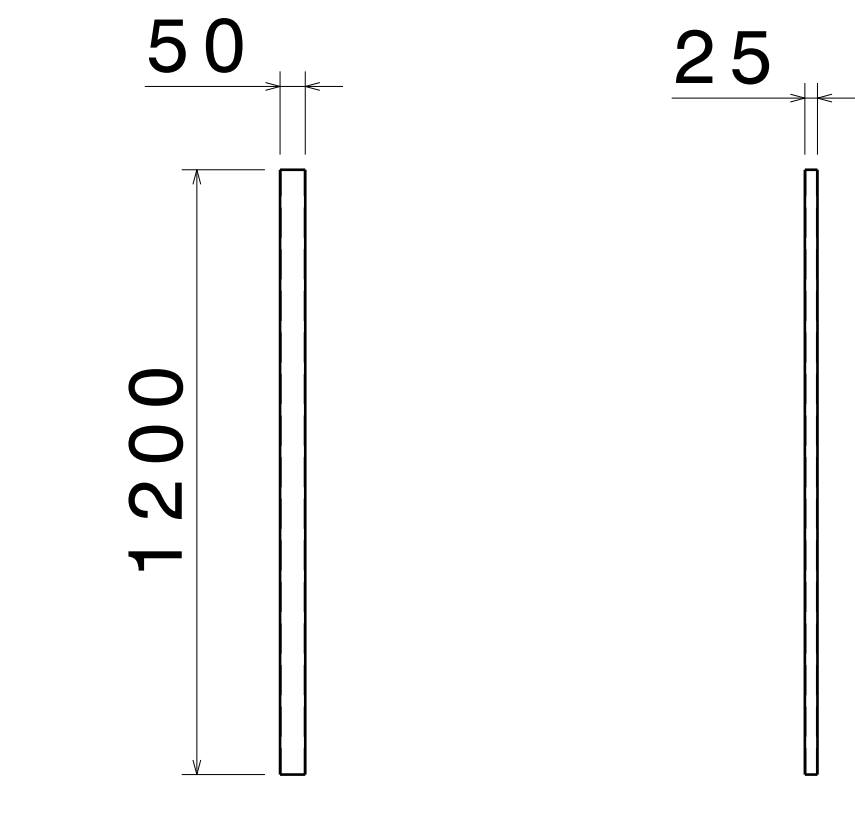
FRONT VIEW RIGHT VIEW  
SCALE: 1:15 SCALE: 1:15

ITEM 10, RHS PLANK 7  
THICKNESS - 1.6MM



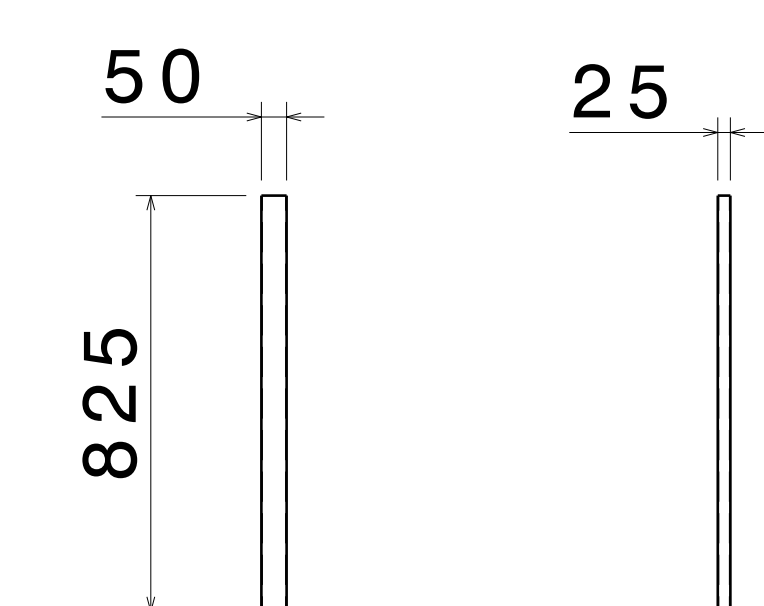
FRONT VIEW RIGHT VIEW  
SCALE: 1:15 SCALE: 1:15

ITEM 11, RHS PLANK 8  
THICKNESS - 1.6MM



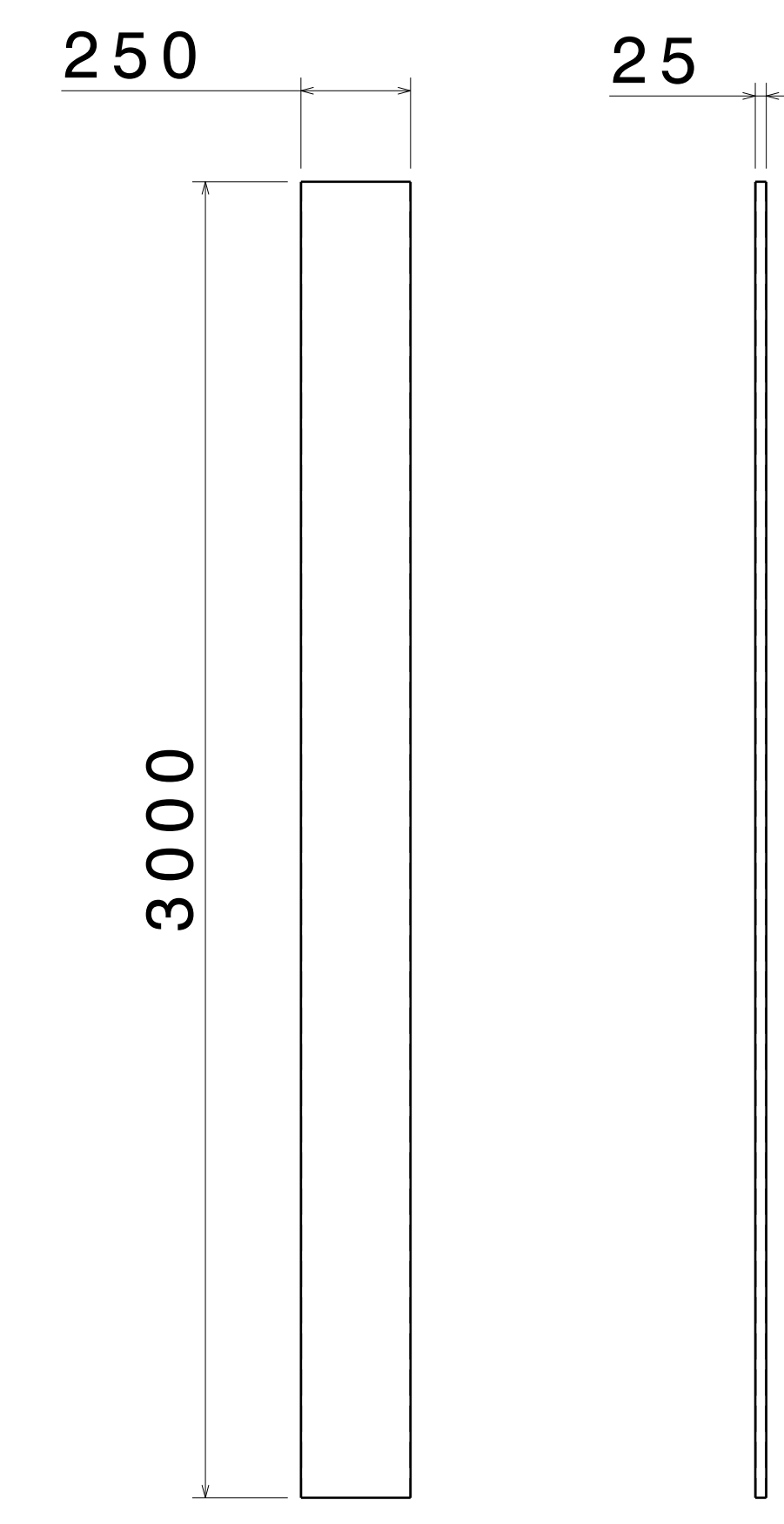
FRONT VIEW RIGHT VIEW  
SCALE: 1:15 SCALE: 1:15

ITEM 12, RHS FRAME 4  
THICKNESS - 2.0MM



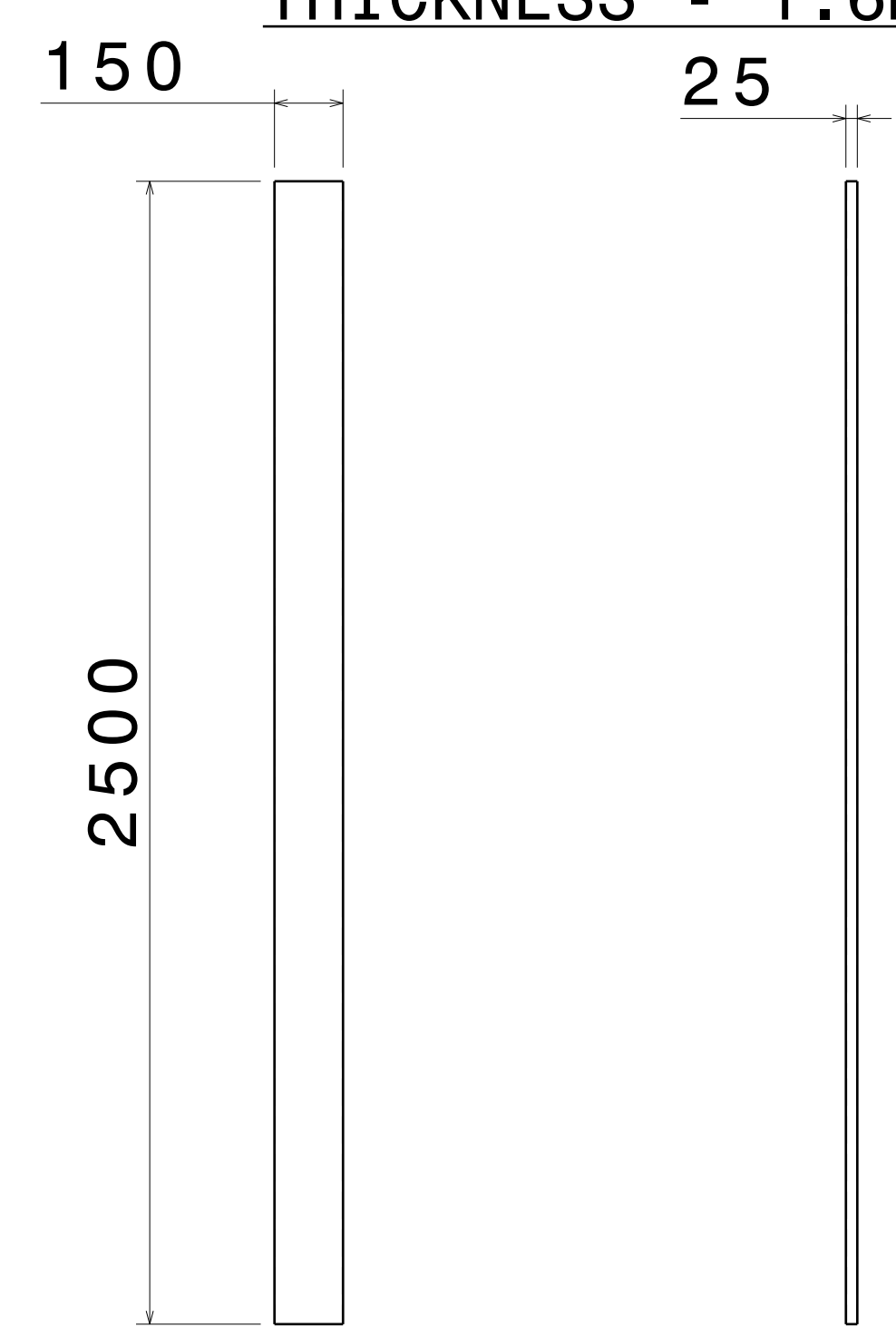
FRONT VIEW RIGHT VIEW  
SCALE: 1:15 SCALE: 1:15

ITEM 13, RHS FRAME 5  
THICKNESS - 2.0MM



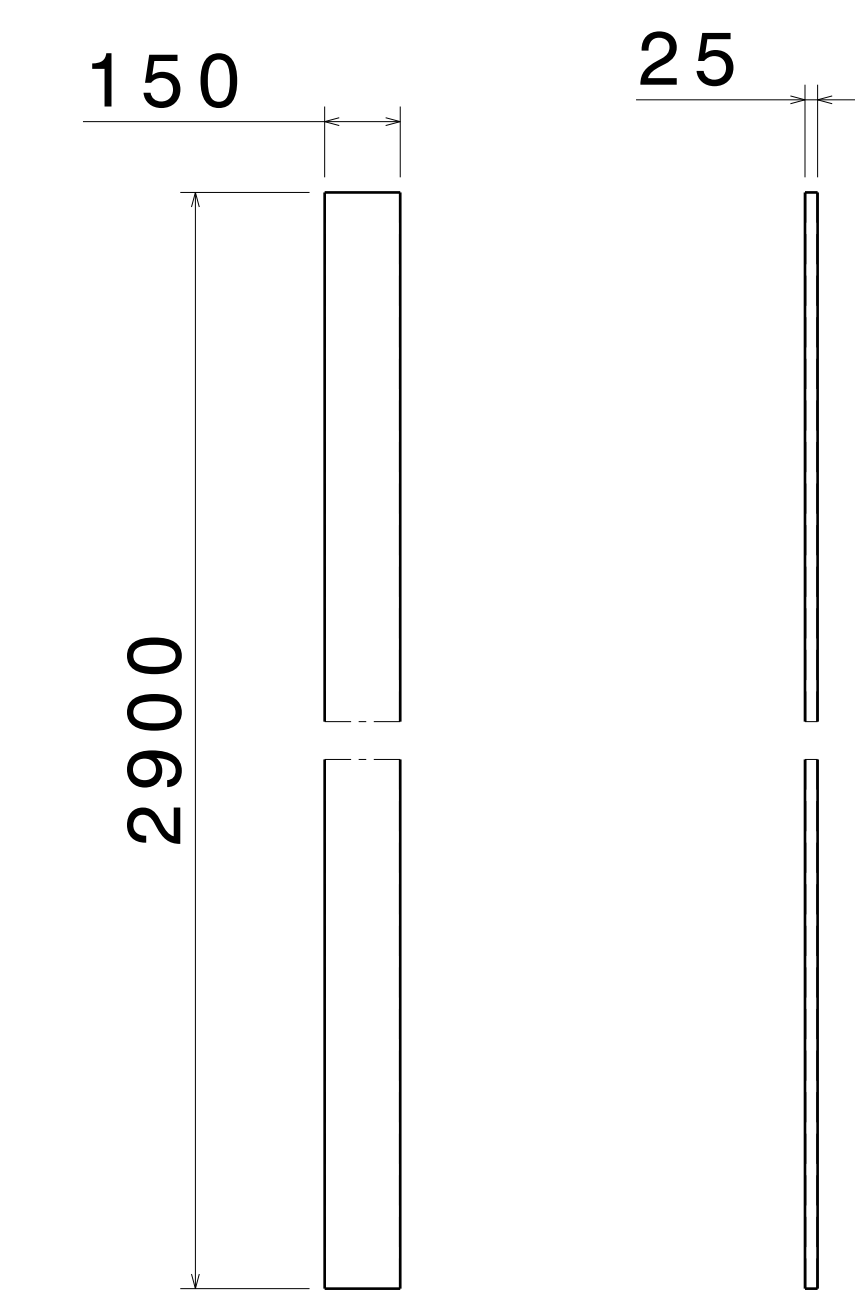
FRONT VIEW RIGHT VIEW  
SCALE: 1:15 SCALE: 1:15

ITEM 14, RHS PLANK 9  
THICKNESS - 1.6MM



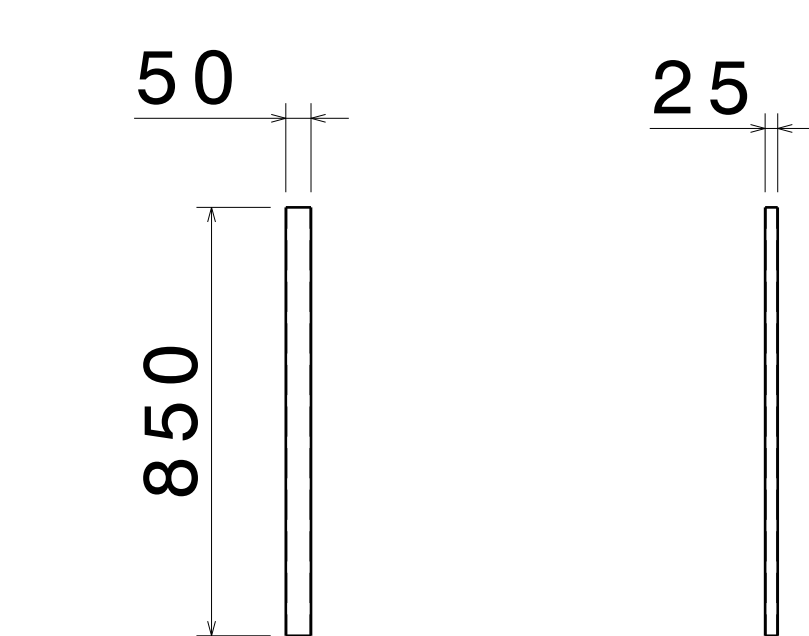
FRONT VIEW RIGHT VIEW  
SCALE: 1:15 SCALE: 1:15

ITEM 15, RHS PLANK 10  
THICKNESS - 1.6MM



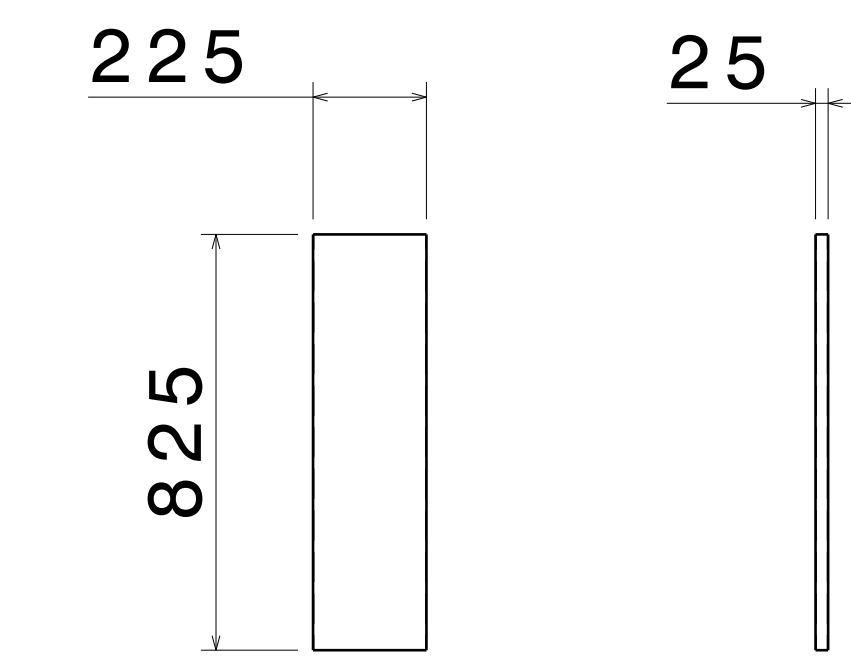
FRONT VIEW RIGHT VIEW  
SCALE: 1:15 SCALE: 1:15

ITEM 16, RHS PLANK 11  
THICKNESS - 1.6MM



FRONT VIEW RIGHT VIEW  
SCALE: 1:15 SCALE: 1:15

ITEM 17, RHS FRAME 6  
THICKNESS - 2.0MM



FRONT VIEW RIGHT VIEW  
SCALE: 1:15 SCALE: 1:15

ITEM 18, RHS PLANK 12  
THICKNESS - 1.6MM

UNLESS OTHERWISE SPECIFIED DIMENSION ARE IN MM VIEWS: THIRD ANGLE PROJECTION

This drawing is our property. It can't be reproduced or communicated without our written agreement.

DRAWN BY	DATE
SB	14OCT2020
CHECKED BY	DATE
P2P Analysis & Solutions	14OCT2020
DESIGNED BY	DATE
P2P Analysis & Solutions	14OCT2020

APL APOLLO TUBES LTD.	
DRAWING TITLE	
DEC 20 12	
SIZE	DRAWING NUMBER
A0	P2P DEC 20 12
SCALE	WEIGHT (kg)
NONE	XXX
SHEET 3 OF 3	