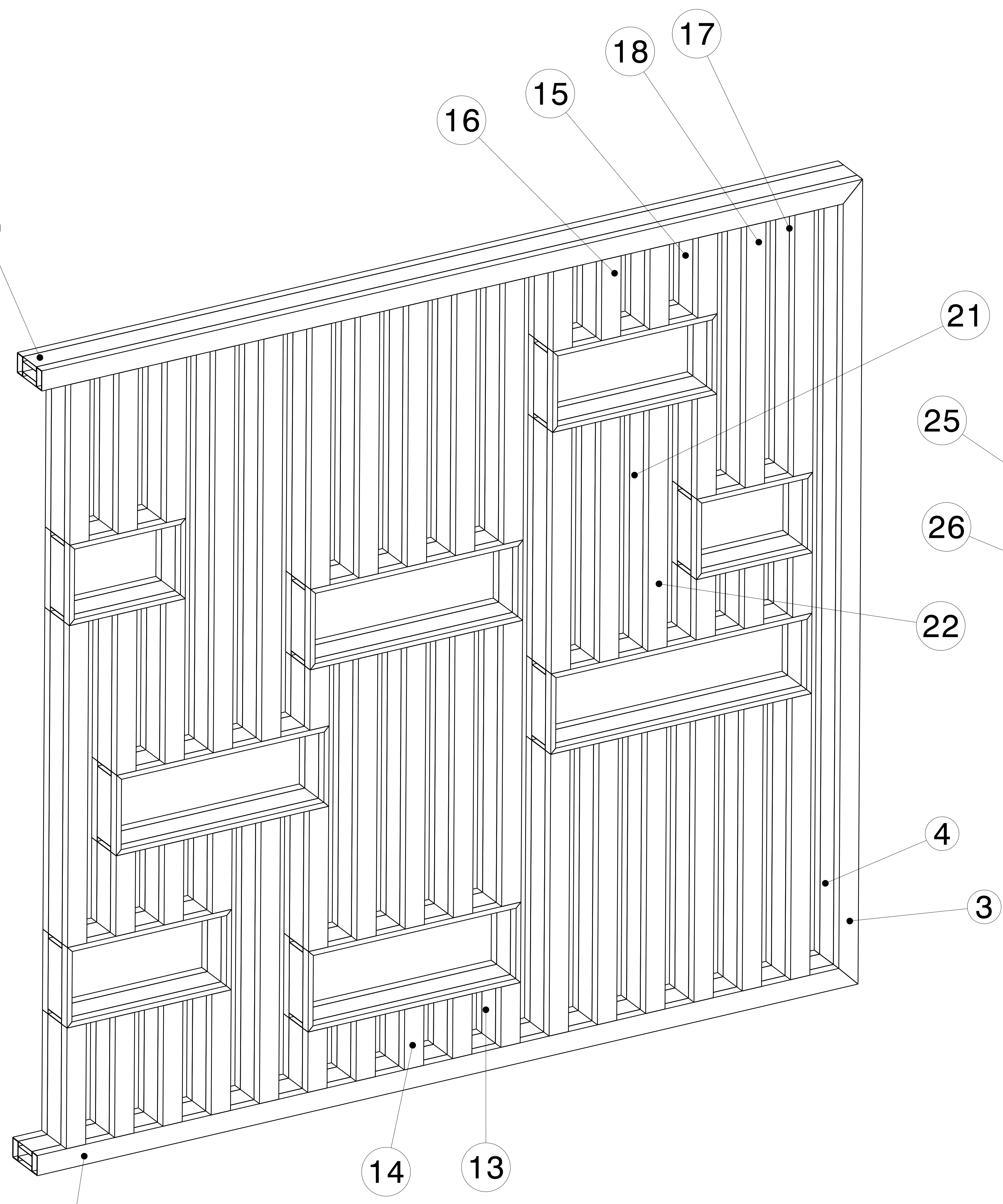
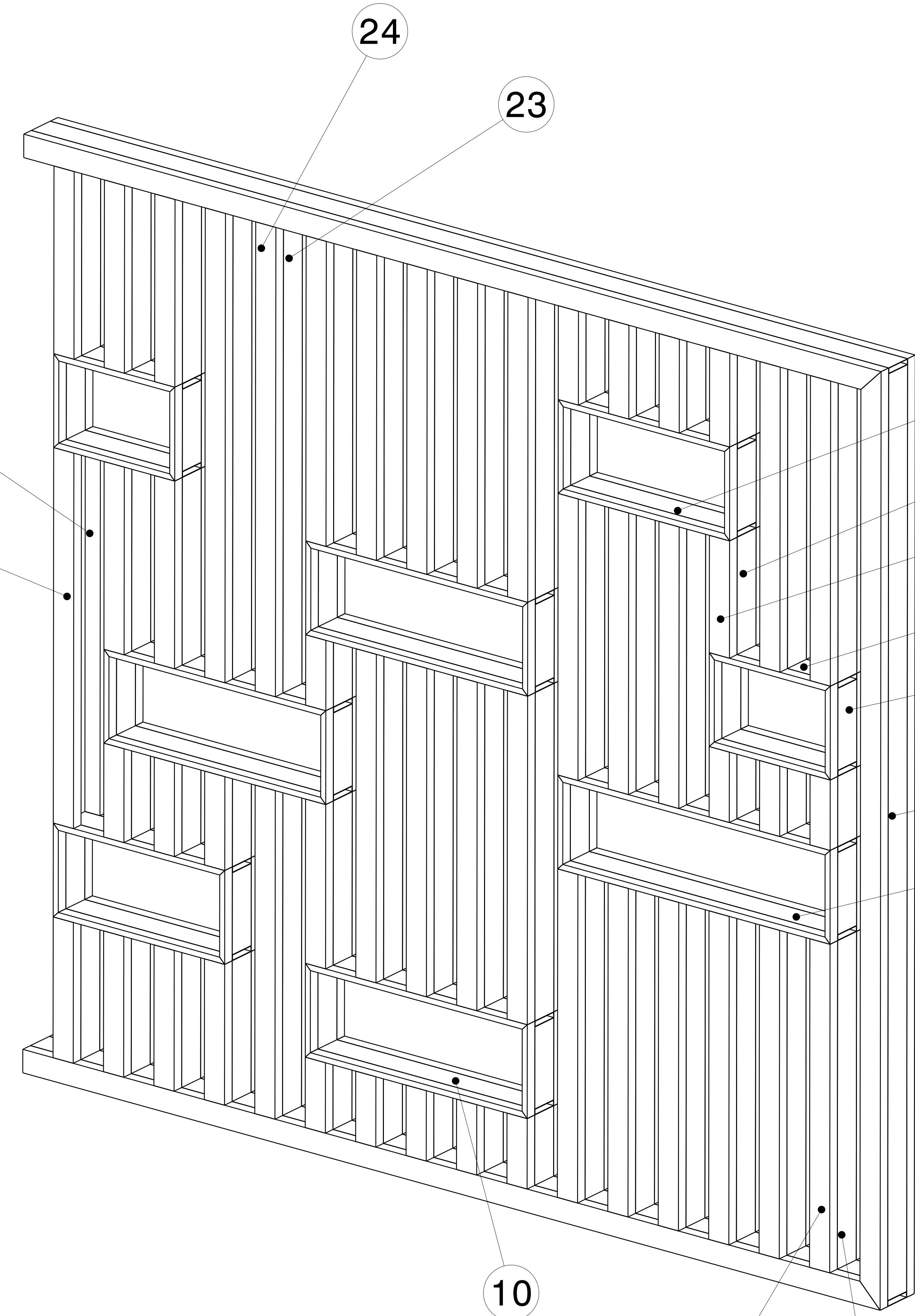


REV	DATE	DESCRIPTION
00	10DEC2020	INITIAL REVISION

- NOTES:
- (⊥) ALL VERTICAL SUPPORTS ARE PERPENDICULAR.
 - FLATNESS OF .5MM IS APPLIED BY DEFAULT.
 - ⊥ WELD BEAD OF 2MM RADIUS IS FOLLOWED.
 - ▽ SURFACE FINISH MEDIUM TO SMOOTH IS USED.
 - ALL TUBES ARE AS PER APL APOLLO STANDARD. CHANGES MAY EFFECT THE LOAD CAPACITY.
 - ALL HORIZONTAL AND VERTICAL TUBES ARE PERPENDICULAR TO EACH OTHER WITH ±1 DEG.
 - FINE WELDING IS REQUIRED AS PER MENTIONED DETAILS AND FINISHING.
 - HIGHER CURRENT WELDING MAY AFFECT THE BRITTLENESS OF MATERIAL WHICH LATER MAY RAISE TO WEAKENING OF STRUCTURE.
 - FABRICATORS ARE ALLOWED TO USE FITTINGS/FRAMES/SUPPORTS AS NEEDED AND THE SAME MUST BE COMMUNICATED BACK TO ENGINEERING TEAM.
 - BOP COMPONENT WEIGHTS ARE FOR REFERENCE ONLY AND SUBJECTED TO CHANGE PER PURCHASED COMPONENTS.



ISOMETRIC VIEW
SCALE: 1:10



ISOMETRIC VIEW
SCALE: 1:10

ITEM NO.	PART NUMBER	DESCRIPTION	QTY.	Wt (Kg)/Each
30	RHS FRAME 12	100 X 50 X 3.6 X 700	2	5.66
29	RHS PLANK 18	125 X 25 X 1.6 X 700	2	2.58
28	RHS FRAME 11	100 X 50 X 3.6 X 800	10	6.47
27	RHS PLANK 17	125 X 25 X 1.6 X 800	10	2.95
26	RHS FRAME 10	100 X 50 X 3.6 X 1600	2	12.93
25	RHS PLANK 16	125 X 25 X 1.6 X 1600	2	5.91
24	RHS FRAME 9	100 X 50 X 3.6 X 2000	4	16.16
23	RHS PLANK 15	125 X 25 X 1.6 X 2000	4	7.38
22	RHS FRAME 8	100 X 50 X 3.6 X 1200	6	9.7
21	RHS PLANK 14	125 X 25 X 1.6 X 1200	6	4.43
20	RHS FRAME 7	100 X 50 X 3.6 X 500	2	4.04
19	RHS PLANK 13	125 X 25 X 1.6 X 500	2	1.85
18	RHS FRAME 6	100 X 50 X 3.6 X 1300	14	10.51
17	RHS PLANK 12	125 X 25 X 1.6 X 1300	14	4.8
16	RHS FRAME 5	100 X 50 X 3.6 X 400	14	3.23
15	RHS PLANK 11	125 X 25 X 1.6 X 400	14	1.49
14	RHS FRAME 4	100 X 50 X 3.6 X 300	18	2.42
13	RHS PLANK 10	125 X 25 X 1.6 X 300	18	1.11
12	RHS FRAME 3	100 X 50 X 3.6 X 1400	22	11.31
11	RHS PLANK 9	125 X 25 X 1.6 X 1400	22	5.17
10	RHS PLANK 8	125 X 25 X 1.6 X 1100	6	4.06
9	RHS PLANK 7	125 X 25 X 1.6 X 850	4	3.14
8	RHS PLANK 6	125 X 25 X 1.6 X 1350	2	4.98
7	RHS PLANK 5	125 X 25 X 1.6 X 600	12	2.22
6	RHS PLANK 4	125 X 25 X 1.6 X 350	16	1.29
5	RHS PLANK 3	125 X 25 X 1.6 X 3950	1	14.58
4	RHS FRAME 2	125 X 25 X 1.6 X 3800	1	14.03
3	RHS FRAME 2	100 X 50 X 3.6 X 4000	2	31.52
2	RHS PLANK 1	125 X 25 X 1.6 X 4250	2	15.69
1	RHS FRAME 1	100 X 50 X 3.6 X 4250	4	33.94

This drawing is our property. It can't be reproduced or communicated without our written agreement.

APL APOLLO TUBES LTD.

DRAWING TITLE: DEC 20_4

DRAWN BY: VM DATE: 10DEC2020

CHECKED BY: P2P Analysis & Solutions DATE: 10DEC2020

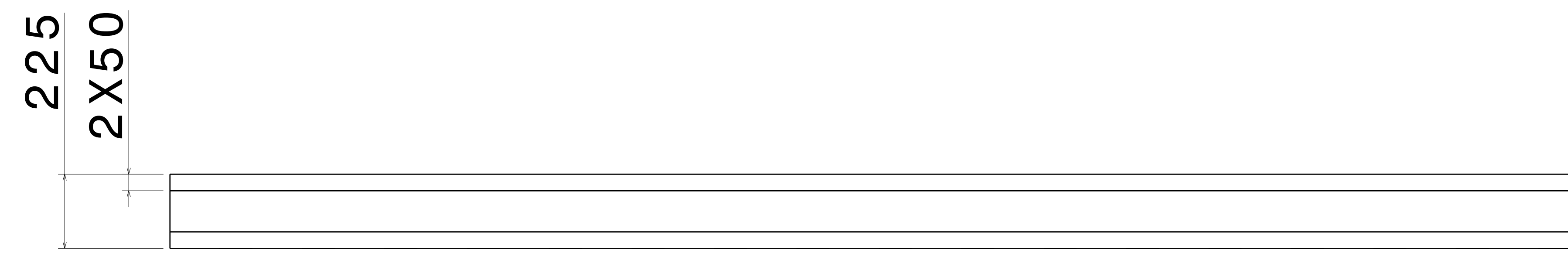
DESIGNED BY: P2P Analysis & Solutions DATE: 10DEC2020

SIZE: A0 DRAWING NUMBER: P2P_DEC 20_4 REV: 00

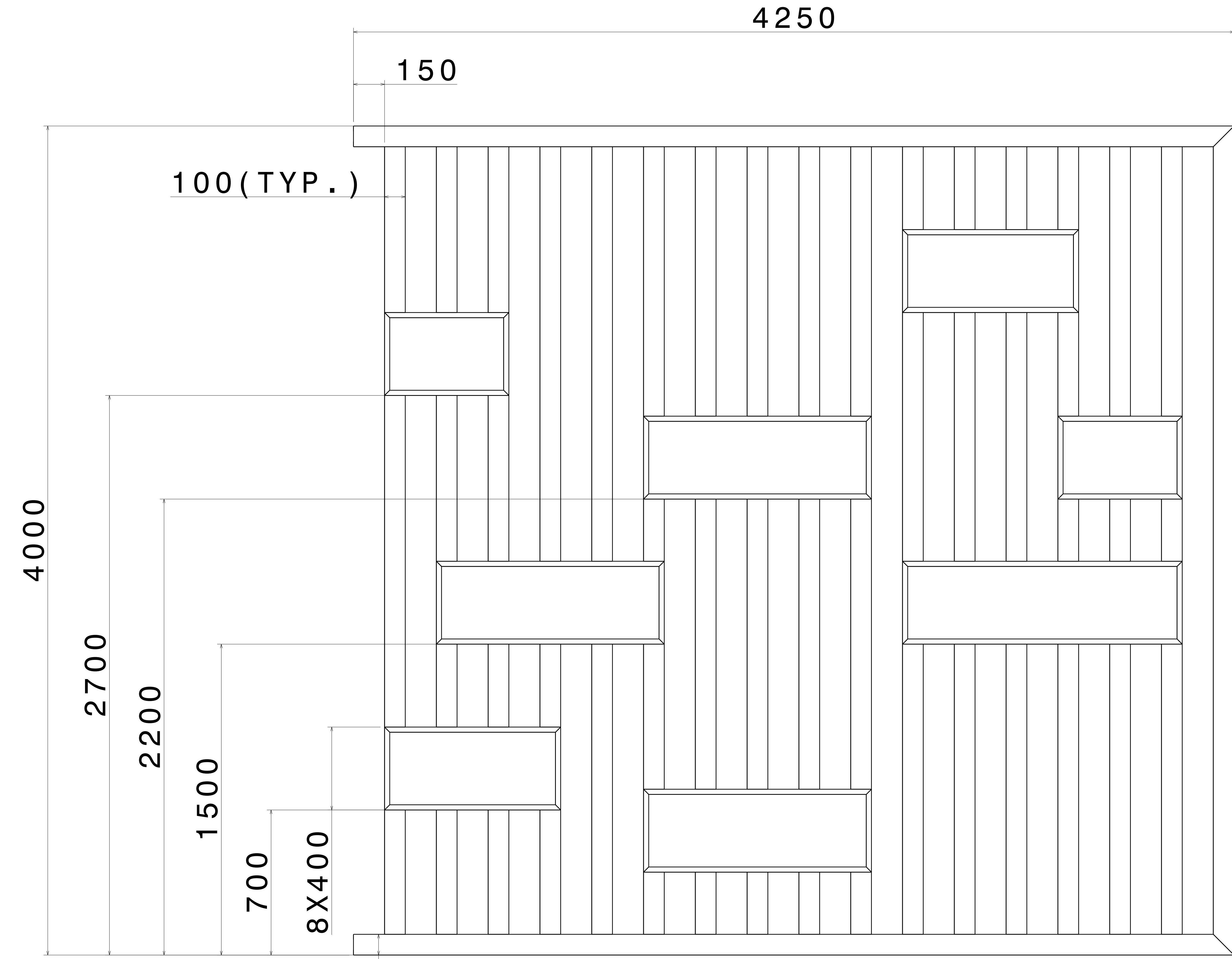
SCALE: As Indicated WEIGHT (kg): Okg SHEET 1 OF 4

UNLESS OTHERWISE SPECIFIED DIMENSION ARE IN MM VIEWS: THIRD ANGLE PROJECTION

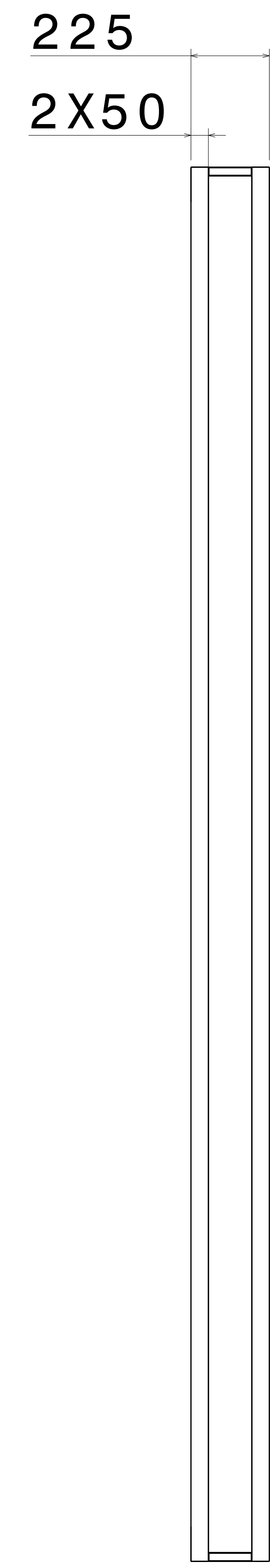
REV	DATE	DESCRIPTION
00	10DEC2020	INITIAL REVISION



TOP VIEW
SCALE: 1:10



FRONT VIEW
SCALE: 1:10

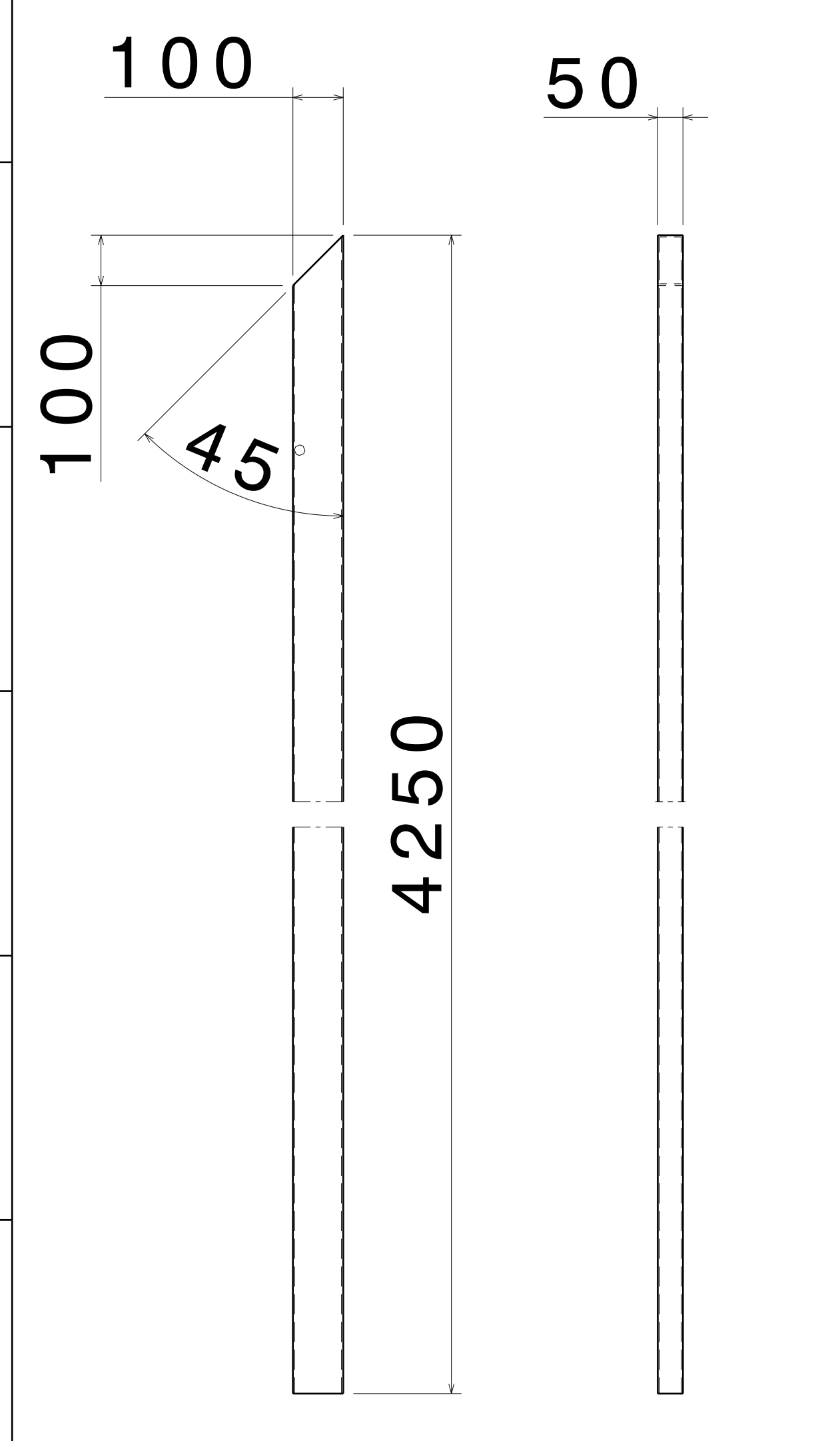


RIGHT VIEW
SCALE: 1:10

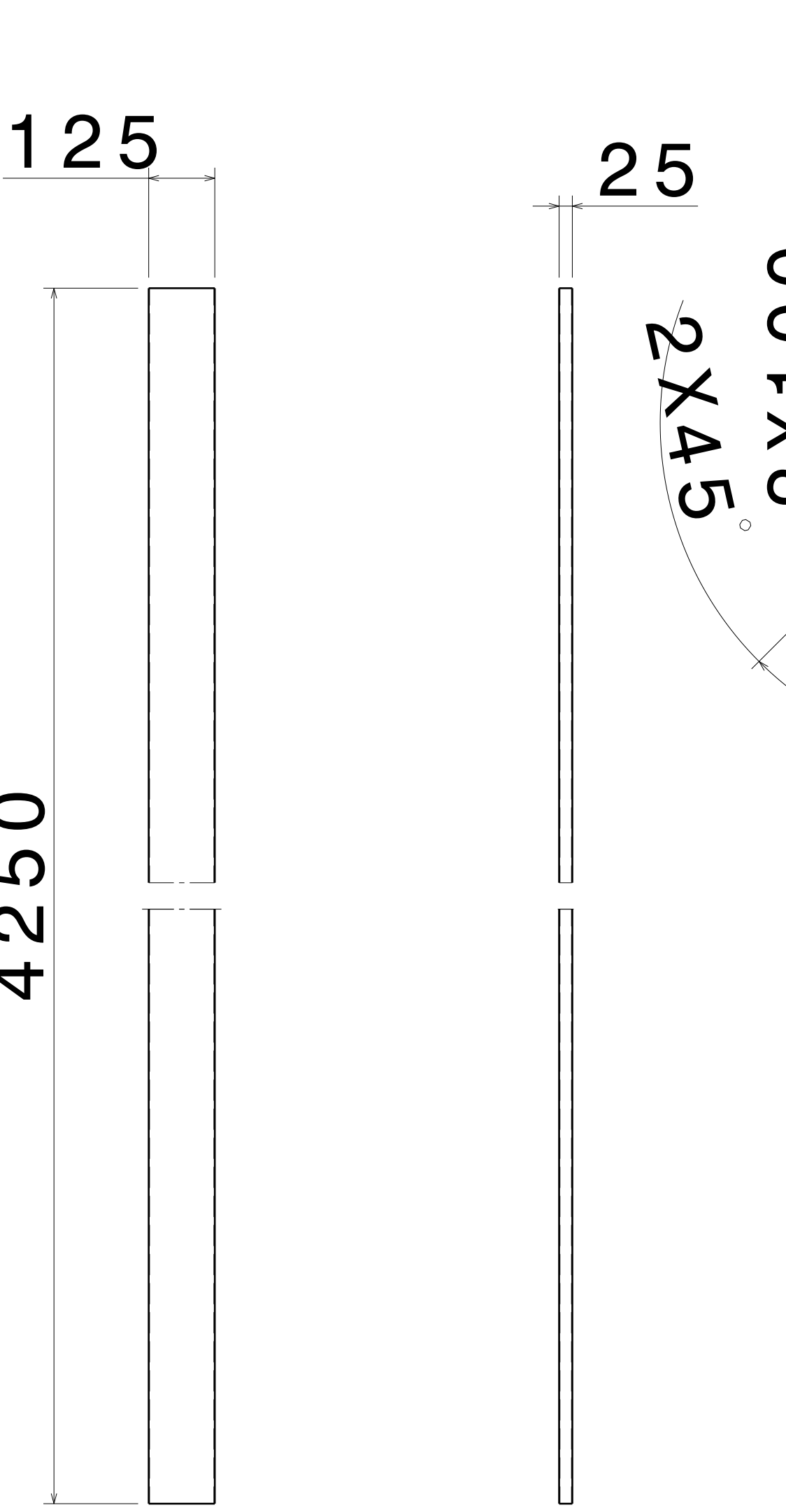
UNLESS OTHERWISE SPECIFIED DIMENSION ARE IN MM
VIEWS: THIRD ANGLE PROJECTION

This drawing is our property. It can't be reproduced or communicated without our written agreement.		APL APOLLO TUBES LTD.	
DRAWN BY SB		DATE 10DEC2020	
CHECKED BY P2P Analysis & Solutions		DATE 10DEC2020	
DESIGNED BY P2P Analysis & Solutions		DATE 10DEC2020	
DRAWING TITLE DEC 20 4		SIZE A0	DRAWING NUMBER P2P_DEC 20 4
SCALE NONE		WEIGHT (kg) XXX	REV 00
		SHEET 2 OF 4	

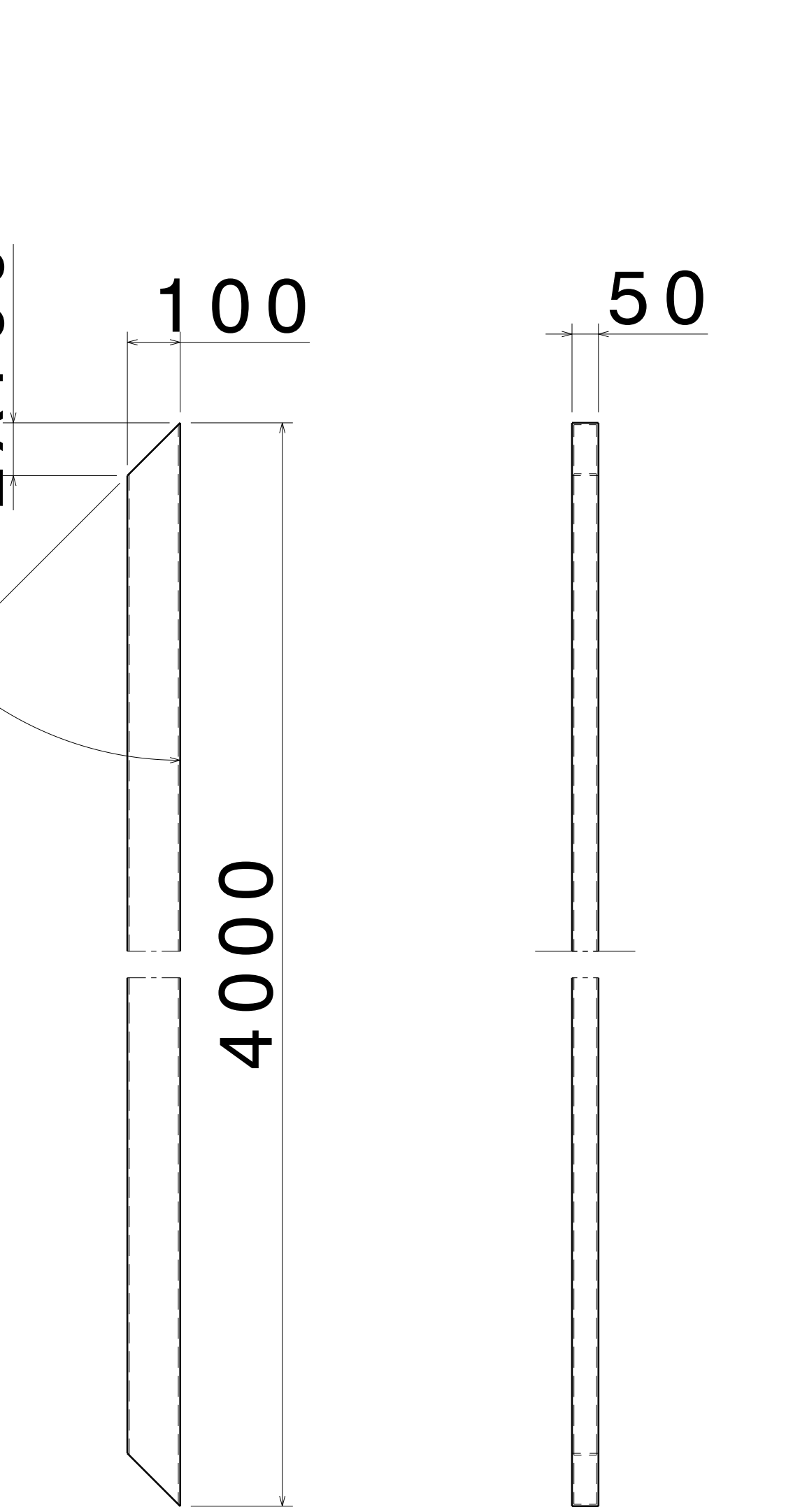
REV	DATE	DESCRIPTION
00	10DEC2020	INITIAL REVISION



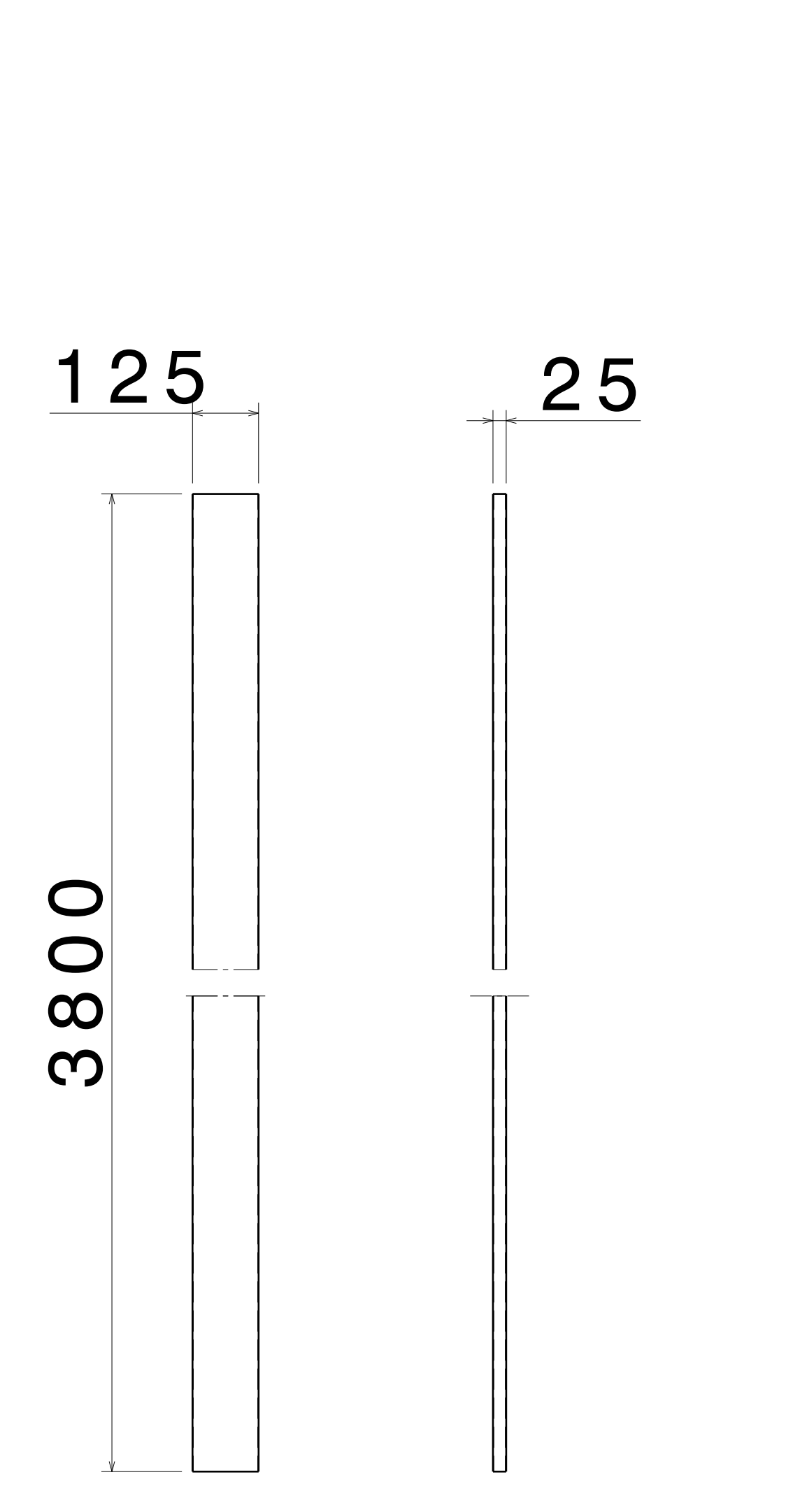
FRONT VIEW RIGHT VIEW
SCALE: 1:10 SCALE: 1:10
ITEM 1, RHS FRAME 1
THICKNESS - 3.6MM



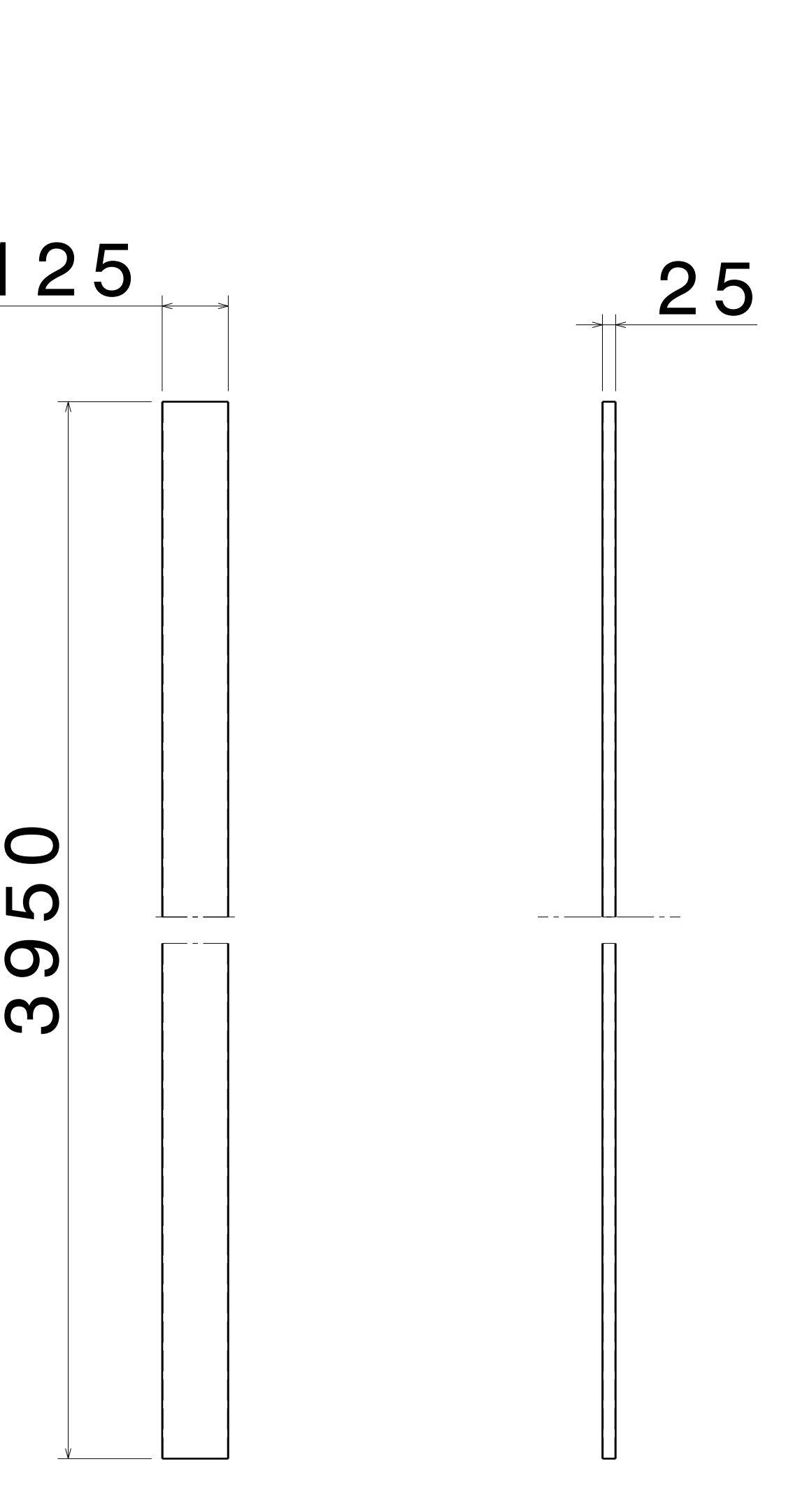
FRONT VIEW RIGHT VIEW
SCALE: 1:10 SCALE: 1:10
ITEM 2, RHS PLANK 1
THICKNESS - 1.6MM



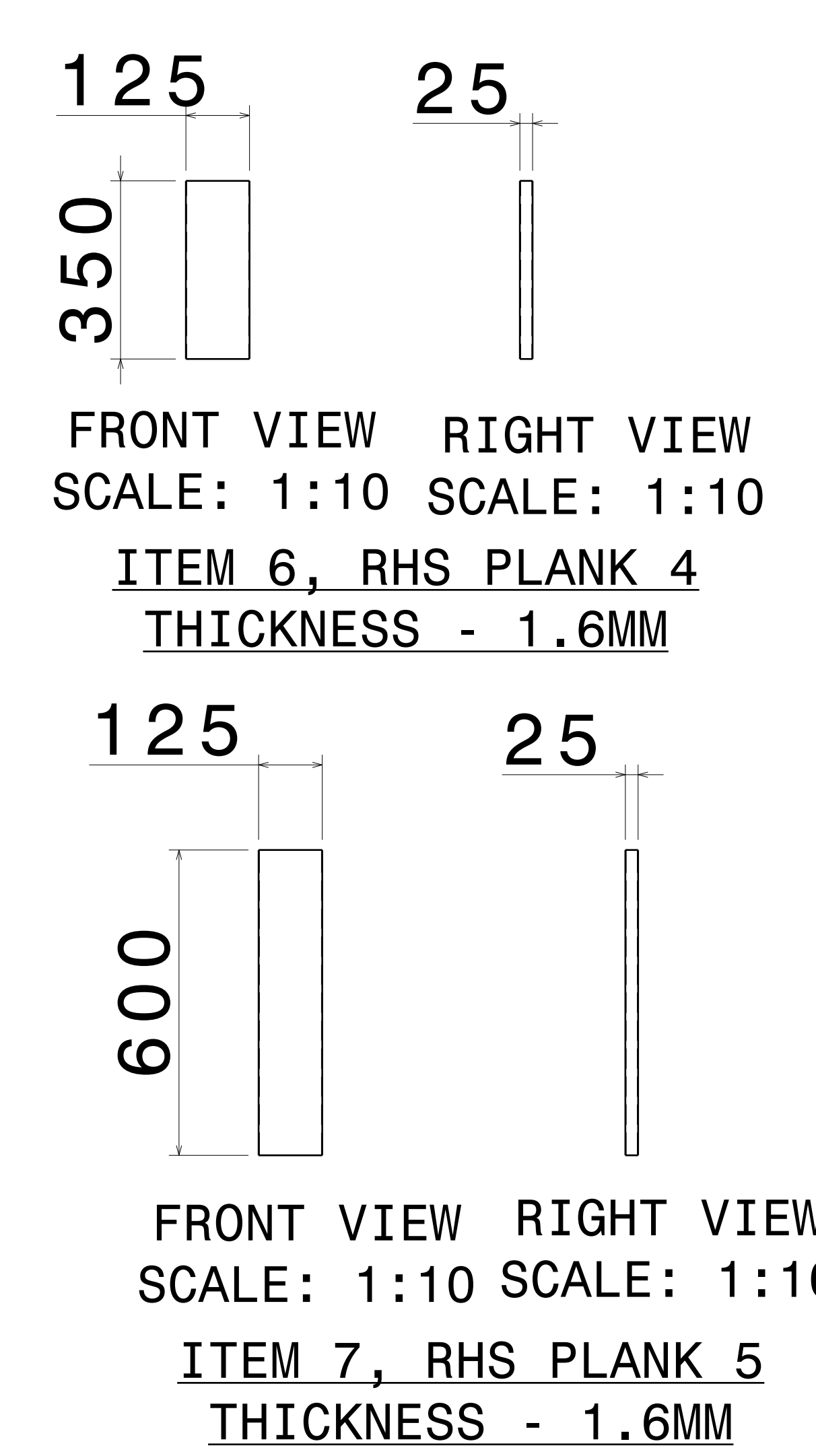
FRONT VIEW RIGHT VIEW
SCALE: 1:10 SCALE: 1:10
ITEM 3, RHS FRAME 2
THICKNESS - 3.6MM



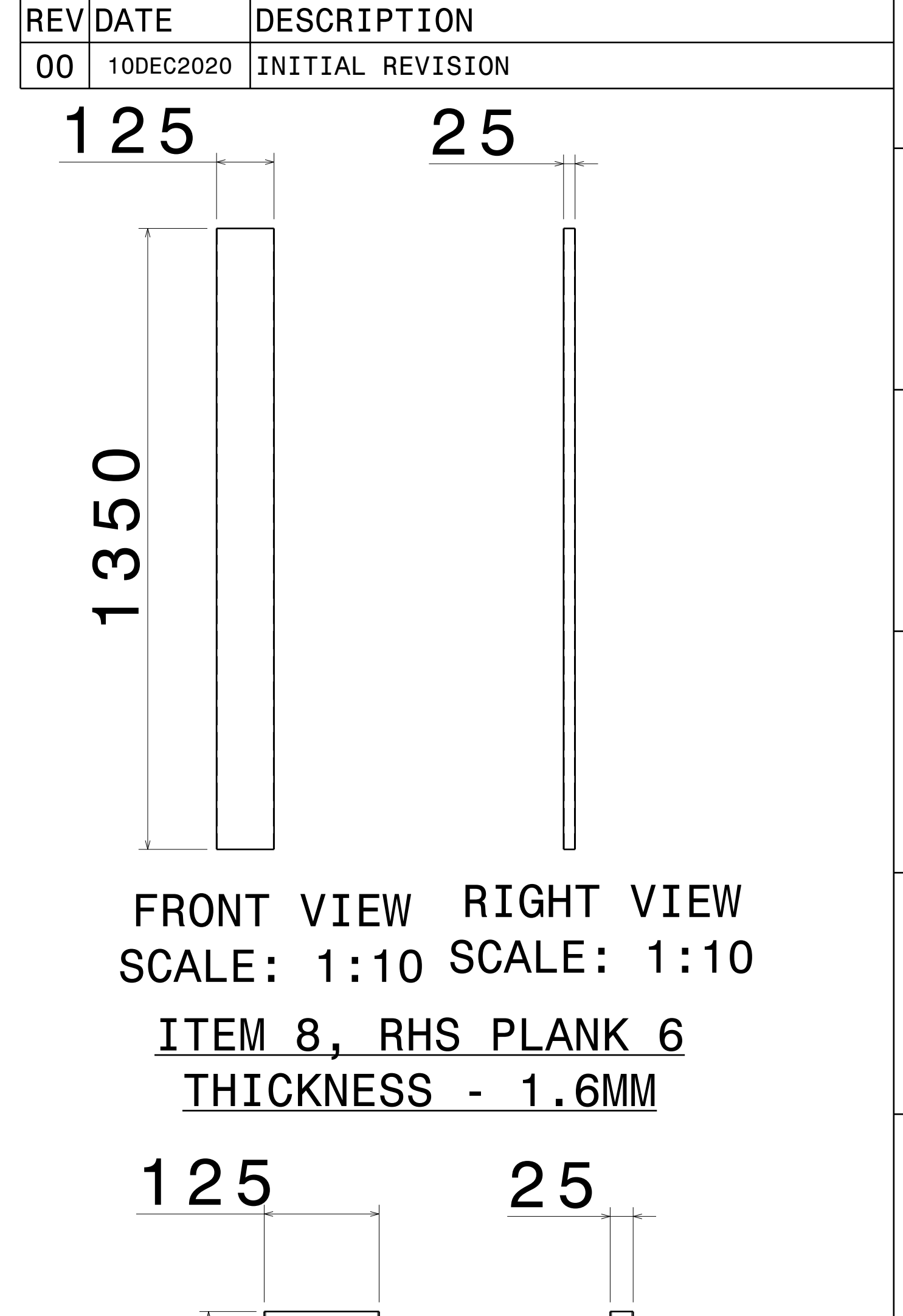
FRONT VIEW RIGHT VIEW
SCALE: 1:10 SCALE: 1:10
ITEM 4, RHS PLANK 2
THICKNESS - 1.6MM



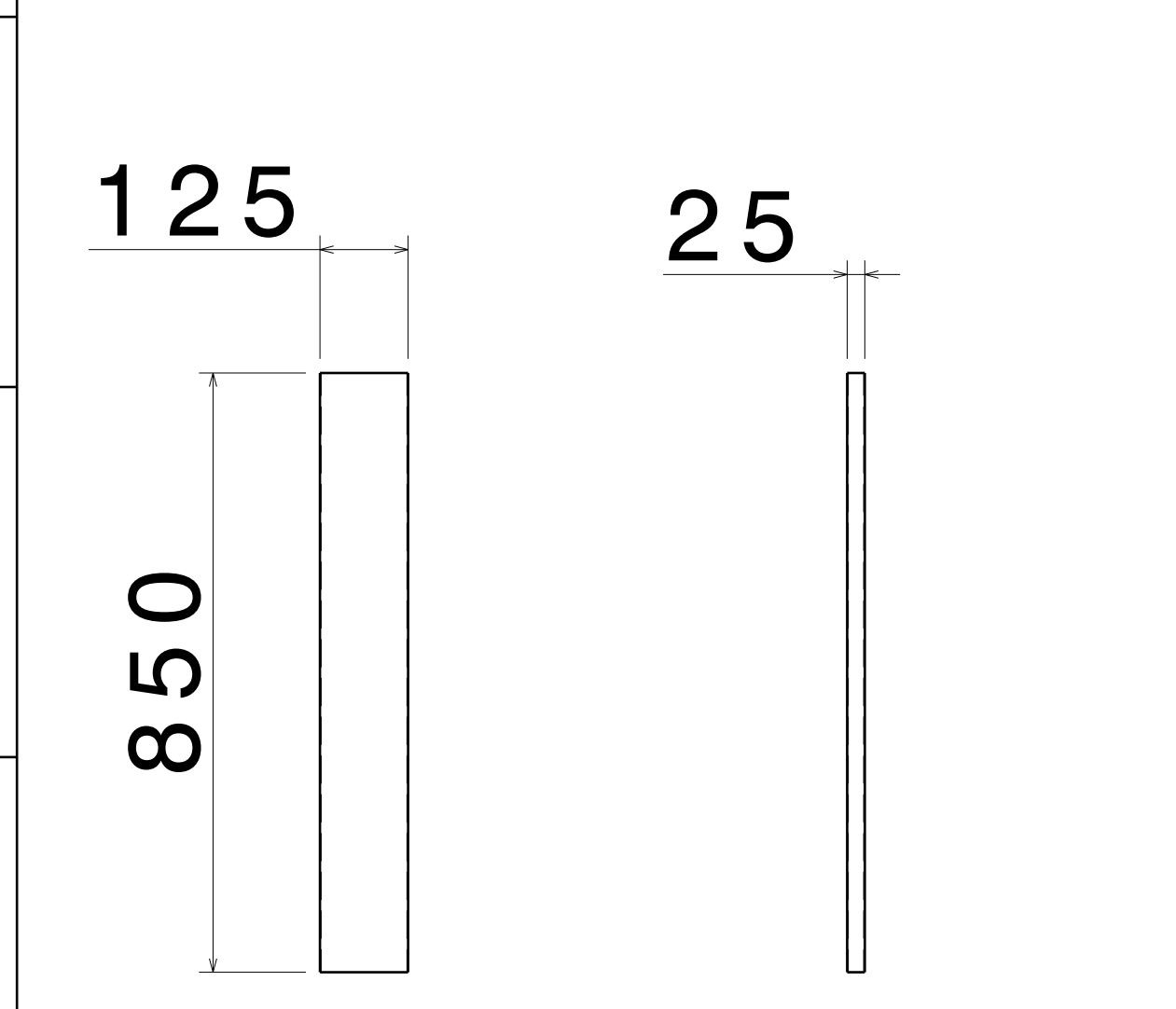
FRONT VIEW RIGHT VIEW
SCALE: 1:10 SCALE: 1:10
ITEM 5, RHS PLANK 3
THICKNESS - 1.6MM



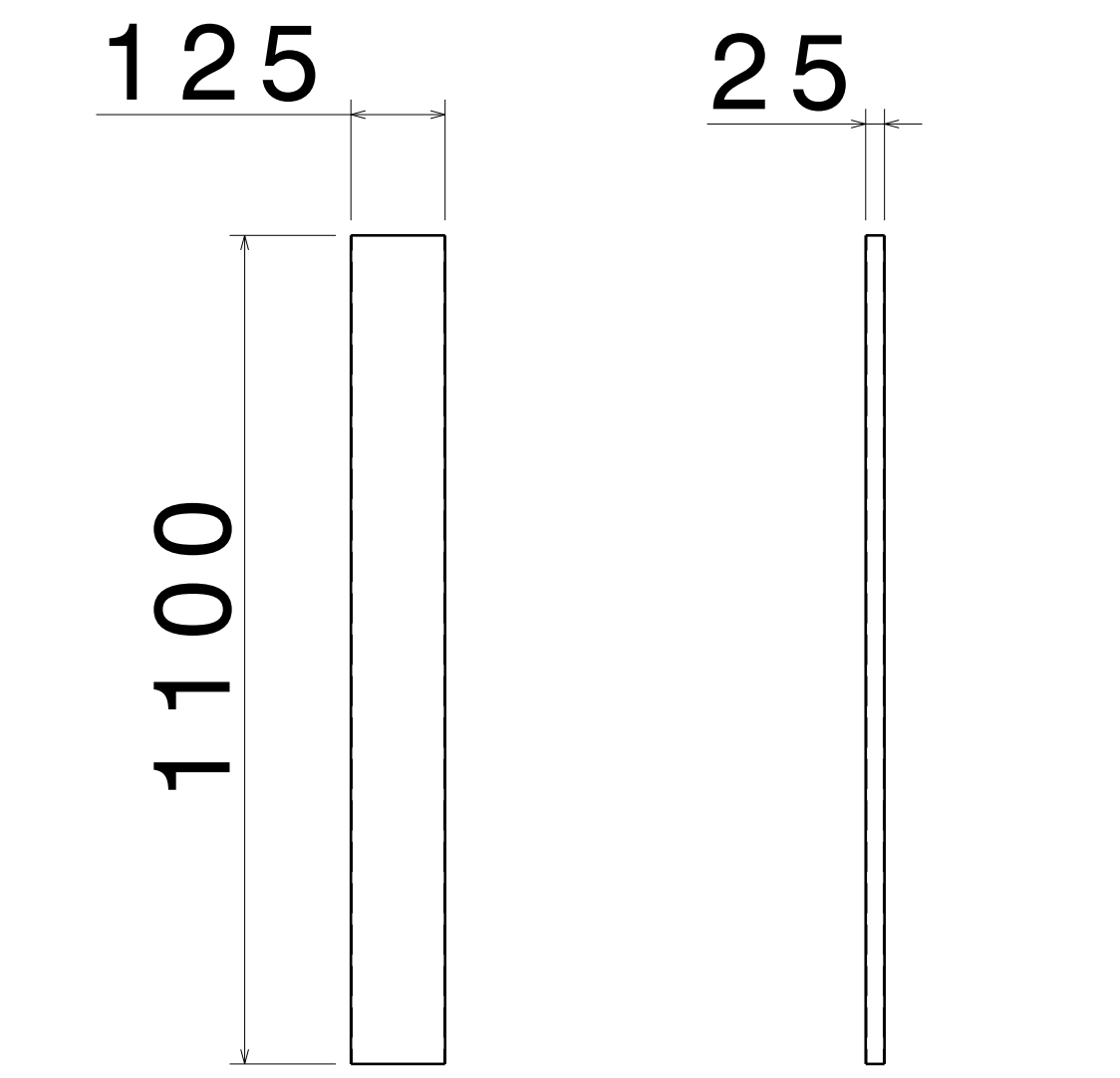
FRONT VIEW RIGHT VIEW
SCALE: 1:10 SCALE: 1:10
ITEM 6, RHS PLANK 4
THICKNESS - 1.6MM



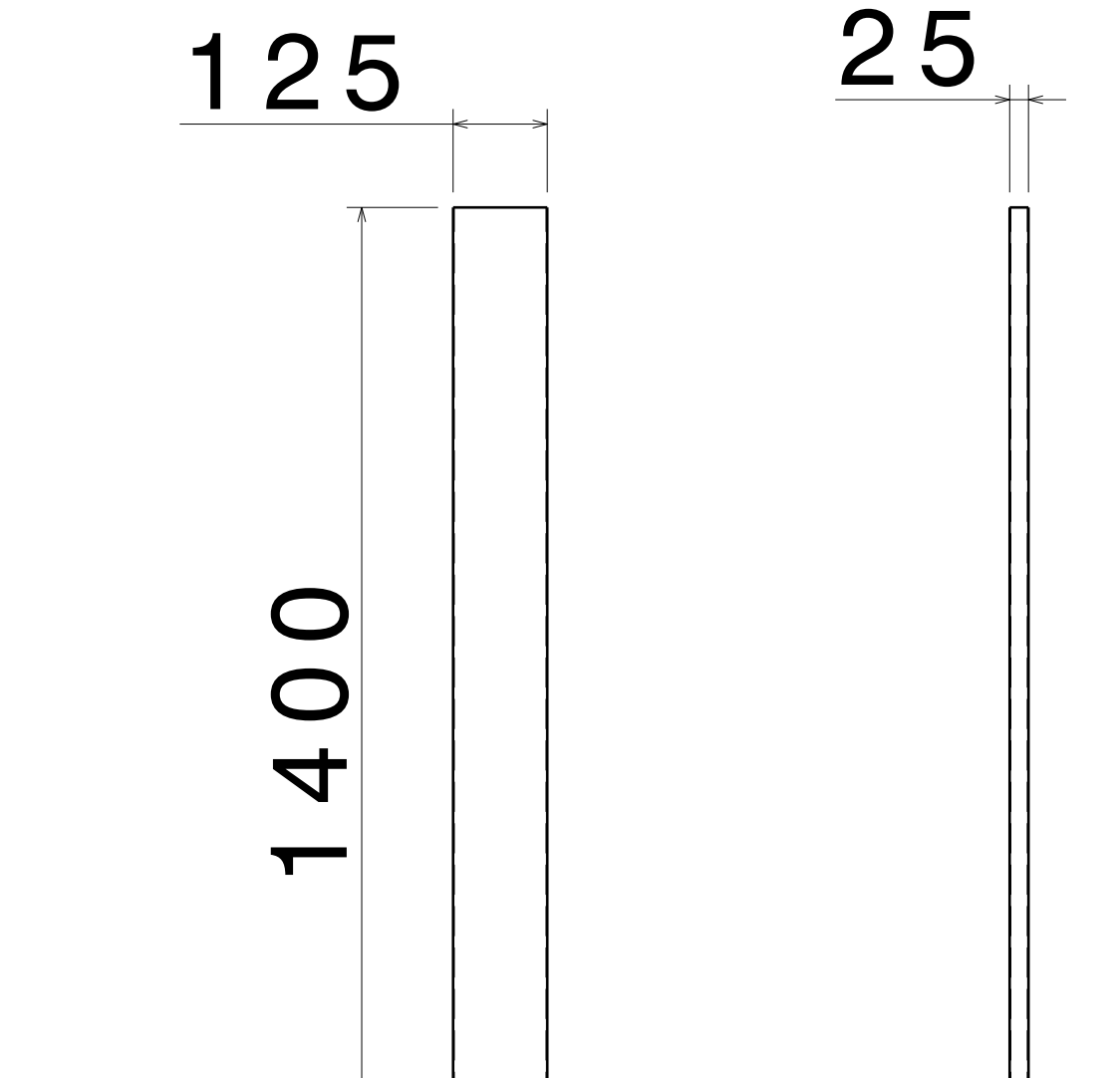
FRONT VIEW RIGHT VIEW
SCALE: 1:10 SCALE: 1:10
ITEM 8, RHS PLANK 6
THICKNESS - 1.6MM



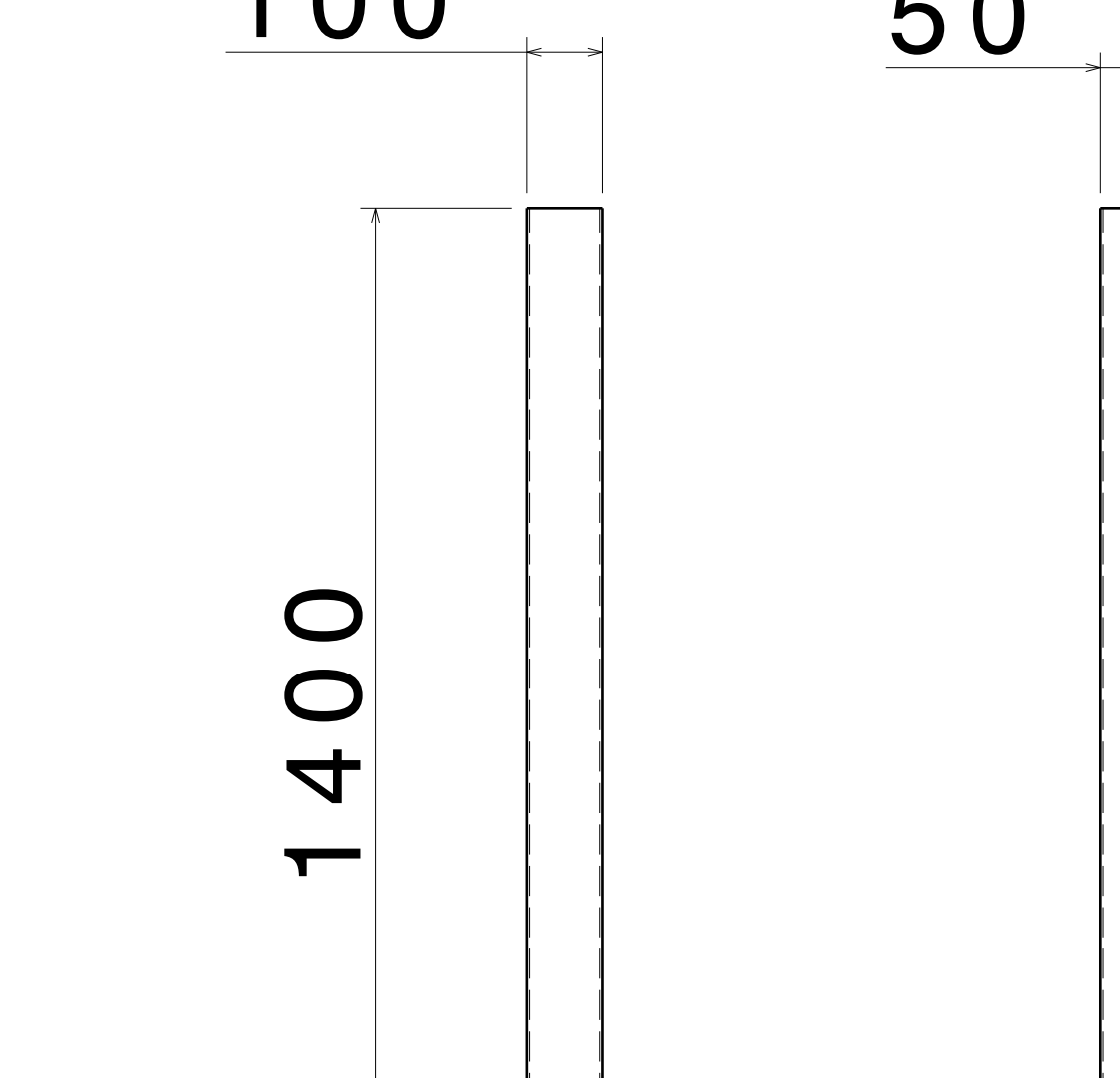
FRONT VIEW RIGHT VIEW
SCALE: 1:10 SCALE: 1:10
ITEM 9, RHS PLANK 7
THICKNESS - 1.6MM



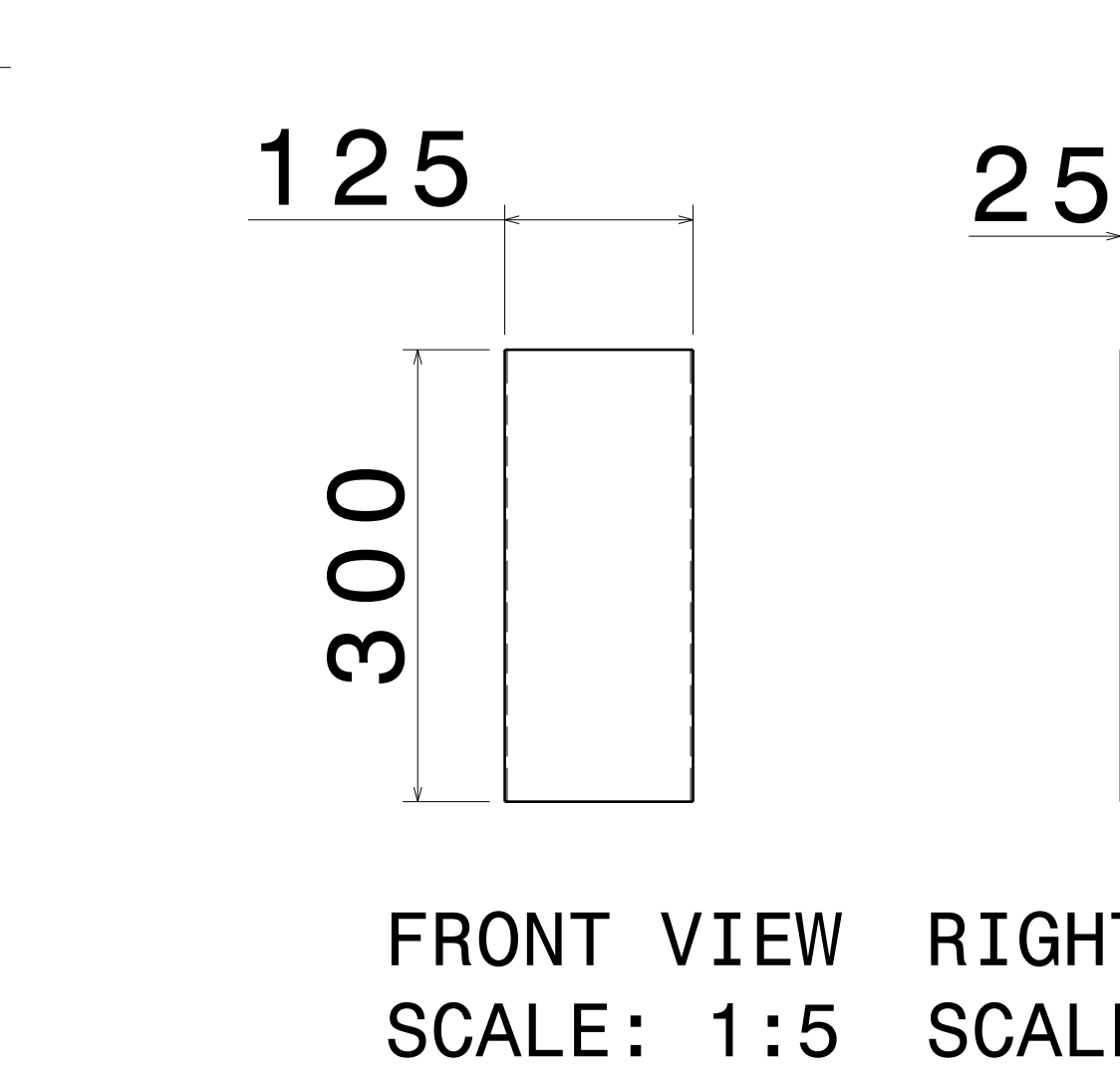
FRONT VIEW RIGHT VIEW
SCALE: 1:10 SCALE: 1:10
ITEM 10, RHS PLANK 8
THICKNESS - 1.6MM



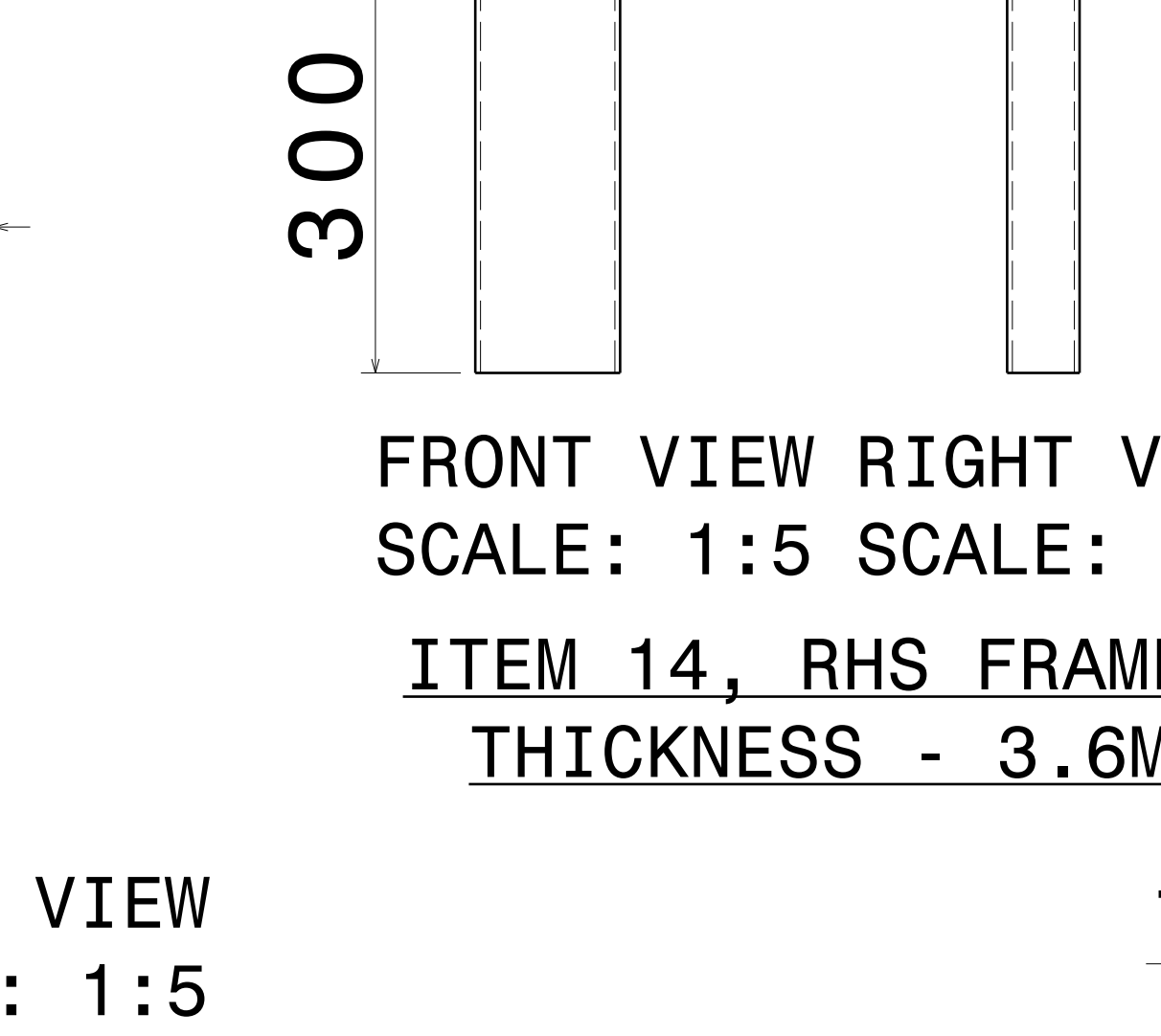
FRONT VIEW RIGHT VIEW
SCALE: 1:10 SCALE: 1:10
ITEM 11, RHS PLANK 9
THICKNESS - 1.6MM



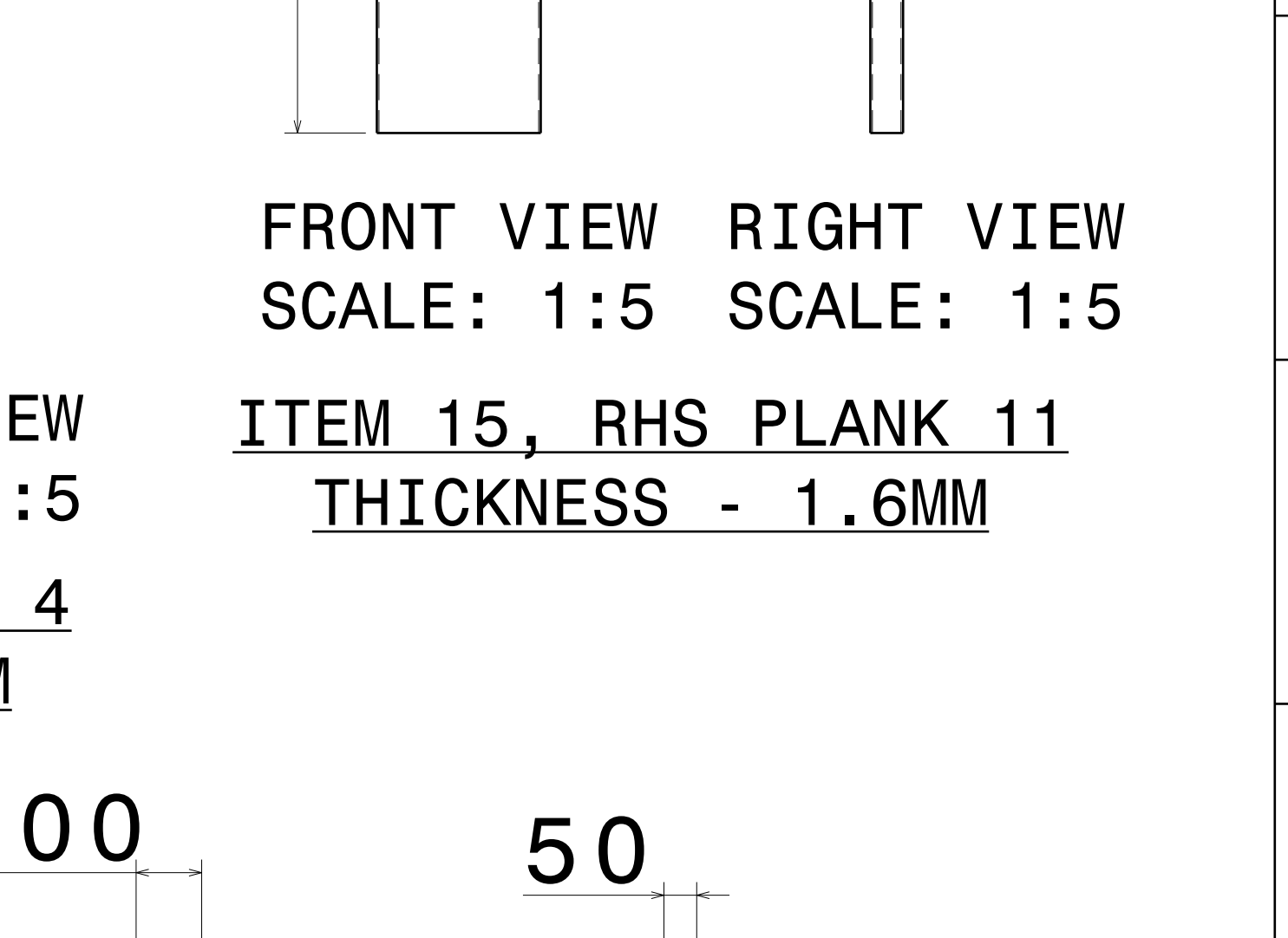
FRONT VIEW RIGHT VIEW
SCALE: 1:10 SCALE: 1:10
ITEM 12, RHS FRAME 3
THICKNESS - 3.6MM



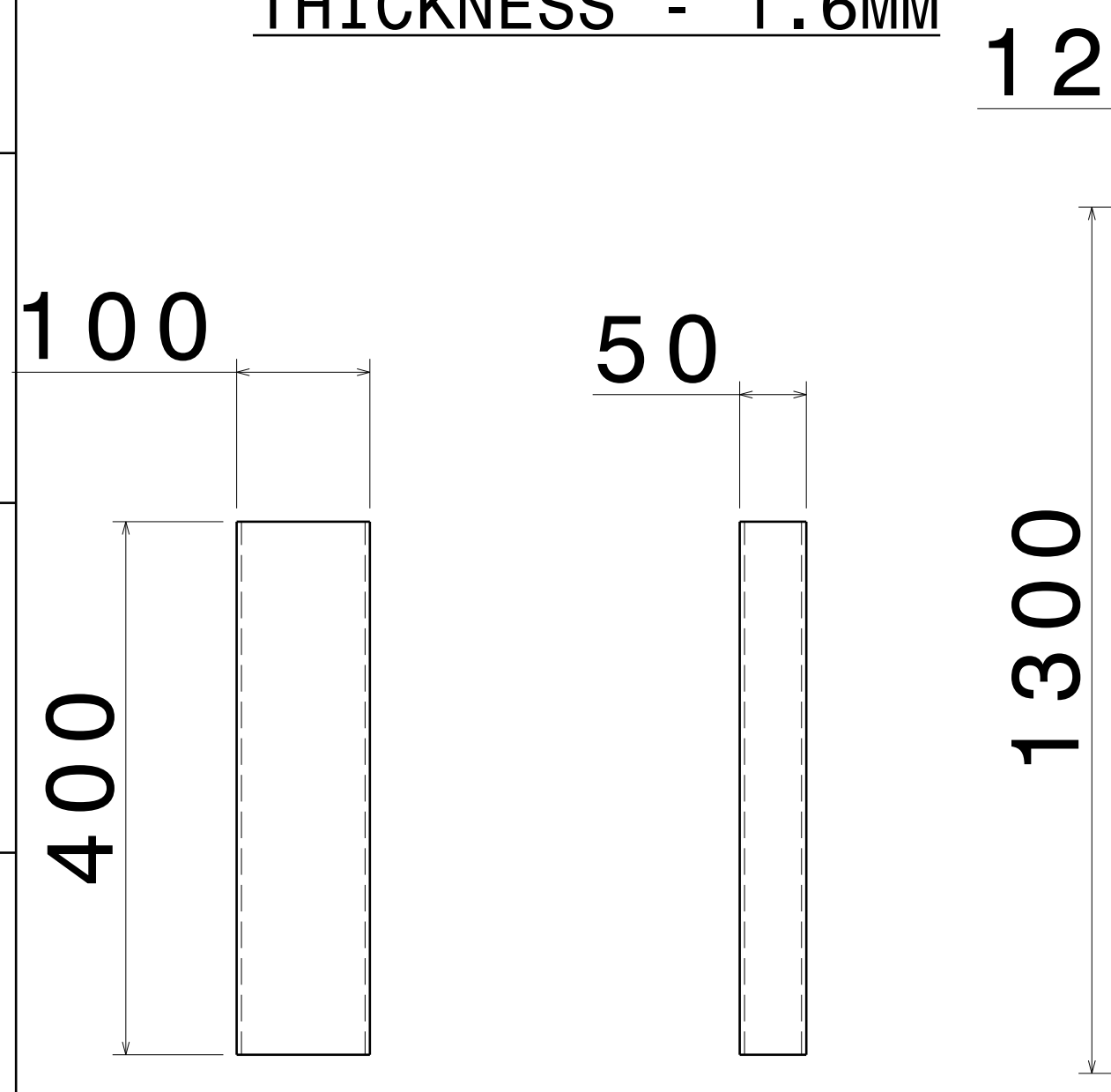
FRONT VIEW RIGHT VIEW
SCALE: 1:5 SCALE: 1:5
ITEM 13, RHS PLANK 10
THICKNESS - 1.6MM



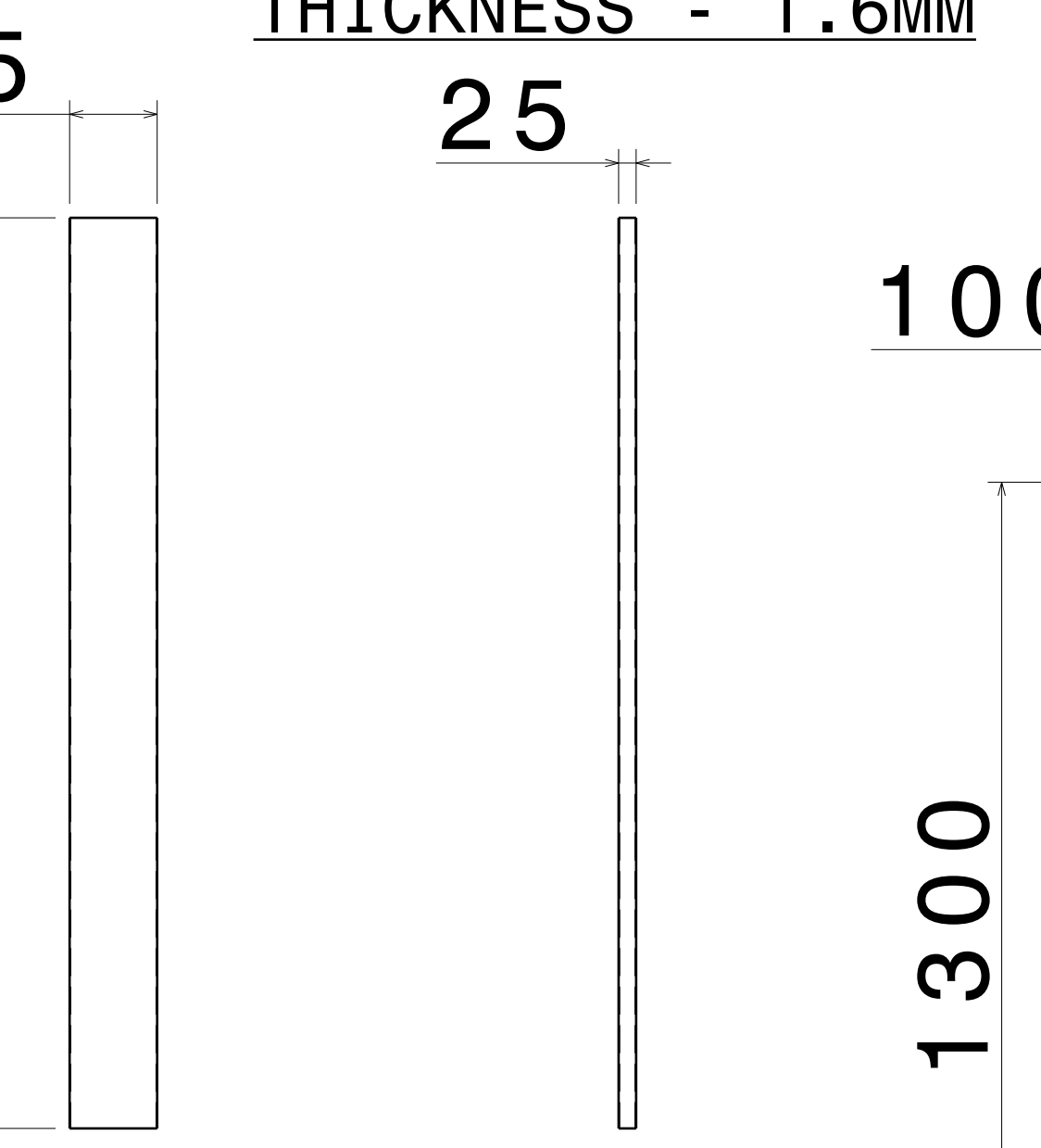
FRONT VIEW RIGHT VIEW
SCALE: 1:5 SCALE: 1:5
ITEM 14, RHS FRAME 4
THICKNESS - 3.6MM



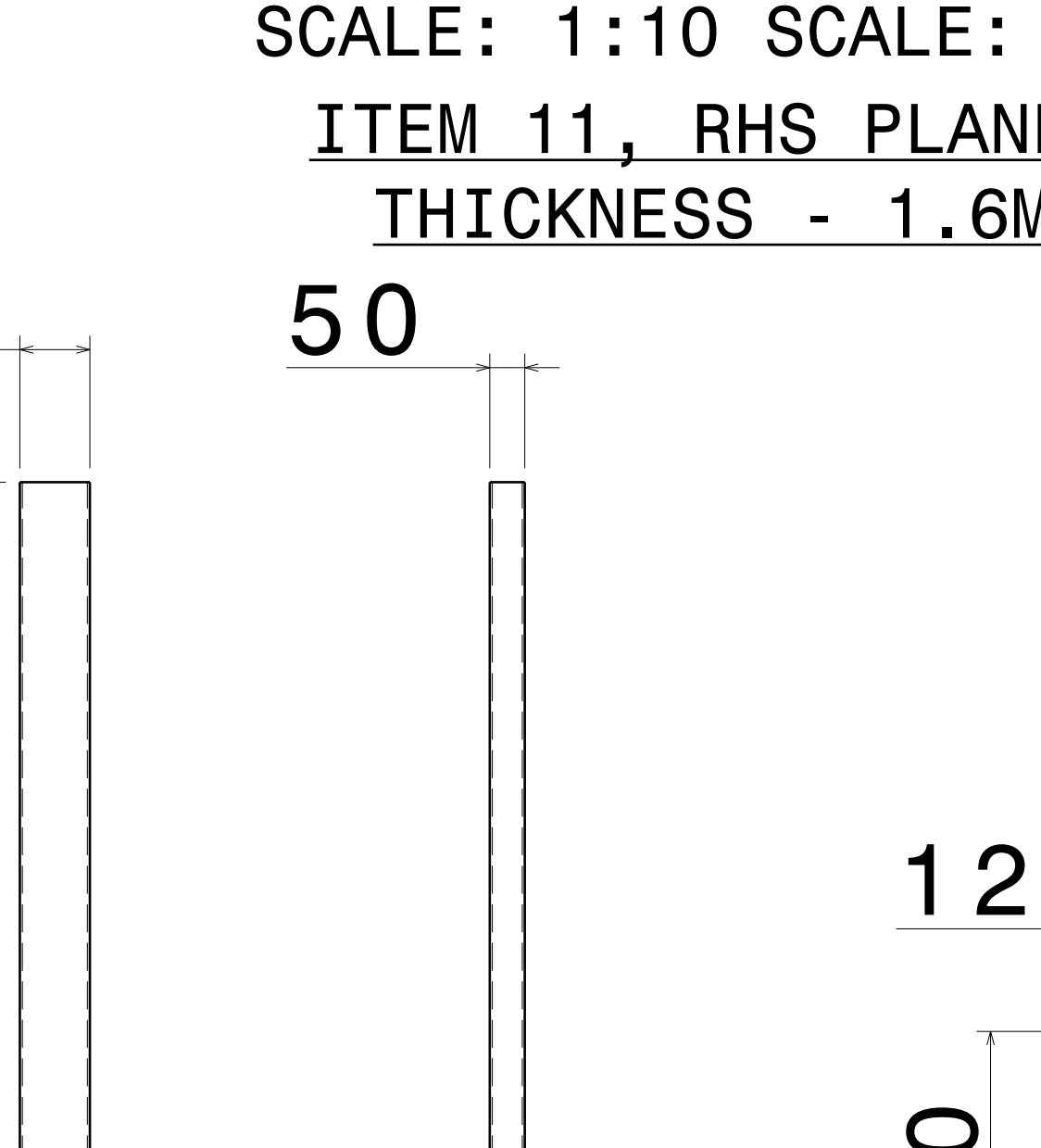
FRONT VIEW RIGHT VIEW
SCALE: 1:5 SCALE: 1:5
ITEM 15, RHS PLANK 11
THICKNESS - 1.6MM



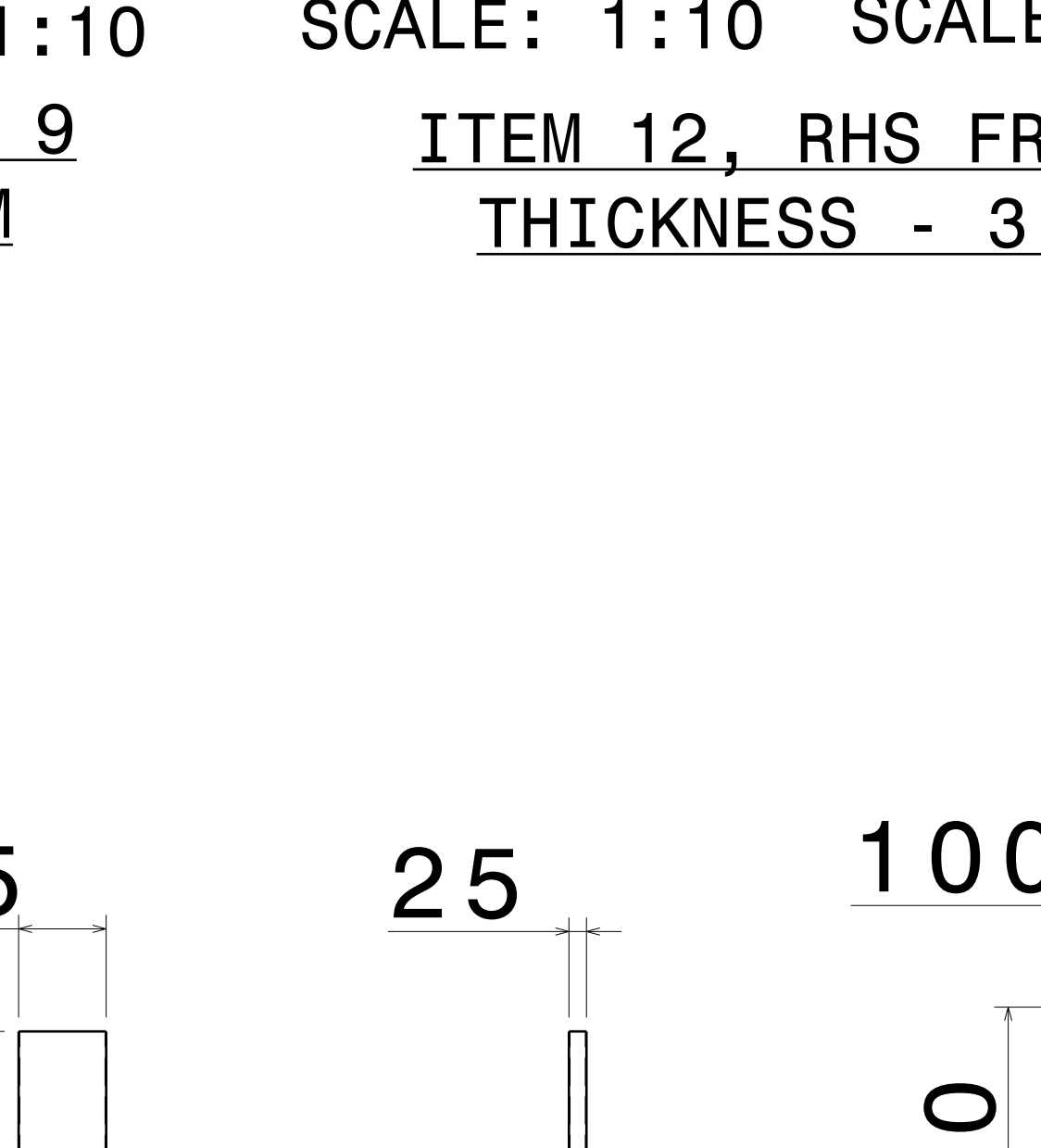
FRONT VIEW RIGHT VIEW
SCALE: 1:5 SCALE: 1:5
ITEM 16, RHS FRAME 5
THICKNESS - 3.6MM



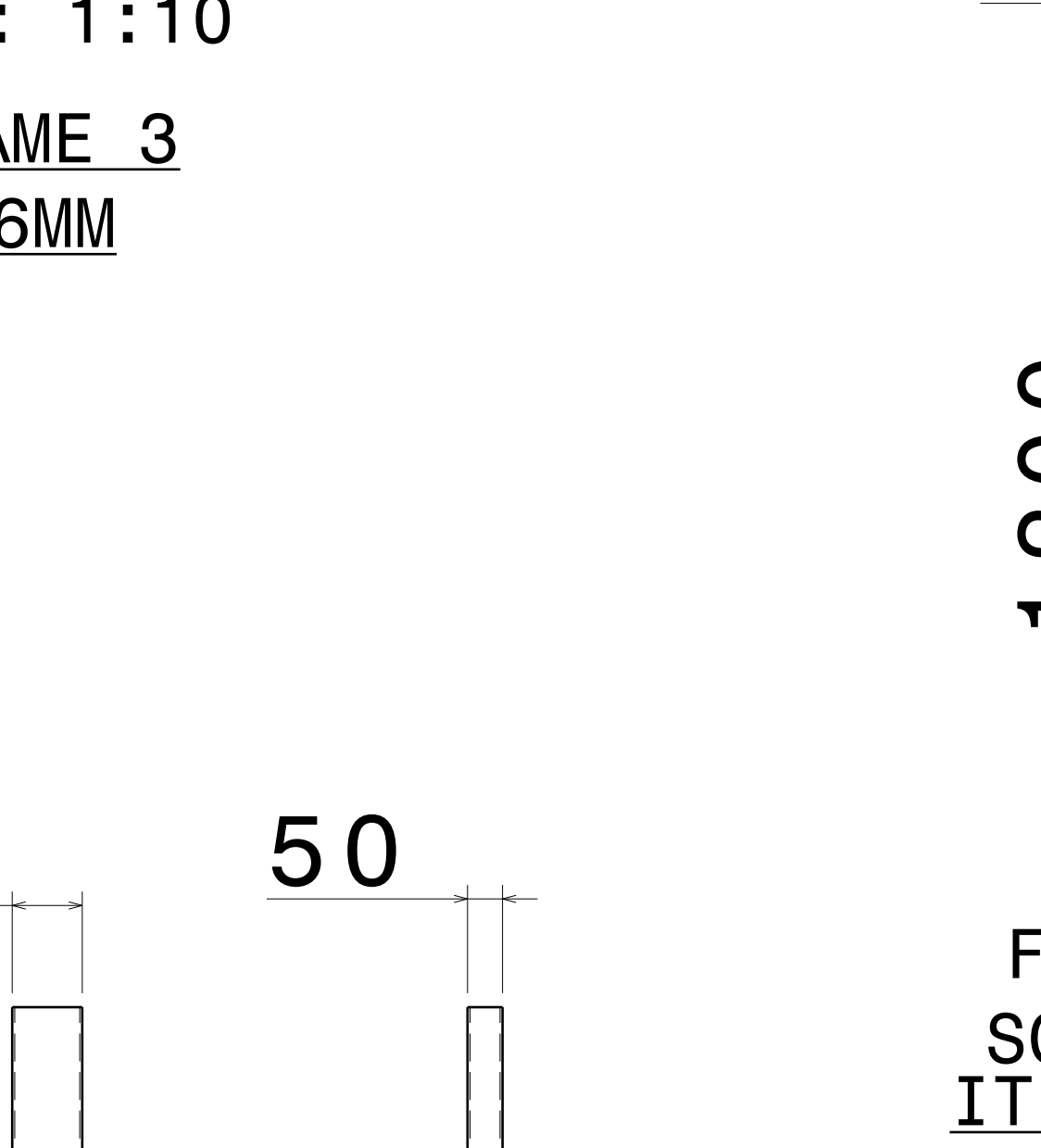
FRONT VIEW RIGHT VIEW
SCALE: 1:10 SCALE: 1:10
ITEM 17, RHS PLANK 12
THICKNESS - 1.6MM



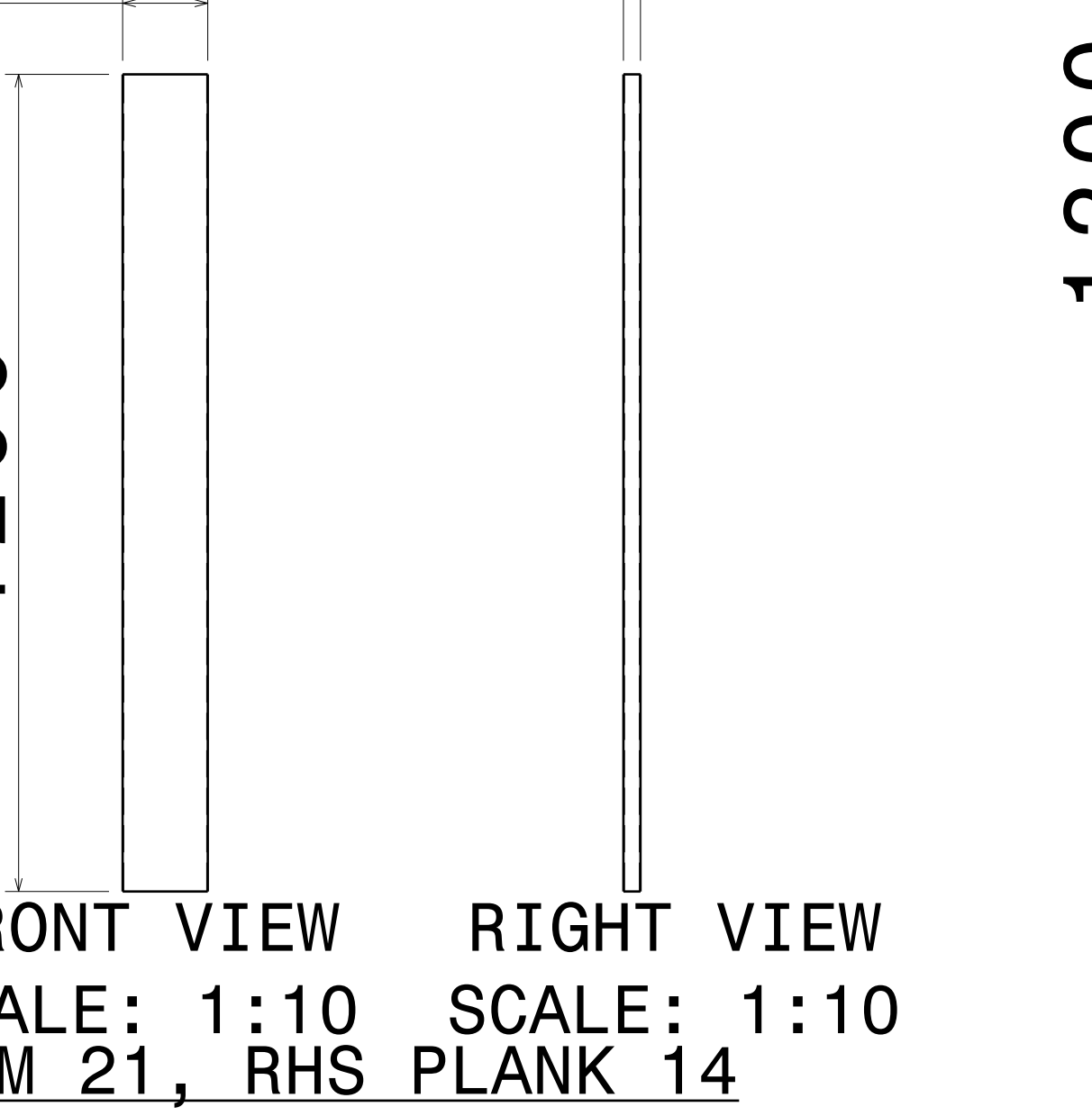
FRONT VIEW RIGHT VIEW
SCALE: 1:10 SCALE: 1:10
ITEM 18, RHS FRAME 6
THICKNESS - 3.6MM



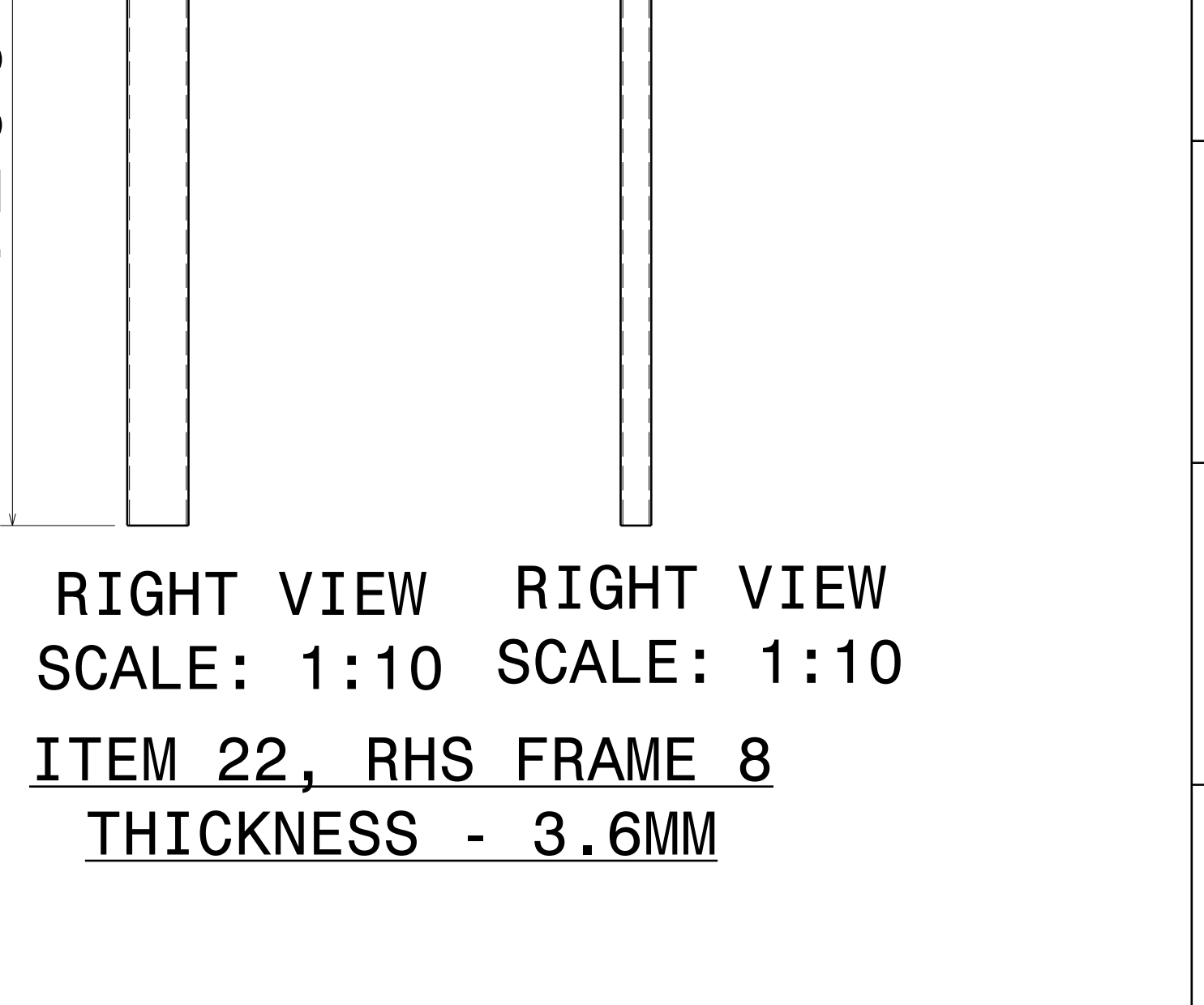
FRONT VIEW RIGHT VIEW
SCALE: 1:10 SCALE: 1:10
ITEM 19, RHS PLANK 13
THICKNESS - 1.6MM



RIGHT VIEW RIGHT VIEW
SCALE: 1:10 SCALE: 1:10
ITEM 20, RHS FRAME 7
THICKNESS - 3.6MM

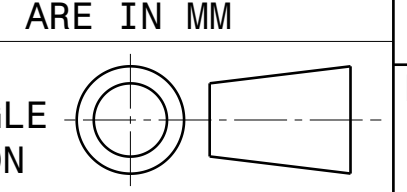


FRONT VIEW RIGHT VIEW
SCALE: 1:10 SCALE: 1:10
ITEM 21, RHS PLANK 14
THICKNESS - 1.6MM



RIGHT VIEW RIGHT VIEW
SCALE: 1:10 SCALE: 1:10
ITEM 22, RHS FRAME 8
THICKNESS - 3.6MM

UNLESS OTHERWISE SPECIFIED DIMENSION ARE IN MM VIEWS: THIRD ANGLE PROJECTION



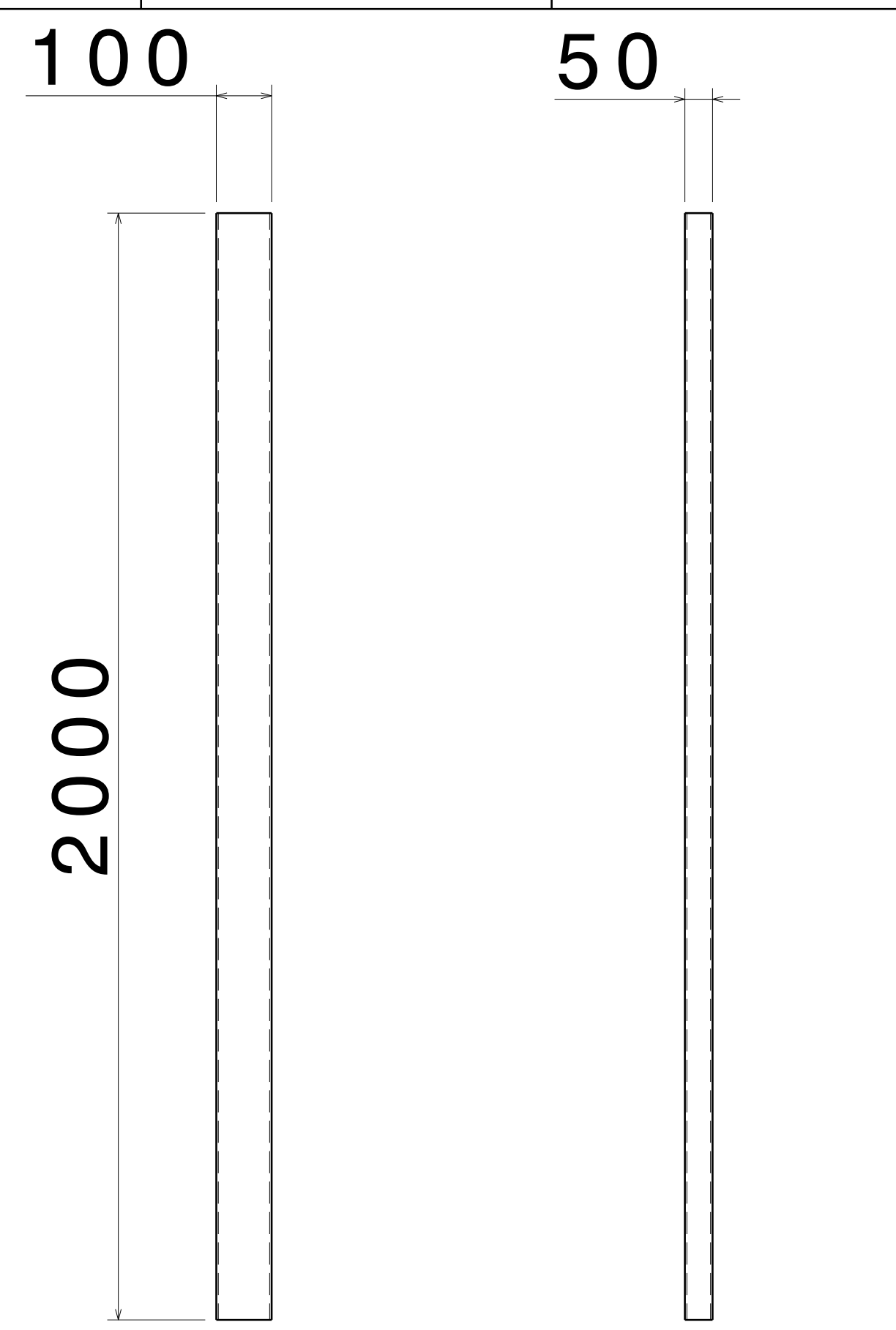
This drawing is our property. It can't be reproduced or communicated without our written agreement.

DRAWN BY: SB
CHECKED BY: P2P Analysis & Solutions
DESIGNED BY: P2P Analysis & Solutions

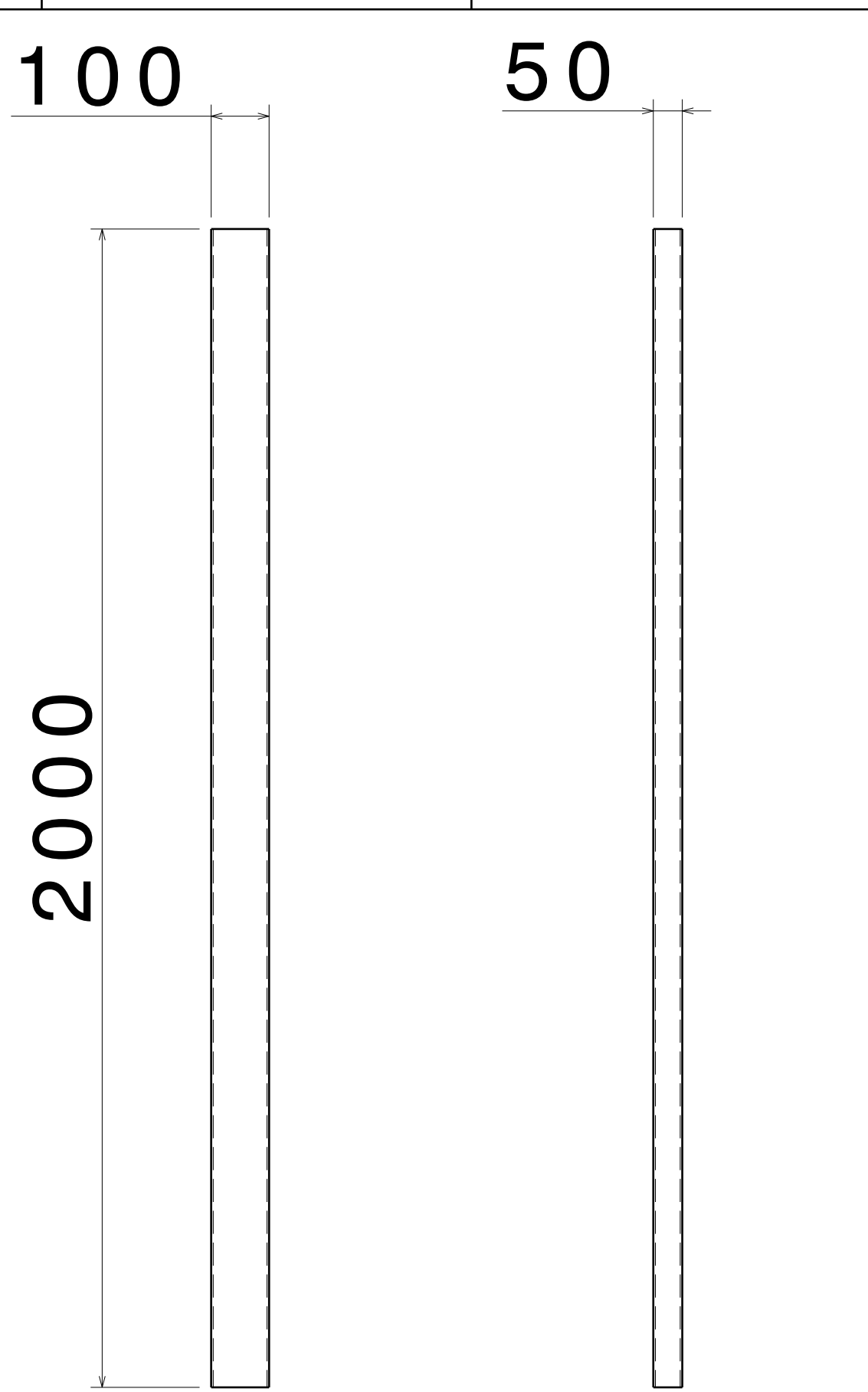
DATE: 10DEC2020
DATE: 10DEC2020
DATE: 10DEC2020

APL APOLLO TUBES LTD.	
DRAWING TITLE: DEC 20_4	
SIZE: A0	DRAWING NUMBER: P2P DEC 20_4
SCALE: NONE	WEIGHT (kg): XXX
SHEET 3 OF 4	

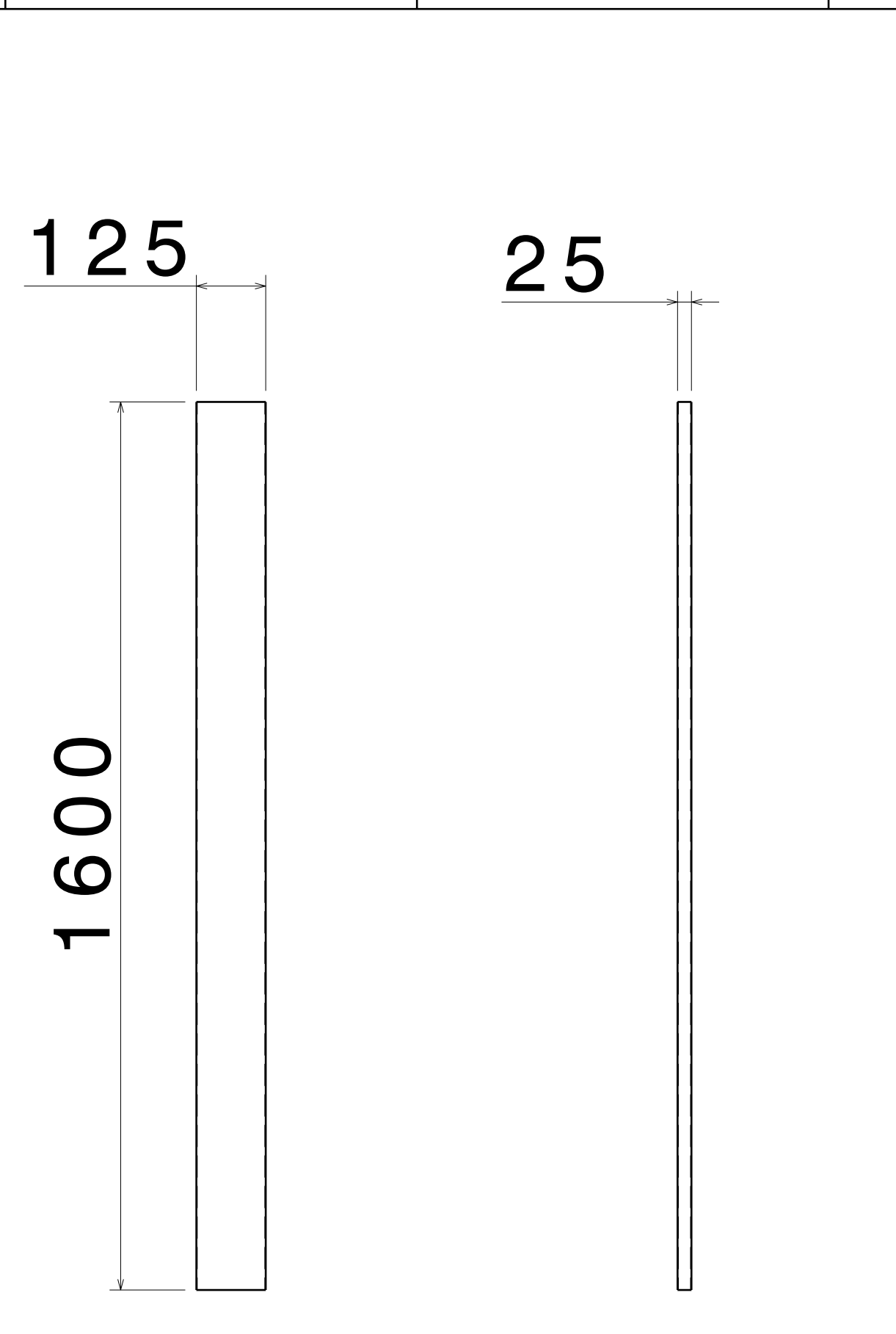
REV	DATE	DESCRIPTION
00	10DEC2020	INITIAL REVISION



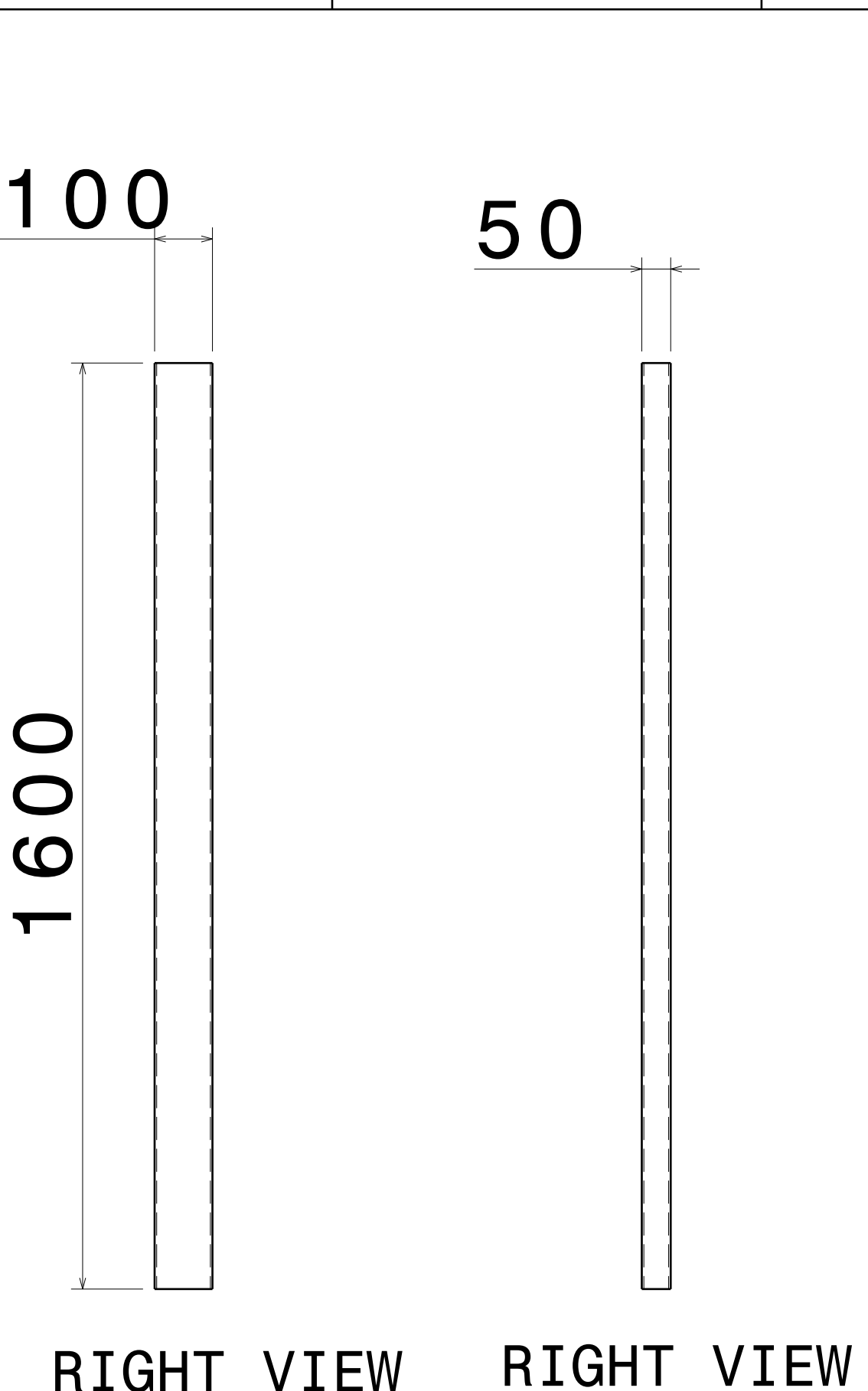
FRONT VIEW RIGHT VIEW
SCALE: 1:10 SCALE: 1:10
ITEM 23, RHS PLANK 15
THICKNESS - 1.6MM



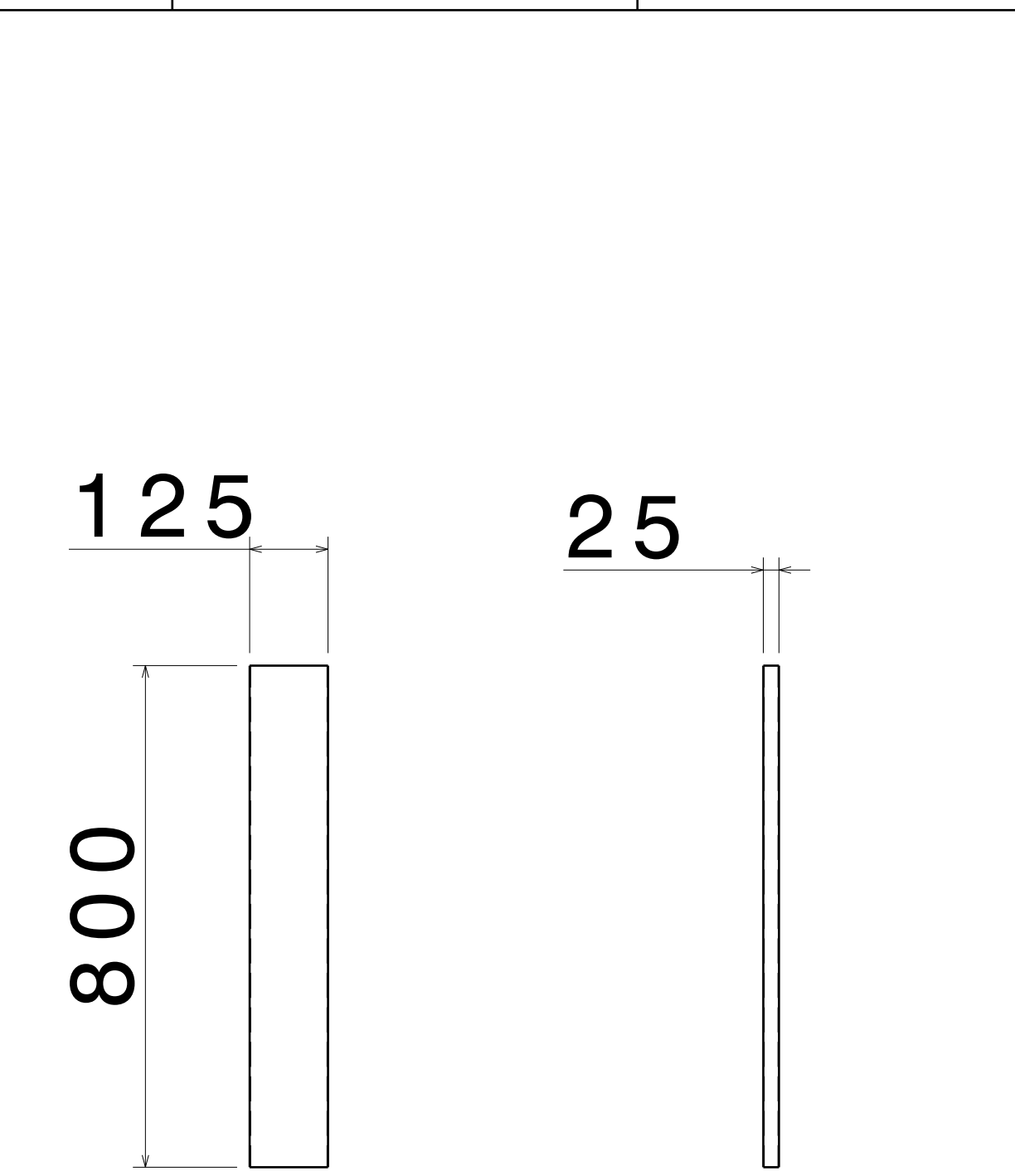
RIGHT VIEW RIGHT VIEW
SCALE: 1:10 SCALE: 1:10
ITEM 24, RHS FRAME 9
THICKNESS - 3.6MM



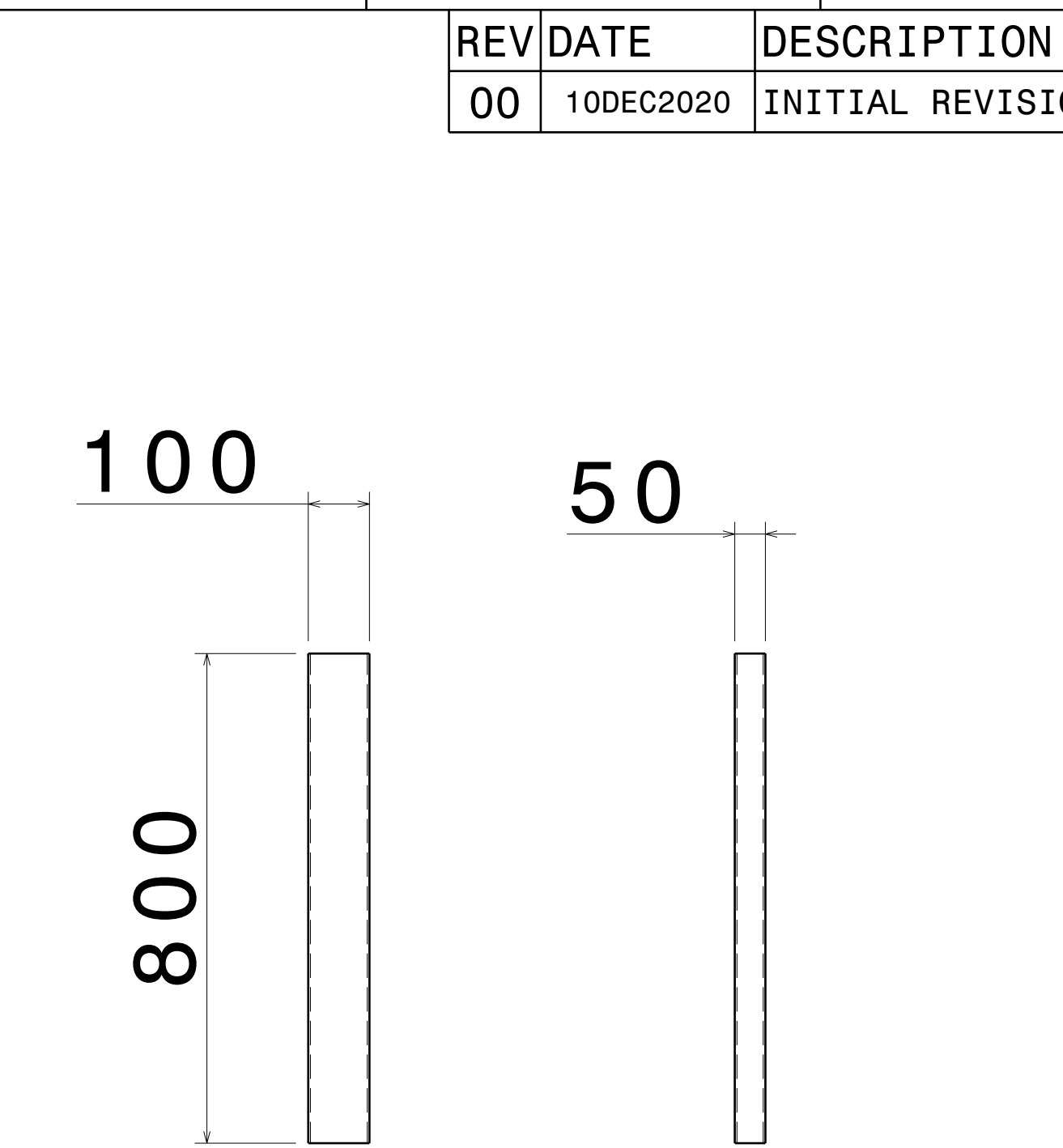
FRONT VIEW RIGHT VIEW
SCALE: 1:10 SCALE: 1:10
ITEM 25, RHS PLANK 16
THICKNESS - 1.6MM



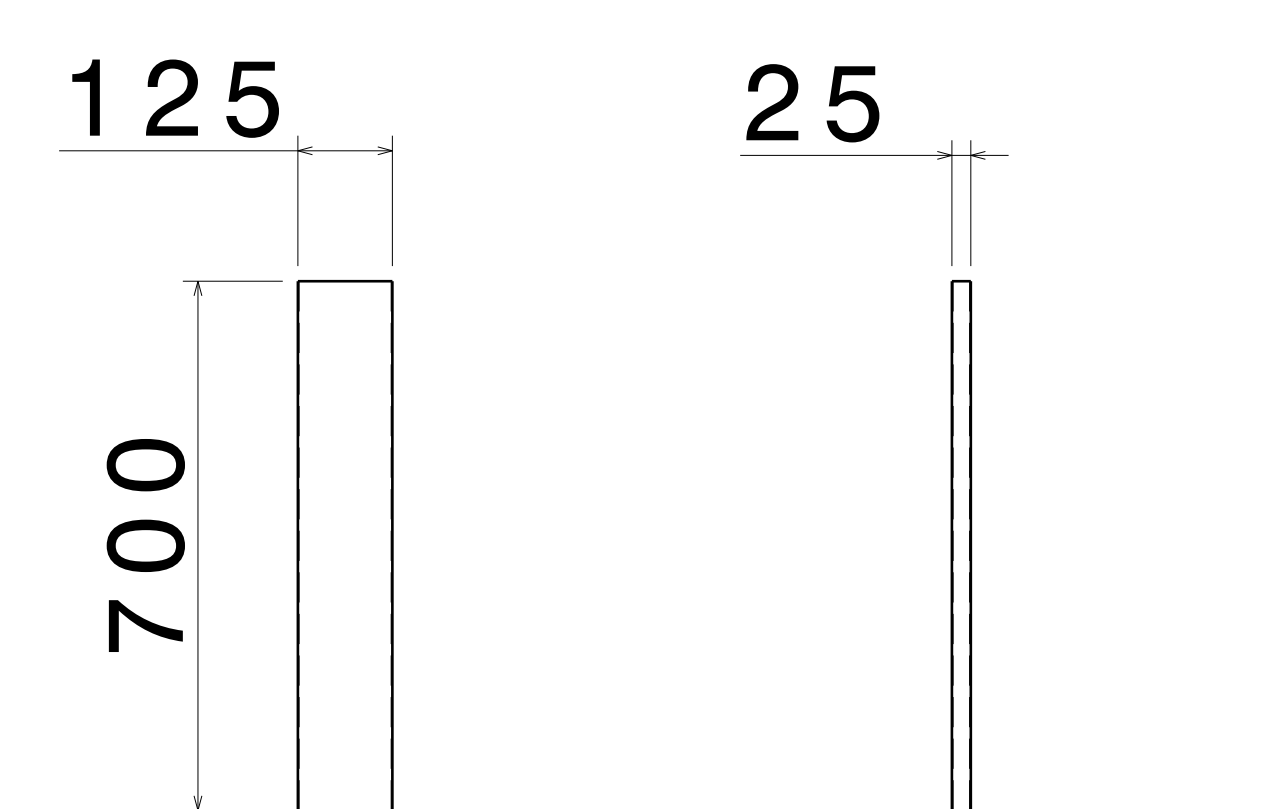
RIGHT VIEW RIGHT VIEW
SCALE: 1:10 SCALE: 1:10
ITEM 26, RHS FRAME 10
THICKNESS - 3.6MM



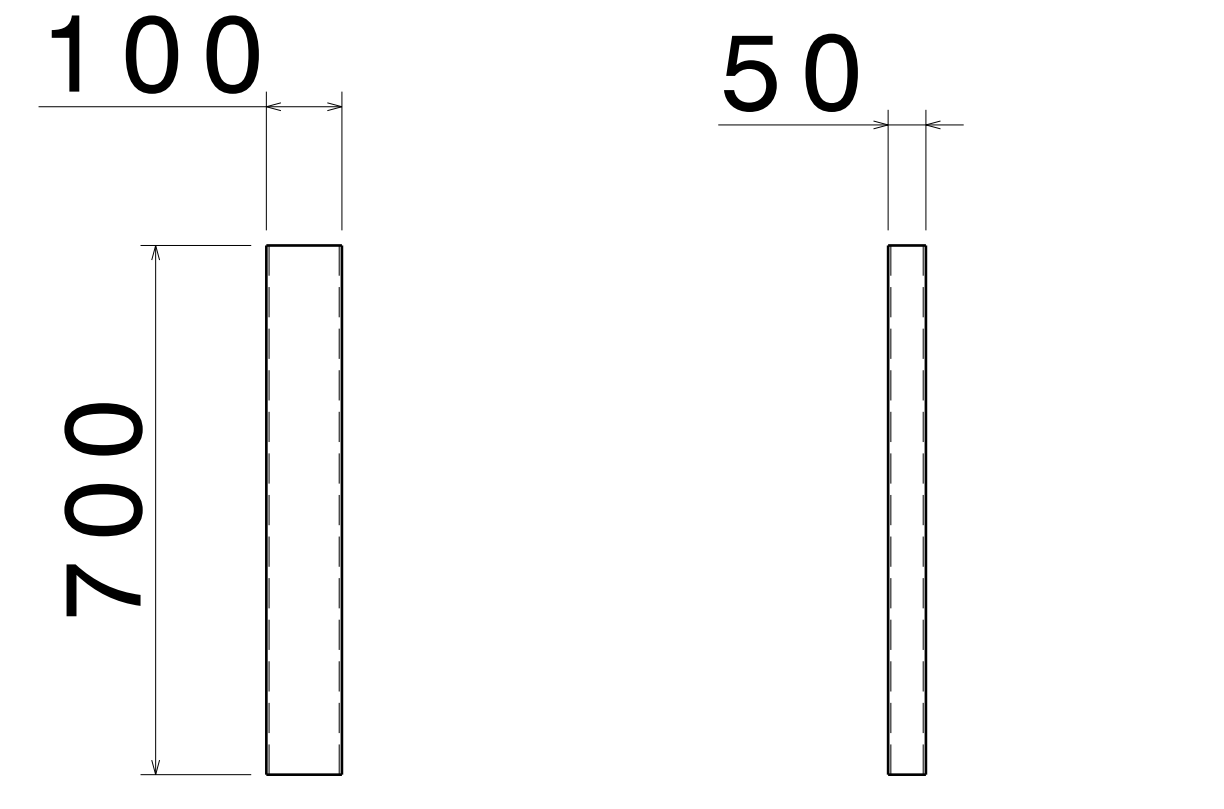
FRONT VIEW RIGHT VIEW
SCALE: 1:10 SCALE: 1:10
ITEM 27, RHS PLANK 17
THICKNESS - 1.6MM



RIGHT VIEW RIGHT VIEW
SCALE: 1:10 SCALE: 1:10
ITEM 28, RHS FRAME 11
THICKNESS - 3.6MM



FRONT VIEW RIGHT VIEW
SCALE: 1:10 SCALE: 1:10
ITEM 29, RHS PLANK 18
THICKNESS - 1.6MM



RIGHT VIEW RIGHT VIEW
SCALE: 1:10 SCALE: 1:10
ITEM 30, RHS FRAME 12
THICKNESS - 3.6MM

UNLESS OTHERWISE SPECIFIED DIMENSION ARE IN MM
VIEWS: THIRD ANGLE PROJECTION

This drawing is our property. It can't be reproduced or communicated without our written agreement.		APL APOLLO TUBES LTD.	
DRAWN BY: VM		DRAWING TITLE: DEC 20_4	
CHECKED BY: P2P Analysis & Solutions	DATE: 10DEC2020	SIZE: A0	DRAWING NUMBER: P2P_DEC 20_4
DESIGNED BY: P2P Analysis & Solutions	DATE: 10DEC2020	SCALE: As Indicated	WEIGHT (kg): 0kg
		SHEET 4 OF 4	