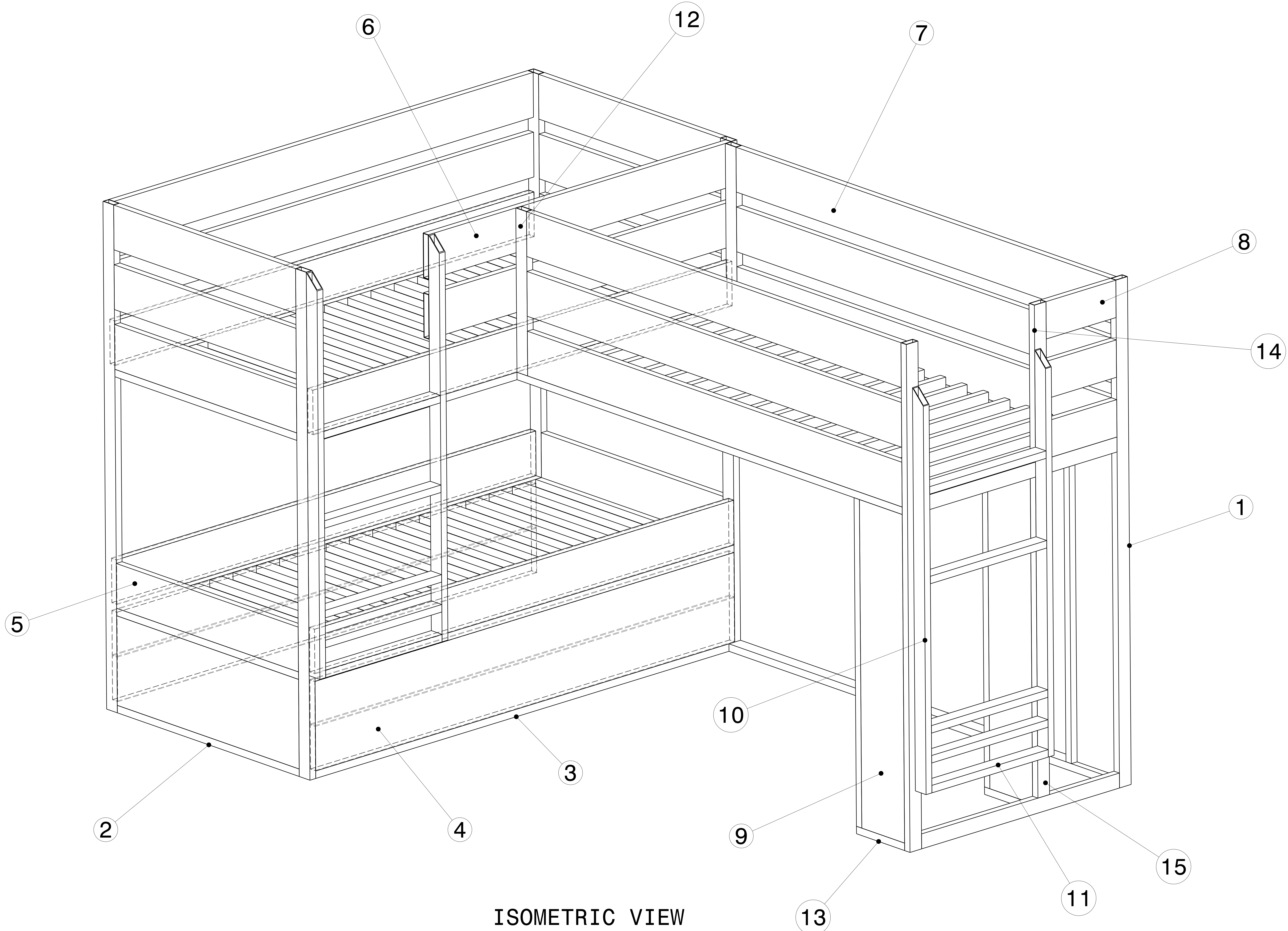


REV/DATE	DESCRIPTION
00 / 10DEC2020	INITIAL REVISION

- NOTES:
- (⊥) ALL VERTICAL SUPPORTS ARE PERPENDICULAR.
 - FLATNESS OF .5MM IS APPLIED BY DEFAULT.
 - ⊥ WELD BEAD OF 2MM RADIUS IS FOLLOWED.
 - ▽ SURFACE FINISH MEDIUM TO SMOOTH IS USED.
 - ALL TUBES ARE AS PER APL APOLLO STANDARD. CHANGES MAY EFFECT THE LOAD CAPACITY.
 - ALL HORIZONTAL AND VERTICAL TUBES ARE PERPENDICULAR TO EACH OTHER WITH ±1 DEG.
 - FINE WELDING IS REQUIRED AS PER MENTIONED DETAILS AND FINISHING.
 - HIGHER CURRENT WELDING MAY AFFECT THE BRITTLINESS OF MATERIAL WHICH LATER MAY RAISE TO WEAKENING OF STRUCTURE.
 - FABRICATORS ARE ALLOWED TO USE FITTINGS/FRAMES/SUPPORTS AS NEEDED AND THE SAME MUST BE COMMUNICATED BACK TO ENGINEERING TEAM.
 - BOP COMPONENT WEIGHTS ARE FOR REFERENCE ONLY AND SUBJECTED TO CHANGE PER PURCHASED COMPONENTS.



ISOMETRIC VIEW
SCALE: 1:5

ITEM NO.	PART NUMBER	DESCRIPTION	QTY.	Wt (Kg)/Each
15	RHS FRAME 9	50 X 25 X 2.0 X 1075	1	2.4
14	RHS FRAME 8	50 X 25 X 2.0 X 525	1	0.95
13	RHS FRAME 7	50 X 25 X 2.0 X 225	2	0.5
12	RHS FRAME 6	50 X 25 X 2.0 X 550	2	1.23
11	RHS FRAME 5	50 X 25 X 2.0 X 500	10	1.12
10	RHS FRAME 4	50 X 25 X 2.0 X 1350	4	2.96
9	RHS PLANK 6	200 X 25 X 1.6 X 1100	3	6.14
8	RHS PLANK 5	125 X 25 X 1.6 X 300	3	1.11
7	RHS PLANK 4	150 X 25 X 1.6 X 1750	6	7.56
6	RHS PLANK 3	150 X 25 X 1.6 X 1300	2	5.62
5	RHS PLANK 2	150 X 25 X 1.6 X 850	12	3.67
4	RHS PLANK 1	150 X 25 X 1.6 X 1800	10	7.78
3	RHS FRAME 3	50 X 25 X 2.0 X 1800	9	4.02
2	RHS FRAME 2	50 X 25 X 2.0 X 850	77	1.9
1	RHS FRAME 1	50 X 25 X 2.0 X 1700	6	3.79

This drawing is our property. It can't be reproduced or communicated without our written agreement.

APL APOLLO TUBES LTD.

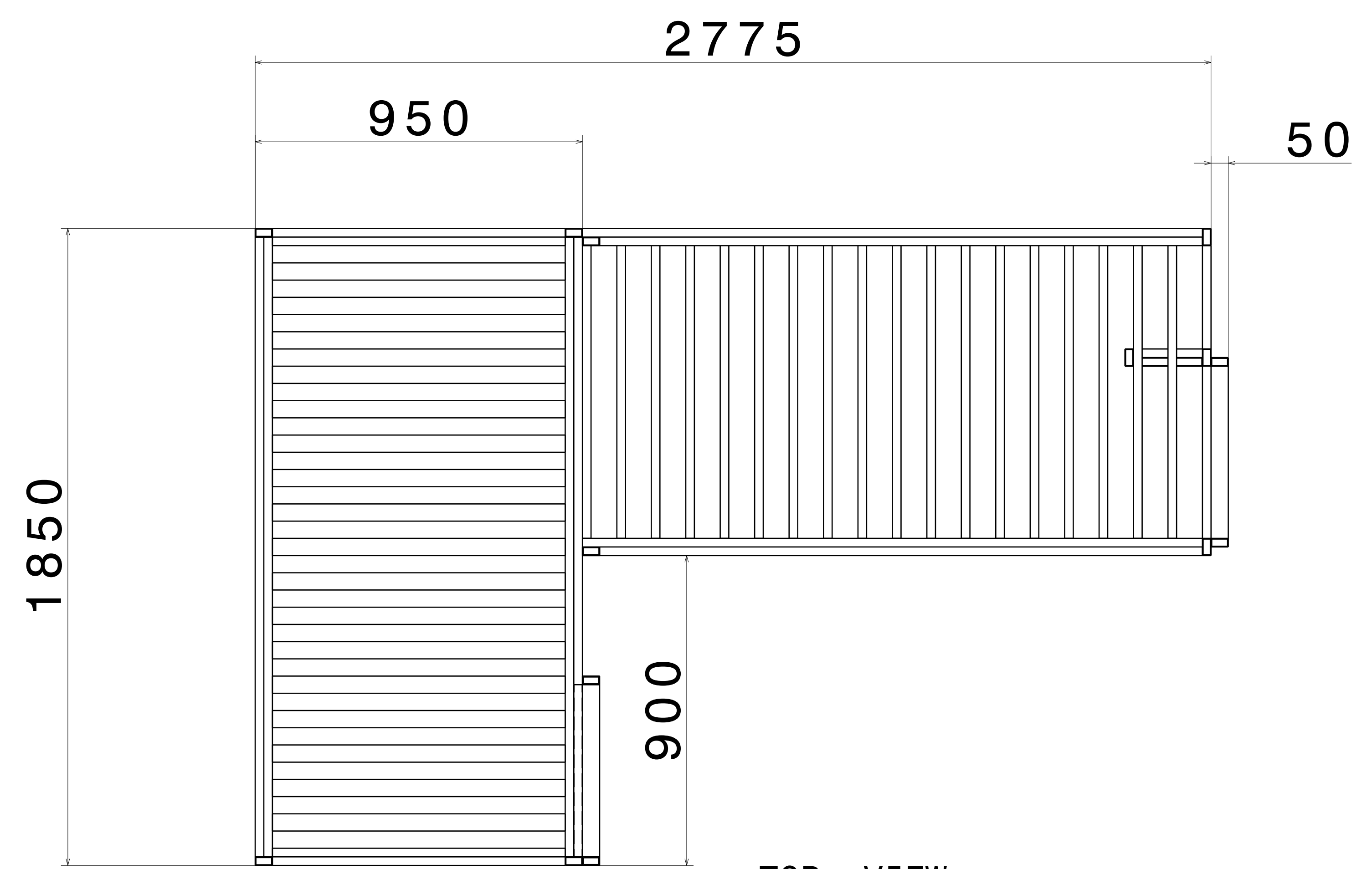
DRAWING TITLE: DEC 20_5

DRAWN BY: VM	DATE: 10DEC2020	CHECKED BY: P2P Analysis & Solutions	DATE: 10DEC2020	DESIGNED BY: P2P Analysis & Solutions	DATE: 10DEC2020
--------------	-----------------	--------------------------------------	-----------------	---------------------------------------	-----------------

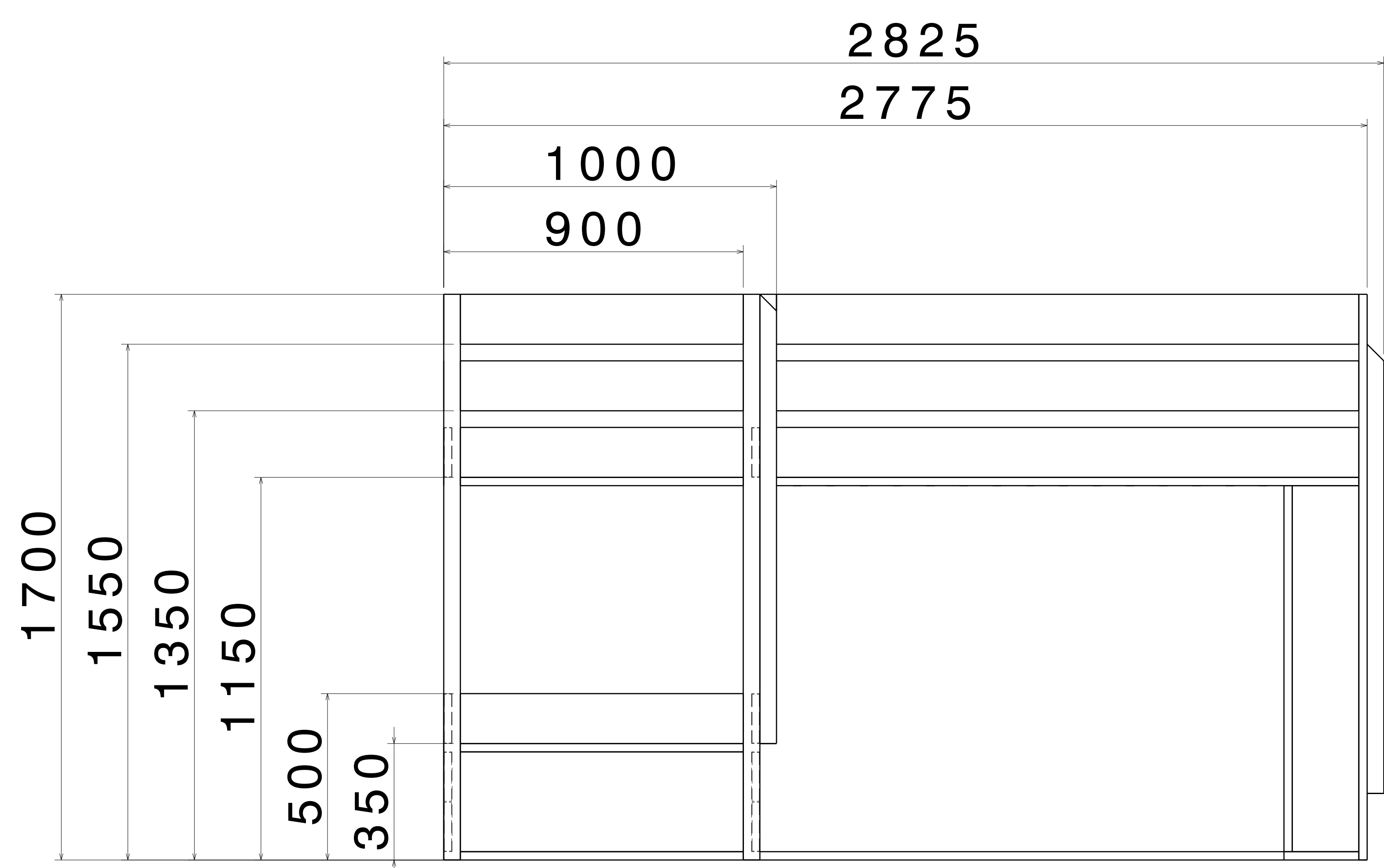
SIZE: A0	DRAWING NUMBER: P2P_DEC 20_5	REV: 00
SCALE: As Indicated	WEIGHT (kg): 0kg	SHEET 1 OF 3

UNLESS OTHERWISE SPECIFIED DIMENSION ARE IN MM VIEWS: THIRD ANGLE PROJECTION

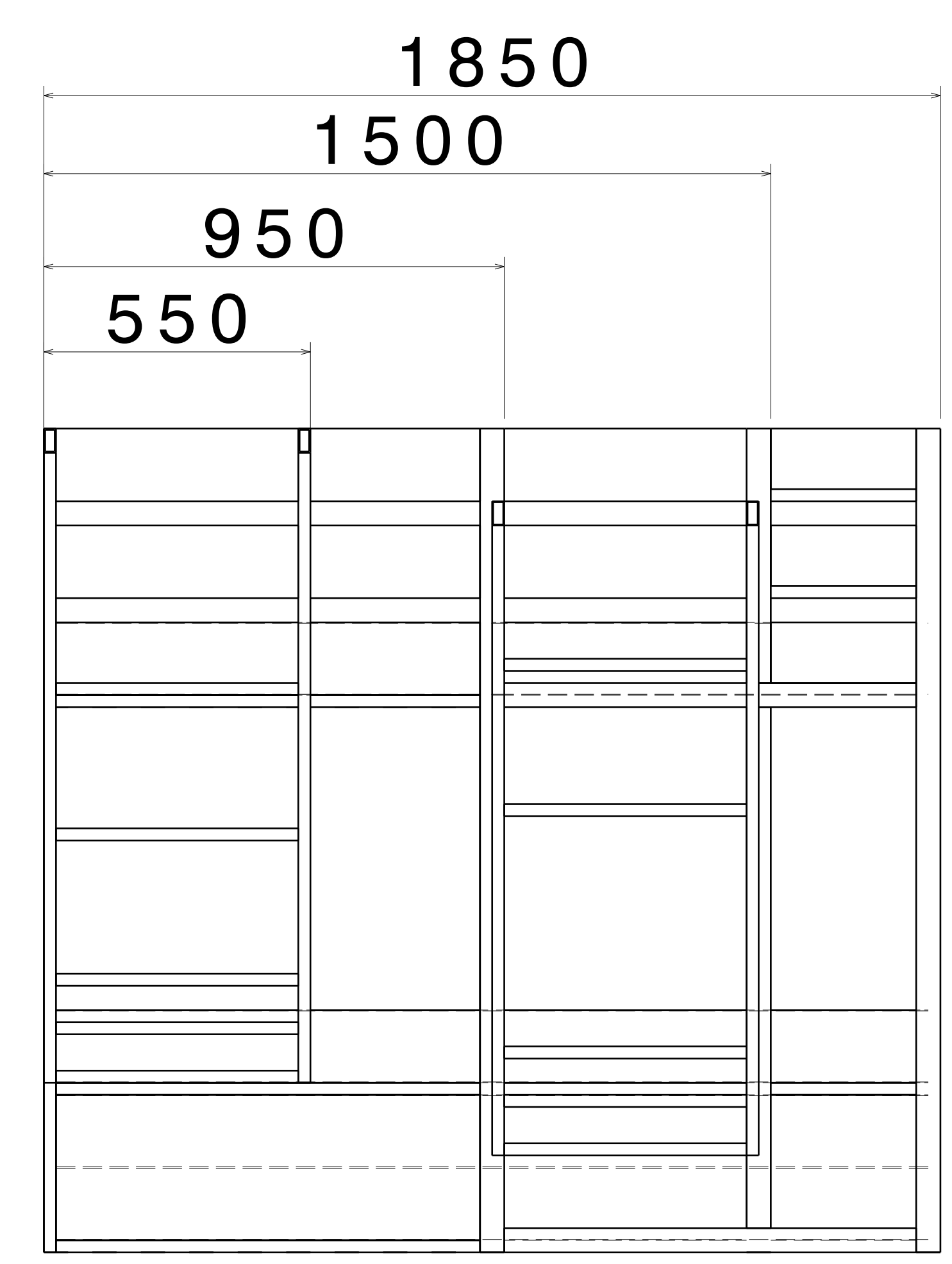
REV	DATE	DESCRIPTION
00	10DEC2020	INITIAL REVISION



TOP VIEW
SCALE: 1:10

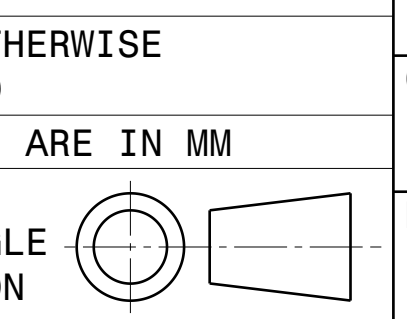



FRONT VIEW
SCALE: 1:10



RIGHT VIEW
SCALE: 1:10

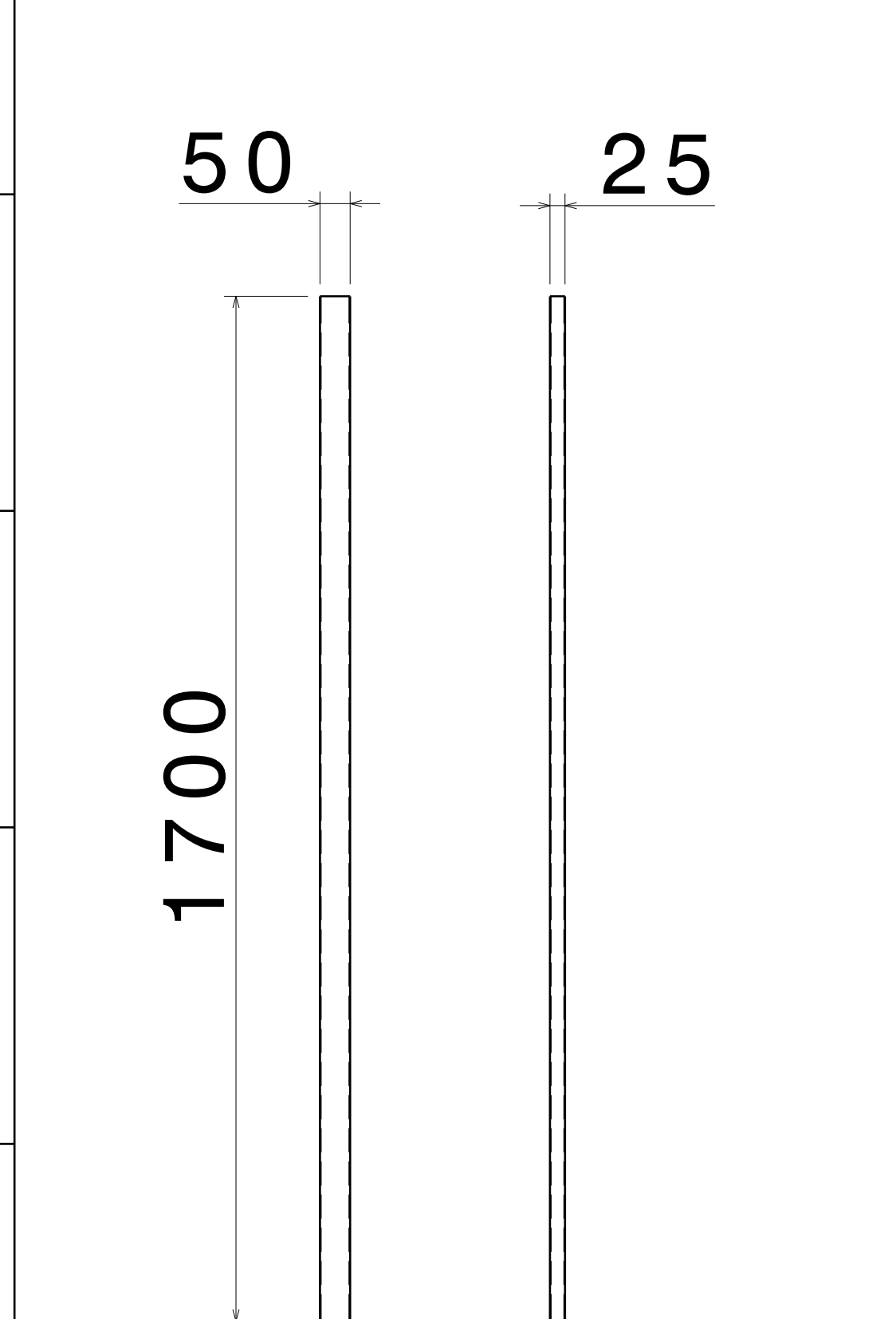
UNLESS OTHERWISE SPECIFIED DIMENSION ARE IN MM
VIEWS: THIRD ANGLE PROJECTION



This drawing is our property. It can't be reproduced or communicated without our written agreement.		APL APOLLO TUBES LTD. 	
DRAWN BY SB		DATE 10DEC2020	
CHECKED BY P2P Analysis & Solutions		DATE 10DEC2020	
DESIGNED BY P2P Analysis & Solutions		DATE 10DEC2020	
SIZE A0	DRAWING NUMBER P2P_DEC 20 5	REV 00	
SCALE NONE	WEIGHT (kg) XXX	SHEET 2 OF 3	

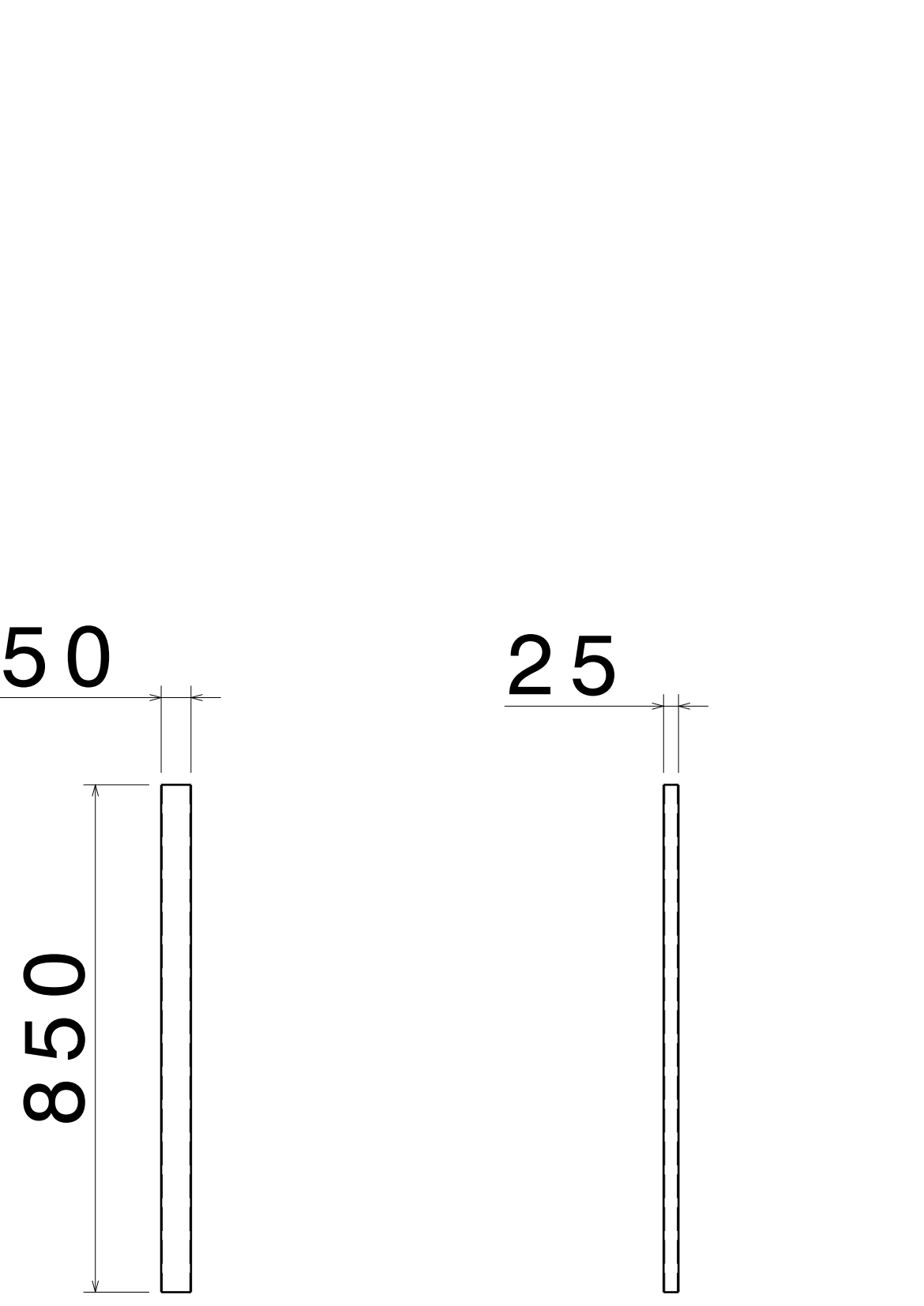
DRAWING TITLE
DEC 20 5

REV	DATE	DESCRIPTION
00	10DEC2020	INITIAL REVISION



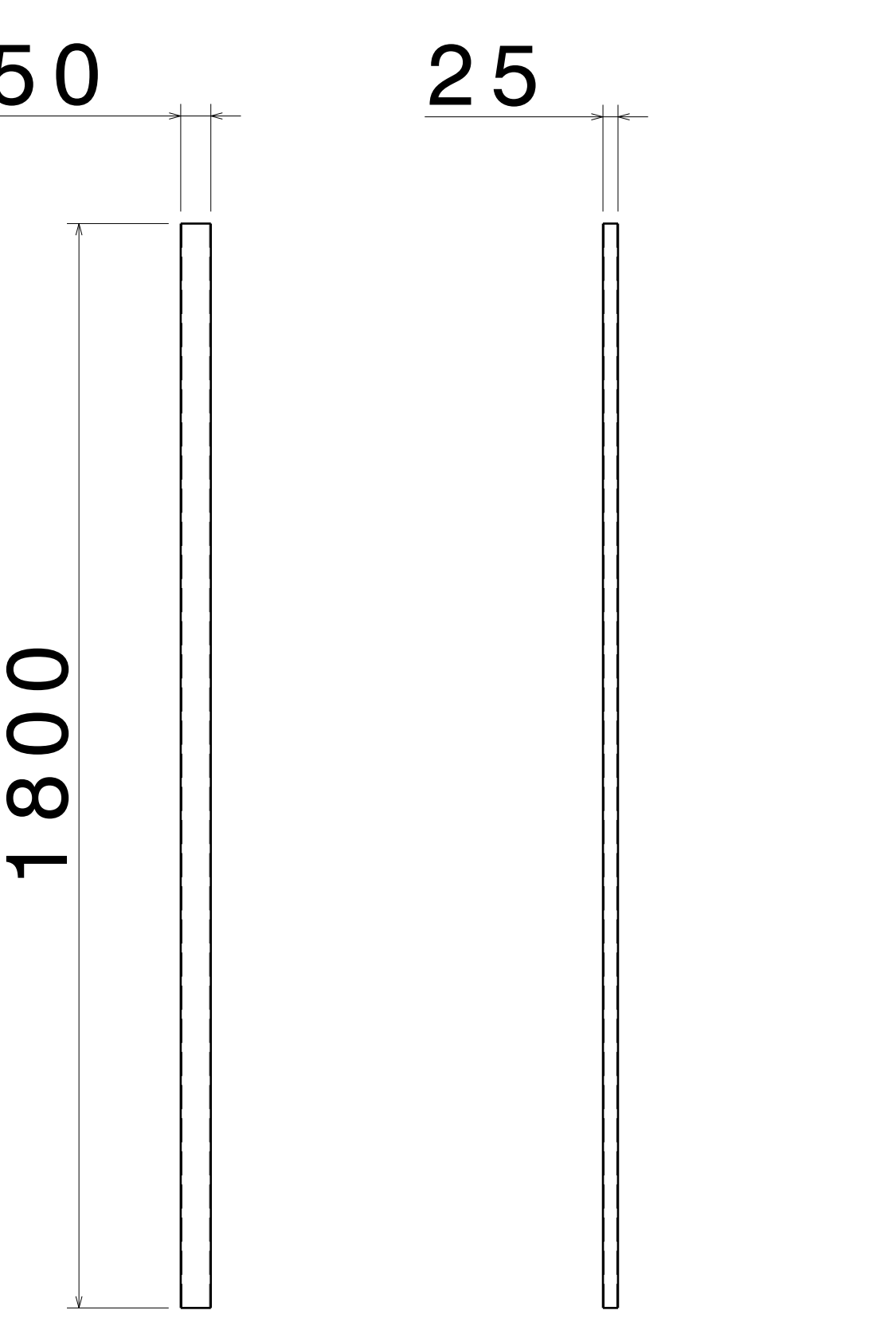
FRONT VIEW RIGHT VIEW
SCALE: 1:10 SCALE: 1:10

ITEM 1, RHS FRAME 1
THICKNESS - 2.0MM



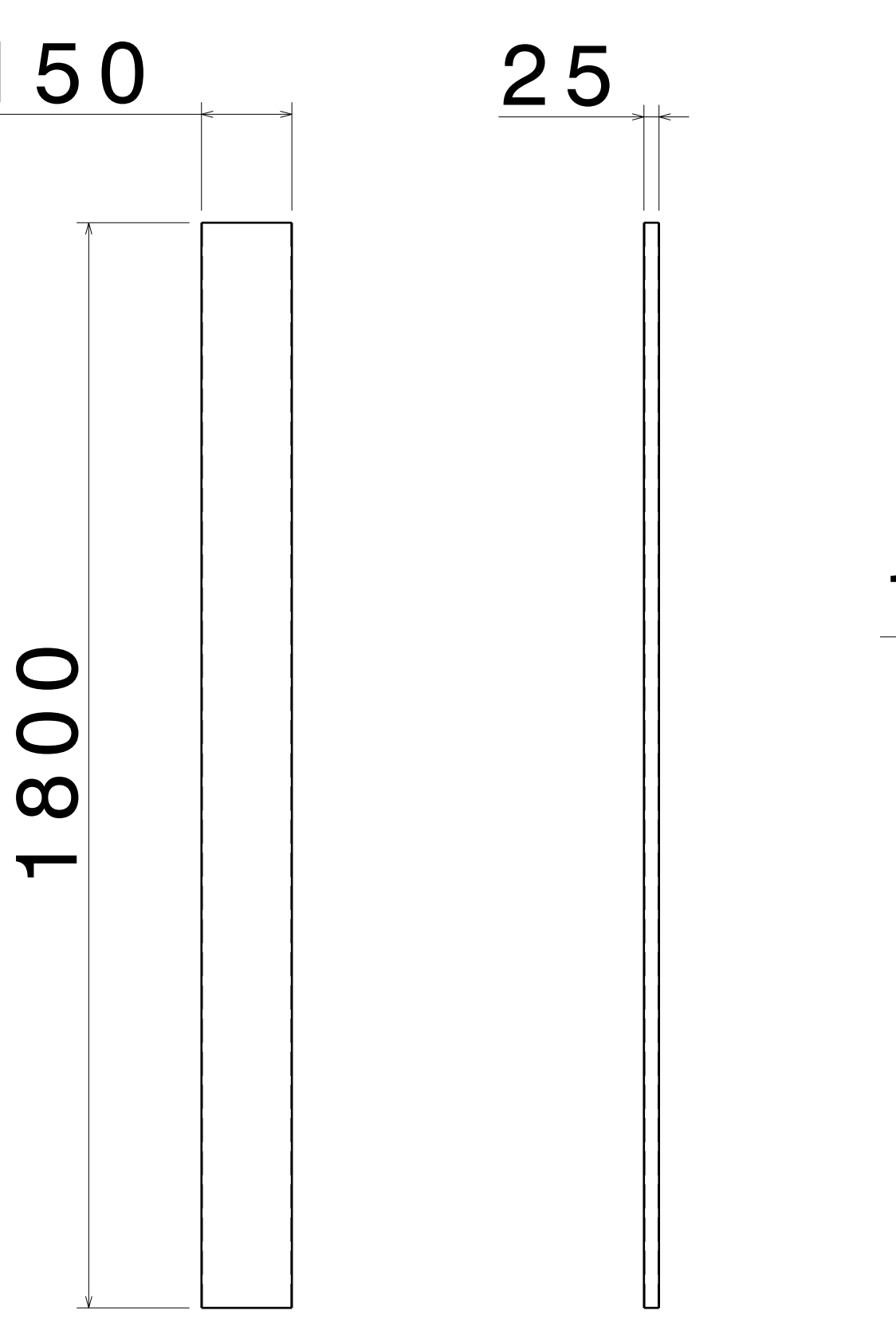
FRONT VIEW RIGHT VIEW
SCALE: 1:10 SCALE: 1:10

ITEM 2, RHS FRAME 2
THICKNESS - 2.0MM



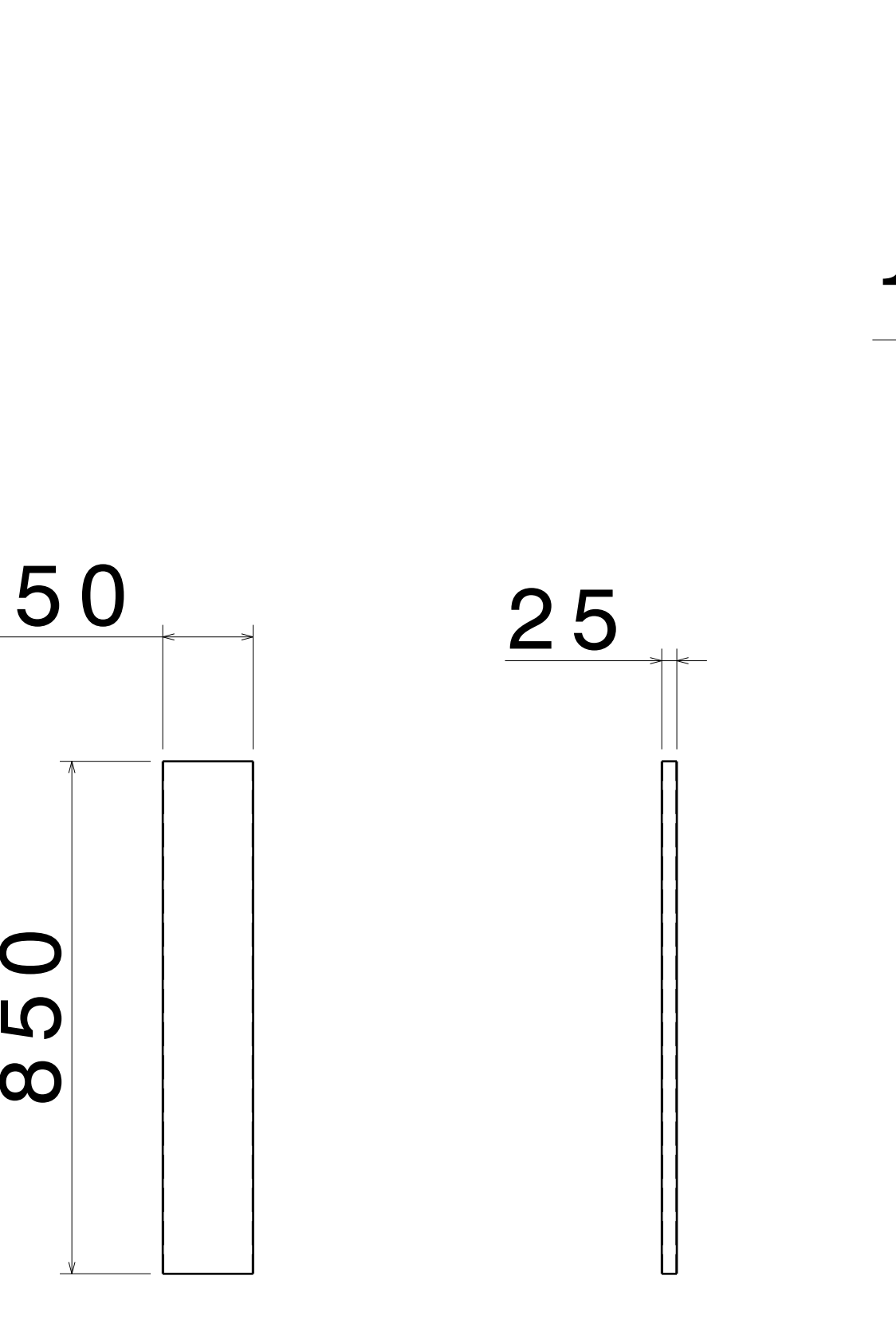
FRONT VIEW RIGHT VIEW
SCALE: 1:10 SCALE: 1:10

ITEM 3, RHS FRAME 3
THICKNESS - 2.0MM



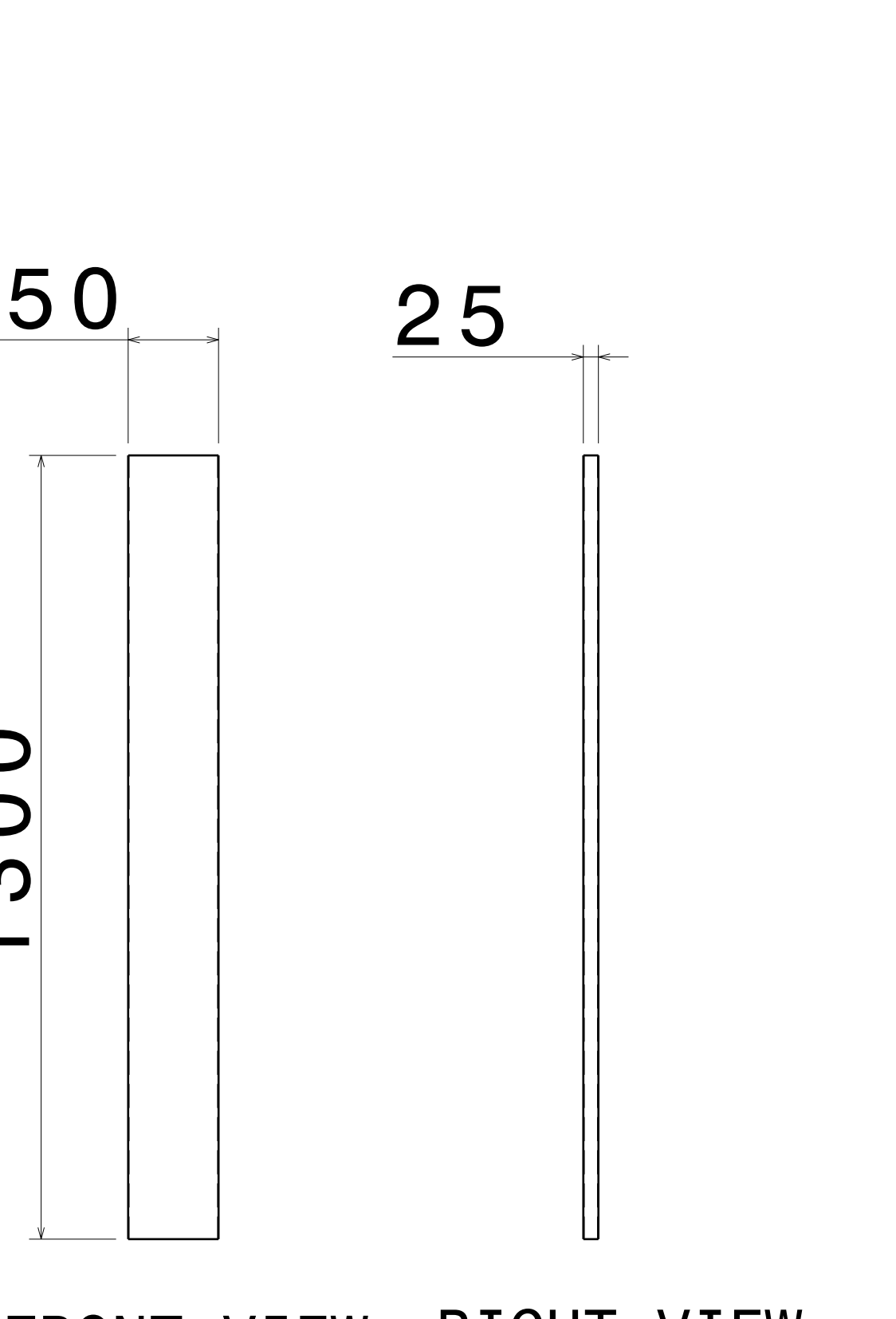
FRONT VIEW RIGHT VIEW
SCALE: 1:10 SCALE: 1:10

ITEM 4, RHS PLANK 1
THICKNESS - 1.6MM



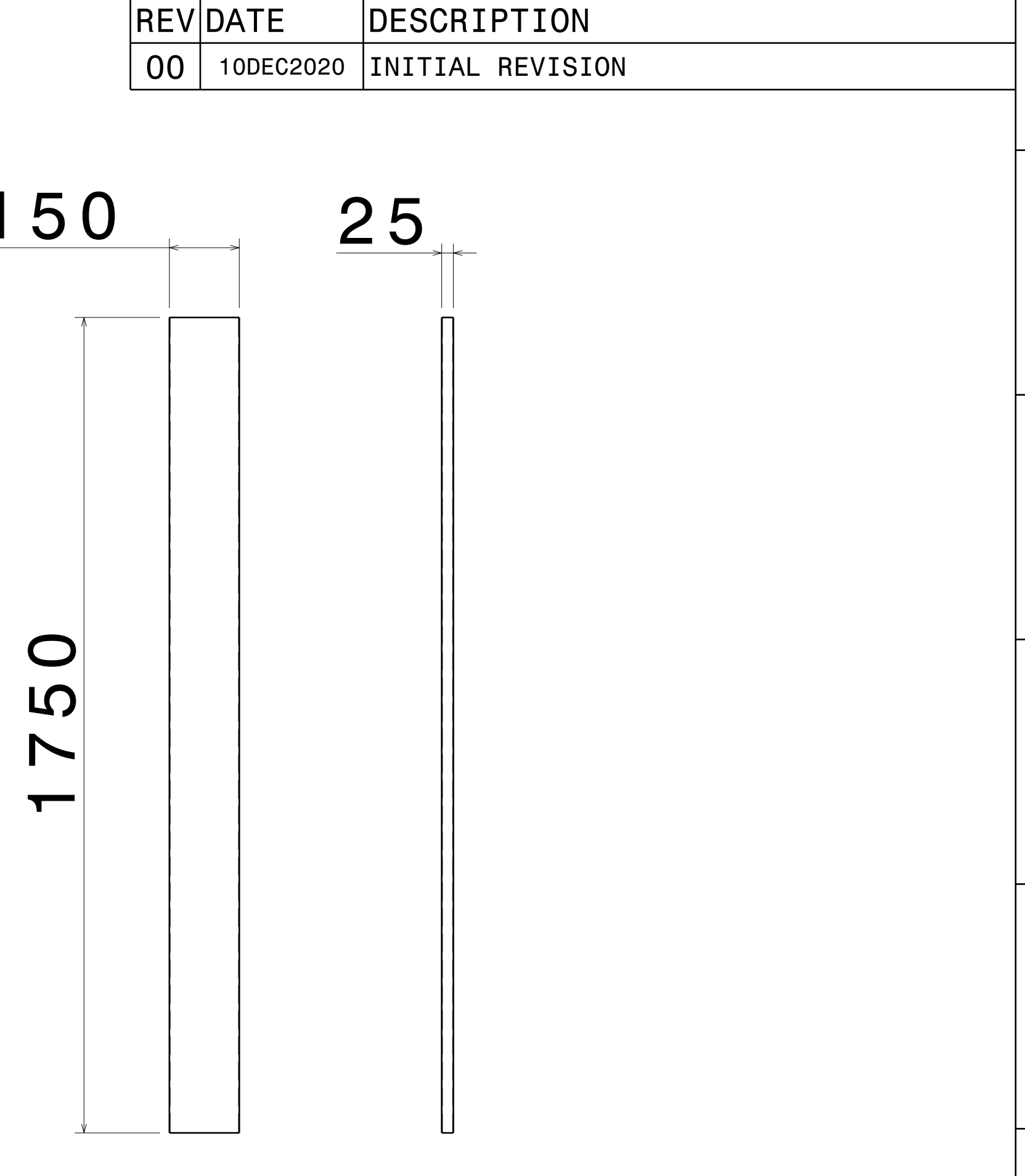
FRONT VIEW RIGHT VIEW
SCALE: 1:10 SCALE: 1:10

ITEM 5, RHS PLANK 2
THICKNESS - 1.6MM



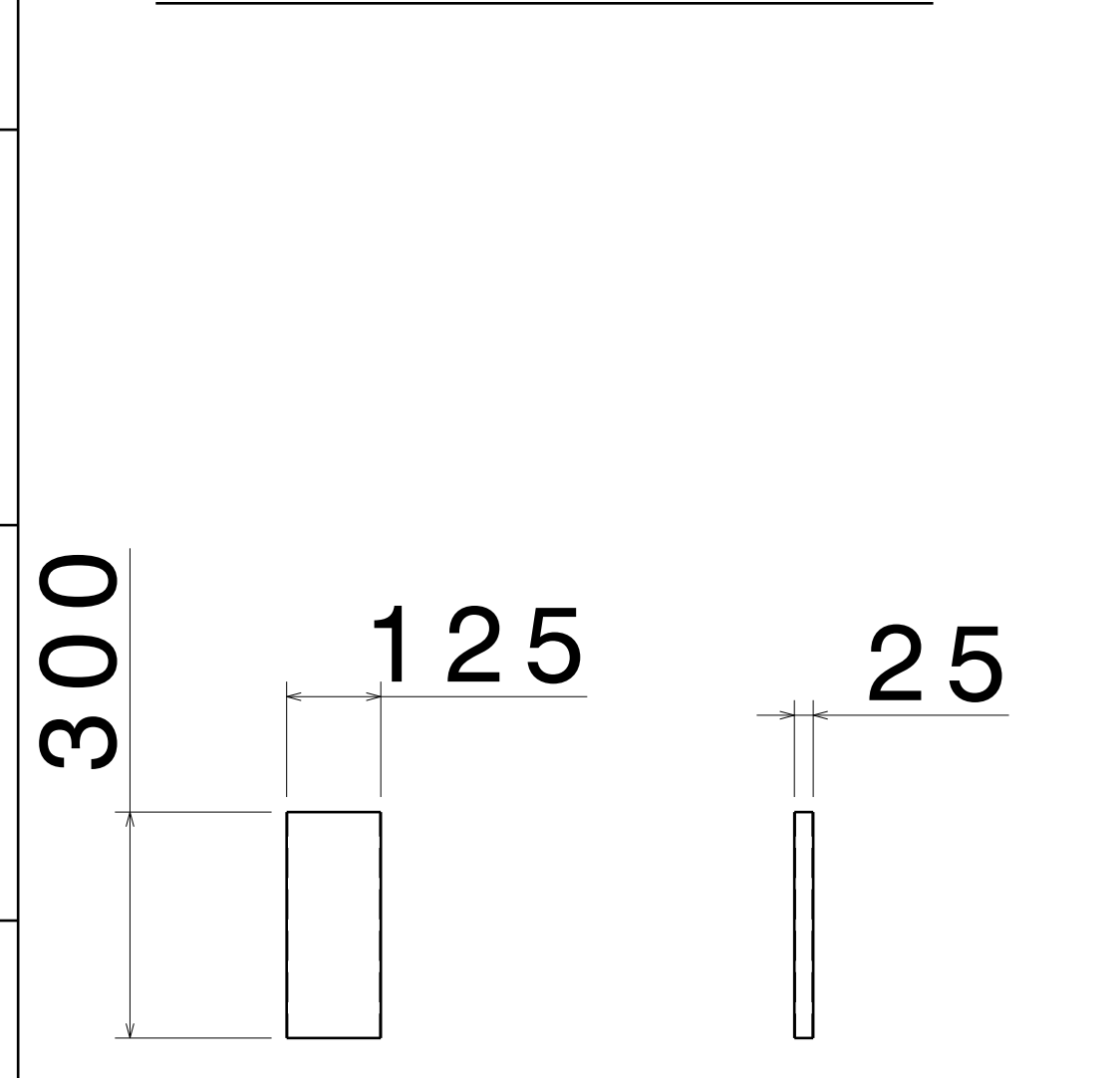
FRONT VIEW RIGHT VIEW
SCALE: 1:10 SCALE: 1:10

ITEM 6, RHS PLANK 3
THICKNESS - 1.6MM



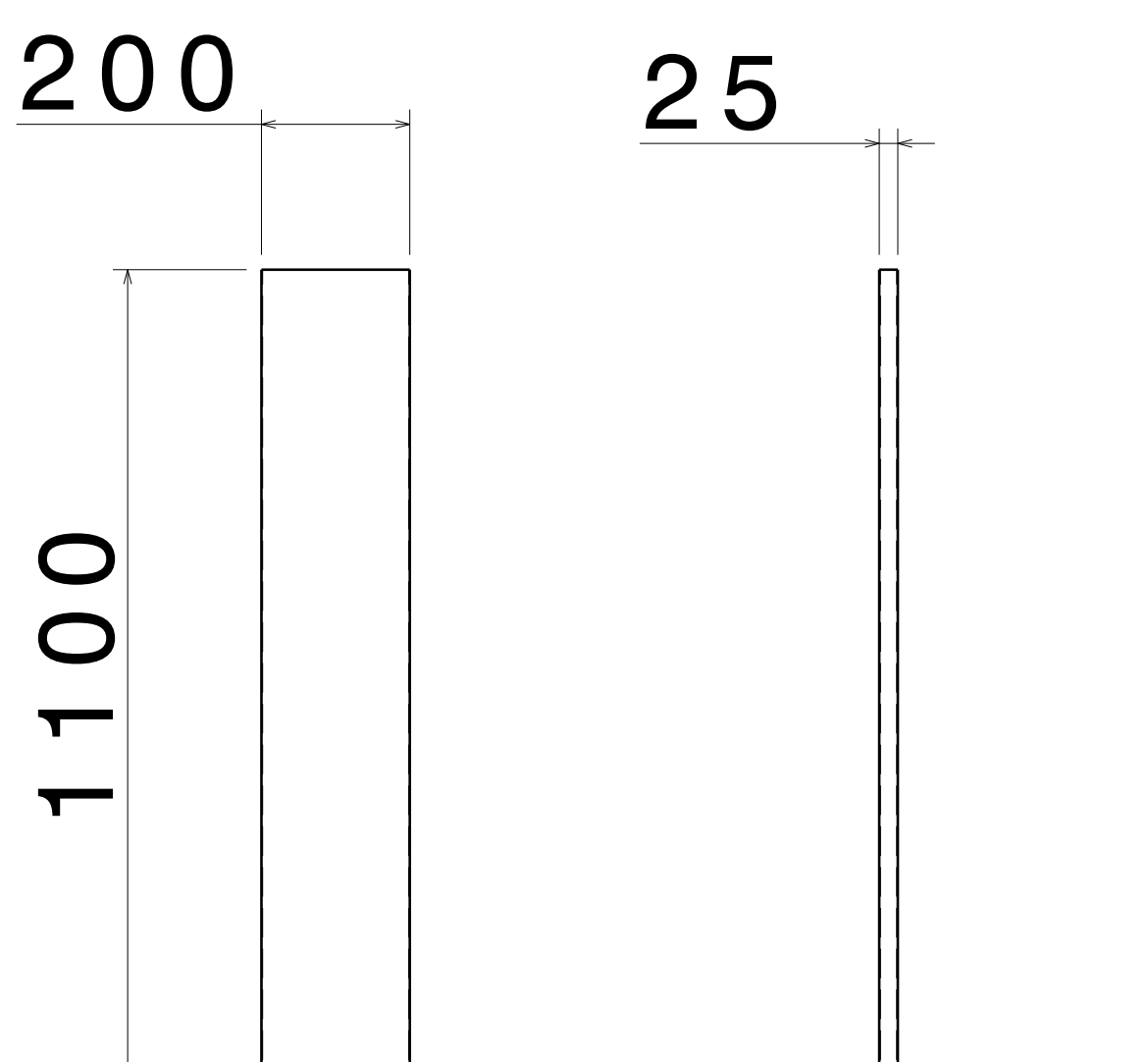
FRONT VIEW RIGHT VIEW
SCALE: 1:10 SCALE: 1:10

ITEM 7, RHS PLANK 4
THICKNESS - 1.6MM



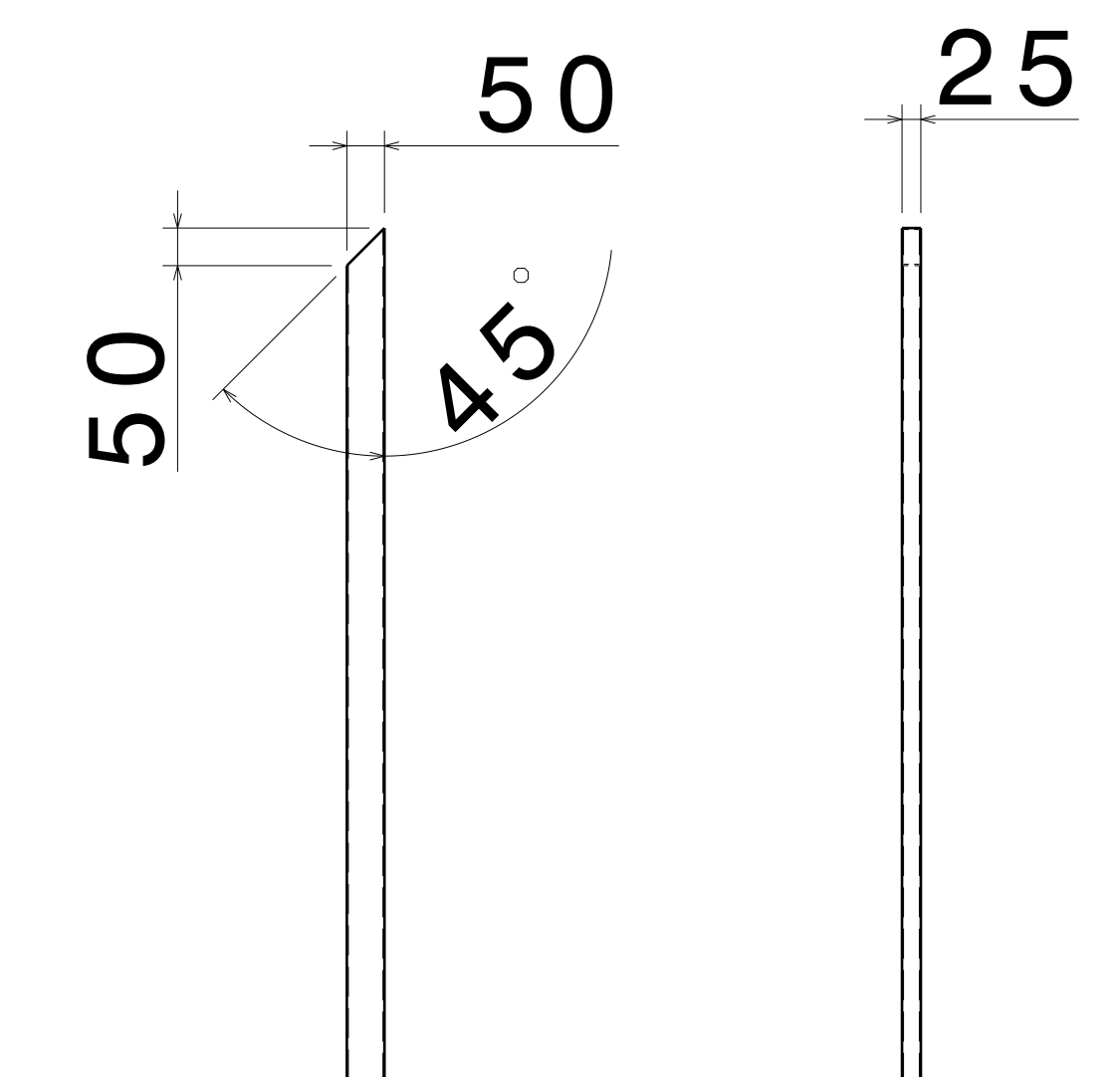
FRONT VIEW RIGHT VIEW
SCALE: 1:10 SCALE: 1:10

ITEM 8, RHS PLANK 5
THICKNESS - 1.6MM



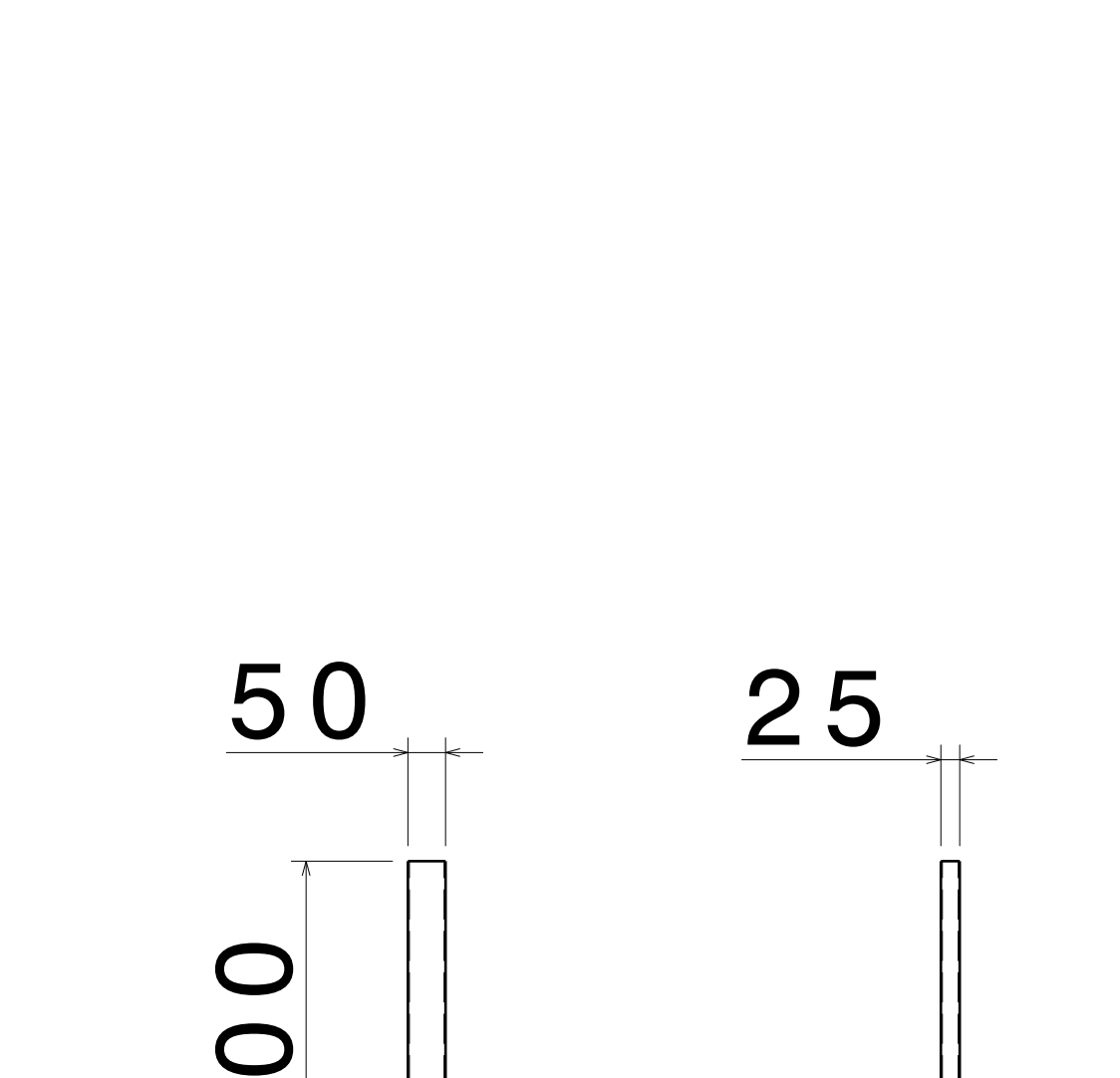
FRONT VIEW RIGHT VIEW
SCALE: 1:10 SCALE: 1:10

ITEM 9, RHS PLANK 6
THICKNESS - 1.6MM



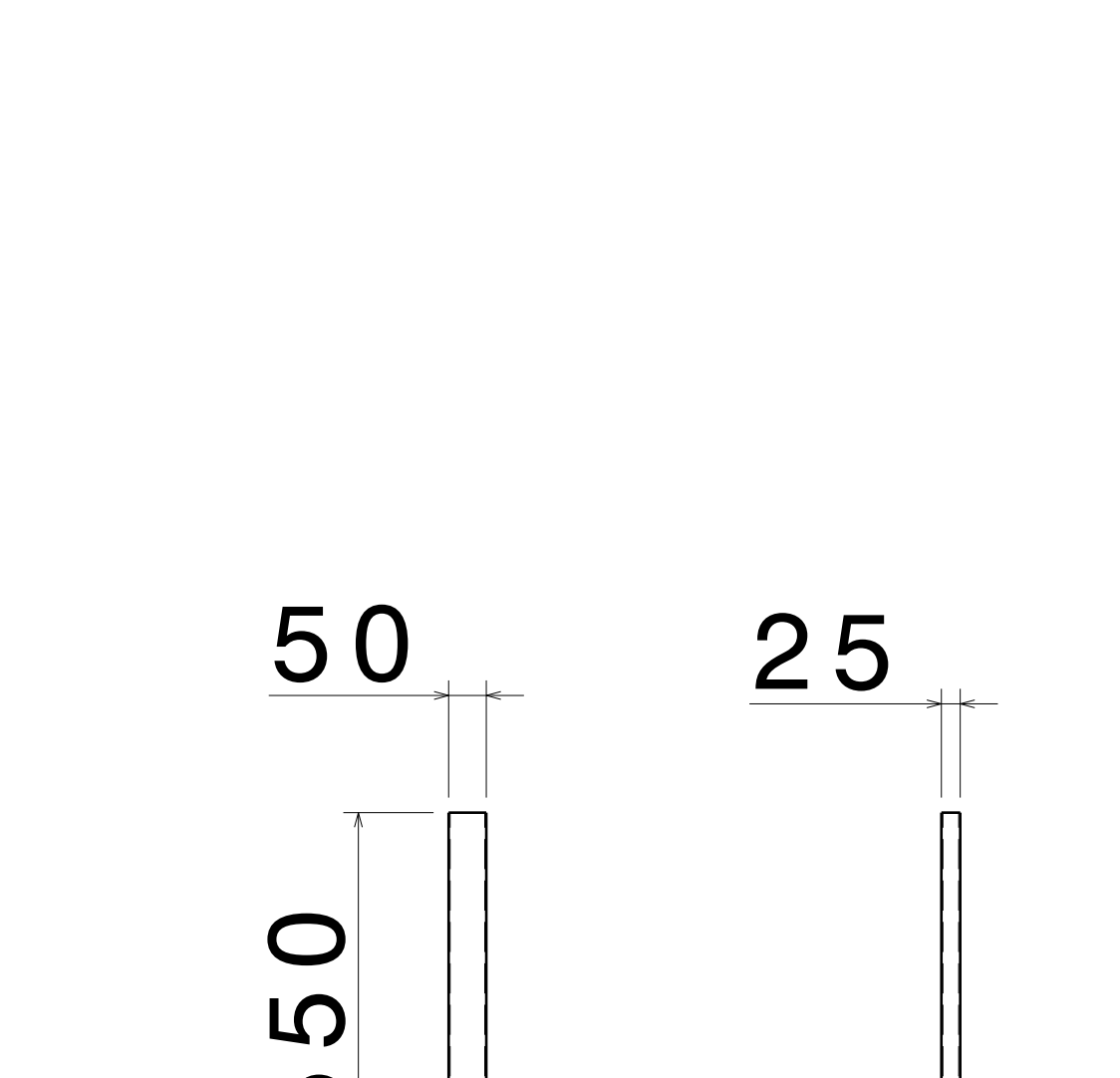
FRONT VIEW RIGHT VIEW
SCALE: 1:10 SCALE: 1:10

ITEM 10, RHS FRAME 4
THICKNESS - 2.0MM



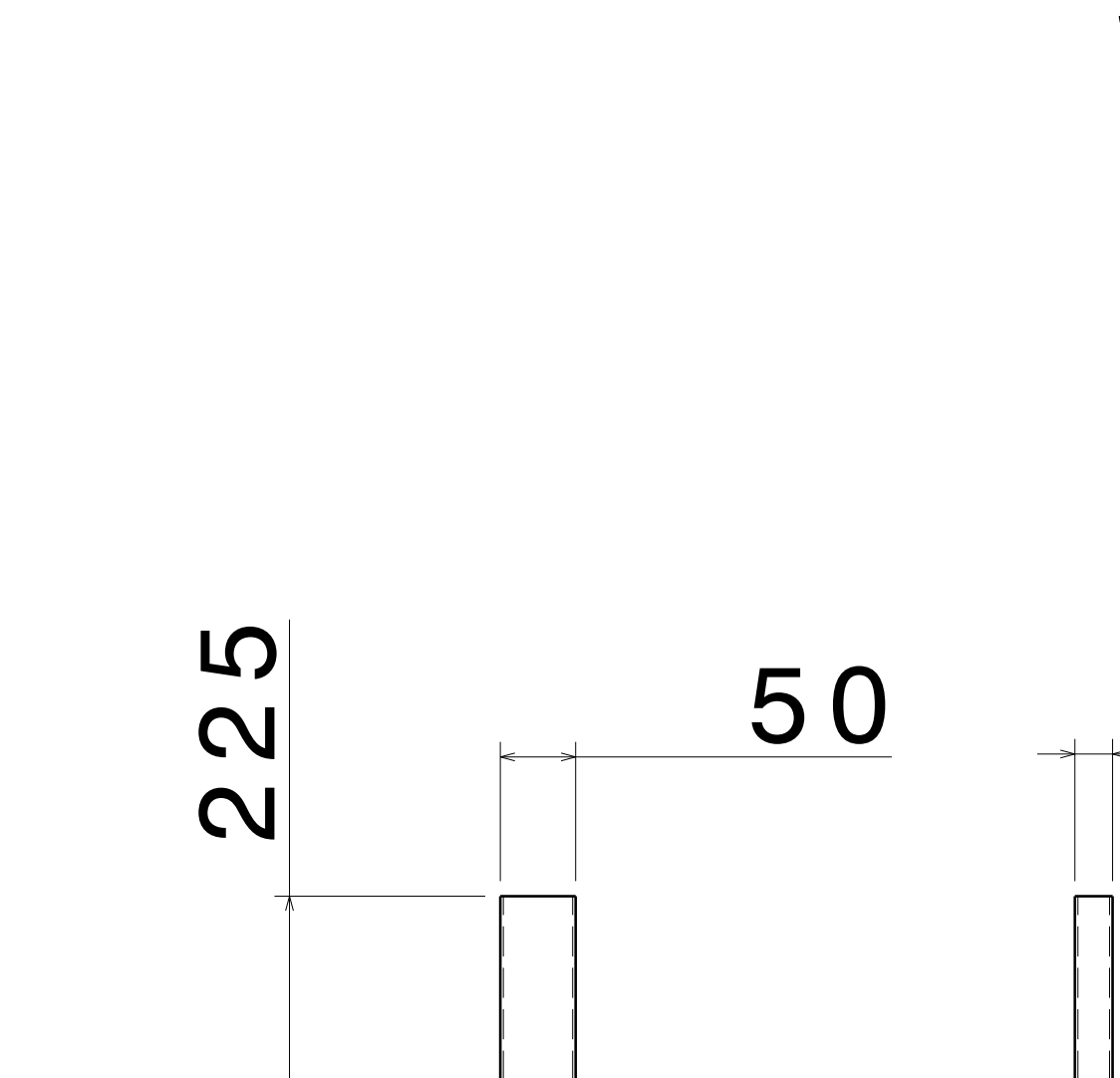
FRONT VIEW RIGHT VIEW
SCALE: 1:10 SCALE: 1:10

ITEM 11, RHS FRAME 5
THICKNESS - 2.0MM



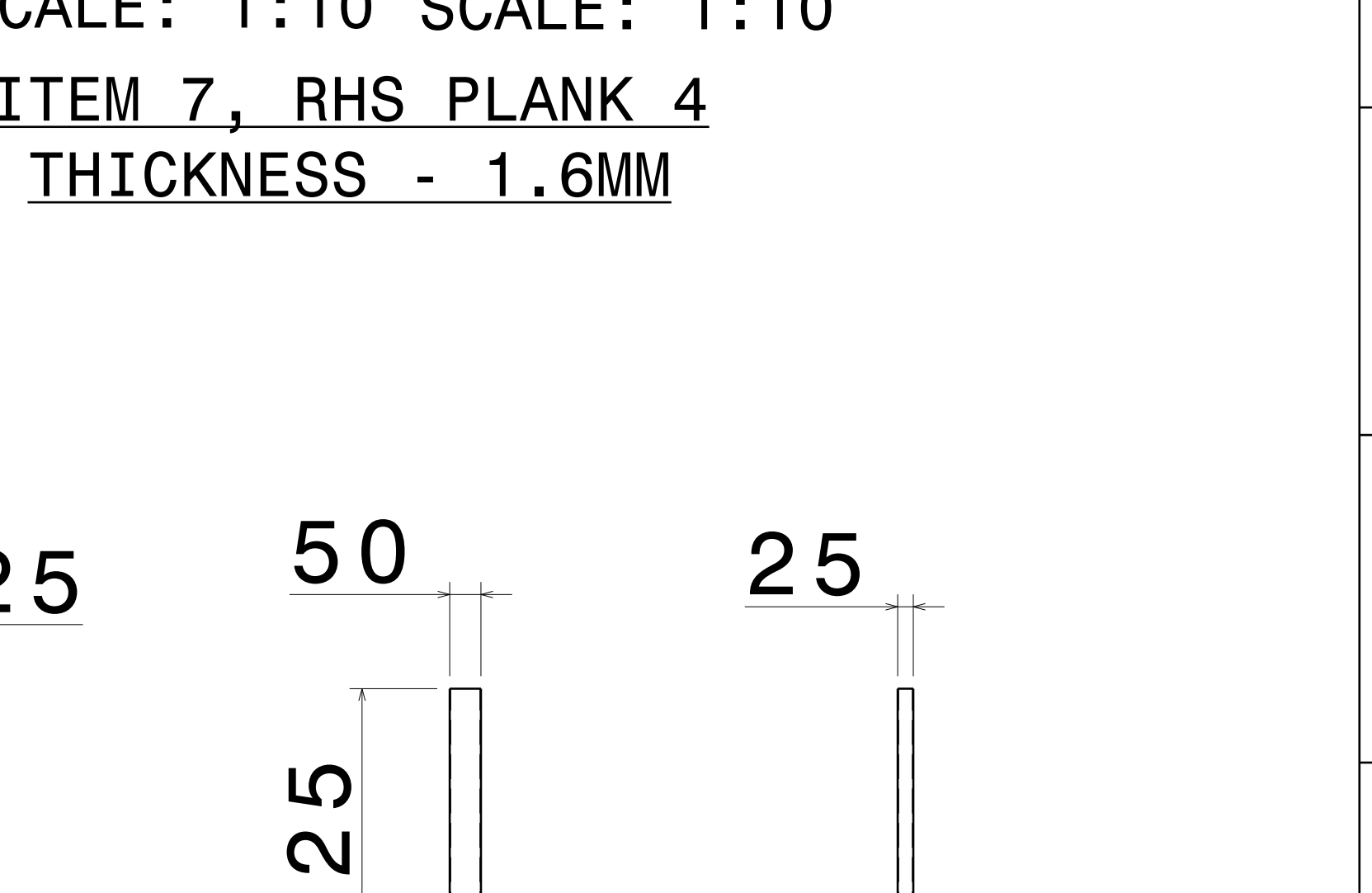
FRONT VIEW RIGHT VIEW
SCALE: 1:10 SCALE: 1:10

ITEM 12, RHS FRAME 6
THICKNESS - 2.0MM



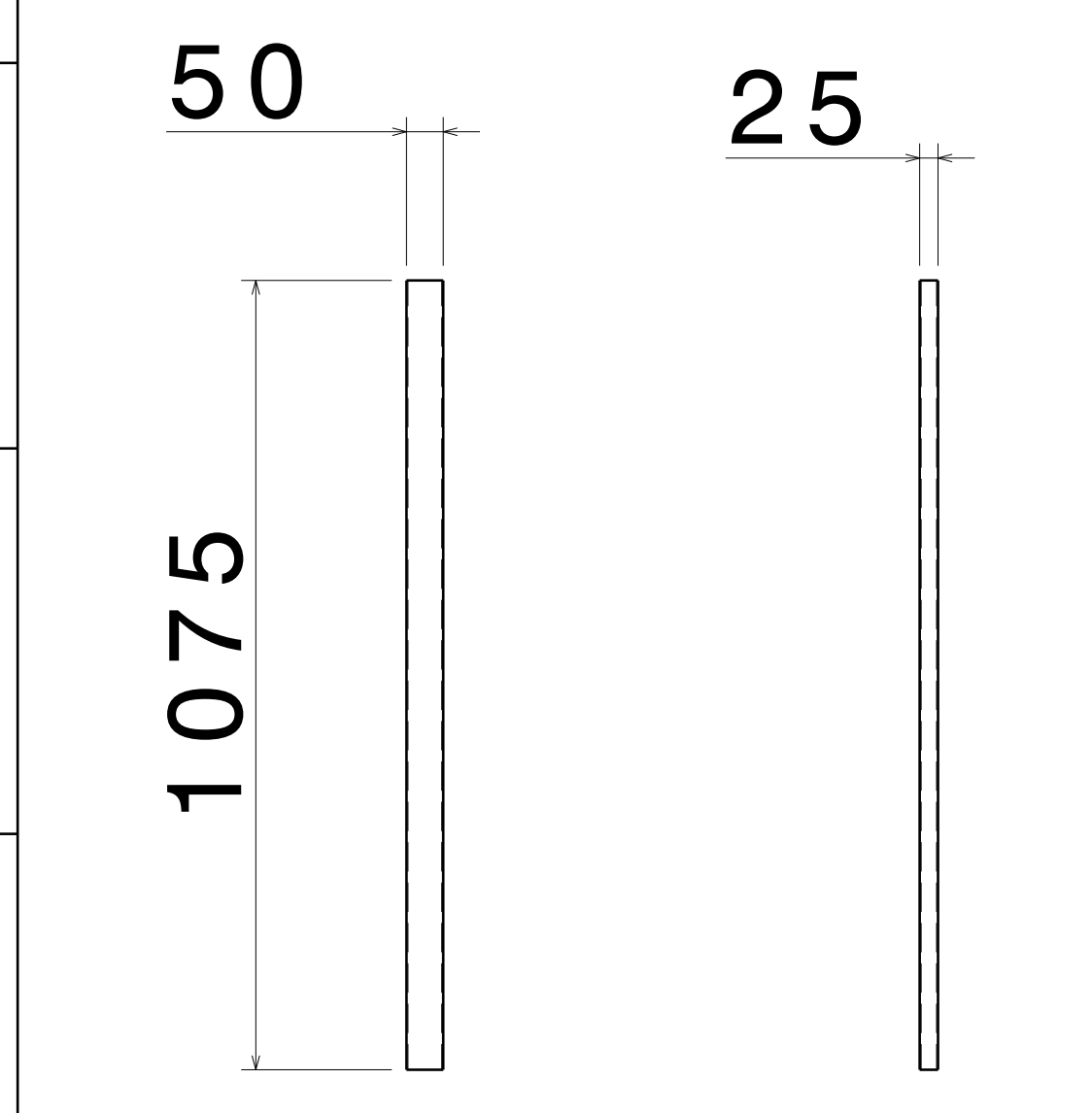
FRONT VIEW RIGHT VIEW
SCALE: 1:5 SCALE: 1:10

ITEM 13, RHS FRAME 7
THICKNESS - 2.0MM



FRONT VIEW RIGHT VIEW
SCALE: 1:10 SCALE: 1:10

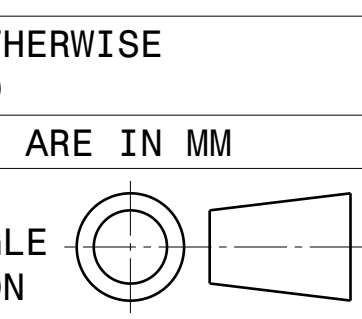
ITEM 14, RHS FRAME 8
THICKNESS - 2.0MM



FRONT VIEW RIGHT VIEW
SCALE: 1:10 SCALE: 1:10

ITEM 15, RHS FRAME 9
THICKNESS - 2.0MM

UNLESS OTHERWISE SPECIFIED DIMENSION ARE IN MM
VIEWS: THIRD ANGLE PROJECTION



This drawing is our property. It can't be reproduced or communicated without our written agreement.

DRAWN BY	DATE
SB	10DEC2020
CHECKED BY	DATE
P2P Analysis & Solutions	10DEC2020
DESIGNED BY	DATE
P2P Analysis & Solutions	10DEC2020

APL APOLLO TUBES LTD.	
DRAWING TITLE	
DEC 20_5	
SIZE	DRAWING NUMBER
A0	P2P DEC 20_5
SCALE	WEIGHT (kg)
NONE	XXX
SHEET 3 OF 3	