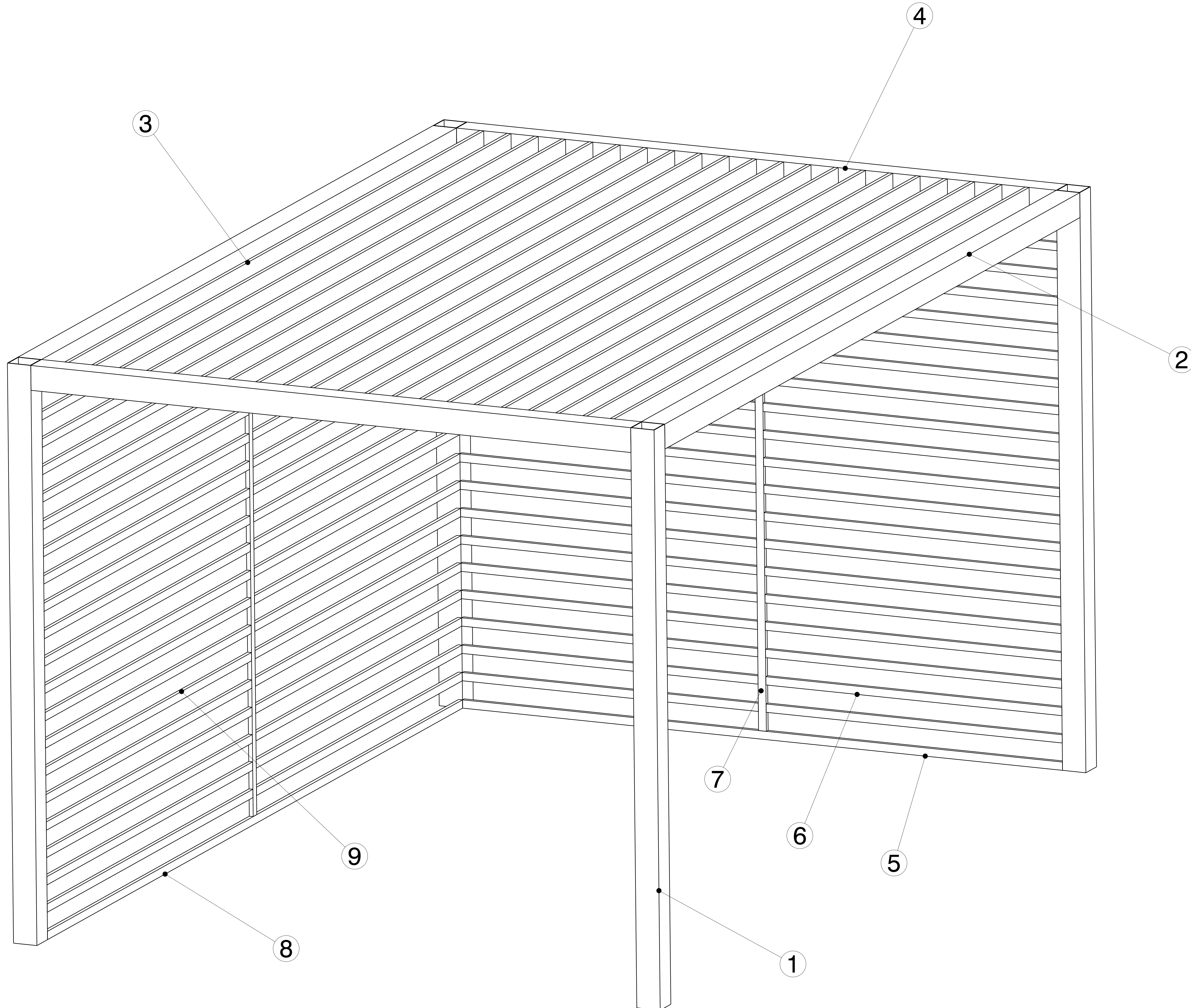


REV/DATE	DESCRIPTION
00 1DEC2020	INITIAL REVISION

- NOTES:
- (⊥) ALL VERTICAL SUPPORTS ARE PERPENDICULAR.
  - FLATNESS OF .5MM IS APPLIED BY DEFAULT.
  - ⊘ WELD BEAD OF 2MM RADIUS IS FOLLOWED.
  - ▽ SURFACE FINISH MEDIUM TO SMOOTH IS USED.
  - ALL TUBES ARE AS PER APL APOLLO STANDARD. CHANGES MAY EFFECT THE LOAD CAPACITY.
  - ALL HORIZONTAL AND VERTICAL TUBES ARE PERPENDICULAR TO EACH OTHER WITH ±1 DEG.
  - FINE WELDING IS REQUIRED AS PER MENTIONED DETAILS AND FINISHING.
  - HIGHER CURRENT WELDING MAY AFFECT THE BRITTLENESS OF MATERIAL WHICH LATER MAY RAISE TO WEAKENING OF STRUCTURE.
  - FABRICATORS ARE ALLOWED TO USE FITTINGS/FRAMES/SUPPORTS AS NEEDED AND THE SAME MUST BE COMMUNICATED BACK TO ENGINEERING TEAM.
  - BOP COMPONENT WEIGHTS ARE FOR REFERENCE ONLY AND SUBJECTED TO CHANGE PER PURCHASED COMPONENTS.



ISOMETRIC VIEW  
SCALE:1:10

ITEM NO.	PART NUMBER	DESCRIPTION	QTY.	Wt (Kg)/Each
9	RHS FRAME 5	50 X 25 X 2 X 2900	38	6.47
8	RHS FRAME 4	50 X 25 X 2 X 5850	1	13.06
7	RHS FRAME 3	50 X 25 X 2 X 3300	2	7.37
6	RHS FRAME 2	50 X 25 X 2 X 1900	38	4.24
5	RHS FRAME 1	50 X 25 X 2 X 3850	1	8.59
4	SHS FRAME 3	150 X 150 X 4 X 3850	2	70.69
3	RHS PLANK 1	150 X 25 X 1.6 X 5850	21	25.28
2	SHS FRAME 2	150 X 150 X 4 X 5850	2	107.41
1	SHS FRAME 1	150 X 150 X 4 X 3500	4	64.26

This drawing is our property. It can't be reproduced or communicated without our written agreement.

APL APOLLO TUBES LTD.

DRAWING TITLE: DEC 20 6

DRAWN BY: VM DATE: 1DEC2020

CHECKED BY: P2P Analysis & Solutions DATE: 1DEC2020

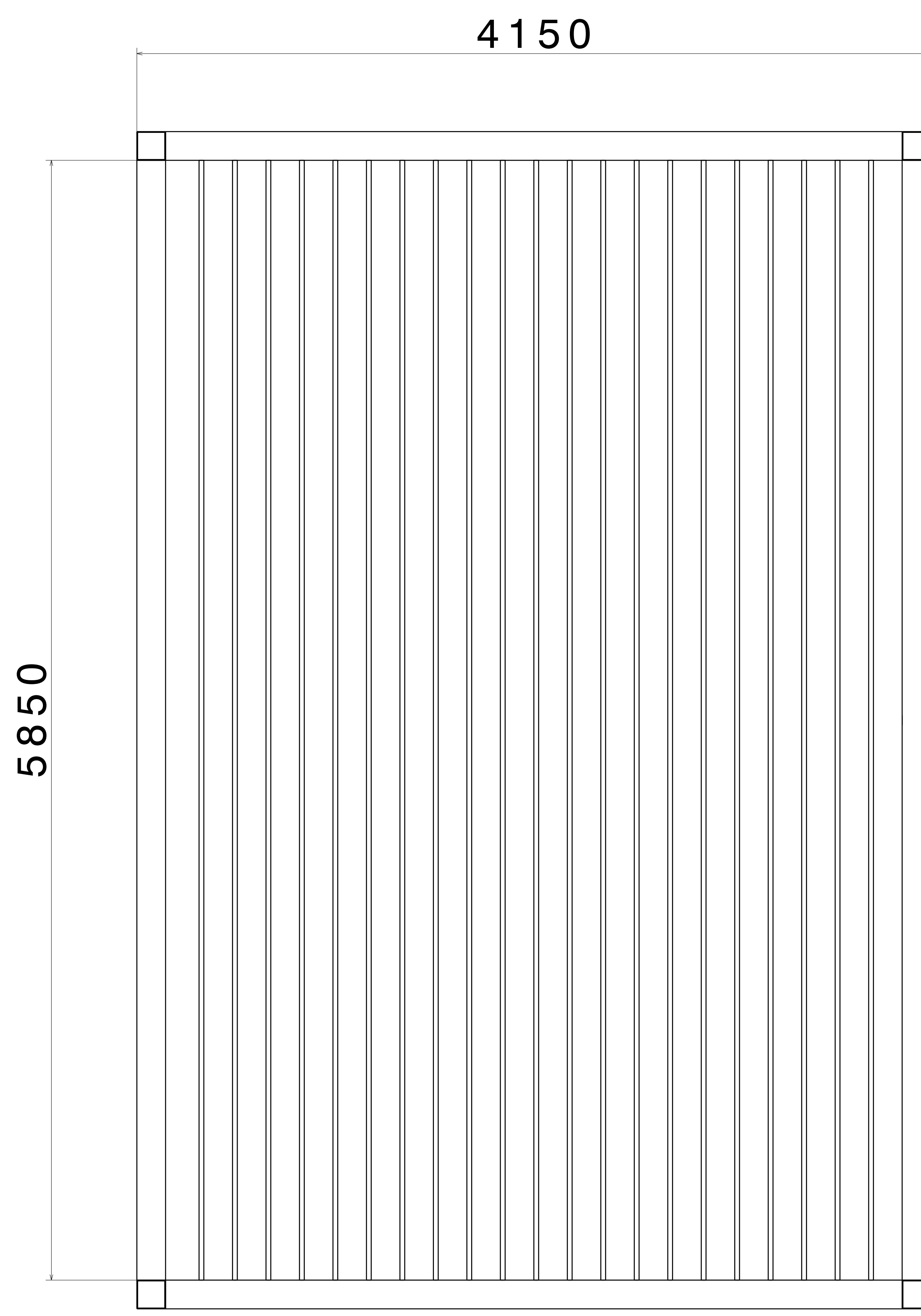
DESIGNED BY: P2P Analysis & Solutions DATE: 1DEC2020

SIZE: A0 DRAWING NUMBER: P2P DEC 20 6 REV: 00

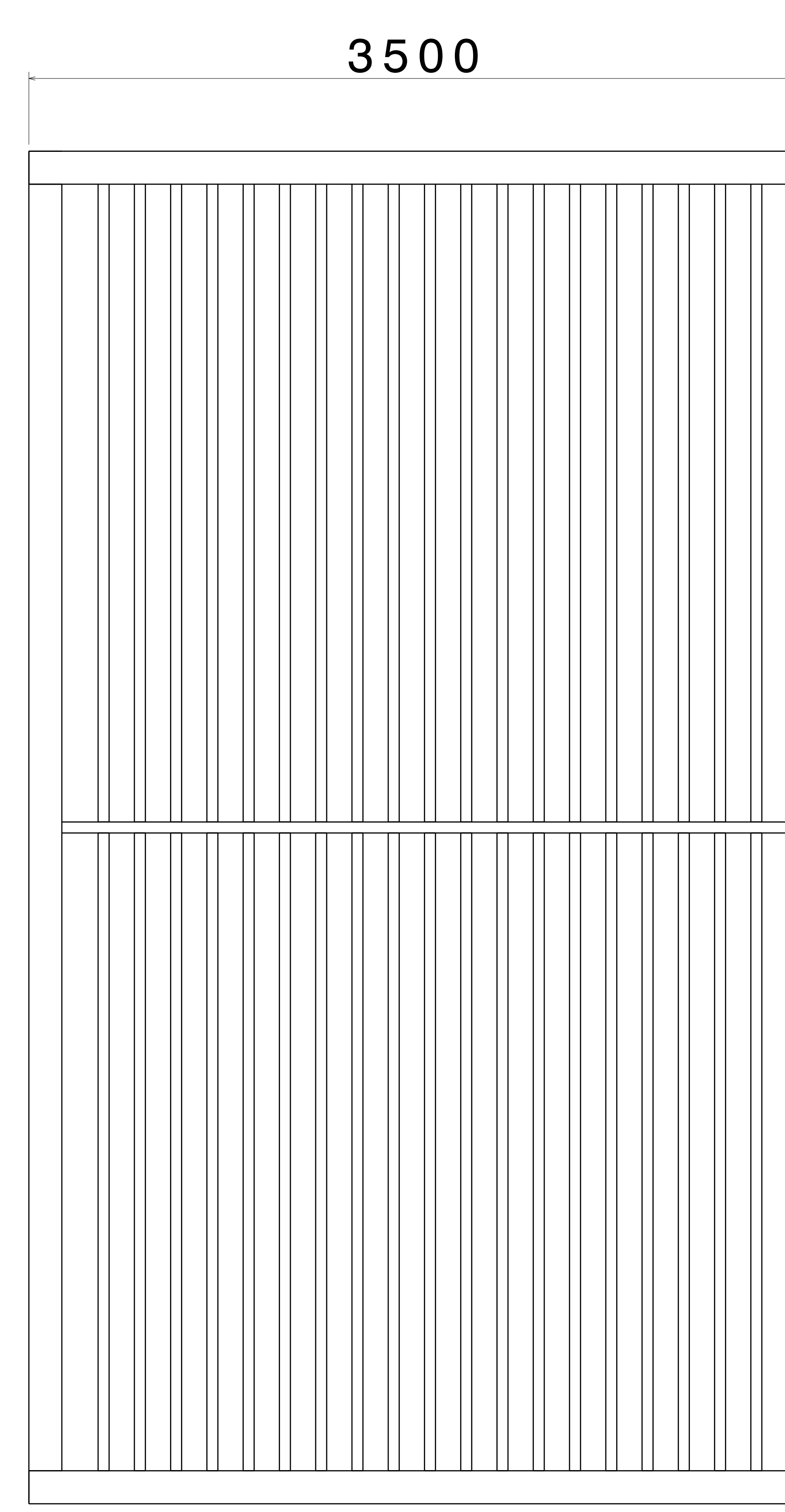
SCALE: As Indicated WEIGHT(kg): 0kg SHEET 1 OF 3

UNLESS OTHERWISE SPECIFIED DIMENSION ARE IN MM VIEWS: THIRD ANGLE PROJECTION

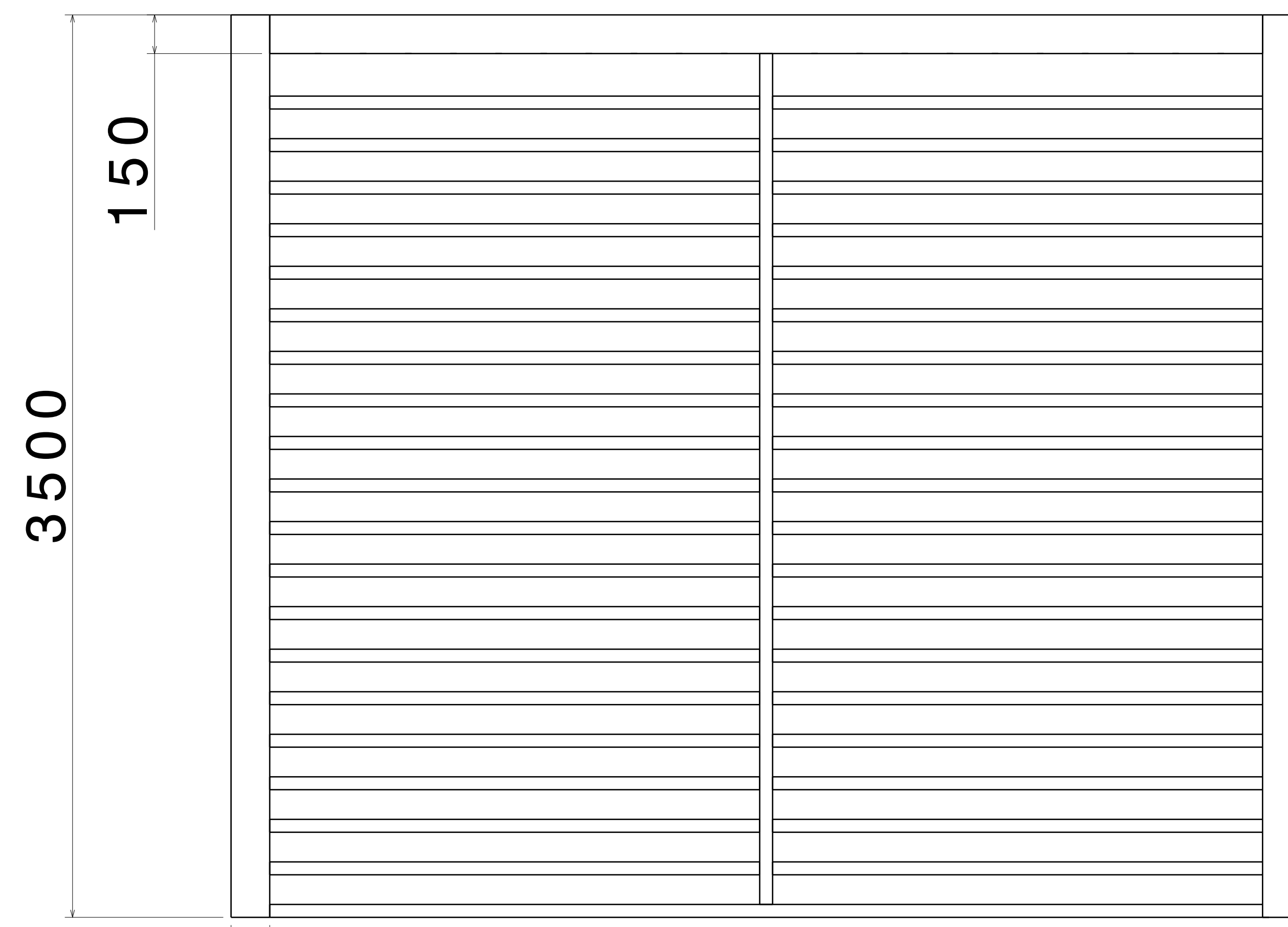
REV	DATE	DESCRIPTION
00	1DEC2020	INITIAL REVISION



FRONT VIEW  
SCALE: 1:15



RIGHT VIEW  
SCALE: 1:15

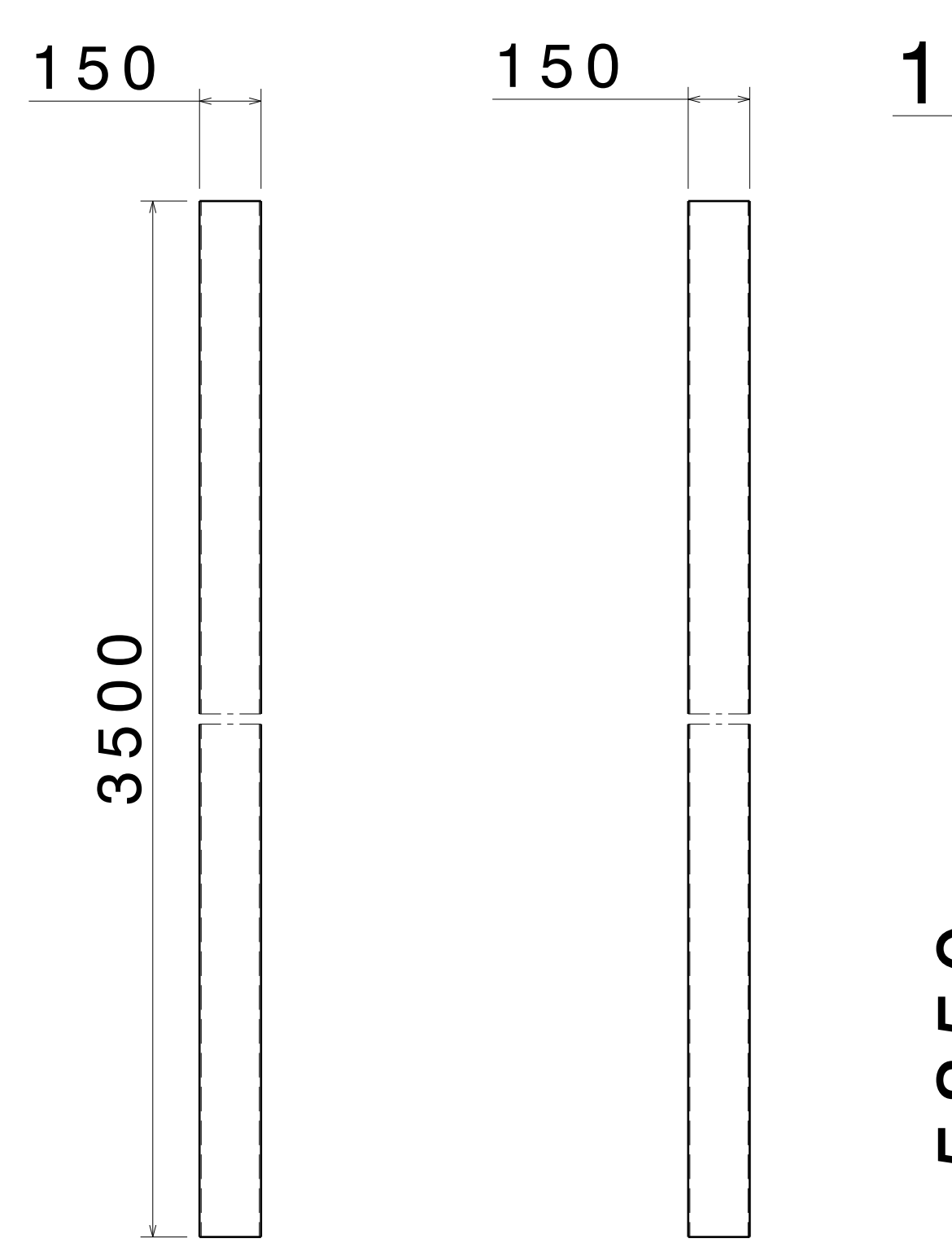


BOTTOM VIEW  
SCALE: 1:15

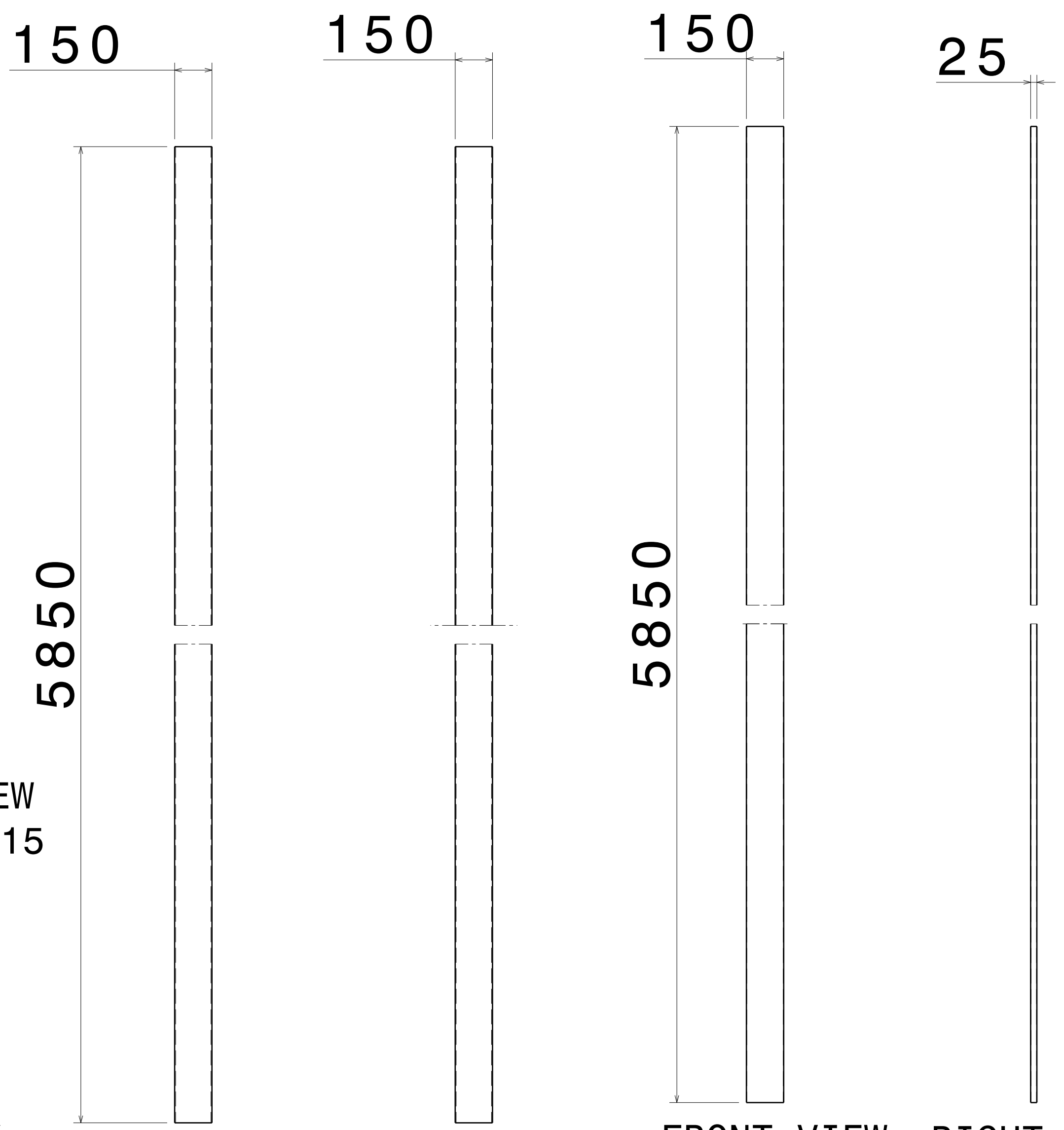
UNLESS OTHERWISE SPECIFIED DIMENSION ARE IN MM  
VIEWS: THIRD ANGLE PROJECTION

This drawing is our property. It can't be reproduced or communicated without our written agreement.		APL APOLLO TUBES LTD.	
DRAWN BY SB		DATE 1DEC2020	
CHECKED BY P2P Analysis & Solutions		DATE 1DEC2020	
DESIGNED BY P2P Analysis & Solutions		DATE 1DEC2020	
DRAWING TITLE DEC 20_6		SIZE A0	DRAWING NUMBER P2P_DEC 20_6
SCALE NONE		WEIGHT (kg) XXX	REV 00
		SHEET 2 OF 3	

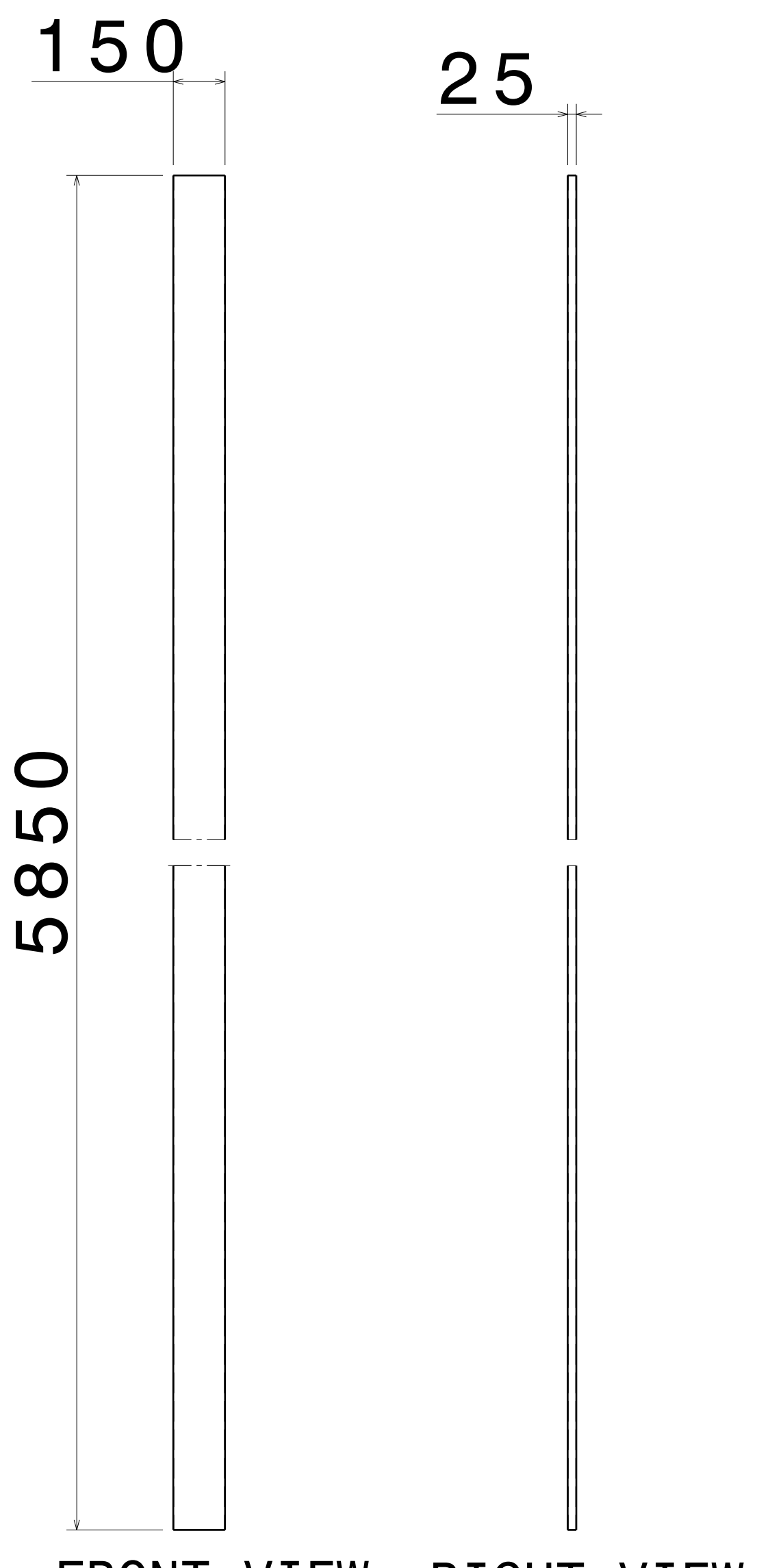
REV	DATE	DESCRIPTION
00	1DEC2020	INITIAL REVISION



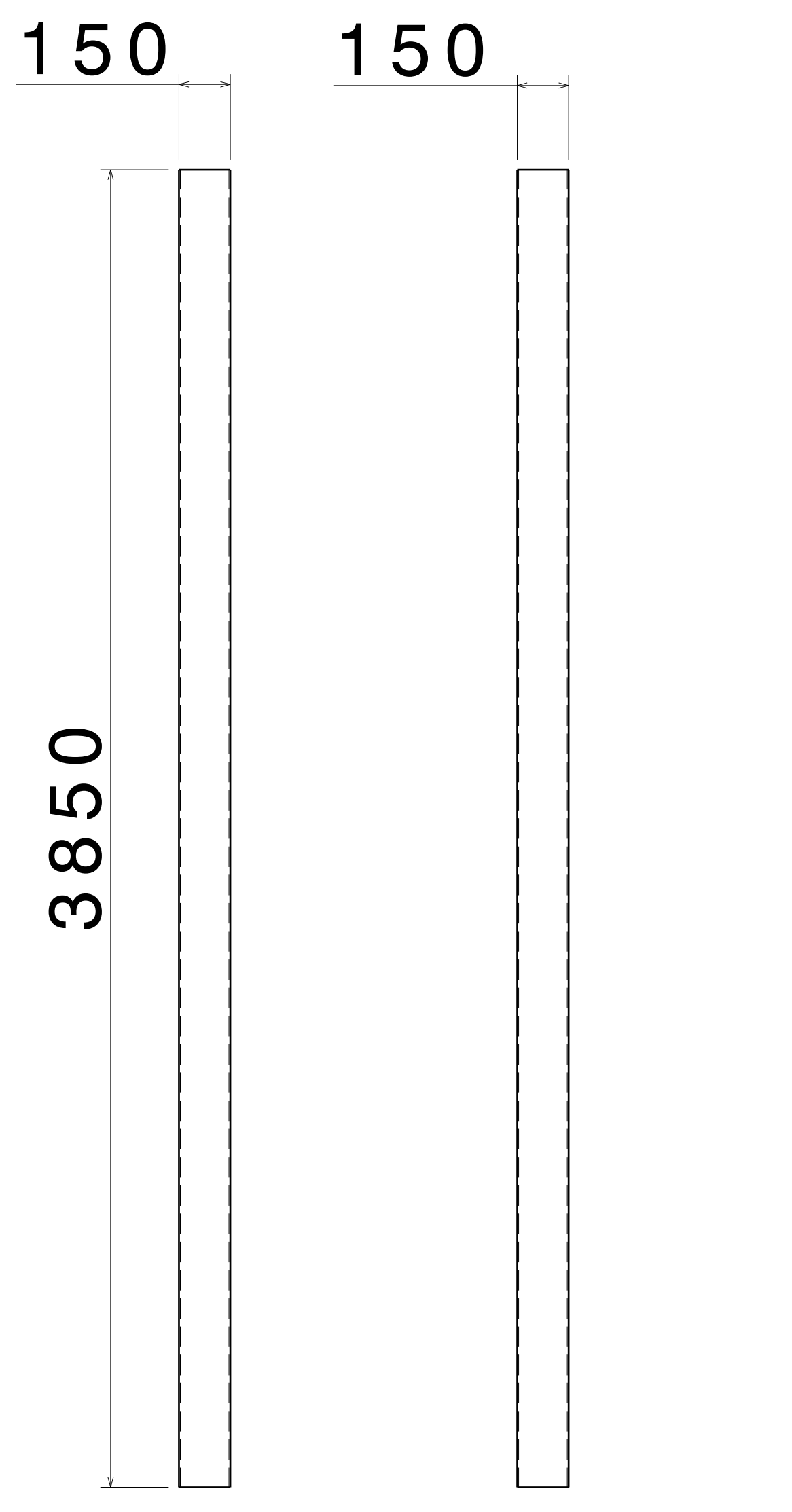
FRONT VIEW RIGHT VIEW  
SCALE: 1:15 SCALE: 1:15  
ITEM 1, SHS FRAME 1  
THICKNESS - 4.0MM



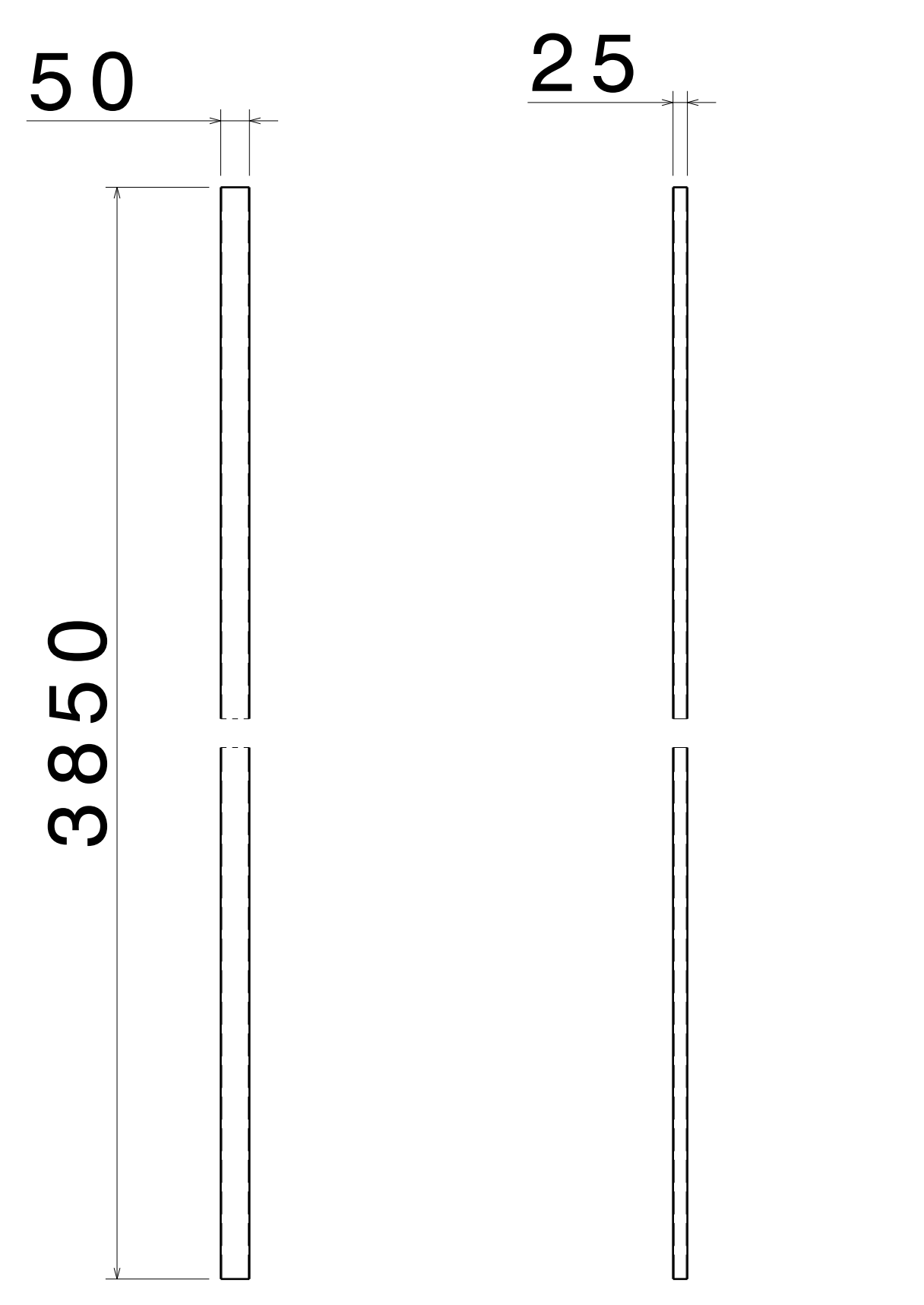
FRONT VIEW RIGHT VIEW  
SCALE: 1:15 SCALE: 1:15  
ITEM 2, SHS FRAME 2  
THICKNESS - 4.0 MM



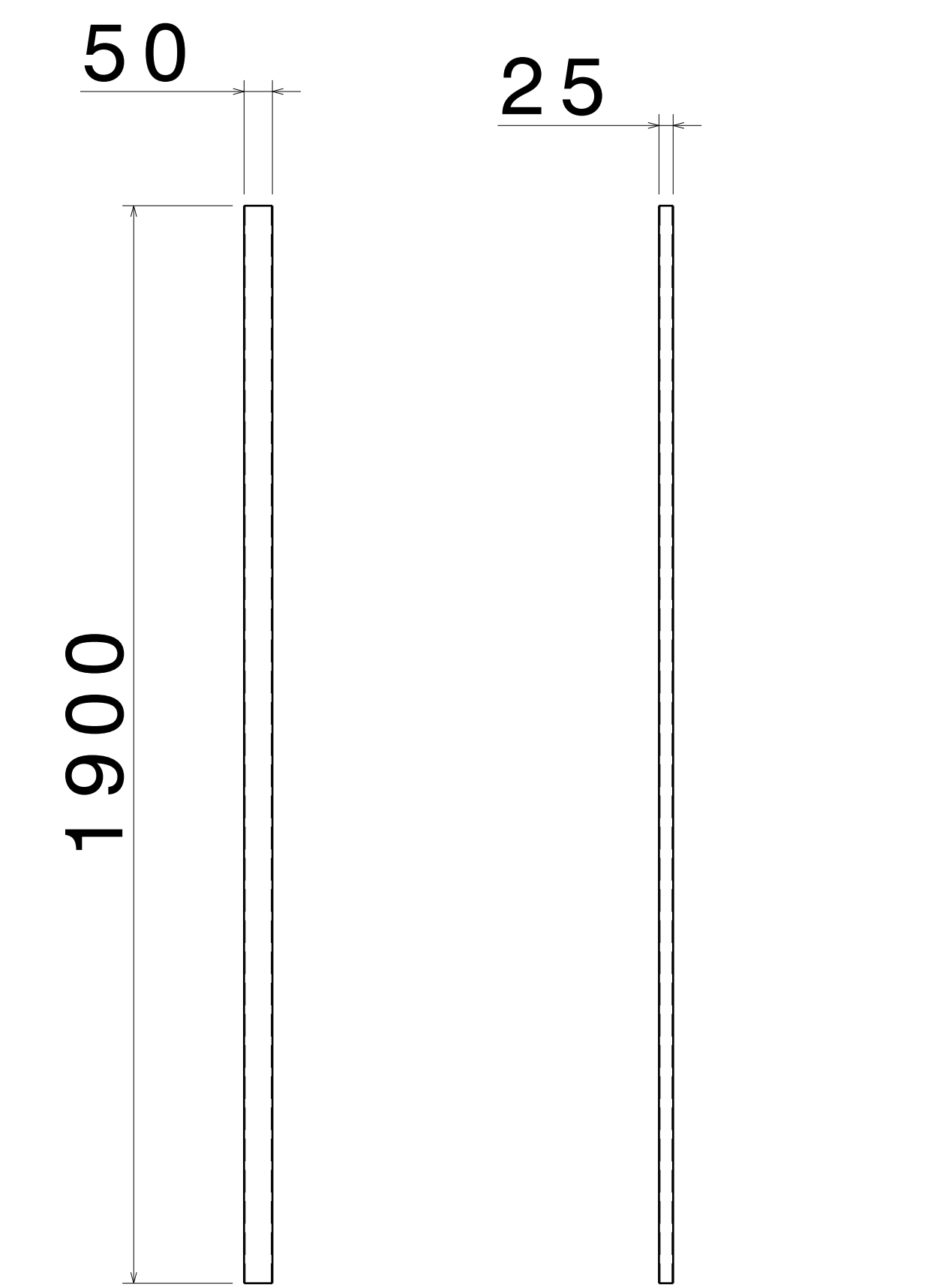
FRONT VIEW RIGHT VIEW  
SCALE: 1:15 SCALE: 1:15  
ITEM 3, RHS PLANK 1  
THICKNESS -1.6 MM



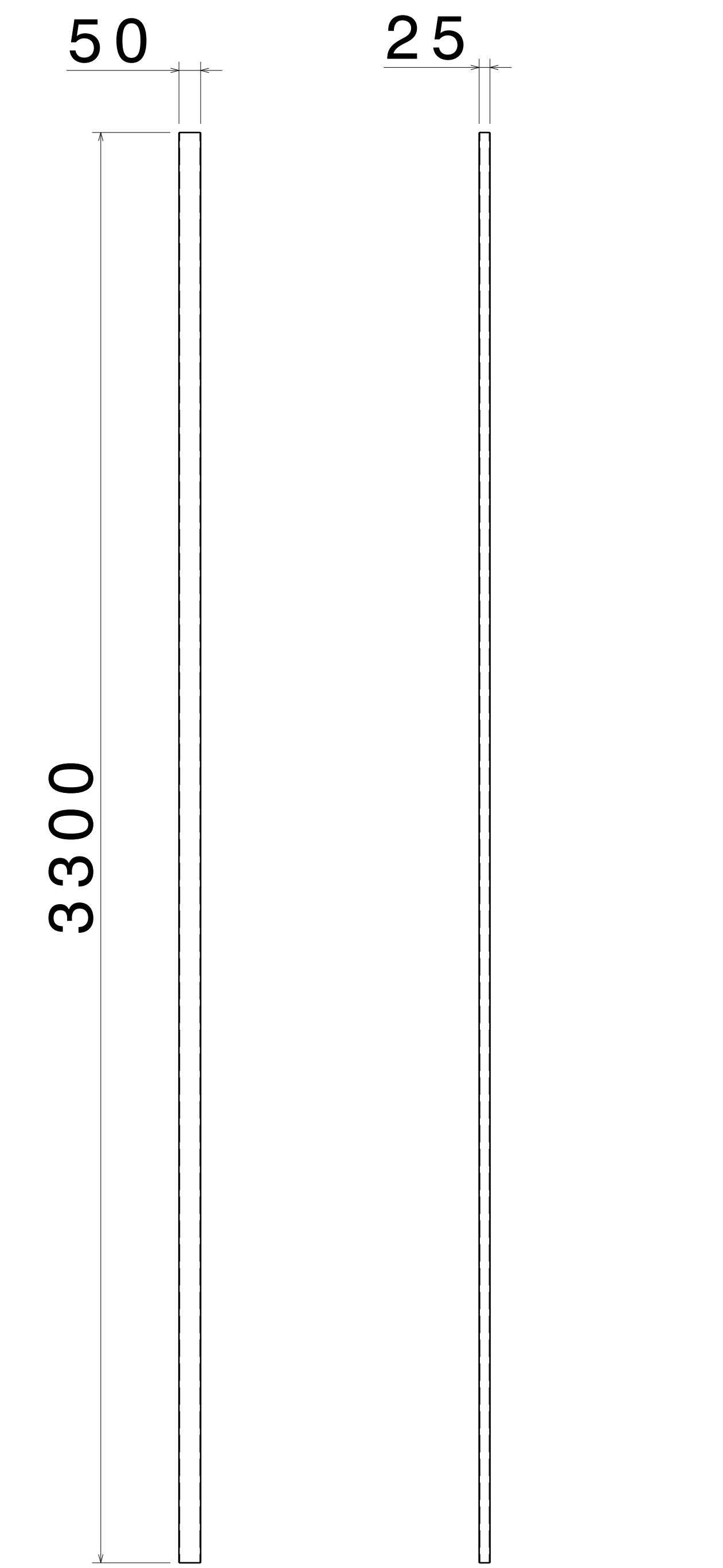
FRONT VIEW RIGHT VIEW  
SCALE: 1:15 SCALE: 1:15  
ITEM 4, SHS FRAME 3  
THICKNESS - 4.0 MM



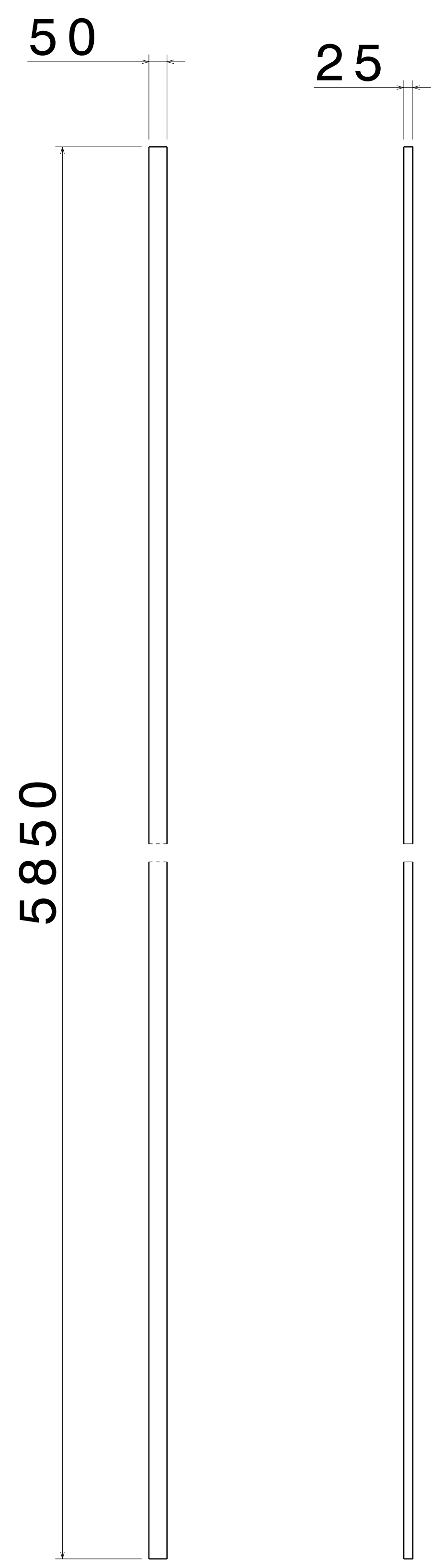
FRONT VIEW RIGHT VIEW  
SCALE: 1:10 SCALE: 1:10  
ITEM 5, RHS FRAME 1  
THICKNESS - 2.0 MM



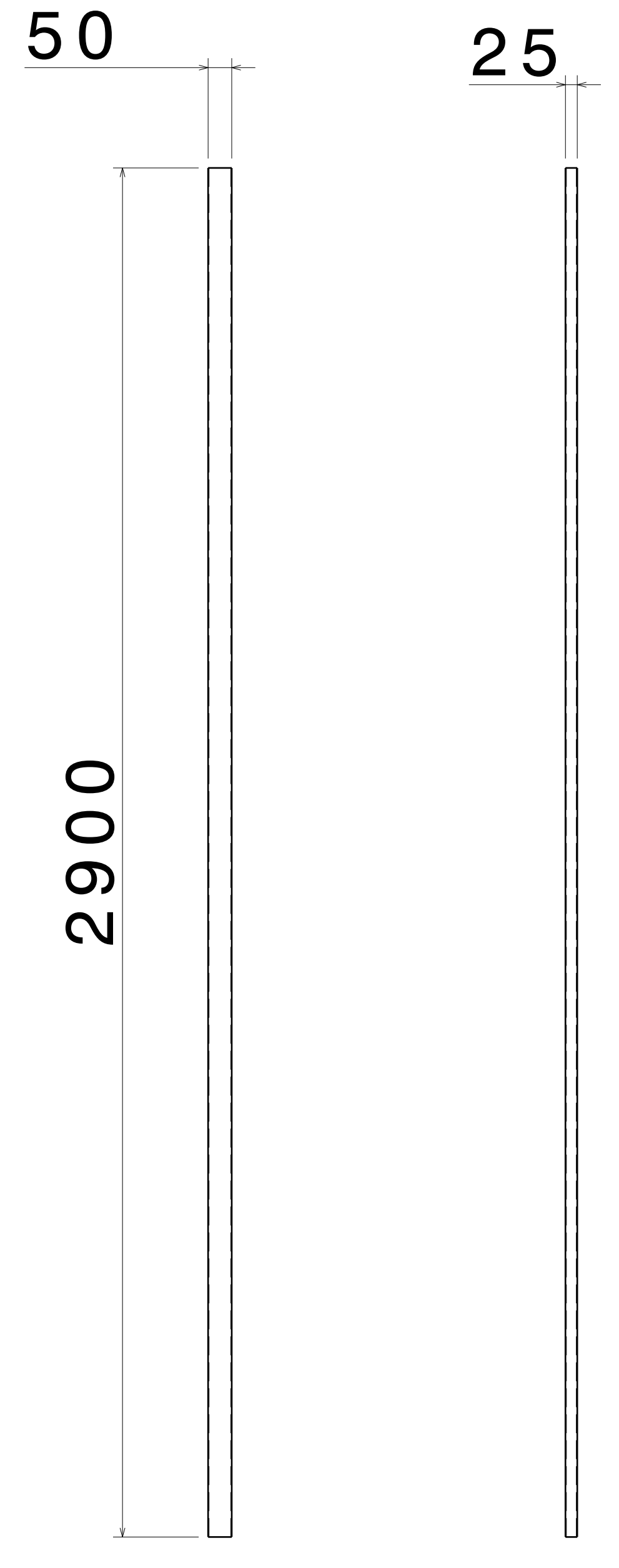
FRONT VIEW RIGHT VIEW  
SCALE: 1:10 SCALE: 1:10  
ITEM 6, RHS FRAME 2  
THICKNESS - 2.0 MM



FRONT VIEW RIGHT VIEW  
SCALE: 1:10 SCALE: 1:10  
ITEM 7, RHS FRAME 3  
THICKNESS - 2.0 MM



FRONT VIEW RIGHT VIEW  
SCALE: 1:10 SCALE: 1:10  
ITEM 8, RHS FRAME 4  
THICKNESS - 2.0 MM



FRONT VIEW RIGHT VIEW  
SCALE: 1:10 SCALE: 1:10  
ITEM 9, RHS FRAME 5  
THICKNESS - 2.0 MM

UNLESS OTHERWISE SPECIFIED DIMENSION ARE IN MM  
VIEWS: THIRD ANGLE PROJECTION

This drawing is our property. It can't be reproduced or communicated without our written agreement.		APL APOLLO TUBES LTD.	
DRAWN BY SB		DRAWING TITLE DEC 20_6	
CHECKED BY P2P Analysis & Solutions	DATE 1DEC2020	SIZE A0	DRAWING NUMBER P2P_DEC 20_6
DESIGNED BY P2P Analysis & Solutions	DATE 1DEC2020	SCALE NONE	WEIGHT(kg) XXX
		REV 00	
		SHEET 3 OF 3	