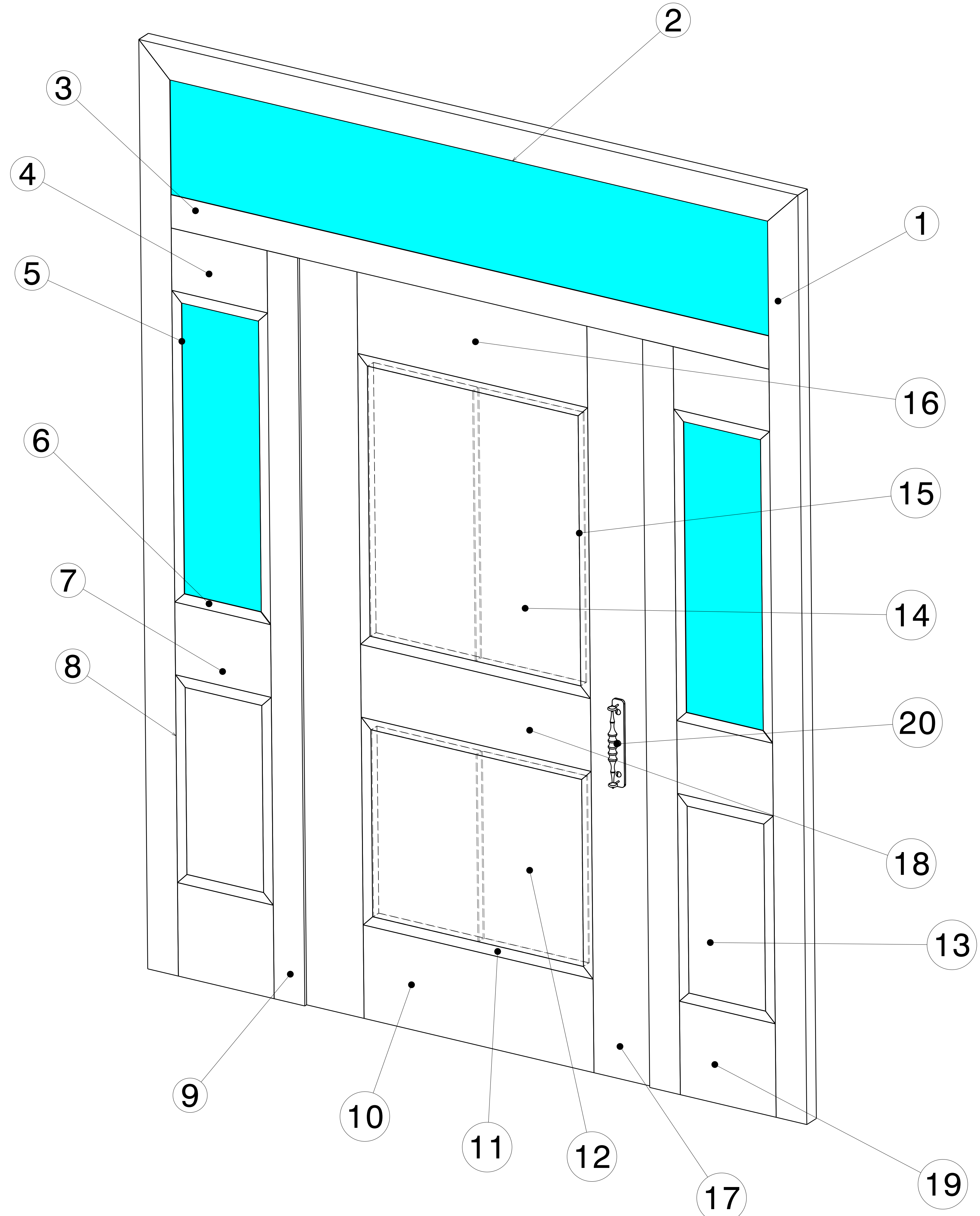


REV/DATE	DESCRIPTION
00 / 21OCT2020	INITIAL REVISION

- NOTES:
- (⊥) ALL VERTICAL SUPPORTS ARE PERPENDICULAR.
 - FLATNESS OF .5MM IS APPLIED BY DEFAULT.
 - ⊲ WELD BEAD OF 2MM RADIUS IS FOLLOWED.
 - ▽ SURFACE FINISH MEDIUM TO SMOOTH IS USED.
 - ALL TUBES ARE AS PER APL APOLLO STANDARD. CHANGES MAY EFFECT THE LOAD CAPACITY.
 - ALL HORIZONTAL AND VERTICAL TUBES ARE PERPENDICULAR TO EACH OTHER WITH ±1 DEG.
 - FINE WELDING IS REQUIRED AS PER MENTIONED DETAILS AND FINISHING.
 - HIGHER CURRENT WELDING MAY AFFECT THE BRITTLNESS OF MATERIAL WHICH LATER MAY RAISE TO WEAKENING OF STRUCTURE.
 - FABRICATORS ARE ALLOWED TO USE FITTINGS/FRAMES/SUPPORTS AS NEEDED AND THE SAME MUST BE COMMUNICATED BACK TO ENGINEERING TEAM.
 - BOP COMPONENT WEIGHTS ARE FOR REFERENCE ONLY AND SUBJECTED TO CHANGE PER PURCHASED COMPONENTS.



ISOMETRIC VIEW
SCALE : 1:5

ITEM NO.	PART NUMBER	DESCRIPTION	QTY.	Wt(Kg)/Each
20	HANDLE BOP	-----	1	-----
19	RHS PLANK 10	225 X 25 X 1.6 X 250	2	1.55
18	RHS PLANK 9	175 X 25 X 1.6 X 600	1	2.97
17	RHS PLANK 8	150 X 25 X 1.6 X 1800	2	7.78
16	RHS PLANK 7	200 X 25 X1.6 X 600	1	3.35
15	SHS FRAME 5	25 X 25 X 1.6 X 700	2	0.80
14	RHS PLANK 6	275 X 25 X 1.6 X 650	2	4.85
13	RHS PLANK 5	200 X 25 X 1.6 X 450	2	2.51
12	RHS PLANK 4	275 X 25 X 1.6 X 450	2	3.09
11	SHS FRAME 4	25 X 25 X 1.6 X 600	4	0.68
10	RHS PLANK 3	225 X 25 X 1.6 X 600	1	3.73
9	RHS FRAME 4	80 X 40 X 2.6 X 1800	2	8.45
8	SHS FRAME 3	25 X 25 X 1.6 X 500	4	0.56
7	RHS PLANK 2	150 X 25 X 1.6 X 250	2	1.24
6	SHS FRAME 2	25 X 25 X 1.6 X 250	8	0.27
5	SHS FRAME 1	25 X 25 X 1.6 X 750	4	0.85
4	RHS PLANK 1	150 X 25 X 1.6 X 250	2	1.08
3	RHS FRAME 3	80 X 40 X 2.6 X 1560	1	7.32
2	RHS FRAME 2	80 X 40 X 2.6 X 1720	1	7.70
1	RHS FRAME 1	80 X 40 X 2.6 X 2236.26	2	10.30

This drawing is our property. It can't be reproduced or communicated without our written agreement.

APL APOLLO TUBES LTD.

DRAWING TITLE: DOOR_1

DESIGNED BY: P2P Analysis & Solutions
CHECKED BY: P2P Analysis & Solutions
DRAWN BY: VM

DATE: 21OCT2020

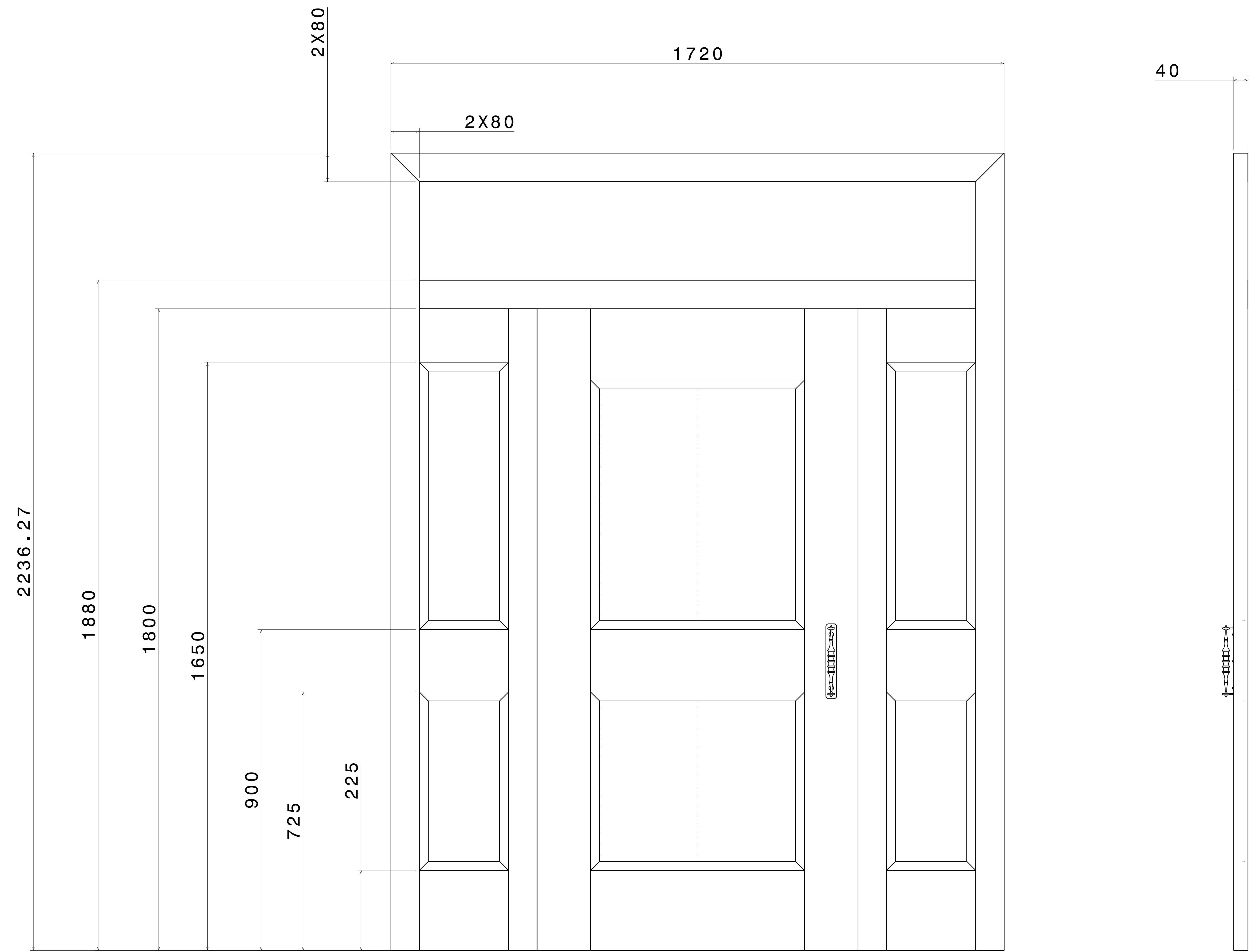
SIZE: A0
SCALE: As Indicated

WEIGHT(kg): 0kg

SHEET 1 OF 3

UNLESS OTHERWISE SPECIFIED DIMENSION ARE IN MM
VIEWS: THIRD ANGLE PROJECTION

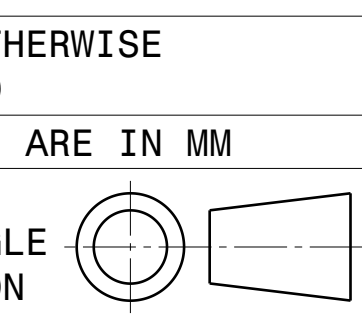
REV	DATE	DESCRIPTION
00	21OCT2020	INITIAL REVISION




FRONT VIEW
SCALE : 1:10

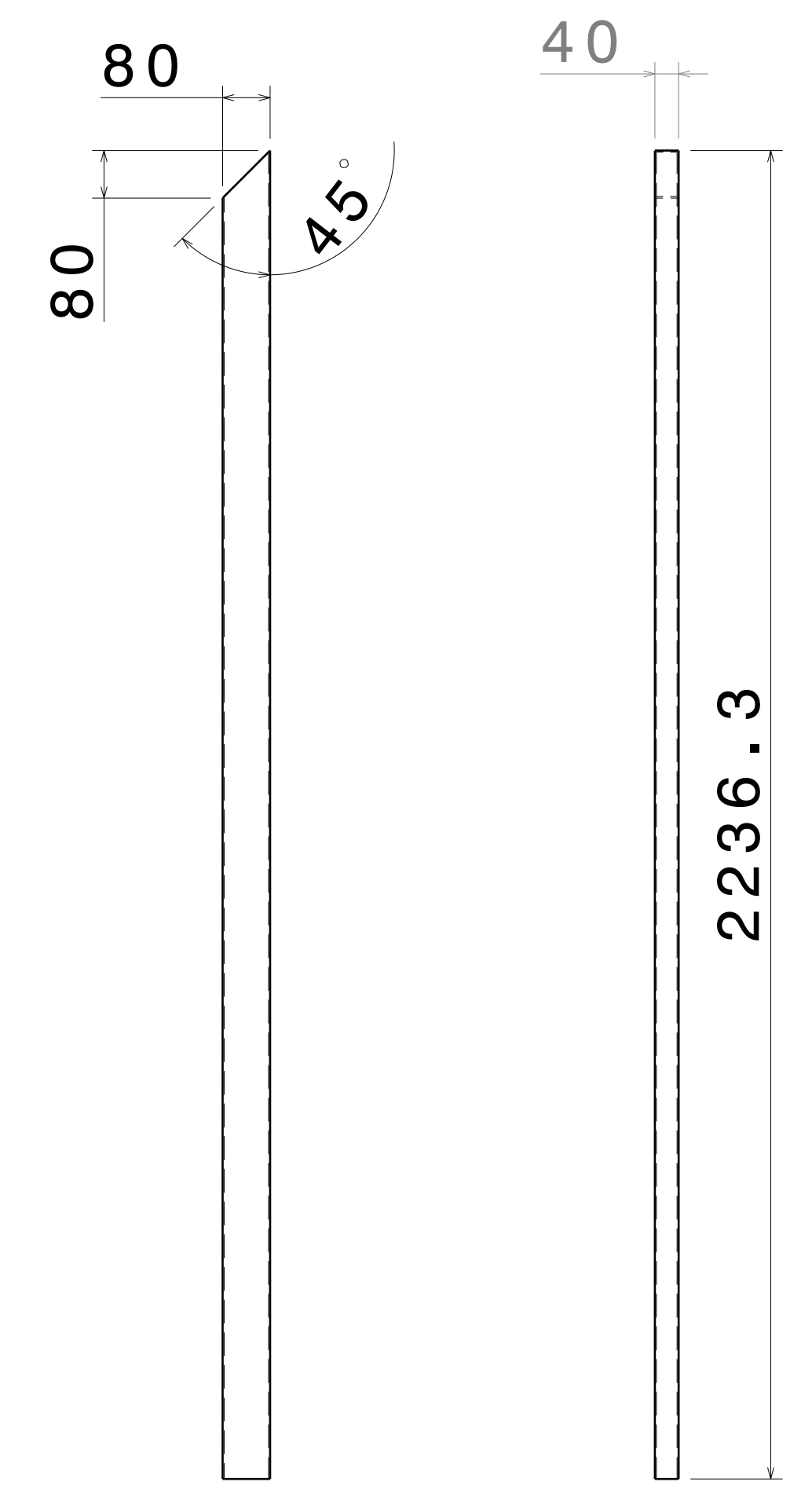
RIGHT VIEW
SCALE: 1:10

UNLESS OTHERWISE SPECIFIED DIMENSION ARE IN MM
VIEWS: THIRD ANGLE PROJECTION

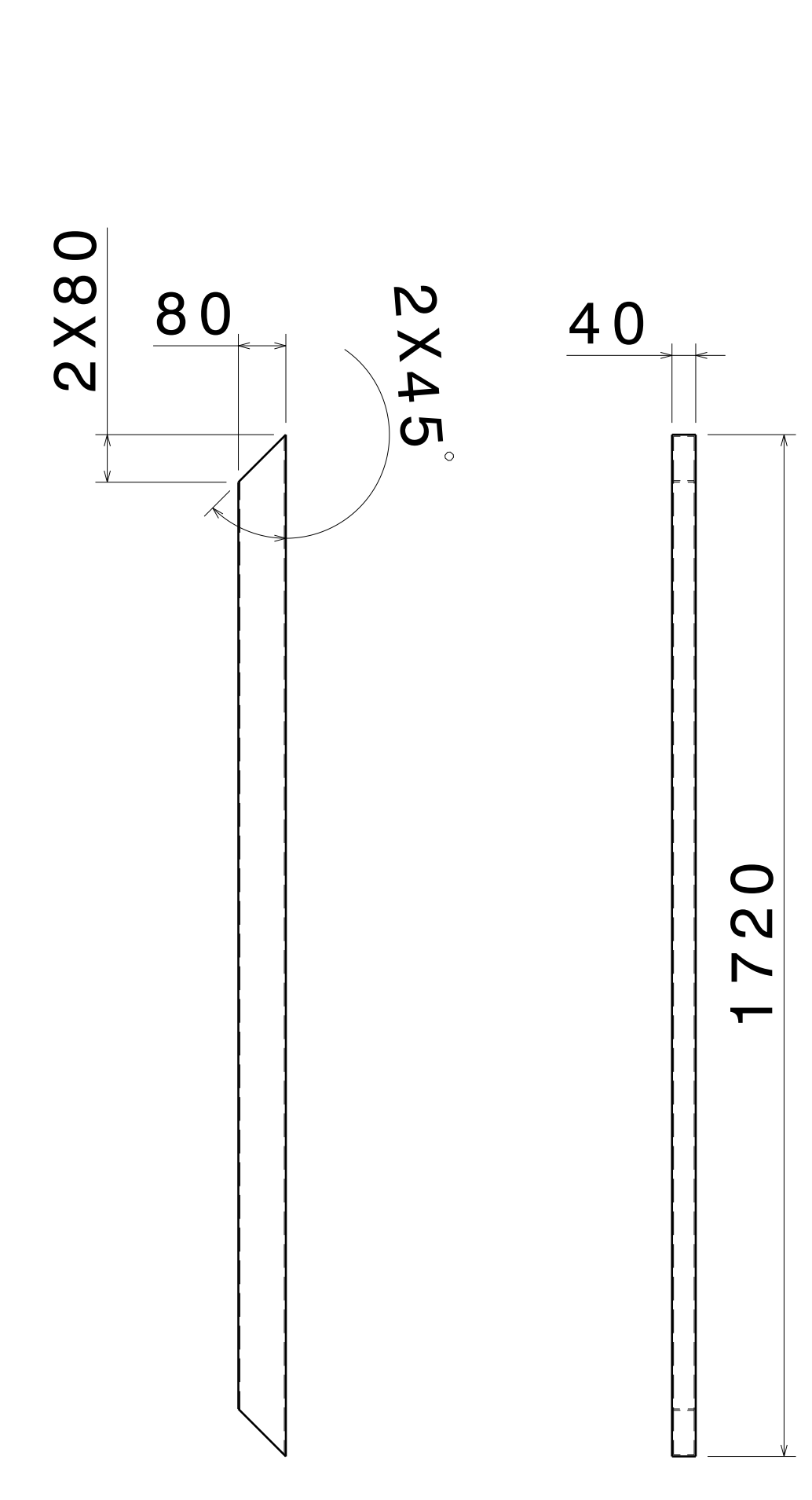


This drawing is our property. It can't be reproduced or communicated without our written agreement.		APL APOLLO TUBES LTD. 	
DRAWN BY SB		DATE 21OCT2020	
CHECKED BY P2P Analysis & Solutions		DATE 21OCT2020	
DESIGNED BY P2P Analysis & Solutions		DATE 21OCT2020	
DRAWING TITLE DOOR_1		SIZE A0	DRAWING NUMBER P2P_DOOR_1
SCALE NONE		WEIGHT (kg) XXX	REV 00
			SHEET 2 OF 3

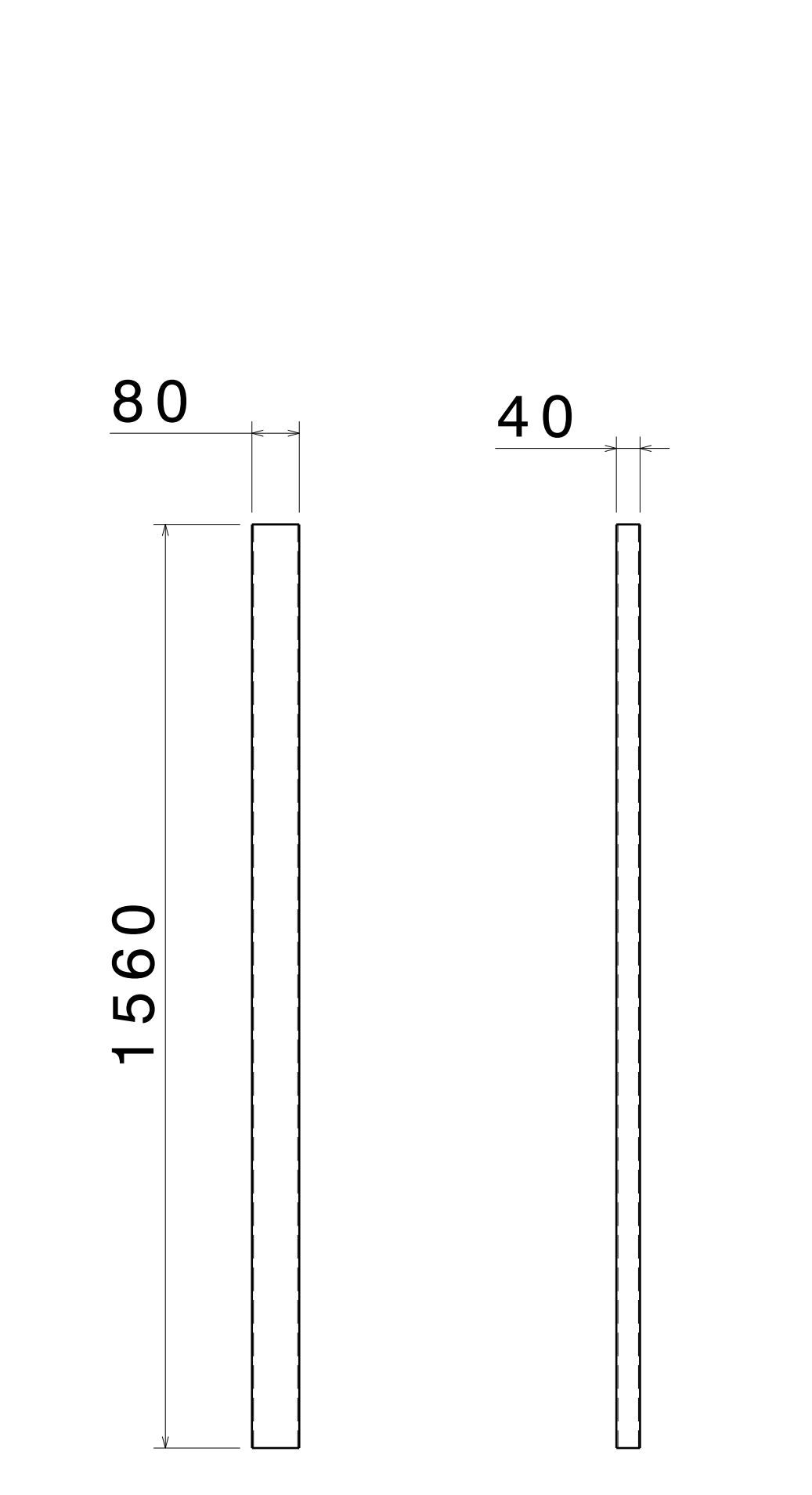
REV	DATE	DESCRIPTION
00	21OCT2020	INITIAL REVISION



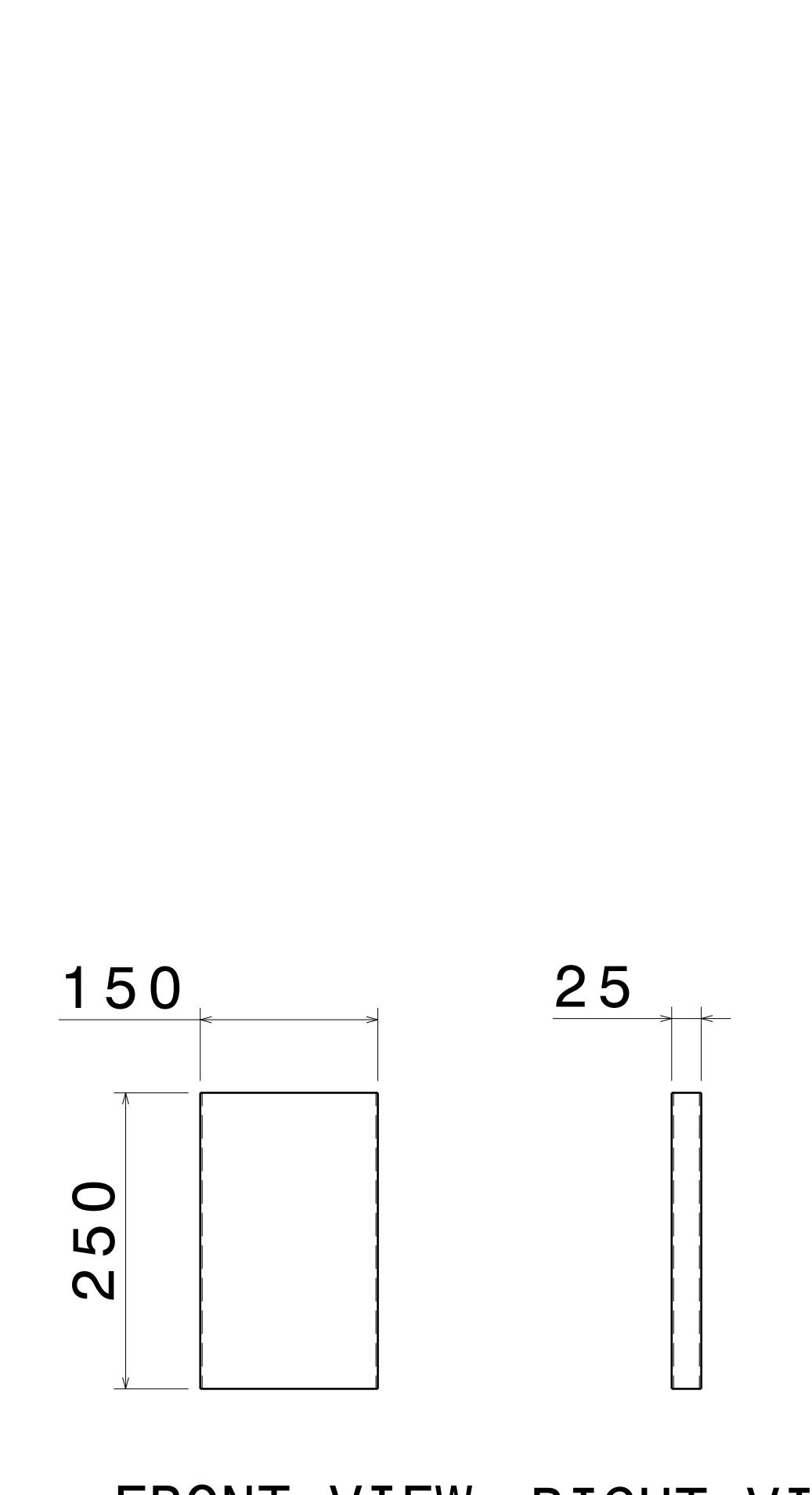
FRONT VIEW RIGHT VIEW
SCALE : 1:10 SCALE: 1:10
ITEM 1, RHS FRAME 1
THICKNESS - 2.6MM



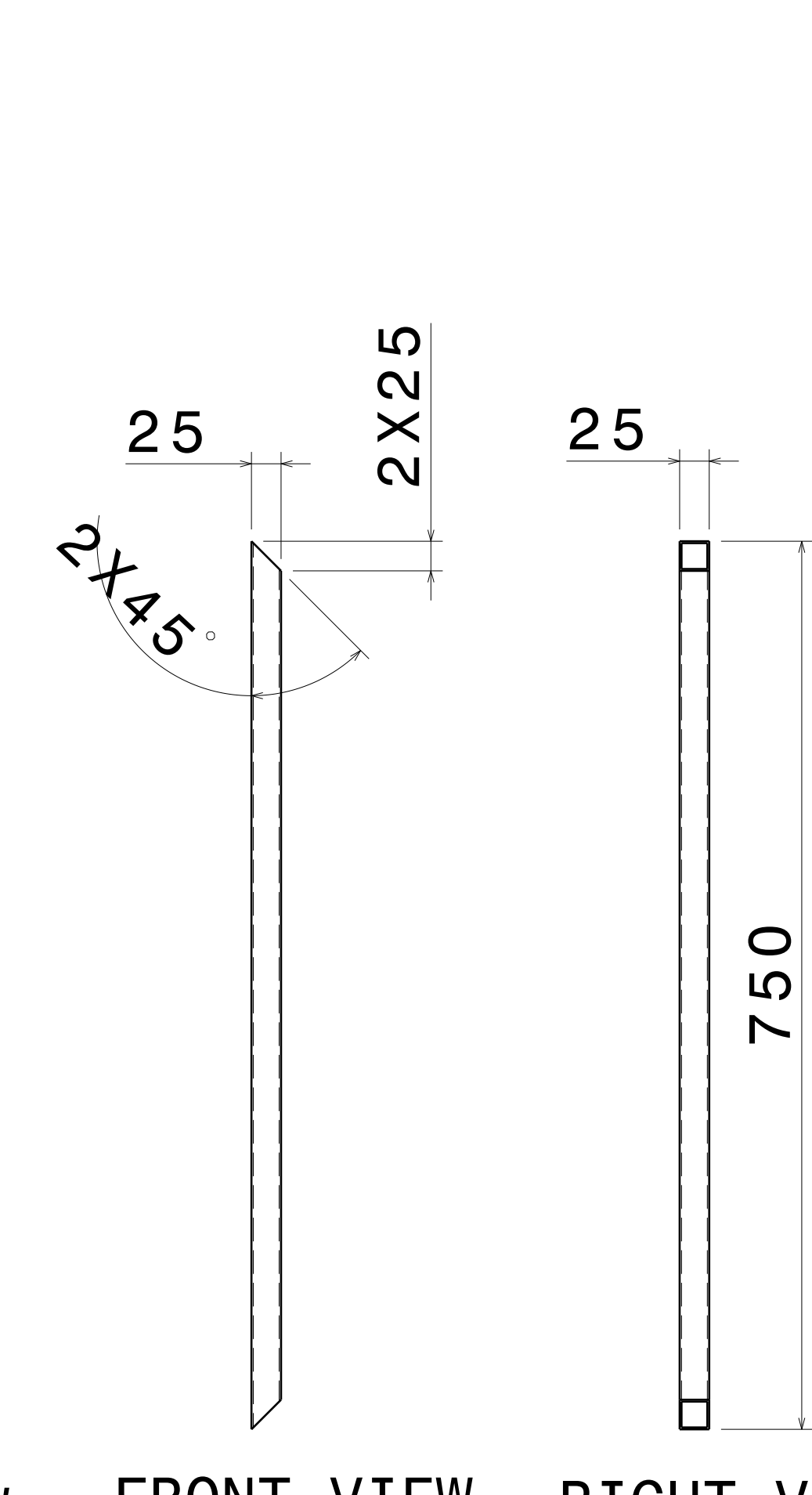
FRONT VIEW RIGHT VIEW
SCALE : 1:10 SCALE: 1:10
ITEM 2, RHS FRAME 2
THICKNESS - 2.6MM



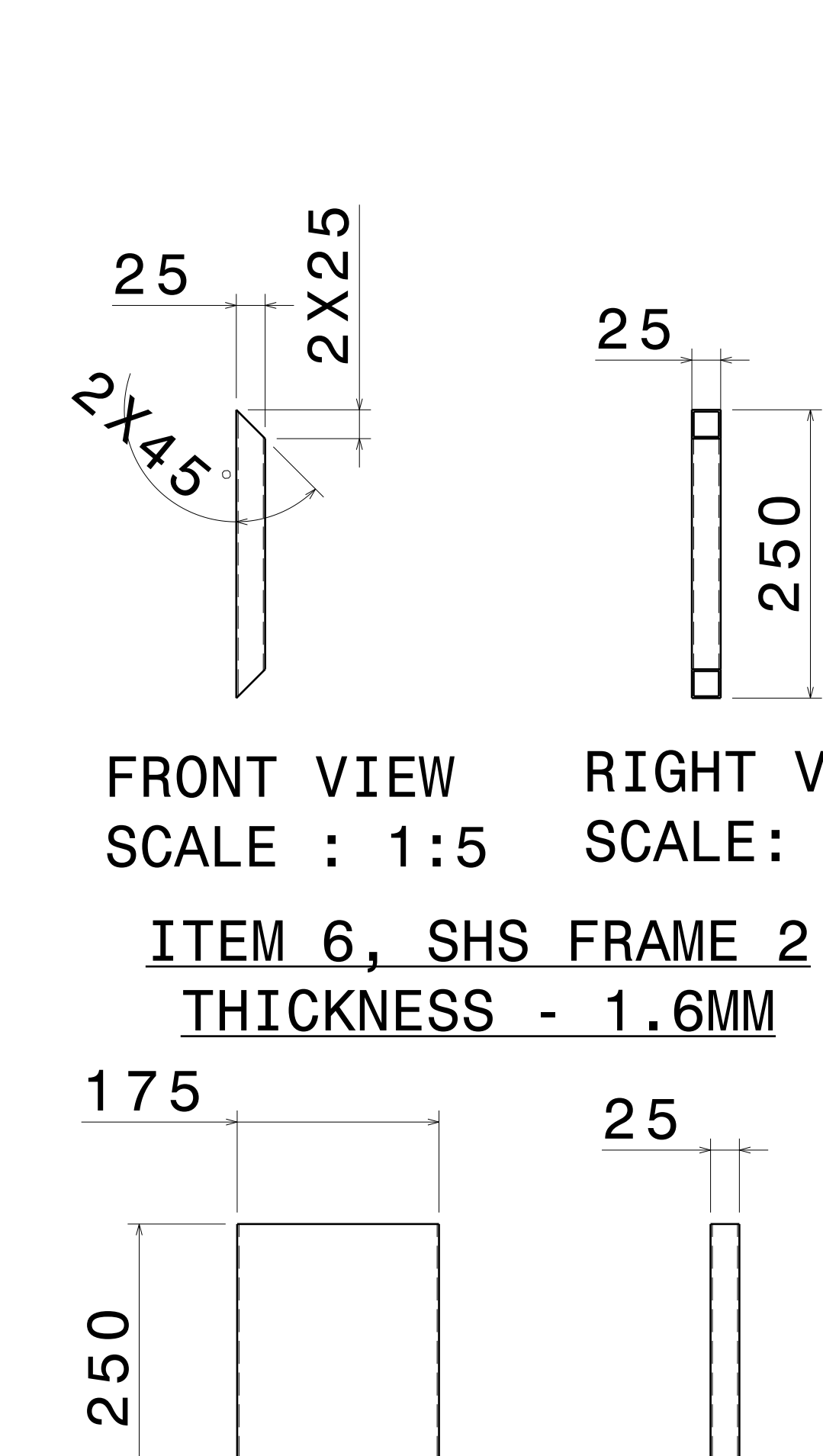
FRONT VIEW RIGHT VIEW
SCALE : 1:10 SCALE: 1:10
ITEM 3, RHS FRAME 3
THICKNESS - 2.6MM



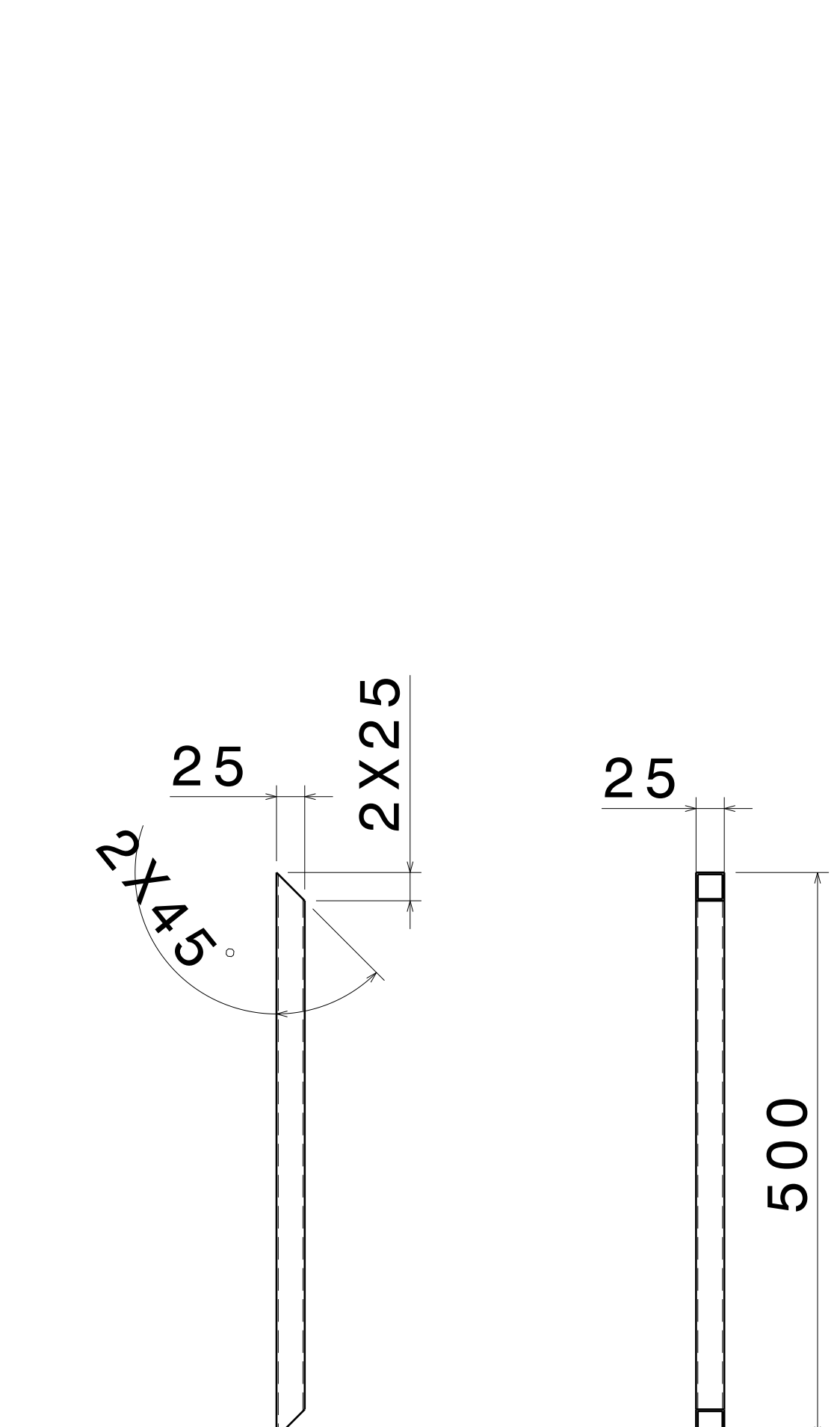
FRONT VIEW RIGHT VIEW
SCALE : 1:5 SCALE: 1:5
ITEM 4, RHS PLANK 1
THICKNESS - 1.6MM



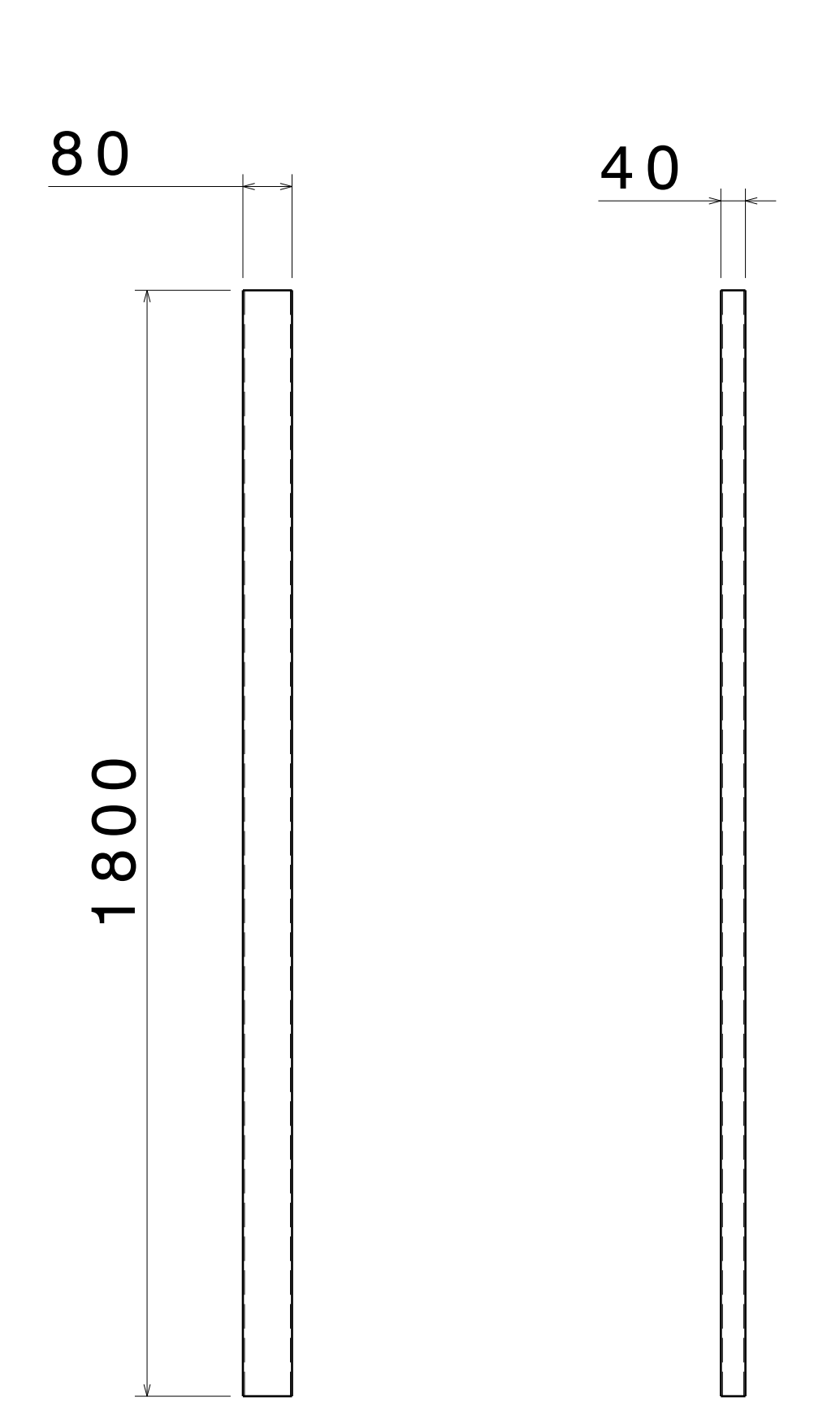
FRONT VIEW RIGHT VIEW
SCALE : 1:5 SCALE: 1:5
ITEM 5, SHS FRAME 1
THICKNESS - 1.6MM



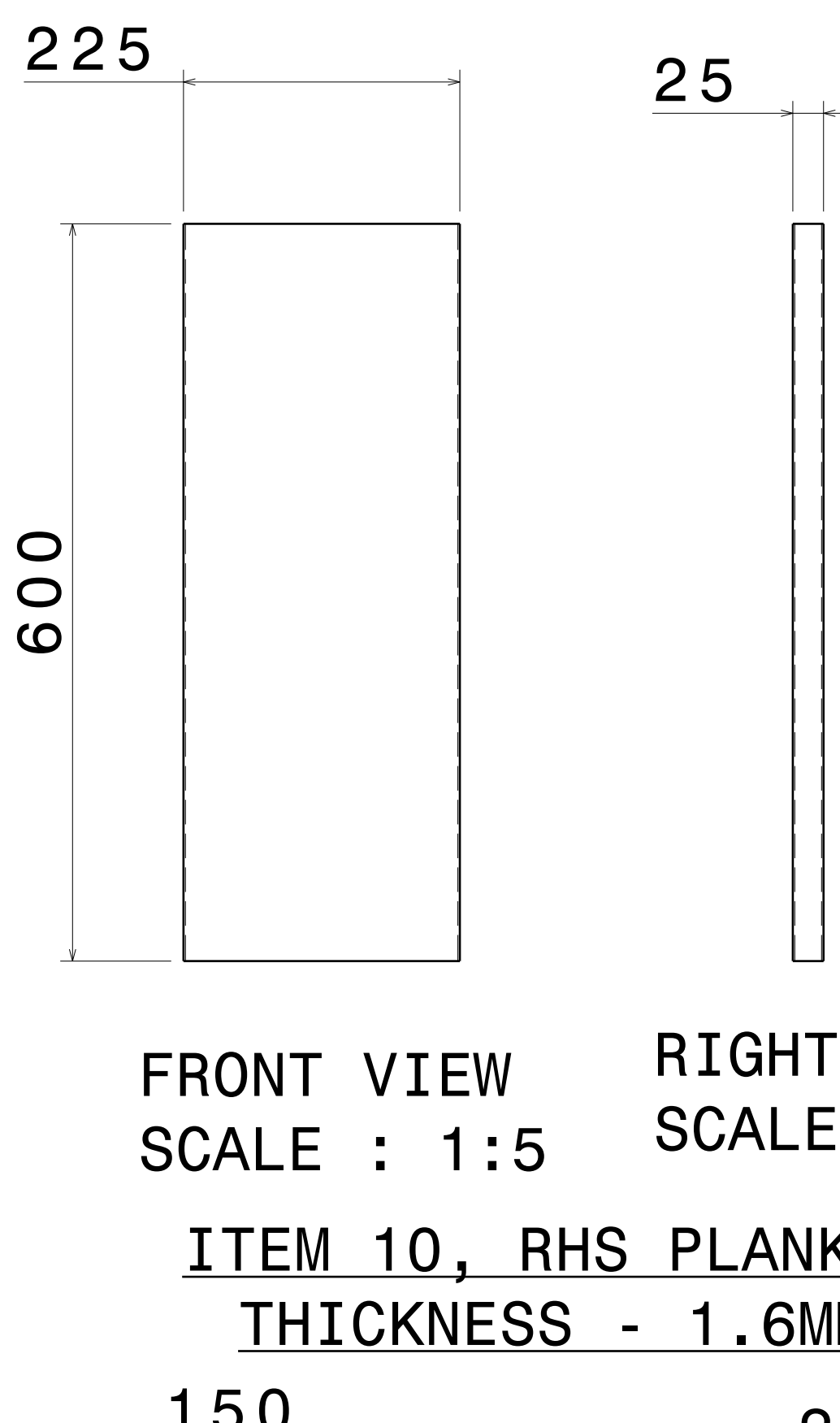
FRONT VIEW RIGHT VIEW
SCALE : 1:5 SCALE: 1:5
ITEM 6, SHS FRAME 2
THICKNESS - 1.6MM
ITEM 7, RHS PLANK 2
THICKNESS - 1.6MM



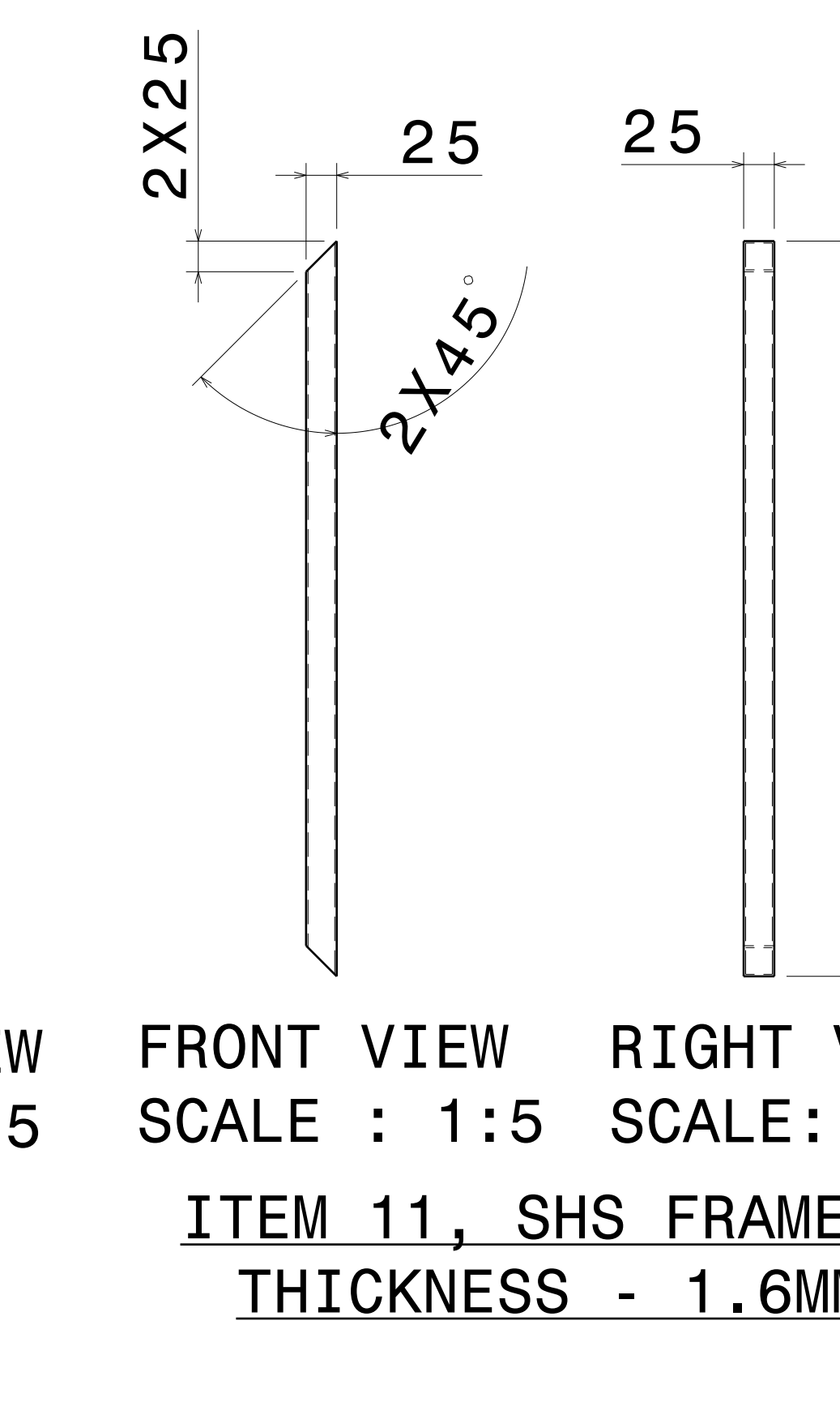
FRONT VIEW RIGHT VIEW
SCALE : 1:5 SCALE: 1:5
ITEM 8, SHS FRAME 3
THICKNESS - 1.6MM



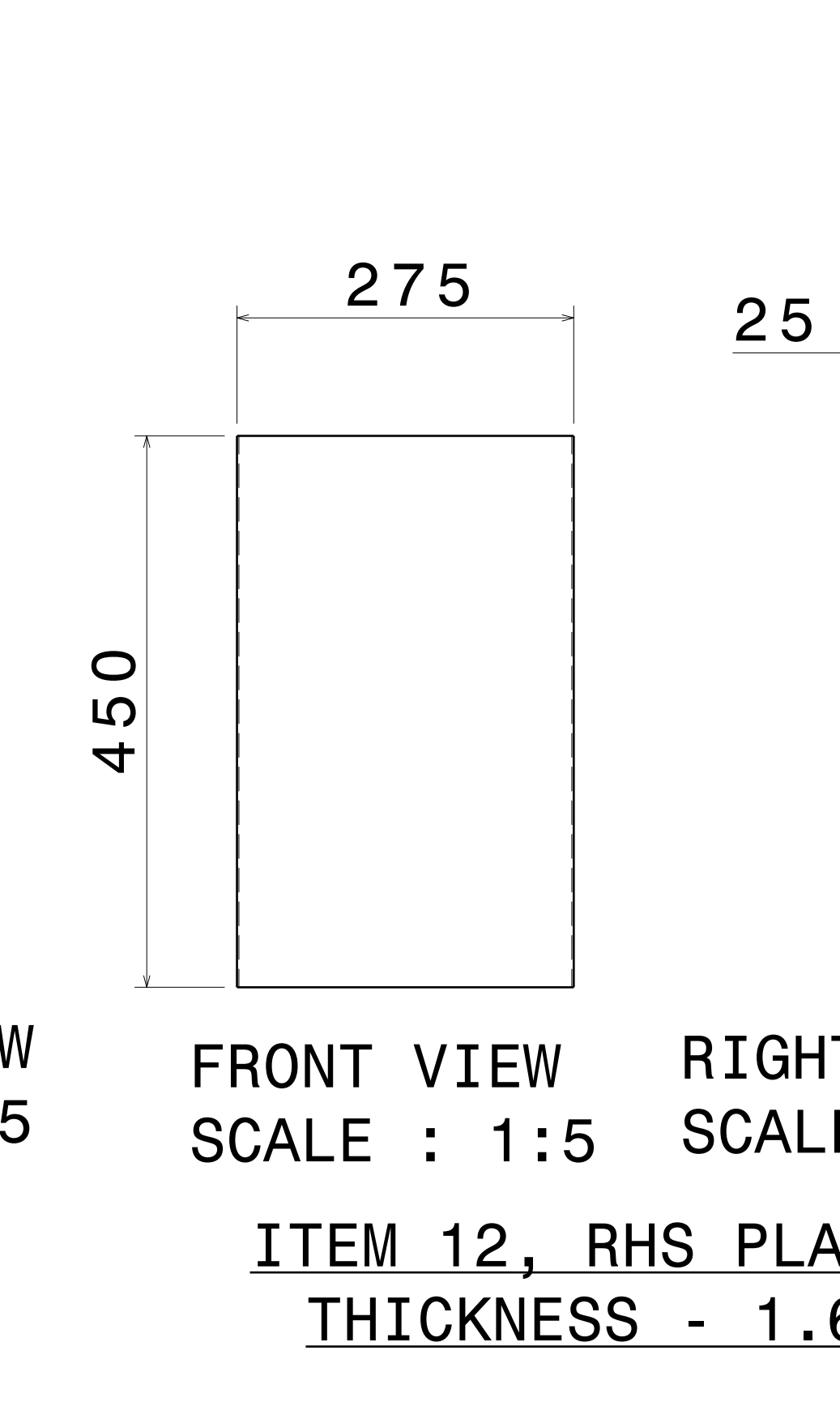
FRONT VIEW RIGHT VIEW
SCALE : 1:10 SCALE: 1:10
ITEM 9, RHS FRAME 3
THICKNESS - 2.6MM



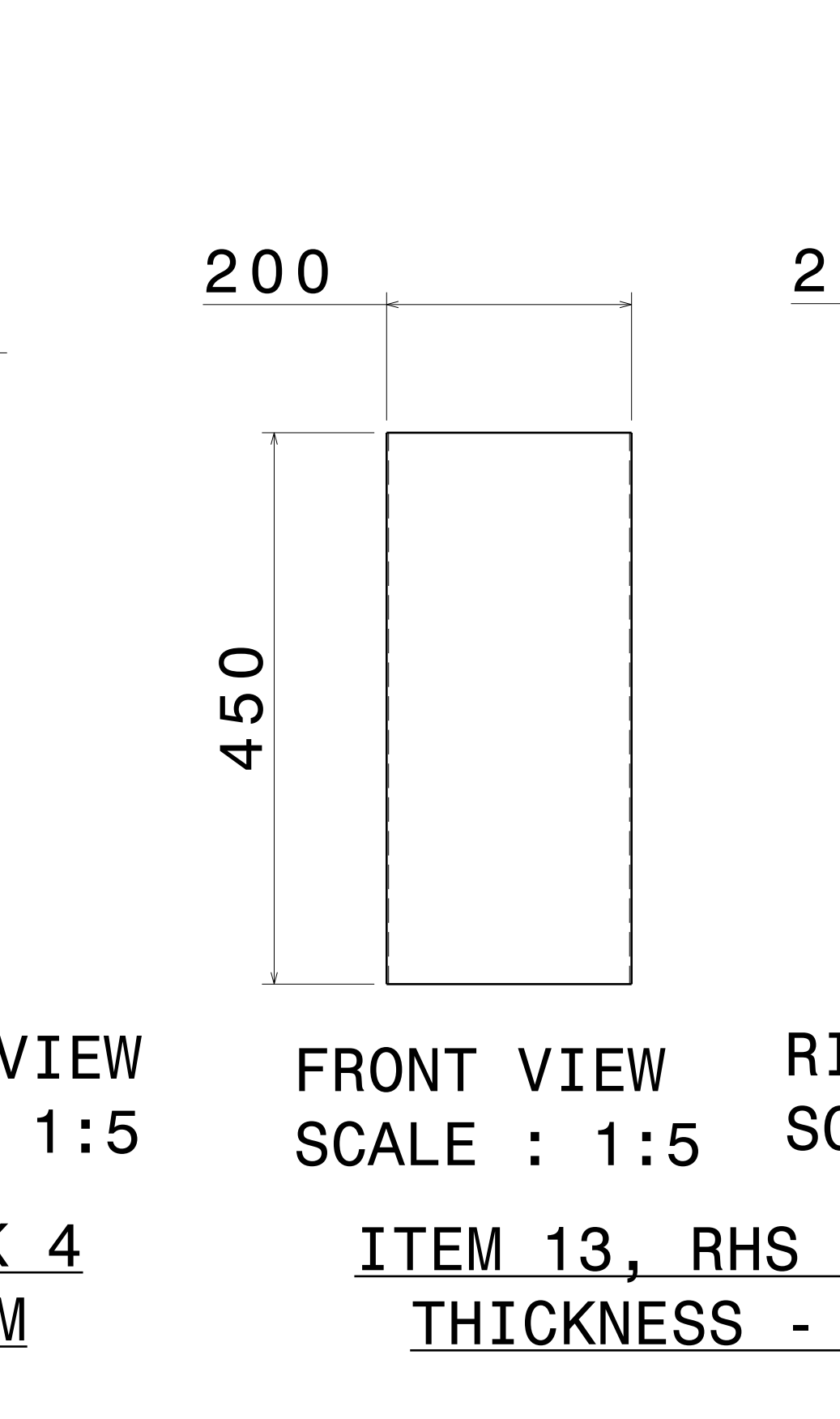
FRONT VIEW RIGHT VIEW
SCALE : 1:5 SCALE: 1:5
ITEM 10, RHS PLANK 3
THICKNESS - 1.6MM



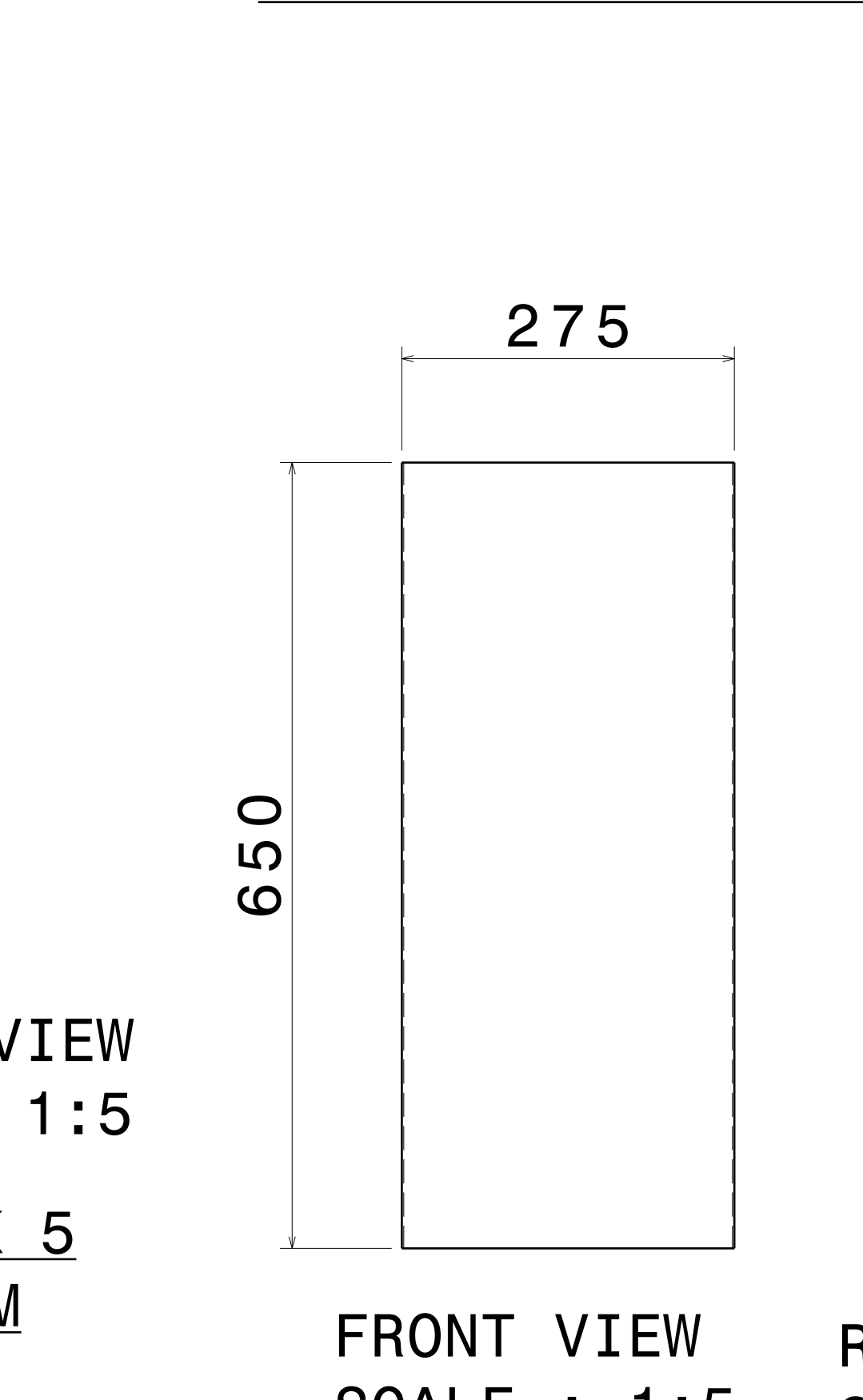
FRONT VIEW RIGHT VIEW
SCALE : 1:5 SCALE: 1:5
ITEM 11, SHS FRAME 4
THICKNESS - 1.6MM



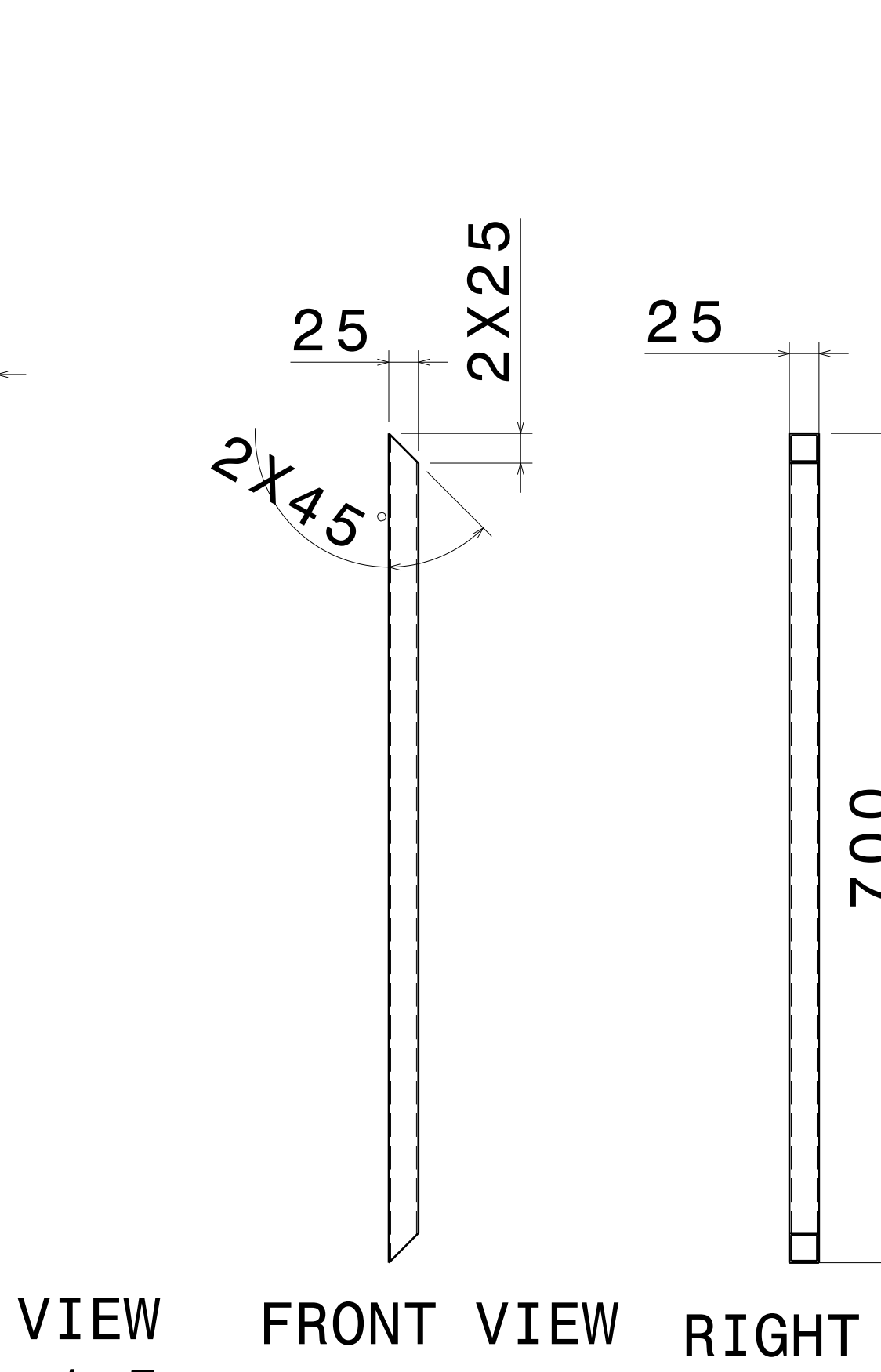
FRONT VIEW RIGHT VIEW
SCALE : 1:5 SCALE: 1:5
ITEM 12, RHS PLANK 4
THICKNESS - 1.6MM



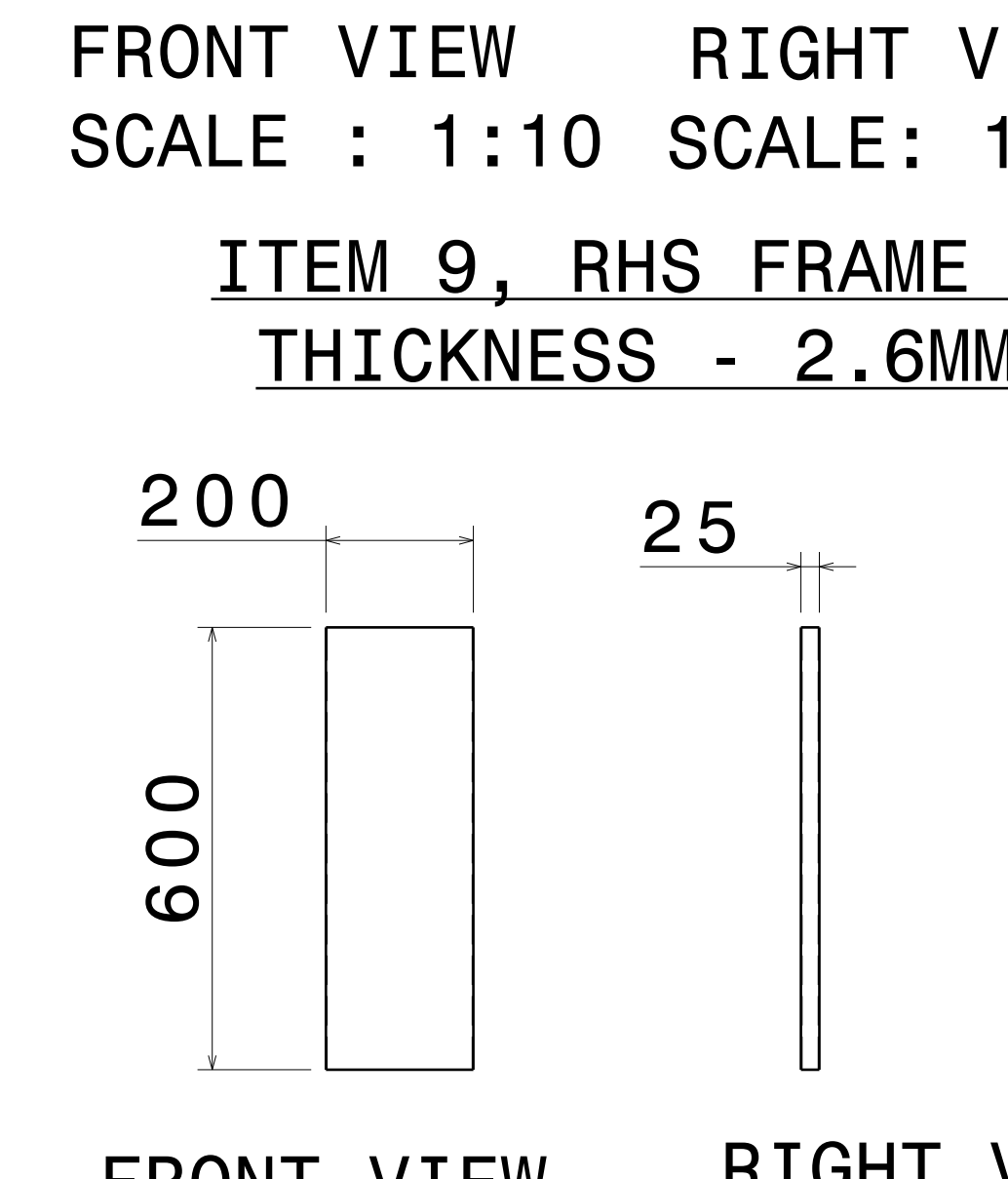
FRONT VIEW RIGHT VIEW
SCALE : 1:5 SCALE: 1:5
ITEM 13, RHS PLANK 5
THICKNESS - 1.6MM



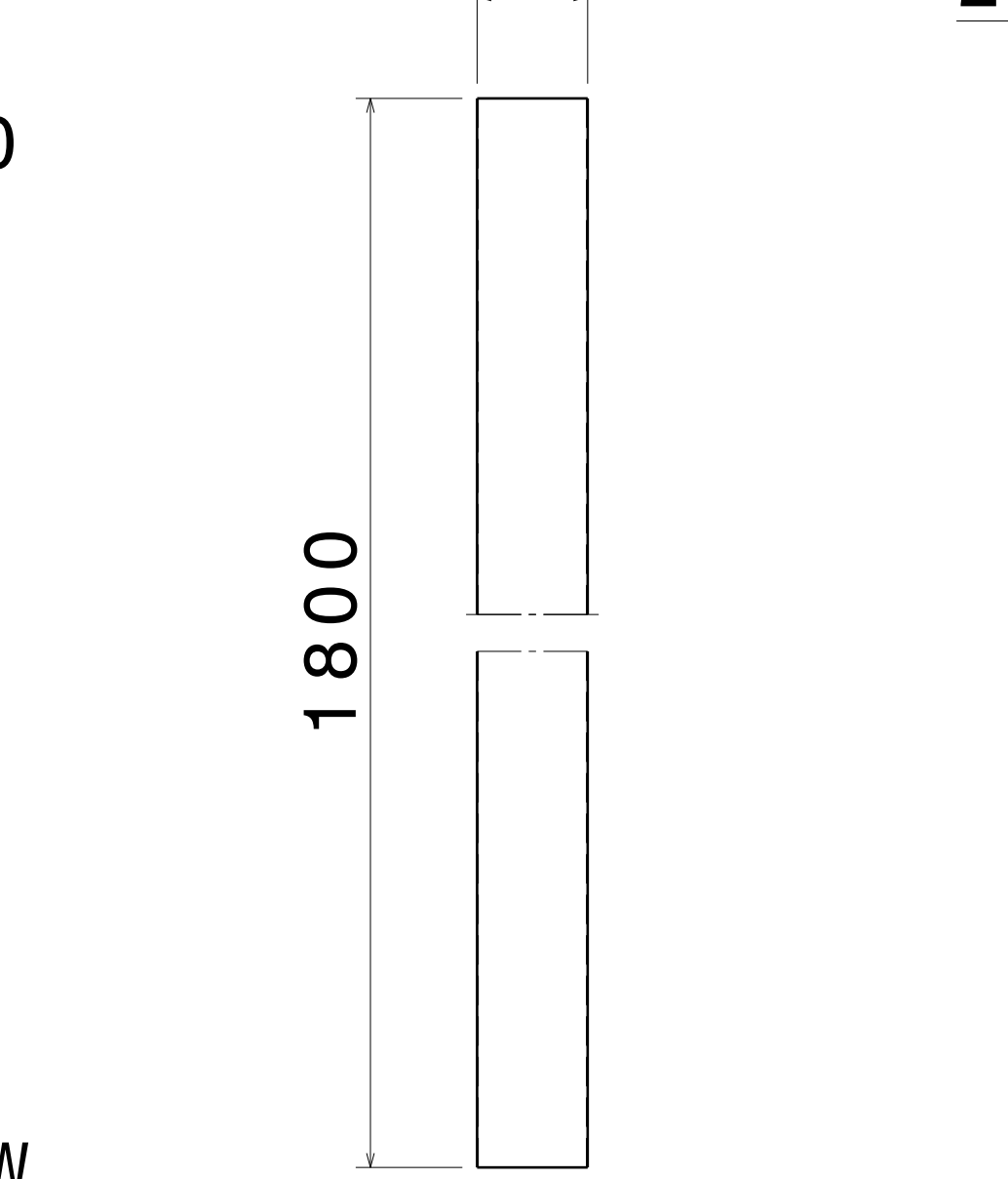
FRONT VIEW RIGHT VIEW
SCALE : 1:5 SCALE: 1:5
ITEM 14, RHS PLANK 6
THICKNESS - 1.6MM



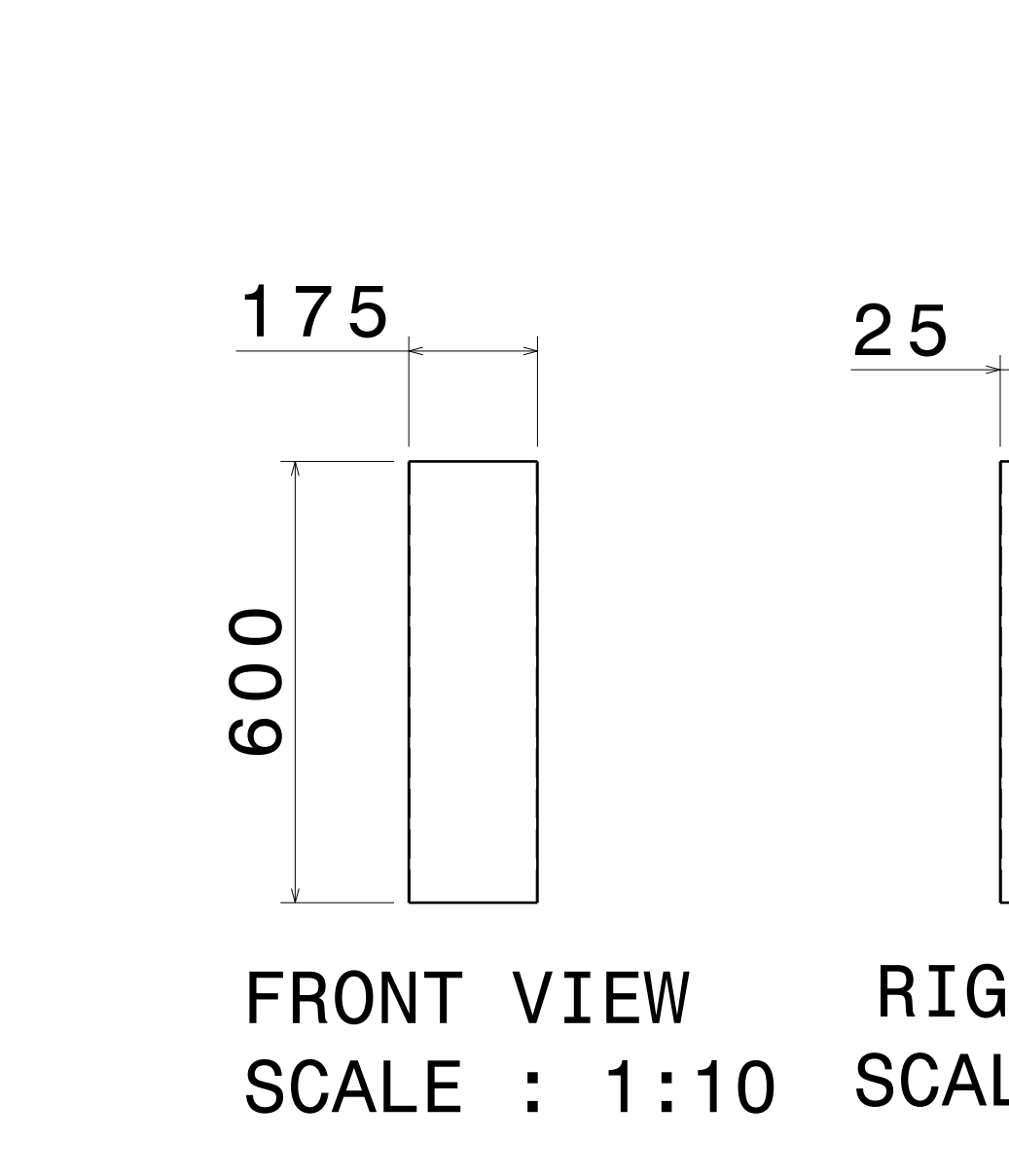
FRONT VIEW RIGHT VIEW
SCALE : 1:5 SCALE: 1:5
ITEM 15, SHS FRAME 5
THICKNESS - 1.6MM



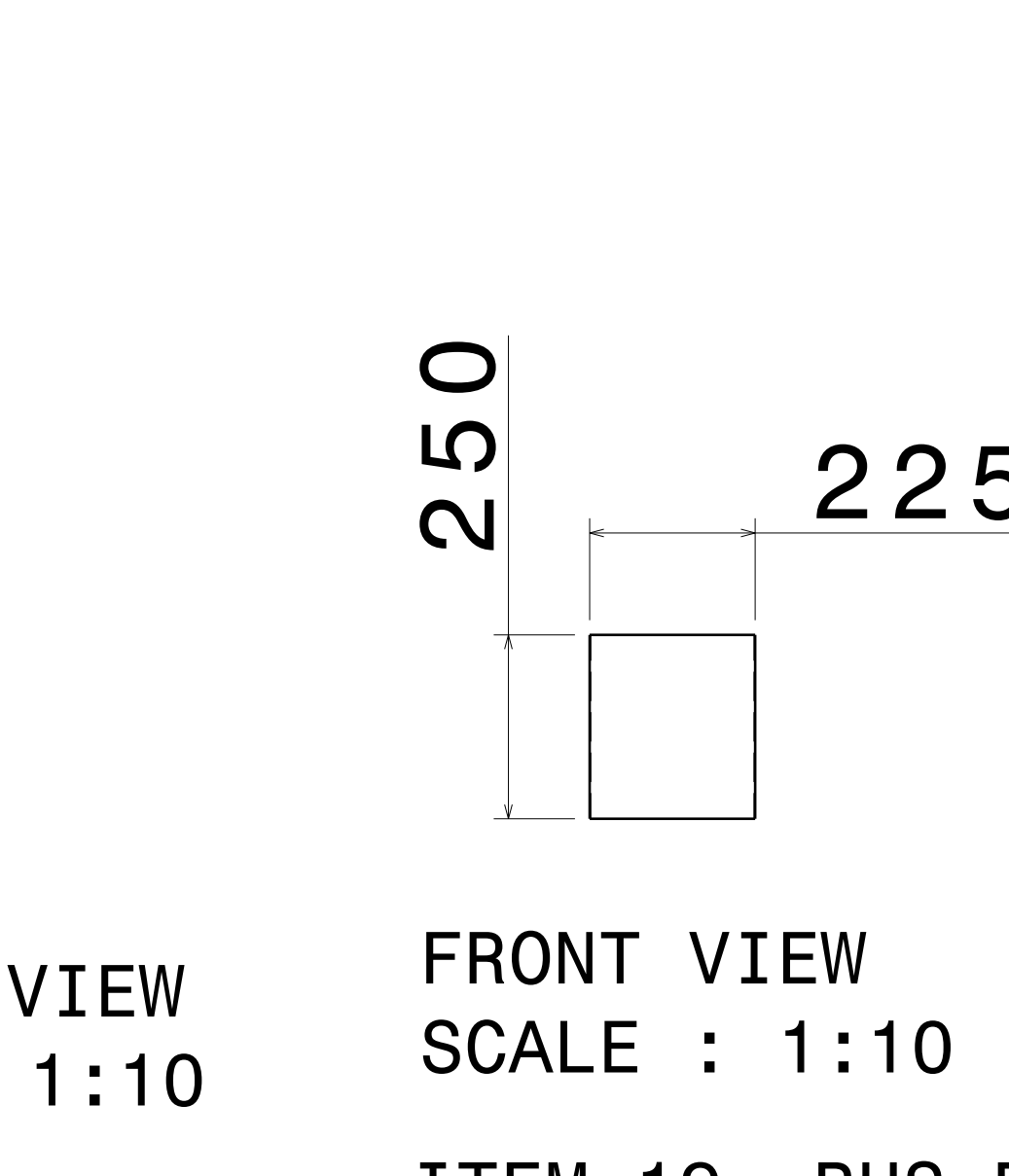
FRONT VIEW RIGHT VIEW
SCALE : 1:10 SCALE: 1:10
ITEM 16, RHS PLANK 7
THICKNESS - 1.6MM



FRONT VIEW RIGHT VIEW
SCALE : 1:10 SCALE: 1:10
ITEM 17, RHS PLANK 8
THICKNESS - 1.6MM



FRONT VIEW RIGHT VIEW
SCALE : 1:10 SCALE: 1:10
ITEM 18, RHS PLANK 9
THICKNESS - 1.6MM



FRONT VIEW RIGHT VIEW
SCALE : 1:10 SCALE: 1:10
ITEM 19, RHS PLANK 10
THICKNESS - 1.6MM

UNLESS OTHERWISE SPECIFIED DIMENSION ARE IN MM VIEWS: THIRD ANGLE PROJECTION

This drawing is our property. It can't be reproduced or communicated without our written agreement.

DRAWN BY	DATE
SB	21OCT2020
CHECKED BY	DATE
P2P Analysis & Solutions	21OCT2020
DESIGNED BY	DATE
P2P Analysis & Solutions	21OCT2020

APL APOLLO TUBES LTD.		DRAWING TITLE	
		DOOR_1	
SIZE	DRAWING NUMBER	REV	
A0	P2P DOOR_1	00	
SCALE	NONE	WEIGHT(kg)	XXX
			SHEET 3 OF 3