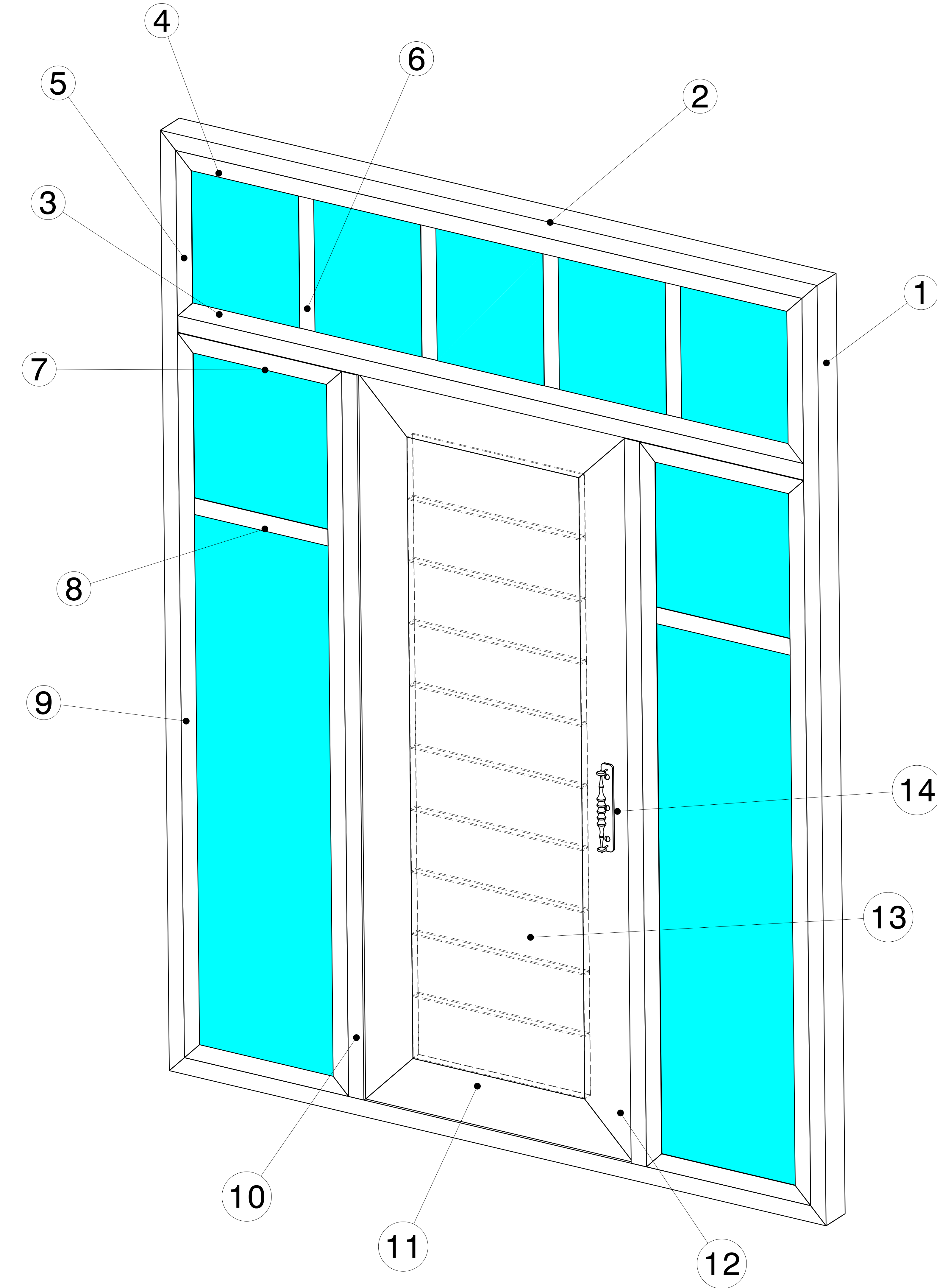


REV	DATE	DESCRIPTION
00	21OCT2020	INITIAL REVISION

- NOTES:
- (⊥) ALL VERTICAL SUPPORTS ARE PERPENDICULAR.
 - FLATNESS OF .5MM IS APPLIED BY DEFAULT.
 - ⊲ WELD BEAD OF 2MM RADIUS IS FOLLOWED.
 - ▽▽ SURFACE FINISH MEDIUM TO SMOOTH IS USED.
 - ALL TUBES ARE AS PER APL APOLLO STANDARD. CHANGES MAY EFFECT THE LOAD CAPACITY.
 - ALL HORIZONTAL AND VERTICAL TUBES ARE PERPENDICULAR TO EACH OTHER WITH ±1 DEG.
 - FINE WELDING IS REQUIRED AS PER MENTIONED DETAILS AND FINISHING.
 - HIGHER CURRENT WELDING MAY AFFECT THE BRITTLENESS OF MATERIAL WHICH LATER MAY RAISE TO WEAKENING OF STRUCTURE.
 - FABRICATORS ARE ALLOWED TO USE FITTINGS/FRAMES/SUPPORTS AS NEEDED AND THE SAME MUST BE COMMUNICATED BACK TO ENGINEERING TEAM.
 - BOP COMPONENT WEIGHTS ARE FOR REFERENCE ONLY AND SUBJECTED TO CHANGE PER PURCHASED COMPONENTS.



ISOMETRIC VIEW
SCALE : 1:5

ITEM NO.	PART NUMBER	DESCRIPTION	QTY.	Wt (Kg) /Each
14	HANDLE BOP	-----	1	-----
13	RHS PLANK 3	150 X 25 X 1.6 X 450	10	1.94
12	RHS PLANK 2	125 X 25 X 1.6 X 1750	2	6.0
11	RHS PLANK 1	125 X 25 X 1.6 X 700	2	2.12
10	RHS FRAME 10	80 X 40 X 2.6 X 1750	2	8.21
9	RHS FRAME 9	80 X 40 X 2.6 X 1750	4	8.02
8	RHS FRAME 8	80 X 40 X 2.6 X 350	4	1.64
7	RHS FRAME 7	80 X 40 X 2.6 X 430	4	1.83
6	RHS FRAME 6	80 X 40 X 2.6 X 320	4	1.50
5	RHS FRAME 5	80 X 40 X 2.6 X 400	2	1.69
4	RHS FRAME 4	80 X 40 X 2.6 X 1640	2	7.51
3	RHS FRAME 3	80 X 40 X 2.6 X 1640	1	7.70
2	RHS FRAME 2	80 X 40 X 2.6 X 1720	2	7.88
1	RHS FRAME 1	80 X 40 X 2.6 X 2270	2	10.30

This drawing is our property. It can't be reproduced or communicated without our written agreement.

APL APOLLO TUBES LTD.

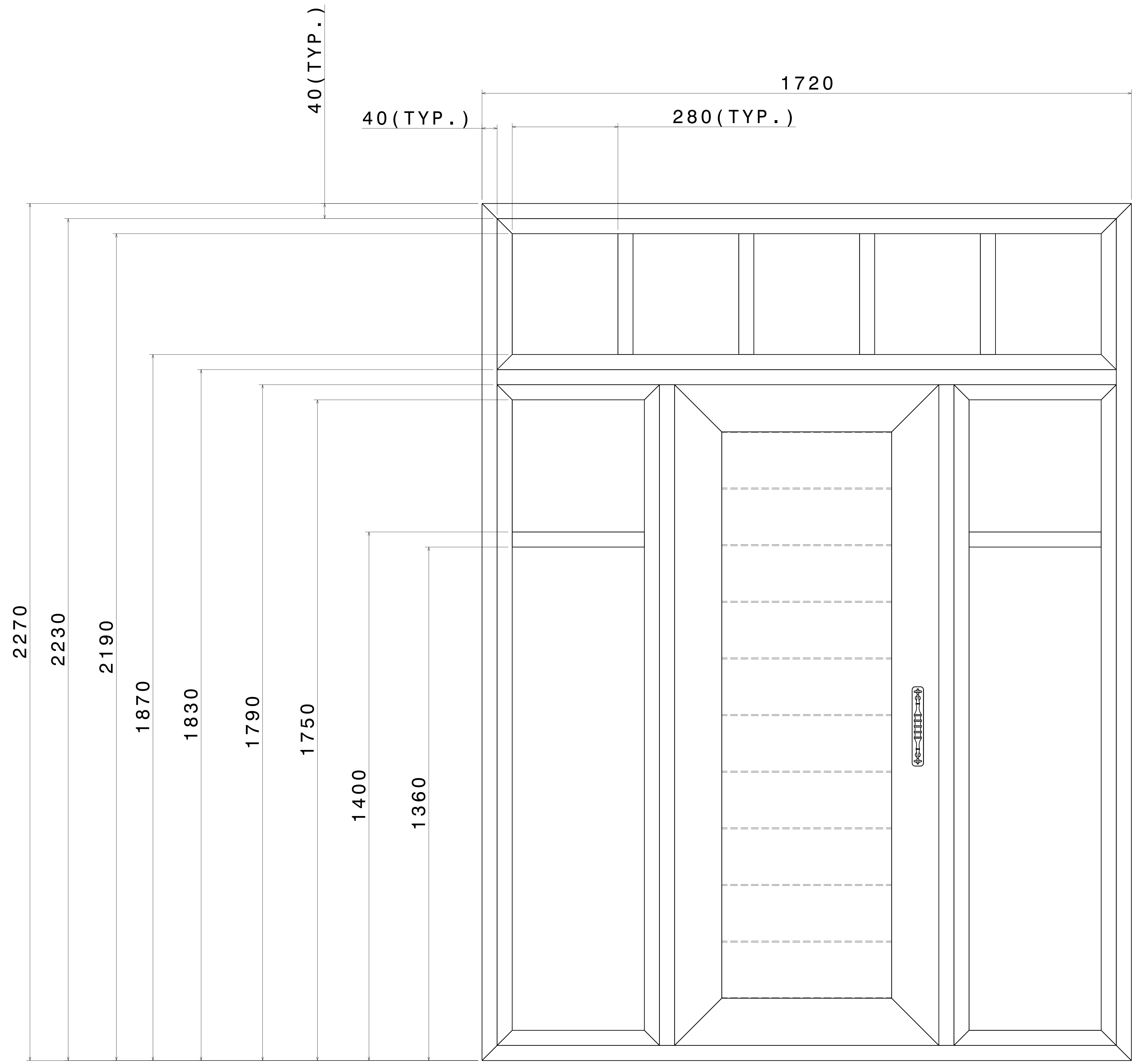
DRAWING TITLE: DOOR_2

SIZE: A0 DRAWING NUMBER: P2P DOOR_2 REV: 00

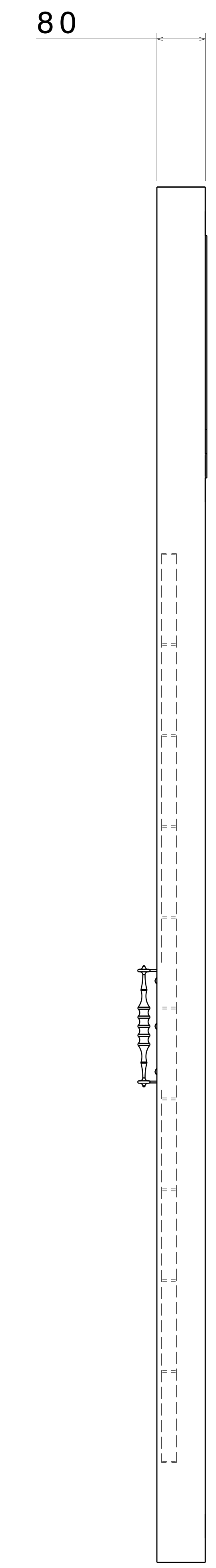
SCALE: As Indicated WEIGHT (kg): 0kg SHEET 1 OF 3

UNLESS OTHERWISE SPECIFIED DIMENSION ARE IN MM VIEWS: THIRD ANGLE PROJECTION

REV	DATE	DESCRIPTION
00	21OCT2020	INITIAL REVISION



FRONT VIEW
SCALE : 1:10

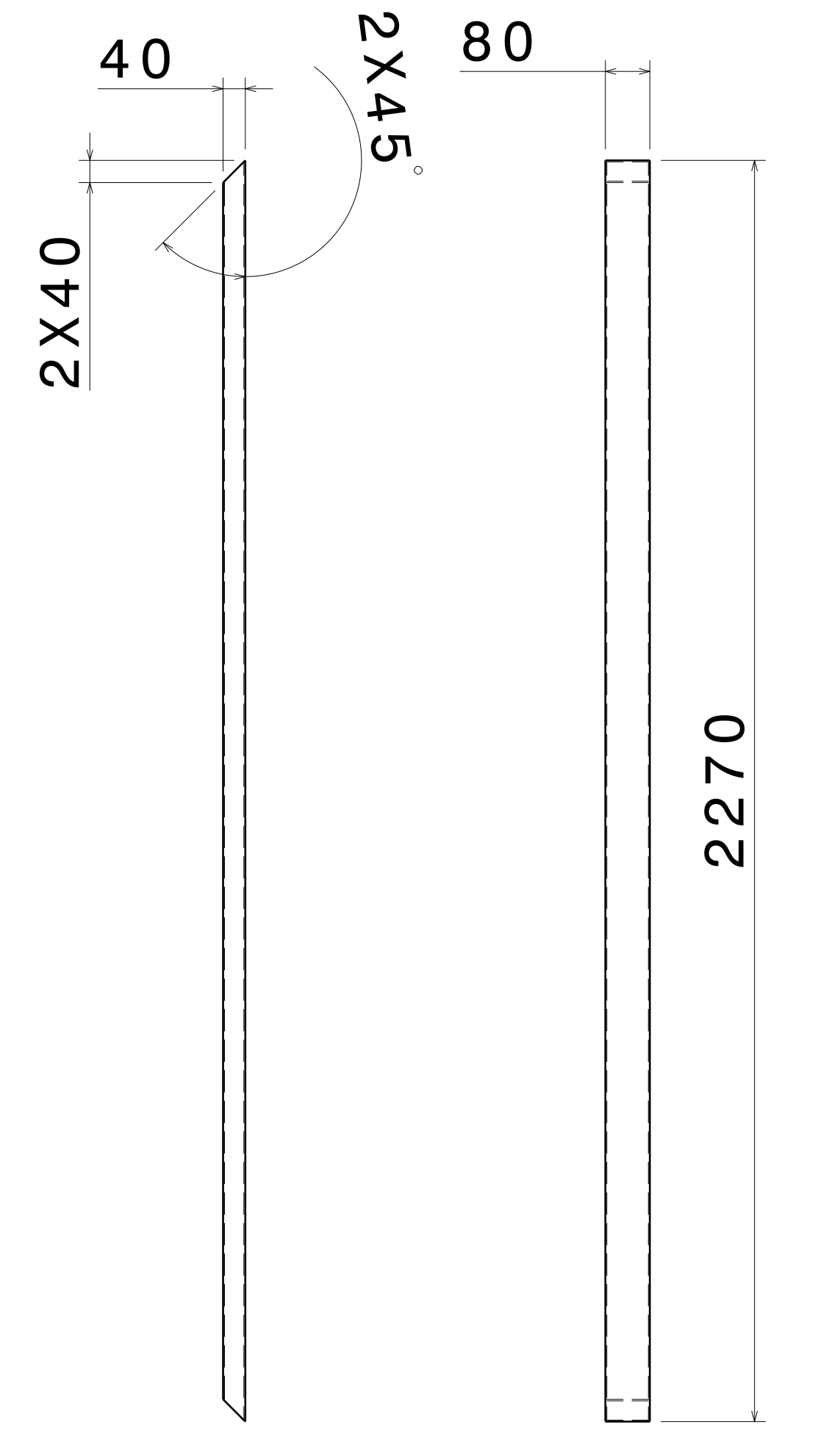


RIGHT VIEW
SCALE: 1:10

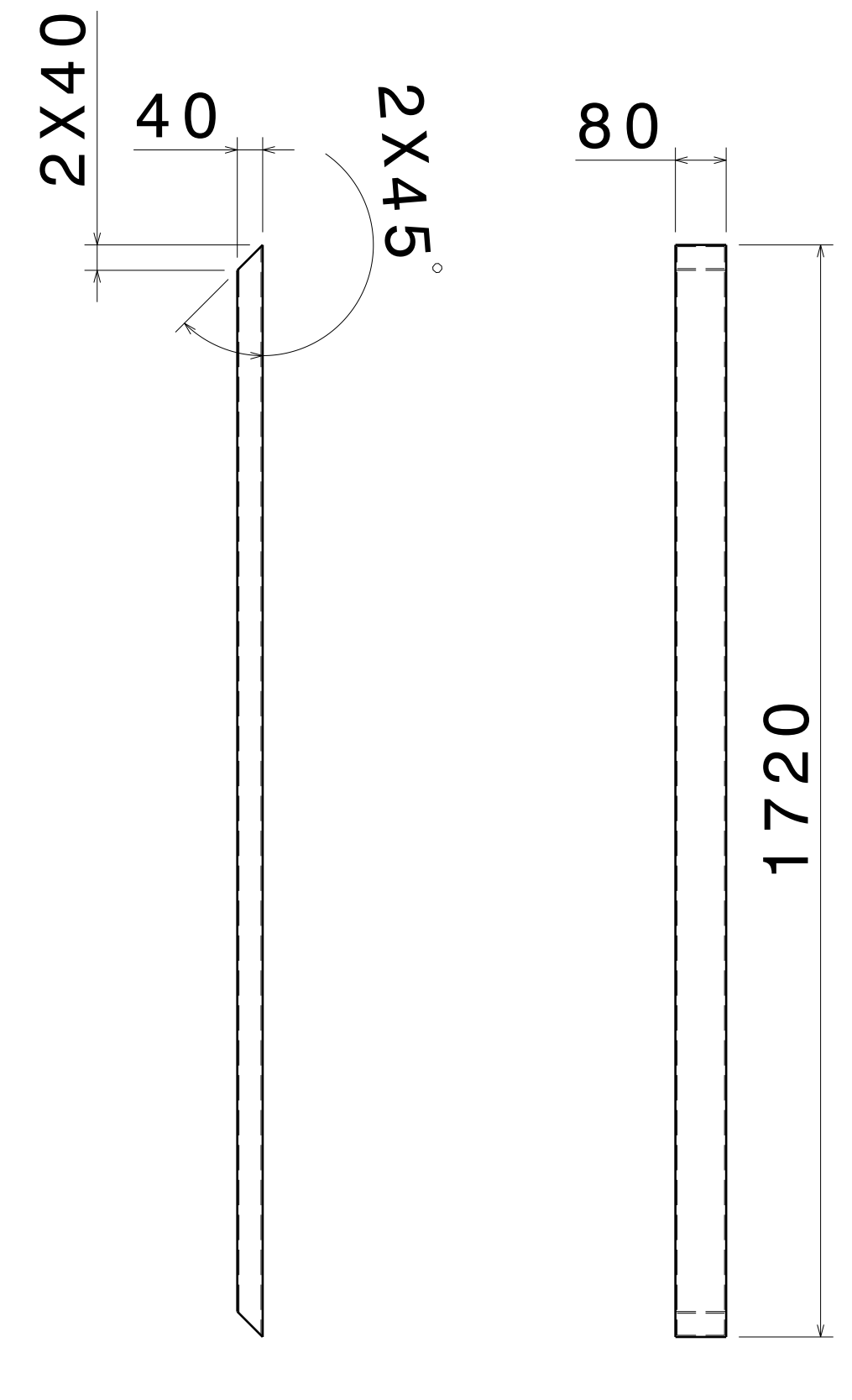
UNLESS OTHERWISE SPECIFIED DIMENSION ARE IN MM
VIEWS: THIRD ANGLE PROJECTION

This drawing is our property. It can't be reproduced or communicated without our written agreement.		APL APOLLO TUBES LTD.	
DRAWN BY SB		DATE 21OCT2020	
CHECKED BY P2P Analysis & Solutions		DATE 21OCT2020	
DESIGNED BY P2P Analysis & Solutions		DATE 21OCT2020	
DRAWING TITLE DOOR_2		SIZE A0	DRAWING NUMBER P2P_DOOR_2
SCALE NONE		WEIGHT (kg) XXX	REV 00
			SHEET 2 OF 3

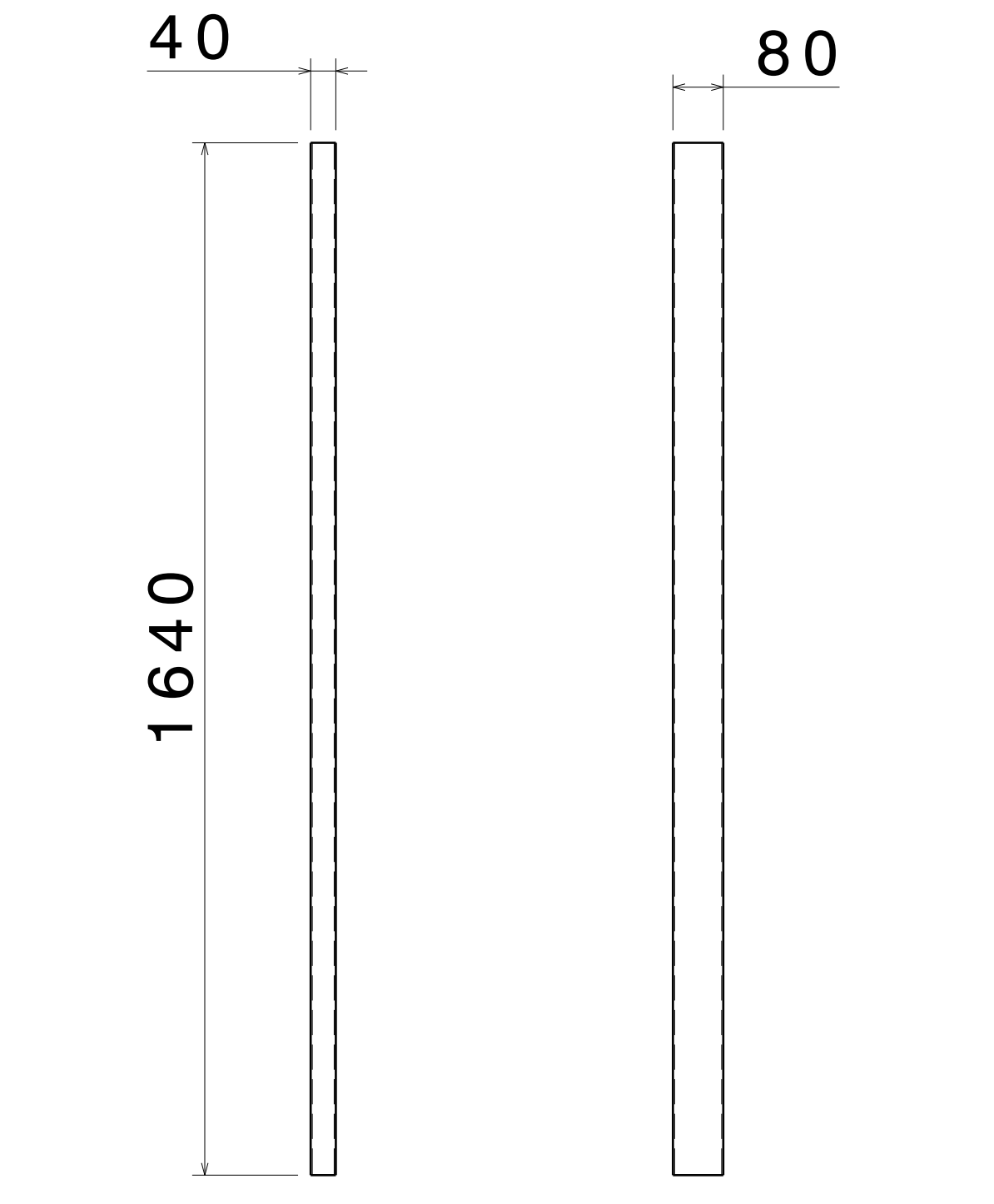
REV	DATE	DESCRIPTION
00	21OCT2020	INITIAL REVISION



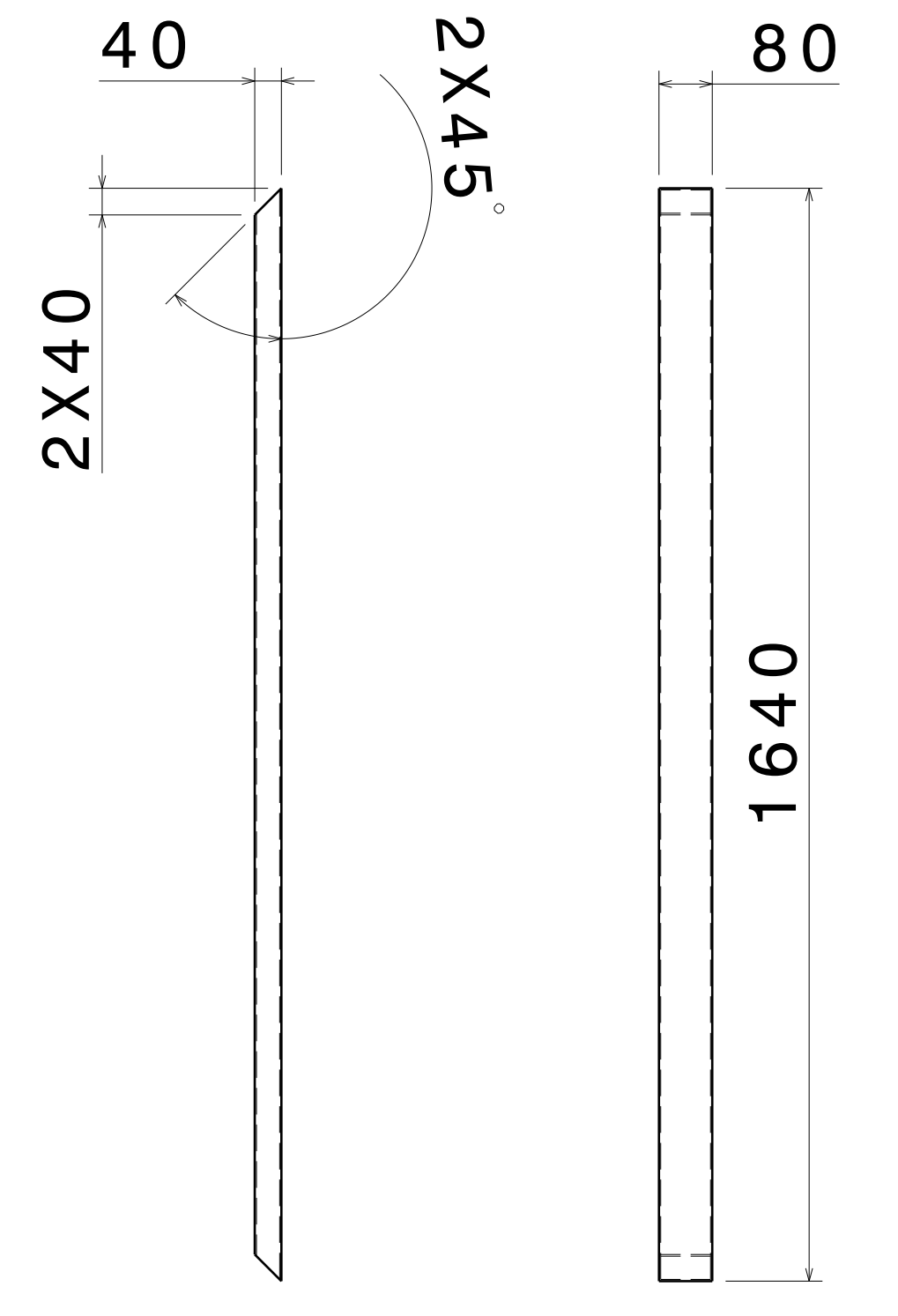
FRONT VIEW RIGHT VIEW
SCALE : 1:10 SCALE: 1:10
ITEM 1, RHS FRAME 1
THICKNESS - 2.6MM



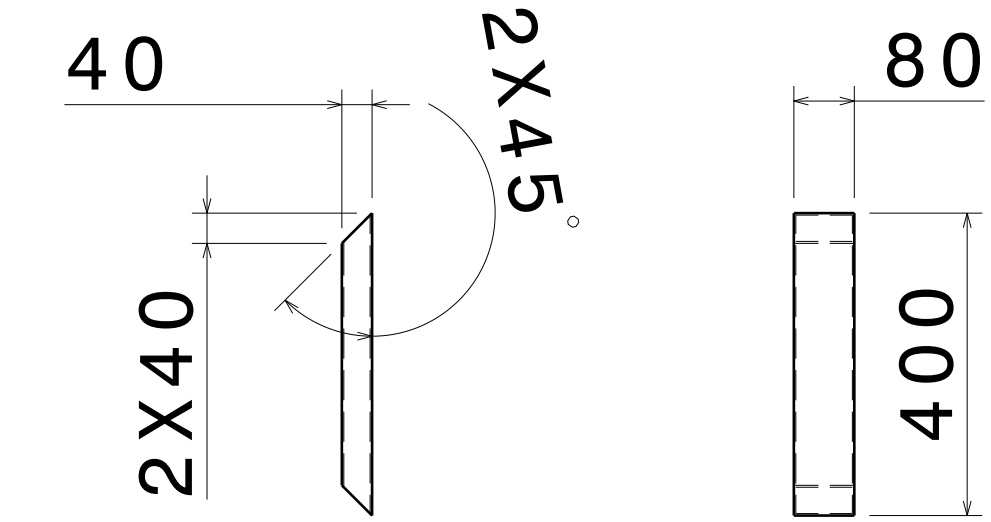
FRONT VIEW RIGHT VIEW
SCALE : 1:10 SCALE: 1:10
ITEM 2, RHS FRAME 2
THICKNESS - 2.6MM



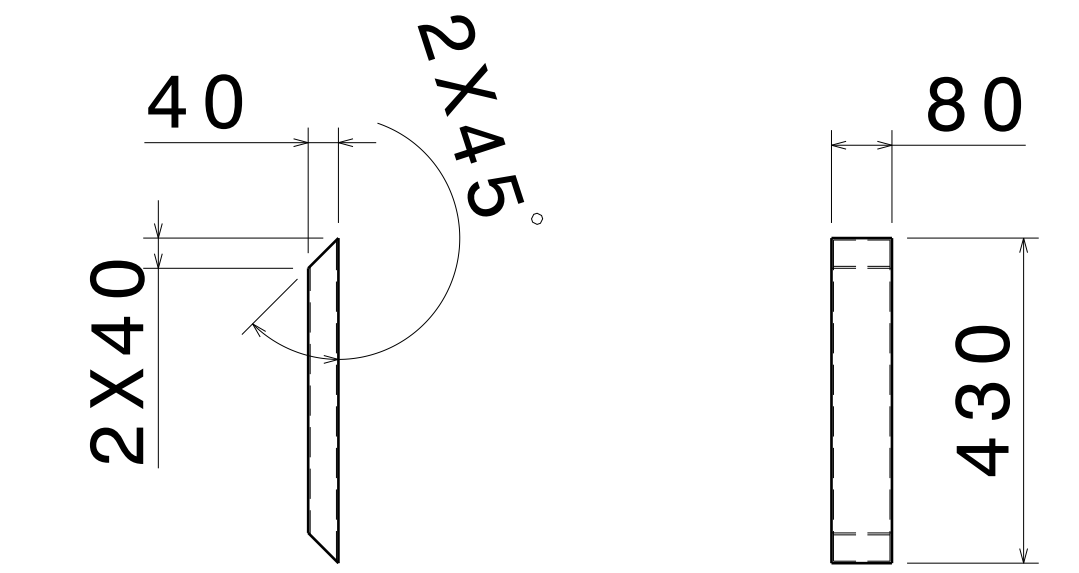
FRONT VIEW RIGHT VIEW
SCALE : 1:10 SCALE: 1:10
ITEM 3, RHS FRAME 3
THICKNESS - 2.6MM



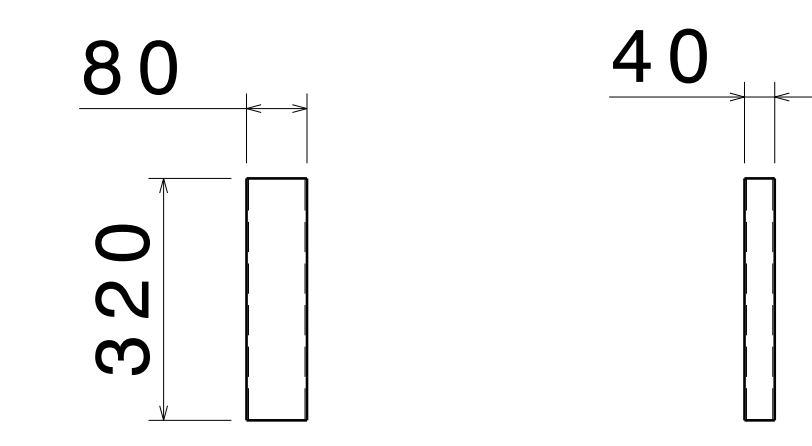
FRONT VIEW RIGHT VIEW
SCALE : 1:10 SCALE: 1:10
ITEM 4, RHS FRAME 4
THICKNESS - 2.6MM



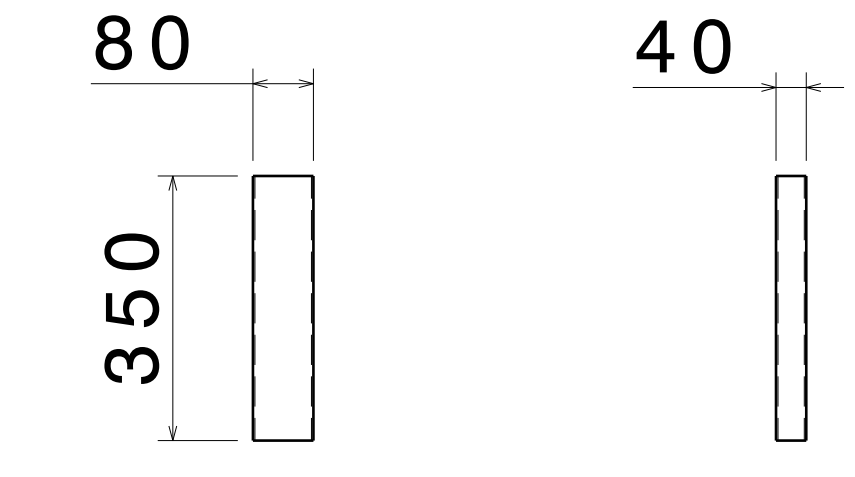
FRONT VIEW RIGHT VIEW
SCALE : 1:10 SCALE: 1:10
ITEM 5, RHS FRAME 5
THICKNESS - 2.6MM



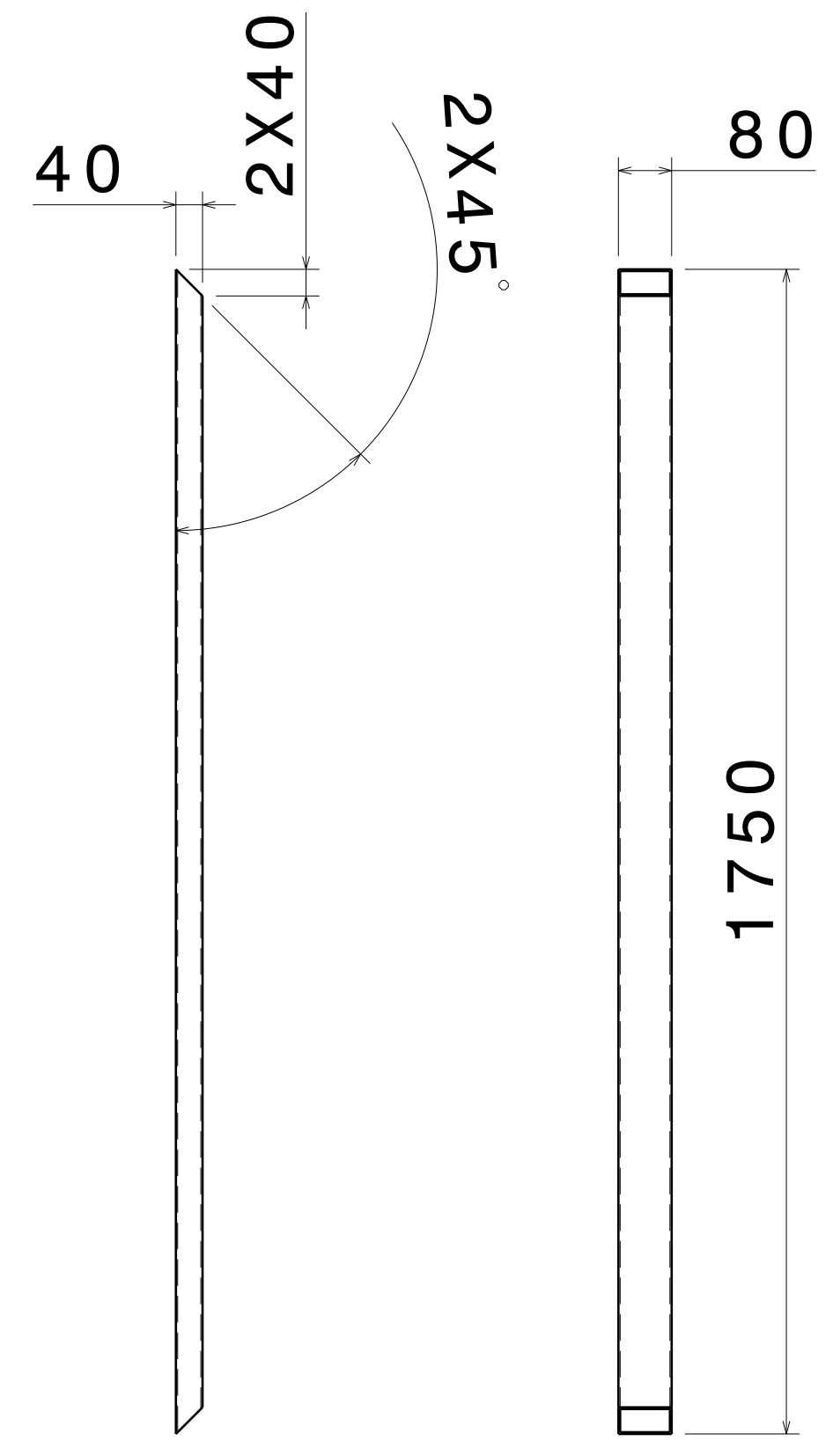
FRONT VIEW RIGHT VIEW
SCALE : 1:10 SCALE: 1:10
ITEM 7, RHS FRAME 7
THICKNESS - 2.6MM



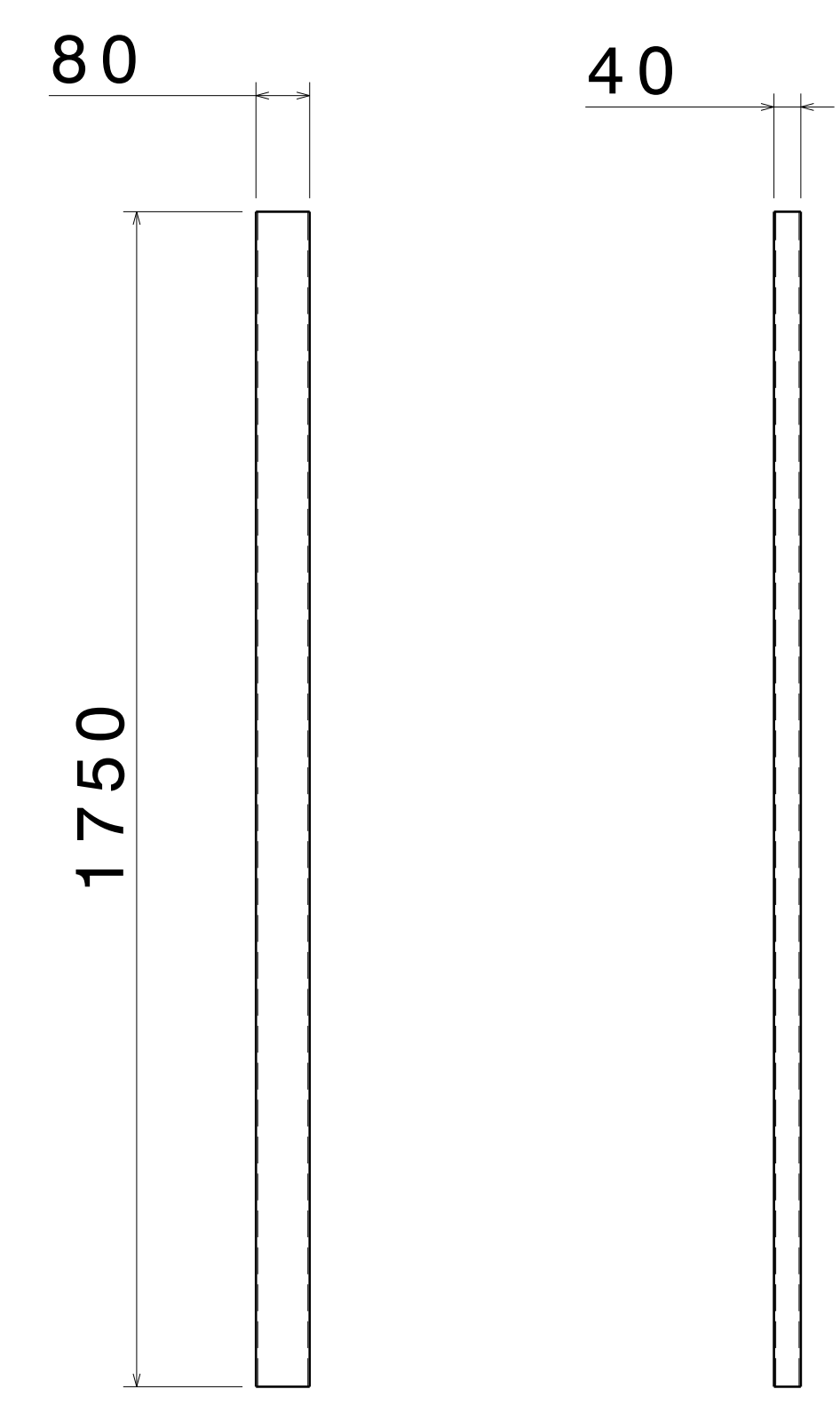
FRONT VIEW RIGHT VIEW
SCALE : 1:10 SCALE: 1:10
ITEM 6, RHS FRAME 6
THICKNESS - 2.6MM



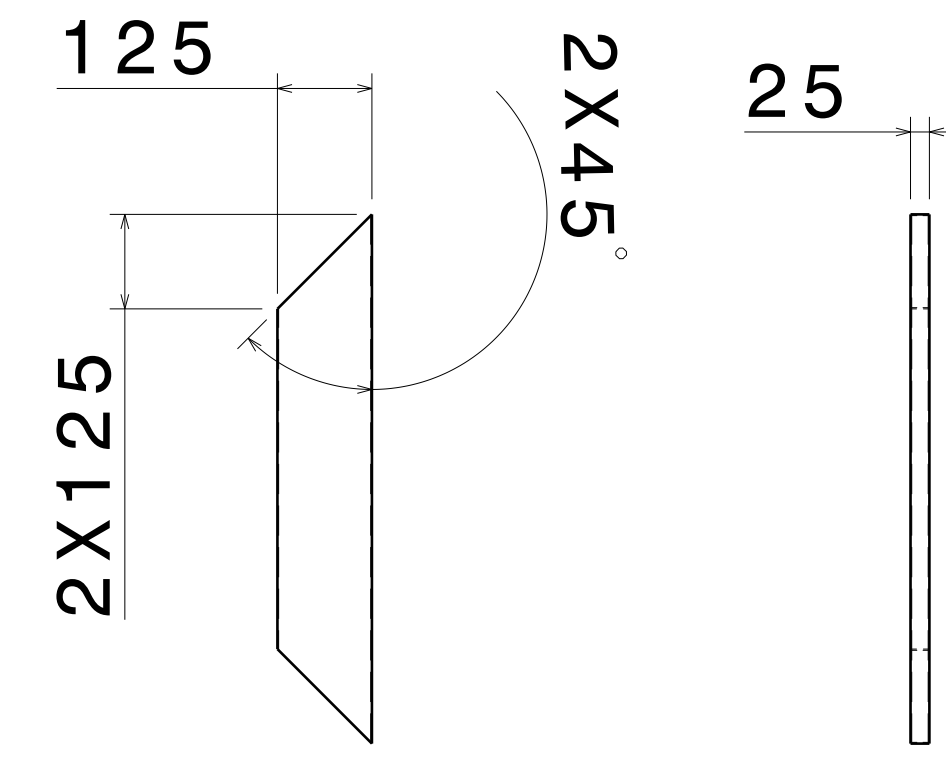
FRONT VIEW RIGHT VIEW
SCALE : 1:10 SCALE: 1:10
ITEM 8, RHS FRAME 8
THICKNESS - 2.6MM



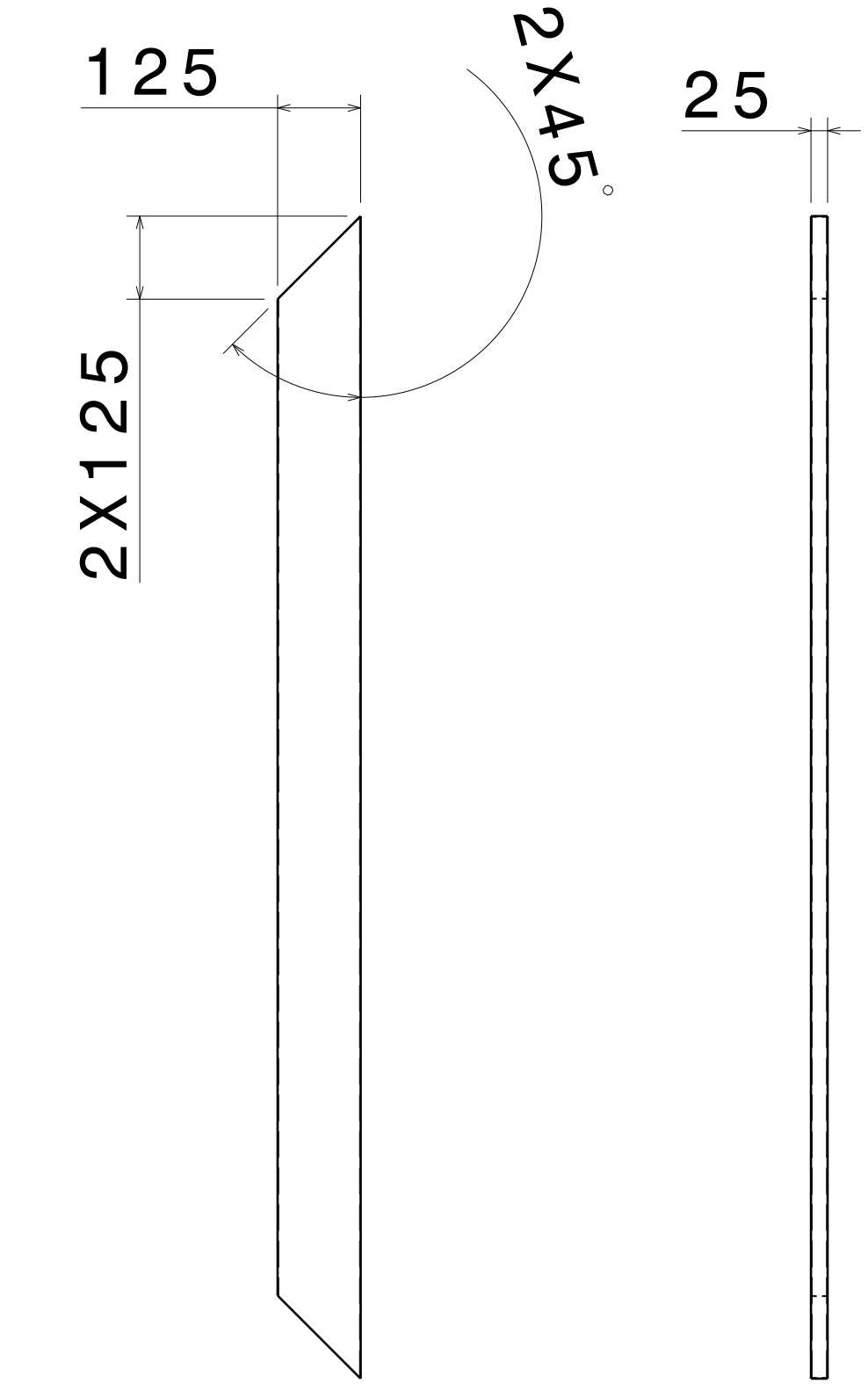
FRONT VIEW RIGHT VIEW
SCALE : 1:10 SCALE: 1:10
ITEM 9, RHS FRAME 9
THICKNESS - 2.6MM



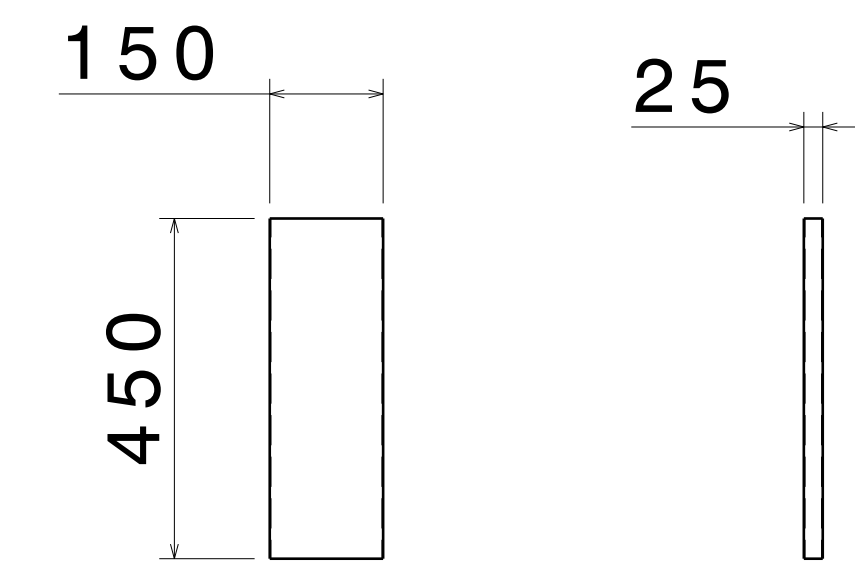
FRONT VIEW RIGHT VIEW
SCALE : 1:10 SCALE: 1:10
ITEM 10, RHS FRAME 10
THICKNESS - 2.6MM



FRONT VIEW RIGHT VIEW
SCALE : 1:10 SCALE: 1:10
ITEM 11, RHS PLANK 1
THICKNESS - 1.6MM



FRONT VIEW RIGHT VIEW
SCALE : 1:10 SCALE: 1:10
ITEM 12, RHS PLANK 2
THICKNESS - 1.6MM



FRONT VIEW RIGHT VIEW
SCALE : 1:10 SCALE: 1:10
ITEM 13, RHS PLANK 3
THICKNESS - 1.6MM

UNLESS OTHERWISE SPECIFIED DIMENSION ARE IN MM VIEWS: THIRD ANGLE PROJECTION

This drawing is our property. It can't be reproduced or communicated without our written agreement.		APL APOLLO TUBES LTD.	
DRAWN BY	DATE	DRAWING TITLE	
SB	21OCT2020	DOOR 2	
CHECKED BY	DATE	SIZE	DRAWING NUMBER
P2P Analysis & Solutions	21OCT2020	A0	P2P DOOR 2
DESIGNED BY	DATE	SCALE	WEIGHT (kg)
P2P Analysis & Solutions	21OCT2020	NONE	XXX
		SHEET 3 OF 3	