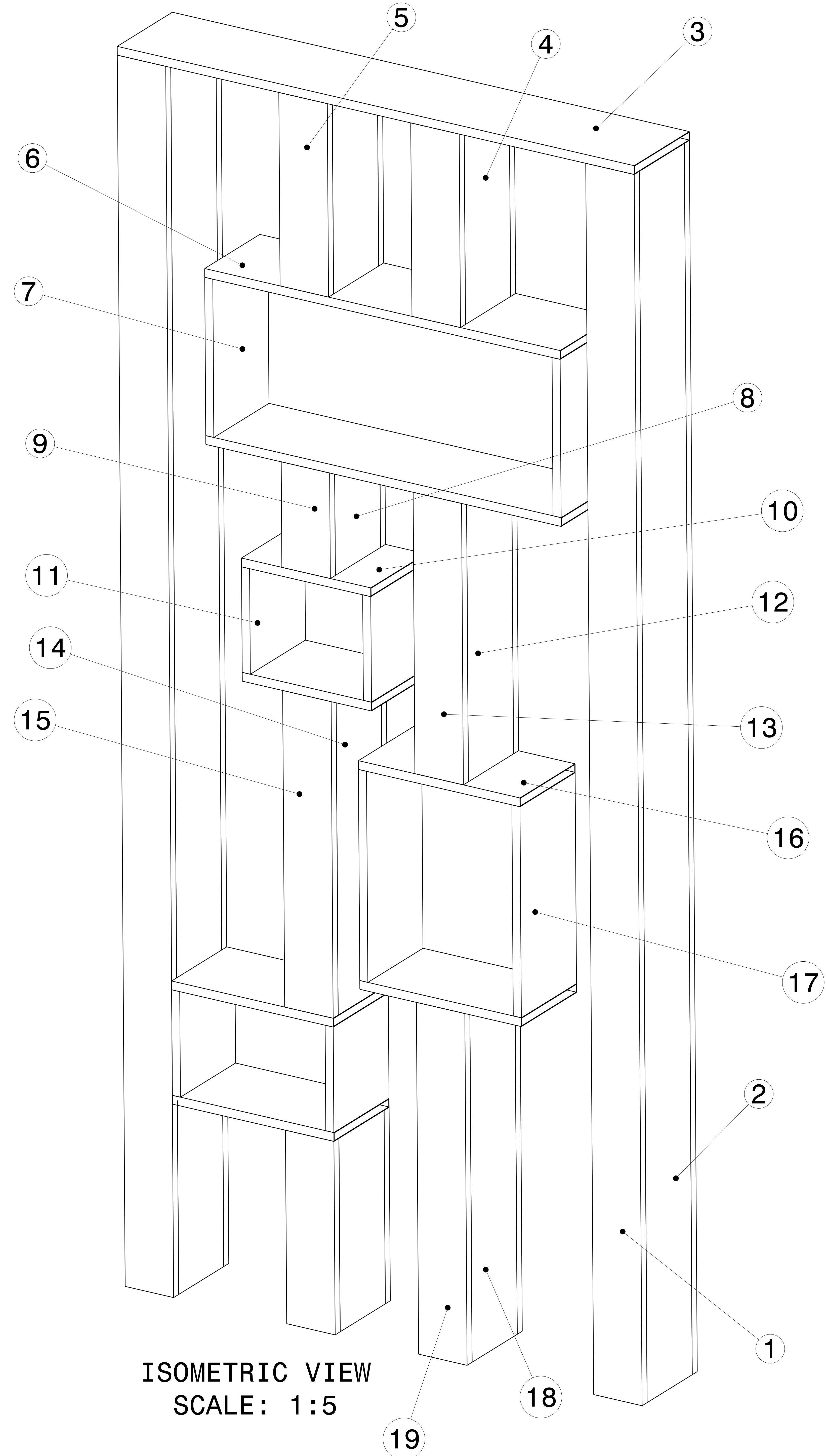


REV/DATE	DESCRIPTION
00 / 07OCT2020	INITIAL REVISION



ISOMETRIC VIEW
SCALE: 1:5

- NOTES:
- (⊥) ALL VERTICAL SUPPORTS ARE PERPENDICULAR.
 - FLATNESS OF .5MM IS APPLIED BY DEFAULT.
 - ⊲ WELD BEAD OF 2MM RADIUS IS FOLLOWED.
 - ▽ SURFACE FINISH MEDIUM TO SMOOTH IS USED.
 - ALL TUBES ARE AS PER APL APOLLO STANDARD. CHANGES MAY EFFECT THE LOAD CAPACITY.
 - ALL HORIZONTAL AND VERTICAL TUBES ARE PERPENDICULAR TO EACH OTHER WITH ±1 DEG.
 - FINE WELDING IS REQUIRED AS PER MENTIONED DETAILS AND FINISHING.
 - HIGHER CURRENT WELDING MAY AFFECT THE BRITTLNESS OF MATERIAL WHICH LATER MAY RAISE TO WEAKENING OF STRUCTURE.
 - FABRICATORS ARE ALLOWED TO USE FITTINGS/FRAMES/SUPPORTS AS NEEDED AND THE SAME MUST BE COMMUNICATED BACK TO ENGINEERING TEAM.
 - BOP COMPONENT WEIGHTS ARE FOR REFERENCE ONLY AND SUBJECTED TO CHANGE PER PURCHASED COMPONENTS.

ITEM NO.	PART NUMBER	DESCRIPTION	QTY.	Wt (Kg)/Each
19	RHS PLANK 19	150 X 25 X 1.6 X 1000	2	4.32
18	RHS PLANK 18	225 X 25 X 1.6 X 1000	2	6.21
17	RHS PLANK 17	275 X 25 X 1.6 X 600	2	4.48
16	RHS PLANK 16	275 X 25 X 1.6 X 500	4	3.73
15	RHS PLANK 15	150 X 25 X 1.6 X 900	2	3.89
14	RHS PLANK 14	225 X 25 X 1.6 X 900	2	5.59
13	RHS PLANK 13	150 X 25 X 1.6 X 800	2	3.46
12	RHS PLANK 12	225 X 25 X 1.6 X 800	2	4.97
11	RHS PLANK 11	275 X 25 X 1.6 X 300	2	2.24
10	RHS PLANK 10	275 X 25 X 1.6 X 400	2	2.99
9	RHS PLANK 9	150 X 25 X 1.6 X 300	2	1.30
8	RHS PLANK 8	225 X 25 X 1.6 X 300	2	1.86
7	RHS PLANK 7	275 X 25 X 1.6 X 450	2	3.36
6	RHS PLANK 6	275 X 25 X 1.6 X 1100	2	8.21
5	RHS PLANK 5	150 X 25 X 1.6 X 550	6	2.38
4	RHS PLANK 4	225 X 25 X 1.6 X 550	6	3.41
3	RHS PLANK 3	275 X 25 X 1.6 X 1600	1	11.94
2	RHS PLANK 2	225 X 25 X 1.6 X 3500	4	21.73
1	RHS PLANK 1	150 X 25 X 1.6 X 3500	4	15.12

This drawing is our property. It can't be reproduced or communicated without our written agreement.

APL APOLLO TUBES LTD.

DRAWING TITLE: DECORATIVE GYPSUM BOARD PARTITION

DRAWN BY: VM DATE: 07OCT2020

CHECKED BY: P2P Analysis & Solutions DATE: 07OCT2020

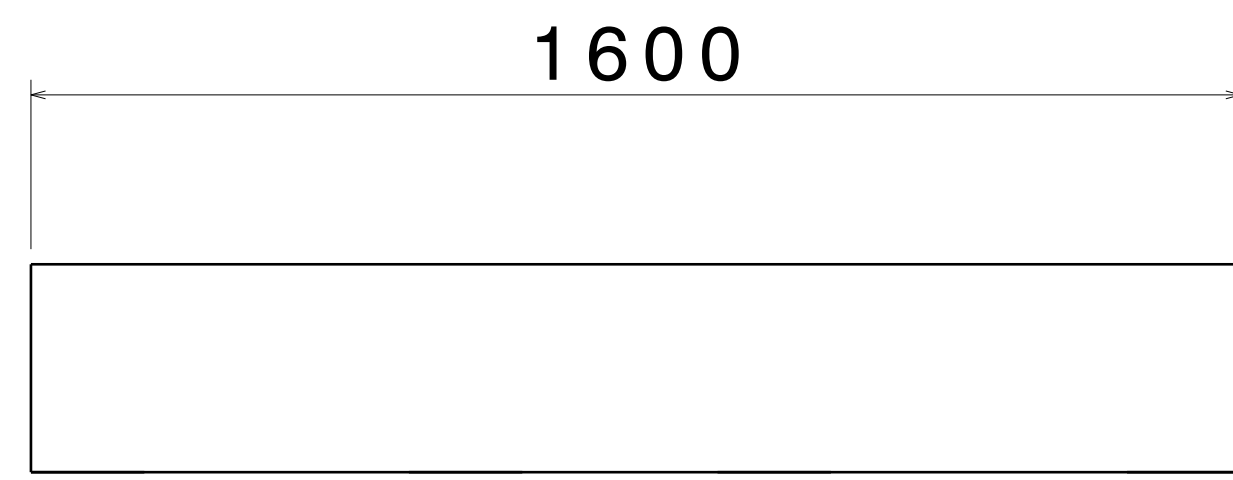
DESIGNED BY: P2P Analysis & Solutions DATE: 07OCT2020

SIZE: A0 DRAWING NUMBER: P2P_DECORATIVE GYPSUM BOARD

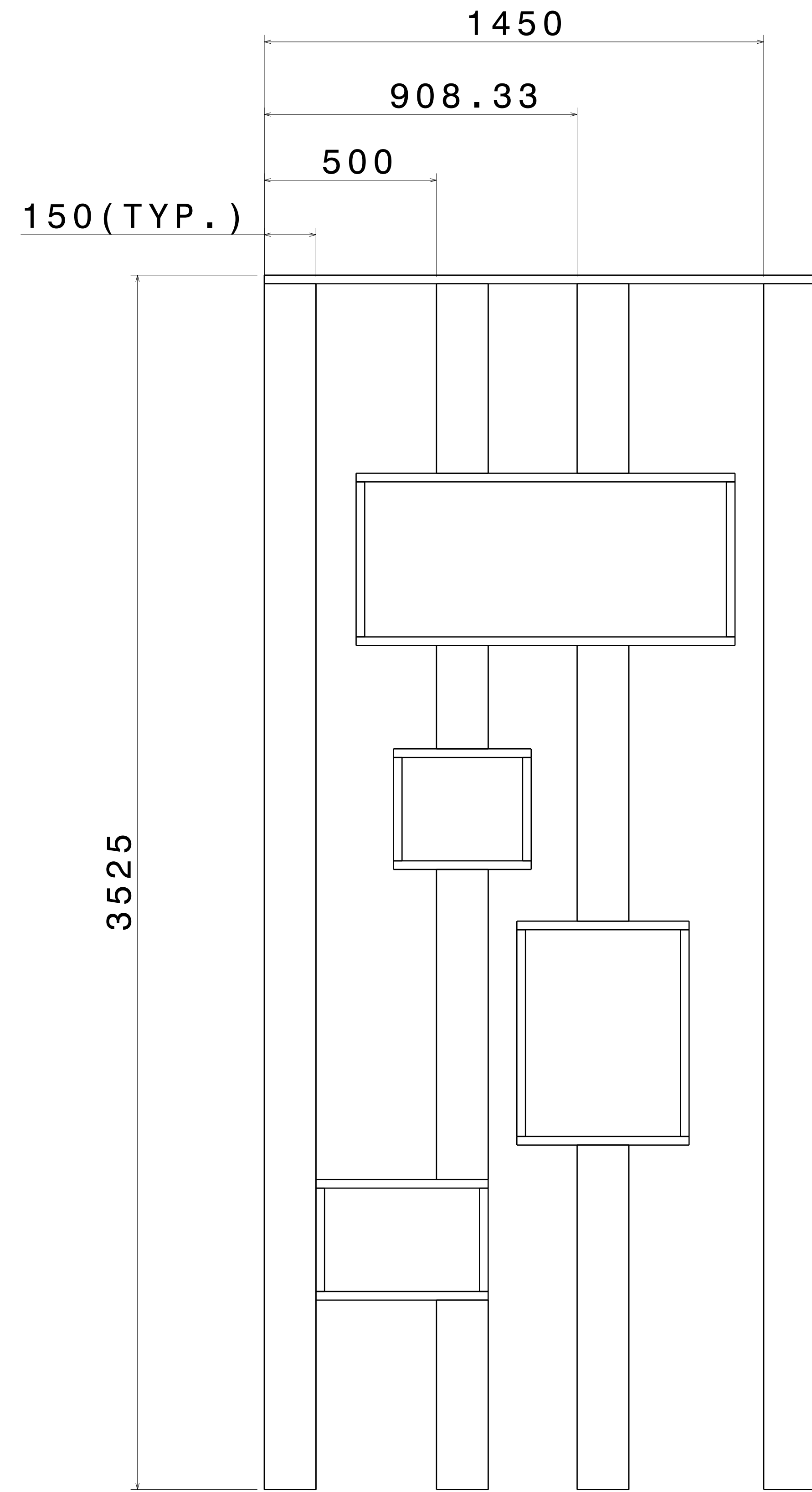
SCALE: As Indicated WEIGHT (kg): Okg SHEET 1 OF 3

UNLESS OTHERWISE SPECIFIED DIMENSION ARE IN MM VIEWS: THIRD ANGLE PROJECTION

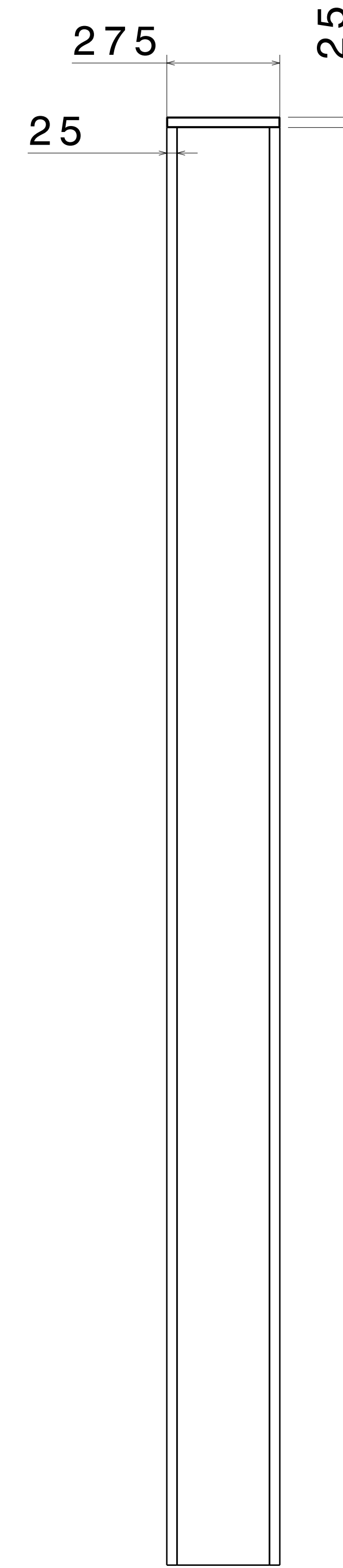
REV	DATE	DESCRIPTION
00	07OCT2020	INITIAL REVISION



TOP VIEW
SCALE: 1:10

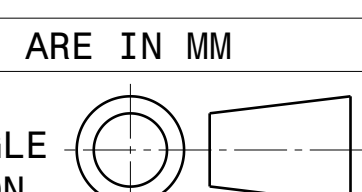



FRONT VIEW
SCALE: 1:10



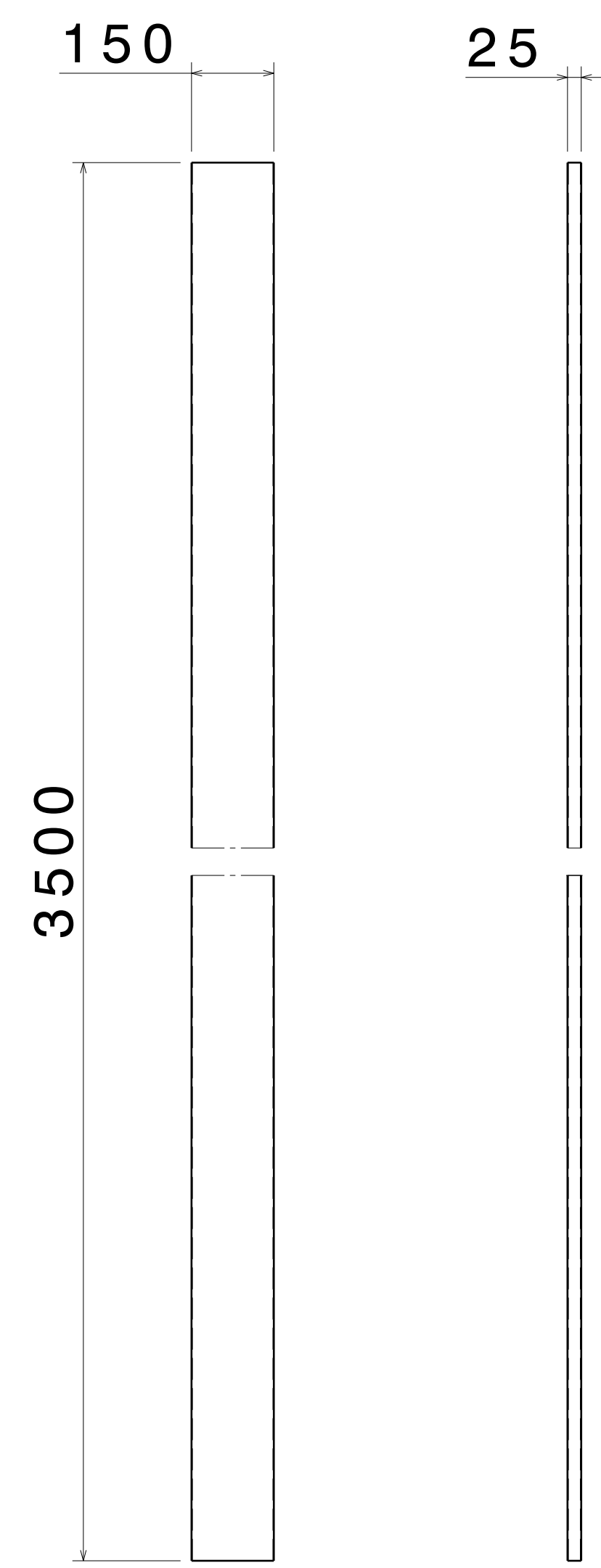
RIGHT VIEW
SCALE: 1:10

UNLESS OTHERWISE SPECIFIED DIMENSION ARE IN MM
VIEWS: THIRD ANGLE PROJECTION

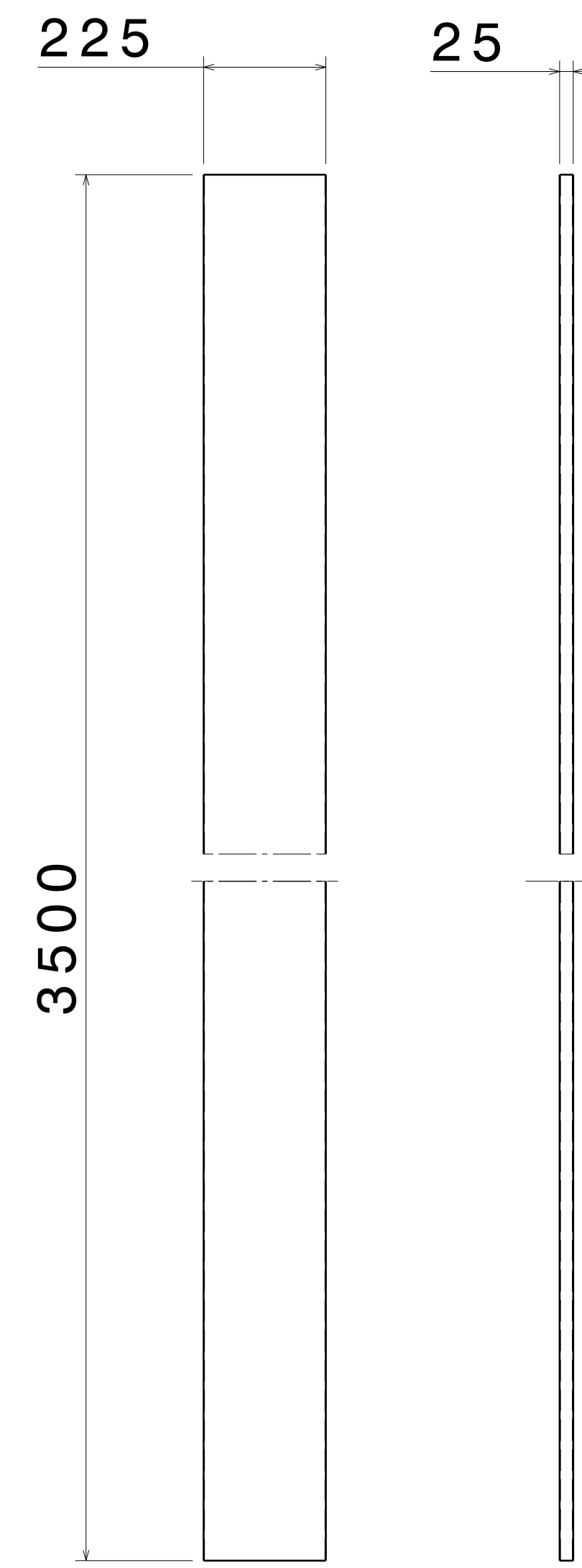


This drawing is our property. It can't be reproduced or communicated without our written agreement.		APL APOLLO TUBES LTD. 	
DRAWN BY SB		DRAWING TITLE DECORATIVE GYPSUM BOARD PARTITION	
CHECKED BY P2P Analysis & Solutions		DATE 07OCT2020	
DESIGNED BY P2P Analysis & Solutions		DATE 07OCT2020	
SCALE	NONE	WEIGHT (kg)	XXX
SHEET 2 OF 3			

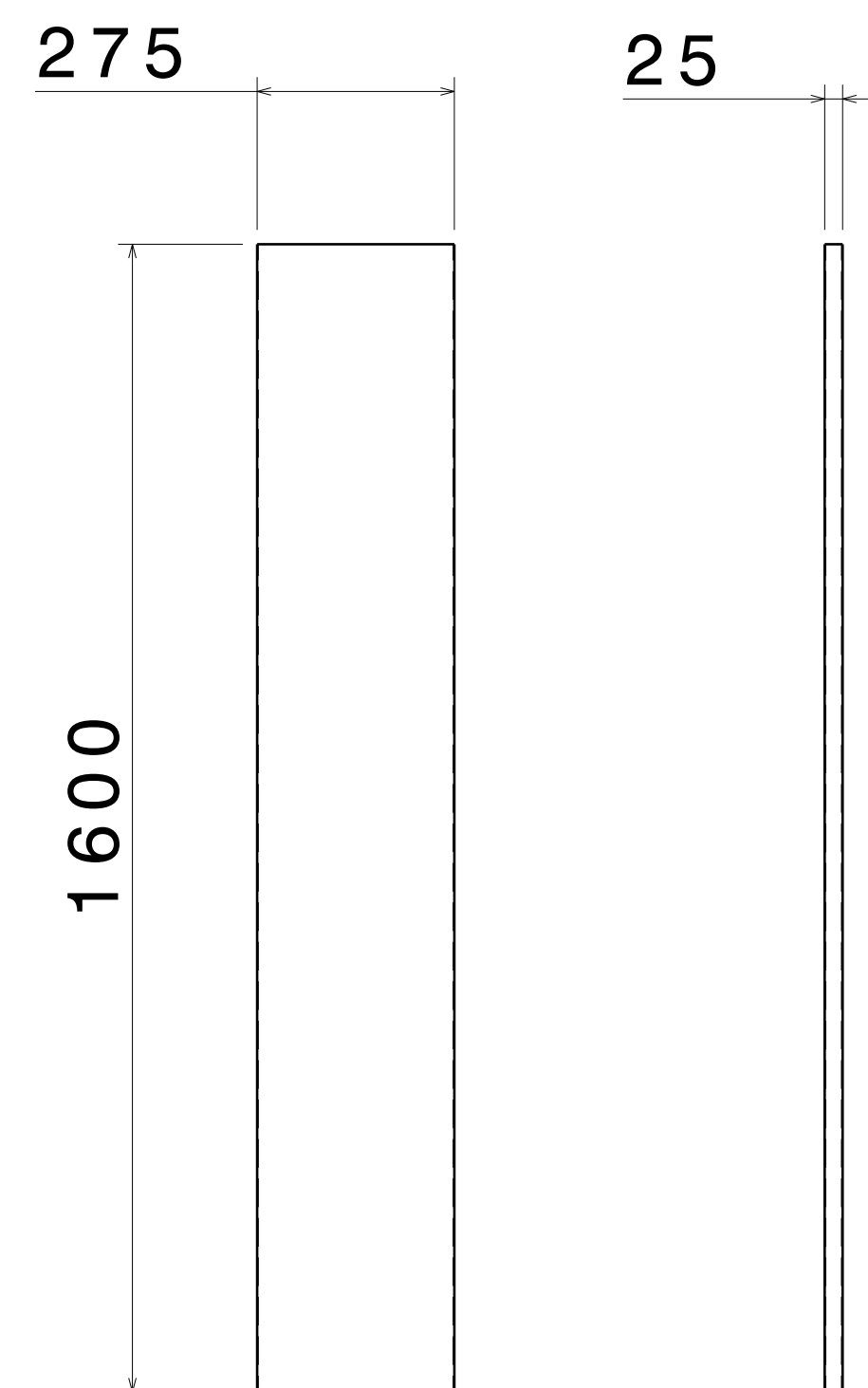
REV	DATE	DESCRIPTION
00	07OCT2020	INITIAL REVISION



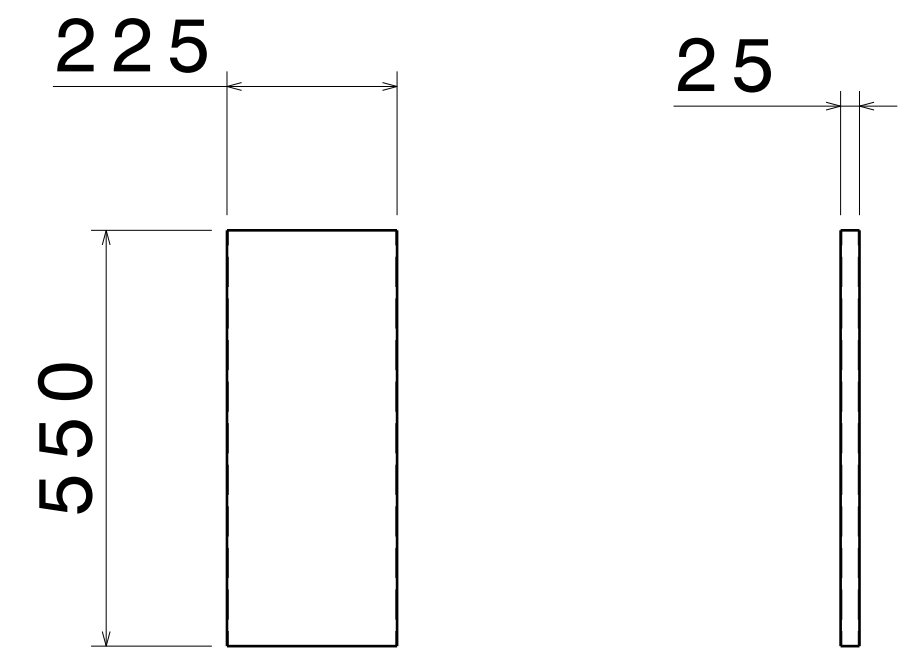
FRONT VIEW RIGHT VIEW
SCALE: 1:10 SCALE: 1:10
ITEM 1, RHS PLANK 1
THICKNESS - 1.6MM



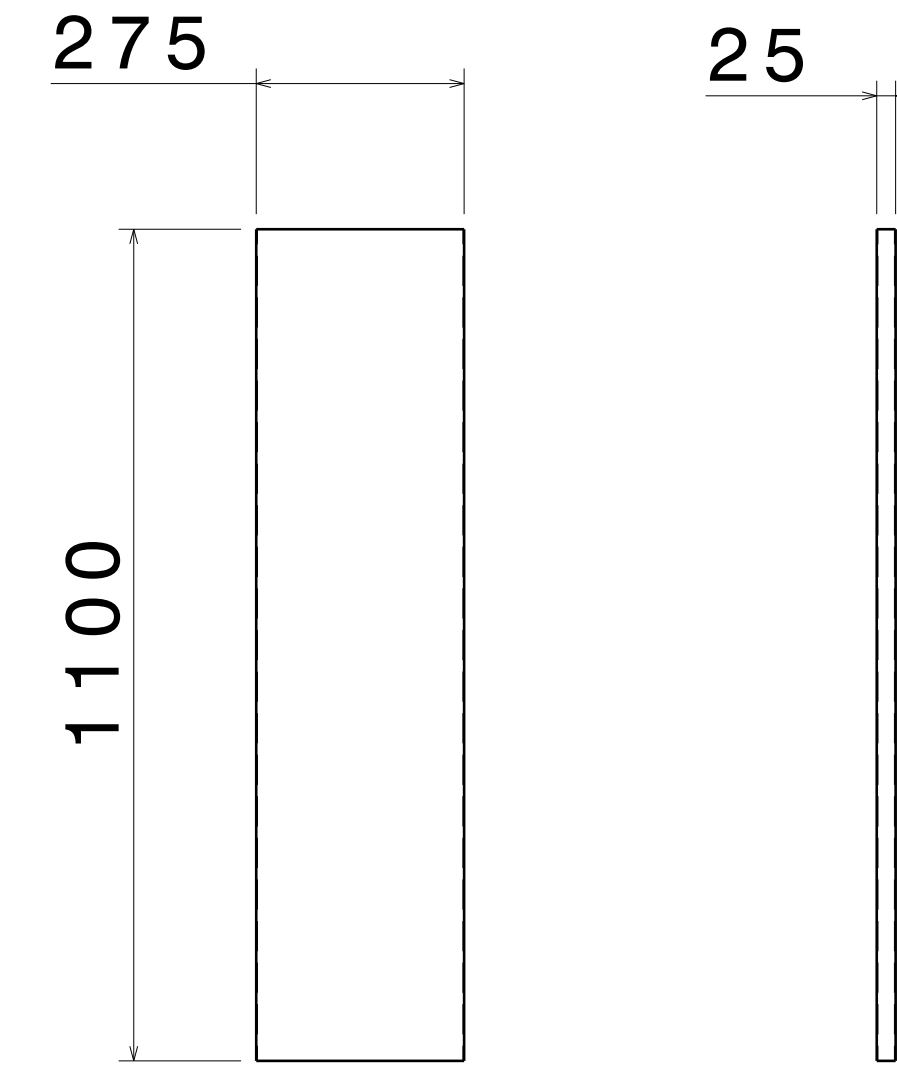
FRONT VIEW RIGHT VIEW
SCALE: 1:10 SCALE: 1:10
ITEM 2, RHS PLANK 2
THICKNESS - 1.6MM



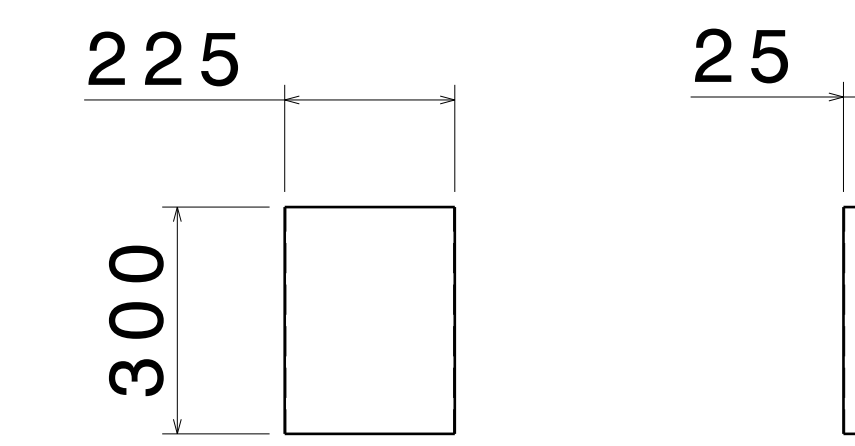
FRONT VIEW RIGHT VIEW
SCALE: 1:10 SCALE: 1:10
ITEM 3, RHS PLANK 3
THICKNESS - 1.6MM



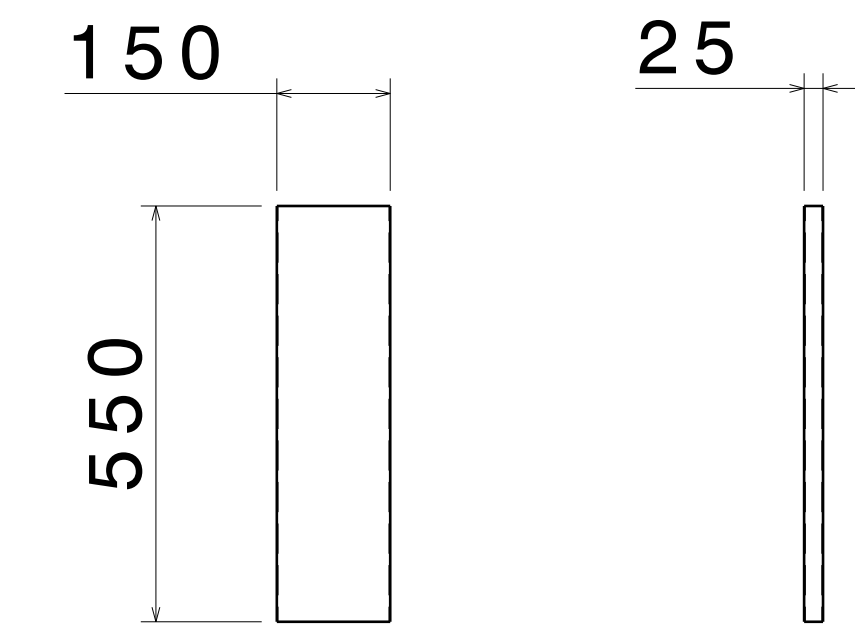
FRONT VIEW RIGHT VIEW
SCALE: 1:10 SCALE: 1:10
ITEM 4, RHS PLANK 4
THICKNESS - 1.6MM



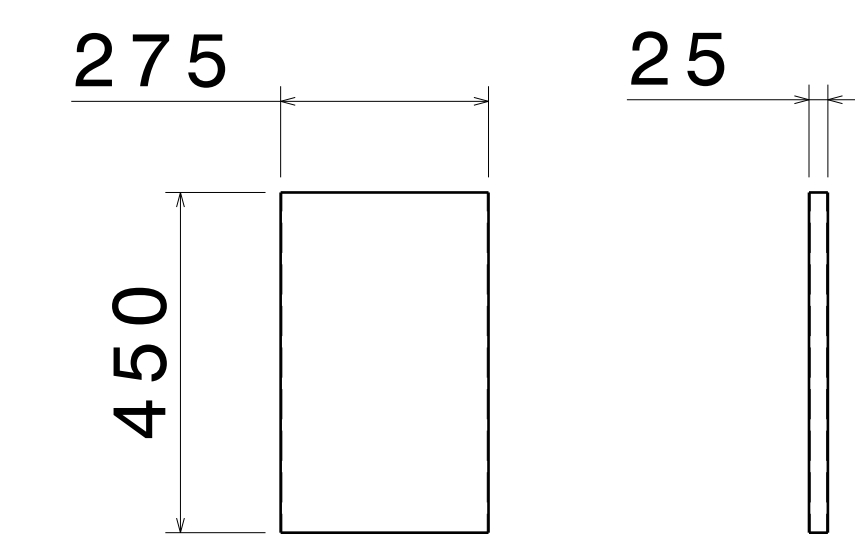
FRONT VIEW RIGHT VIEW
SCALE: 1:10 SCALE: 1:10
ITEM 6, RHS PLANK 6
THICKNESS - 1.6MM



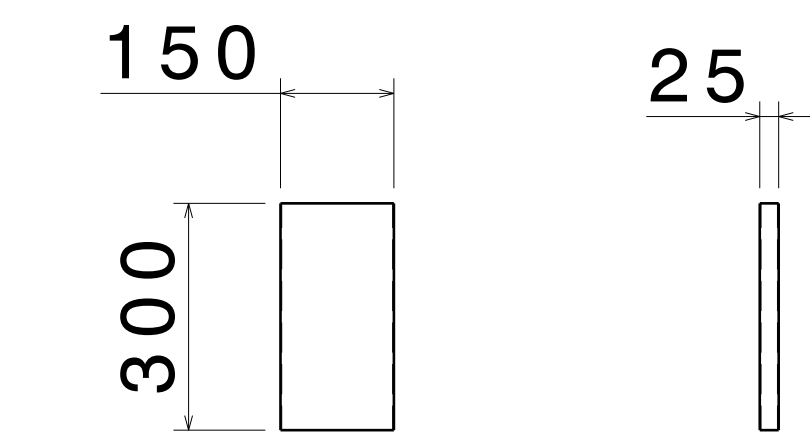
FRONT VIEW RIGHT VIEW
SCALE: 1:10 SCALE: 1:10
ITEM 8, RHS PLANK 8
THICKNESS - 1.6MM



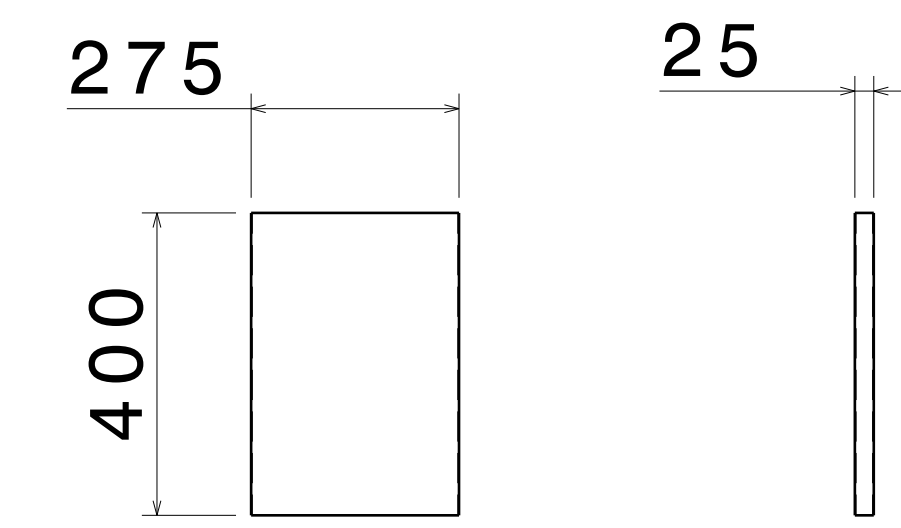
FRONT VIEW RIGHT VIEW
SCALE: 1:10 SCALE: 1:10
ITEM 5, RHS PLANK 5
THICKNESS - 1.6MM



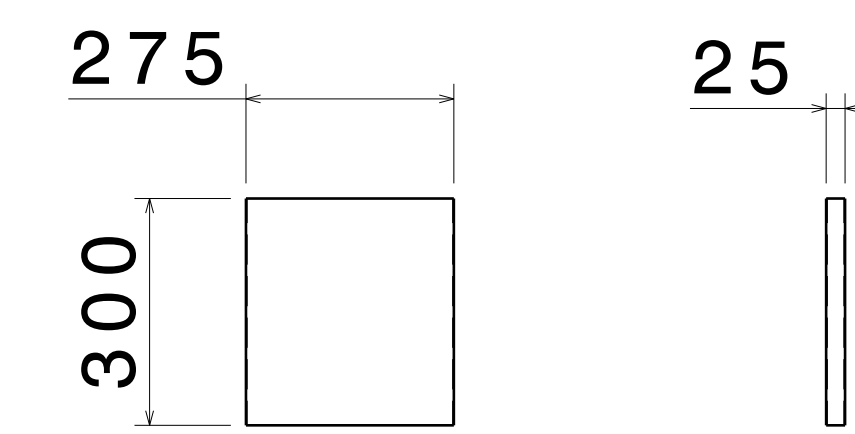
FRONT VIEW RIGHT VIEW
SCALE: 1:10 SCALE: 1:10
ITEM 7, RHS PLANK 7
THICKNESS - 1.6MM



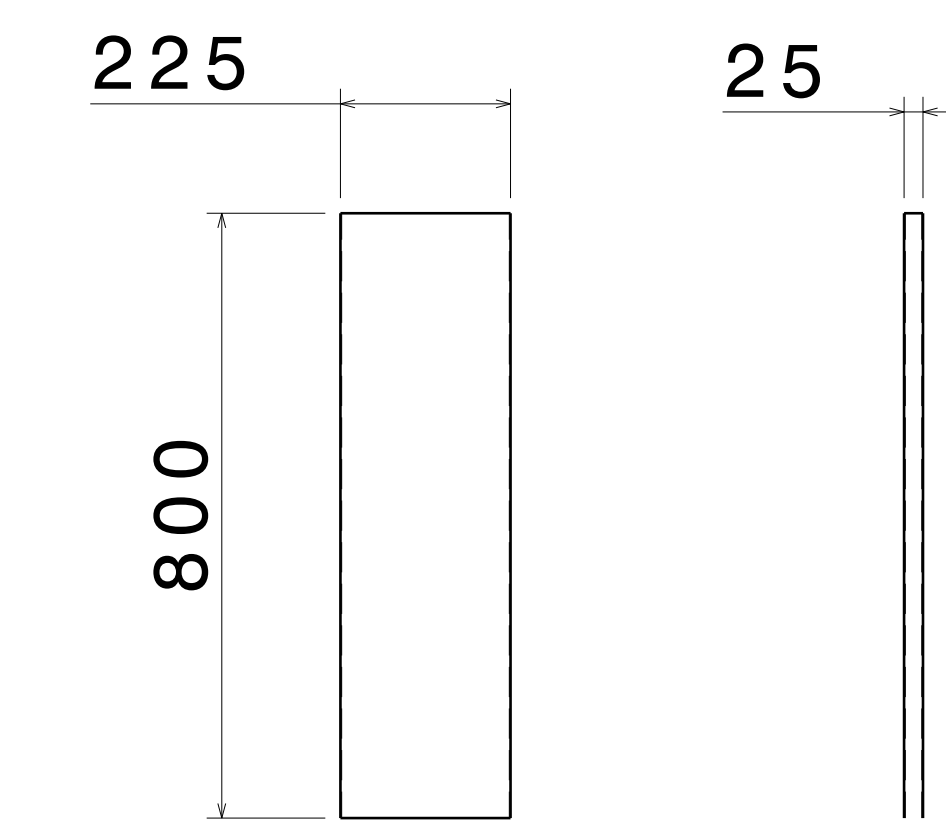
FRONT VIEW RIGHT VIEW
SCALE: 1:10 SCALE: 1:10
ITEM 9, RHS PLANK 9
THICKNESS - 1.6MM



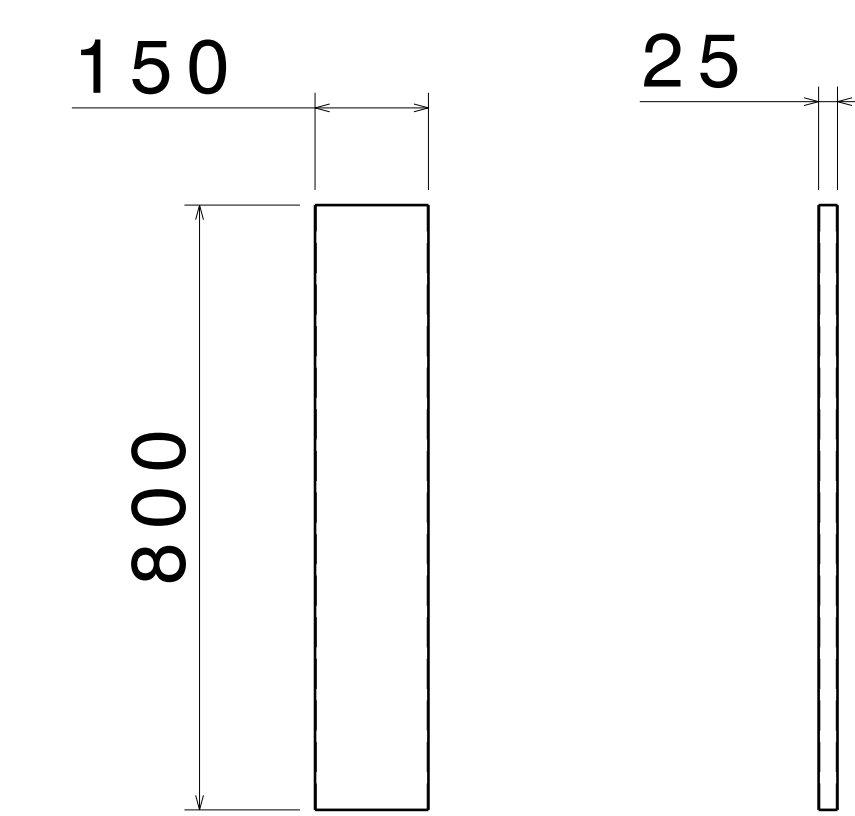
FRONT VIEW RIGHT VIEW
SCALE: 1:10 SCALE: 1:10
ITEM 10, RHS PLANK 10
THICKNESS - 1.6MM



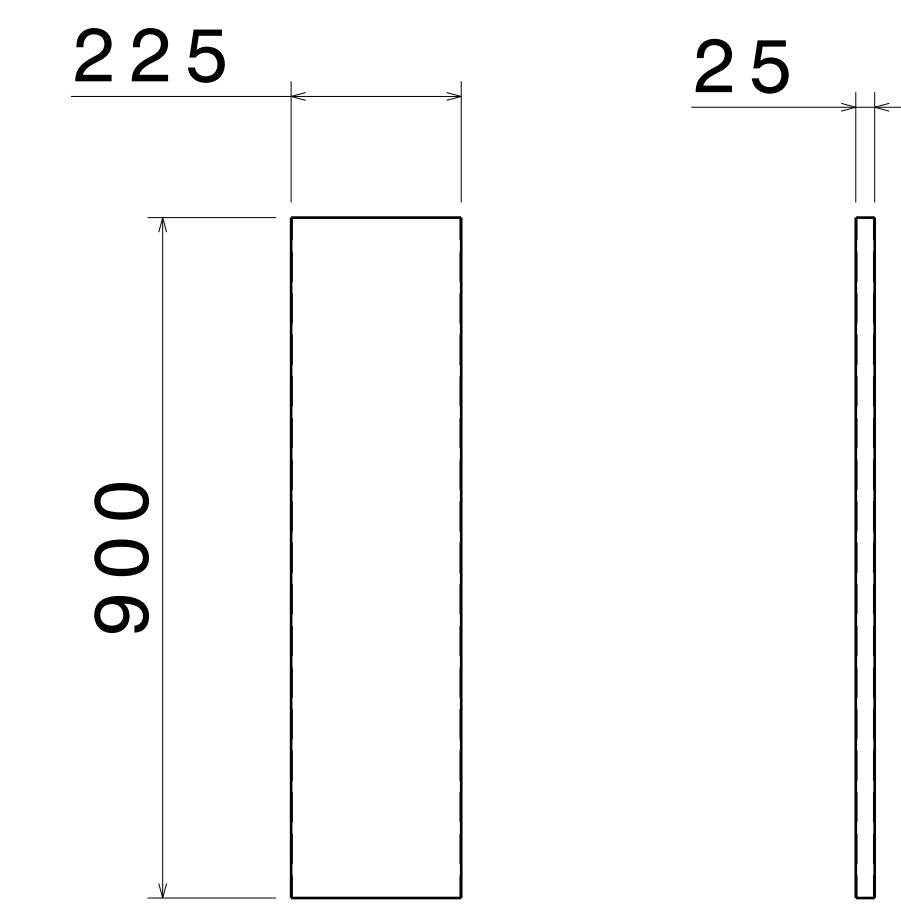
FRONT VIEW RIGHT VIEW
SCALE: 1:10 SCALE: 1:10
ITEM 11, RHS PLANK 11
THICKNESS - 1.6MM



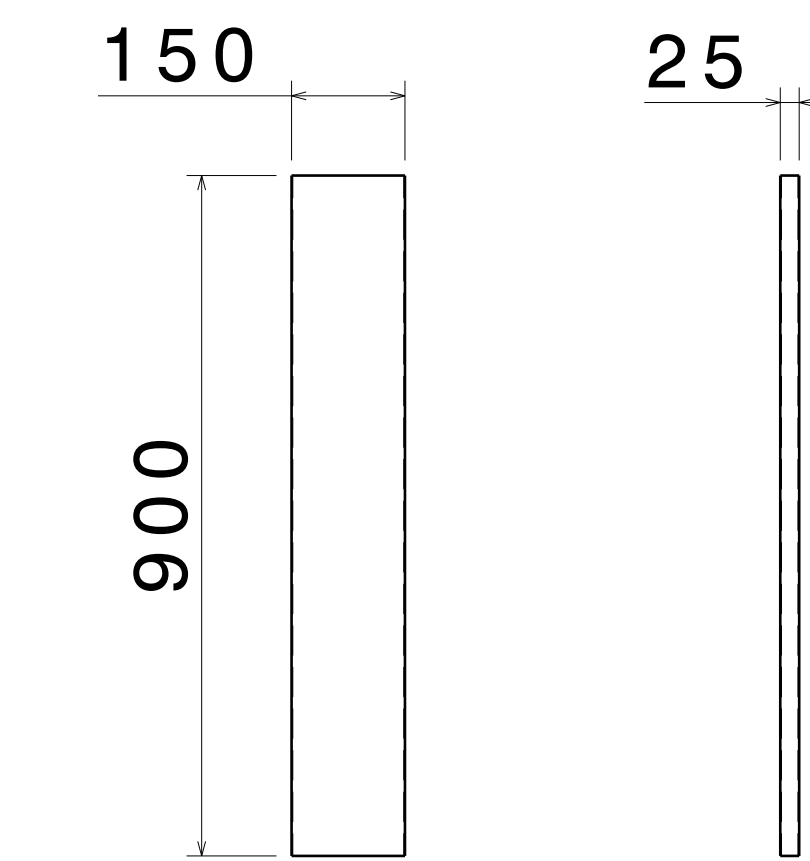
FRONT VIEW RIGHT VIEW
SCALE: 1:10 SCALE: 1:10
ITEM 12, RHS PLANK 12
THICKNESS - 1.6MM



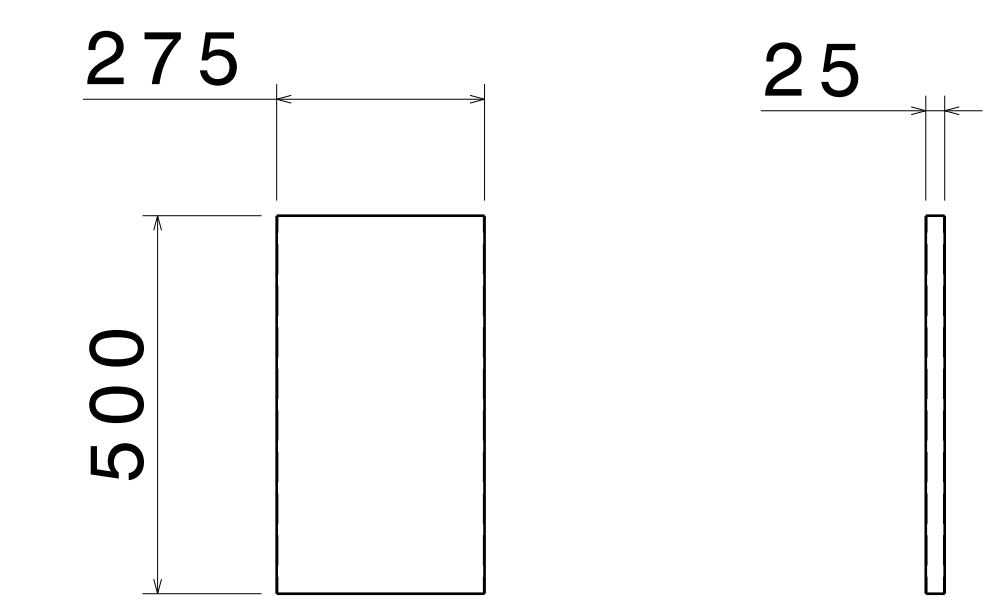
FRONT VIEW RIGHT VIEW
SCALE: 1:10 SCALE: 1:10
ITEM 13, RHS PLANK 13
THICKNESS - 1.6MM



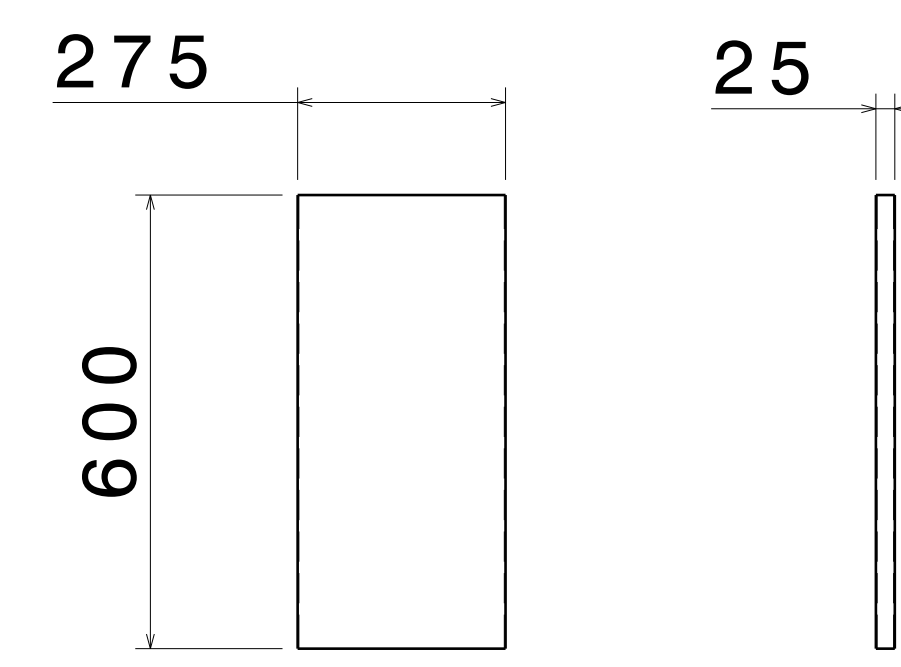
FRONT VIEW RIGHT VIEW
SCALE: 1:10 SCALE: 1:10
ITEM 14, RHS PLANK 14
THICKNESS - 1.6MM



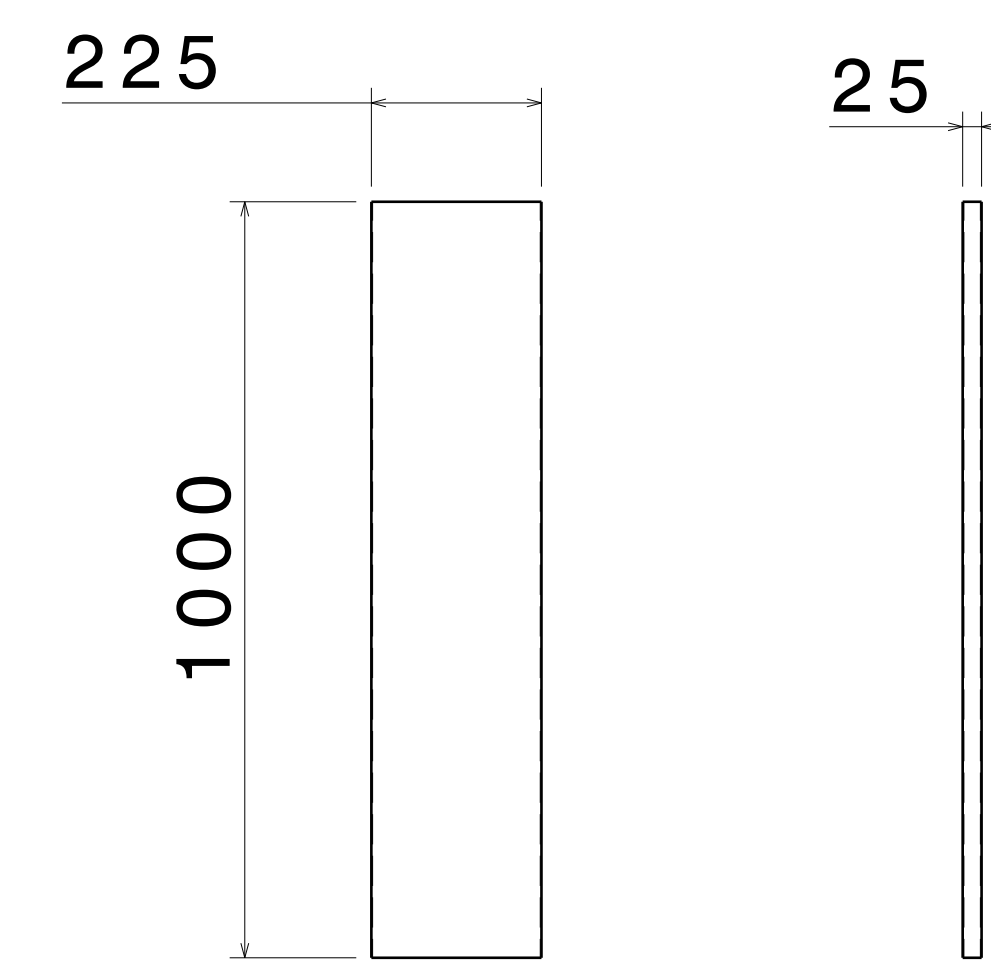
FRONT VIEW RIGHT VIEW
SCALE: 1:10 SCALE: 1:10
ITEM 15, RHS PLANK 15
THICKNESS - 1.6MM



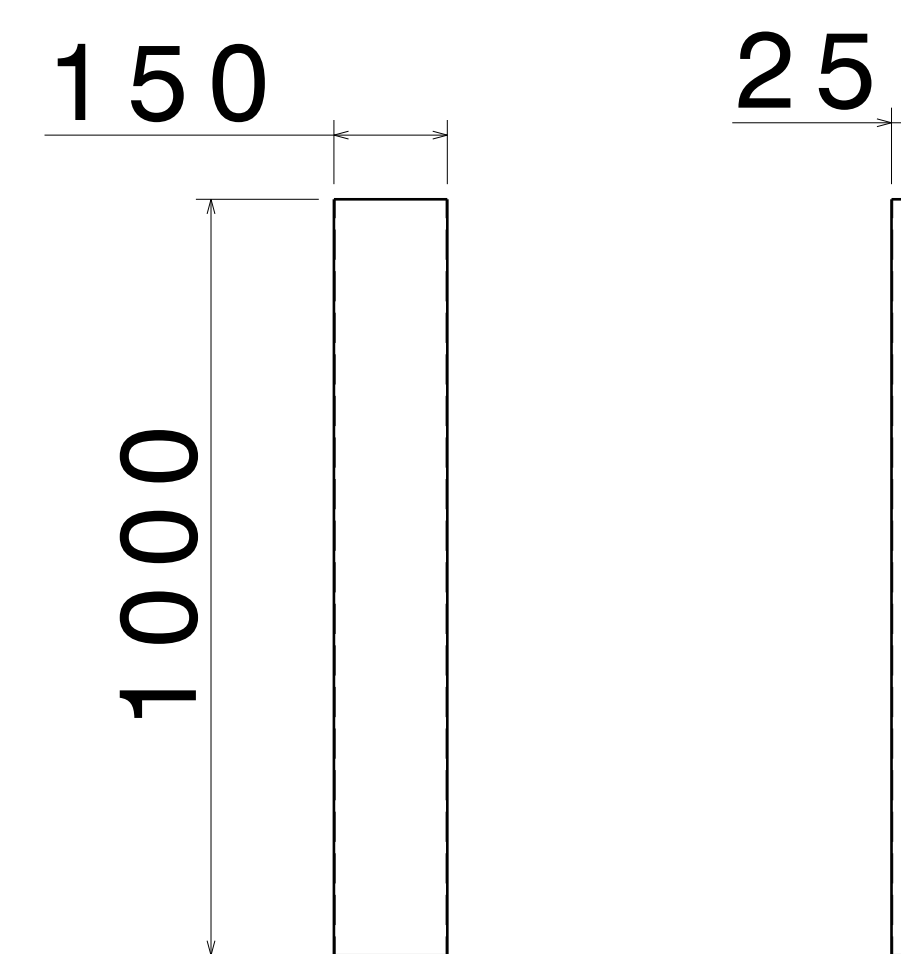
FRONT VIEW RIGHT VIEW
SCALE: 1:10 SCALE: 1:10
ITEM 16, RHS PLANK 16
THICKNESS - 1.6MM



FRONT VIEW RIGHT VIEW
SCALE: 1:10 SCALE: 1:10
ITEM 17, RHS PLANK 17
THICKNESS - 1.6MM



FRONT VIEW RIGHT VIEW
SCALE: 1:10 SCALE: 1:10
ITEM 18, RHS PLANK 18
THICKNESS - 1.6MM



FRONT VIEW RIGHT VIEW
SCALE: 1:10 SCALE: 1:10
ITEM 19, RHS PLANK 19
THICKNESS - 1.6MM

This drawing is our property. It can't be reproduced or communicated without our written agreement.

APL APOLLO TUBES LTD.

DRAWN BY	DATE	DRAWING TITLE	
SB	07OCT2020	DECORATIVE GYPSUM BOARD PARTITION	
CHECKED BY	DATE	SIZE	DRAWING NUMBER
P2P Analysis & Solutions	07OCT2020	A0	P2P DECORATIVE GYPSUM BOARD 00
DESIGNED BY	DATE	SCALE	WEIGHT (kg)
P2P Analysis & Solutions	07OCT2020	NONE	XXX

UNLESS OTHERWISE SPECIFIED DIMENSION ARE IN MM VIEWS: THIRD ANGLE PROJECTION