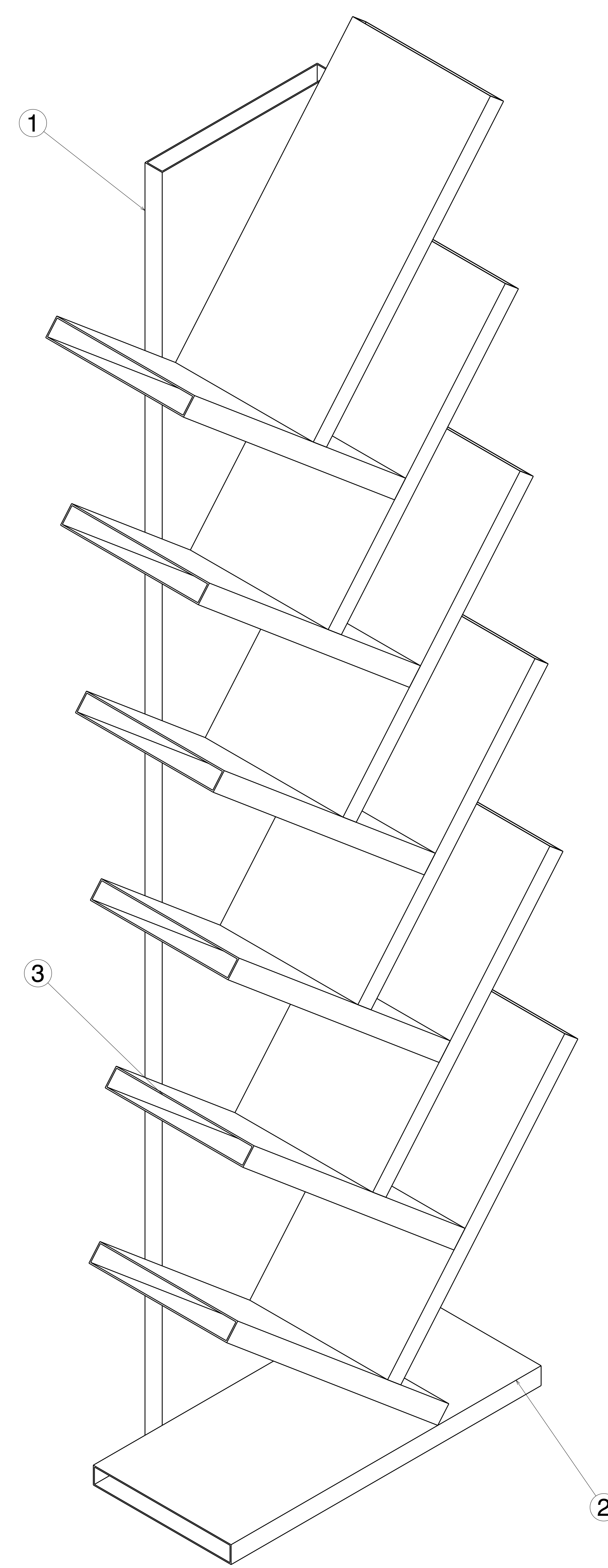
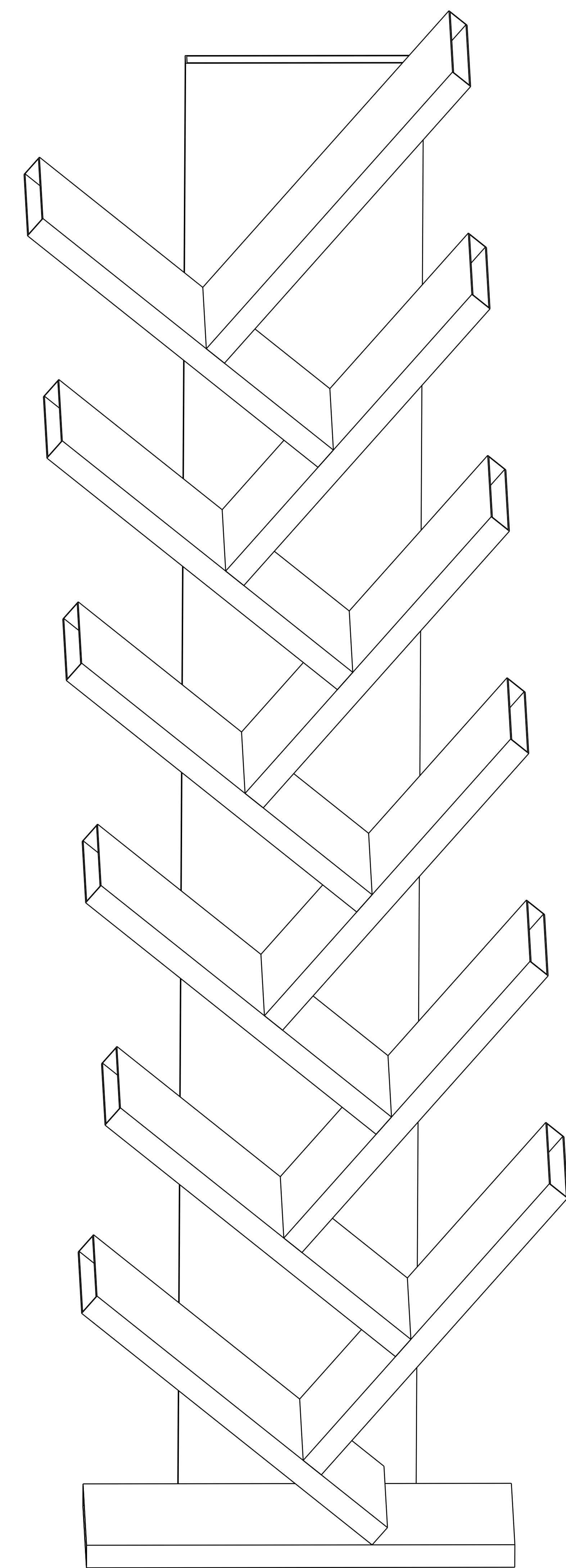


REV/DATE	DESCRIPTION
00 / 22FEB2021	INITIAL REVISION

- NOTES:
- (⊥) ALL VERTICAL SUPPORTS ARE PERPENDICULAR.
 - FLATNESS OF .5MM IS APPLIED BY DEFAULT.
 - ⊲ WELD BEAD OF 2MM RADIUS IS FOLLOWED.
 - ▽▽ SURFACE FINISH MEDIUM TO SMOOTH IS USED.
 - ALL TUBES ARE AS PER APL APOLLO STANDARD. CHANGES MAY EFFECT THE LOAD CAPACITY.
 - ALL HORIZONTAL AND VERTICAL TUBES ARE PERPENDICULAR TO EACH OTHER WITH ±1 DEG.
 - FINE WELDING IS REQUIRED AS PER MENTIONED DETAILS AND FINISHING.
 - HIGHER CURRENT WELDING MAY AFFECT THE BRITTLENESS OF MATERIAL WHICH LATER MAY RAISE TO WEAKENING OF STRUCTURE.
 - FABRICATORS ARE ALLOWED TO USE FITTINGS/FRAMES/SUPPORTS AS NEEDED AND THE SAME MUST BE COMMUNICATED BACK TO ENGINEERING TEAM.
 - BOP COMPONENT WEIGHTS ARE FOR REFERENCE ONLY AND SUBJECTED TO CHANGE PER PURCHASED COMPONENTS.




Isometric view 1

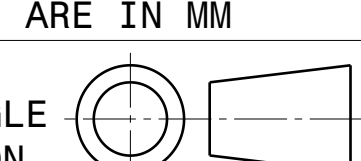


Isometric view 2

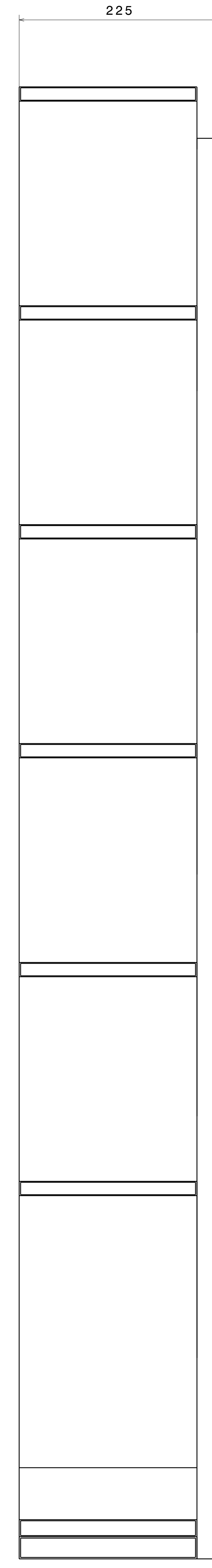
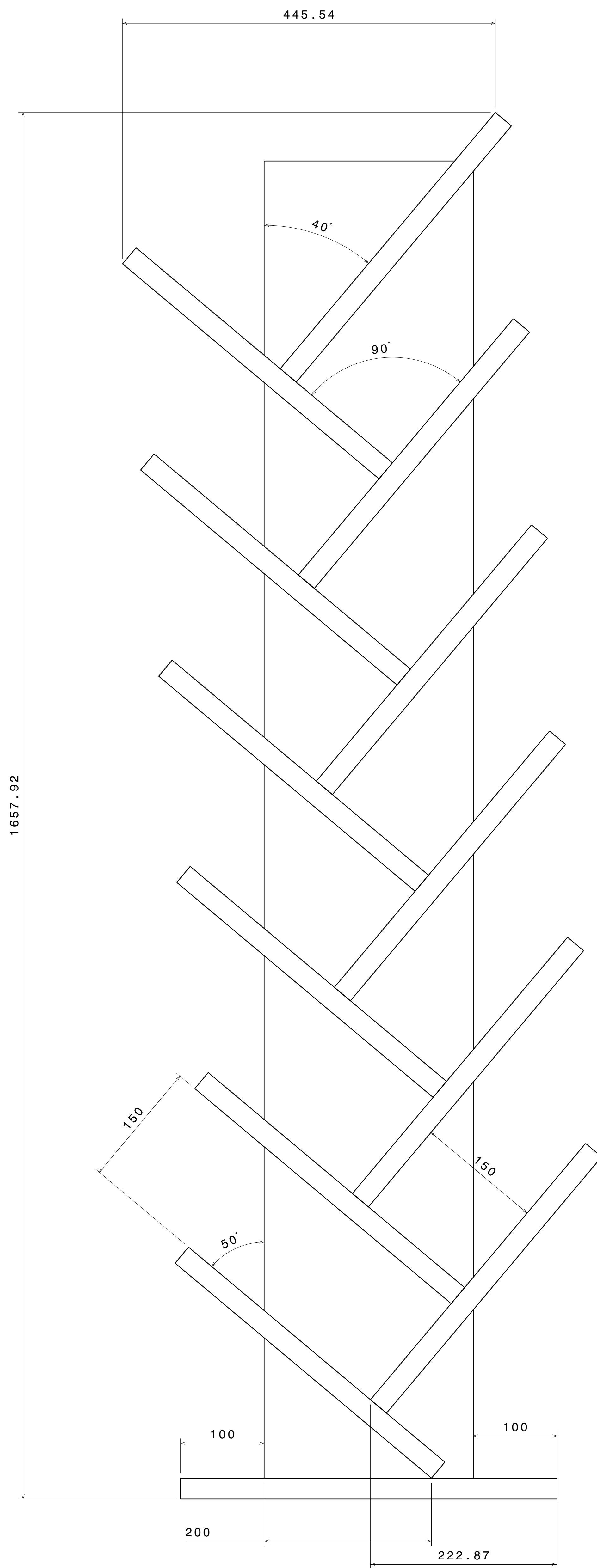
ITEM NO.	PART NUMBER	DESCRIPTION	QTY.	Wt (kg) /Each
3	PLANK 3	200 X 25 X 1.6 X 400	12	2.23
2	PLANK 2	200 X 25 X 1.6 X 450	1	2.51
1	PLANK 1	250 X 25 X 1.6 X 1600	1	10.94

This drawing is our property. It can't be reproduced or communicated without our written agreement.		APL APOLLO TUBES LTD. 	
DRAWN BY SB		DATE 22FEB2021	
CHECKED BY P2P Analysis & Solutions		DATE 22FEB2021	
DESIGNED BY P2P Analysis & Solutions		DATE 22FEB2021	
DRAWING TITLE BOOK SHELF		SIZE A0	DRAWING NUMBER P2P 21-04
SCALE As Indicated		WEIGHT (kg) 0kg	REV 00
		SHEET 1 OF 3	

UNLESS OTHERWISE SPECIFIED DIMENSION ARE IN MM
VIEWS: THIRD ANGLE PROJECTION



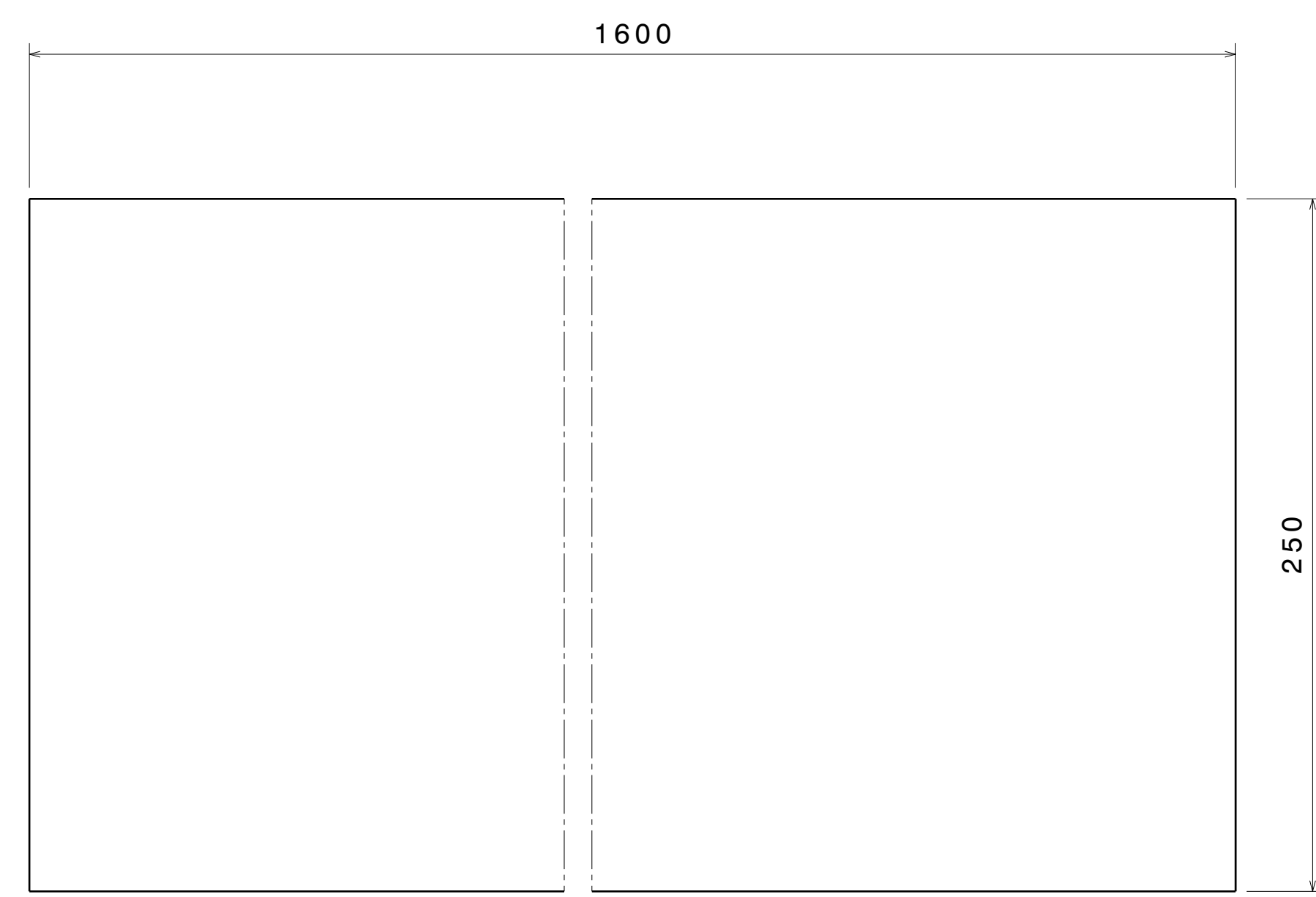
REV	DATE	DESCRIPTION
00	22FEB2021	INITIAL REVISION



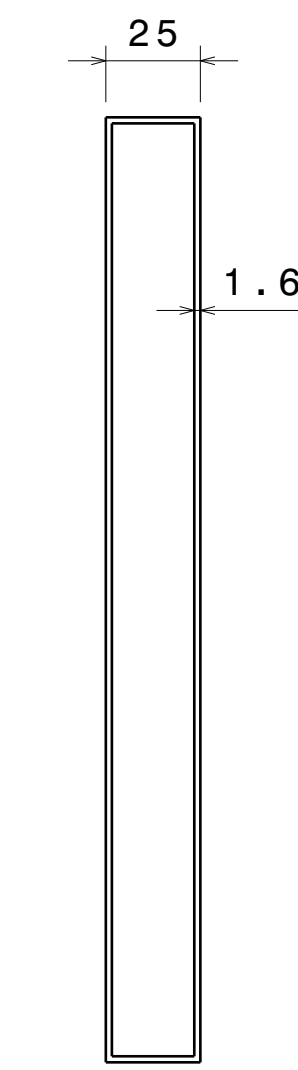
UNLESS OTHERWISE SPECIFIED DIMENSION ARE IN MM
VIEWS: THIRD ANGLE PROJECTION

This drawing is our property. It can't be reproduced or communicated without our written agreement.		APL APOLLO TUBES LTD.	
DRAWN BY SB		DRAWING TITLE BOOK SHELF	
CHECKED BY P2P Analysis & Solutions	DATE 22FEB2021	SIZE A0	REV 00
DESIGNED BY P2P Analysis & Solutions	DATE 22FEB2021	DRAWING NUMBER P2P_21-04	
SCALE NONE		WEIGHT (kg) XXX	SHEET 2 OF 3

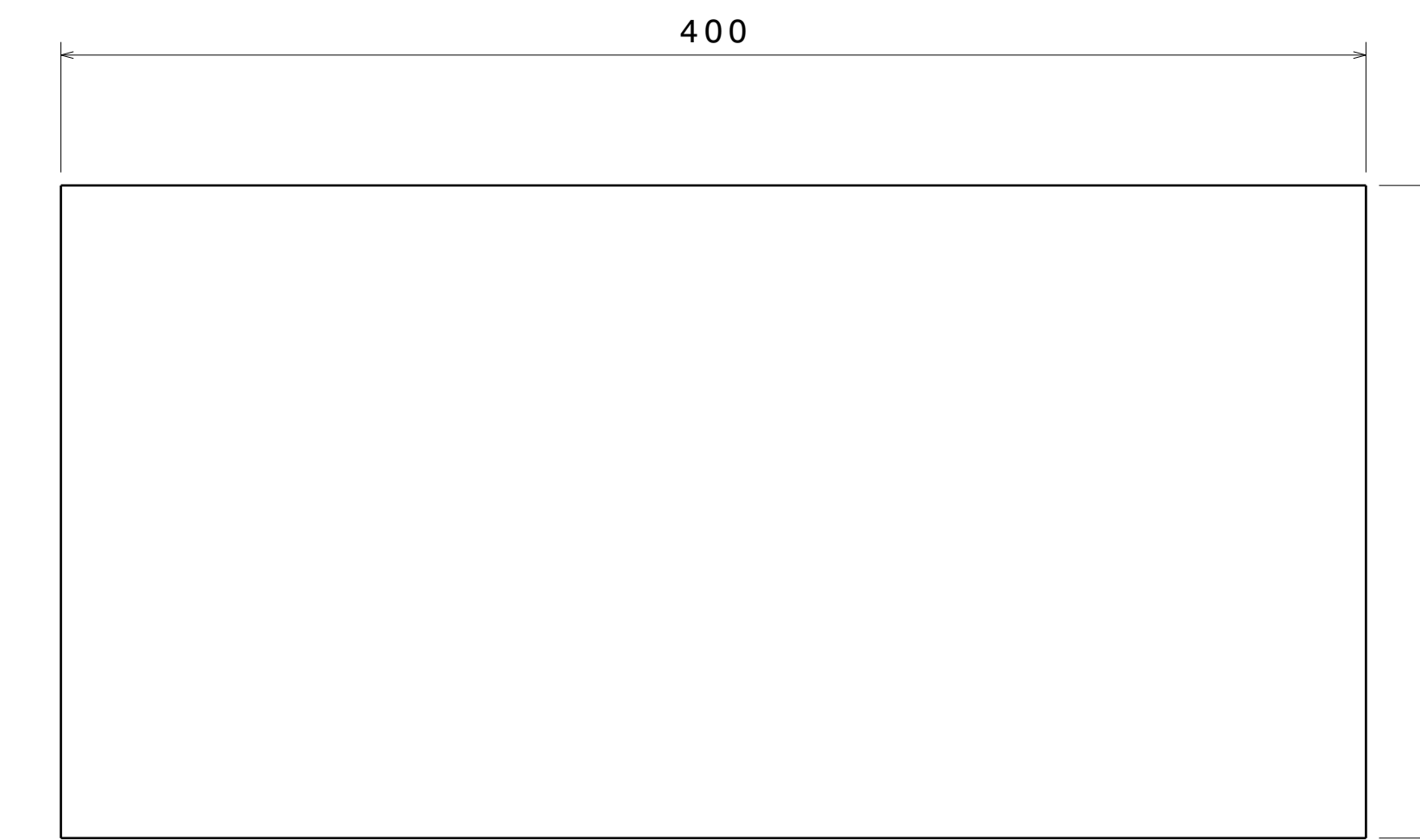
REV	DATE	DESCRIPTION
00	22FEB2021	INITIAL REVISION



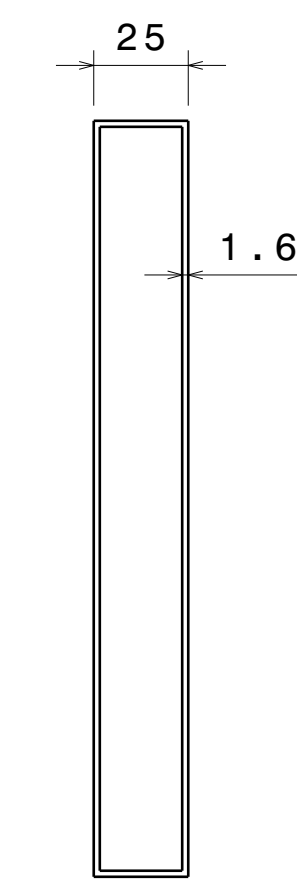
ITEM 1



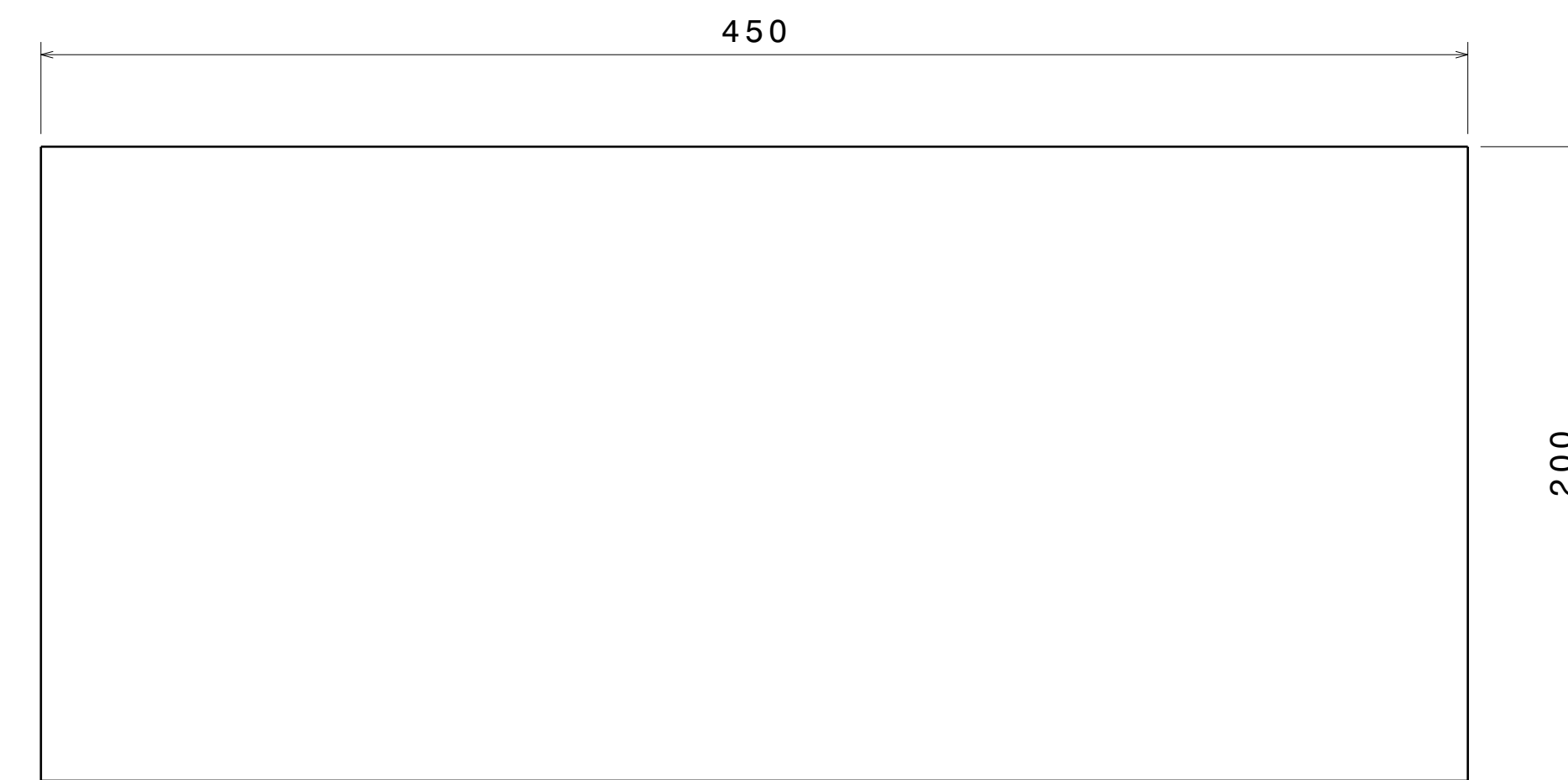
Right view
Scale: 1:2



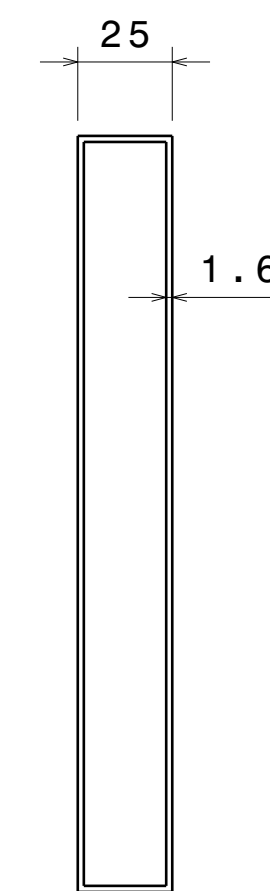
ITEM 3



Right view
Scale: 1:2



ITEM 2

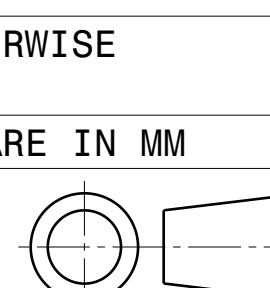


Right view
Scale: 1:2

This drawing is our property.
It can't be reproduced
or communicated without
our written agreement.

APL APOLLO TUBES LTD. 

UNLESS OTHERWISE
SPECIFIED
DIMENSION ARE IN MM
VIEWS:
THIRD ANGLE
PROJECTION



DRAWN BY	DATE
SB	22FEB2021
CHECKED BY	DATE
P2P Analysis & Solutions	22FEB2021
DESIGNED BY	DATE
P2P Analysis & Solutions	22FEB2021

DRAWING TITLE			
BOOK SHELF			
SIZE	DRAWING NUMBER	REV	
A0	P2P 21-04	00	
SCALE	NONE	WEIGHT (kg)	XXX
			SHEET 3 OF 3