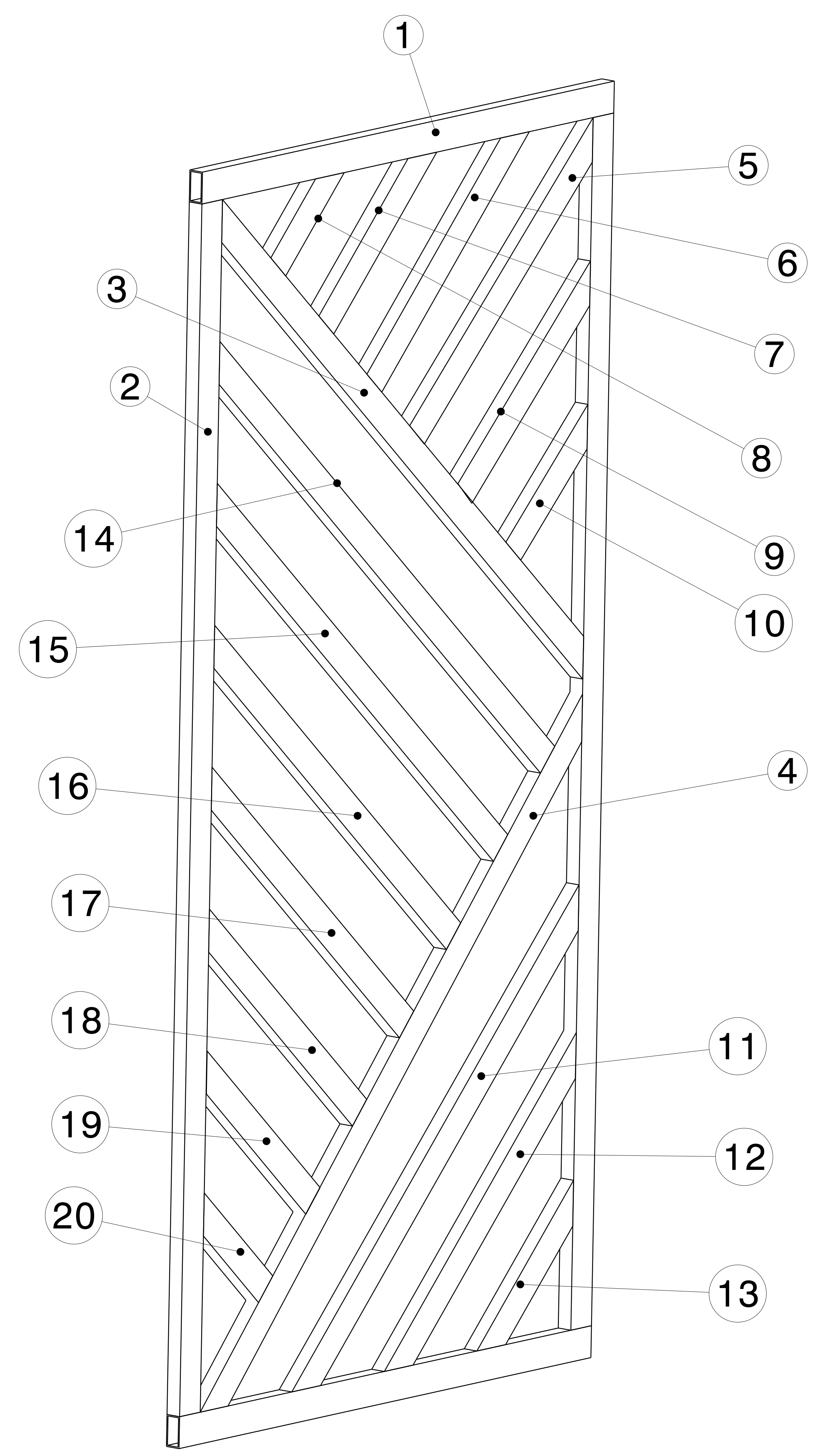


REV	DATE	DESCRIPTION
00	23FEB2021	INITIAL REVISION

- NOTES:
- (⊥) ALL VERTICAL SUPPORTS ARE PERPENDICULAR.
 - FLATNESS OF .5MM IS APPLIED BY DEFAULT.
 - ⊞ WELD BEAD OF 2MM RADIUS IS FOLLOWED.
 - ▽ SURFACE FINISH MEDIUM TO SMOOTH IS USED.
 - ALL TUBES ARE AS PER APL APOLLO STANDARD. CHANGES MAY EFFECT THE LOAD CAPACITY.
 - ALL HORIZONTAL AND VERTICAL TUBES ARE PERPENDICULAR TO EACH OTHER WITH ±1 DEG.
 - FINE WELDING IS REQUIRED AS PER MENTIONED DETAILS AND FINISHING.
 - HIGHER CURRENT WELDING MAY AFFECT THE BRITTLENESS OF MATERIAL WHICH LATER MAY RAISE TO WEAKENING OF STRUCTURE.
 - FABRICATORS ARE ALLOWED TO USE FITTINGS/FRAMES/SUPPORTS AS NEEDED AND THE SAME MUST BE COMMUNICATED BACK TO ENGINEERING TEAM.
 - BOP COMPONENT WEIGHTS ARE FOR REFERENCE ONLY AND SUBJECTED TO CHANGE PER PURCHASED COMPONENTS.



Isometric view
Scale: 1:4

ITEM NO.	PART NUMBER	DESCRIPTION	QTY.	Wt (Kg)/Each
20	RHS FRAME 20	50 X 25 X 2 X 231	1	0.45
19	RHS FRAME 19	50 X 25 X 2 X 380	1	0.80
18	RHS FRAME 18	50 X 25 X 2 X 530	1	1.10
17	RHS FRAME 17	50 X 25 X 2 X 680	1	1.50
16	RHS FRAME 16	50 X 25 X 2 X 826	1	1.80
15	RHS FRAME 15	50 X 25 X 2 X 976	1	2.15
14	RHS FRAME 14	50 X 25 X 2 X 1125	1	2.45
13	RHS FRAME 13	50 X 25 X 2 X 330	1	0.60
12	RHS FRAME 12	50 X 25 X 2 X 650	1	1.35
11	RHS FRAME 11	50 X 25 X 2 X 973	1	2.25
10	RHS FRAME 10	50 X 25 X 2 X 219	1	0.55
9	RHS FRAME 9	50 X 25 X 2 X 389	1	0.90
8	RHS FRAME 8	50 X 25 X 2 X 199	1	0.40
7	RHS FRAME 7	50 X 25 X 2 X 349	1	0.75
6	RHS FRAME 6	50 X 25 X 2 X 500	1	1.0
5	RHS FRAME 5	50 X 25 X 2 X 605	1	1.30
4	RHS FRAME 4	50 X 25 X 2 X 1345	1	2.90
3	RHS FRAME 3	50 X 25 X 2 X 1265	1	2.70
2	RHS FRAME 2	50 X 25 X 2 X 1900	2	4.25
1	RHS FRAME 1	50 X 25 X 2 X 1000	2	2.25

This drawing is our property. It can't be reproduced or communicated without our written agreement.

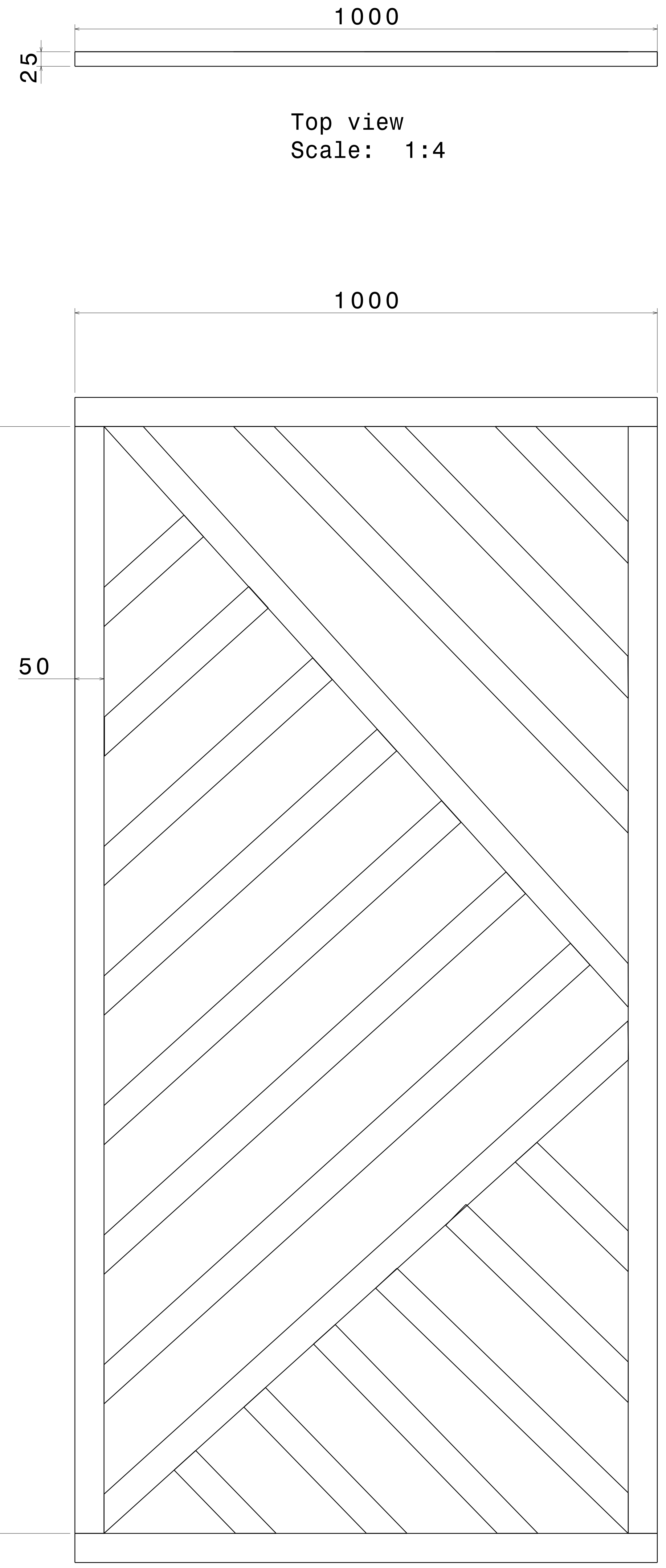
APL APOLLO TUBES LTD.

DRAWING TITLE: **GATE**

DRAWN BY: RR	DATE: 23FEB2021	SIZE: A0	DRAWING NUMBER: P2P FEB 21-14	REV: 00
CHECKED BY: P2P Analysis & Solutions	DATE: 23FEB2021	SCALE: As Indicated	WEIGHT (kg): 0kg	SHEET 1 OF 3
DESIGNED BY: P2P Analysis & Solutions	DATE: 23FEB2021			

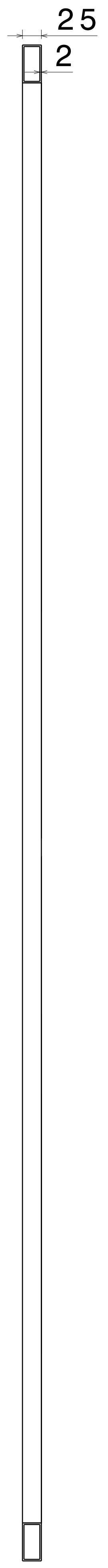
UNLESS OTHERWISE SPECIFIED DIMENSION ARE IN MM
VIEWS: THIRD ANGLE PROJECTION

REV	DATE	DESCRIPTION
00	23FEB2021	INITIAL REVISION



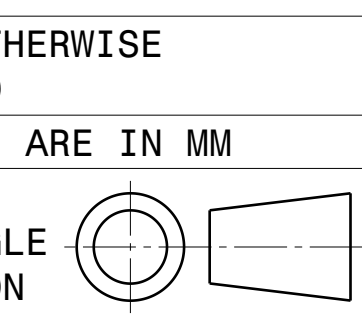
Top view
Scale: 1:4


Front view
Scale: 1:4



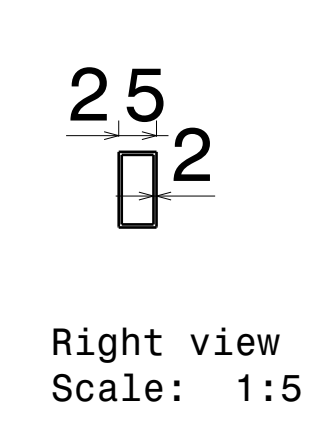
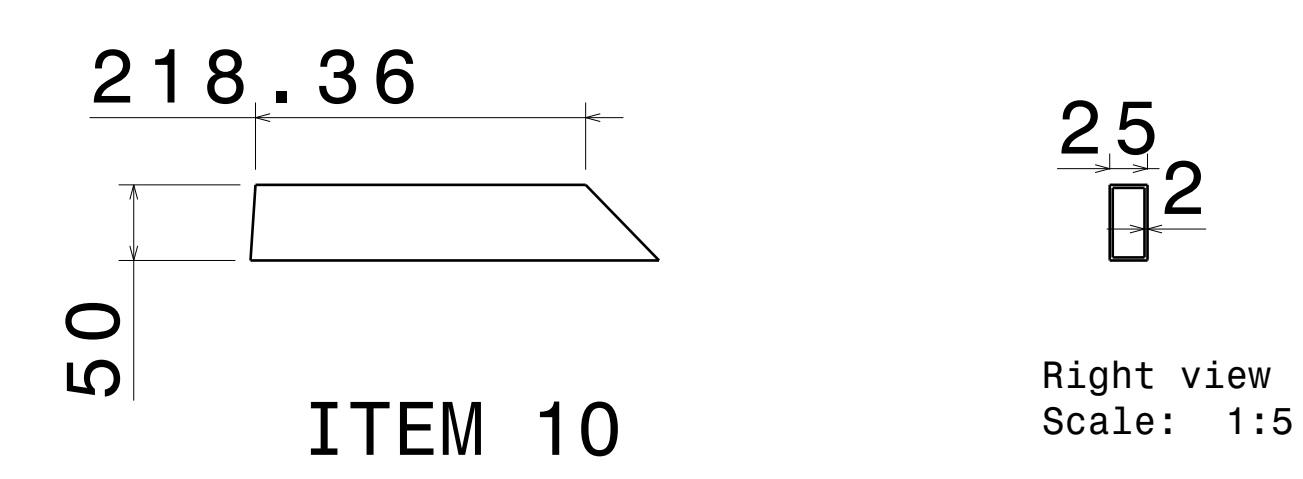
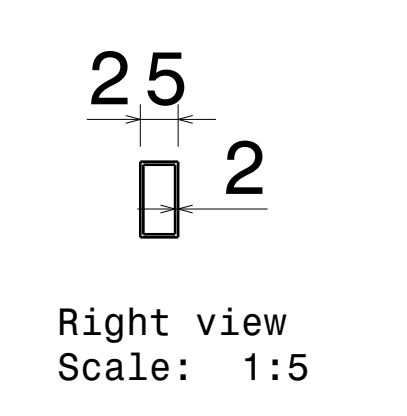
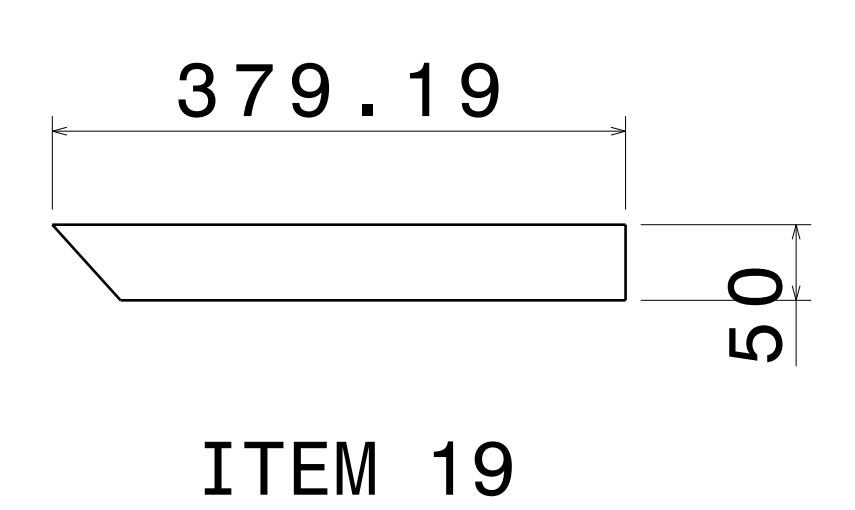
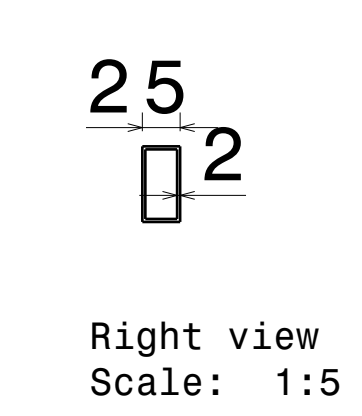
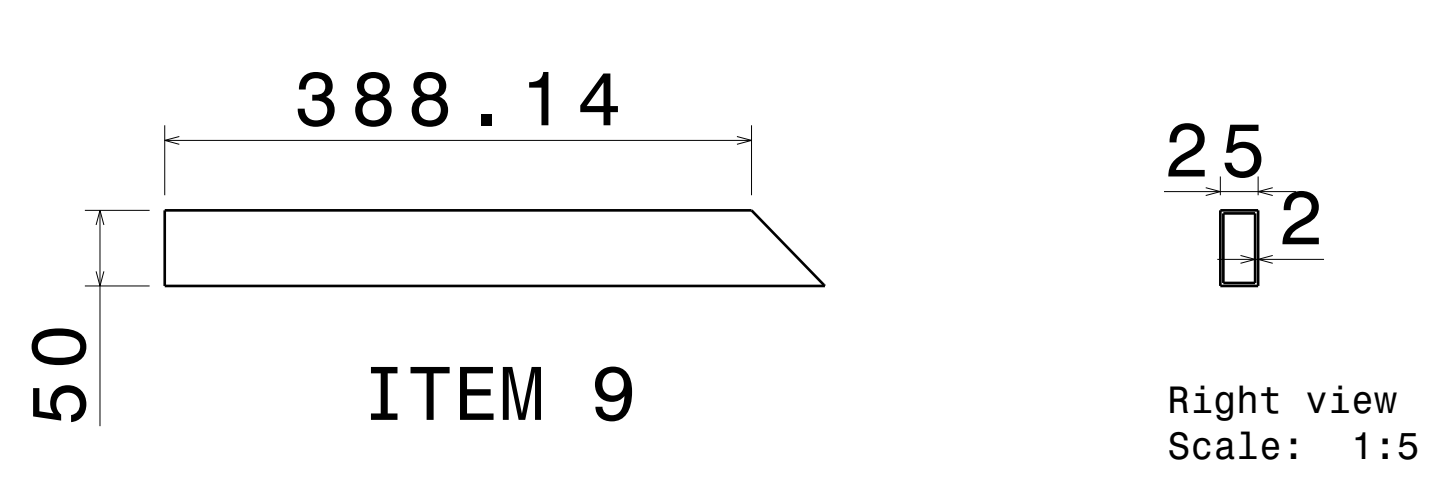
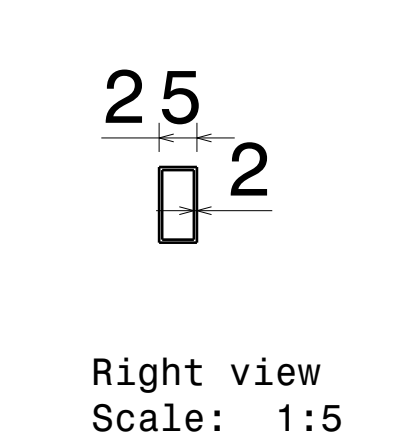
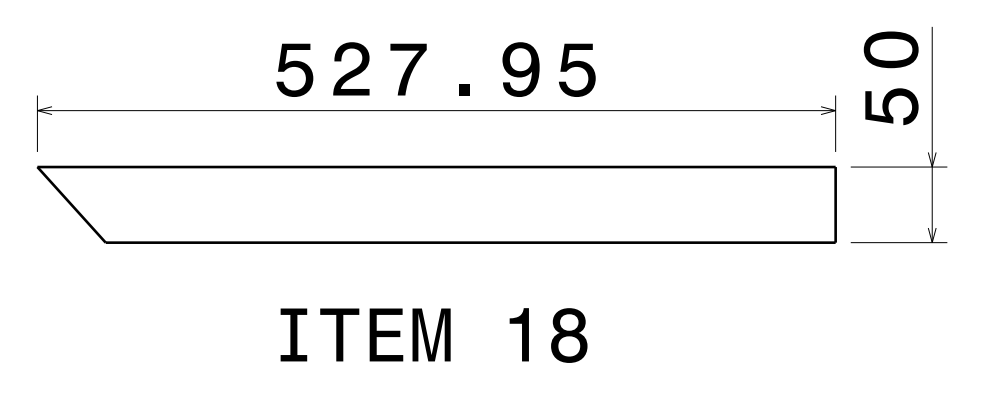
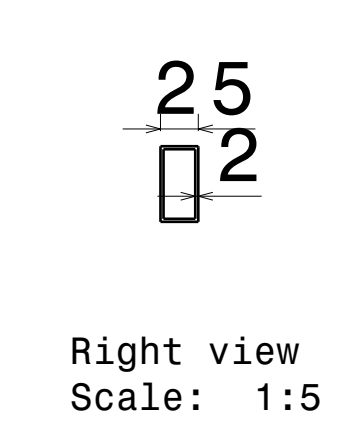
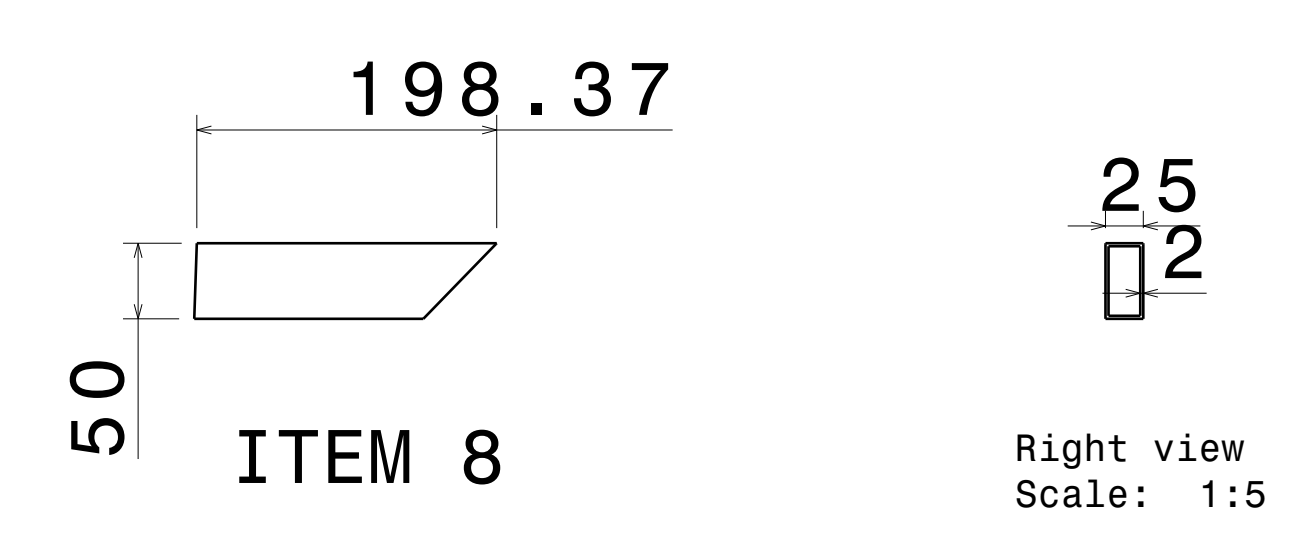
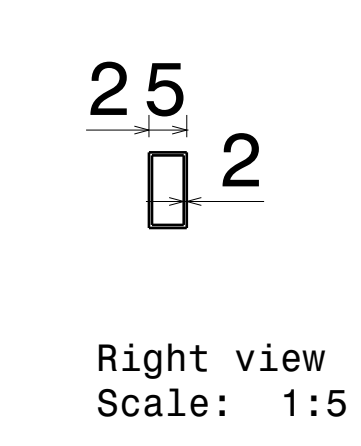
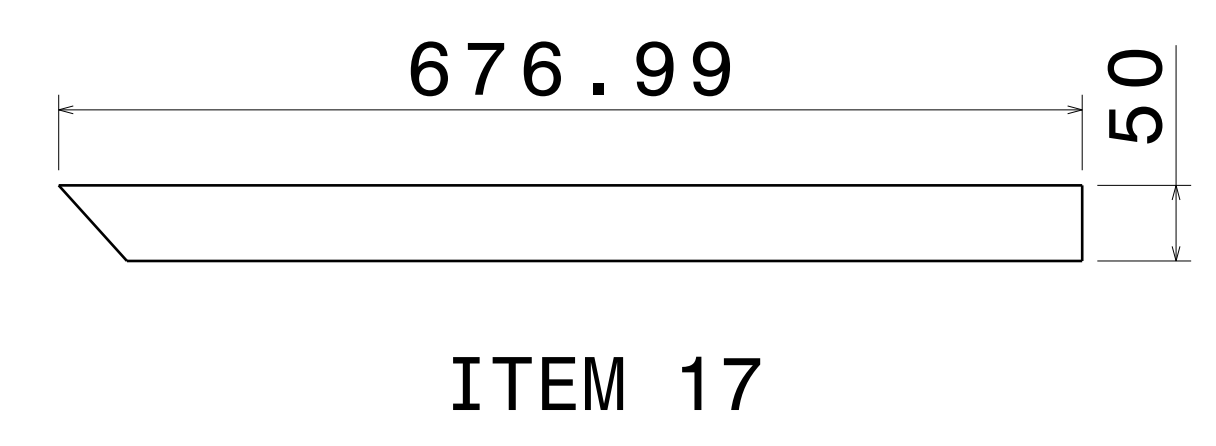
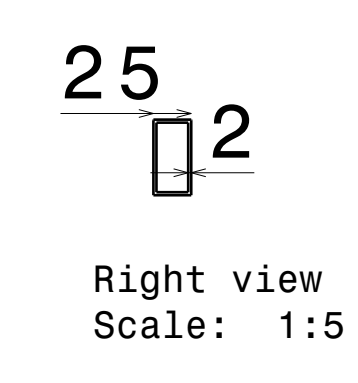
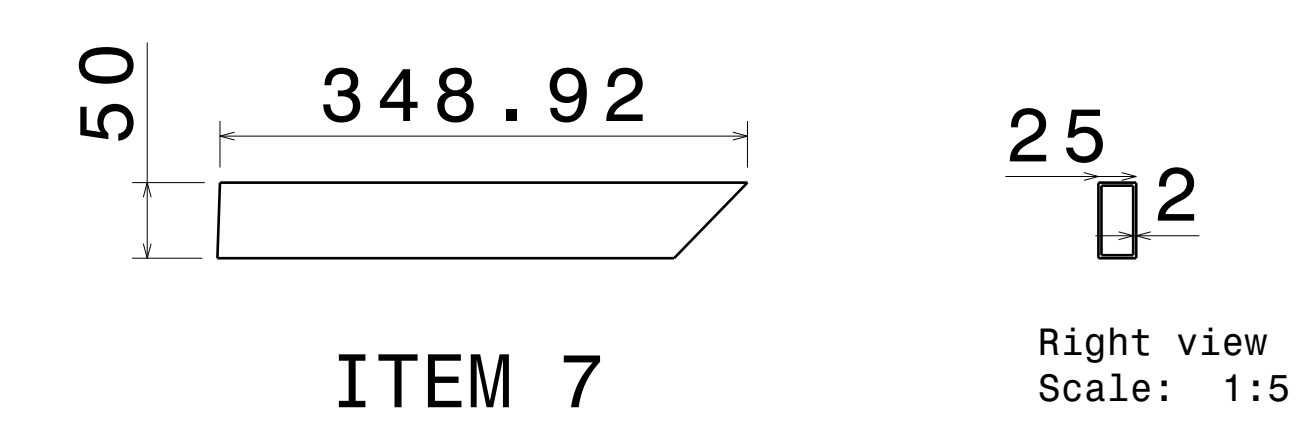
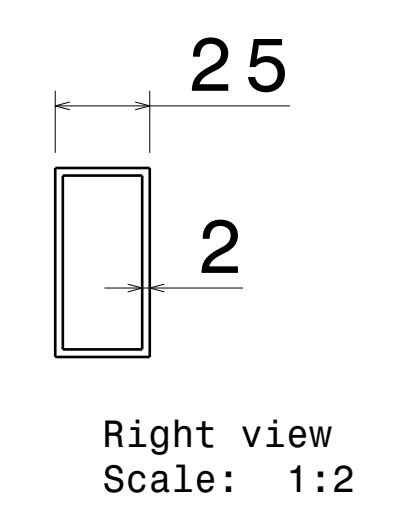
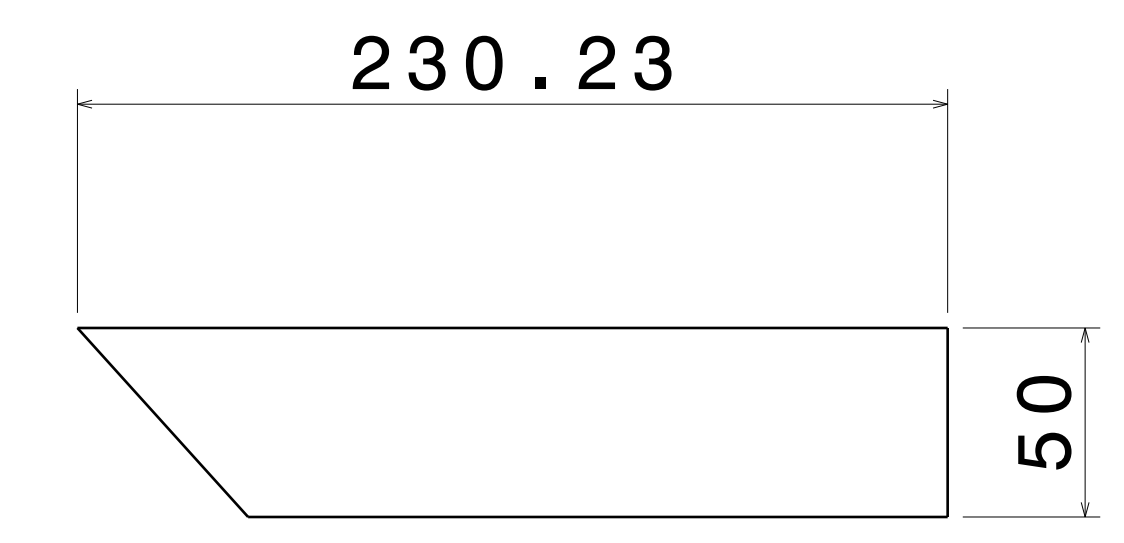
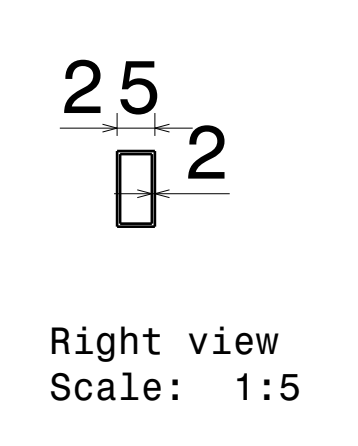
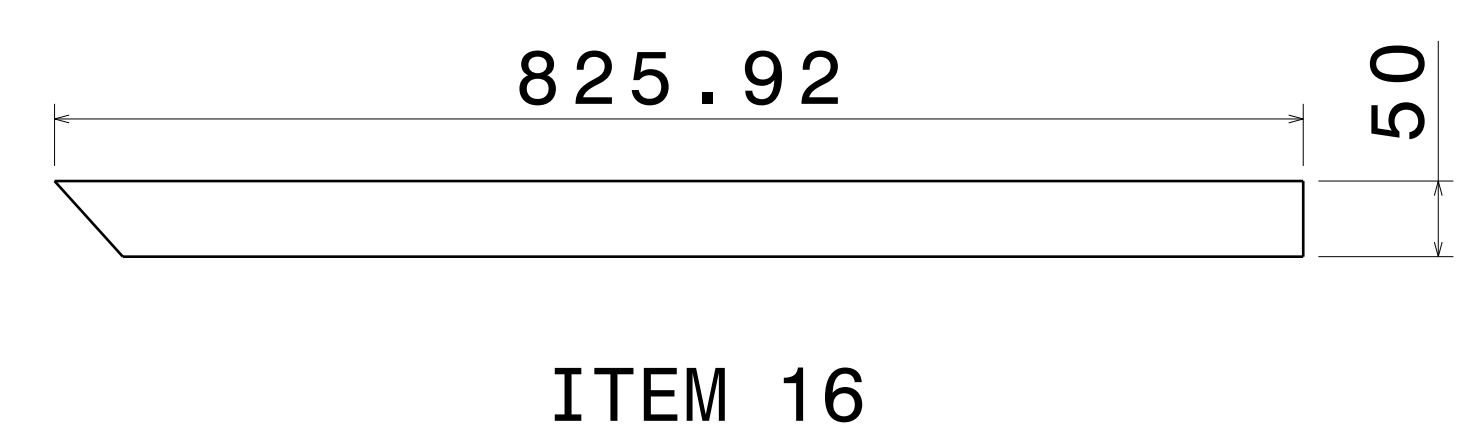
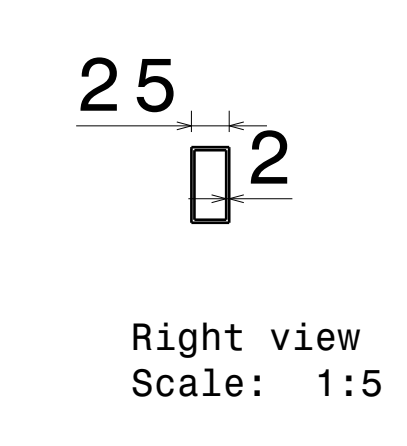
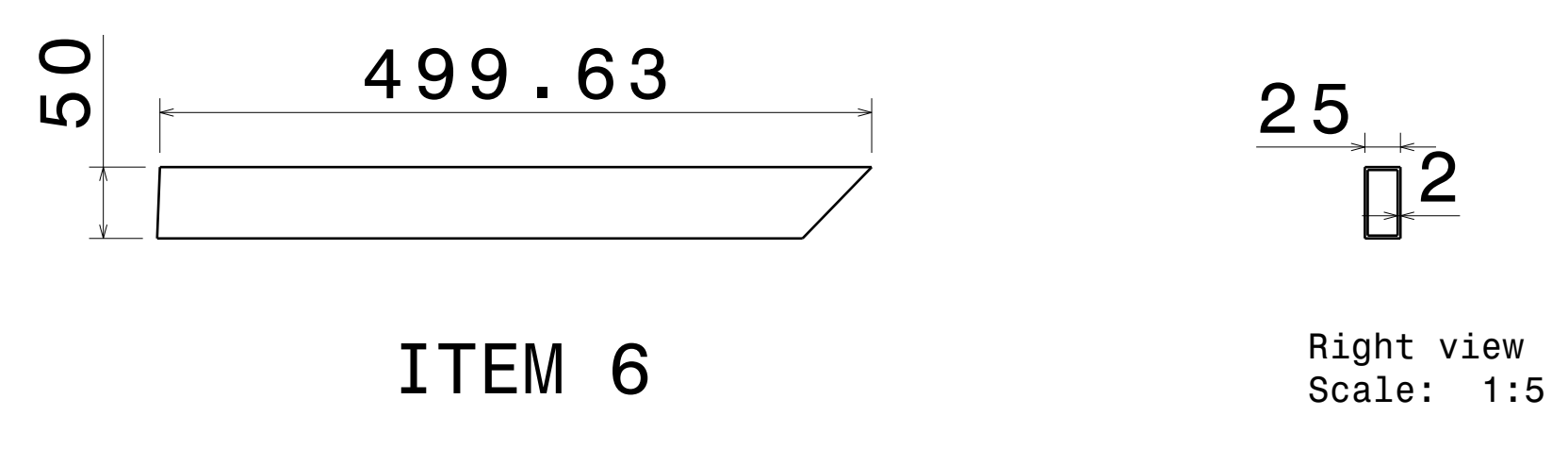
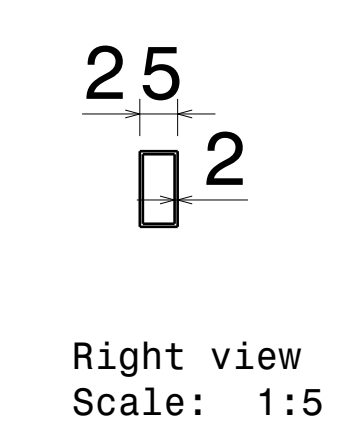
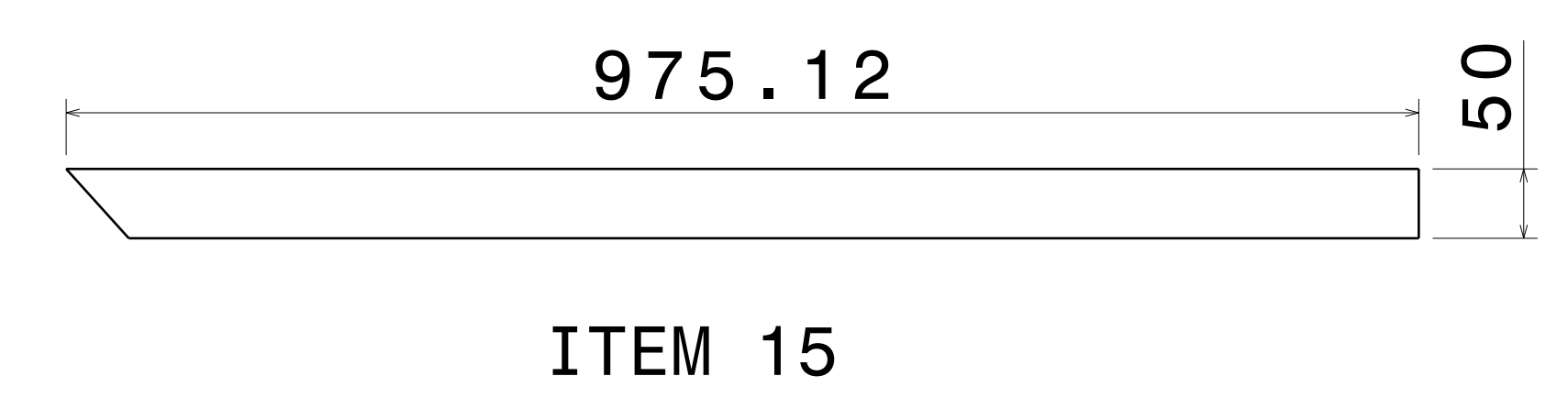
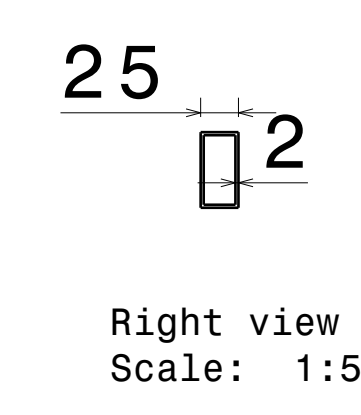
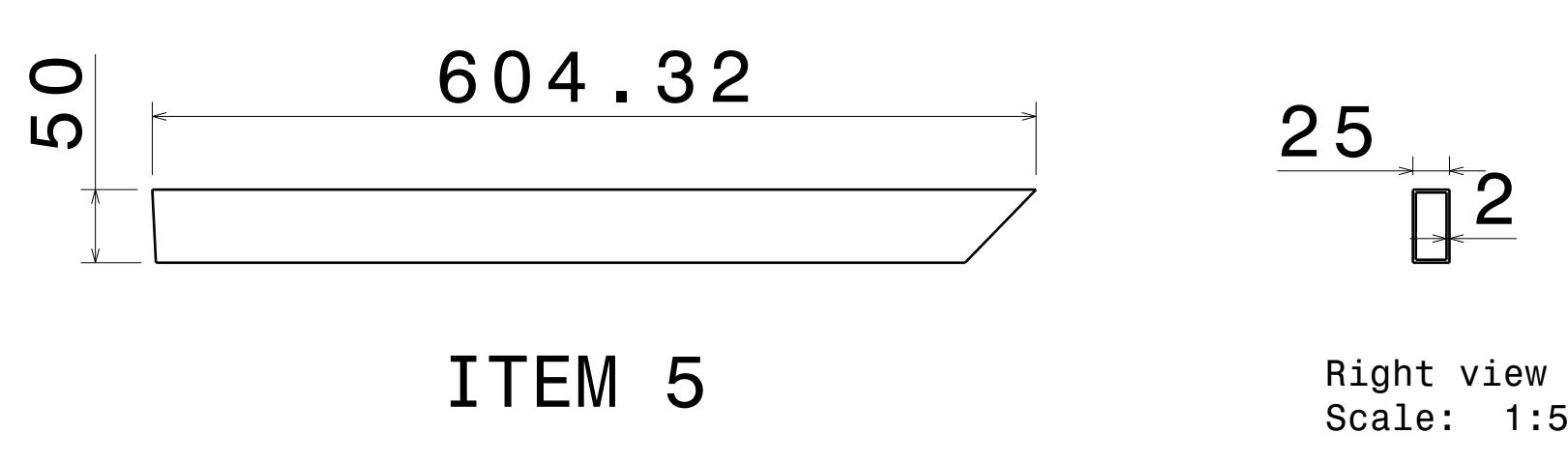
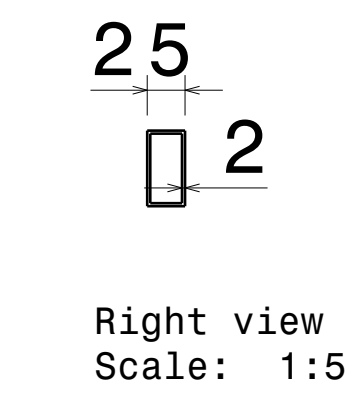
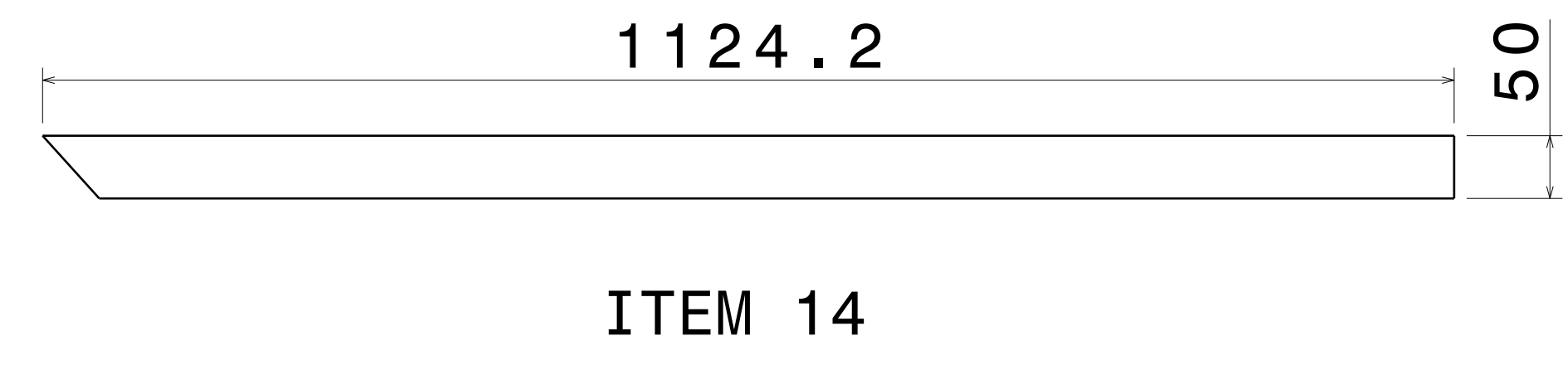
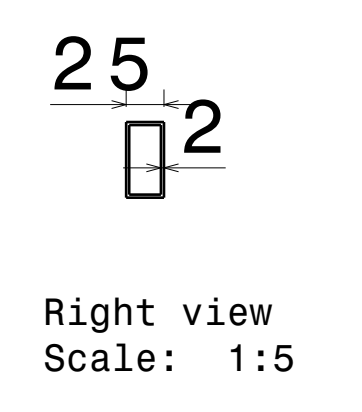
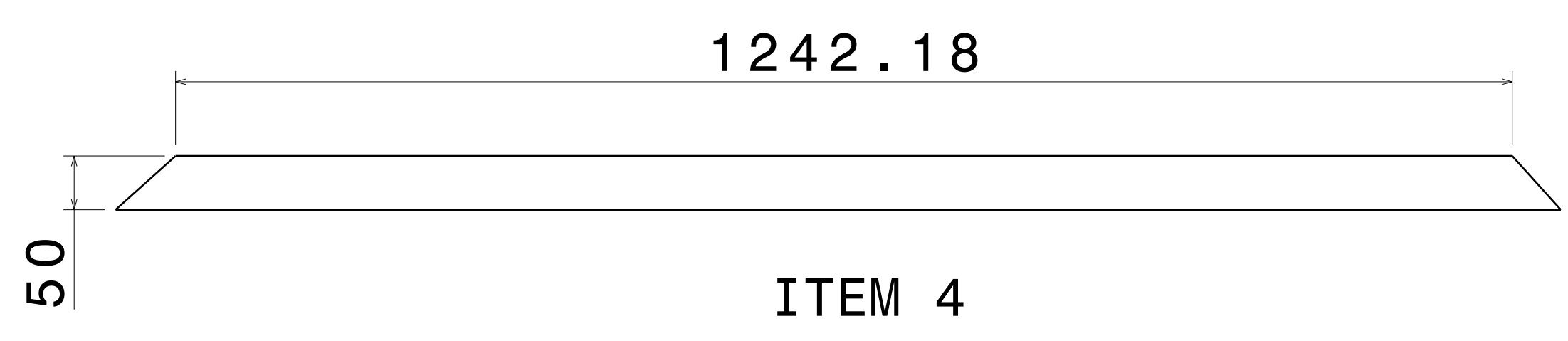
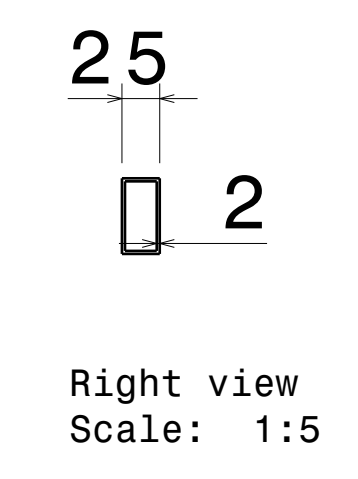
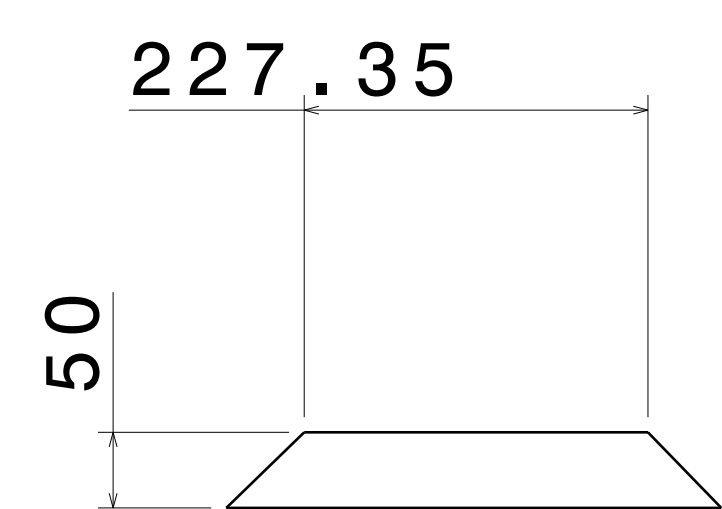
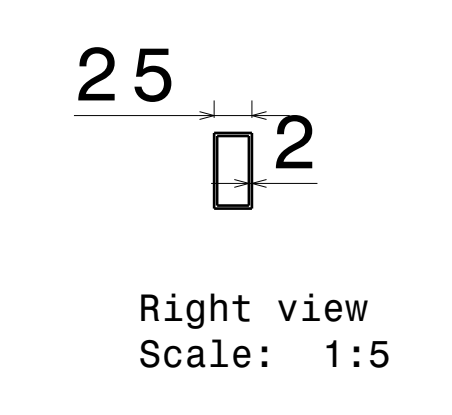
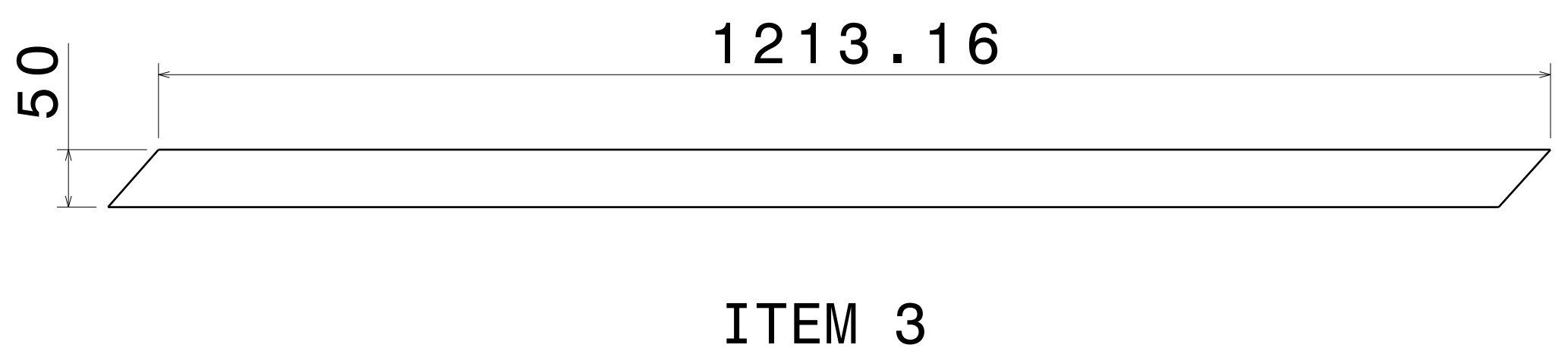
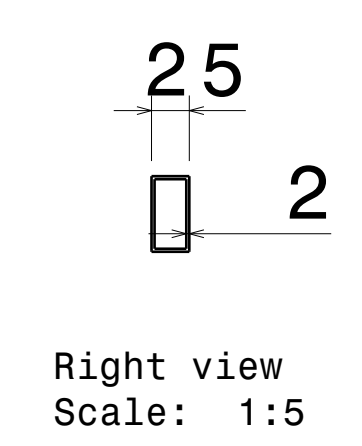
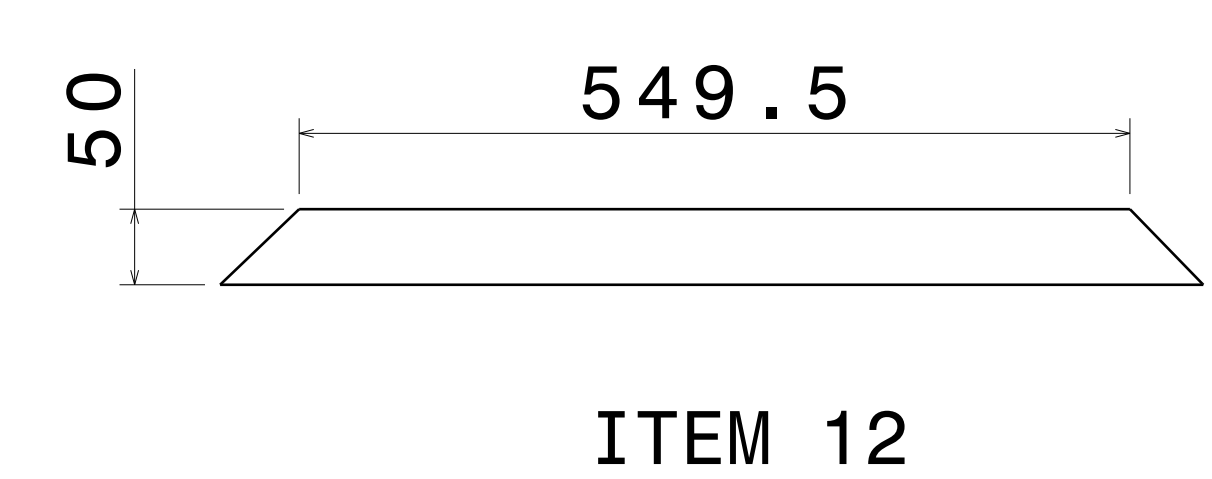
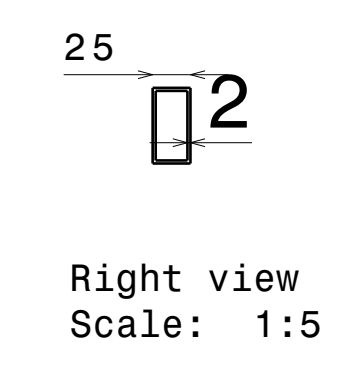
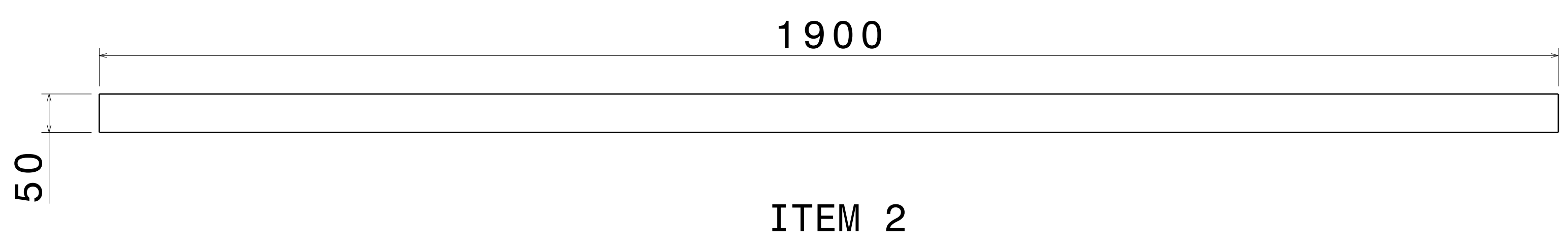
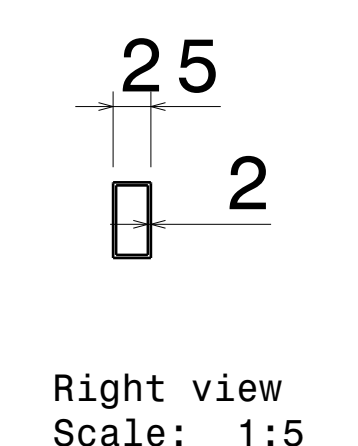
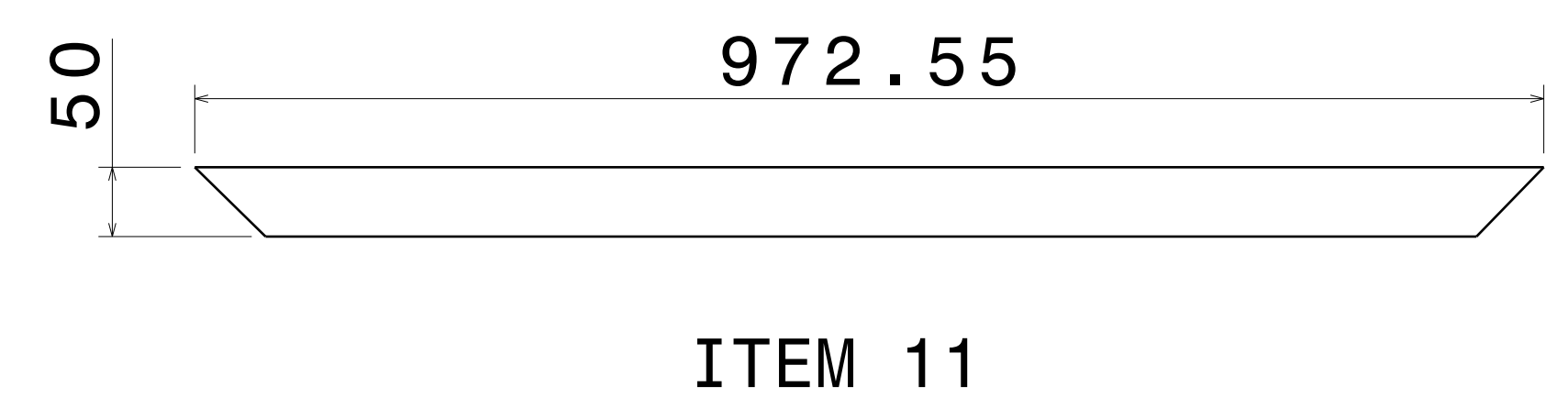
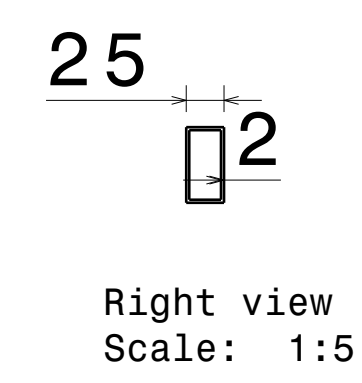
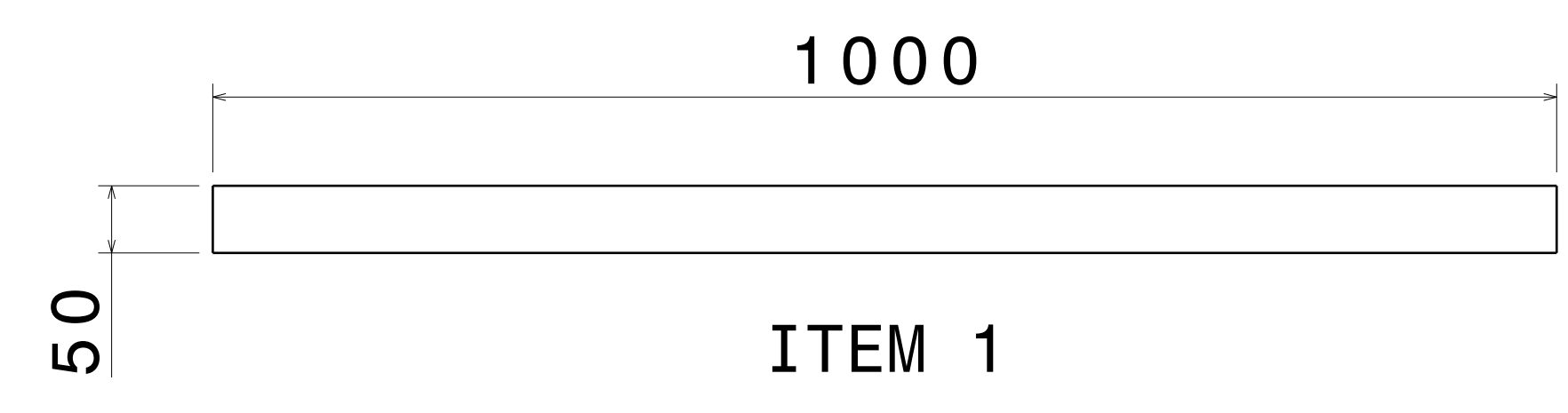
Right view
Scale: 1:4

UNLESS OTHERWISE SPECIFIED DIMENSION ARE IN MM
VIEWS: THIRD ANGLE PROJECTION



This drawing is our property. It can't be reproduced or communicated without our written agreement.		APL APOLLO TUBES LTD. 	
DRAWN BY SB		DATE 23FEB2021	
CHECKED BY P2P Analysis & Solutions		DATE 23FEB2021	
DESIGNED BY P2P Analysis & Solutions		DATE 23FEB2021	
SIZE A0	DRAWING NUMBER P2P FEB 21-14		REV 00
SCALE NONE	WEIGHT (kg)	XXX	SHEET 2 OF 3

REV	DATE	DESCRIPTION
00	23FEB2021	INITIAL REVISION



UNLESS OTHERWISE SPECIFIED DIMENSION ARE IN MM
VIEWS: THIRD ANGLE PROJECTION

This drawing is our property. It can't be reproduced or communicated without our written agreement.

DRAWN BY: SB
CHECKED BY: P2P Analysis & Solutions
DESIGNED BY: P2P Analysis & Solutions

DATE: 23FEB2021
DATE: 23FEB2021
DATE: 23FEB2021

APL APOLLO TUBES LTD.	
DRAWING TITLE: GATE	
SIZE: A0	DRAWING NUMBER: P2P FEB 21-14
SCALE: NONE	WEIGHT (kg): XXX
SHEET 3 OF 3	