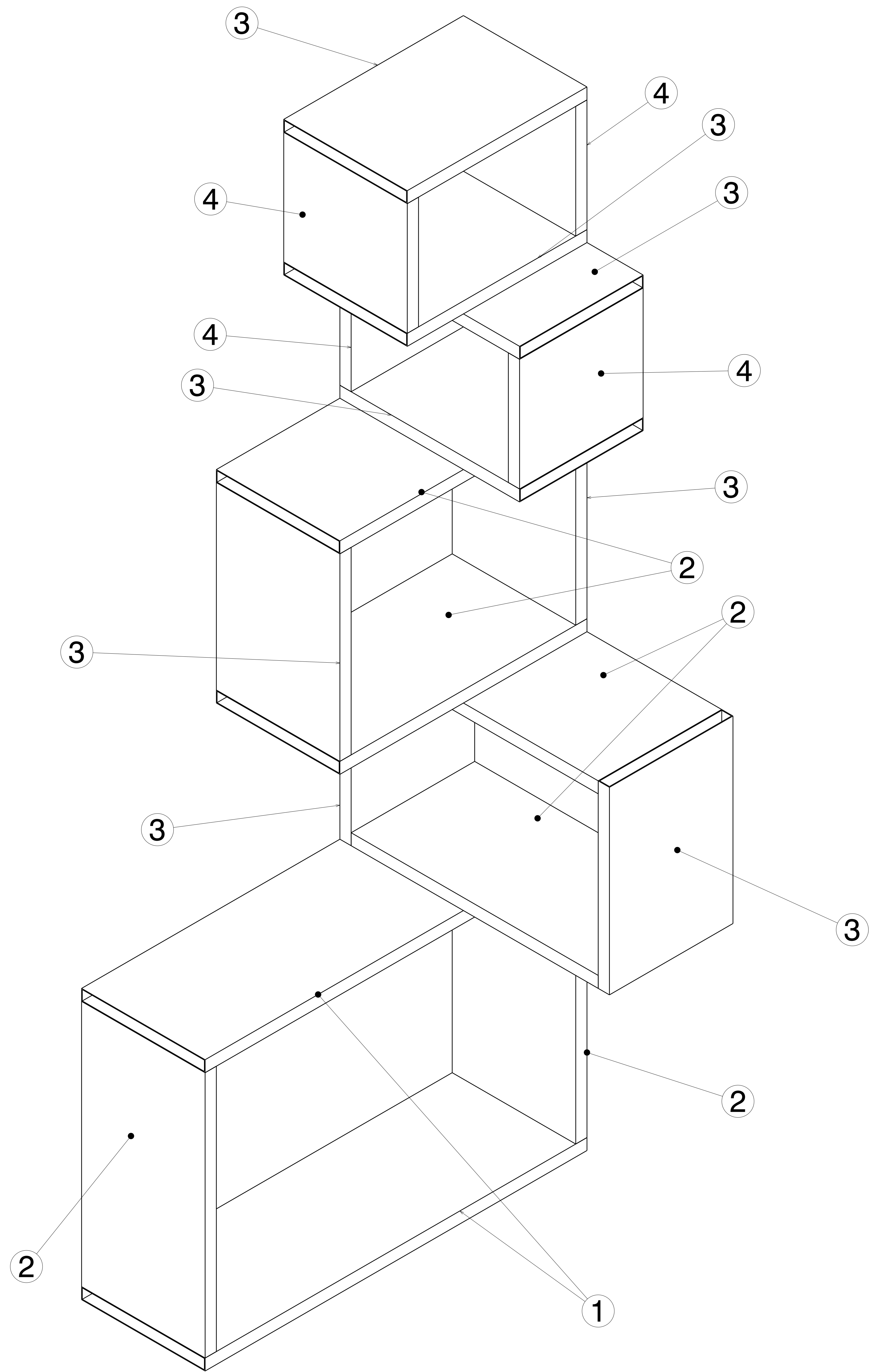


REV	DATE	DESCRIPTION
00	24FEB2021	INITIAL REVISION

- NOTES:
- (⊥) ALL VERTICAL SUPPORTS ARE PERPENDICULAR.
 - FLATNESS OF .5MM IS APPLIED BY DEFAULT.
 - ⊲ WELD BEAD OF 2MM RADIUS IS FOLLOWED.
 - ▽ SURFACE FINISH MEDIUM TO SMOOTH IS USED.
 - ALL TUBES ARE AS PER APL APOLLO STANDARD. CHANGES MAY EFFECT THE LOAD CAPACITY.
 - ALL HORIZONTAL AND VERTICAL TUBES ARE PERPENDICULAR TO EACH OTHER WITH ±1 DEG.
 - FINE WELDING IS REQUIRED AS PER MENTIONED DETAILS AND FINISHING.
 - HIGHER CURRENT WELDING MAY AFFECT THE BRITTLENESS OF MATERIAL WHICH LATER MAY RAISE TO WEAKENING OF STRUCTURE.
 - FABRICATORS ARE ALLOWED TO USE FITTINGS/FRAMES/SUPPORTS AS NEEDED AND THE SAME MUST BE COMMUNICATED BACK TO ENGINEERING TEAM.
 - BOP COMPONENT WEIGHTS ARE FOR REFERENCE ONLY AND SUBJECTED TO CHANGE PER PURCHASED COMPONENTS.



Isometric view

ITEM NO.	PART NUMBER	DESCRIPTION	QTY.	Wt (Kg)/Each
4	PLANK 4	275 X 25 X 1.6 X 250	4	1.9
3	PLANK 3	275 X 25 X 1.6 X 400	8	3
2	PLANK 2	275 X 25 X 1.6 X 550	6	4.1
1	PLANK 1	275 X 25 X 1.6 X 850	2	6.35

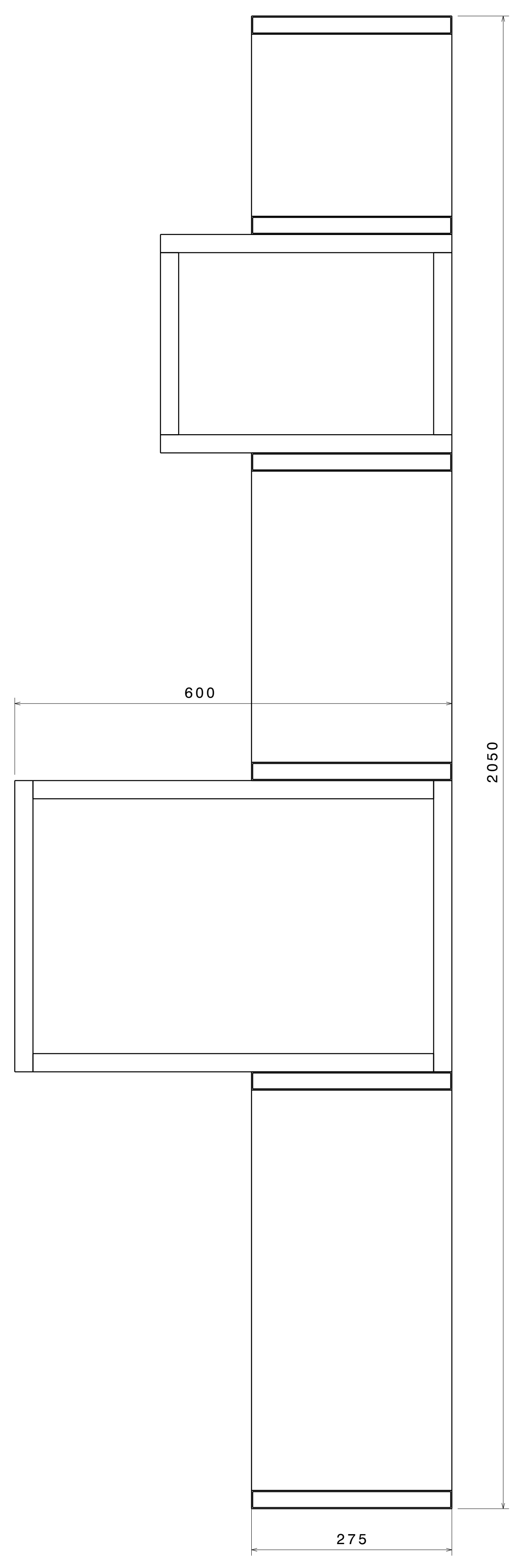
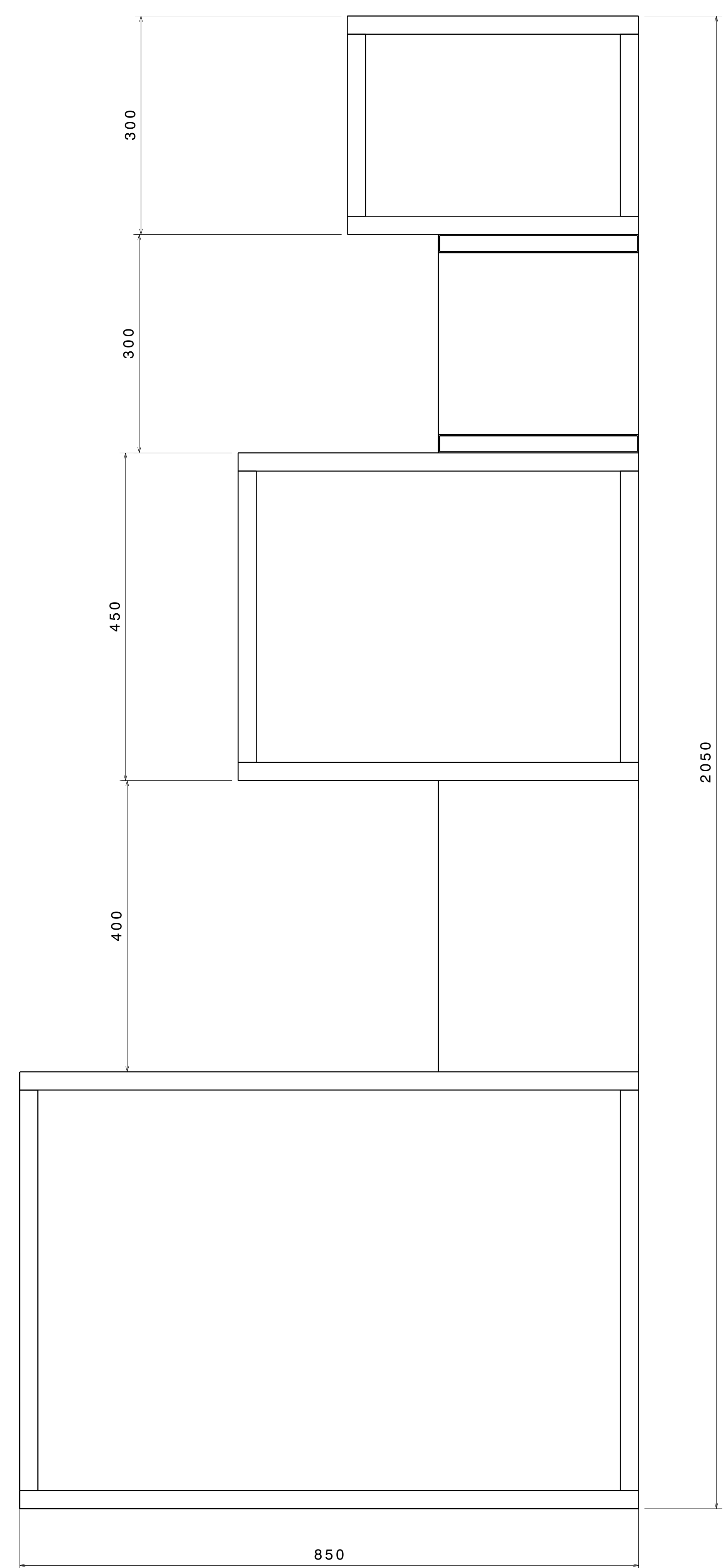
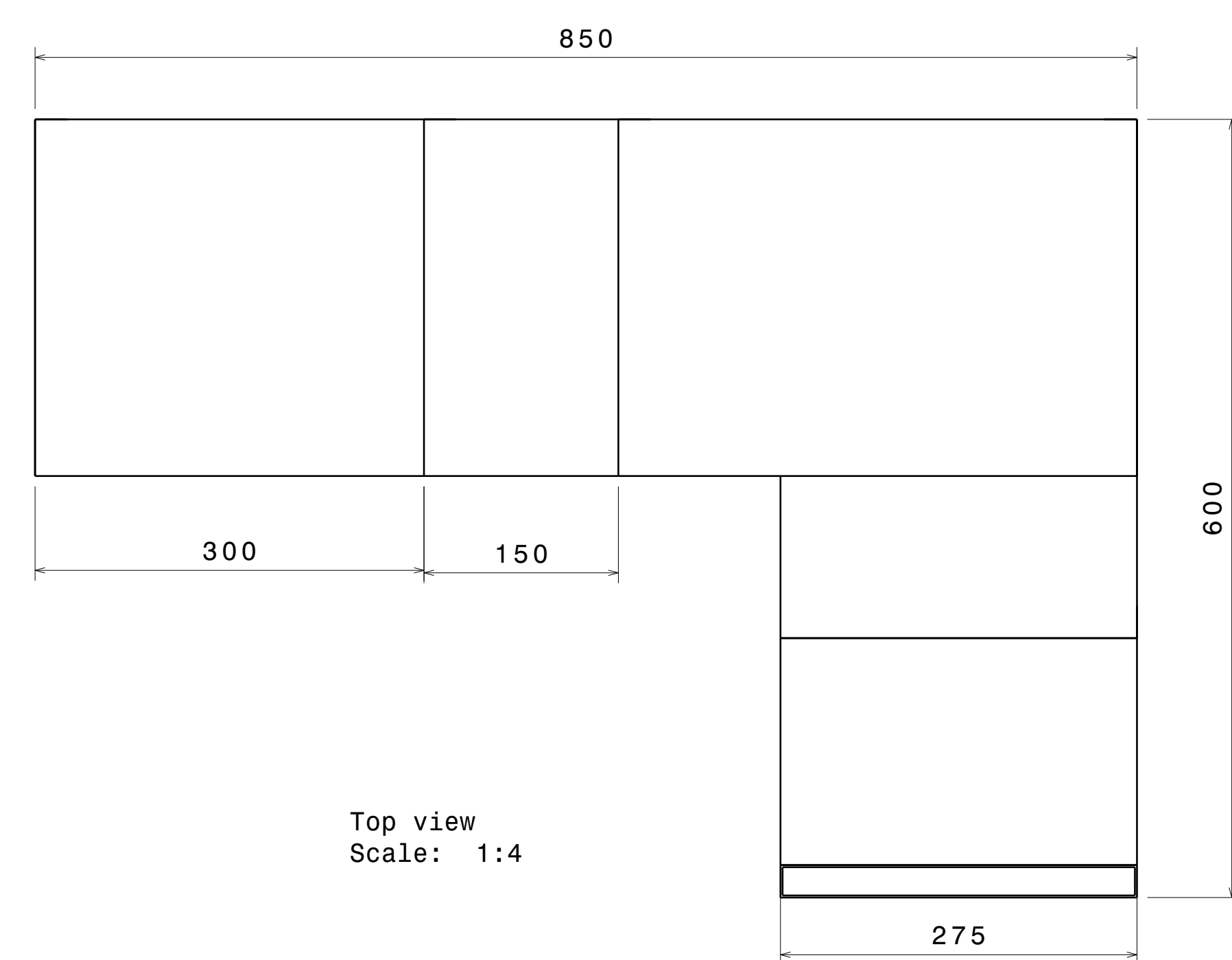
DRAWN BY SB		DATE 24FEB2021	DRAWING TITLE FEB 21-17	
CHECKED BY P2P Analysis & Solutions	DATE 24FEB2021	SIZE A0	DRAWING NUMBER P2P FEB 21-17	REV 00
DESIGNED BY P2P Analysis & Solutions	DATE 24FEB2021	SCALE As Indicated	WEIGHT (kg) 0kg	SHEET 1 OF 3

UNLESS OTHERWISE SPECIFIED DIMENSION ARE IN MM VIEWS: THIRD ANGLE PROJECTION

This drawing is our property. It can't be reproduced or communicated without our written agreement.

APL APOLLO TUBES LTD.

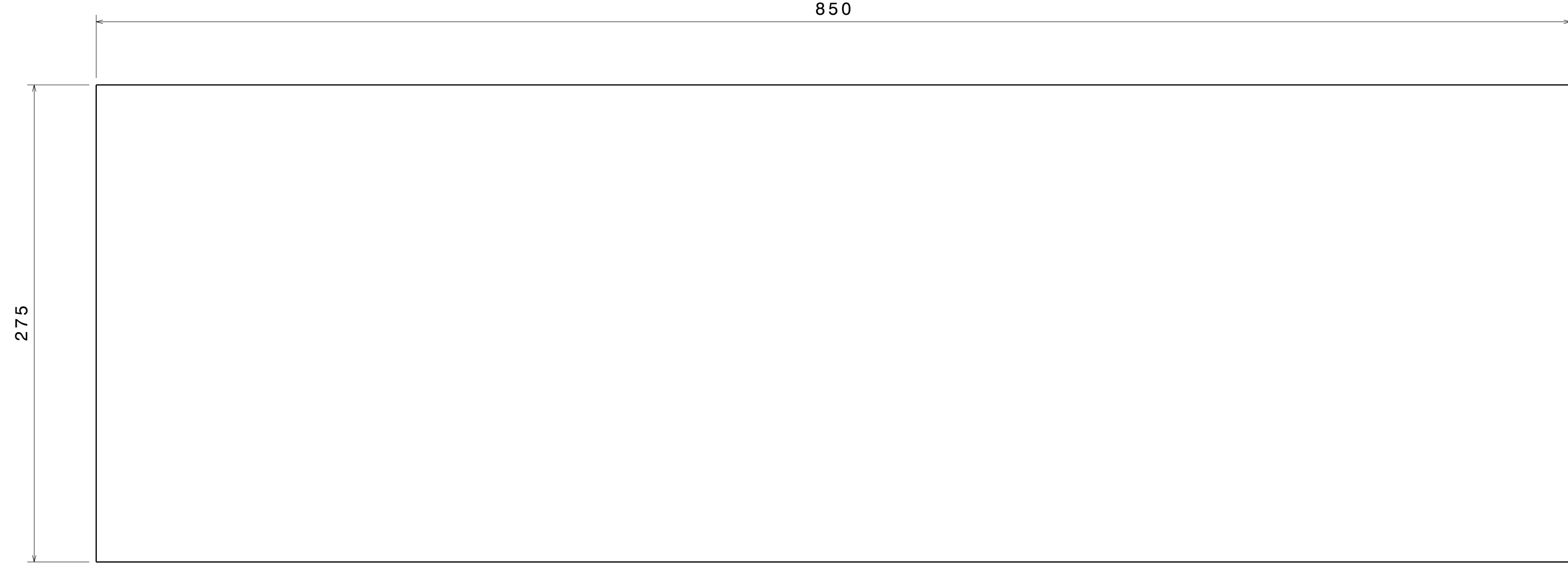
REV	DATE	DESCRIPTION
00	24FEB2021	INITIAL REVISION



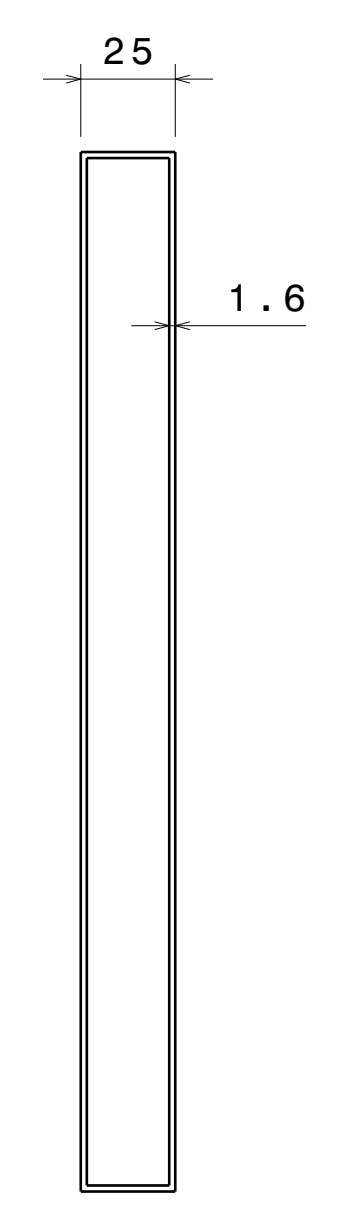
UNLESS OTHERWISE SPECIFIED DIMENSION ARE IN MM
VIEWS: THIRD ANGLE PROJECTION

This drawing is our property. It can't be reproduced or communicated without our written agreement.		APL APOLLO TUBES LTD.	
DRAWN BY SB		DATE 24FEB2021	
CHECKED BY P2P Analysis & Solutions		DATE 24FEB2021	
DESIGNED BY P2P Analysis & Solutions		DATE 24FEB2021	
SIZE A0	DRAWING NUMBER P2P FEB 21-17		REV 00
SCALE NONE	WEIGHT (kg)	XXX	SHEET 2 OF 3

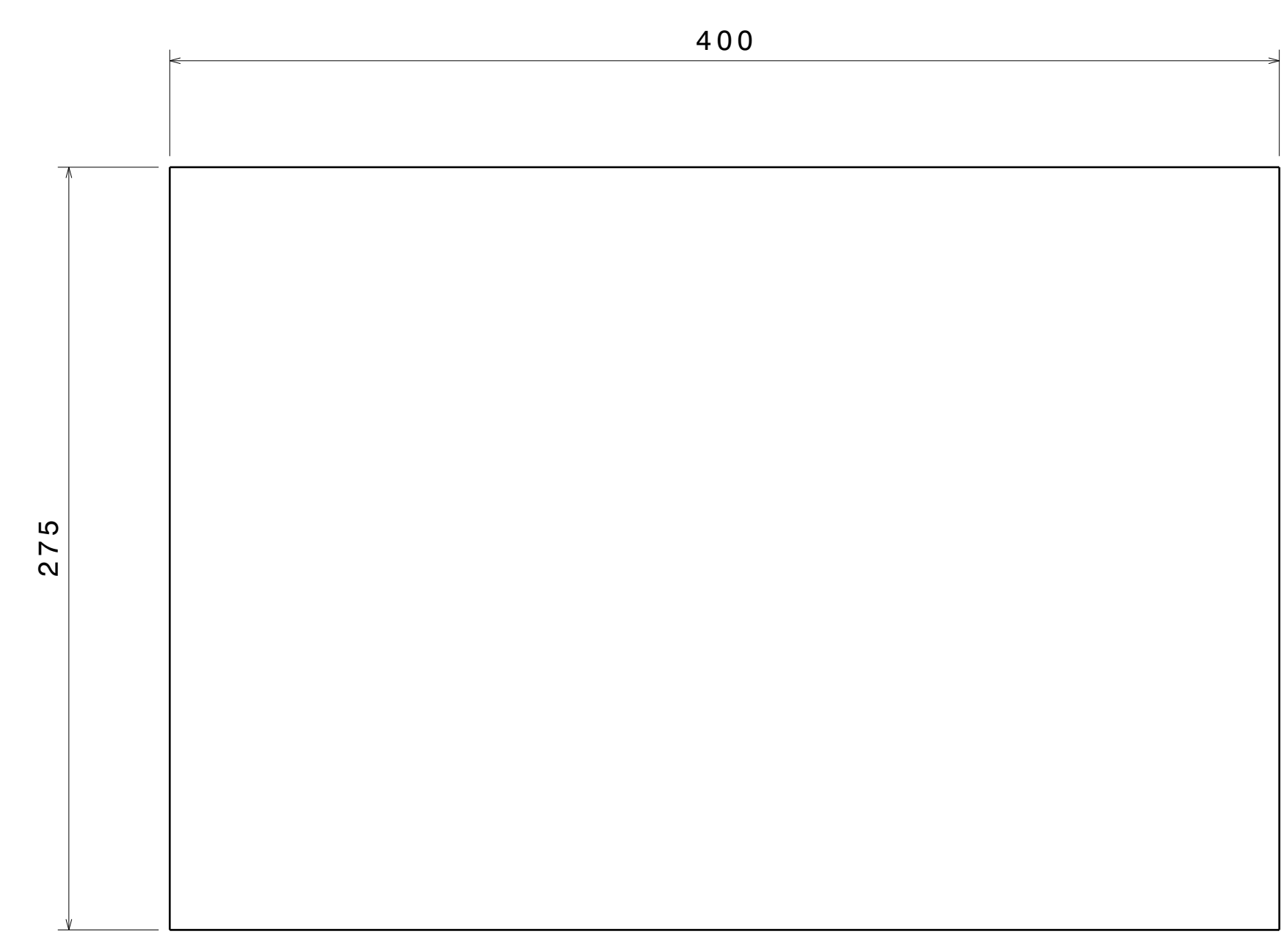
REV	DATE	DESCRIPTION
00	24FEB2021	INITIAL REVISION



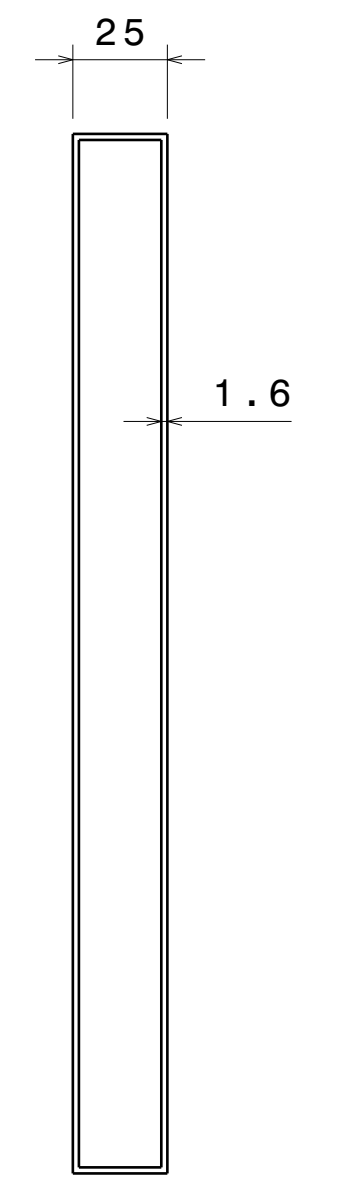
ITEM 1



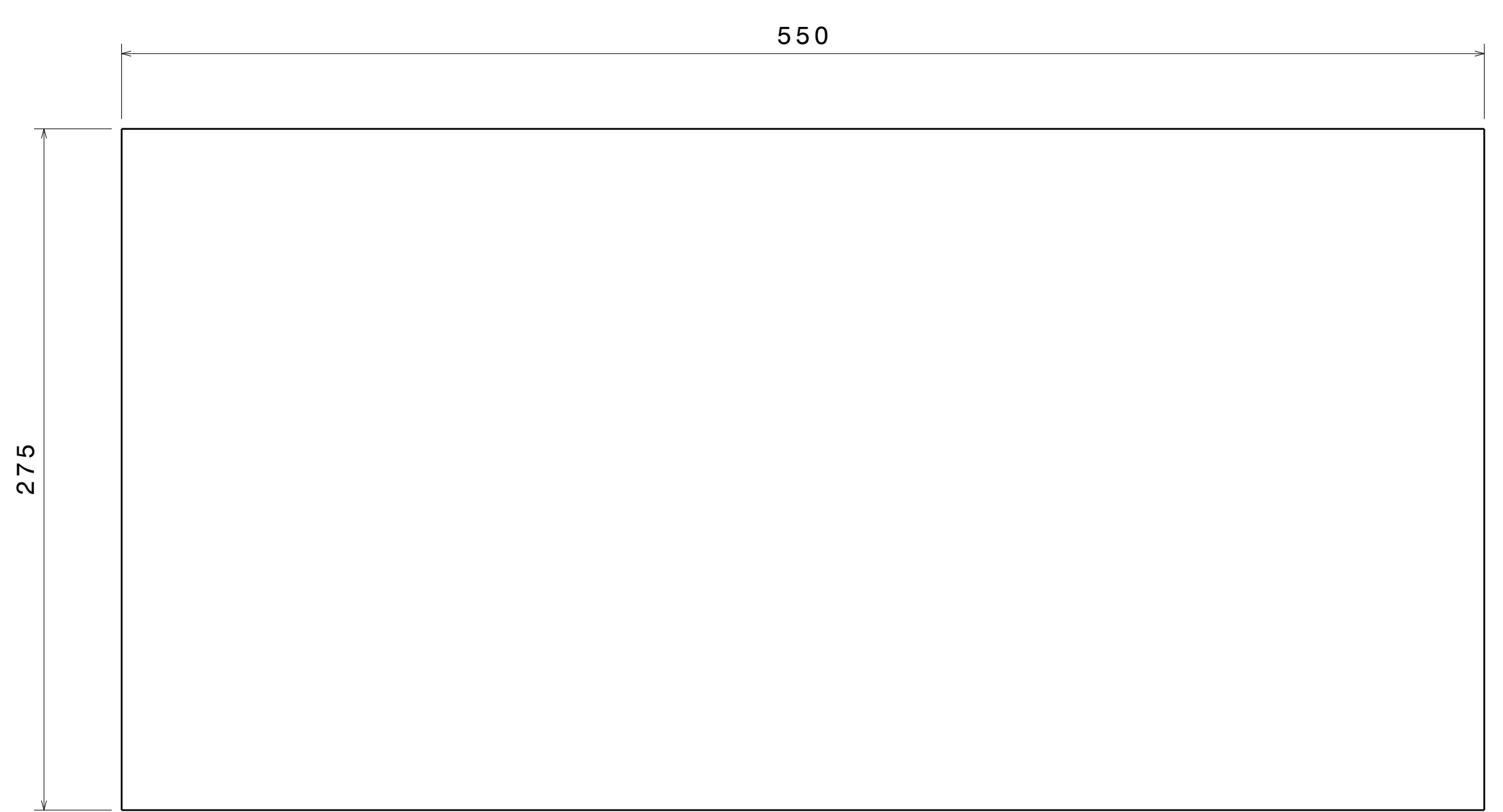
Right view
Scale: 1:2



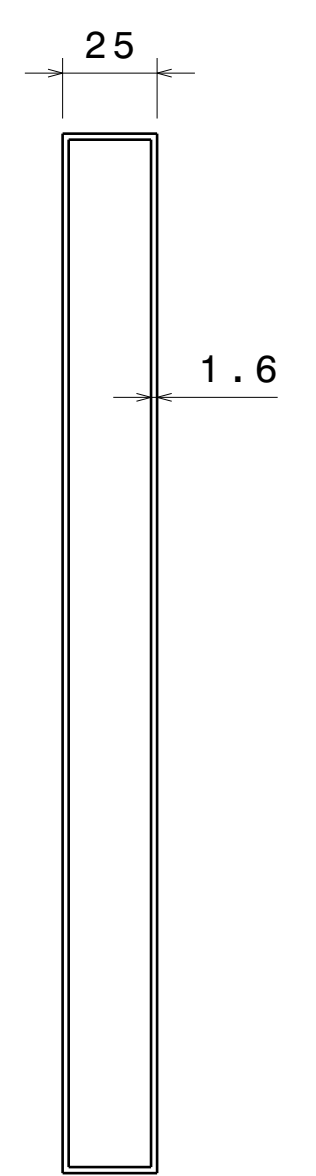
ITEM 3



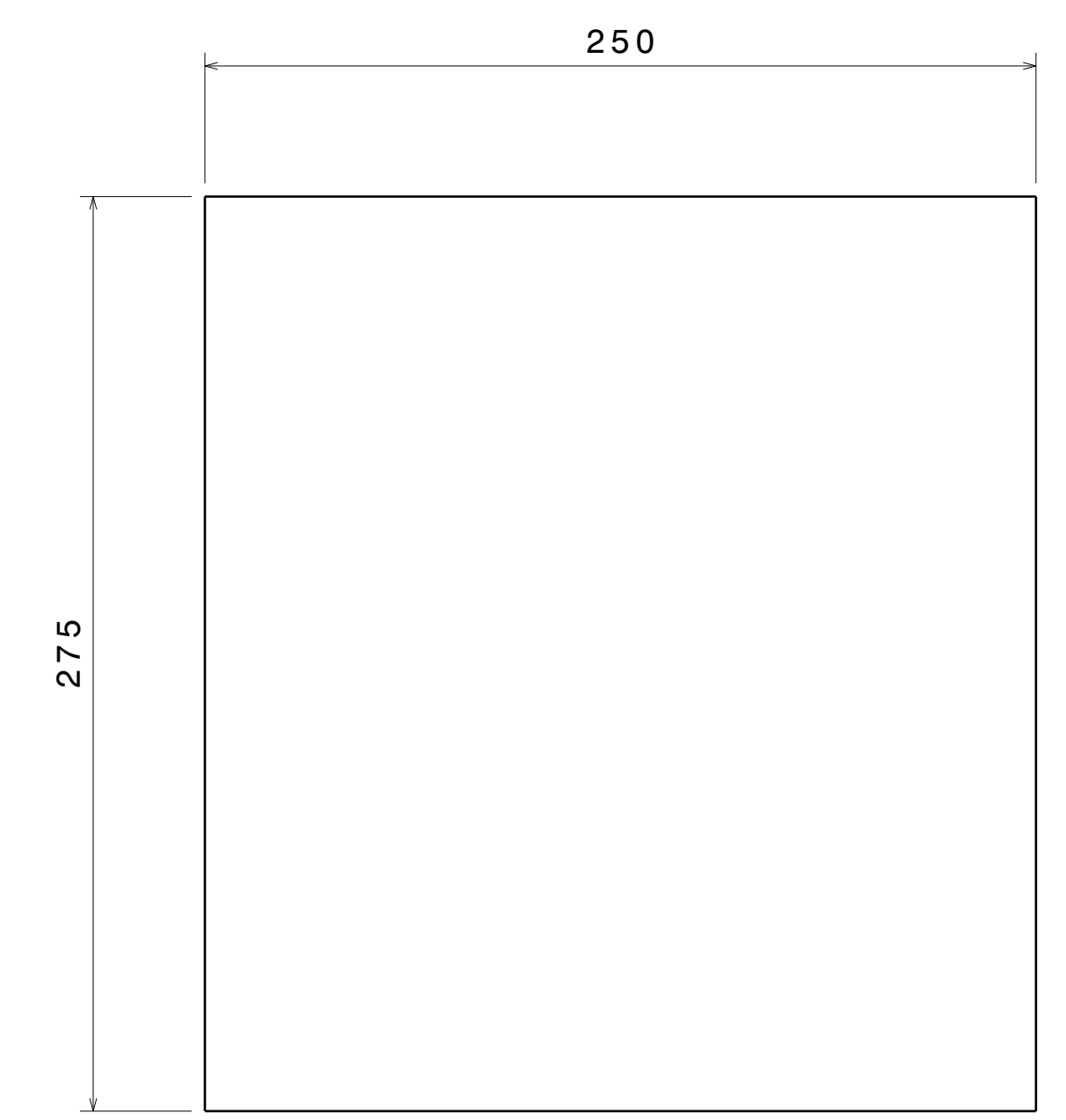
Right view
Scale: 1:2



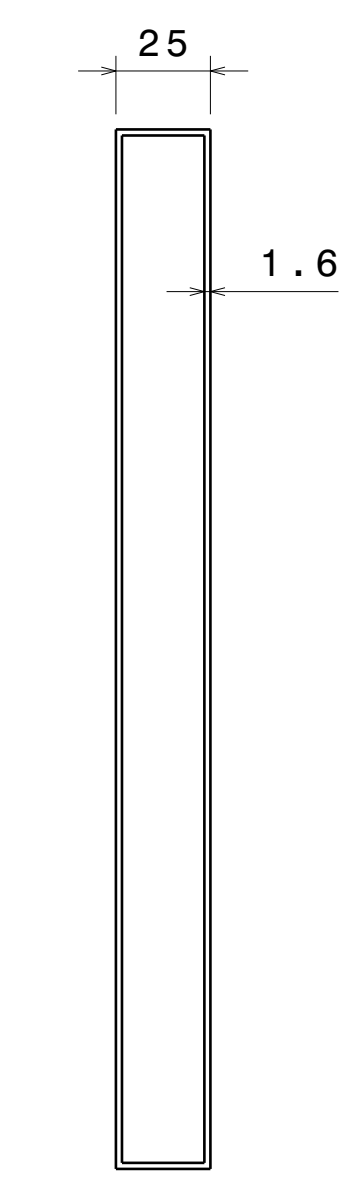
ITEM 2



Right view
Scale: 1:2



ITEM 4



Right view
Scale: 1:2

This drawing is our property.
It can't be reproduced
or communicated without
our written agreement.

APL APOLLO TUBES LTD. 

DRAWN BY		DATE		DRAWING TITLE		
SB		24FEB2021		FEB 21-17		
CHECKED BY		DATE		SIZE	DRAWING NUMBER	REV
P2P Analysis & Solutions		24FEB2021		A0	P2P FEB 21-17	00
DESIGNED BY		DATE		SCALE	WEIGHT (kg)	XXX
P2P Analysis & Solutions		24FEB2021		NONE		

UNLESS OTHERWISE SPECIFIED
DIMENSION ARE IN MM
VIEWS:
THIRD ANGLE PROJECTION

