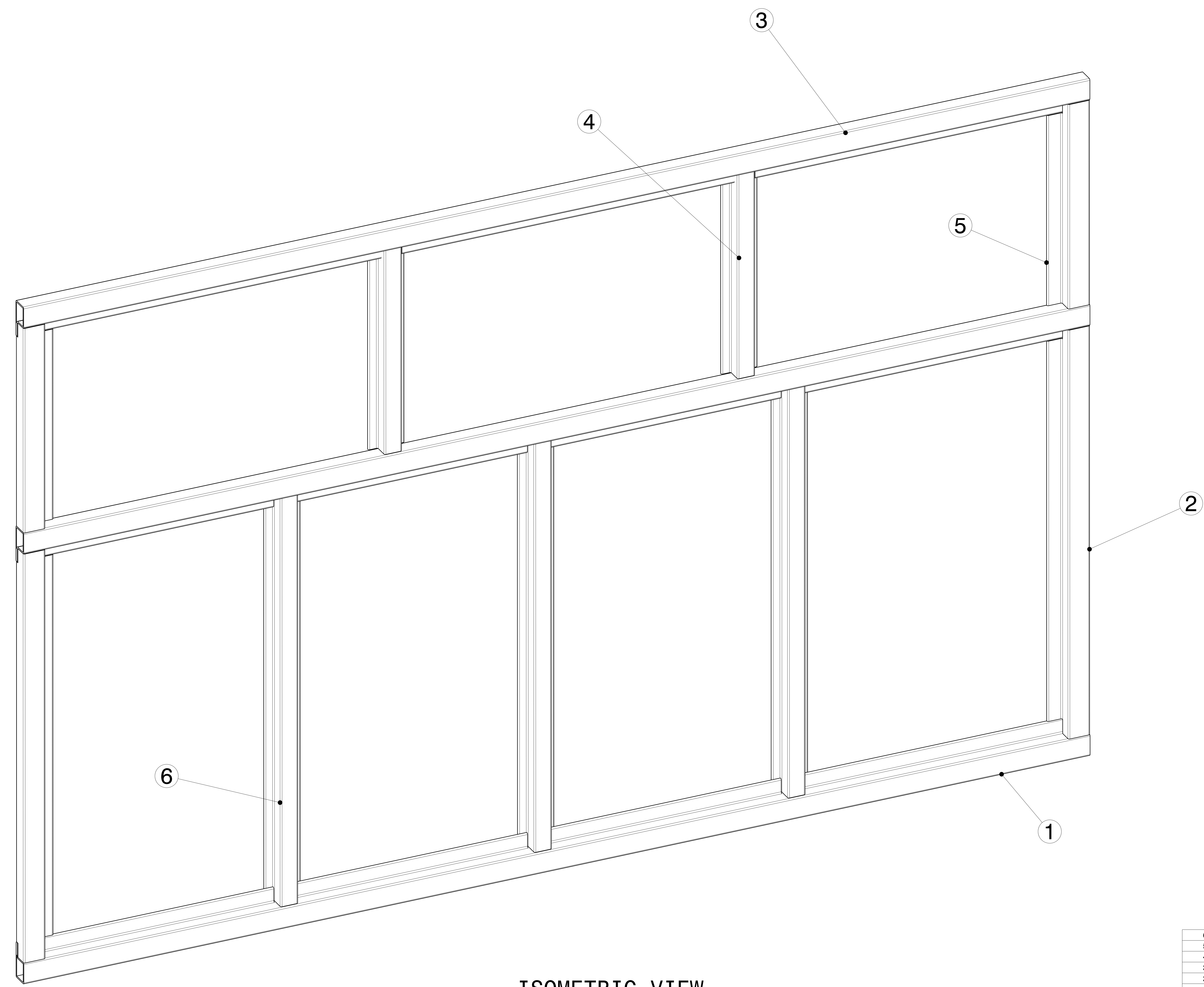



REV/DATE	DESCRIPTION
00 / 25FEB22021	INITIAL REVISION

- NOTES:
- (⊥) ALL VERTICAL SUPPORTS ARE PERPENDICULAR.
 - FLATNESS OF .5MM IS APPLIED BY DEFAULT.
 - ⊲ WELD BEAD OF 2MM RADIUS IS FOLLOWED.
 - ▽▽ SURFACE FINISH MEDIUM TO SMOOTH IS USED.
 - ALL TUBES ARE AS PER APL APOLLO STANDARD. CHANGES MAY EFFECT THE LOAD CAPACITY.
 - ALL HORIZONTAL AND VERTICAL TUBES ARE PERPENDICULAR TO EACH OTHER WITH ±1 DEG.
 - FINE WELDING IS REQUIRED AS PER MENTIONED DETAILS AND FINISHING.
 - HIGHER CURRENT WELDING MAY AFFECT THE BRITTLENESS OF MATERIAL WHICH LATER MAY RAISE TO WEAKENING OF STRUCTURE.
 - FABRICATORS ARE ALLOWED TO USE FITTINGS/FRAMES/SUPPORTS AS NEEDED AND THE SAME MUST BE COMMUNICATED BACK TO ENGINEERING TEAM.
 - BOP COMPONENT WEIGHTS ARE FOR REFERENCE ONLY AND SUBJECTED TO CHANGE PER PURCHASED COMPONENTS.

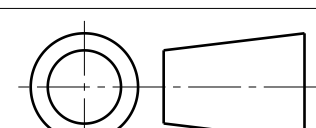


ISOMETRIC VIEW
SCALE : 1:5

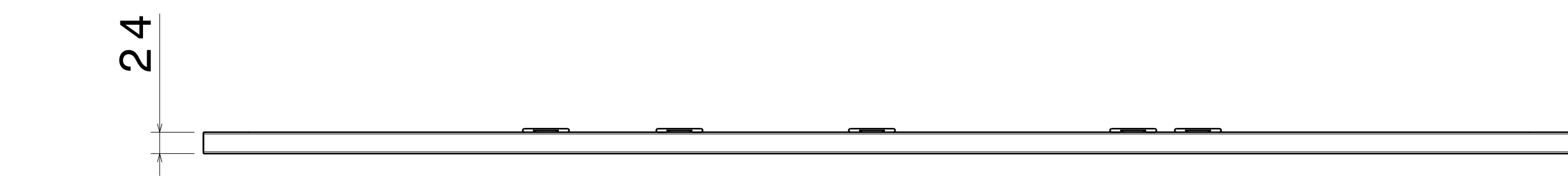
ITEM NO.	PART NUMBER	DESCRIPTION	QTY.	Wt (Kg) /Each
6	T FRAME 2	52 X 25 X 2 X 600	3	1.33
5	L FRAME 4	52 X 24 X 2 X 300	2	0.64
4	T FRAME 1	52 X 25 X 2 X 300	2	0.66
3	L FRAME 3	52X 24 X 2 X 1534	1	3.35
2	L FRAME 2	52 X 24 X 2 X 600	2	1.28
1	L FRAME 1	52 X 24 X 2 X 1534	2	3.34

This drawing is our property. It can't be reproduced or communicated without our written agreement.		APL APOLLO TUBES LTD. 	
DRAWN BY VM		DRAWING TITLE CHAUKHAT - 2	
CHECKED BY P2P Analysis & Solutions	DATE 25FEB22021	SIZE A0	DRAWING NUMBER P2P FEB 21-19
DESIGNED BY P2P Analysis & Solutions	DATE 25FEB22021	SCALE As Indicated	REV 00
UNLESS OTHERWISE SPECIFIED DIMENSION ARE IN MM		WEIGHT (kg)	SHEET 1 OF 3

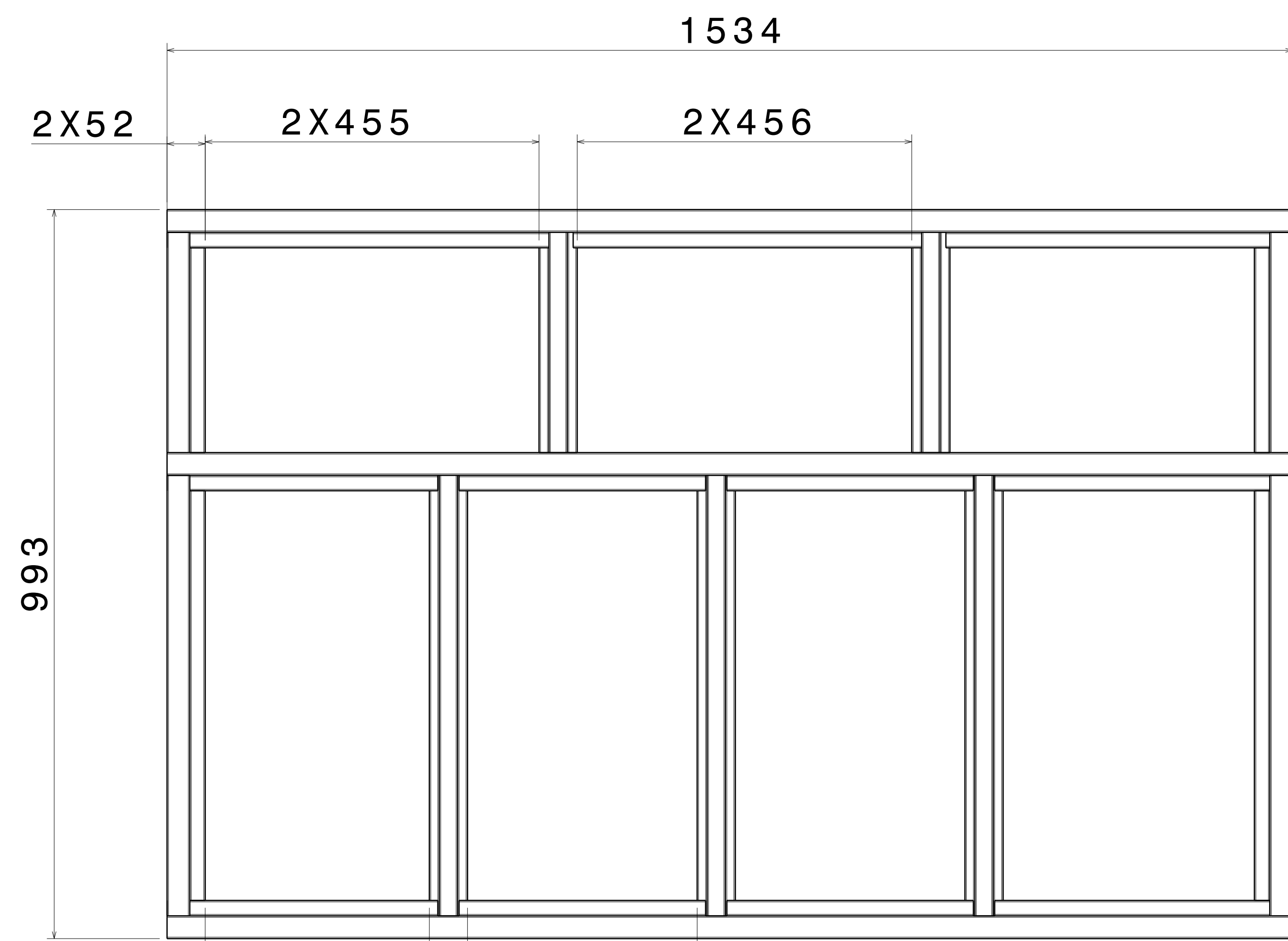
THIRD ANGLE PROJECTION



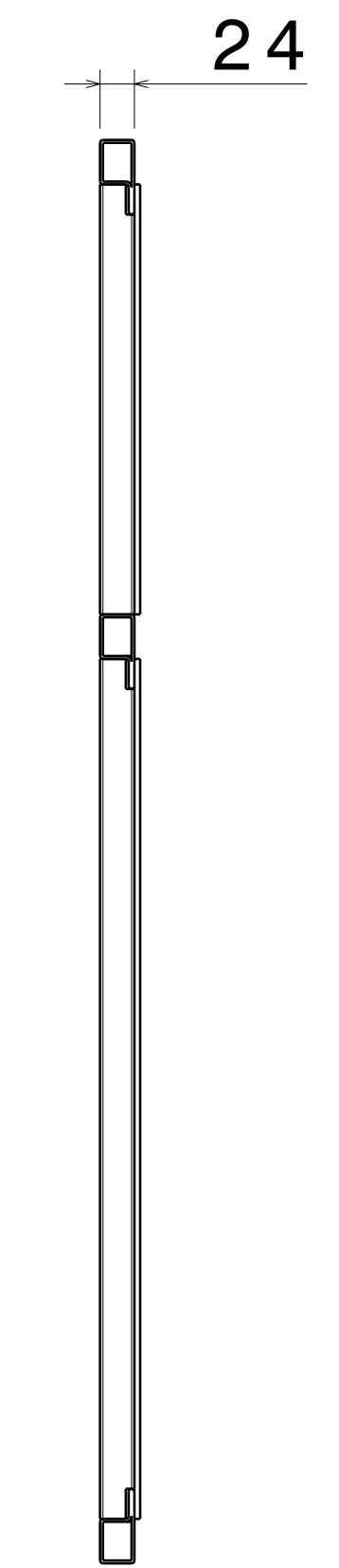
REV	DATE	DESCRIPTION
00	25FEB22021	INITIAL REVISION



TOP VIEW
SCALE: 1:5

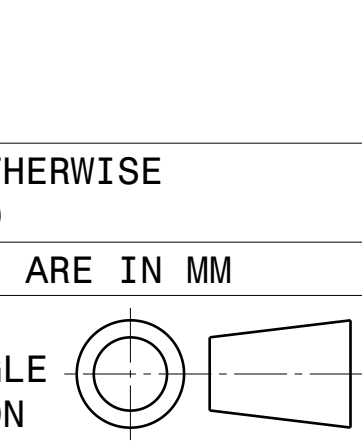



FRONT VIEW
SCALE: 1:5



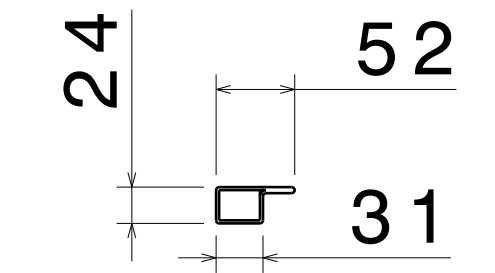
RIGHT VIEW
SCALE: 1:5

UNLESS OTHERWISE SPECIFIED DIMENSION ARE IN MM
VIEWS: THIRD ANGLE PROJECTION

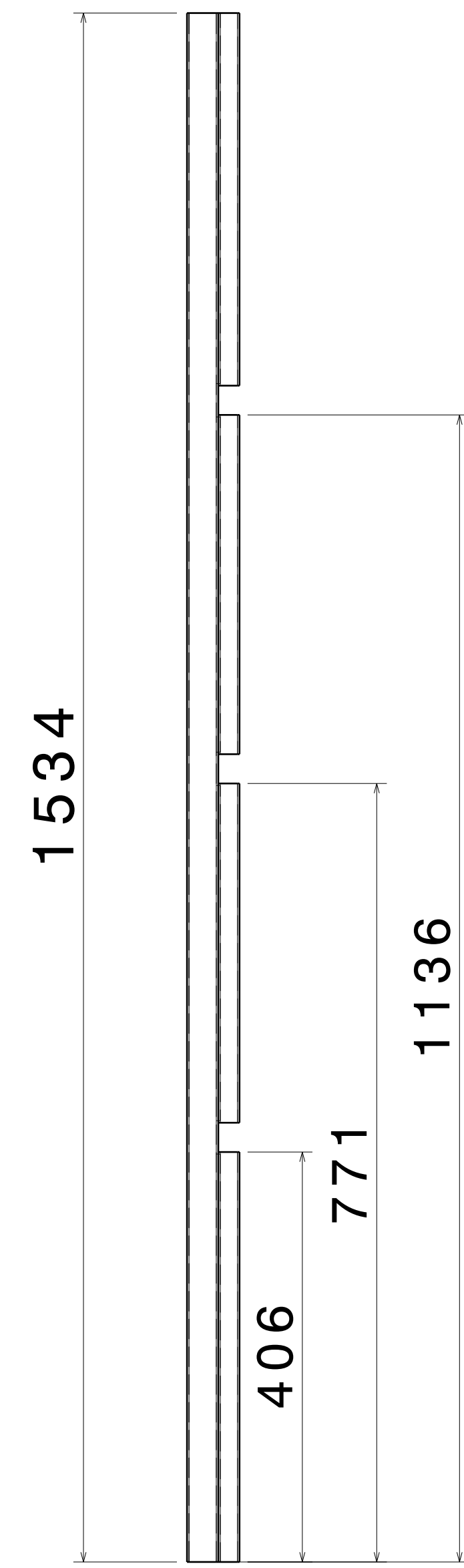


This drawing is our property. It can't be reproduced or communicated without our written agreement.		APL APOLLO TUBES LTD. 	
DRAWN BY SB		DATE 25FEB22021	
CHECKED BY P2P Analysis & Solutions		DATE 25FEB22021	
DESIGNED BY P2P Analysis & Solutions		DATE 25FEB22021	
SIZE A0	DRAWING NUMBER P2P FEB 21-19		REV 00
SCALE NONE	WEIGHT (kg)	XXX	SHEET 2 OF 3

REV	DATE	DESCRIPTION
00	25FEB22021	INITIAL REVISION

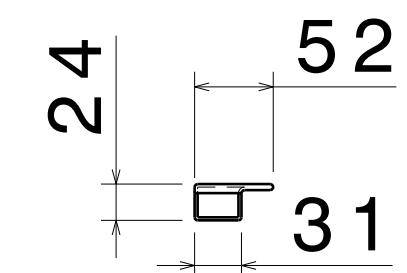


TOP VIEW
SCALE: 1:5

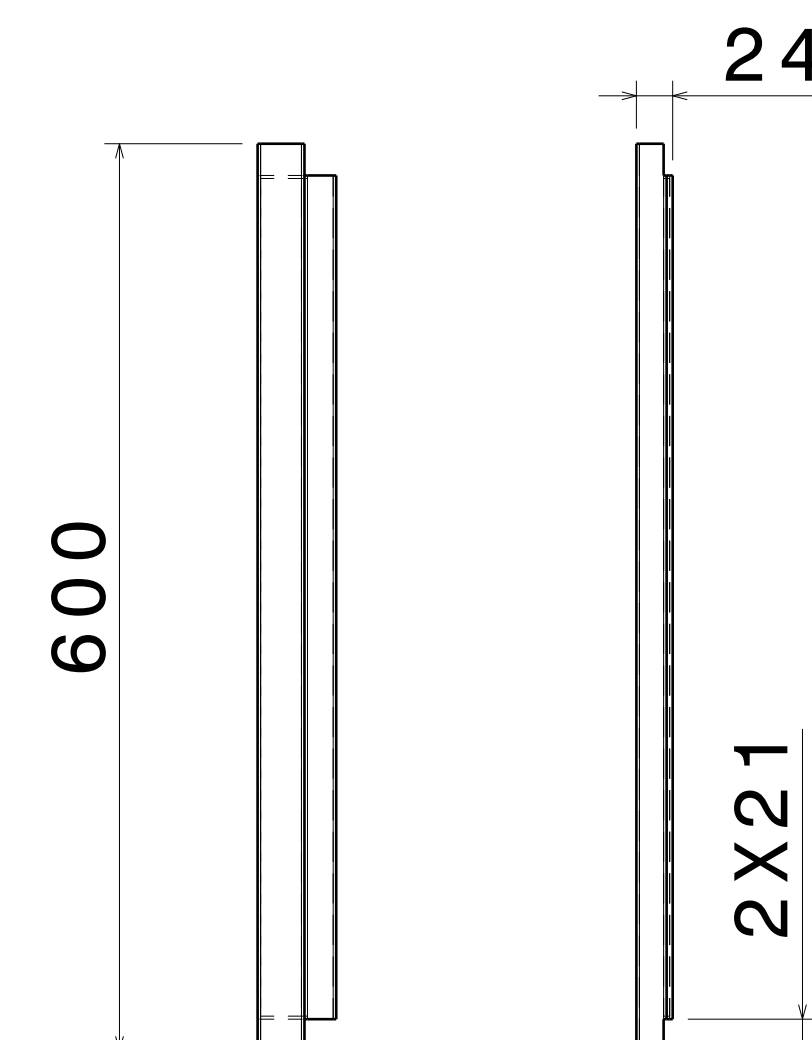


FRONT VIEW
SCALE: 1:5

ITEM 1, L FRAME 1
THICKNESS - 2.0MM

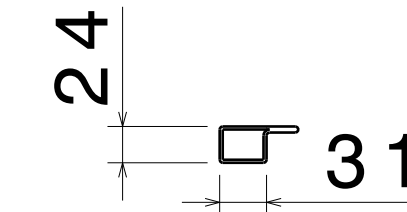


TOP VIEW
SCALE: 1:5

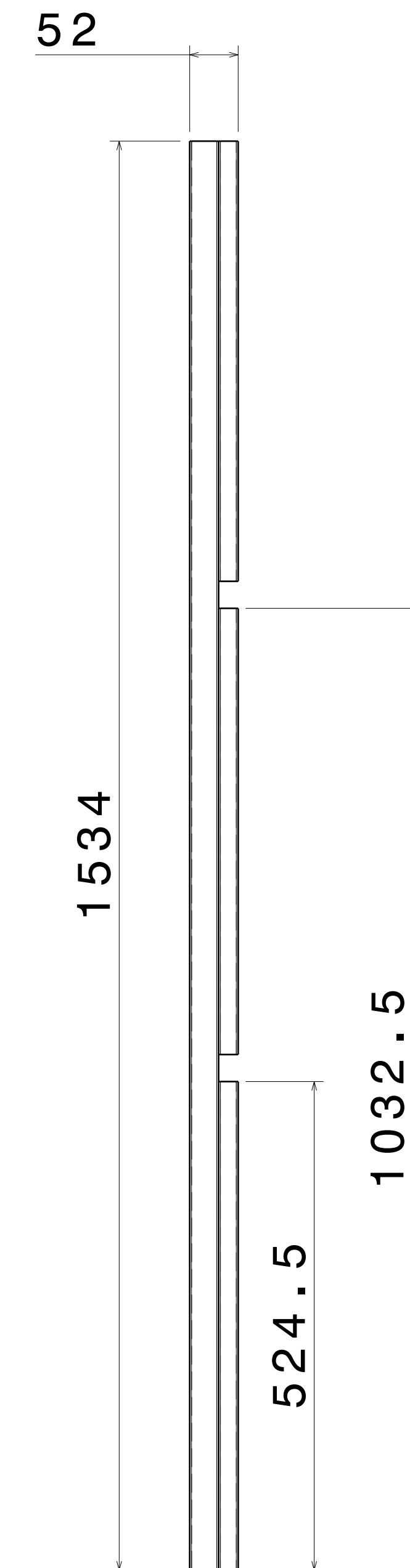


FRONT VIEW RIGHT VIEW
SCALE: 1:5 SCALE: 1:5

ITEM 2, L FRAME 2
THICKNESS - 2.0MM

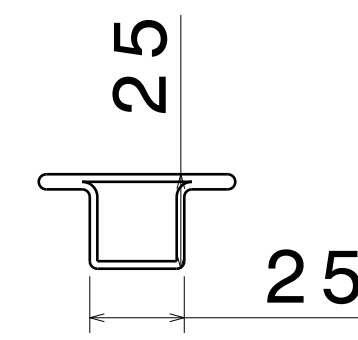


TOP VIEW
SCALE: 1:5

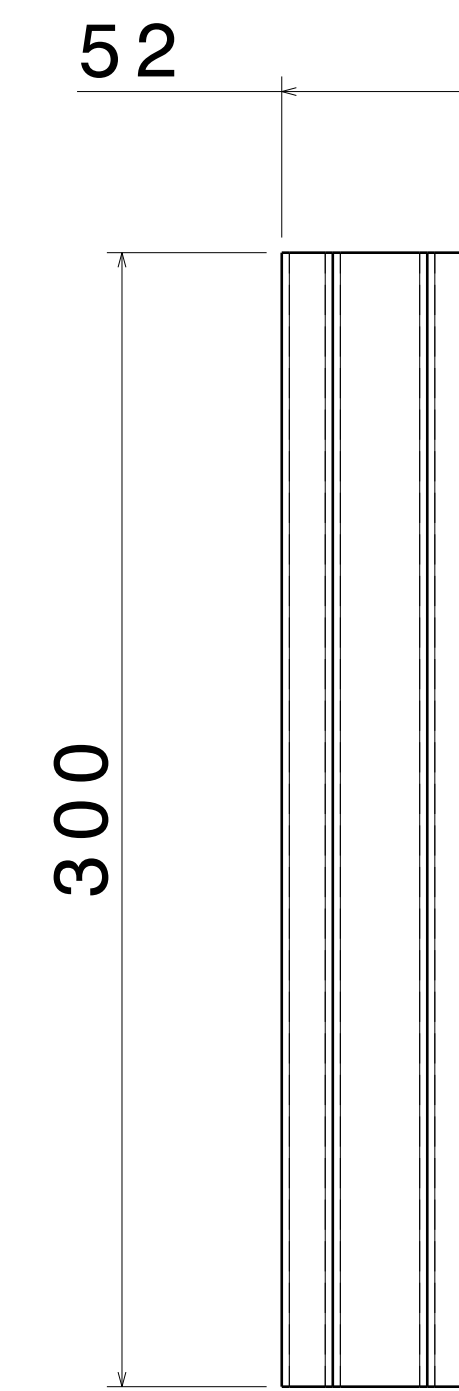


FRONT VIEW
SCALE: 1:5

ITEM 3, L FRAME 3
THICKNESS - 2.0MM

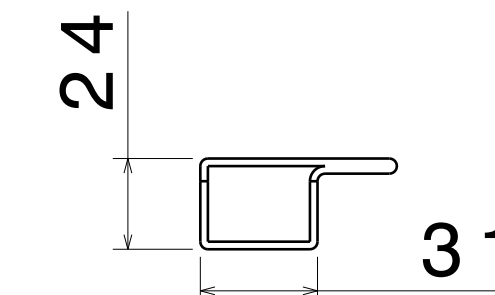


TOP VIEW
SCALE: 1:2

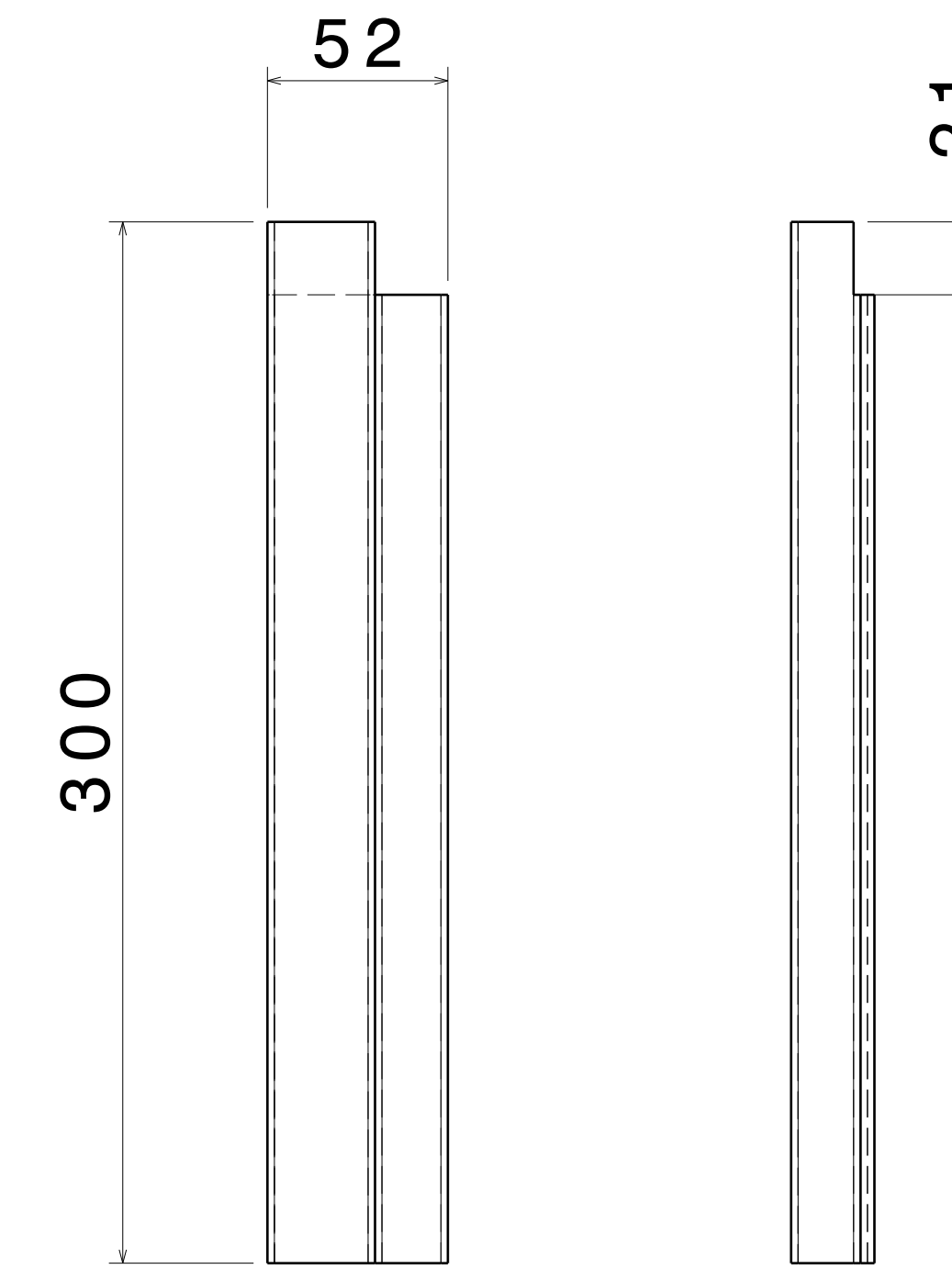


FRONT VIEW
SCALE: 1:2

ITEM 4, T FRAME 1
THICKNESS - 2.0MM

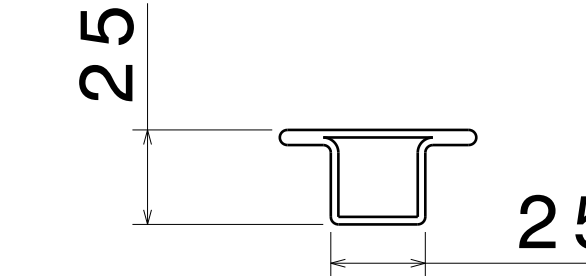


TOP VIEW
SCALE: 1:2

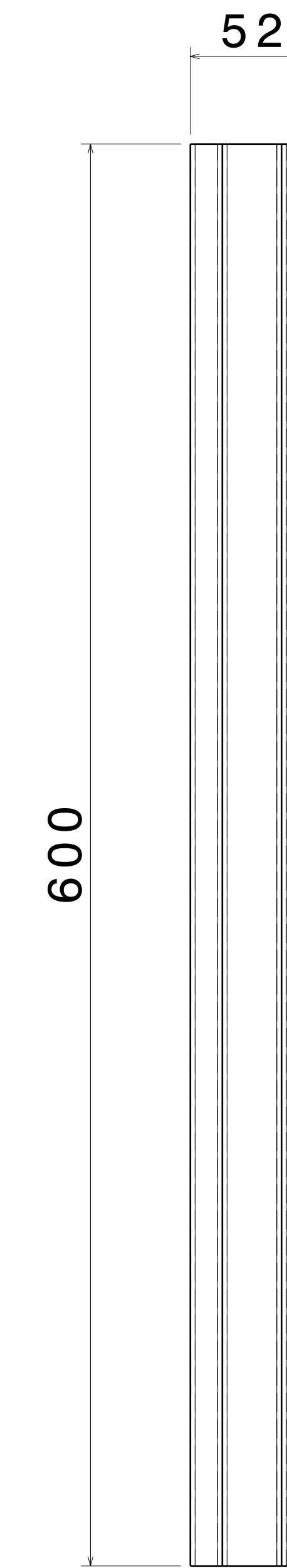


FRONT VIEW RIGHT VIEW
SCALE: 1:2 SCALE: 1:2

ITEM 5, L FRAME 4
THICKNESS - 2.0MM



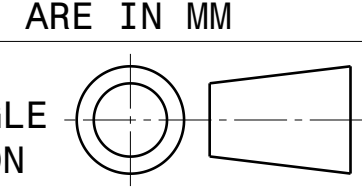
TOP VIEW
SCALE: 1:2



FRONT VIEW
SCALE: 1:2

ITEM 6, T FRAME 2
THICKNESS - 2.0MM

UNLESS OTHERWISE SPECIFIED DIMENSION ARE IN MM
VIEWS: THIRD ANGLE PROJECTION



This drawing is our property. It can't be reproduced or communicated without our written agreement.		APL APOLLO TUBES LTD.	
DRAWN BY SB		DATE 25FEB22021	
CHECKED BY P2P Analysis & Solutions		DATE 25FEB22021	
DESIGNED BY P2P Analysis & Solutions		DATE 25FEB22021	
DRAWING TITLE CHAUKHAT - 2		SIZE A0	DRAWING NUMBER P2P FEB 21-19
SCALE NONE		WEIGHT (kg) XXX	REV 00
		SHEET 3 OF 3	