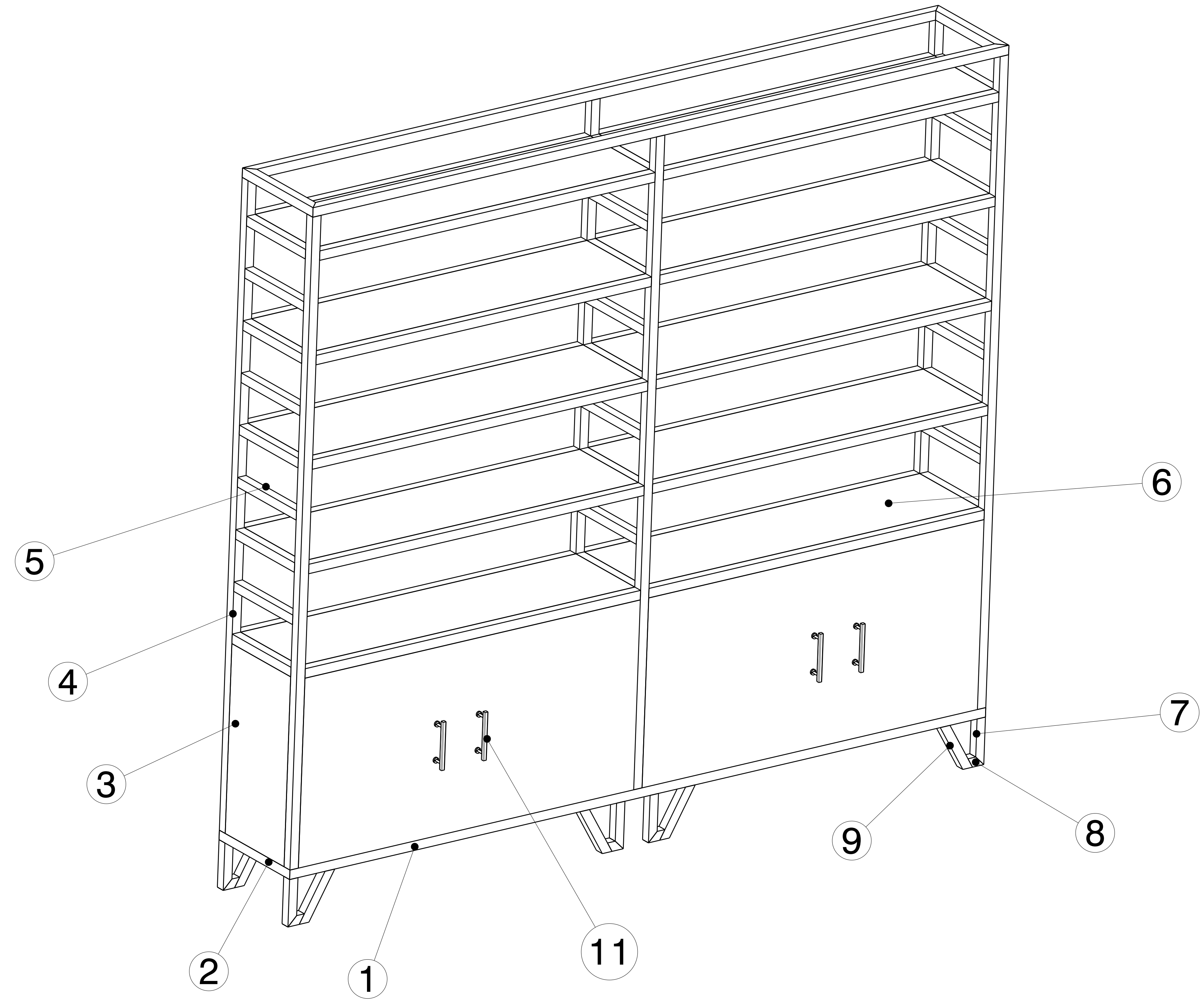


REV/DATE	DESCRIPTION
00 / 6FEB2021	INITIAL REVISION

- NOTES:
- (⊥) ALL VERTICAL SUPPORTS ARE PERPENDICULAR.
  - FLATNESS OF .5MM IS APPLIED BY DEFAULT.
  - ⊲ WELD BEAD OF 2MM RADIUS IS FOLLOWED.
  - ▽▽ SURFACE FINISH MEDIUM TO SMOOTH IS USED.
  - ALL TUBES ARE AS PER APL APOLLO STANDARD. CHANGES MAY EFFECT THE LOAD CAPACITY.
  - ALL HORIZONTAL AND VERTICAL TUBES ARE PERPENDICULAR TO EACH OTHER WITH ±1 DEG.
  - FINE WELDING IS REQUIRED AS PER MENTIONED DETAILS AND FINISHING.
  - HIGHER CURRENT WELDING MAY AFFECT THE BRITTLENESS OF MATERIAL WHICH LATER MAY RAISE TO WEAKENING OF STRUCTURE.
  - FABRICATORS ARE ALLOWED TO USE FITTINGS/FRAMES/SUPPORTS AS NEEDED AND THE SAME MUST BE COMMUNICATED BACK TO ENGINEERING TEAM.
  - BOP COMPONENT WEIGHTS ARE FOR REFERENCE ONLY AND SUBJECTED TO CHANGE PER PURCHASED COMPONENTS.



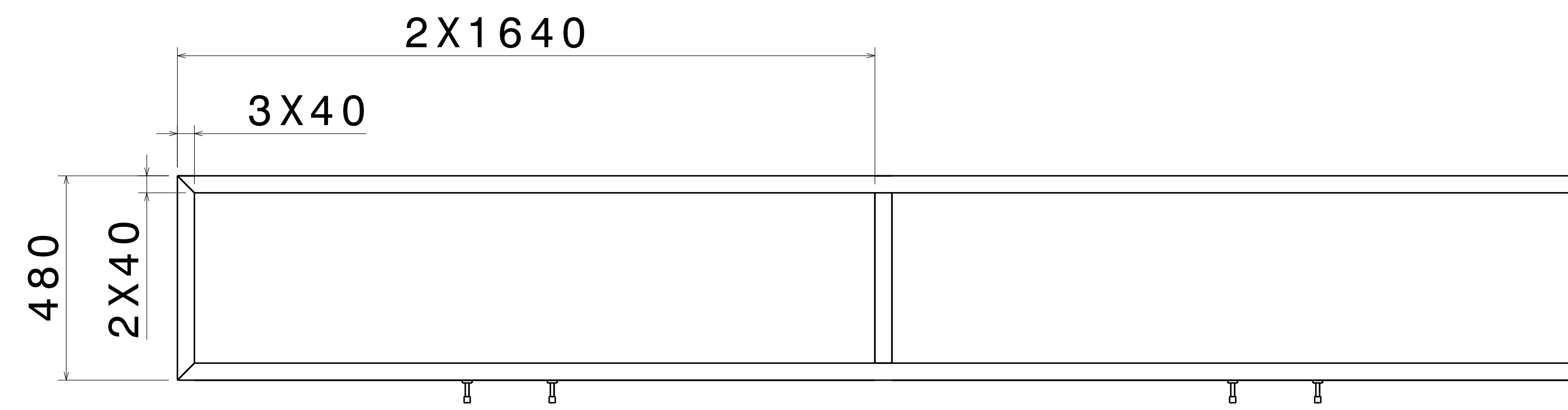
ISOMETRIC VIEW  
SCALE : 1:10

ITEM NO.	PART NUMBER	DESCRIPTION	QTY.	Wt (Kg)/Each
10	BOP HANDLE	-----	4	----
9	SHS FRAME 7	40 X 40 X 5 X	8	1.27
8	SHS FRAME 6	40 X 40 X 5 X 53.8	8	0.25
7	SHS FRAME 5	40 X 40 X 5 X 200	8	0.99
6	RHS PLANK 2	200 X 25 X 2 X 1600	24	11.12
5	SHS FRAME 4	40 X 40 X 2.0 X 400	28	0.96
4	SHS FRAME 3	40 X 40 X 2.0 X 2750	6	6.57
3	RHS PLANK 1	200 X 25 X 1.6 X 800	38	4.46
2	SHS FRAME 2	40 X 40 X 2.0 X 480	4	1.05
1	SHS FRAME 1	40 X 40 X 2.0 X 3320	4	7.84

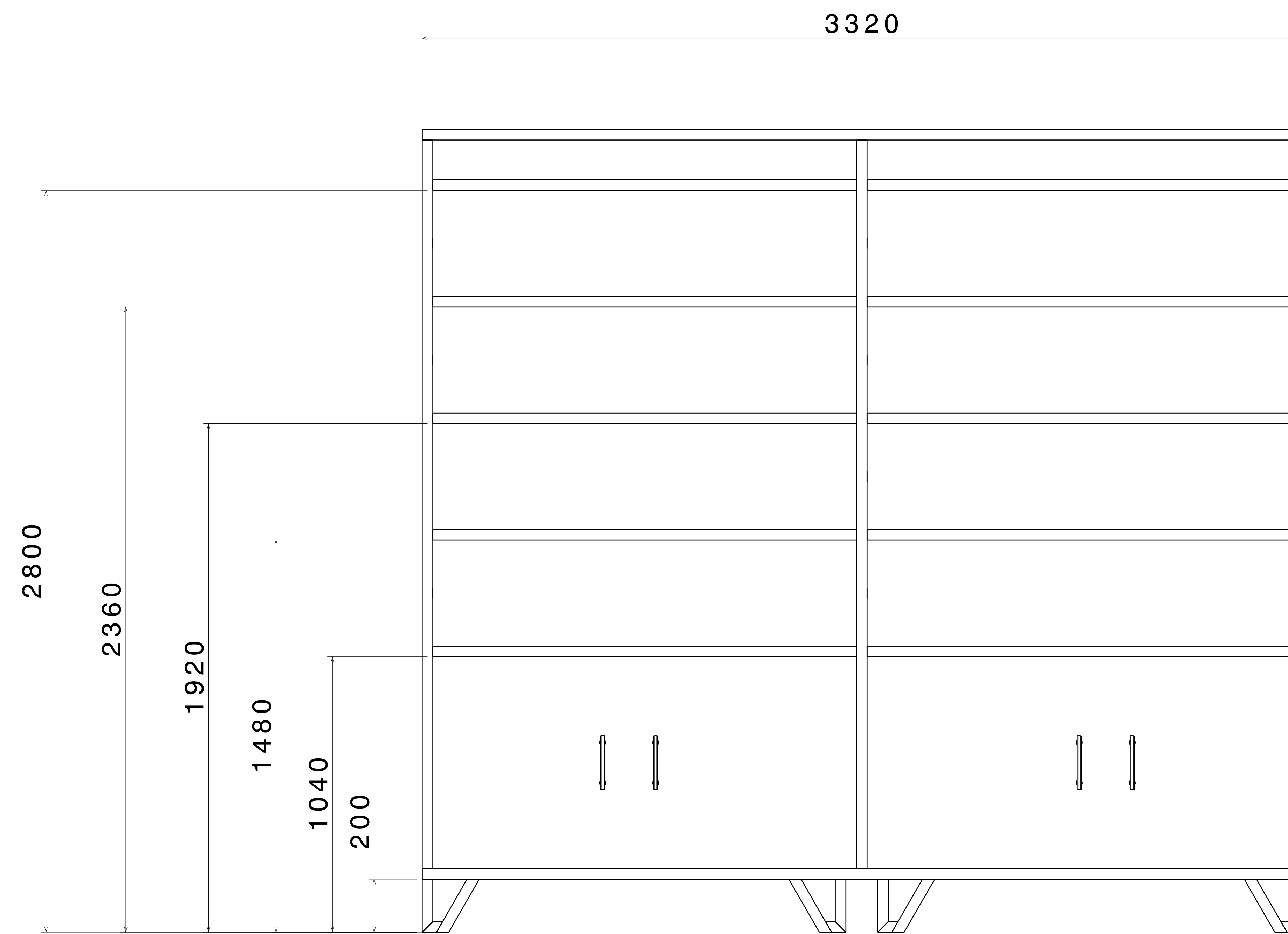
This drawing is our property. It can't be reproduced or communicated without our written agreement.		APL APOLLO TUBES LTD.	
DRAWING TITLE			
COMPARTMENT SHELF			
DRAWN BY	DATE	SIZE	DRAWING NUMBER
VM	6FEB2021	A0	P2P FEB21-2
CHECKED BY	DATE	SCALE	REV
P2P Analysis & Solutions	6FEB2021	As Indicated	00
DESIGNED BY	DATE	WEIGHT (kg)	SHEET 1 OF 3
P2P Analysis & Solutions	6FEB2021	0kg	

UNLESS OTHERWISE SPECIFIED DIMENSION ARE IN MM  
VIEWS: THIRD ANGLE PROJECTION

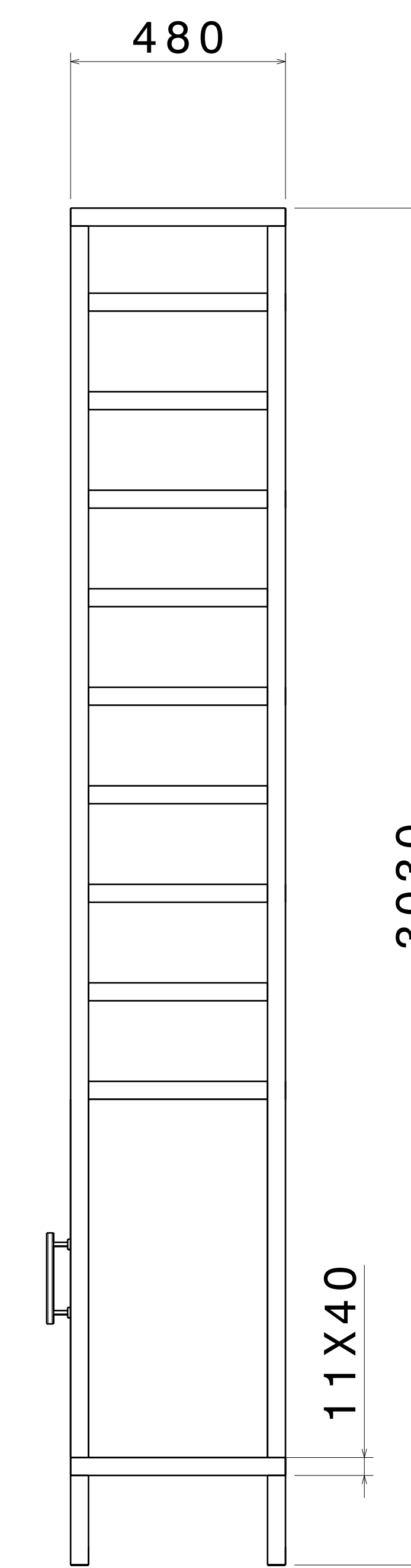
REV	DATE	DESCRIPTION
00	6FEB2021	INITIAL REVISION



TOP VIEW  
SCALE: 1:10

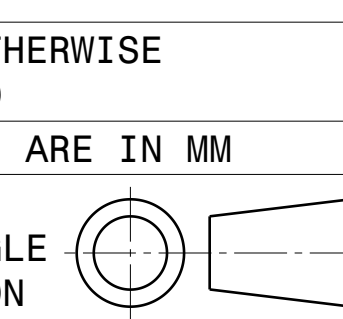



FRONT VIEW  
SCALE: 1:10



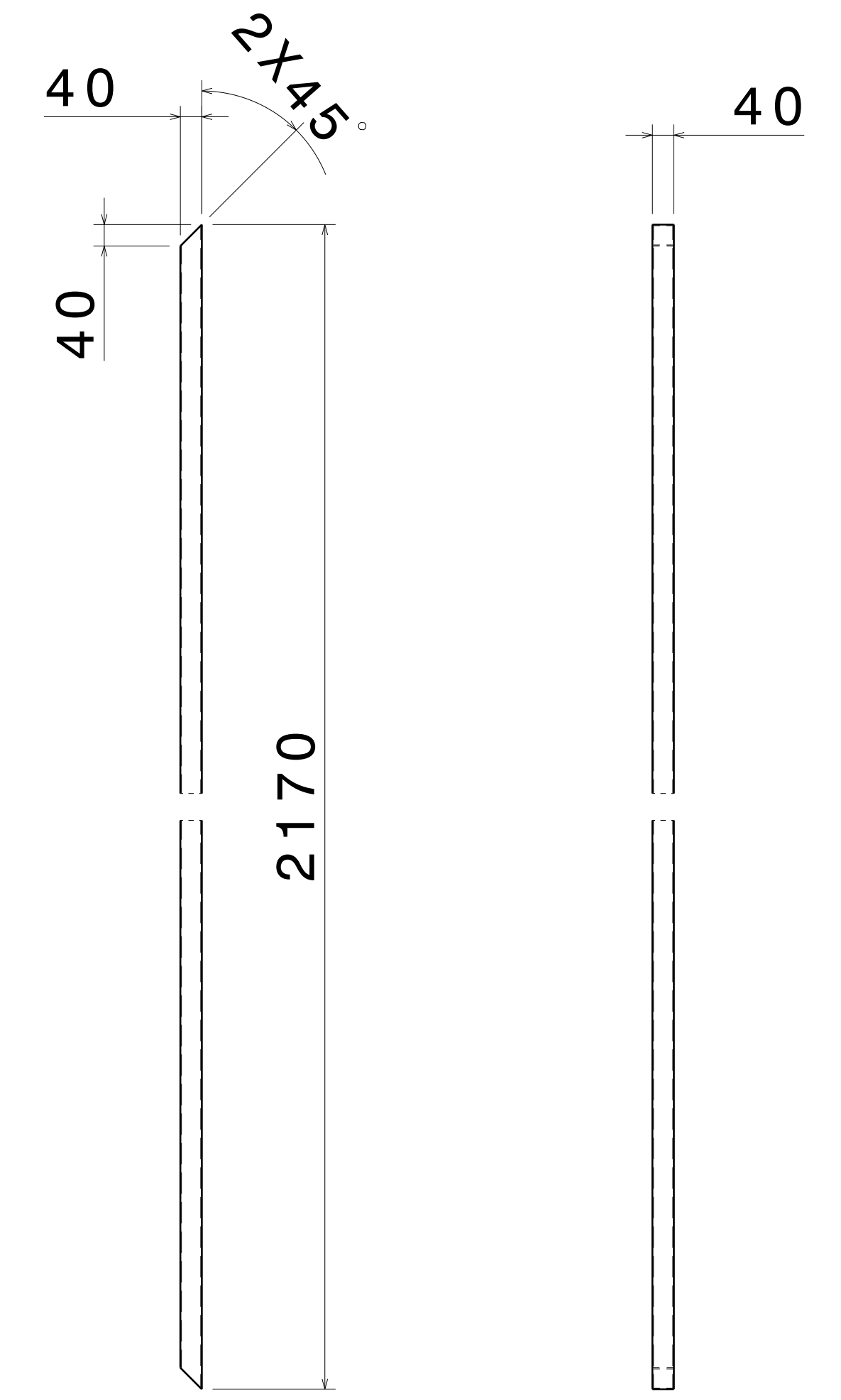
RIGHT VIEW  
SCALE: 1:10

UNLESS OTHERWISE SPECIFIED DIMENSION ARE IN MM  
VIEWS: THIRD ANGLE PROJECTION

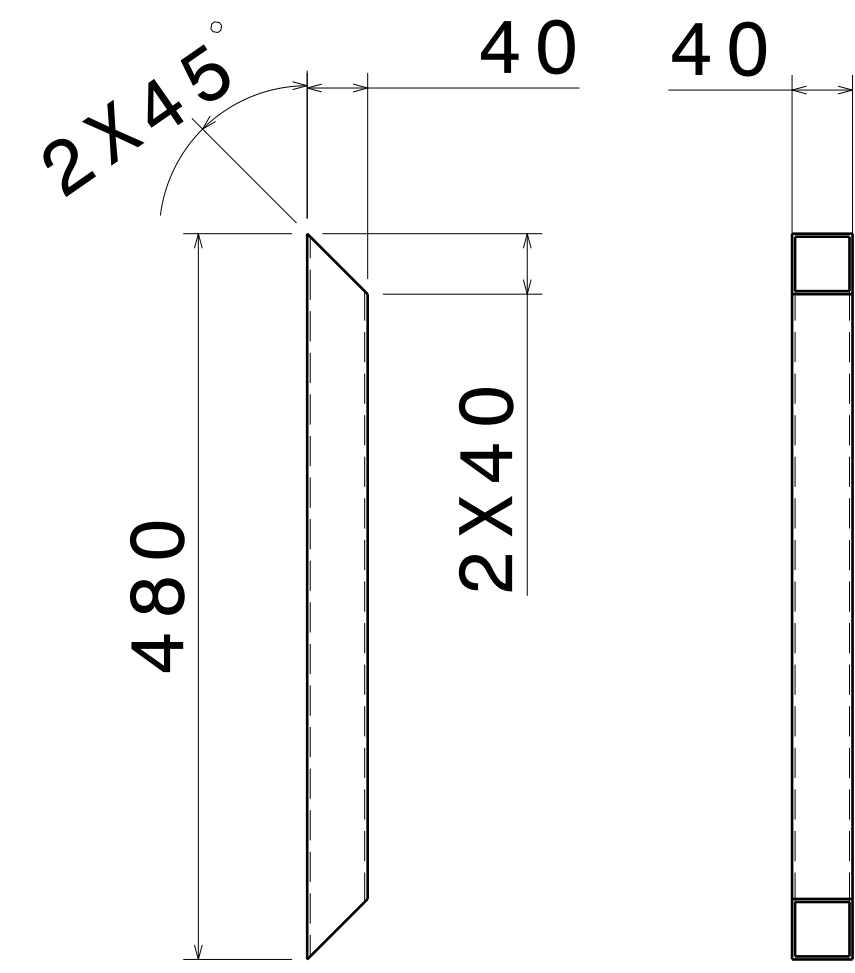


This drawing is our property. It can't be reproduced or communicated without our written agreement.		APL APOLLO TUBES LTD. 	
DRAWN BY SB		DATE 6FEB2021	
CHECKED BY P2P Analysis & Solutions		DATE 6FEB2021	
DESIGNED BY P2P Analysis & Solutions		DATE 6FEB2021	
DRAWING TITLE COMPARTMENT SHELF		SIZE A0	DRAWING NUMBER P2P FEB21-2
SCALE NONE		WEIGHT (kg) XXX	REV 00
		SHEET 2 OF 3	

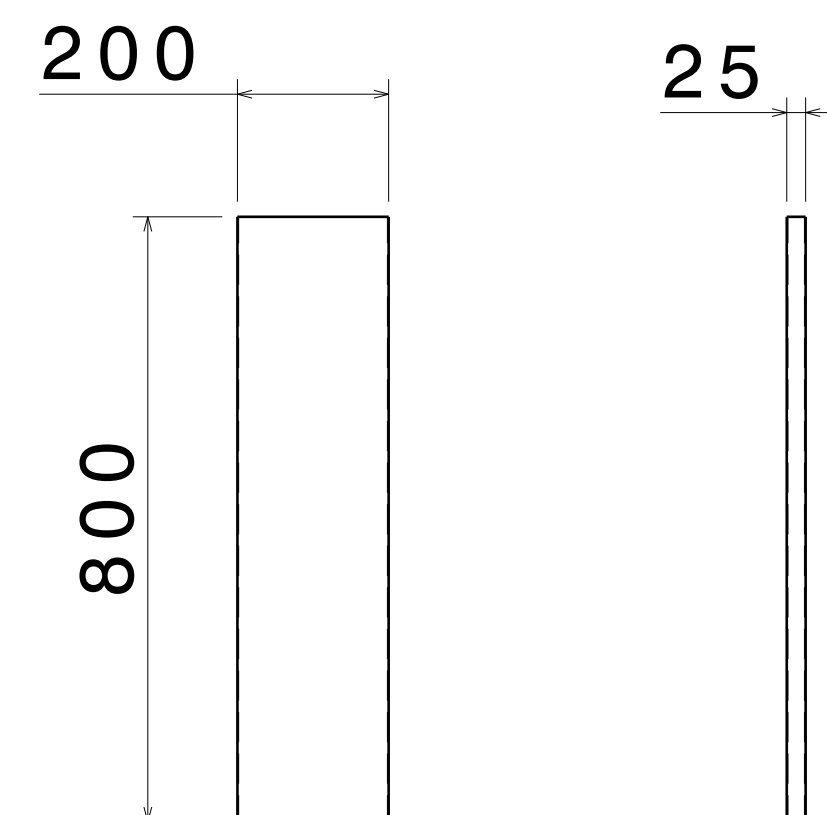
REV	DATE	DESCRIPTION
00	6FEB2021	INITIAL REVISION



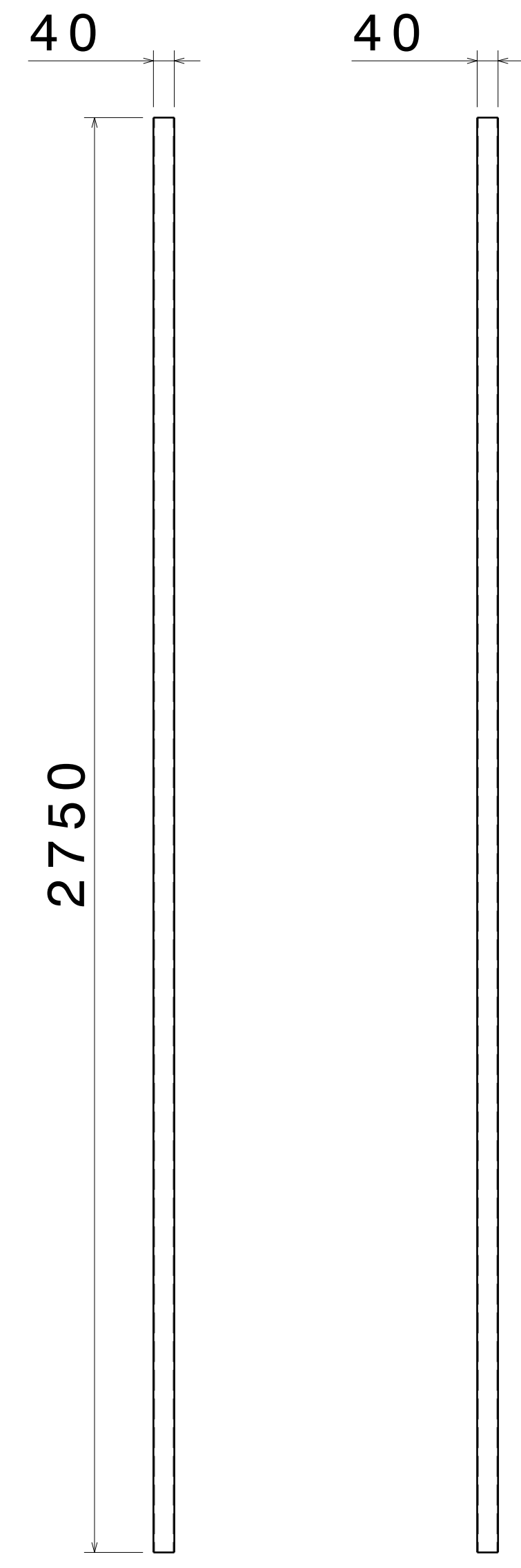
FRONT VIEW RIGHT VIEW  
SCALE: 1:10 SCALE: 1:10  
ITEM 1, SHS FRAME 1  
THICKNESS - 2.0MM



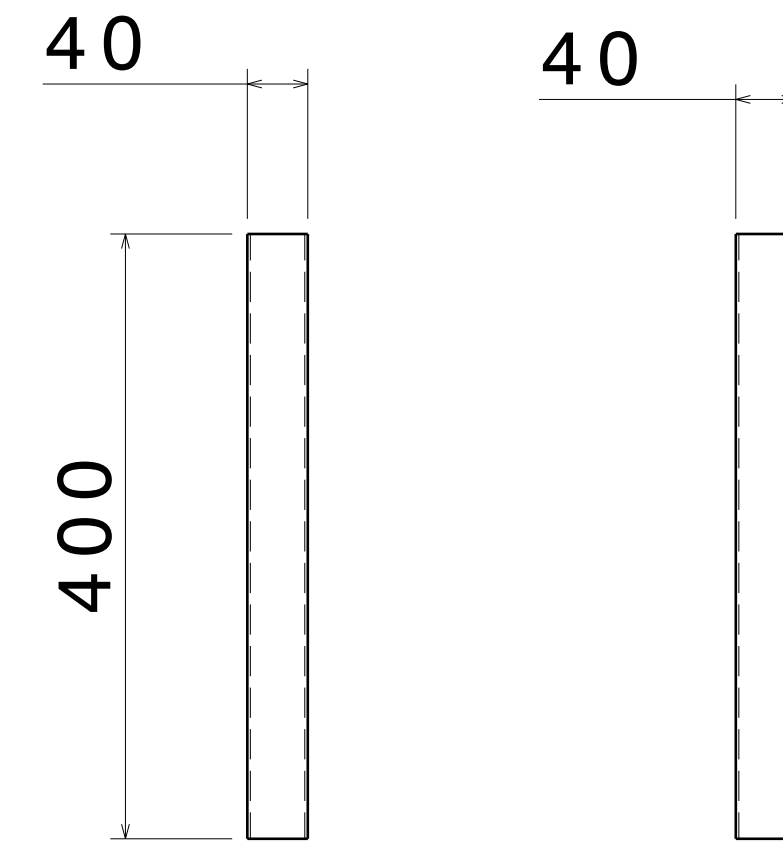
FRONT VIEW RIGHT VIEW  
SCALE: 1:5 SCALE: 1:5  
ITEM 2, SHS FRAME 2  
THICKNESS - 2.0MM



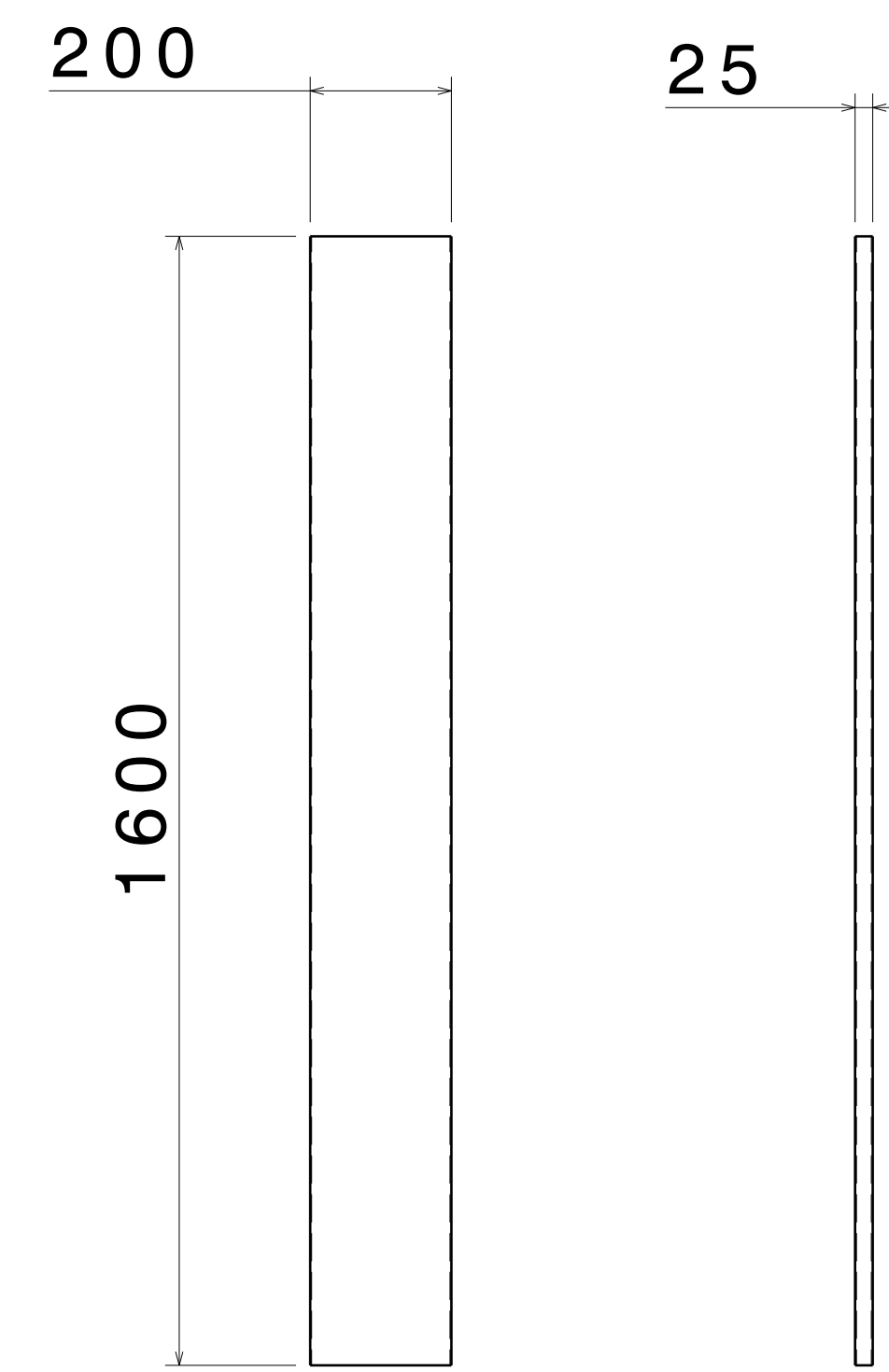
FRONT VIEW RIGHT VIEW  
SCALE: 1:10 SCALE: 1:10  
ITEM 3, RHS PLANK 1  
THICKNESS - 1.6MM



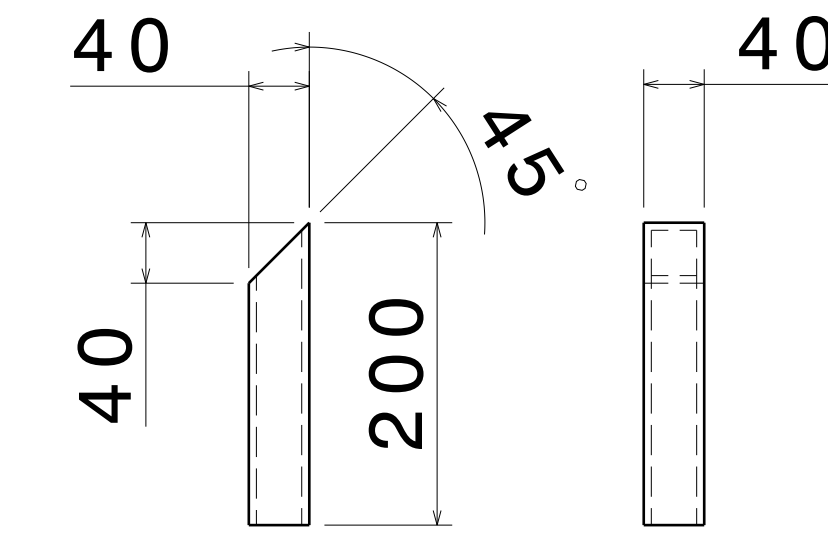
FRONT VIEW RIGHT VIEW  
SCALE: 1:10 SCALE: 1:10  
ITEM 4, SHS FRAME 3  
THICKNESS - 2.0MM



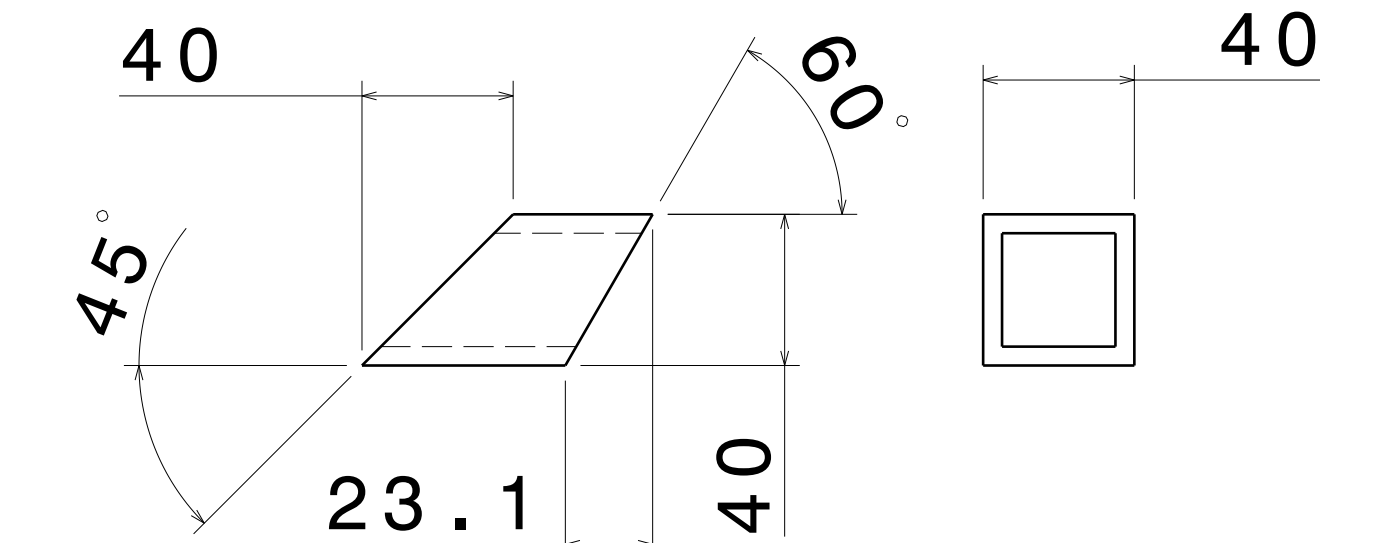
FRONT VIEW RIGHT VIEW  
SCALE: 1:5 SCALE: 1:5  
ITEM 5, SHS FRAME 4  
THICKNESS - 2.0MM



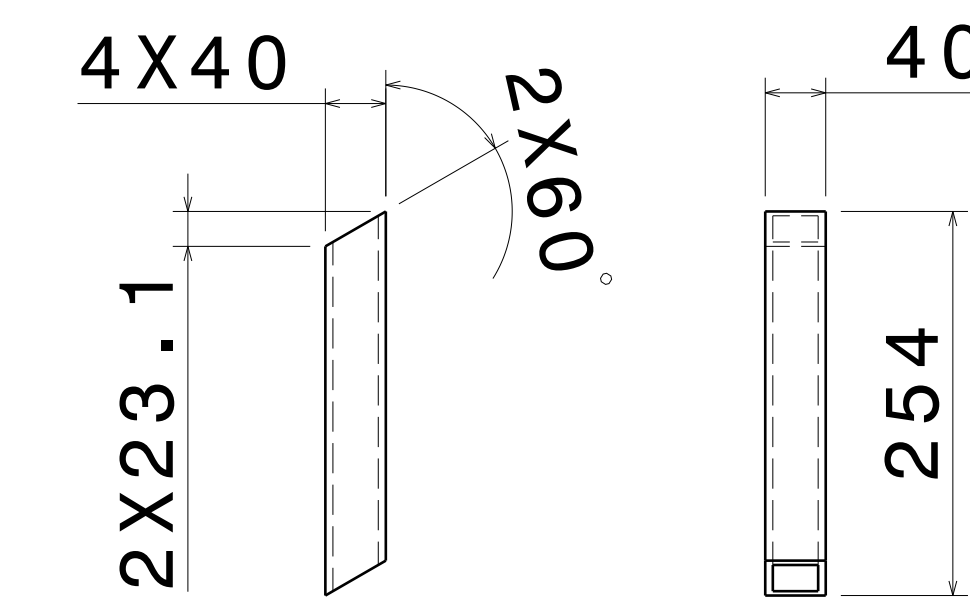
FRONT VIEW RIGHT VIEW  
SCALE: 1:10 SCALE: 1:10  
ITEM 6, RHS PLANK 2  
THICKNESS - 2.0MM



FRONT VIEW RIGHT VIEW  
SCALE: 1:5 SCALE: 1:5  
ITEM 7, SHS FRAME 5  
THICKNESS - 5.0MM

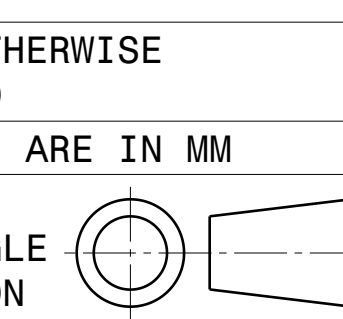



FRONT VIEW RIGHT VIEW  
SCALE: 1:2 SCALE: 1:5  
ITEM 8, SHS FRAME 6  
THICKNESS - 5.0MM



FRONT VIEW RIGHT VIEW  
SCALE: 1:5 SCALE: 1:5  
ITEM 9, SHS FRAME 7  
THICKNESS - 5.0MM

UNLESS OTHERWISE SPECIFIED DIMENSION ARE IN MM  
VIEWS: THIRD ANGLE PROJECTION



This drawing is our property. It can't be reproduced or communicated without our written agreement.		APL APOLLO TUBES LTD. 	
DRAWN BY SB		DATE 6FEB2021	
CHECKED BY P2P Analysis & Solutions		DATE 6FEB2021	
DESIGNED BY P2P Analysis & Solutions		DATE 6FEB2021	
DRAWING NUMBER A0		REV 00	
DRAWING TITLE COMPARTMENT SHELF		SCALE NONE WEIGHT (kg) XXX SHEET 3 OF 3	