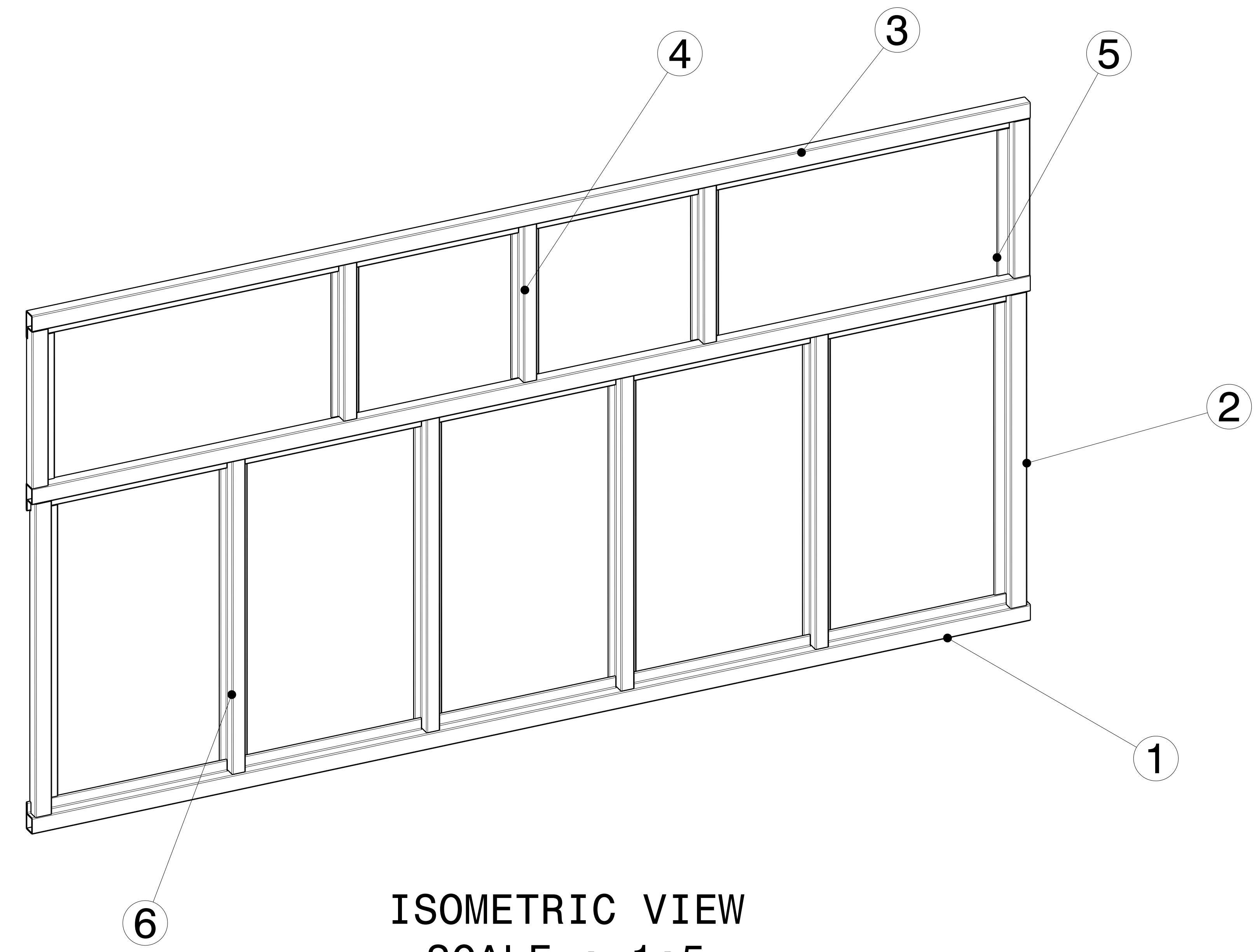


REV	DATE	DESCRIPTION
00	25FEB22021	INITIAL REVISION

NOTES:

- (⊥) ALL VERTICAL SUPPORTS ARE PERPENDICULAR.
- FLATNESS OF .5MM IS APPLIED BY DEFAULT.
- ⊲ WELD BEAD OF 2MM RADIUS IS FOLLOWED.
- ▽▽ SURFACE FINISH MEDIUM TO SMOOTH IS USED.
- ALL TUBES ARE AS PER APL APOLLO STANDARD. CHANGES MAY EFFECT THE LOAD CAPACITY.
- ALL HORIZONTAL AND VERTICAL TUBES ARE PERPENDICULAR TO EACH OTHER WITH ±1 DEG.
- FINE WELDING IS REQUIRED AS PER MENTIONED DETAILS AND FINISHING.
- HIGHER CURRENT WELDING MAY AFFECT THE BRITTLENESS OF MATERIAL WHICH LATER MAY RAISE TO WEAKENING OF STRUCTURE.
- FABRICATORS ARE ALLOWED TO USE FITTINGS/FRAMES/SUPPORTS AS NEEDED AND THE SAME MUST BE COMMUNICATED BACK TO ENGINEERING TEAM.
- BOP COMPONENT WEIGHTS ARE FOR REFERENCE ONLY AND SUBJECTED TO CHANGE PER PURCHASED COMPONENTS.



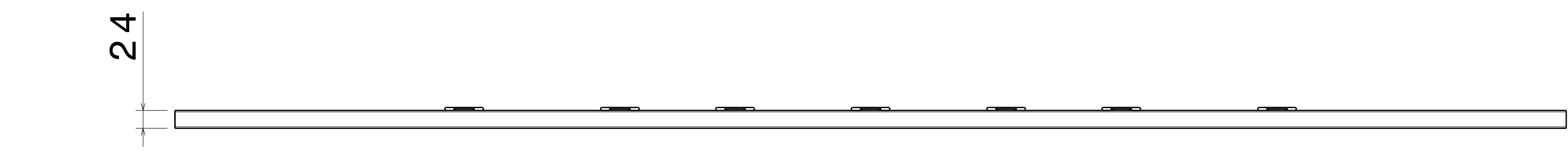
ISOMETRIC VIEW  
SCALE : 1:5

ITEM NO.	PART NUMBER	DESCRIPTION	QTY.	Wt (Kg) /Each
6	T FRAME 2	52 X 25 X 2 X 600	4	1.33
5	L FRAME 4	52 X 24 X 2 X 300	2	0.64
4	T FRAME 1	52 X 25 X 2 X 300	3	0.66
3	L FRAME 3	52X 24 X 2 X 1874	1	4.08
2	L FRAME 2	52 X 24 X 2 X 600	2	1.28
1	L FRAME 1	52 X 24 X 2 X 1874	2	4.07

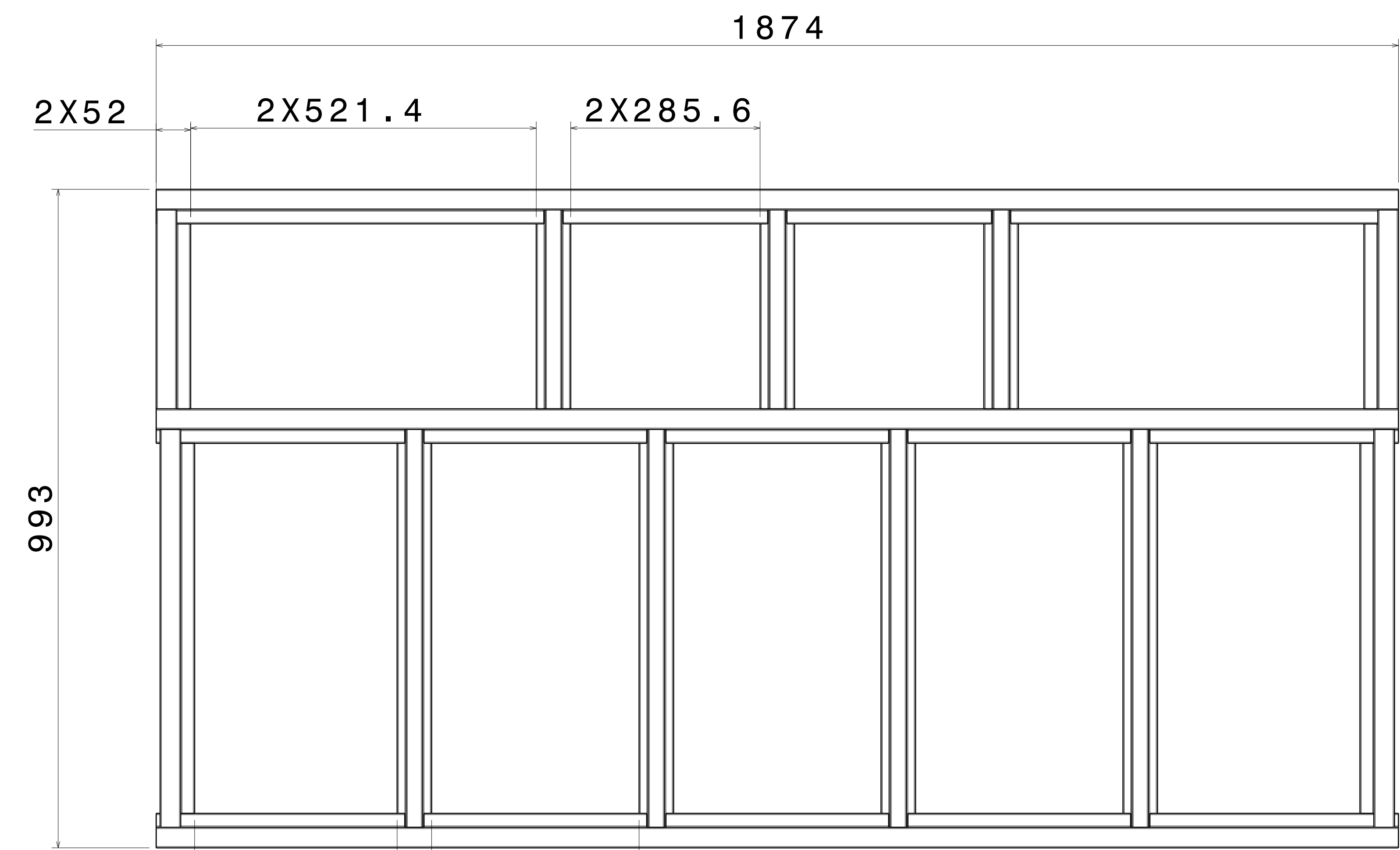
This drawing is our property. It can't be reproduced or communicated without our written agreement.		APL APOLLO TUBES LTD.	
DRAWN BY VM		DATE 25FEB22021	
CHECKED BY P2P Analysis & Solutions		DATE 25FEB22021	
DESIGNED BY P2P Analysis & Solutions		DATE 25FEB22021	
SIZE A0	DRAWING NUMBER P2P FEB21 - 20	REV 00	
SCALE As Indicated	WEIGHT (kg) 0kg	SHEET 1 OF 3	

UNLESS OTHERWISE SPECIFIED DIMENSION ARE IN MM  
VIEWS: THIRD ANGLE PROJECTION

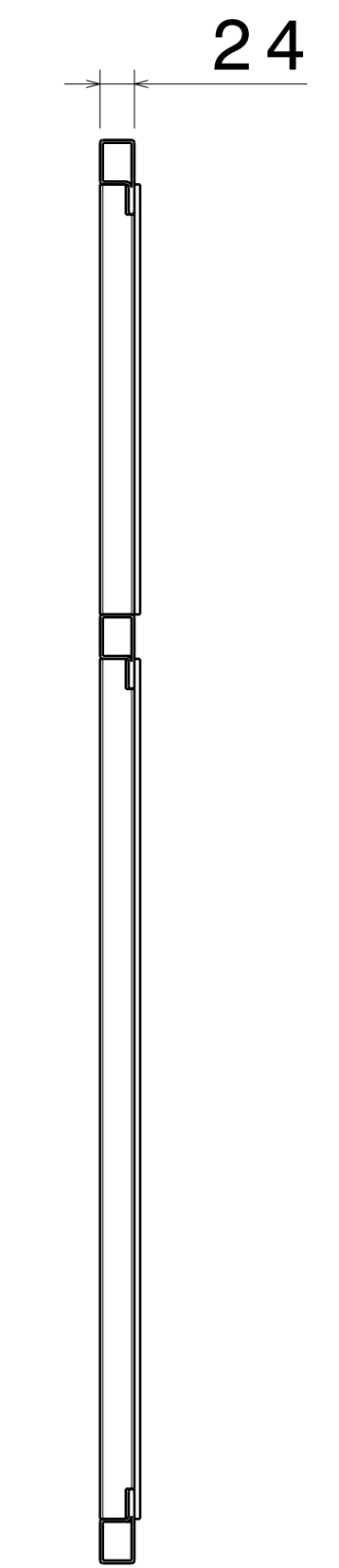
REV	DATE	DESCRIPTION
00	25FEB22021	INITIAL REVISION



TOP VIEW  
SCALE: 1:5

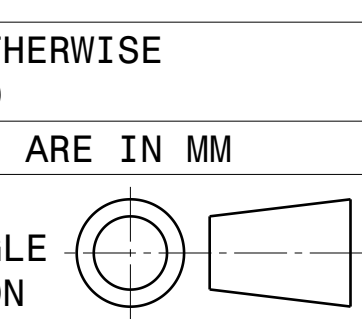



FRONT VIEW  
SCALE: 1:5



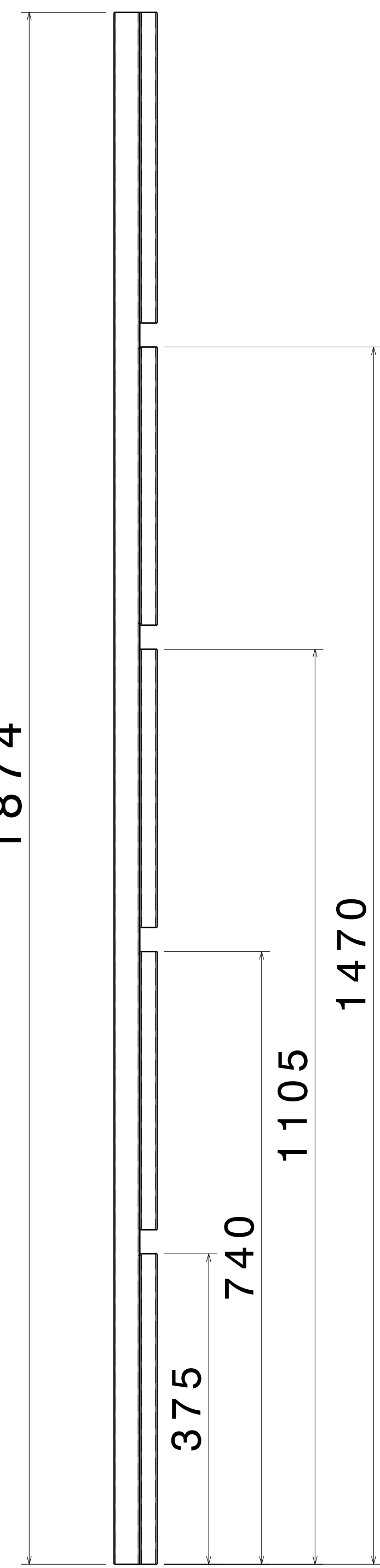
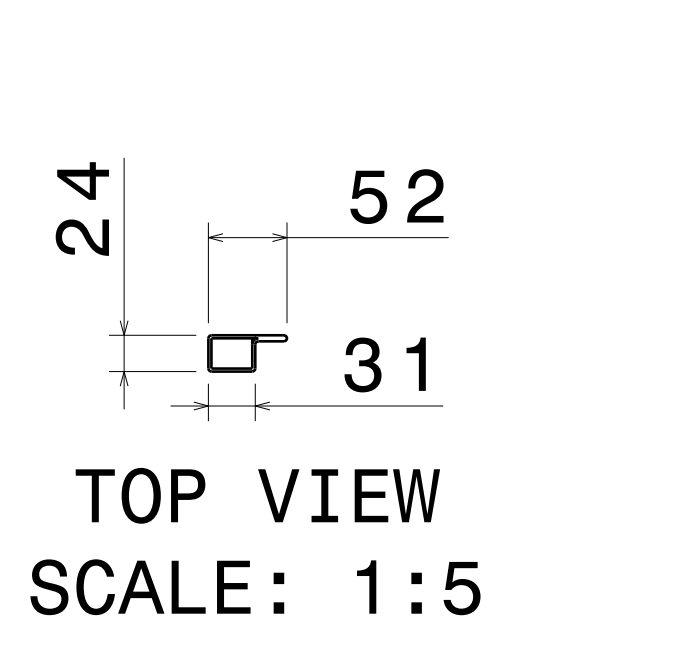
RIGHT VIEW  
SCALE: 1:5

UNLESS OTHERWISE SPECIFIED DIMENSION ARE IN MM  
VIEWS: THIRD ANGLE PROJECTION

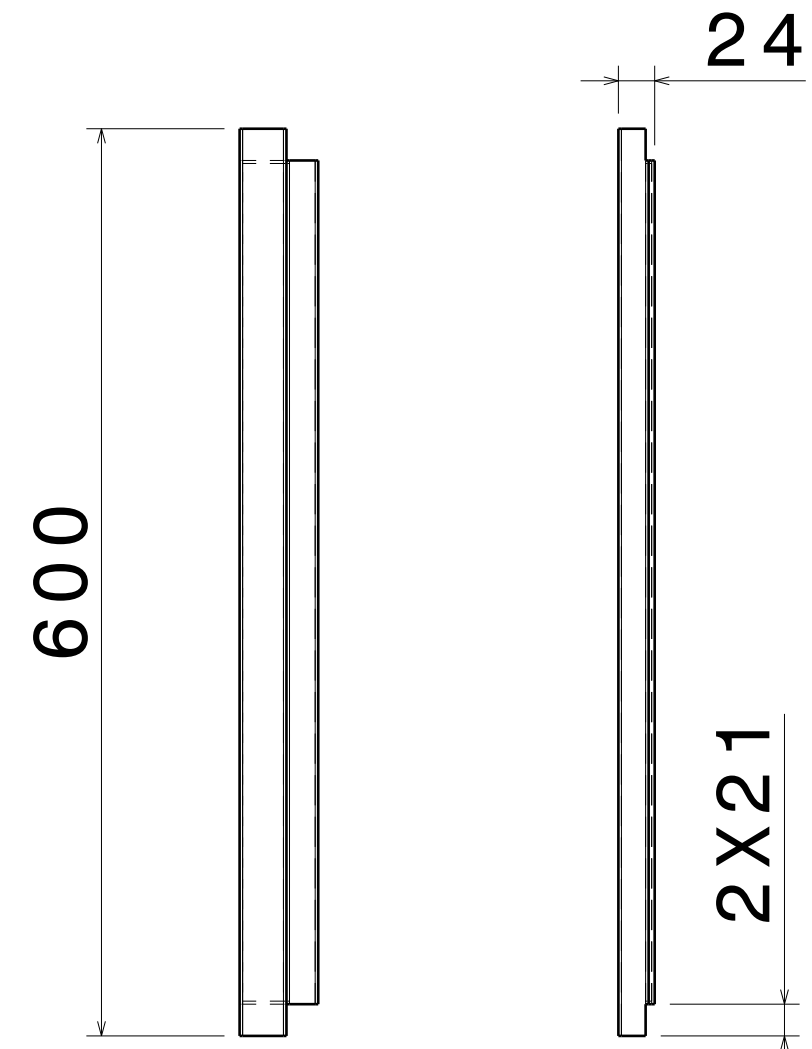
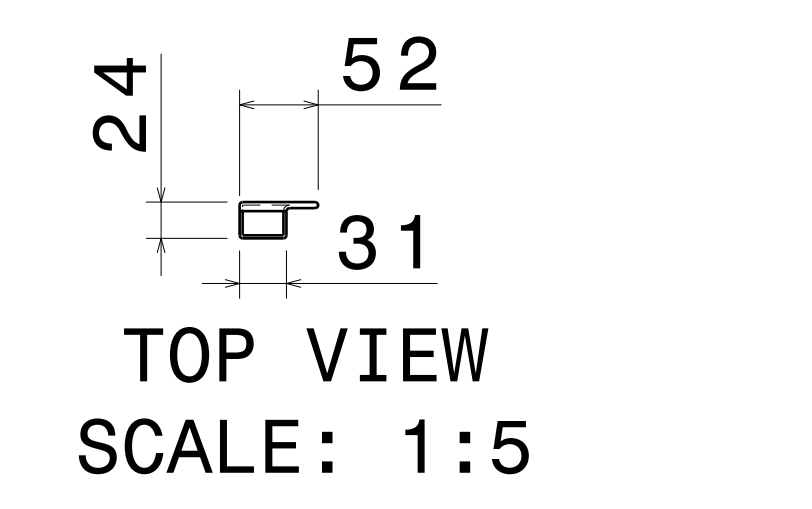


This drawing is our property. It can't be reproduced or communicated without our written agreement.		APL APOLLO TUBES LTD. 	
DRAWN BY SB		DATE 25FEB22021	
CHECKED BY P2P Analysis & Solutions		DATE 25FEB22021	
DESIGNED BY P2P Analysis & Solutions		DATE 25FEB22021	
SIZE A0	DRAWING NUMBER P2P_FEB21 - 20		REV 00
SCALE NONE	WEIGHT (kg)	XXX	SHEET 2 OF 3

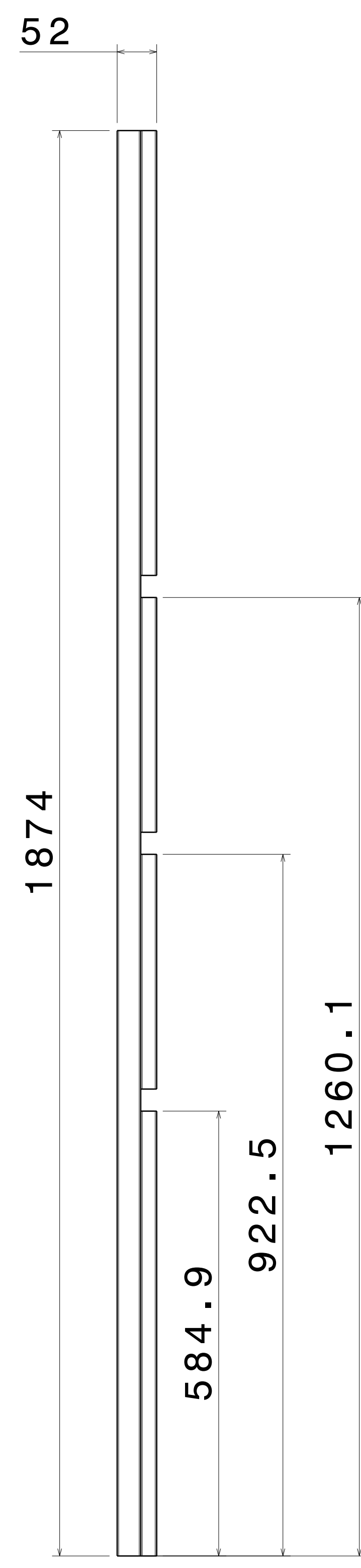
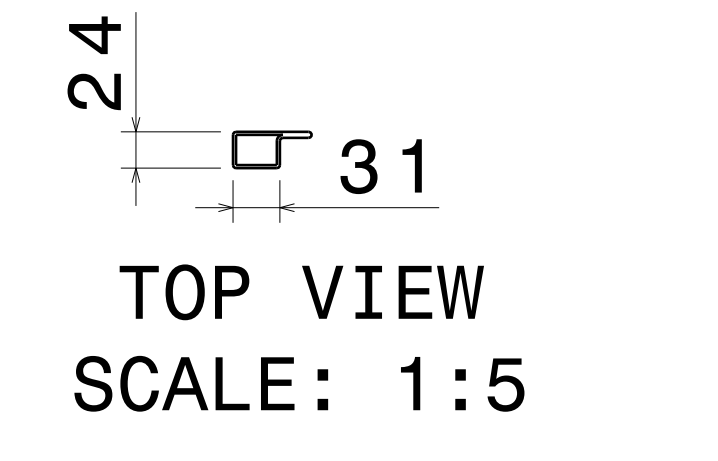
REV	DATE	DESCRIPTION
00	25FEB22021	INITIAL REVISION



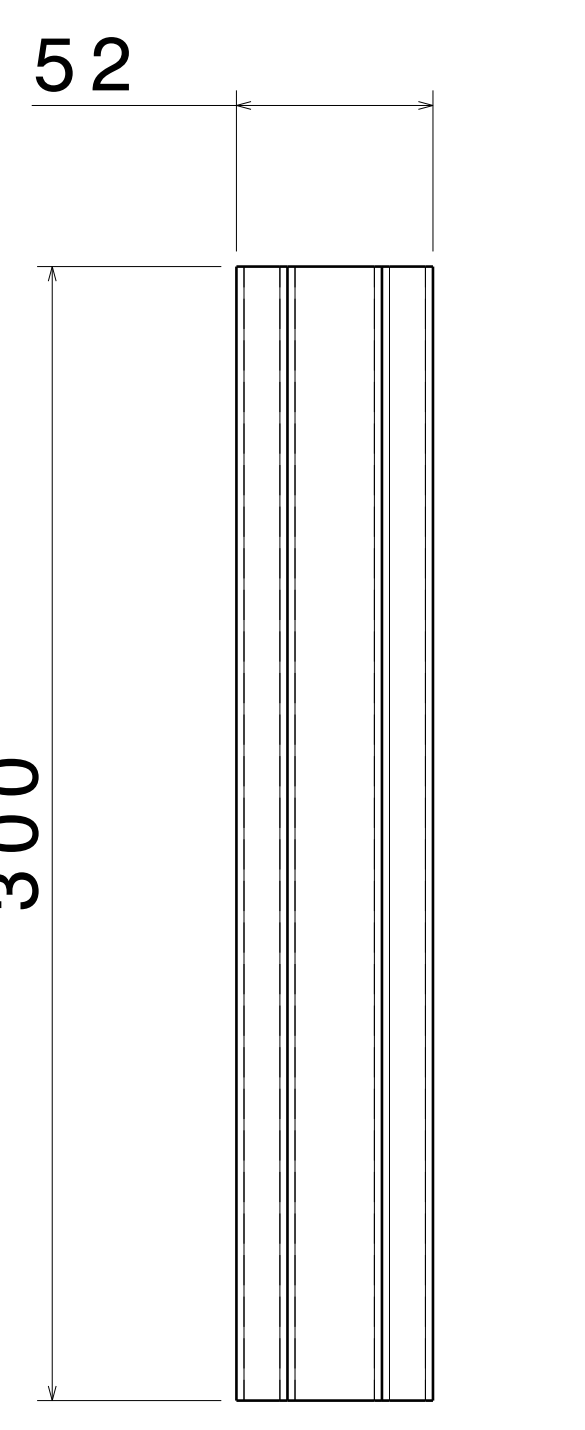
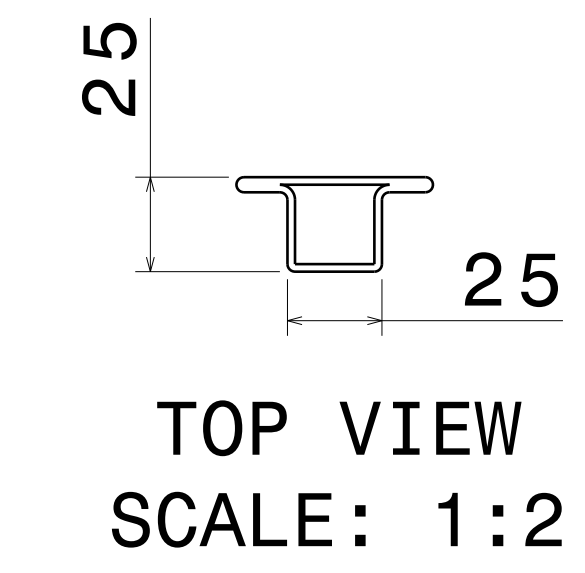
FRONT VIEW  
SCALE: 1:5  
ITEM 1, L FRAME 1  
THICKNESS - 2.0MM



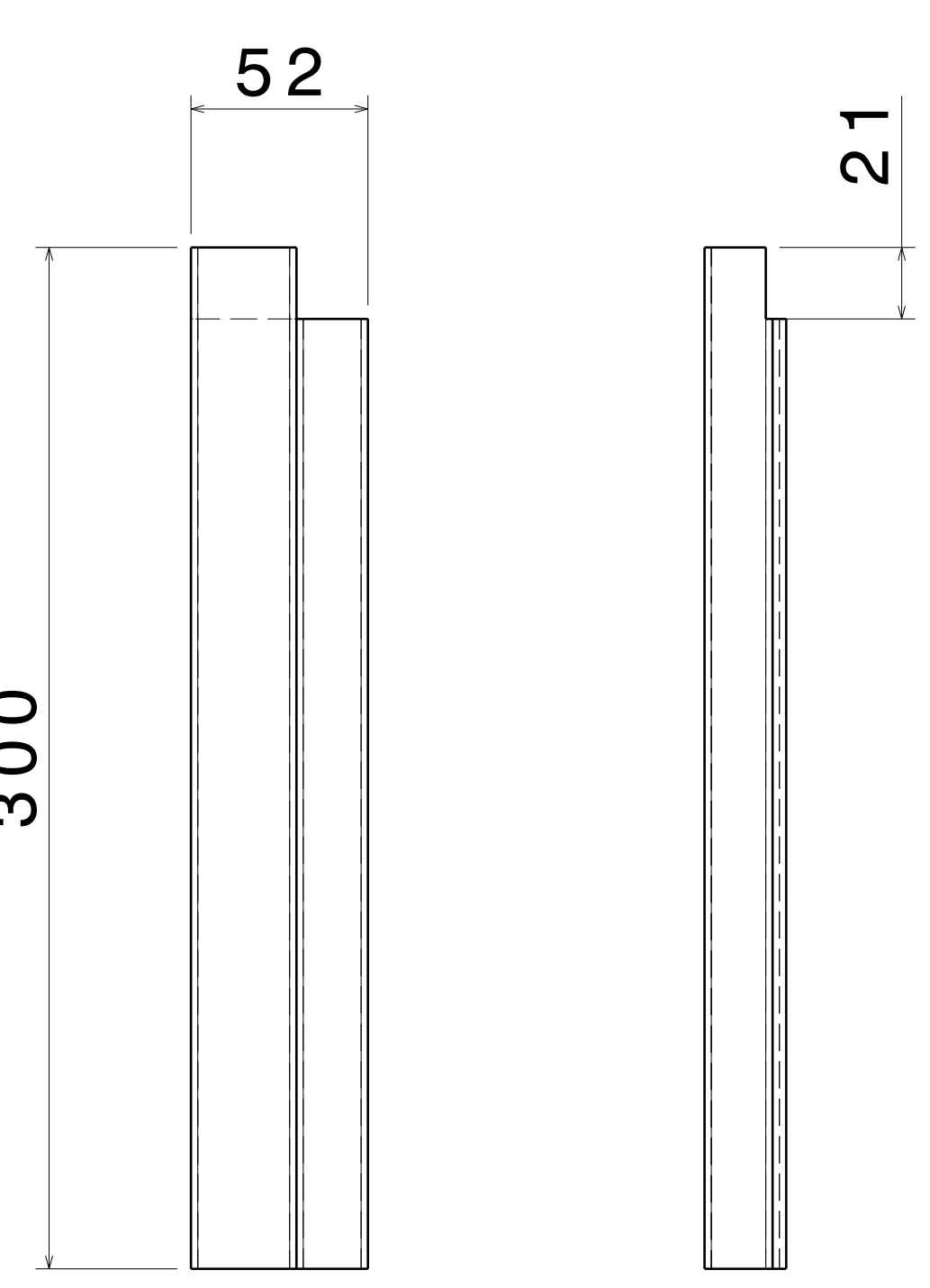
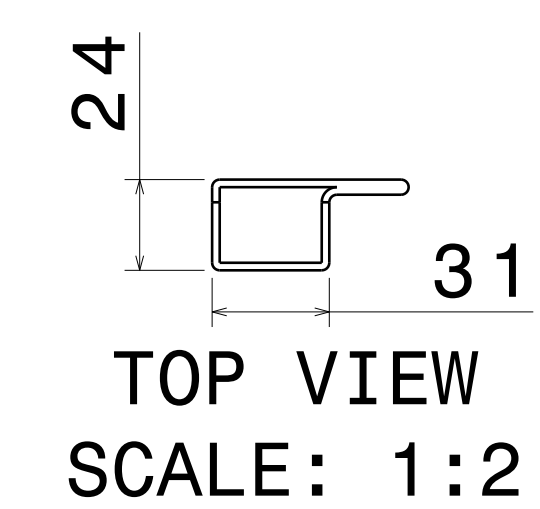
FRONT VIEW RIGHT VIEW  
SCALE: 1:5 SCALE: 1:5  
ITEM 2, L FRAME 2  
THICKNESS - 2.0MM



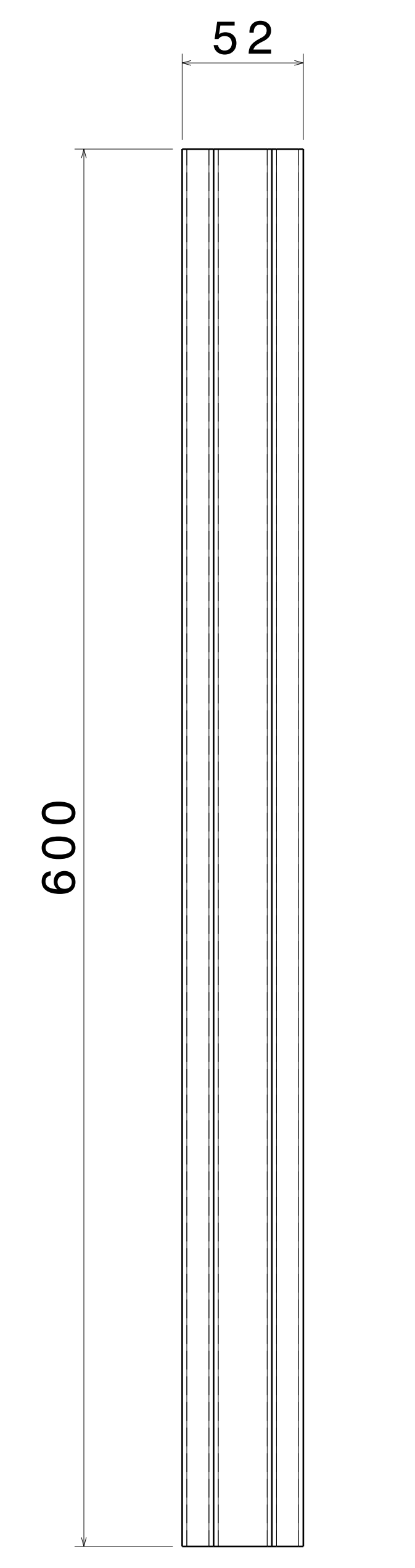
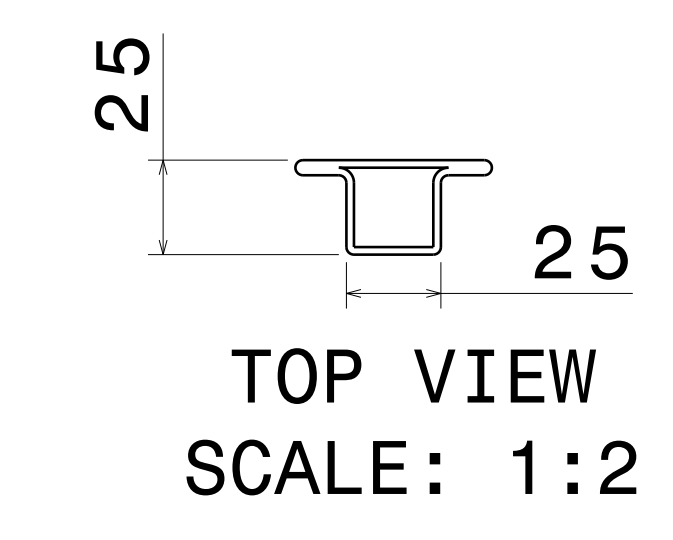
FRONT VIEW  
SCALE: 1:5  
ITEM 3, L FRAME 3  
THICKNESS - 2.0MM



FRONT VIEW  
SCALE: 1:2  
ITEM 4, T FRAME 1  
THICKNESS - 2.0MM



FRONT VIEW RIGHT VIEW  
SCALE: 1:2 SCALE: 1:2  
ITEM 5, L FRAME 4  
THICKNESS - 2.0MM



FRONT VIEW  
SCALE: 1:2  
ITEM 6, T FRAME 2  
THICKNESS - 2.0MM

UNLESS OTHERWISE SPECIFIED DIMENSION ARE IN MM VIEWS: THIRD ANGLE PROJECTION

This drawing is our property. It can't be reproduced or communicated without our written agreement.		APL APOLLO TUBES LTD.	
DRAWN BY: SB		DATE: 25FEB22021	
CHECKED BY: P2P Analysis & Solutions		DATE: 25FEB22021	
DESIGNED BY: P2P Analysis & Solutions		DATE: 25FEB22021	
SIZE: A0	DRAWING NUMBER: P2P_FEB21-20	REV: 00	
SCALE: NONE	WEIGHT (kg): XXX	SHEET 3 OF 3	