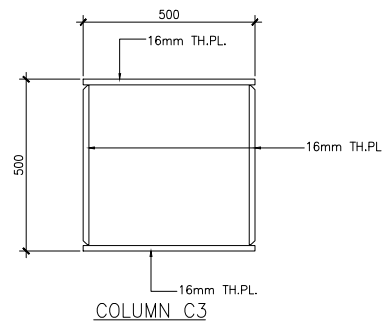
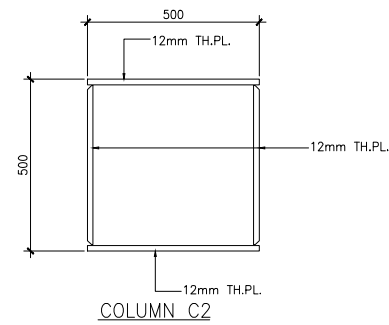
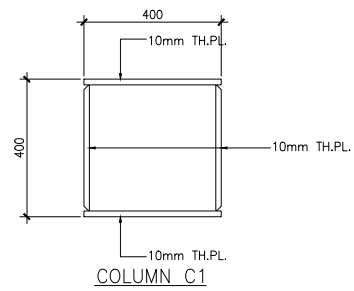


| MEMBER SIZE SCHEDULE |                |
|----------------------|----------------|
| MARK                 | DISCRIPTION    |
| MB-1                 | RHS-400x200x8  |
| MB-2                 | RHS-400x300x14 |
| MB-3                 | RHS-300x150x8  |
| MB-4                 | RHS-280x100x5  |
| MB-5                 | RHS-400x200x10 |
| MB-6                 | RHS-500x300x14 |



**NOTES**

- THIS DRG. TO BE READ IN CONJUNCTION WITH RELEVANT ARCHITECTURAL DRAWINGS.
- DOUBTS/DISCREPANCIES IF ANY, MUST BE GOT CLARIFIED BEFORE CUTTING & FABRICATION WORK.
- ONLY WRITTEN DIMENSIONS SHOULD BE FOLLOWED.
- STRUCTURAL STEEL AND PLATES SHALL CONFORM TO IS:2062
- FABRICATION AND ERECTION SHALL CONFORM TO IS:800.
- WELDING ELECTRODE SHALL CONFORM TO IS:814.
- ALL WELDING SHALL BE DONE AS PER IS:816.
- ALL WELDS TO BE CONTINUOUS FILLET, UNLESS SPECIFIED OTHERWISE, OF THICKNESS AS/TABLE BELOW

| MATERIAL THICKNESS OF THINNER PART JOINTED (mm) | SIZE OF FILLET WELD (mm) |
|---|--------------------------|
| 6mm   | 4.0                      |
| 8mm   | 6.0                      |
| 10mm  | 8.0                      |
| 12mm  | 10.0                     |
| 16mm  | 12.0                     |
| 20mm  | 16.0                     |
| 25mm  | 18.0                     |

9. FABRICATION OF ALL DIAGONAL MEMBERS AND GUSSET PLATES TO BE DONE BY FULL SCALE SHOP LAYOUT.

CONTRACTOR TO SUBMIT FABRICATION DRGS. FOR APPROVAL BEFORE EXECUTION AT SITE

CAMBER TO BE PROVIDED L/350 TO ALL MEMBERS OF LENGTH >6.0m

GRADE OF STEEL TO BE USED E-350

| REV.NO | DATE | DESCRIPTION |
|--------|------|-------------|
|        |      |             |
|        |      |             |
|        |      |             |

| REVISIONS |  |  |
|-----------|--|--|
|           |  |  |

STRUCTURAL STEEL PARTNER



DRAWING TITLE:

**TYPICAL FLOOR FRAMING PLAN**

| PROJECT CODE      | REVISION    |
|-------------------|-------------|
| DATE : 26.08.2021 |             |
| DRAWN BY : AMEER  | RO          |
| CHKD BY : RAJAN   | DRAWING NO. |
| SCALE : 1:100     |             |