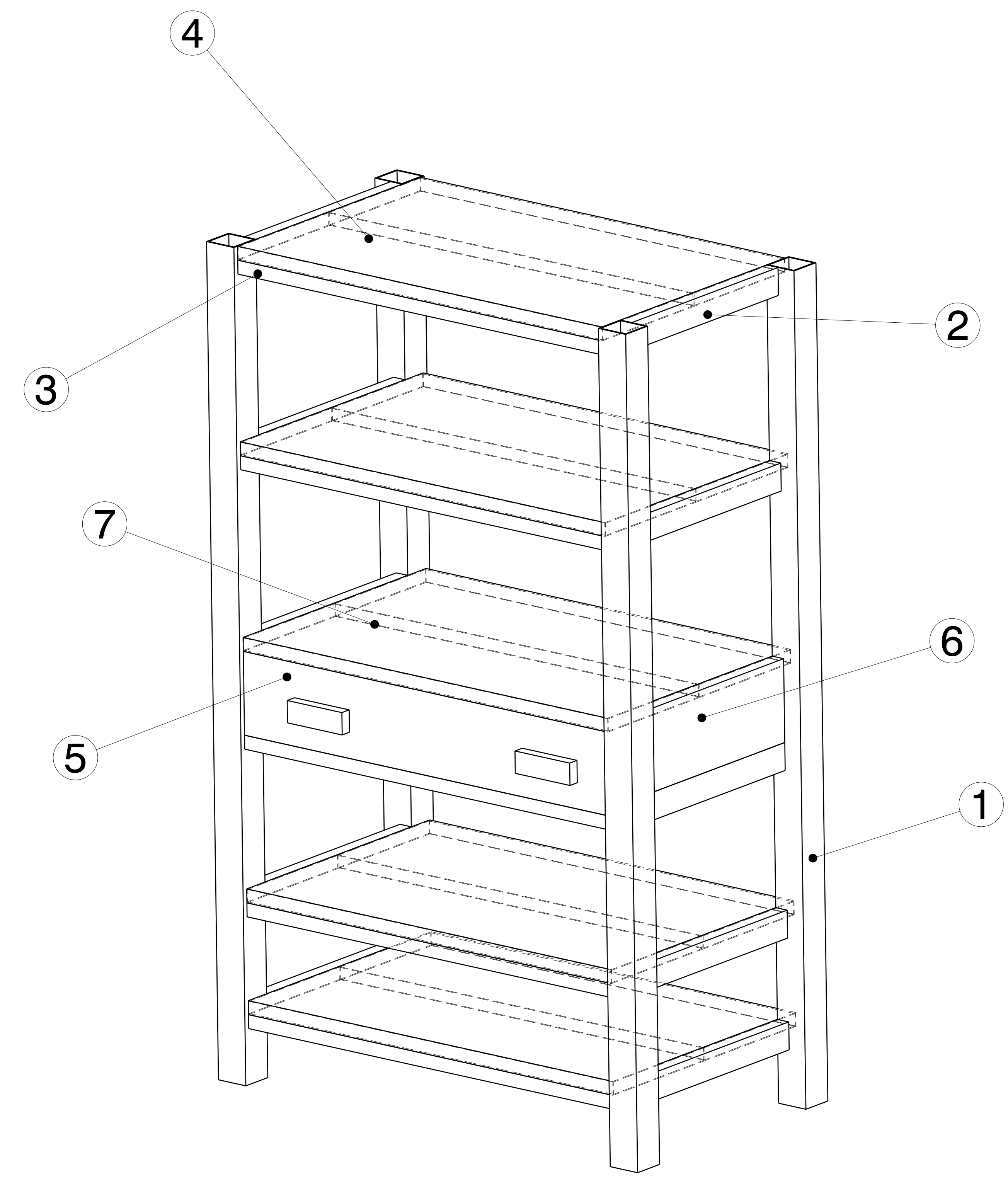


REV	DATE	DESCRIPTION
00	10JAN2021	INITIAL REVISION

NOTES:

- (⊥) ALL VERTICAL SUPPORTS ARE PERPENDICULAR.
- FLATNESS OF .5MM IS APPLIED BY DEFAULT.
- ⊲ WELD BEAD OF 2MM RADIUS IS FOLLOWED.
- ▽▽ SURFACE FINISH MEDIUM TO SMOOTH IS USED.
- ALL TUBES ARE AS PER APL APOLLO STANDARD. CHANGES MAY EFFECT THE LOAD CAPACITY.
- ALL HORIZONTAL AND VERTICAL TUBES ARE PERPENDICULAR TO EACH OTHER WITH ±1 DEG.
- FINE WELDING IS REQUIRED AS PER MENTIONED DETAILS AND FINISHING.
- HIGHER CURRENT WELDING MAY AFFECT THE BRITTLENESS OF MATERIAL WHICH LATER MAY RAISE TO WEAKENING OF STRUCTURE.
- FABRICATORS ARE ALLOWED TO USE FITTINGS/FRAMES/SUPPORTS AS NEEDED AND THE SAME MUST BE COMMUNICATED BACK TO ENGINEERING TEAM.
- BOP COMPONENT WEIGHTS ARE FOR REFERENCE ONLY AND SUBJECTED TO CHANGE PER PURCHASED COMPONENTS.



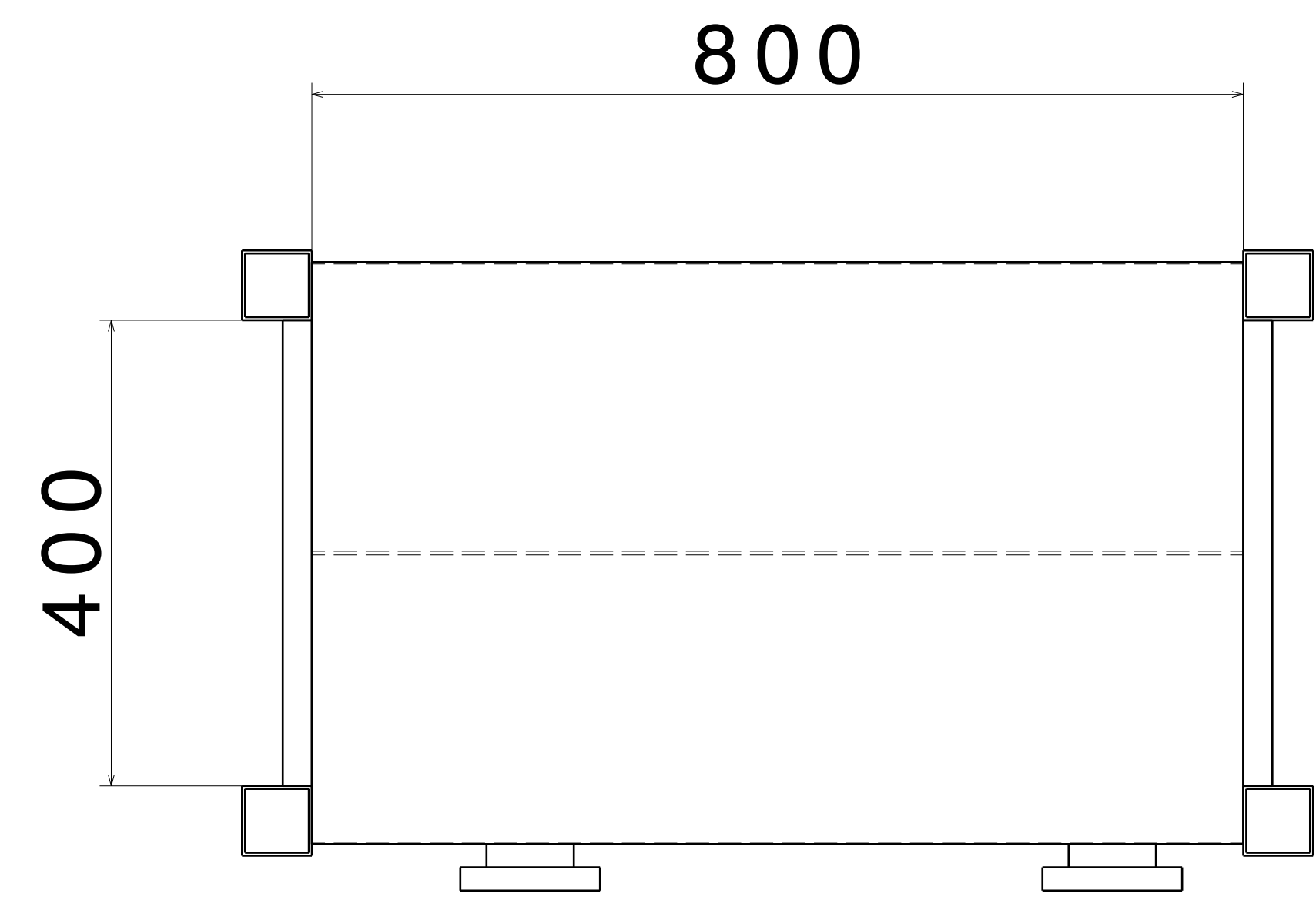
ISOMETRIC VIEW
SCALE:1:5

ITEM NO.	PART NUMBER	DESCRIPTION	QTY.	Wt (Kg)/Each
7	RHS PLANK 4	225 X 25 X 1.6 X 800	2	4.97
6	RHS PLANK 3	150 X 25 X 1.6 X 400	2	1.73
5	RHS PLANK 2	150 X 25 X 1.6 X 800	2	3.46
4	RHS PLANK 1	250 X 25 X 1.6 X 800	10	5.47
3	SHS FRAME 2	25 X 25 X 1.6 X 800	10	0.94
2	RHS FRAME 1	50 X 25 X 2.0 X 400	10	0.89
1	SHS FRAME 1	600 X 60 X 2.6 X 1500	4	7.04

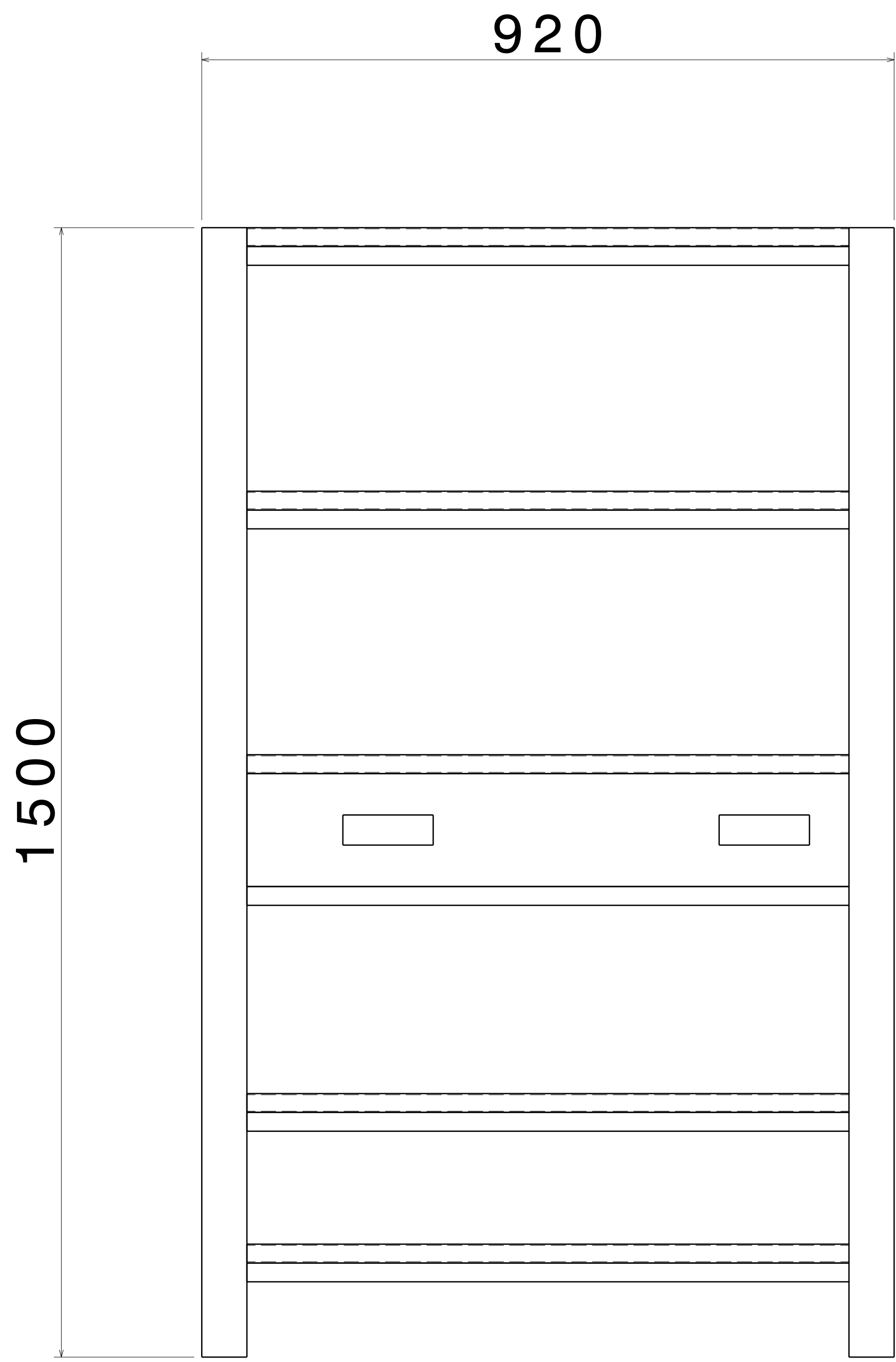
This drawing is our property. It can't be reproduced or communicated without our written agreement.		APL APOLLO TUBES LTD.	
DRAWN BY VM		DATE 10JAN2021	
CHECKED BY P2P Analysis & Solutions		DATE 10JAN2021	
DESIGNED BY P2P Analysis & Solutions		DATE 10JAN2021	
DRAWING TITLE JAN21 - 1		SIZE A0	DRAWING NUMBER P2P JAN21 - 1
SCALE As Indicated		WEIGHT (kg) 0kg	REV 00
		SHEET 1 OF 3	

UNLESS OTHERWISE SPECIFIED DIMENSION ARE IN MM
VIEWS: THIRD ANGLE PROJECTION

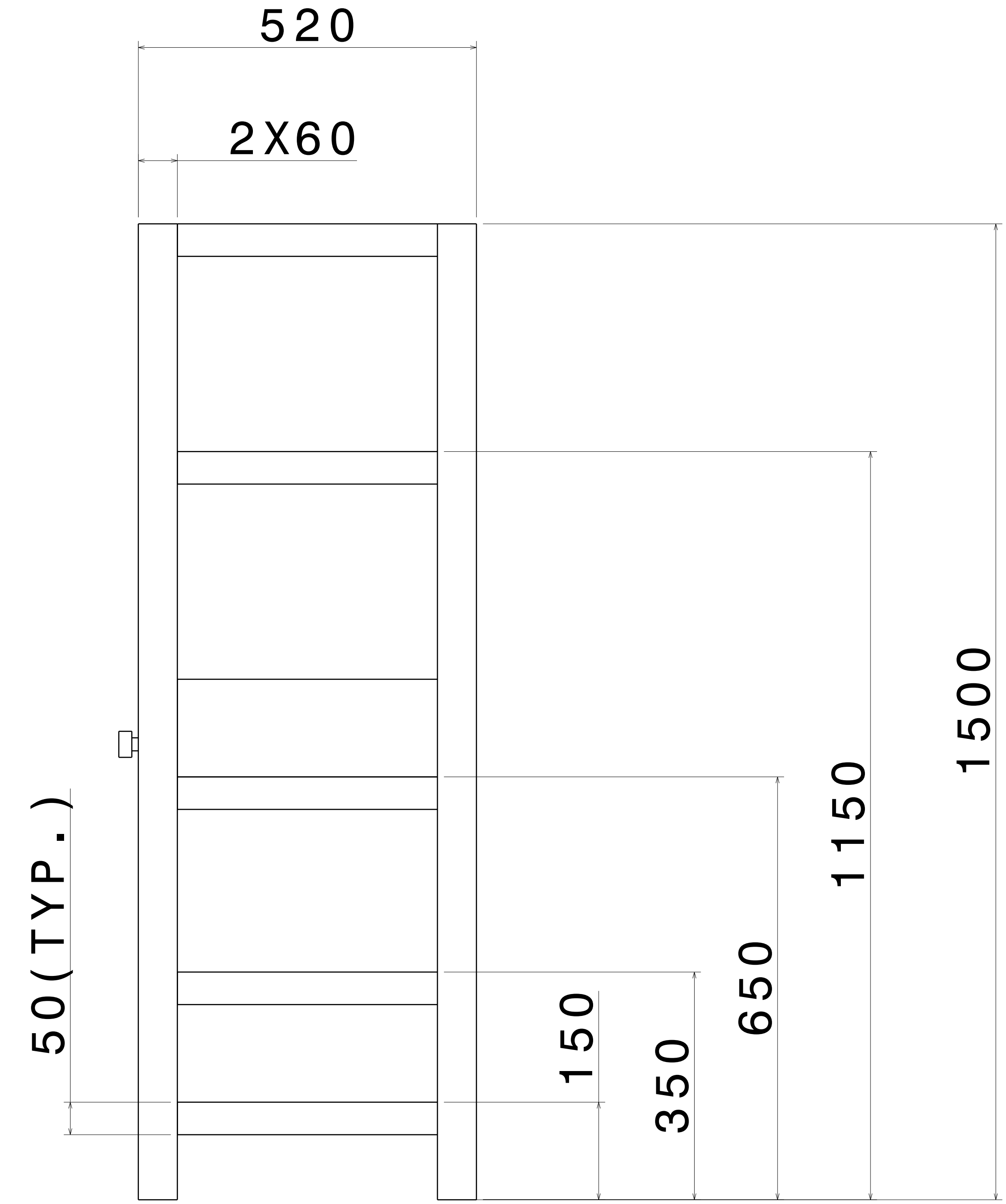
REV	DATE	DESCRIPTION
00	10JAN2021	INITIAL REVISION



TOP VIEW
SCALE: 1:5

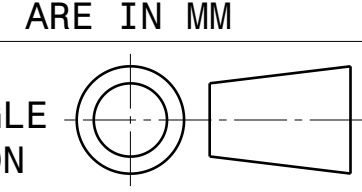



FRONT VIEW
SCALE: 1:5



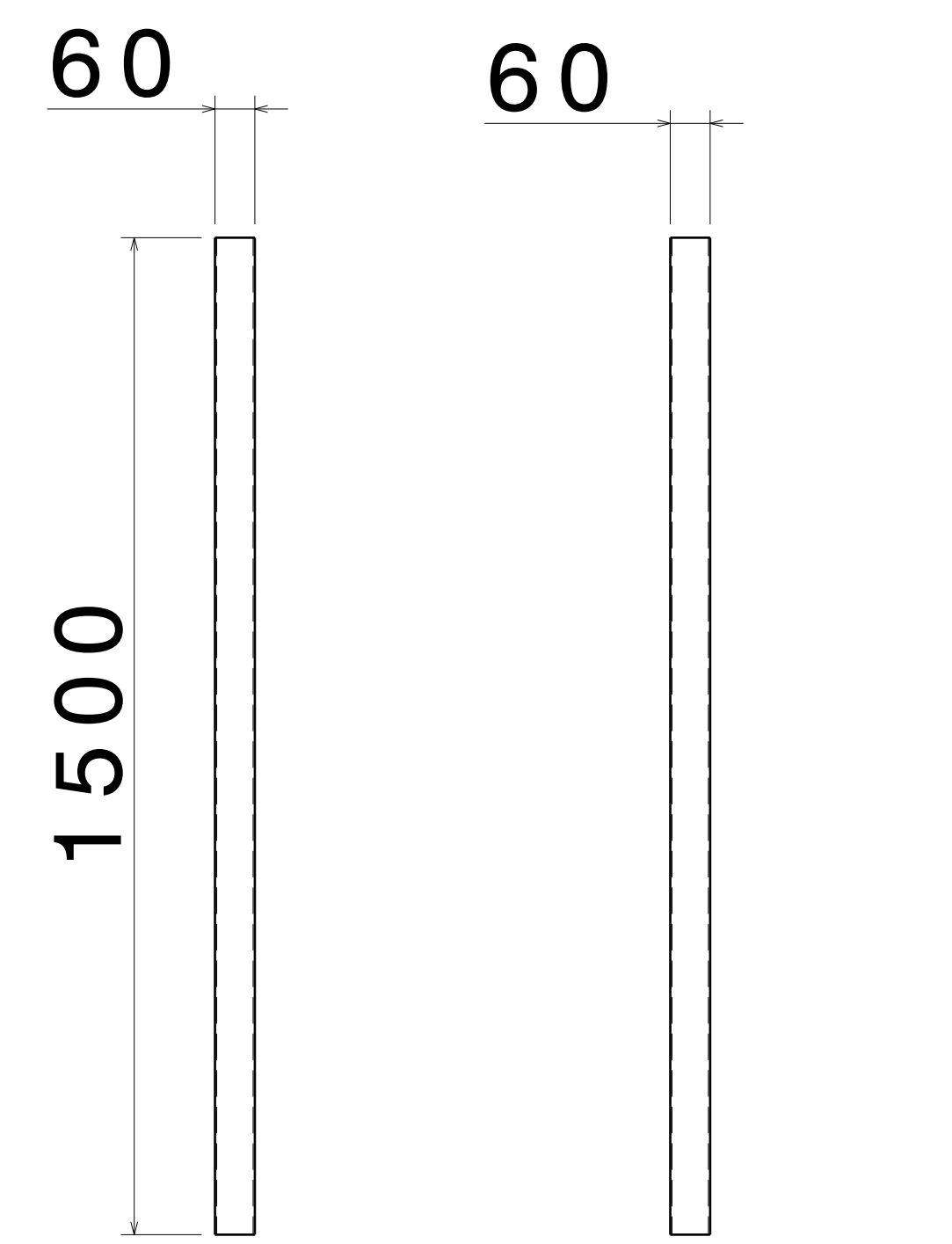
RIGHT VIEW
SCALE: 1:5

UNLESS OTHERWISE SPECIFIED DIMENSION ARE IN MM
VIEWS: THIRD ANGLE PROJECTION

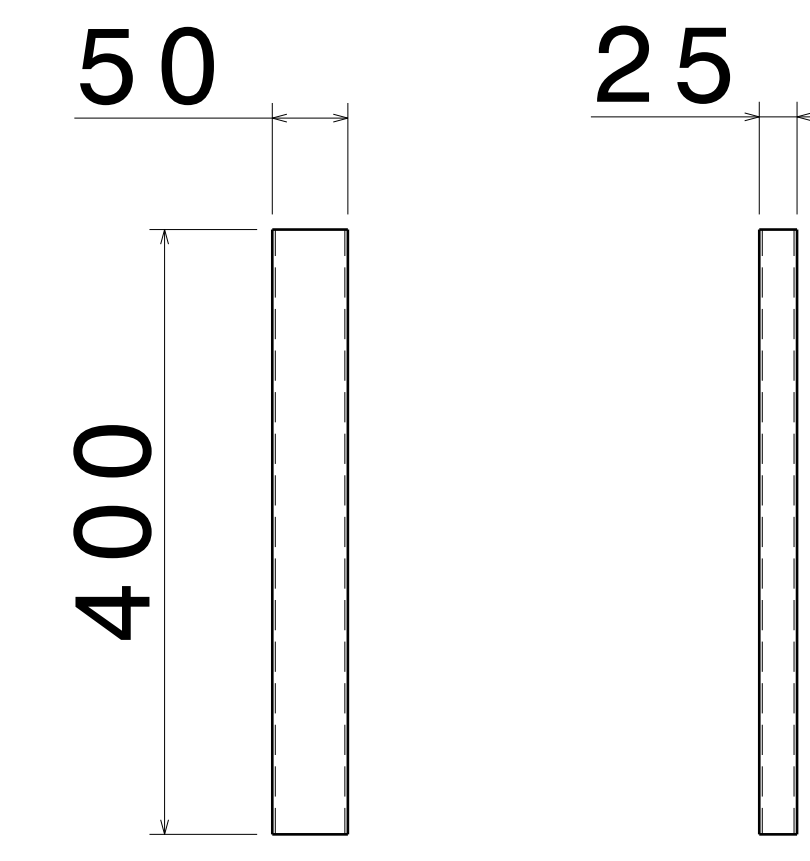


This drawing is our property. It can't be reproduced or communicated without our written agreement.		APL APOLLO TUBES LTD. 	
DRAWN BY SB		DATE 10JAN2021	
CHECKED BY P2P Analysis & Solutions		DATE 10JAN2021	
DESIGNED BY P2P Analysis & Solutions		DATE 10JAN2021	
DRAWING TITLE JAN21-1		SIZE A0	DRAWING NUMBER P2P JAN21-1
SCALE NONE		WEIGHT (kg) XXX	REV 00
		SHEET 2 OF 3	

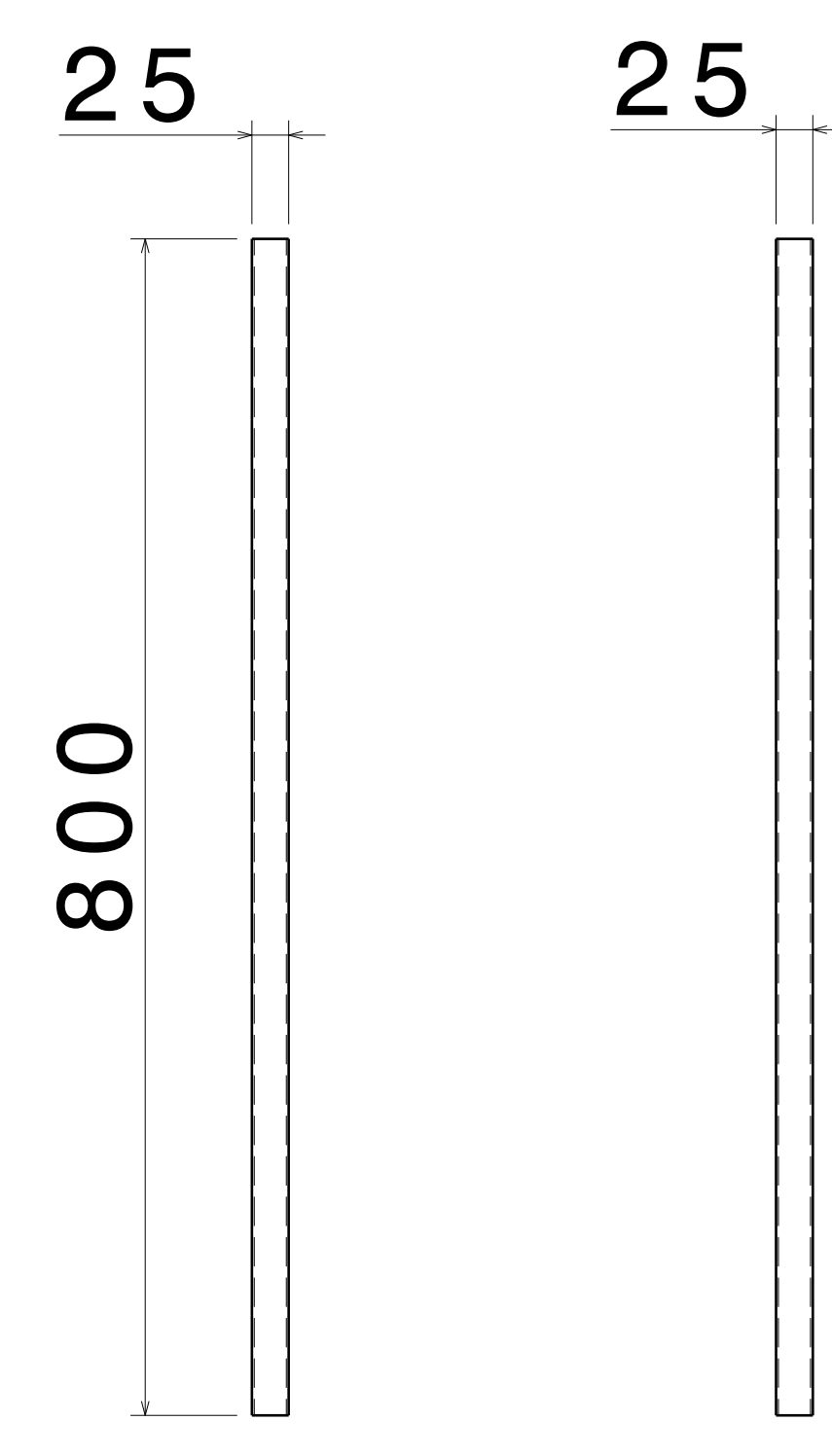
REV	DATE	DESCRIPTION
00	10JAN2021	INITIAL REVISION



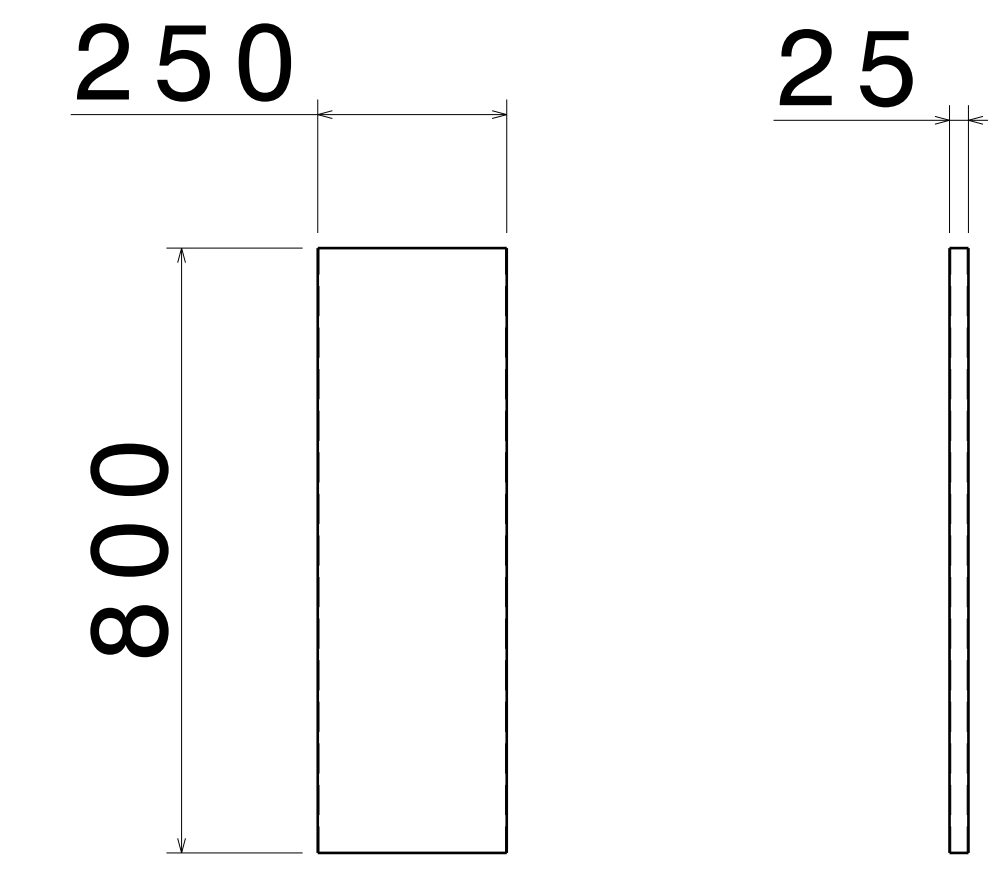
FRONT VIEW RIGHT VIEW
SCALE: 1:10 SCALE: 1:10
ITEM 1, SHS FRAME 1
THICKNESS - 2.6MM



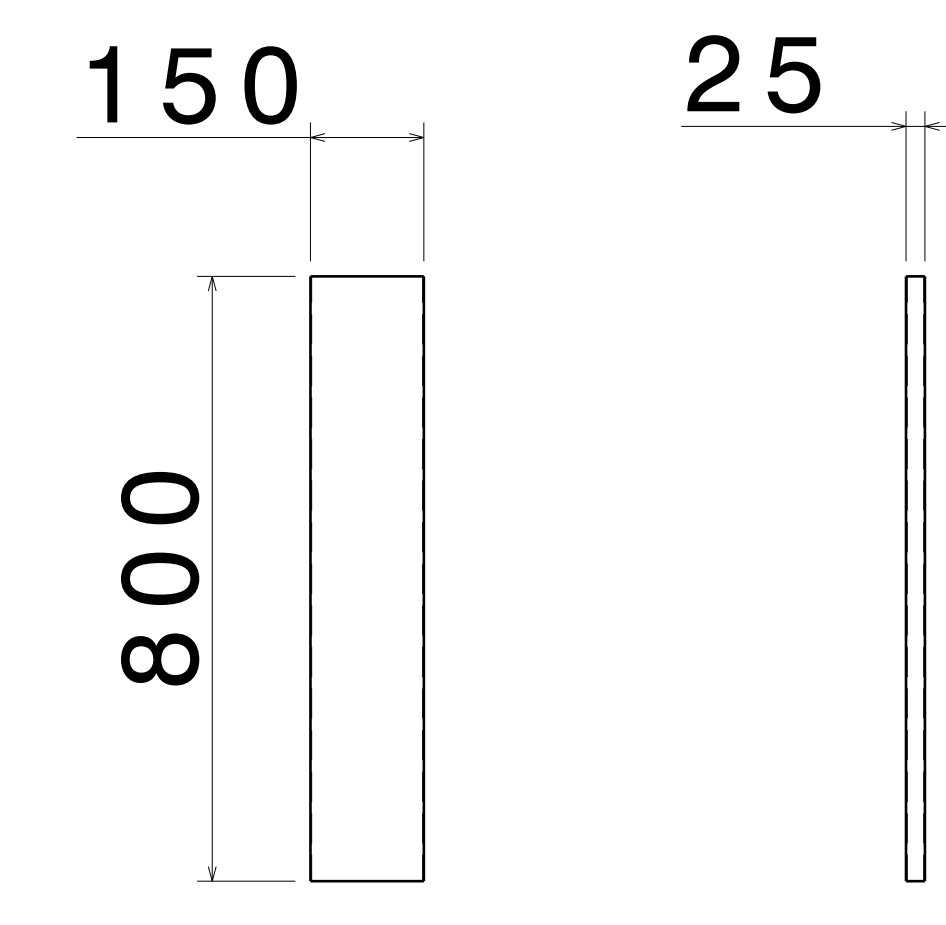
FRONT VIEW RIGHT VIEW
SCALE: 1:5 SCALE: 1:5
ITEM 1, RHS FRAME 1
THICKNESS - 2.0MM



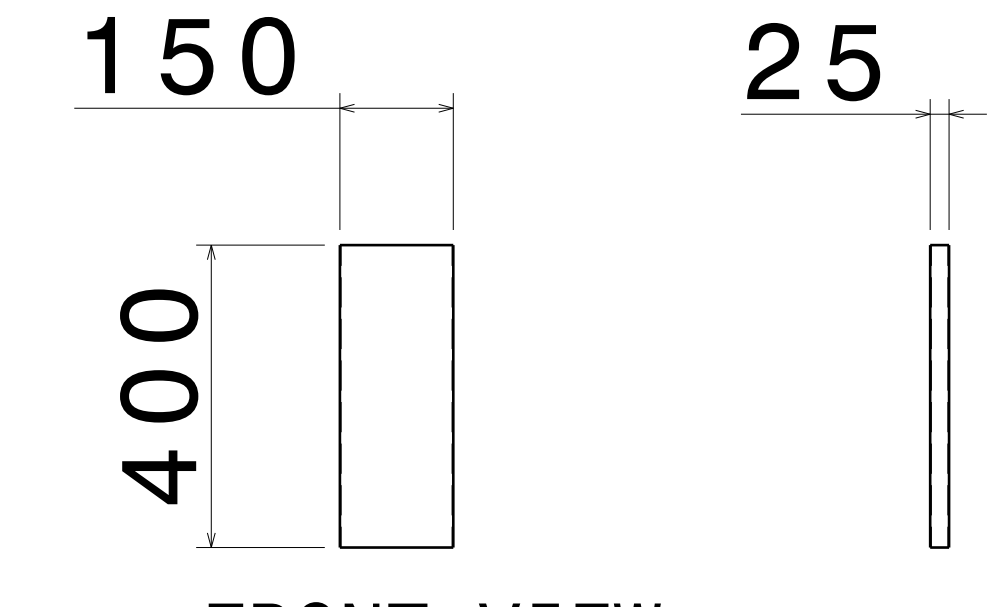
FRONT VIEW RIGHT VIEW
SCALE: 1:5 SCALE: 1:5
ITEM 3, SHS FRAME 2
THICKNESS - 1.6MM



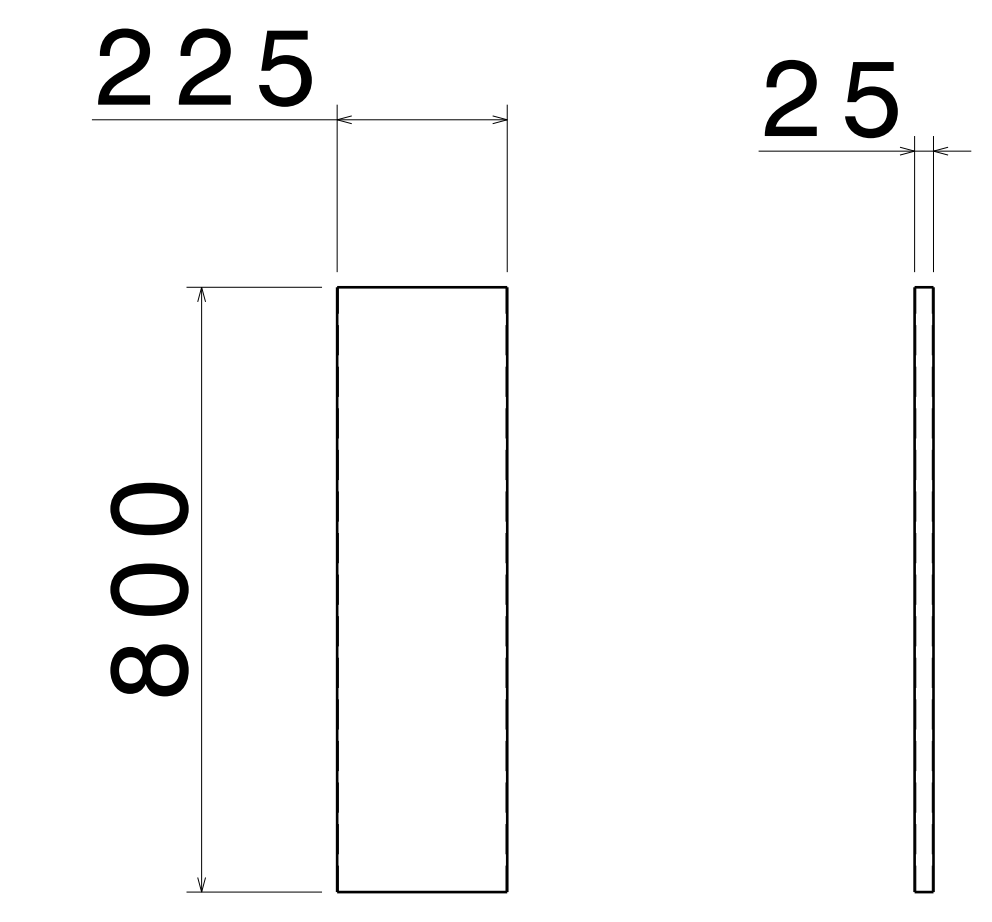
FRONT VIEW RIGHT VIEW
SCALE: 1:10 SCALE: 1:10
ITEM 4, RHS PLANK 1
THICKNESS - 1.6 MM



FRONT VIEW RIGHT VIEW
SCALE: 1:10 SCALE: 1:10
ITEM 5, RHS PLANK 2
THICKNESS - 1.6 MM



FRONT VIEW RIGHT VIEW
SCALE: 1:10 SCALE: 1:10
ITEM 6, RHS PLANK 3
THICKNESS - 1.6 MM



FRONT VIEW RIGHT VIEW
SCALE: 1:10 SCALE: 1:10
ITEM 7, RHS PLANK 4
THICKNESS - 1.6 MM

UNLESS OTHERWISE SPECIFIED DIMENSION ARE IN MM
VIEWS: THIRD ANGLE PROJECTION

This drawing is our property. It can't be reproduced or communicated without our written agreement.		APL APOLLO TUBES LTD.	
DRAWN BY SB		DATE 10JAN2021	
CHECKED BY P2P Analysis & Solutions		DATE 10JAN2021	
DESIGNED BY P2P Analysis & Solutions		DATE 10JAN2021	
DRAWING TITLE JAN21 - 1		SIZE A0	DRAWING NUMBER P2P JAN21 - 1
SCALE NONE		WEIGHT (kg) XXX	REV 00
		SHEET 3 OF 3	