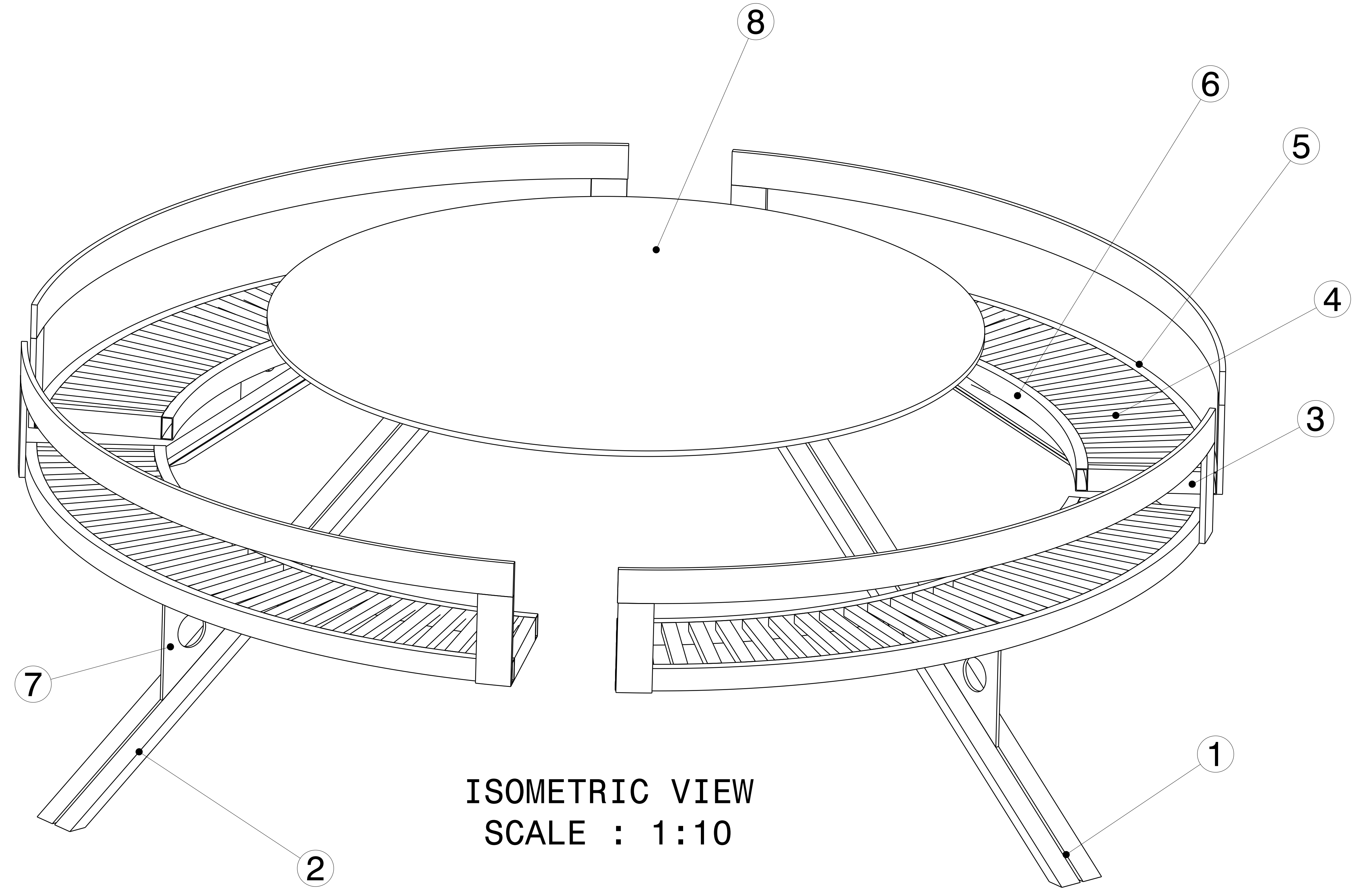


REV	DATE	DESCRIPTION
00	24JAN2021	INITIAL REVISION

- NOTES:
- (⊥) ALL VERTICAL SUPPORTS ARE PERPENDICULAR.
 - FLATNESS OF .5MM IS APPLIED BY DEFAULT.
 - ⊲ WELD BEAD OF 2MM RADIUS IS FOLLOWED.
 - ▽▽ SURFACE FINISH MEDIUM TO SMOOTH IS USED.
 - ALL TUBES ARE AS PER APL APOLLO STANDARD. CHANGES MAY EFFECT THE LOAD CAPACITY.
 - ALL HORIZONTAL AND VERTICAL TUBES ARE PERPENDICULAR TO EACH OTHER WITH ±1 DEG.
 - FINE WELDING IS REQUIRED AS PER MENTIONED DETAILS AND FINISHING.
 - HIGHER CURRENT WELDING MAY AFFECT THE BRITTLENESS OF MATERIAL WHICH LATER MAY RAISE TO WEAKENING OF STRUCTURE.
 - FABRICATORS ARE ALLOWED TO USE FITTINGS/FRAMES/SUPPORTS AS NEEDED AND THE SAME MUST BE COMMUNICATED BACK TO ENGINEERING TEAM.
 - BOP COMPONENT WEIGHTS ARE FOR REFERENCE ONLY AND SUBJECTED TO CHANGE PER PURCHASED COMPONENTS.



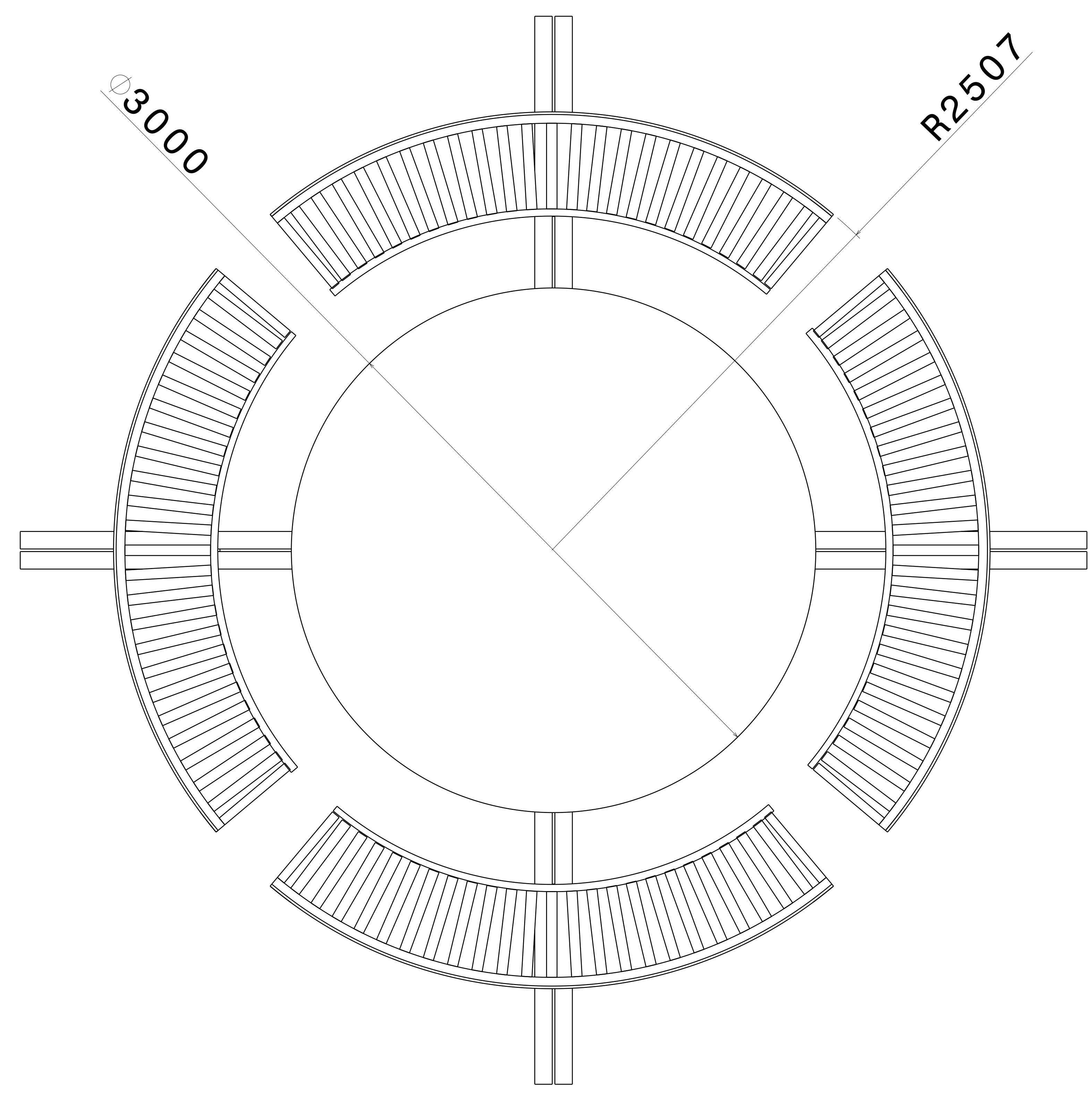
ISOMETRIC VIEW
SCALE : 1:10

ITEM NO.	PART NUMBER	DESCRIPTION	QTY.	Wt (Kg) /Each
8	BOP FRAME	-----	4	12.5
7	BOP CIRCULAR FRAME	DIA 3000 X 25 THK	1	1389
6	RHS FRAME 6	100 X 50 X 4 X 2740.9	4	24.0
5	RHS FRAME 5	100 X 50 X 4 X 3479.5	4	30.76
4	RHS FRAME 4	60 X 40 X 2.6 X 490	92	1.9
3	RHS FRAME 3	100 X 50 X 4 X 490	8	4.38
2	RHS FRAME 2	100 X 50 X 4 X 3615.4	2	62.64
1	RHS FRAME 1	100 X 50 X 4 X 3400.4	4	30.36

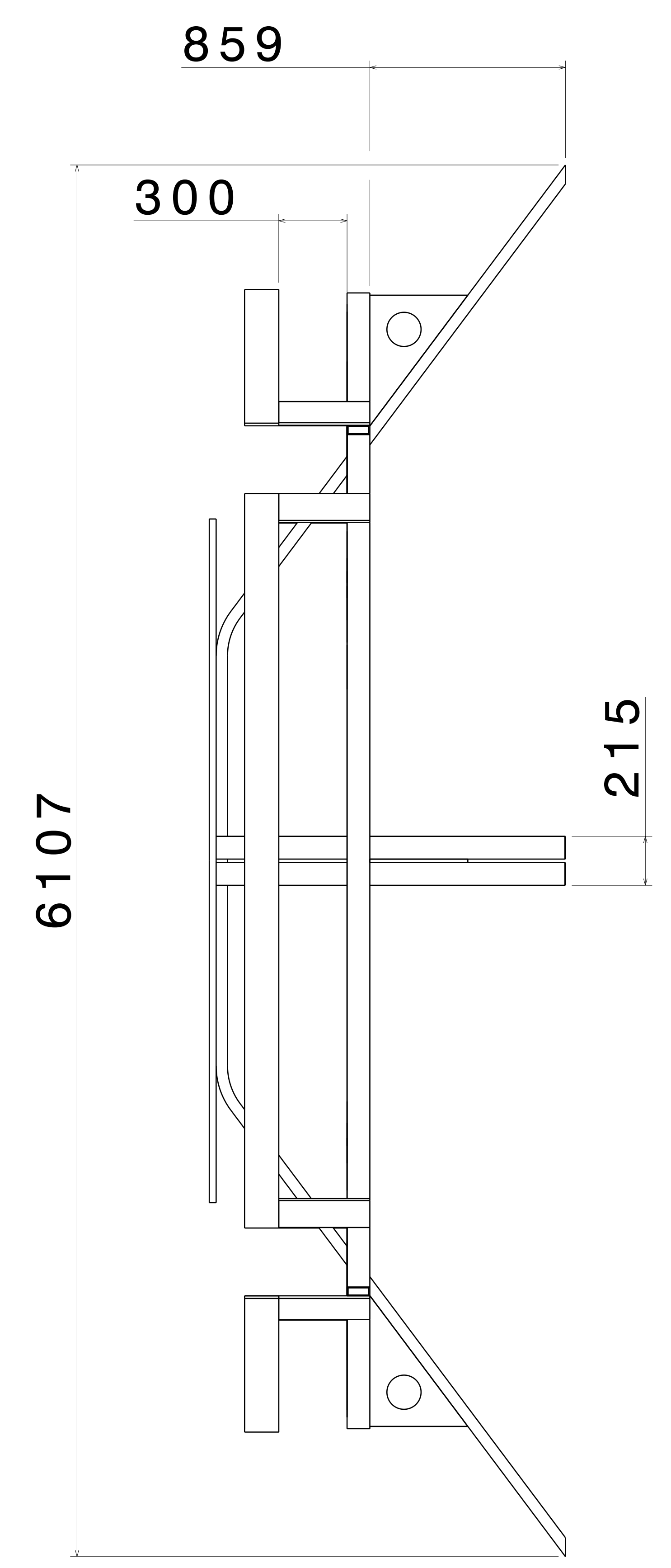
This drawing is our property. It can't be reproduced or communicated without our written agreement.		APL APOLLO TUBES LTD.	
DRAWN BY		DATE	
VM		24JAN2021	
CHECKED BY		DATE	
P2P Analysis & Solutions		24JAN2021	
DESIGNED BY		DATE	
P2P Analysis & Solutions		24JAN2021	
DRAWING TITLE		SIZE	DRAWING NUMBER
JAN21-10		A0	P2P JAN 21-10
SCALE		WEIGHT (kg)	REV
As Indicated		0kg	00

UNLESS OTHERWISE SPECIFIED DIMENSION ARE IN MM
VIEWS: THIRD ANGLE PROJECTION

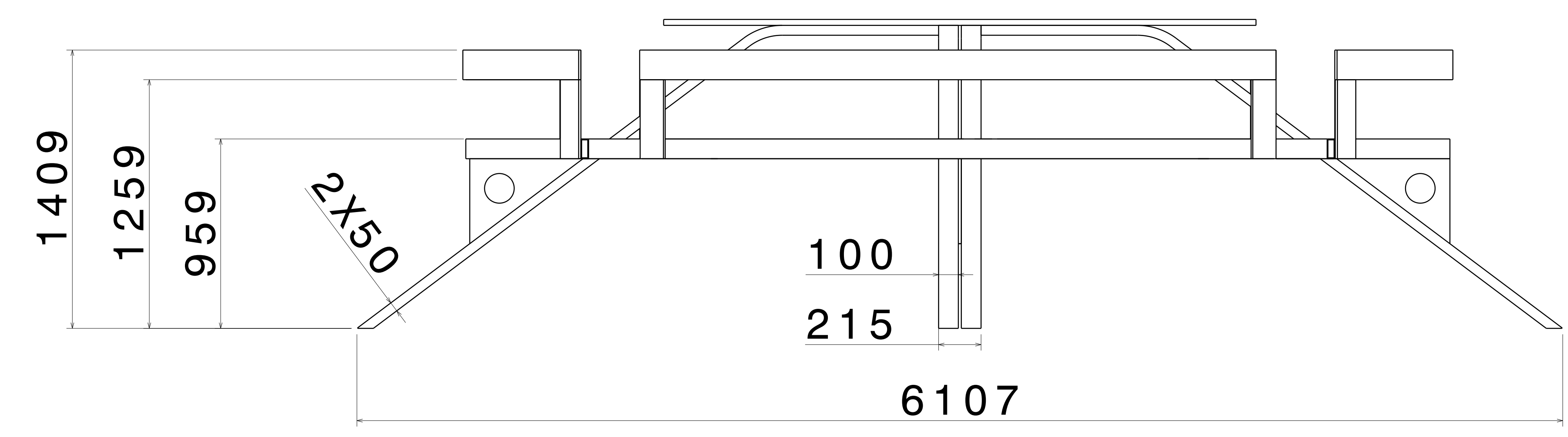
REV	DATE	DESCRIPTION
00	24JAN2021	INITIAL REVISION



FRONT VIEW
SCALE: 1:15



RIGHT VIEW
SCALE: 1:15

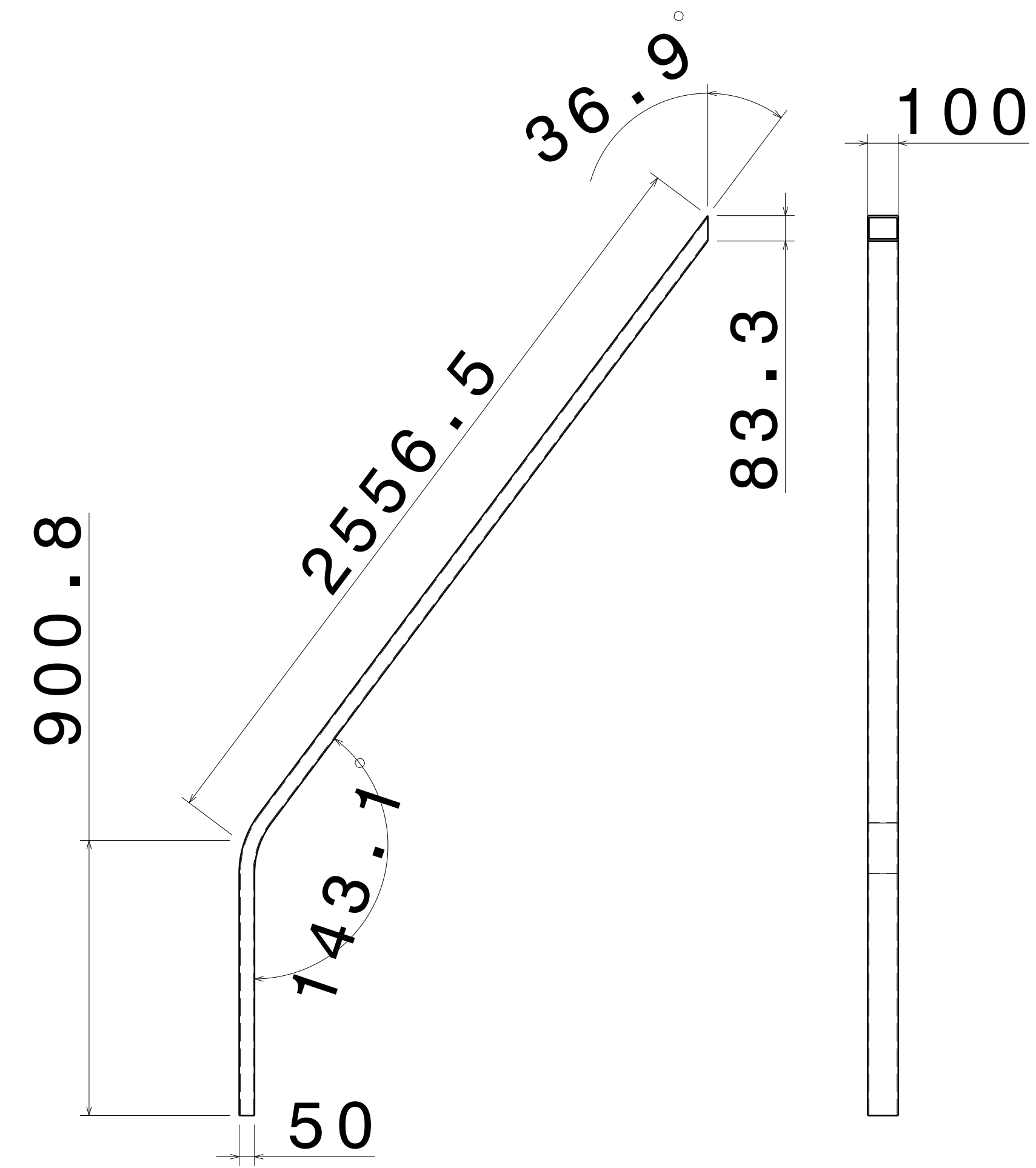


BOTTOM VIEW
SCALE: 1:15

UNLESS OTHERWISE SPECIFIED DIMENSION ARE IN MM
VIEWS: THIRD ANGLE PROJECTION

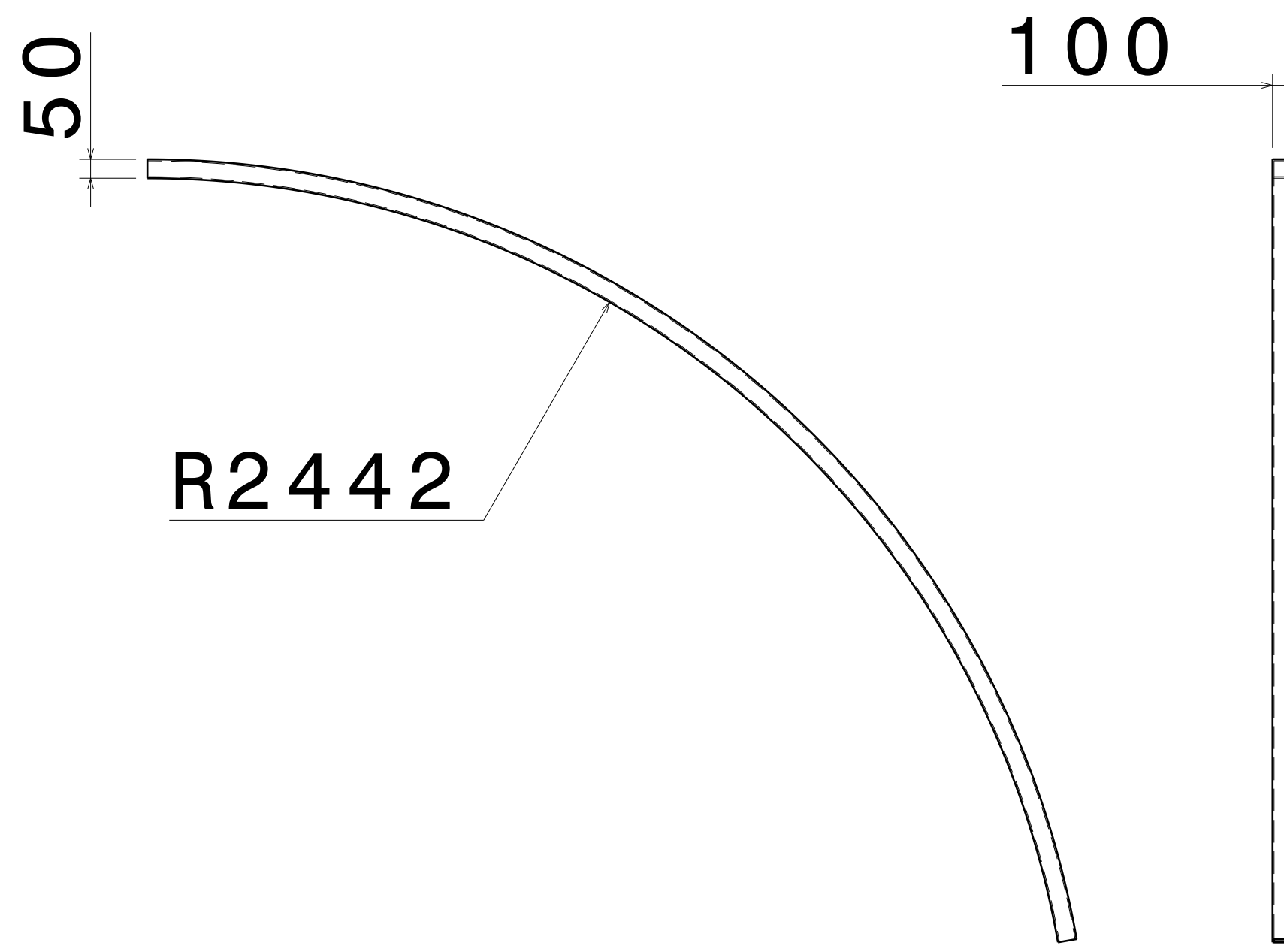
This drawing is our property. It can't be reproduced or communicated without our written agreement.		APL APOLLO TUBES LTD.	
DRAWN BY SB		DATE 24JAN2021	
CHECKED BY P2P Analysis & Solutions		DATE 24JAN2021	
DESIGNED BY P2P Analysis & Solutions		DATE 24JAN2021	
DRAWING TITLE JAN21-10		SIZE A0	DRAWING NUMBER P2P JAN 21-10
SCALE NONE		WEIGHT (kg) XXX	REV 00
		SHEET 2 OF 3	

REV	DATE	DESCRIPTION
00	24JAN2021	INITIAL REVISION



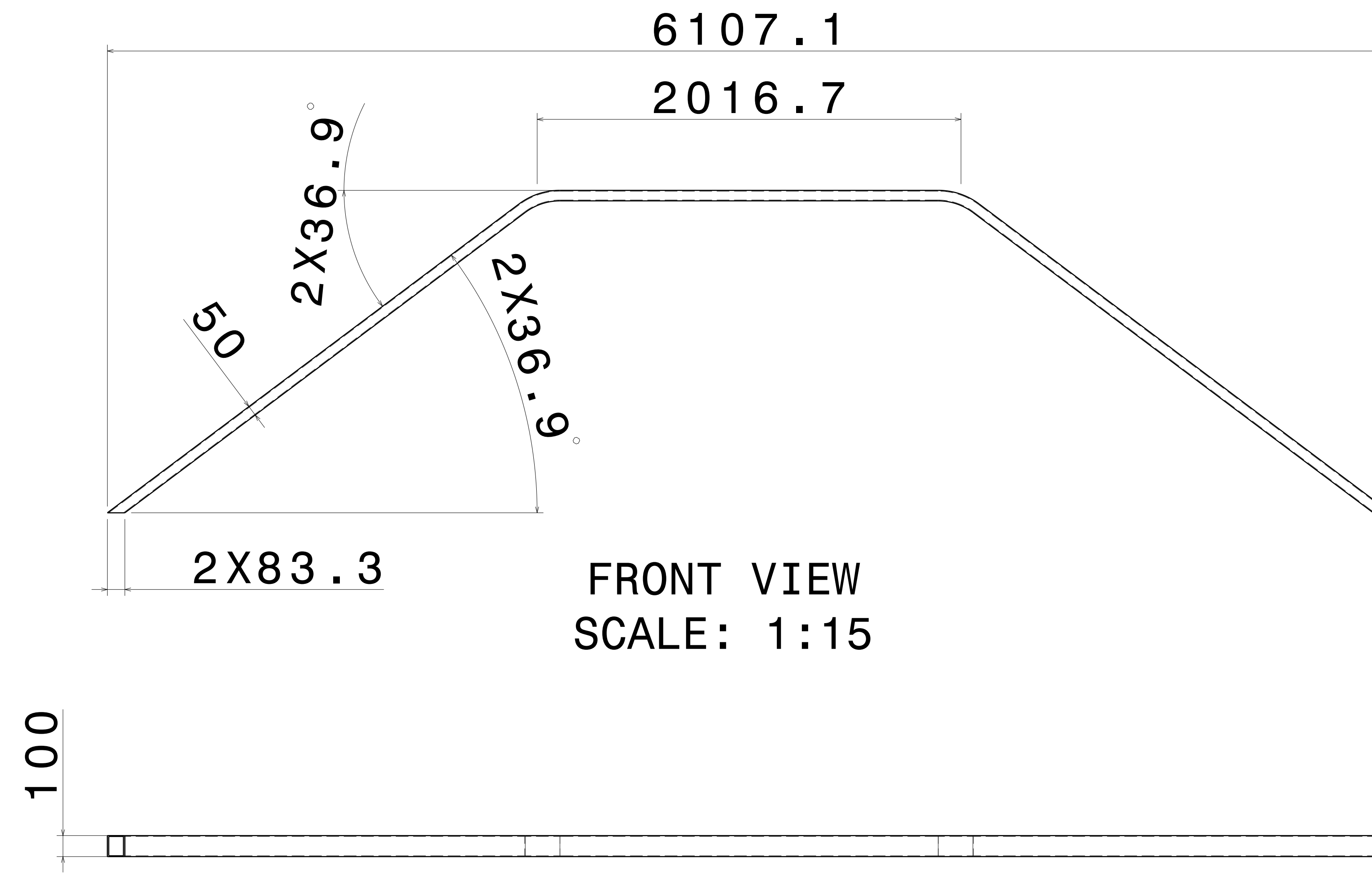
FRONT VIEW SCALE: 1:10
RIGHT VIEW SCALE: 1:10

ITEM 1, RHS FRAME 1
THICKNESS - 4.0MM



FRONT VIEW SCALE: 1:15
RIGHT VIEW SCALE: 1:15

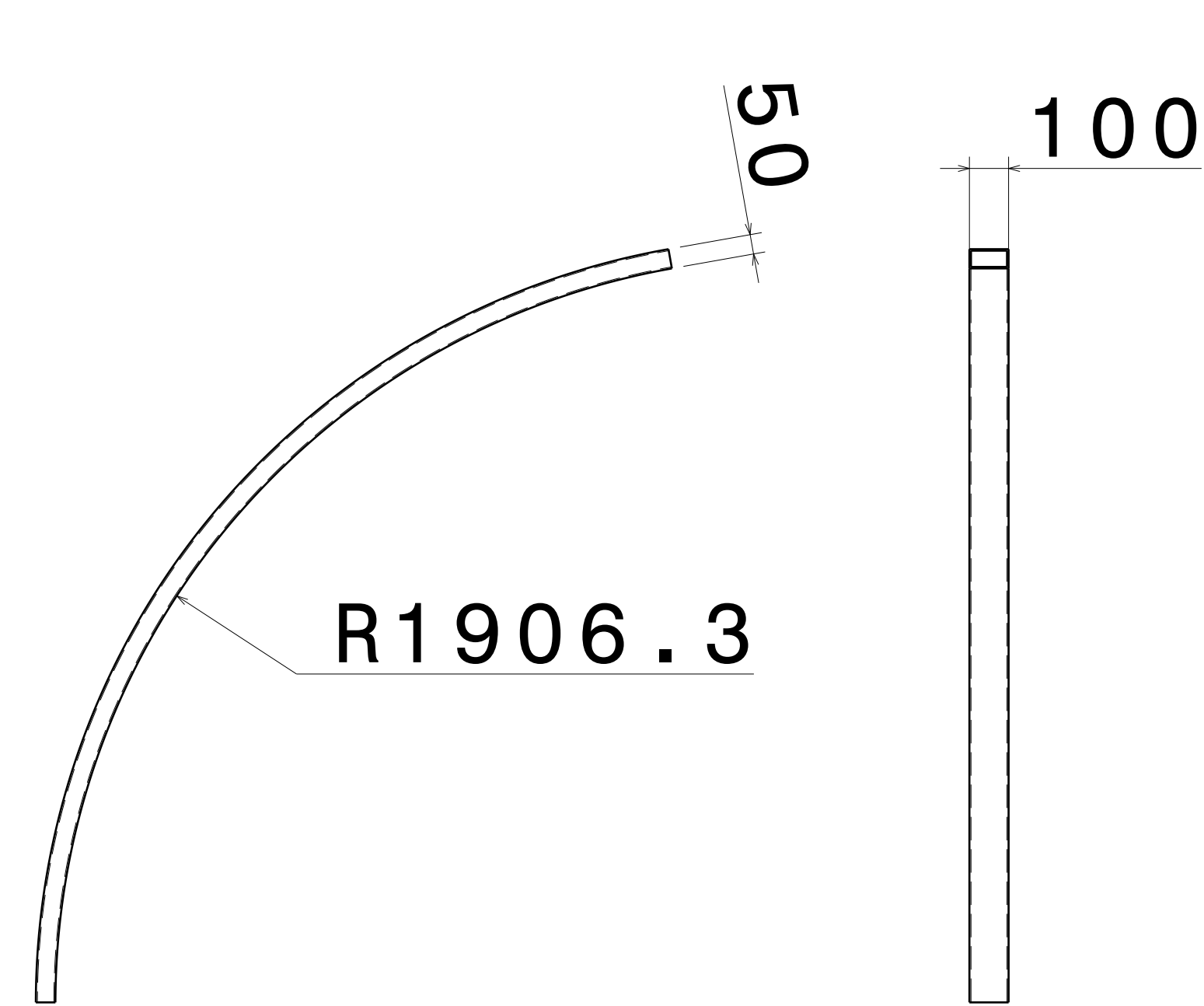
ITEM 5, RHS FRAME 5
THICKNESS - 4.0MM



FRONT VIEW SCALE: 1:15

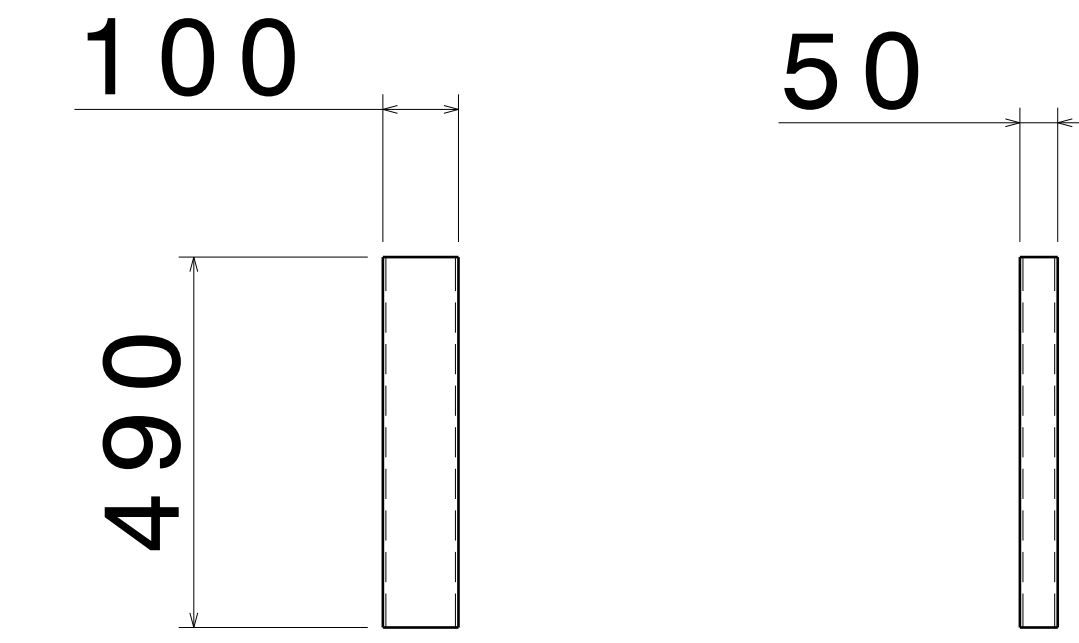
BOTTOM VIEW SCALE: 1:15

ITEM 2, RHS FRAME 2
THICKNESS - 4.0MM



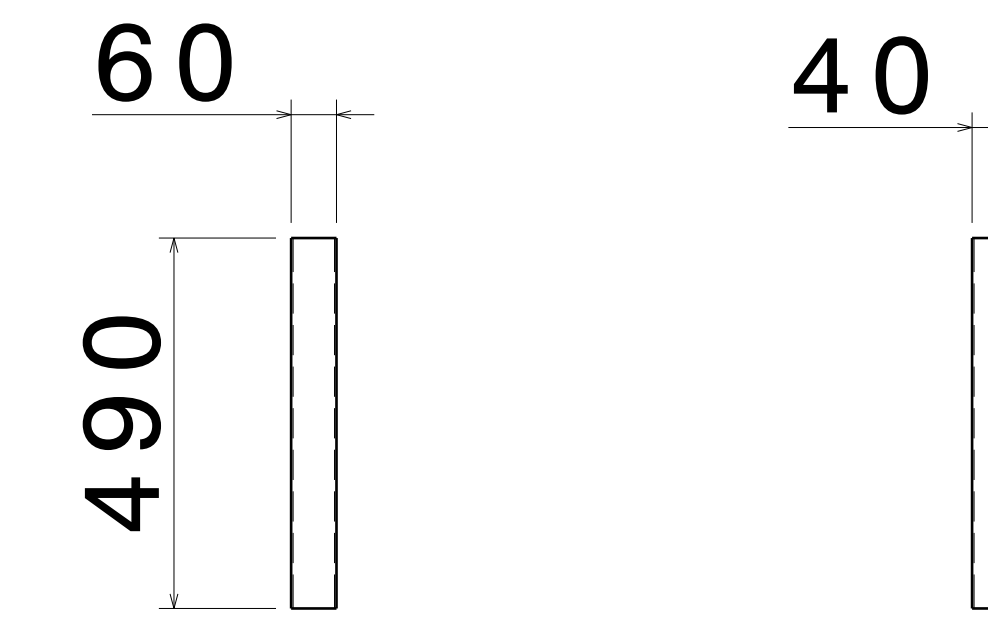
FRONT VIEW SCALE: 1:15
RIGHT VIEW SCALE: 1:15

ITEM 6, RHS FRAME 6
THICKNESS - 4.0MM



FRONT VIEW SCALE: 1:10
RIGHT VIEW SCALE: 1:10


ITEM 3, RHS FRAME 3
THICKNESS - 4.0MM



FRONT VIEW SCALE: 1:10
RIGHT VIEW SCALE: 1:10

ITEM 4, RHS FRAME 4
THICKNESS - 2.6MM

UNLESS OTHERWISE SPECIFIED DIMENSION ARE IN MM
VIEWS: THIRD ANGLE PROJECTION

This drawing is our property. It can't be reproduced or communicated without our written agreement.		APL APOLLO TUBES LTD. 	
DRAWN BY SB		DATE 24JAN2021	
CHECKED BY P2P Analysis & Solutions		DATE 24JAN2021	
DESIGNED BY P2P Analysis & Solutions		DATE 24JAN2021	
SIZE A0	DRAWING NUMBER P2P JAN 21-10	REV 00	
SCALE NONE	WEIGHT (kg) XXX	SHEET 3 OF 3	