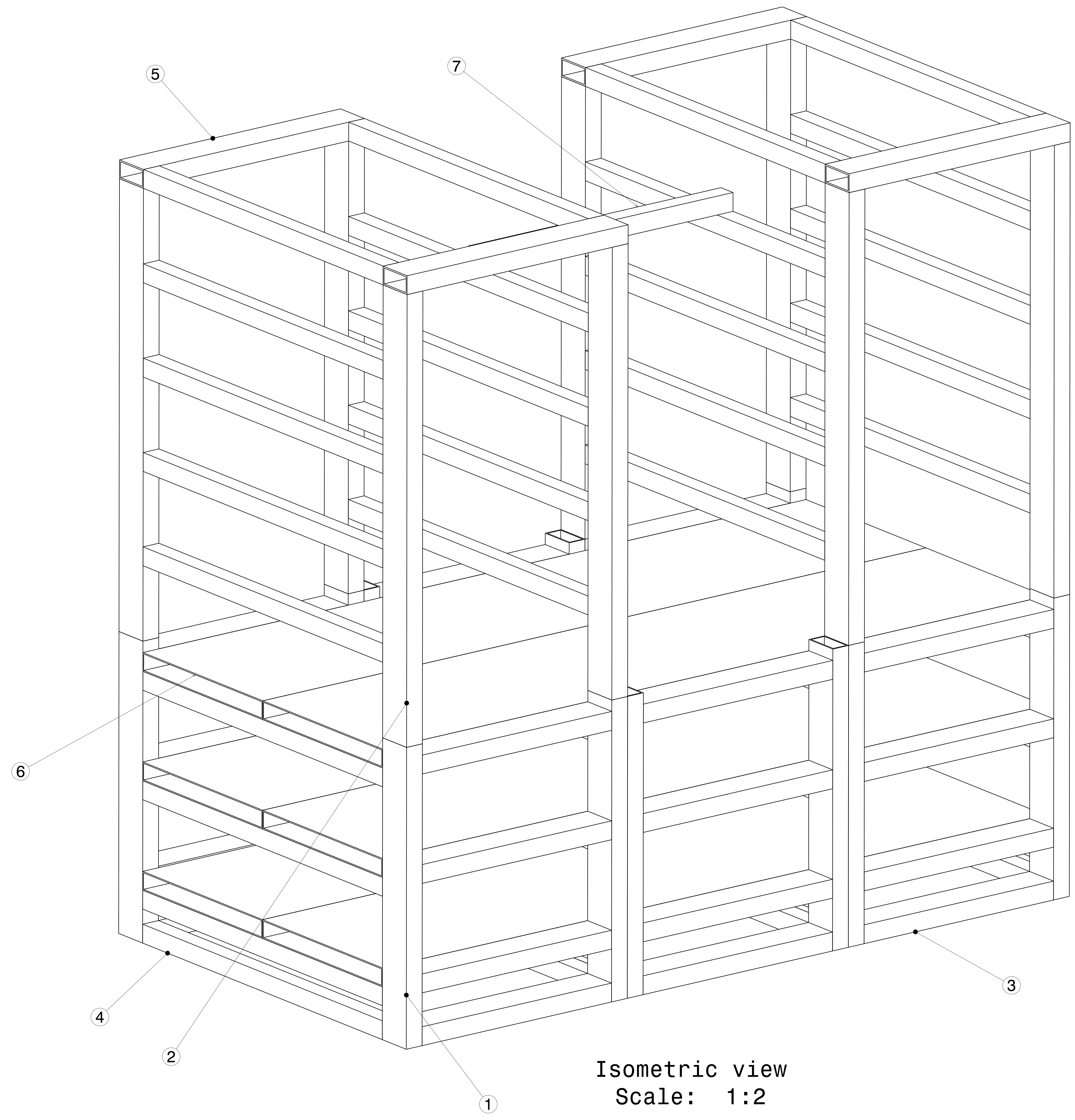


REV	DATE	DESCRIPTION
00	24JAN2021	INITIAL REVISION

- NOTES:
- (⊥) ALL VERTICAL SUPPORTS ARE PERPENDICULAR.
 - FLATNESS OF .5MM IS APPLIED BY DEFAULT.
 - ⊲ WELD BEAD OF 2MM RADIUS IS FOLLOWED.
 - ▽ SURFACE FINISH MEDIUM TO SMOOTH IS USED.
 - ALL TUBES ARE AS PER APL APOLLO STANDARD. CHANGES MAY EFFECT THE LOAD CAPACITY.
 - ALL HORIZONTAL AND VERTICAL TUBES ARE PERPENDICULAR TO EACH OTHER WITH ±1 DEG.
 - FINE WELDING IS REQUIRED AS PER MENTIONED DETAILS AND FINISHING.
 - HIGHER CURRENT WELDING MAY AFFECT THE BRITTLENESS OF MATERIAL WHICH LATER MAY RAISE TO WEAKENING OF STRUCTURE.
 - FABRICATORS ARE ALLOWED TO USE FITTINGS/FRAMES/SUPPORTS AS NEEDED AND THE SAME MUST BE COMMUNICATED BACK TO ENGINEERING TEAM.
 - BOP COMPONENT WEIGHTS ARE FOR REFERENCE ONLY AND SUBJECTED TO CHANGE PER PURCHASED COMPONENTS.



Isometric view
Scale: 1:2

ITEM NO.	PART NUMBER	DESCRIPTION	QTY.	Wt (Kg)/Each
7	SHS FRAME 6	25 X 25 X 2 X 400	1	0.58
6	PLANK 1	250 X 25 X 1.6 X 1050	6	7.18
5	RHS FRAME 5	50 X 25 X 2 X 350	2	0.80
4	SHS FRAME 4	25 X 25 X 2 X 500	44	0.72
3	RHS FRAME 3	50 X 25 X 2 X 300	24	0.69
2	RHS FRAME 2	50 X 25 X 2 X 600	8	1.34
1	RHS FRAME 1	50 X 25 X 2 X 400	12	0.89

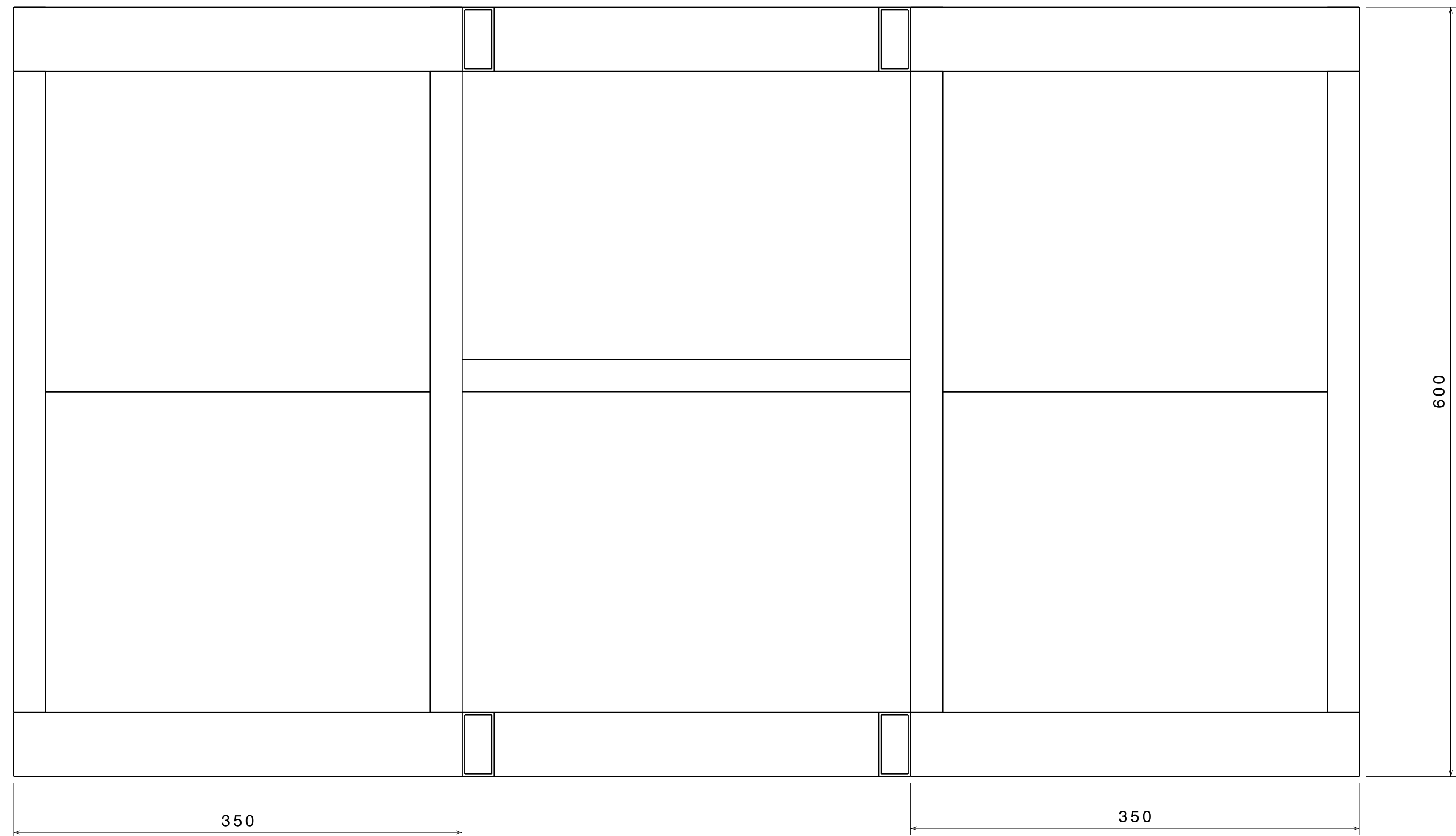
UNLESS OTHERWISE SPECIFIED DIMENSION ARE IN MM
VIEWS: THIRD ANGLE PROJECTION

APL APOLLO TUBES LTD.

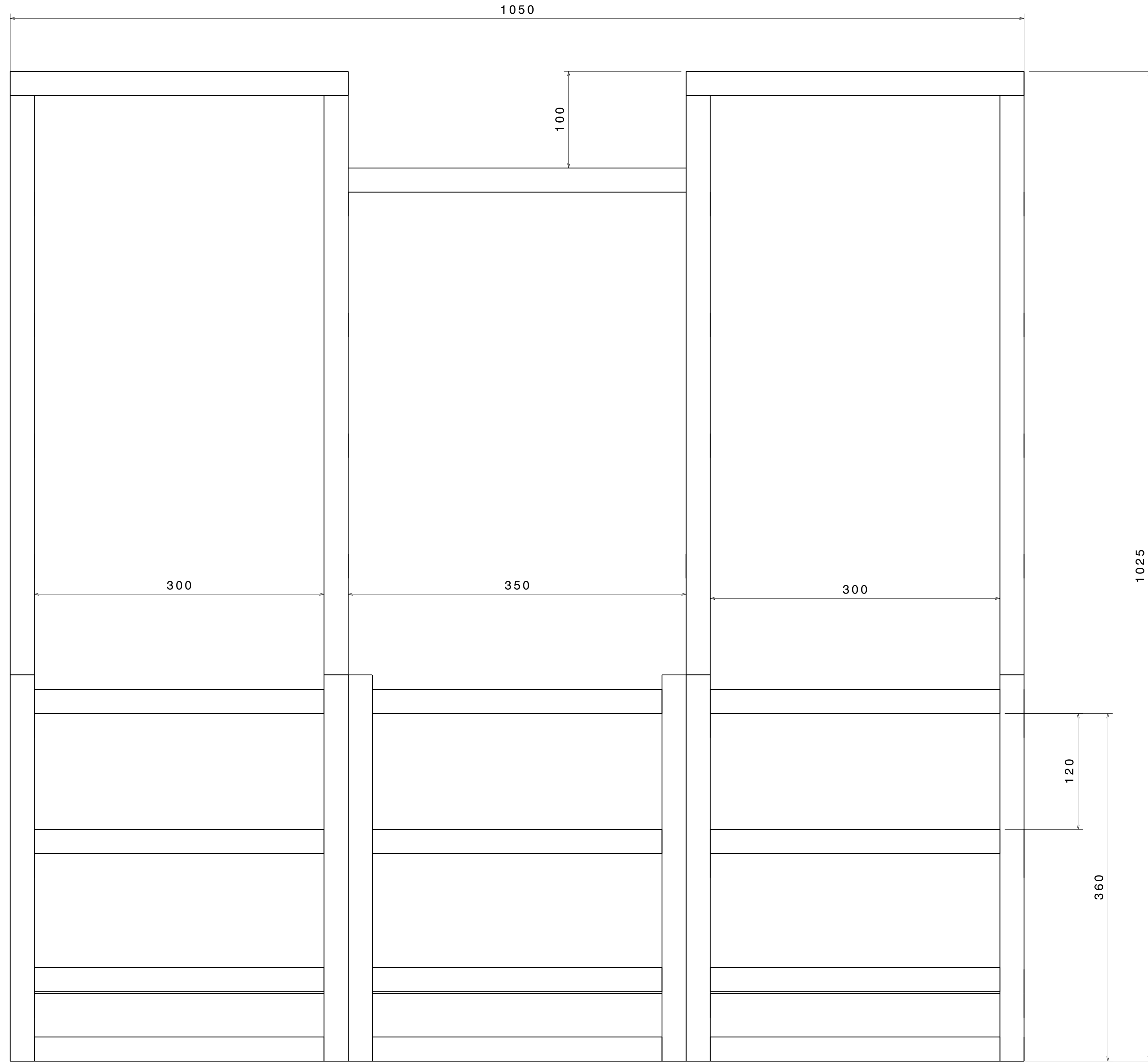
APL APOLLO TUBES LTD.
DRAWING TITLE: JAN21-14

DRAWN BY: SB	DATE: 24JAN2021	SIZE: A0	DRAWING NUMBER: P2P JAN21-14	REV: 00
CHECKED BY: P2P Analysis & Solutions	DATE: 24JAN2021	SCALE: As Indicated	WEIGHT (kg): 0kg	SHEET 1 OF 3
DESIGNED BY: P2P Analysis & Solutions	DATE: 24JAN2021			

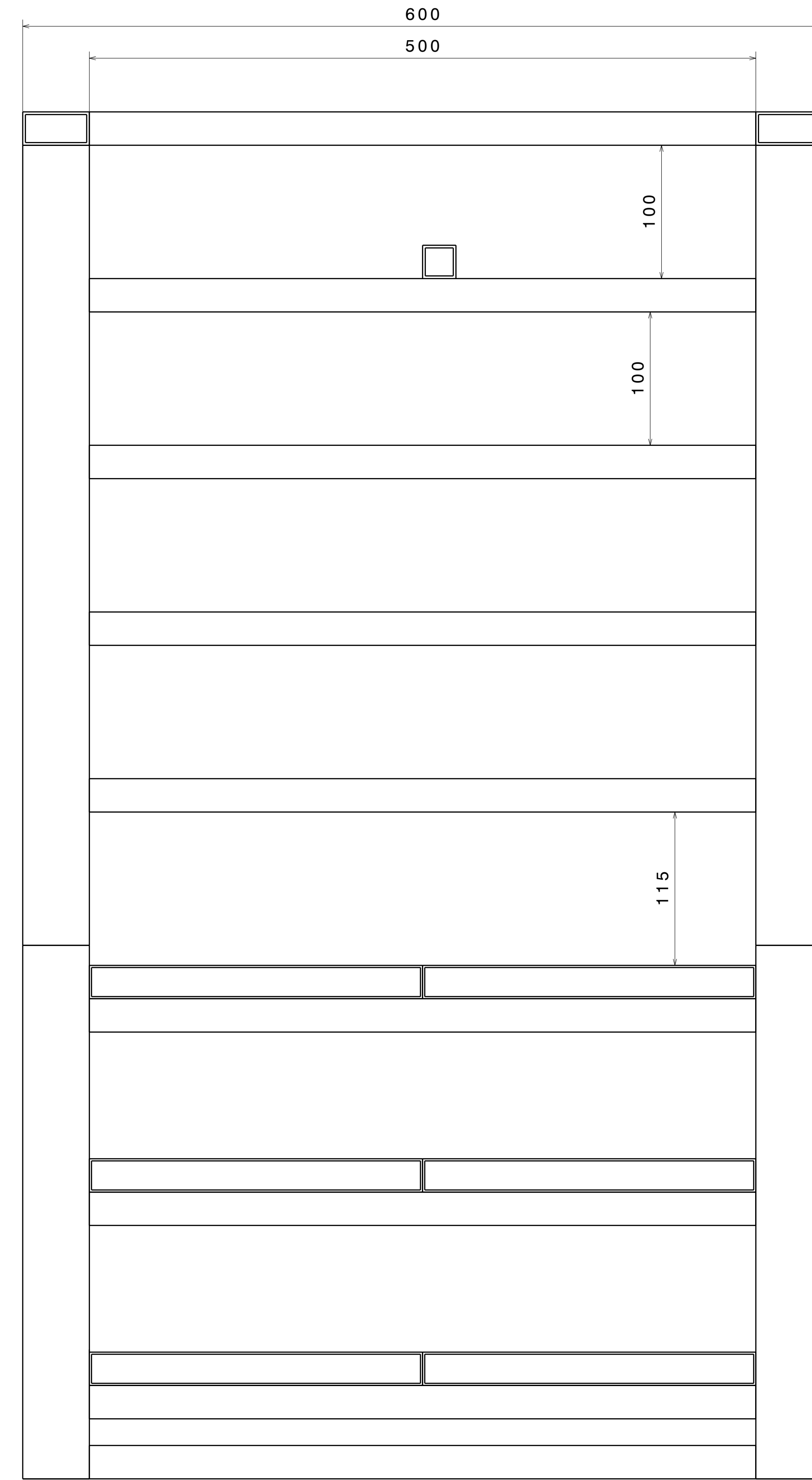
REV	DATE	DESCRIPTION
00	24JAN2021	INITIAL REVISION



Top view
Scale: 2:5

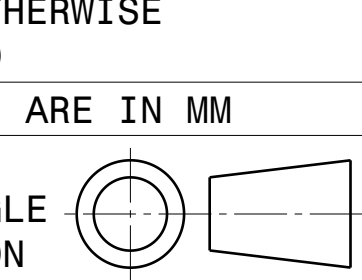



Front view
Scale: 2:5



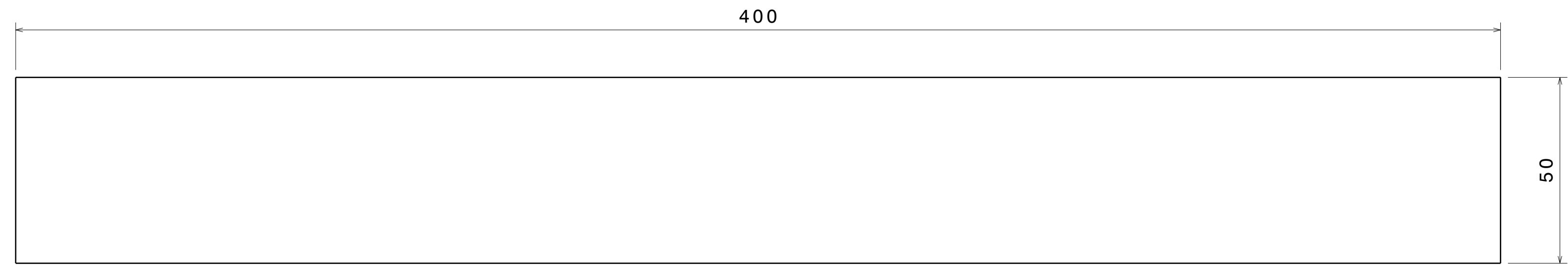
Right view
Scale: 2:5

UNLESS OTHERWISE SPECIFIED DIMENSION ARE IN MM
VIEWS: THIRD ANGLE PROJECTION

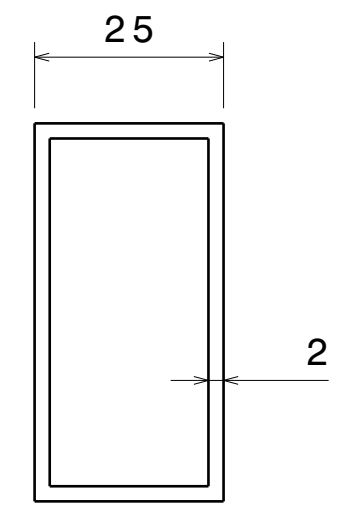


This drawing is our property. It can't be reproduced or communicated without our written agreement.		APL APOLLO TUBES LTD. 	
DRAWN BY SB		DRAWING TITLE JAN21 - 14	
CHECKED BY P2P Analysis & Solutions	DATE 24JAN2021	SIZE A0	DRAWING NUMBER P2P JAN21 - 14
DESIGNED BY P2P Analysis & Solutions	DATE 24JAN2021	SCALE NONE	WEIGHT (kg) XXX
		REV 00	
		SHEET 2 OF 3	

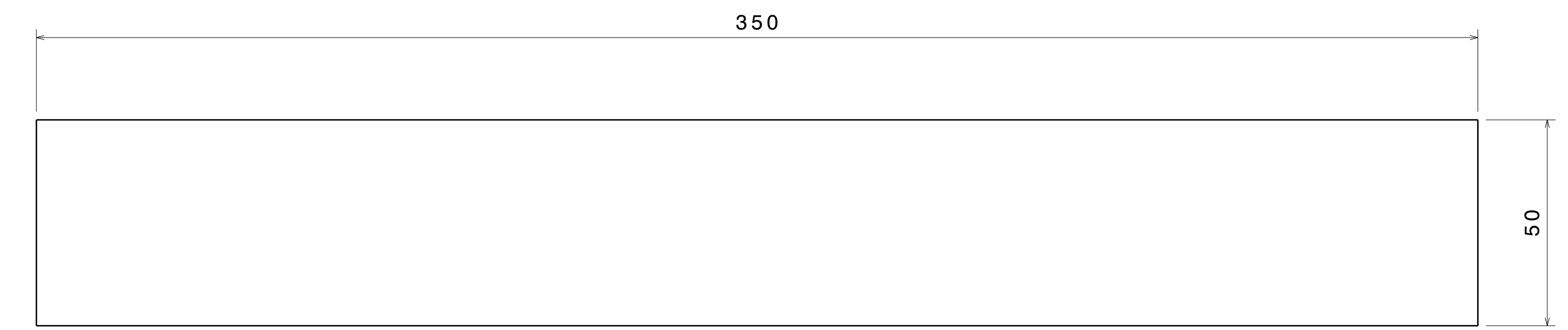
REV	DATE	DESCRIPTION
00	24JAN2021	INITIAL REVISION



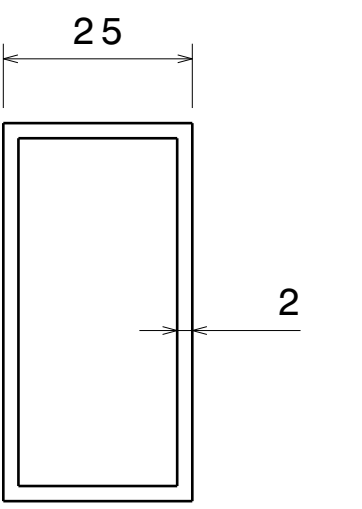
ITEM 1



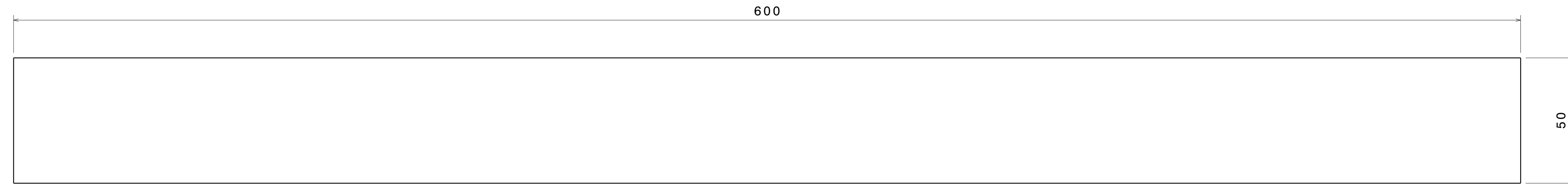
Right view
Scale: 1:1



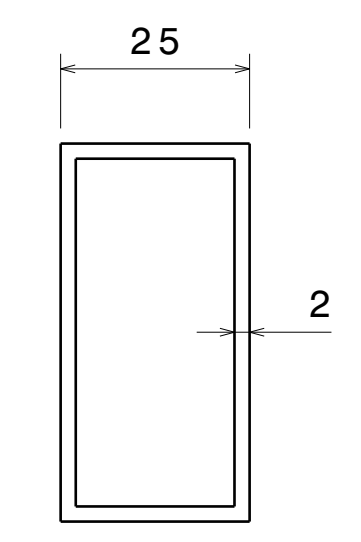
ITEM 5



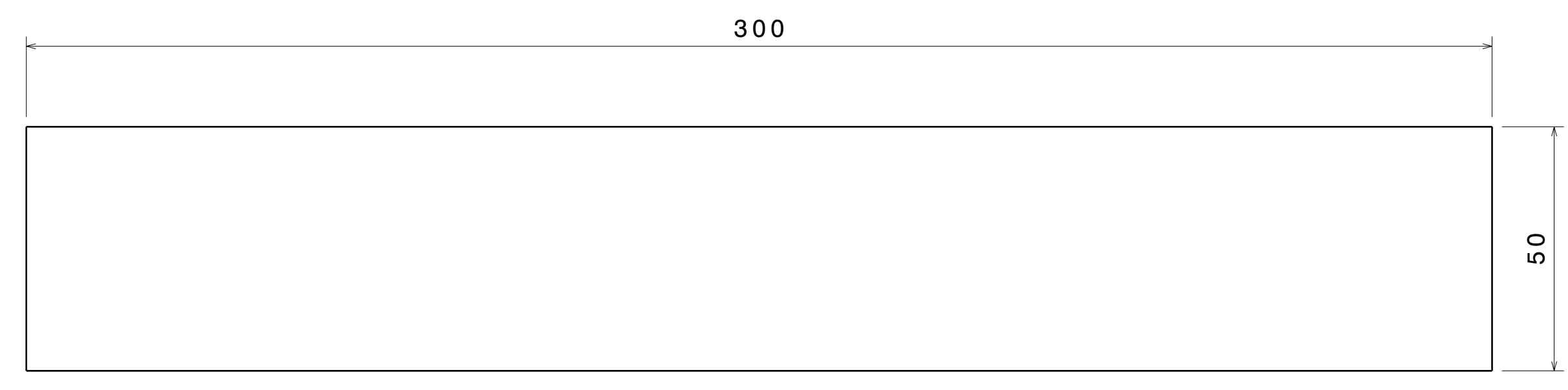
Right view
Scale: 1:1



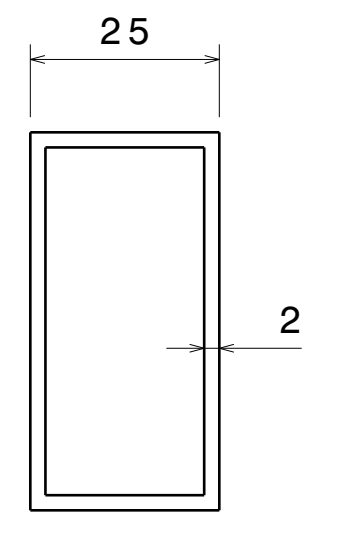
ITEM 2



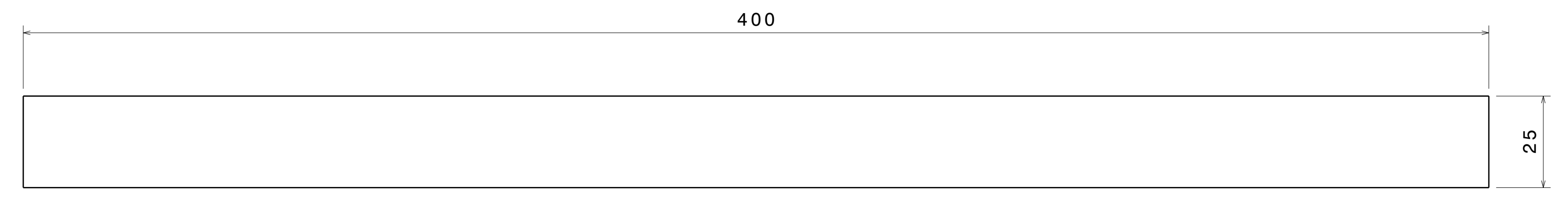
Right view
Scale: 1:1



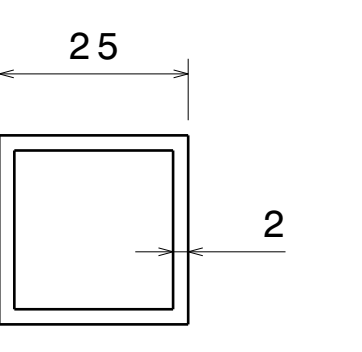
ITEM 3



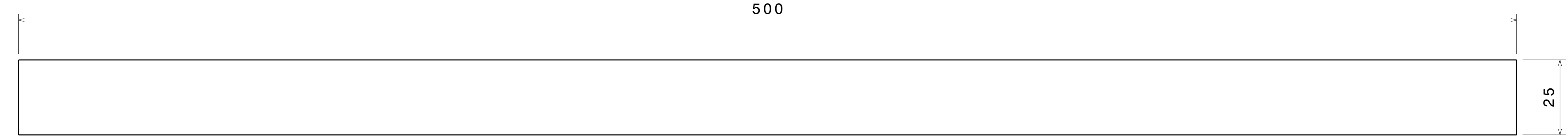
Right view
Scale: 1:1



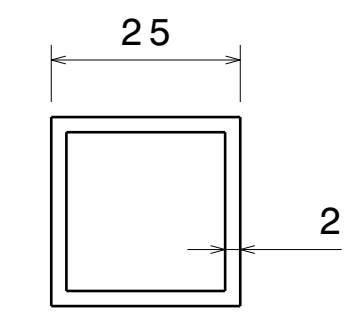
ITEM 7



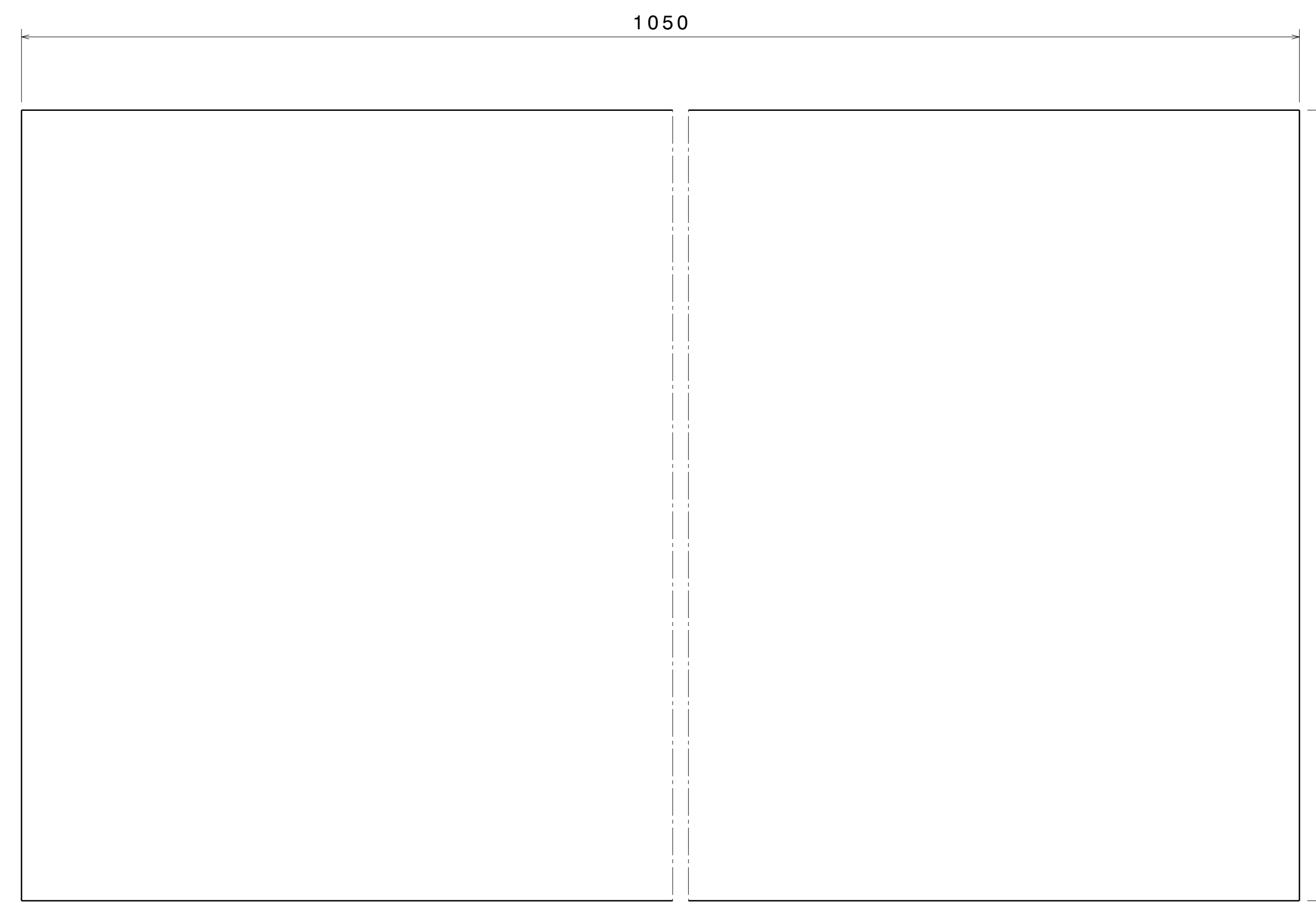
Right view
Scale: 1:1



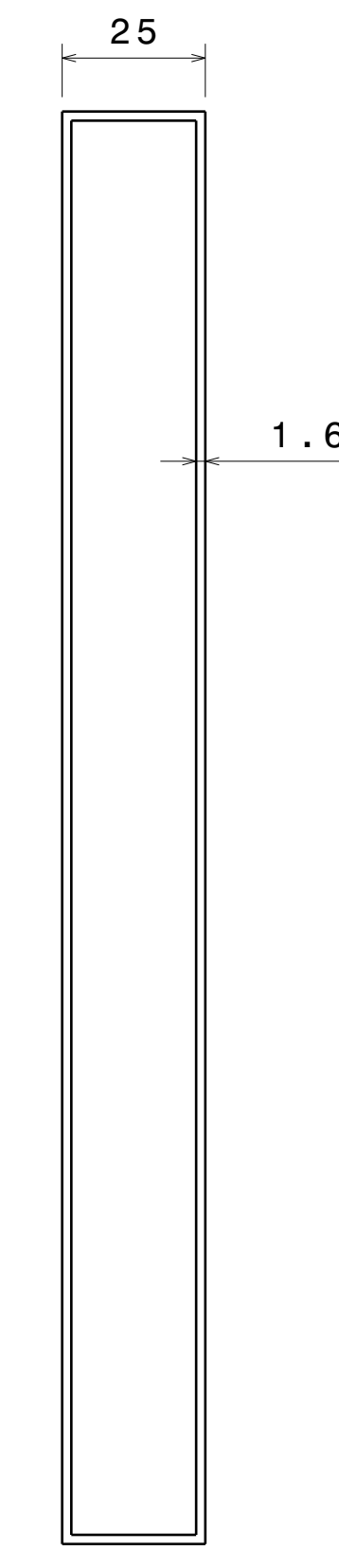
ITEM 4



Right view
Scale: 1:1



ITEM 6



Right view
Scale: 4:5

UNLESS OTHERWISE SPECIFIED DIMENSION ARE IN MM
VIEWS: THIRD ANGLE PROJECTION

This drawing is our property. It can't be reproduced or communicated without our written agreement.

APL APOLLO TUBES LTD.

DRAWN BY	DATE	DRAWING TITLE		
SB	24JAN2021	JAN21 - 14		
CHECKED BY	DATE	SIZE	DRAWING NUMBER	REV
P2P Analysis & Solutions	24JAN2021	A0	P2P JAN21 - 14	00
DESIGNED BY	DATE	SCALE	NONE	WEIGHT (kg) XXX
P2P Analysis & Solutions	24JAN2021			SHEET 3 OF 3