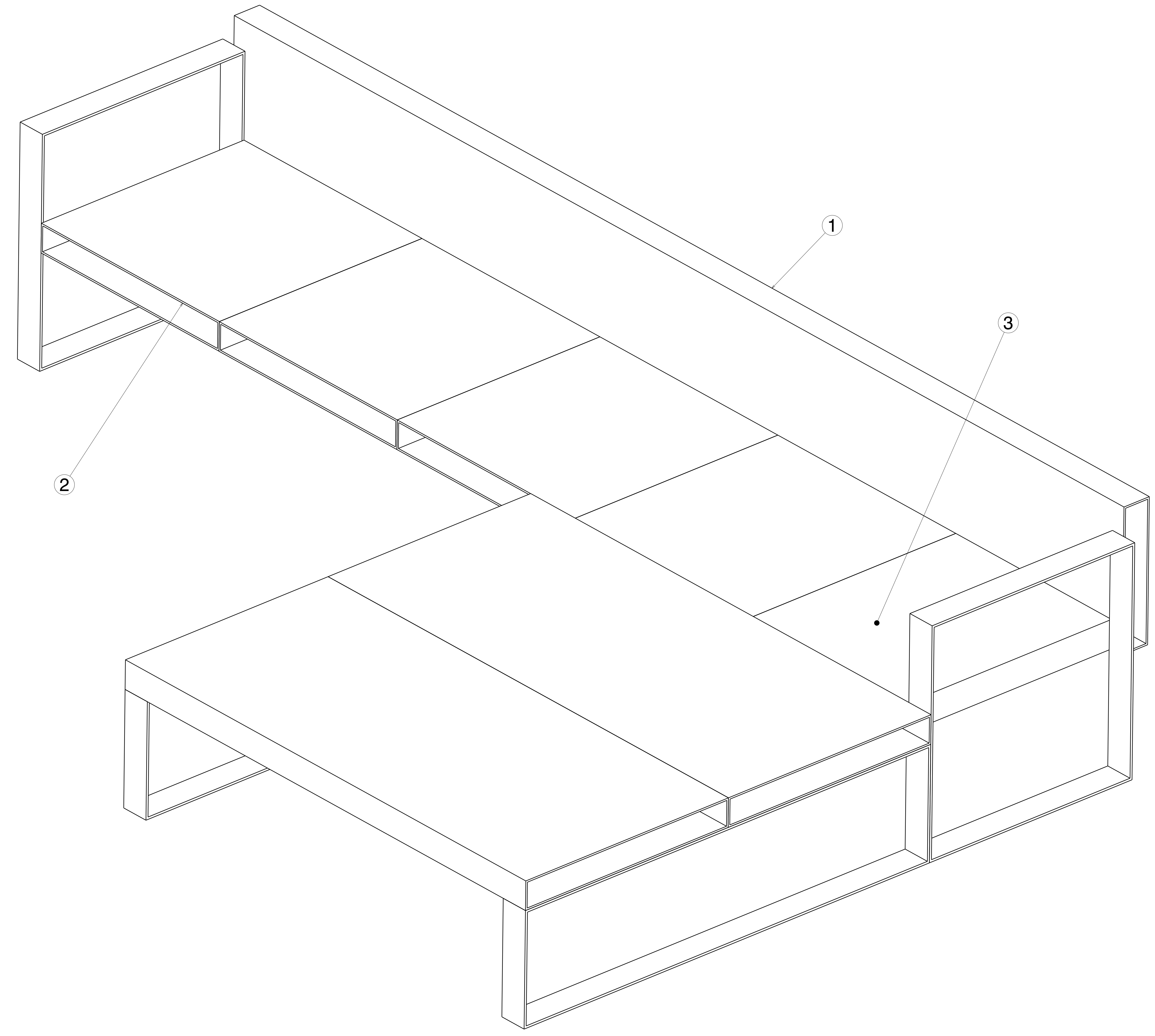


REV/DATE	DESCRIPTION
00 / 15JAN2021	INITIAL REVISION

- NOTES:
- (⊥) ALL VERTICAL SUPPORTS ARE PERPENDICULAR.
 - FLATNESS OF .5MM IS APPLIED BY DEFAULT.
 - ⊲ WELD BEAD OF 2MM RADIUS IS FOLLOWED.
 - ▽▽ SURFACE FINISH MEDIUM TO SMOOTH IS USED.
 - ALL TUBES ARE AS PER APL APOLLO STANDARD. CHANGES MAY EFFECT THE LOAD CAPACITY.
 - ALL HORIZONTAL AND VERTICAL TUBES ARE PERPENDICULAR TO EACH OTHER WITH ±1 DEG.
 - FINE WELDING IS REQUIRED AS PER MENTIONED DETAILS AND FINISHING.
 - HIGHER CURRENT WELDING MAY AFFECT THE BRITTLENESS OF MATERIAL WHICH LATER MAY RAISE TO WEAKENING OF STRUCTURE.
 - FABRICATORS ARE ALLOWED TO USE FITTINGS/FRAMES/SUPPORTS AS NEEDED AND THE SAME MUST BE COMMUNICATED BACK TO ENGINEERING TEAM.
 - BOP COMPONENT WEIGHTS ARE FOR REFERENCE ONLY AND SUBJECTED TO CHANGE PER PURCHASED COMPONENTS.



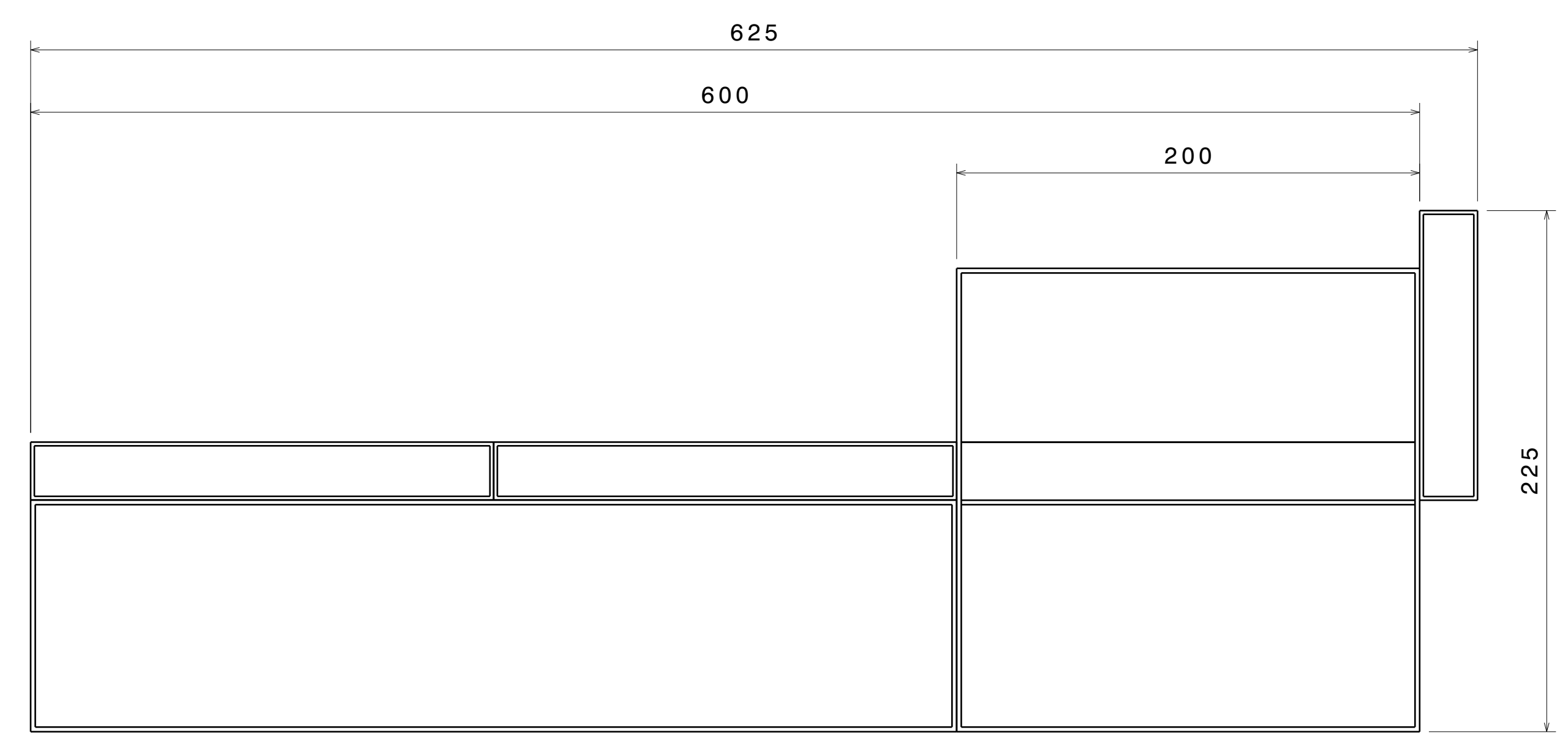
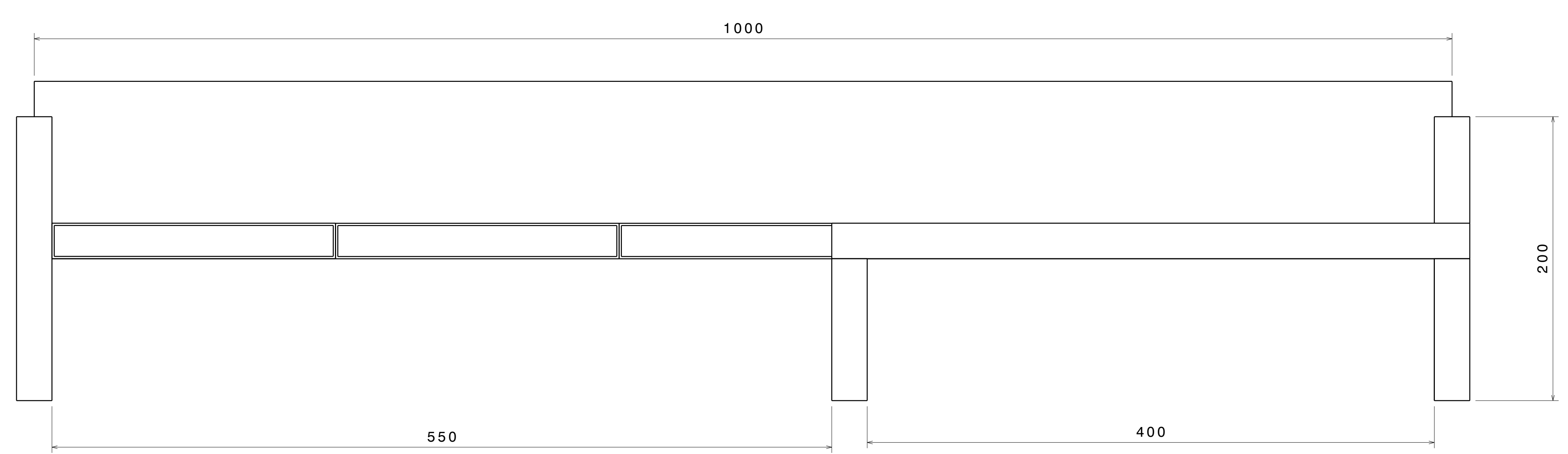
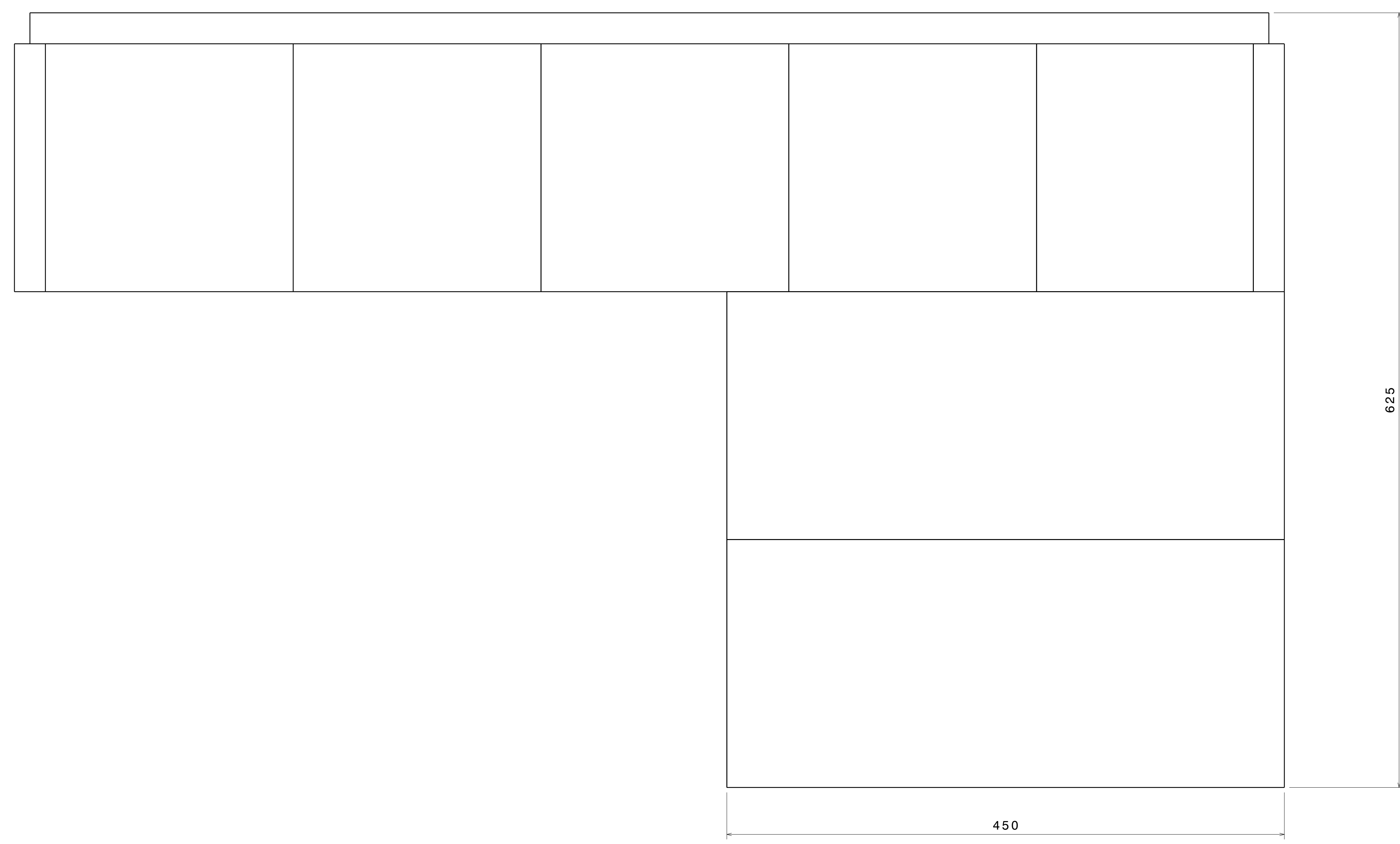
Isometric view

ITEM NO.	PART NUMBER	DESCRIPTION	QTY.	Wt (kg)/Each
8	LEG 4 - BOP	200 X 25 X 2	8	0.08
7	LEG 3 - BOP	400 X 25 X 2	2	0.16
6	LEG 2 - BOP	600 X 25 X 2	2	0.24
5	LEG 1 - BOP	100 X 25 X 2	4	0.04
4	PLANK 4	200 X 25 X 1.6 X 450	2	2.51
3	PLANK 3	175 X 25 X 1.6 X 200	1	1
2	PLANK 2	200 X 25 X 1.6 X 200	4	1.12
1	PLANK 1	125 X 25 X 1.6 X 1000	1	3.7

UNLESS OTHERWISE SPECIFIED DIMENSION ARE IN MM
 VIEWS: THIRD ANGLE PROJECTION

This drawing is our property. It can't be reproduced or communicated without our written agreement.		APL APOLLO TUBES LTD.	
DRAWN BY SB		DATE 15JAN2021	
CHECKED BY P2P Analysis & Solutions		DATE 15JAN2021	
DESIGNED BY P2P Analysis & Solutions		DATE 15JAN2021	
DRAWING TITLE JAN21-18		SIZE A0	REV 00
DRAWING NUMBER P2P JAN21-18		SCALE As Indicated	WEIGHT (kg) 0kg
SHEET 1 OF 3			

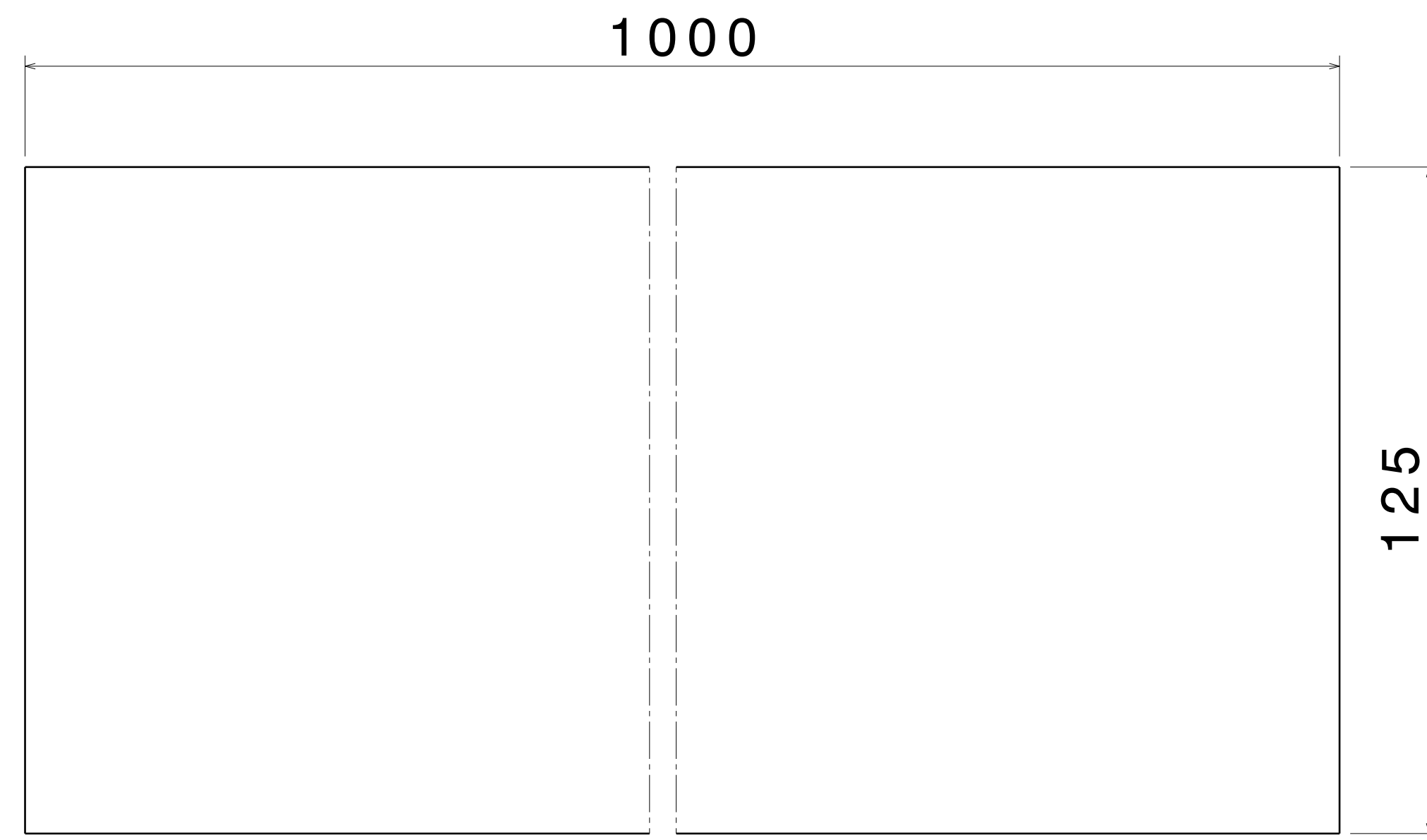
REV	DATE	DESCRIPTION
00	15JAN2021	INITIAL REVISION



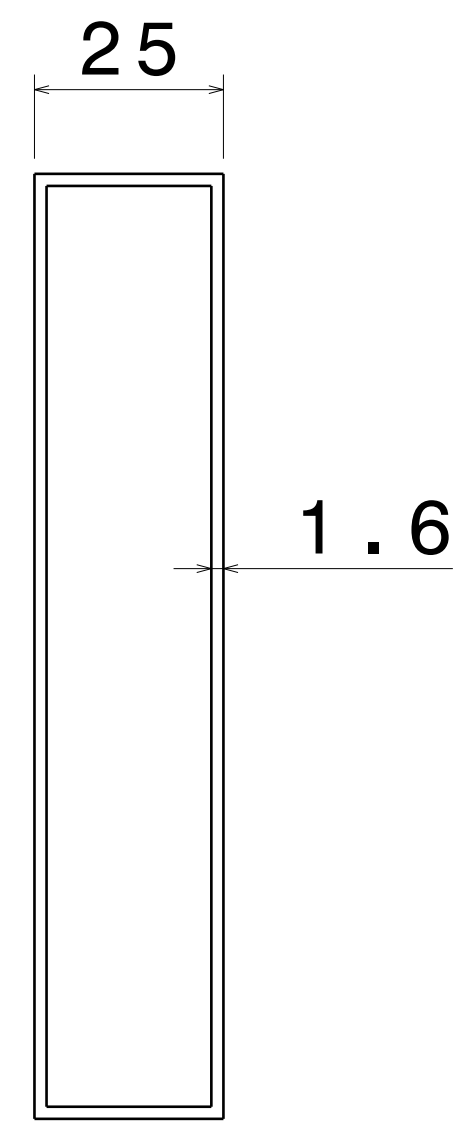
UNLESS OTHERWISE SPECIFIED DIMENSION ARE IN MM
VIEWS: THIRD ANGLE PROJECTION

This drawing is our property. It can't be reproduced or communicated without our written agreement.		APL APOLLO TUBES LTD.	
DRAWN BY SB		DATE 15JAN2021	
CHECKED BY P2P Analysis & Solutions		DATE 15JAN2021	
DESIGNED BY P2P Analysis & Solutions		DATE 15JAN2021	
DRAWING TITLE JAN21 - 18		SIZE A0	DRAWING NUMBER P2P JAN21 - 18
SCALE NONE		WEIGHT (kg) XXX	REV 00
			SHEET 2 OF 3

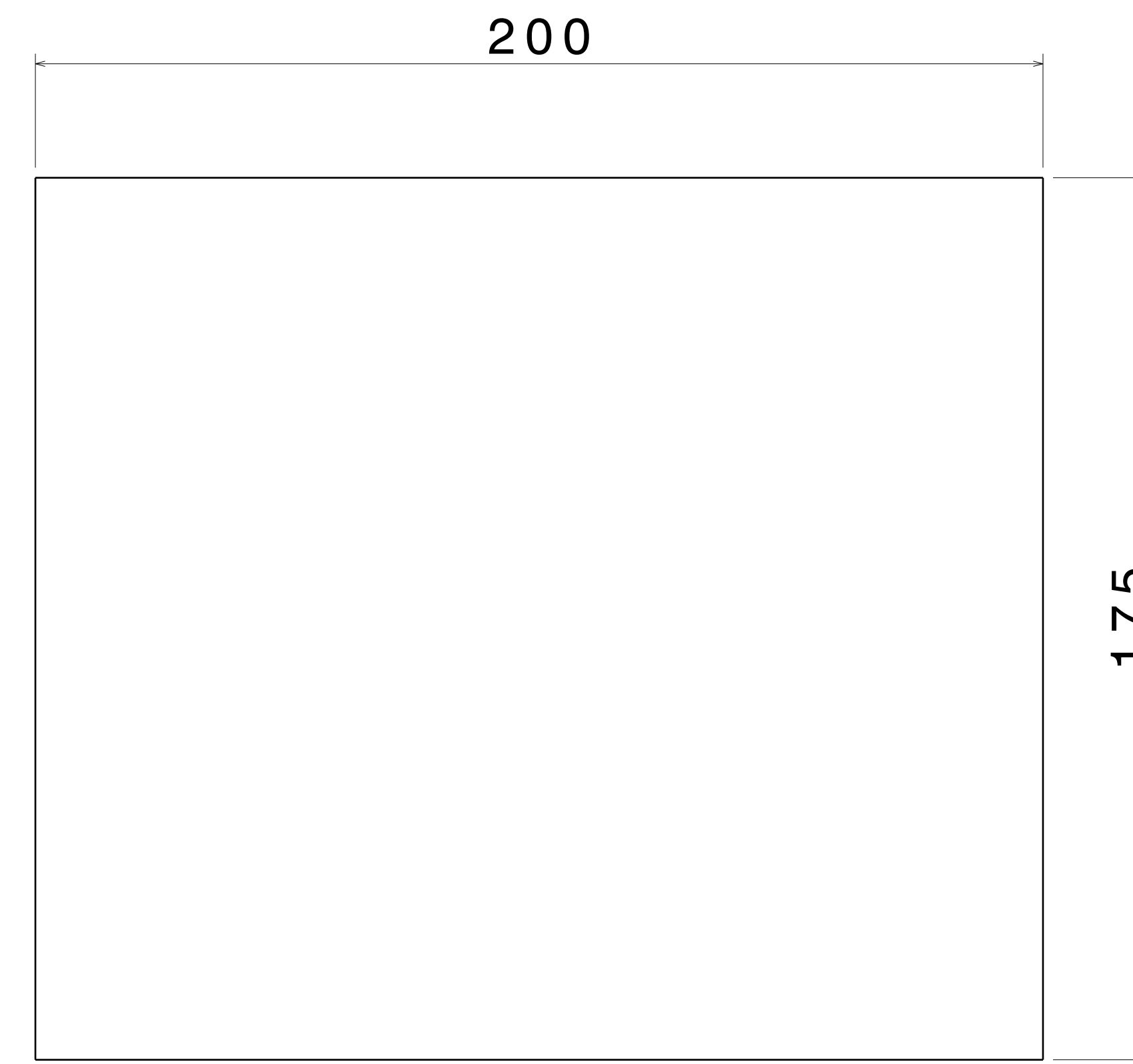
REV	DATE	DESCRIPTION
00	15JAN2021	INITIAL REVISION



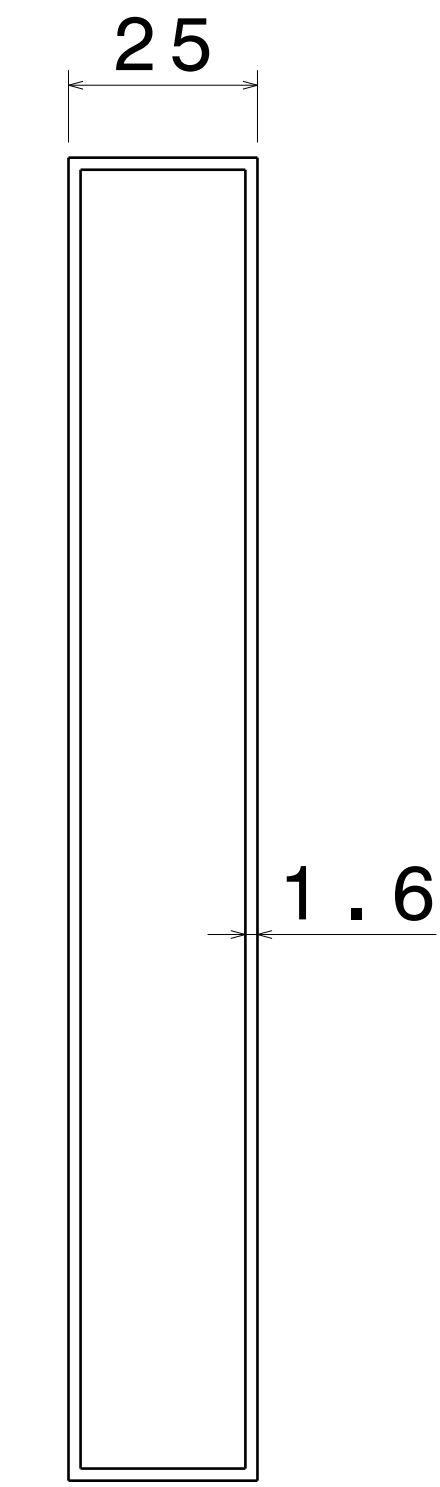
ITEM 1



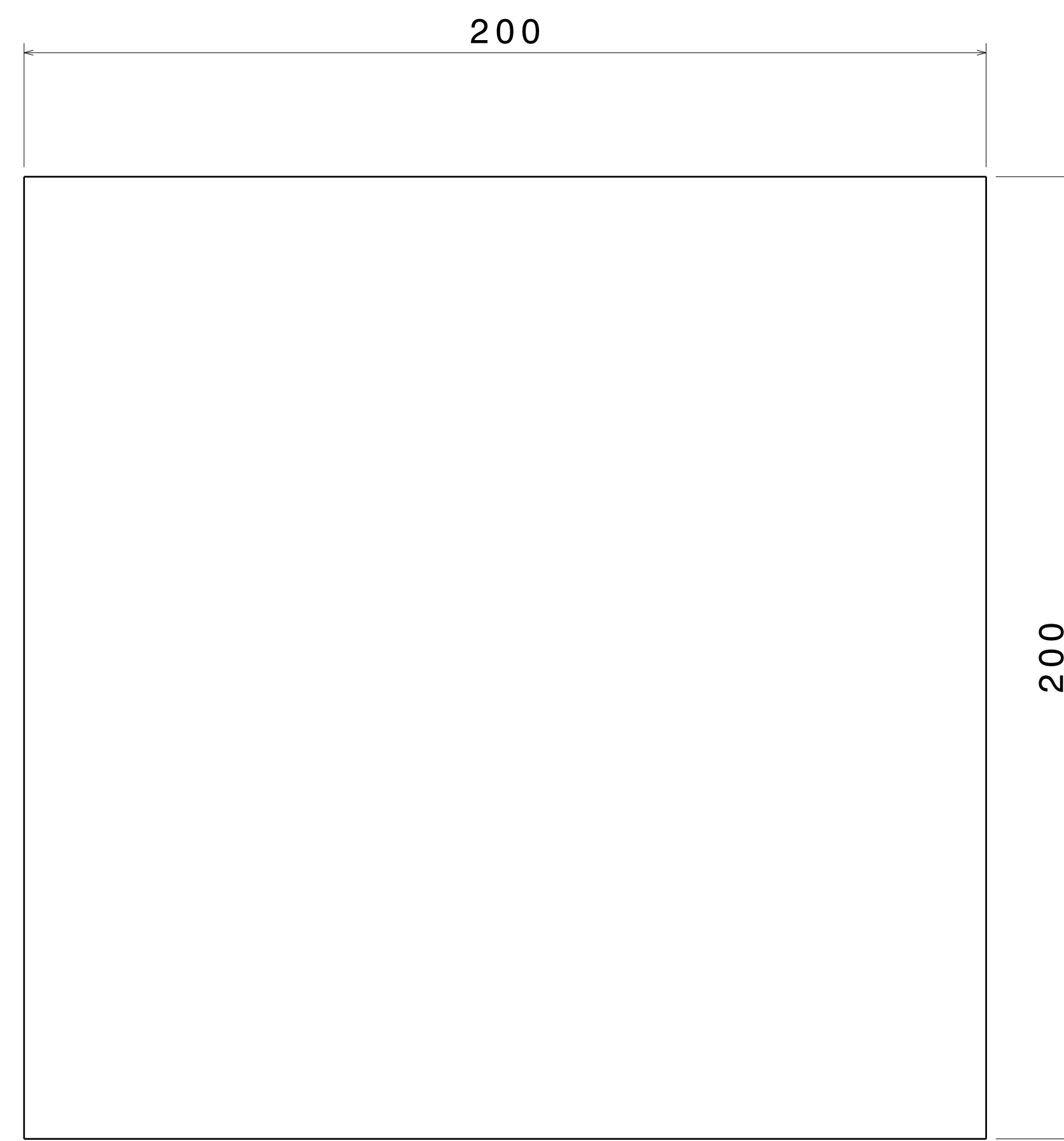
Right view
Scale: 1:1



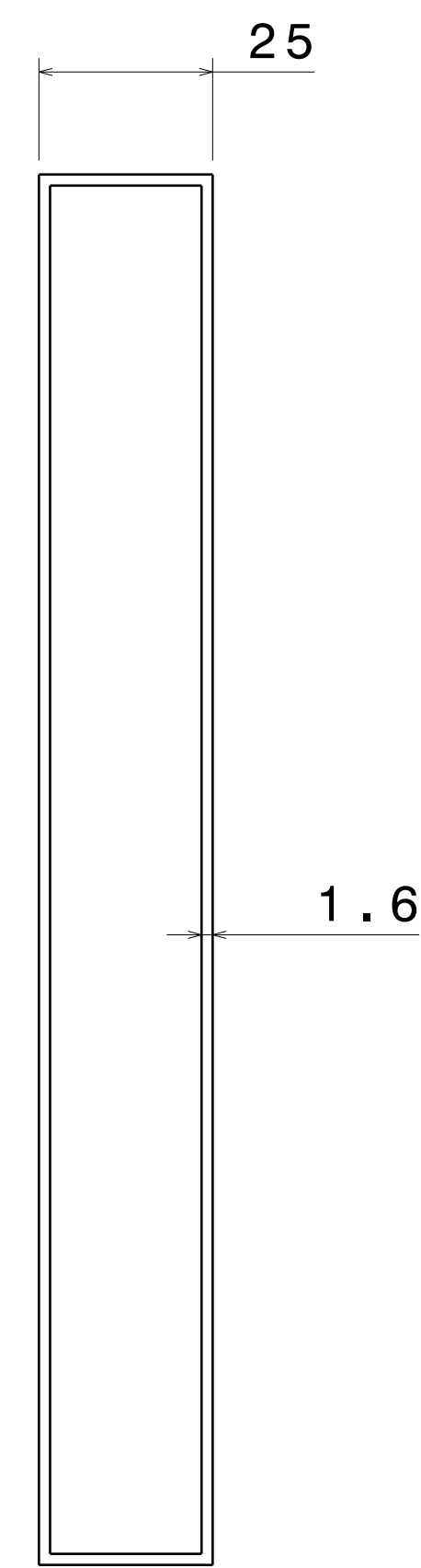
ITEM 3



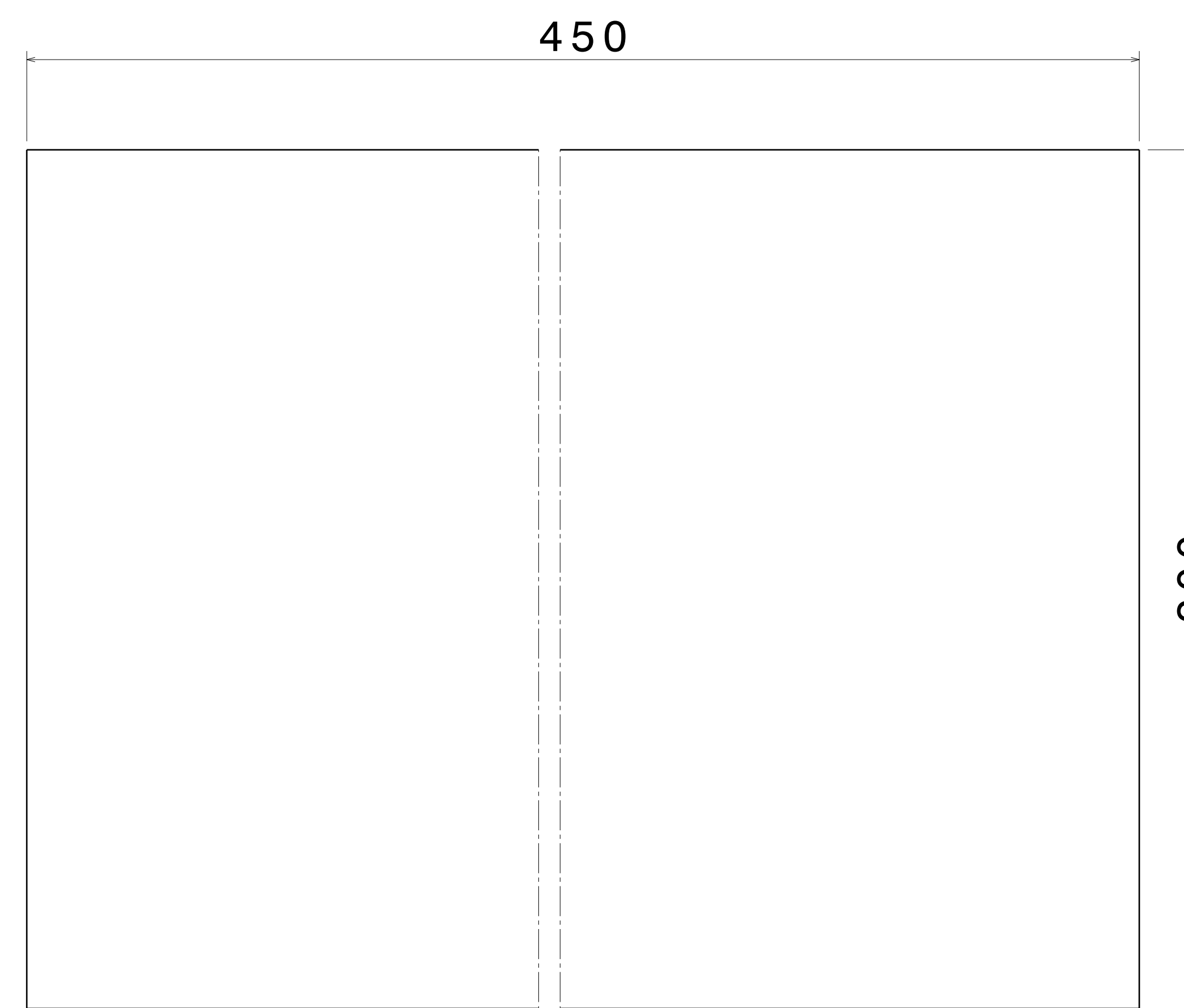
Right view
Scale: 1:1



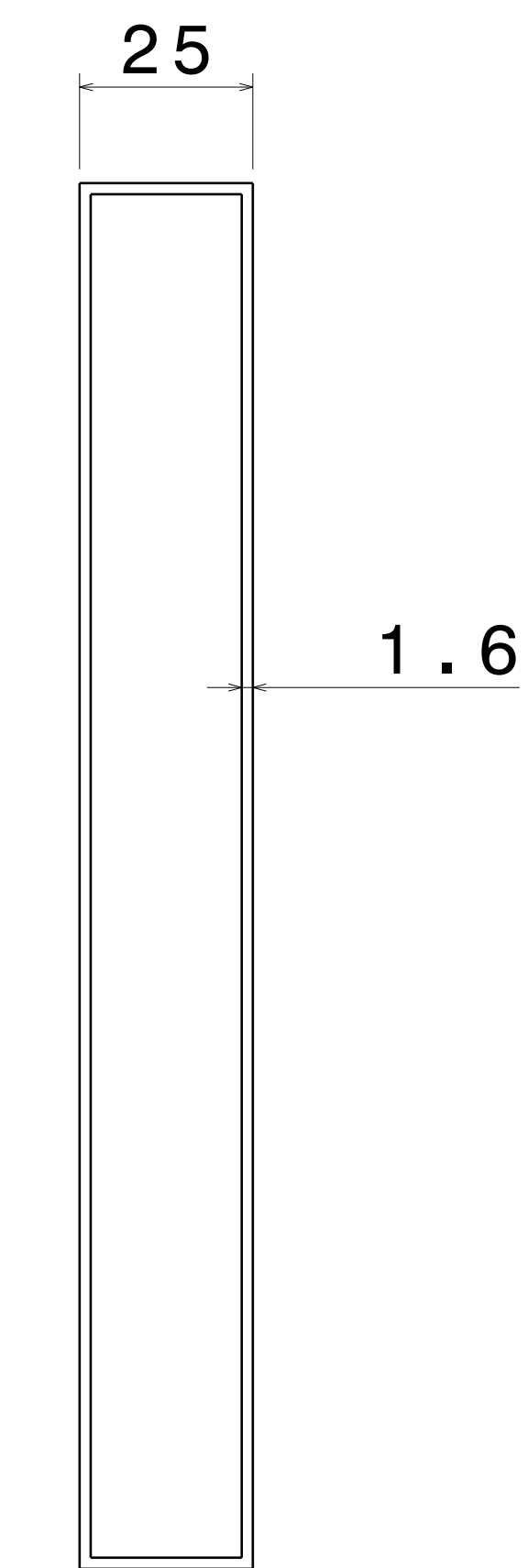
ITEM 2



Right view
Scale: 1:1



ITEM 4



Right view
Scale: 1:1

UNLESS OTHERWISE SPECIFIED DIMENSION ARE IN MM
VIEWS: THIRD ANGLE PROJECTION

This drawing is our property. It can't be reproduced or communicated without our written agreement.		APL APOLLO TUBES LTD.	
DRAWN BY SB		DATE 15JAN2021	
CHECKED BY P2P Analysis & Solutions		DATE 15JAN2021	
DESIGNED BY P2P Analysis & Solutions		DATE 15JAN2021	
DRAWING TITLE JAN21-18		SIZE A0	DRAWING NUMBER P2P_JAN21-18
SCALE NONE		WEIGHT (kg) XXX	REV 00
		SHEET 3 OF 3	