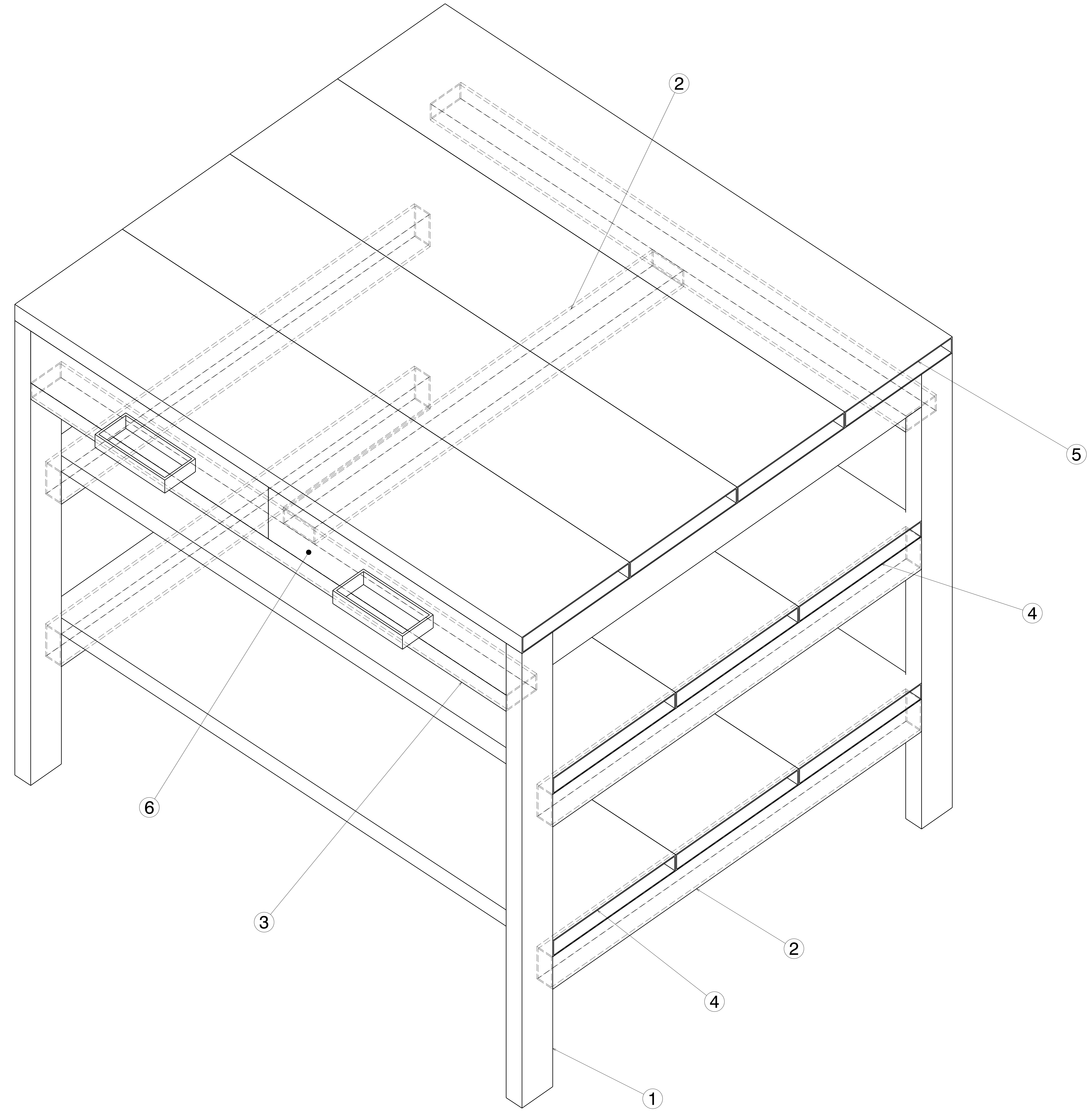
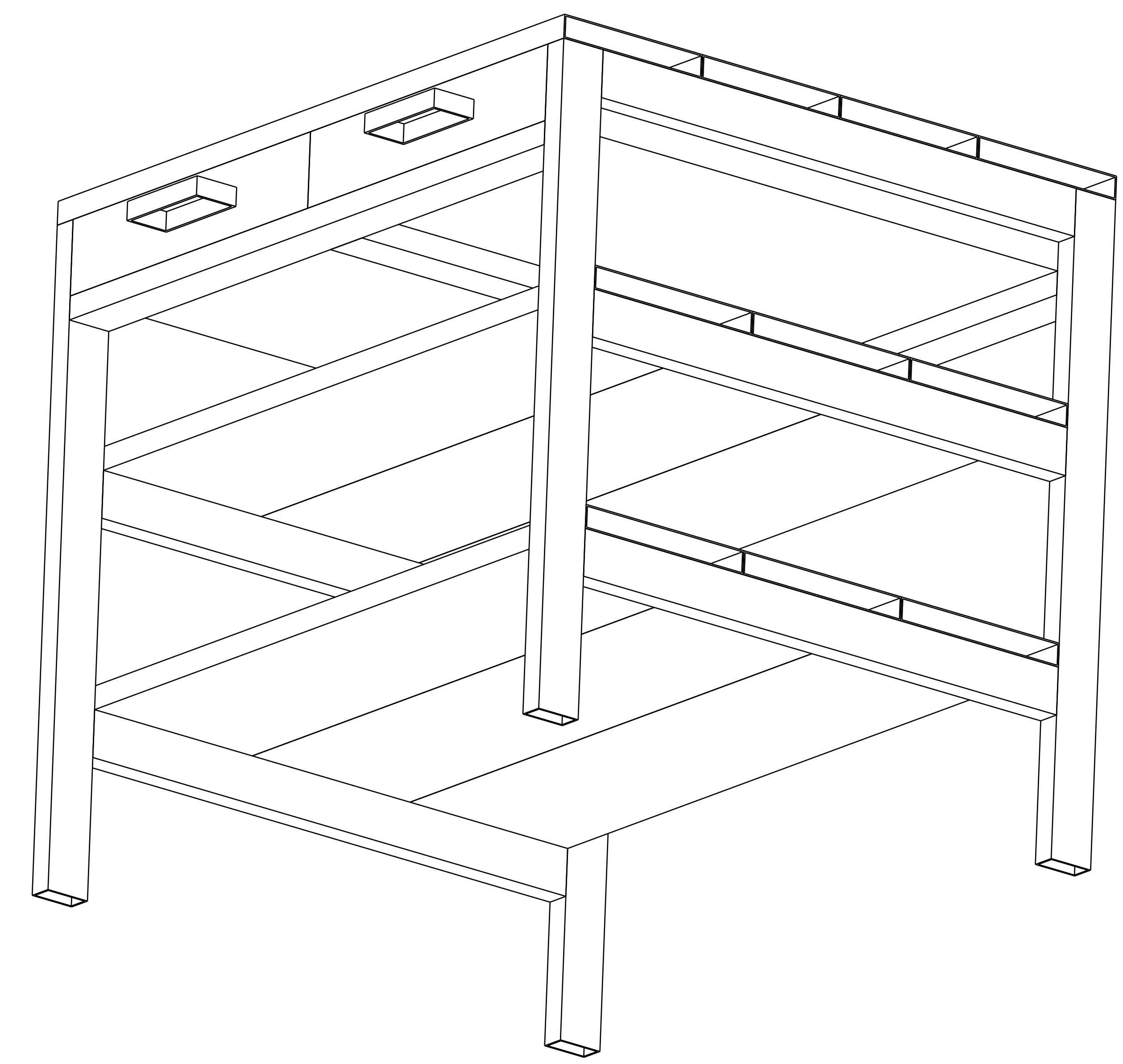


REV	DATE	DESCRIPTION
00	14JAN2021	INITIAL REVISION

- NOTES:
- (⊥) ALL VERTICAL SUPPORTS ARE PERPENDICULAR.
 - FLATNESS OF .5MM IS APPLIED BY DEFAULT.
 - ⊞ WELD BEAD OF 2MM RADIUS IS FOLLOWED.
 - ▽▽ SURFACE FINISH MEDIUM TO SMOOTH IS USED.
 - ALL TUBES ARE AS PER APL APOLLO STANDARD. CHANGES MAY EFFECT THE LOAD CAPACITY.
 - ALL HORIZONTAL AND VERTICAL TUBES ARE PERPENDICULAR TO EACH OTHER WITH ±1 DEG.
 - FINE WELDING IS REQUIRED AS PER MENTIONED DETAILS AND FINISHING.
 - HIGHER CURRENT WELDING MAY AFFECT THE BRITTLINESS OF MATERIAL WHICH LATER MAY RAISE TO WEAKENING OF STRUCTURE.
 - FABRICATORS ARE ALLOWED TO USE FITTINGS/FRAMES/SUPPORTS AS NEEDED AND THE SAME MUST BE COMMUNICATED BACK TO ENGINEERING TEAM.
 - BOP COMPONENT WEIGHTS ARE FOR REFERENCE ONLY AND SUBJECTED TO CHANGE PER PURCHASED COMPONENTS.




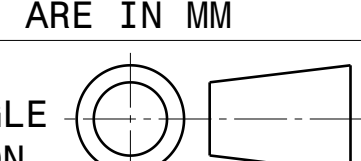
Isometric view
Scale: 1:2



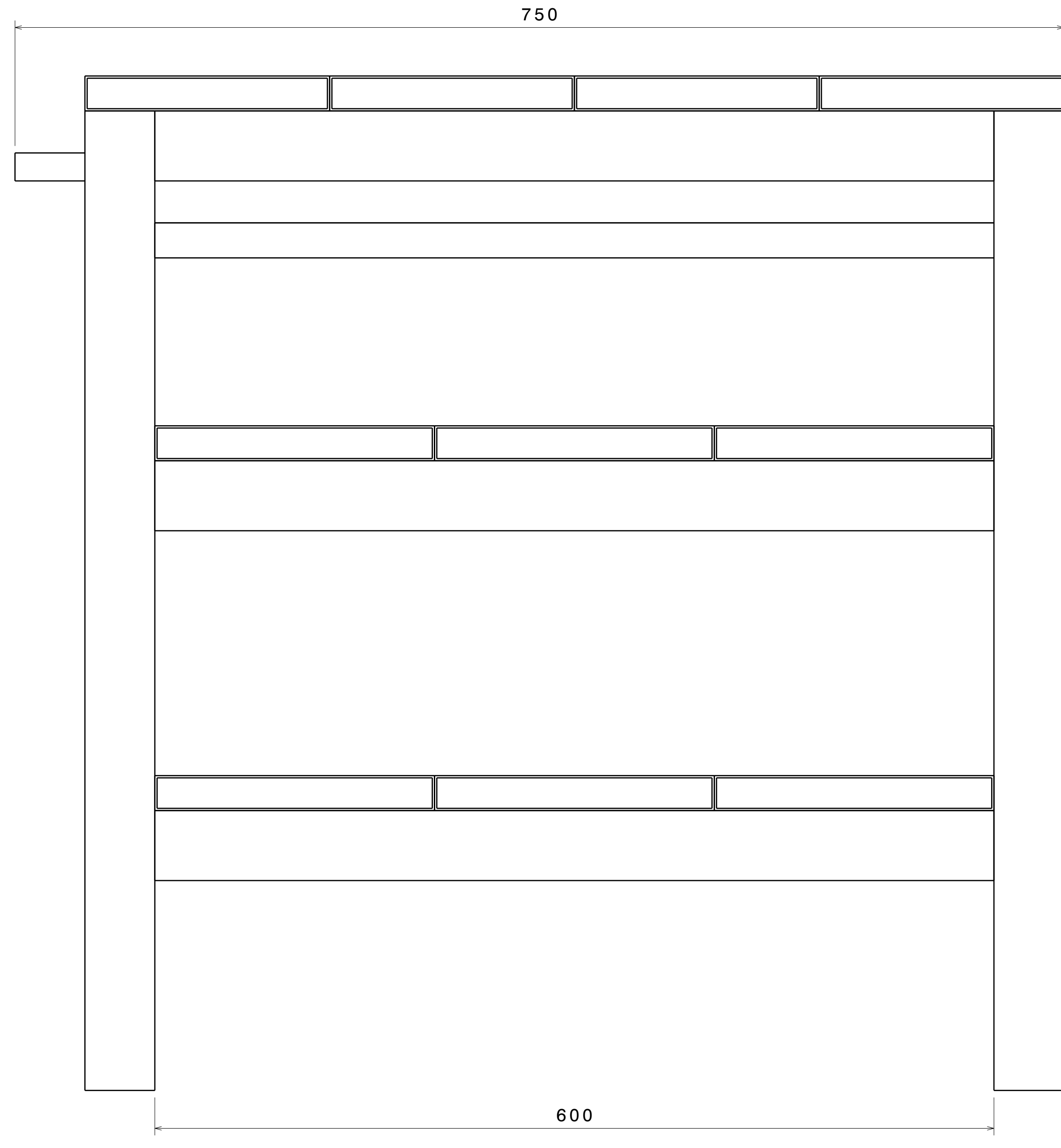
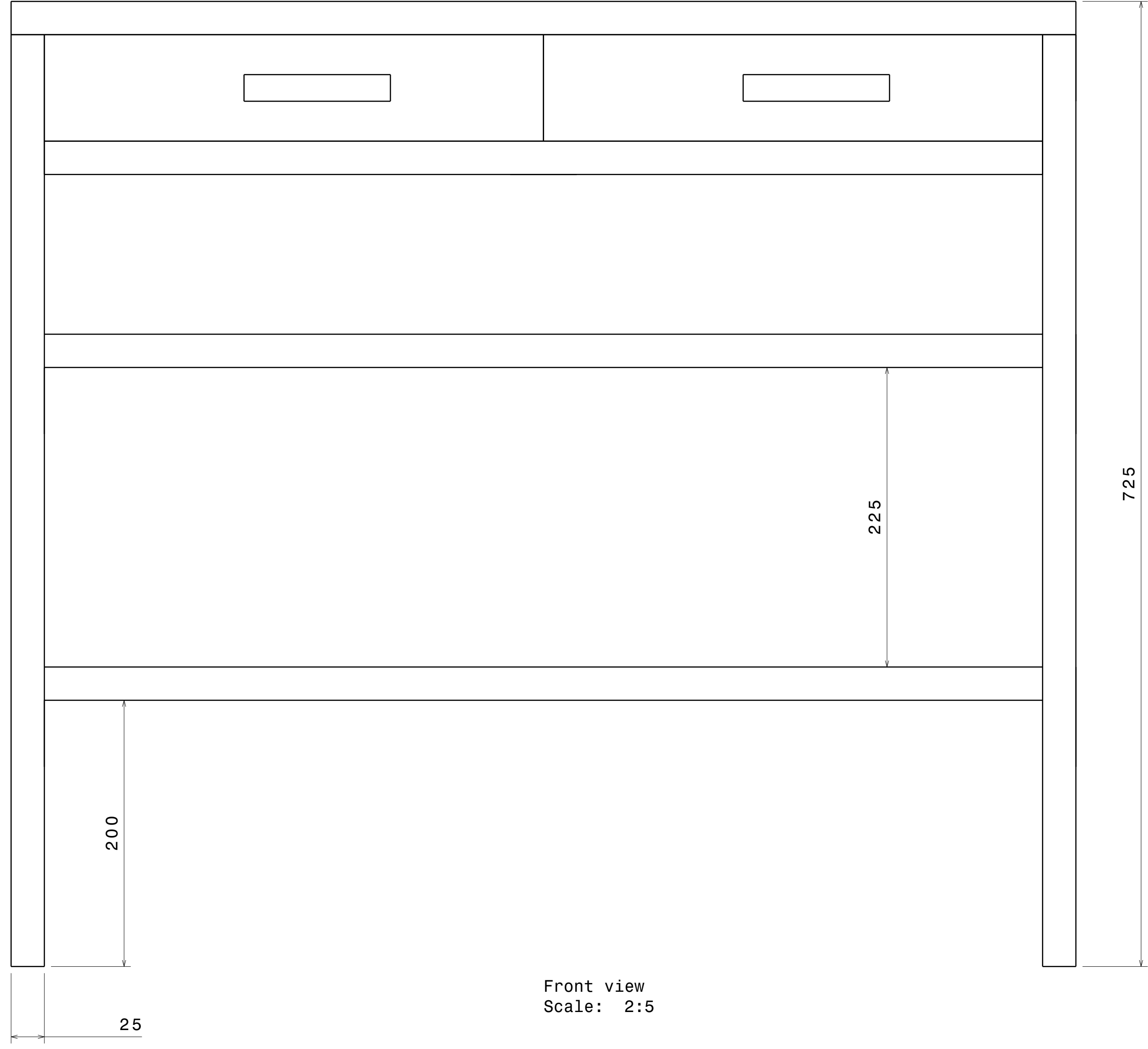
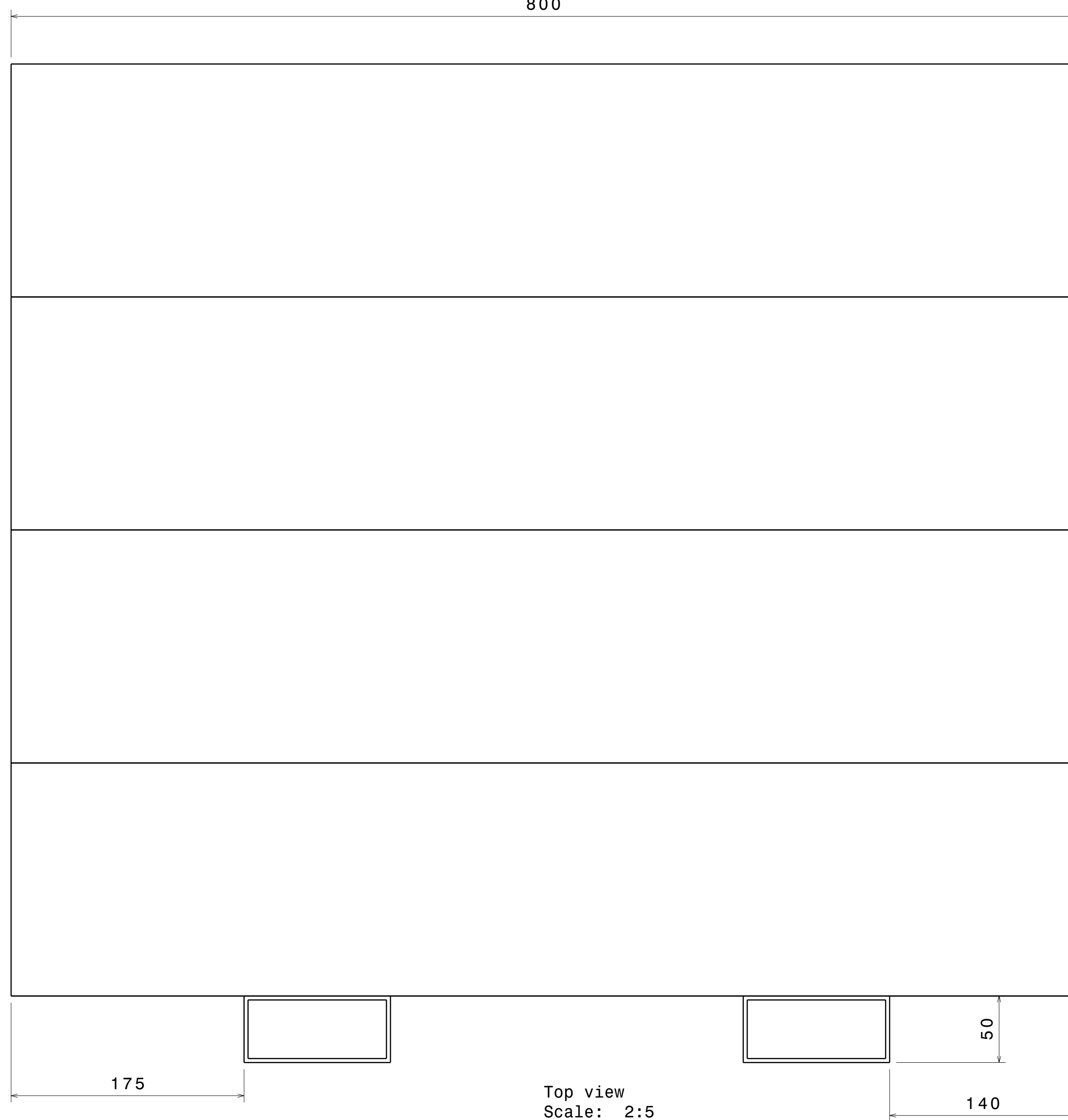
Isometric view
Scale: 3:10

ITEM NO.	PART NUMBER	DESCRIPTION	QTY.	Wt (Kg)/Each
6	DRAWER - BOP	-----	2	-----
5	PLANK 2	175 X 25 X 1.6 X 800	3	3.96
4	PLANK 1	200 X 25 X 1.6 X 800	6	4.46
3	RHS FRAME 3	50 X 25 X 2 X 750	2	1.67
2	RHS FRAME 2	50 X 25 X 2 X 600	5	1.34
1	RHS FRAME 1	50 X 25 X 2 X 700	4	1.56

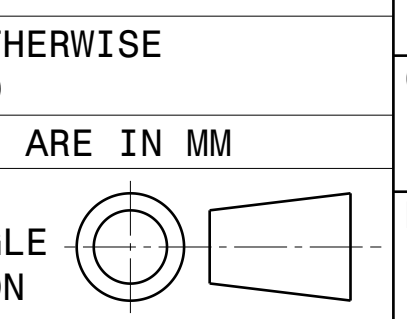
This drawing is our property. It can't be reproduced or communicated without our written agreement.		APL APOLLO TUBES LTD. 	
DRAWN BY SB		DATE 14JAN2021	
CHECKED BY P2P Analysis & Solutions		DATE 14JAN2021	
DESIGNED BY P2P Analysis & Solutions		DATE 14JAN2021	
DRAWING TITLE JAN21-19		SIZE A0	REV 00
DRAWING NUMBER P2P JAN21-19		SCALE As Indicated	WEIGHT (kg) 0kg
SHEET 1 OF 3			

UNLESS OTHERWISE SPECIFIED DIMENSION ARE IN MM VIEWS: THIRD ANGLE PROJECTION 

REV	DATE	DESCRIPTION
00	14JAN2021	INITIAL REVISION




UNLESS OTHERWISE SPECIFIED DIMENSION ARE IN MM
 VIEWS: THIRD ANGLE PROJECTION

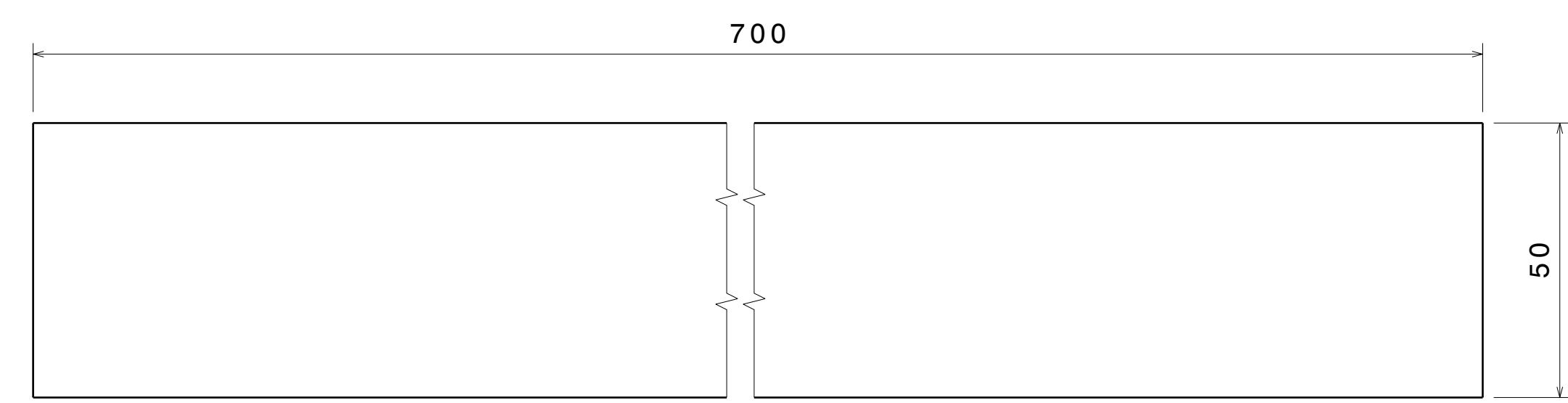


This drawing is our property. It can't be reproduced or communicated without our written agreement.

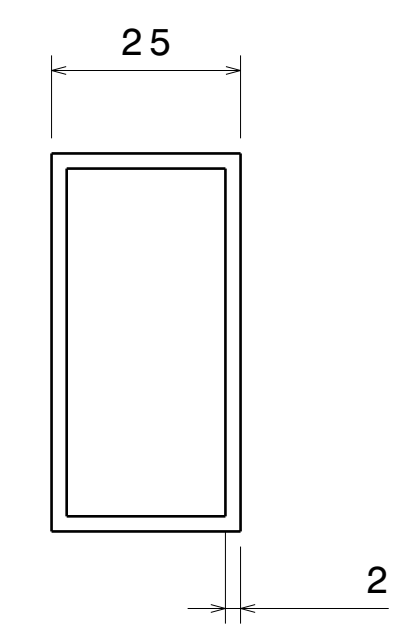
DRAWN BY	DATE
SB	14JAN2021
CHECKED BY	DATE
P2P Analysis & Solutions	14JAN2021
DESIGNED BY	DATE
P2P Analysis & Solutions	14JAN2021

APL APOLLO TUBES LTD. 			
DRAWING TITLE			
JAN21 - 19			
SIZE	DRAWING NUMBER	REV	
A0	P2P JAN21 - 19	00	
SCALE	NONE	WEIGHT (kg)	XXX
			SHEET 2 OF 3

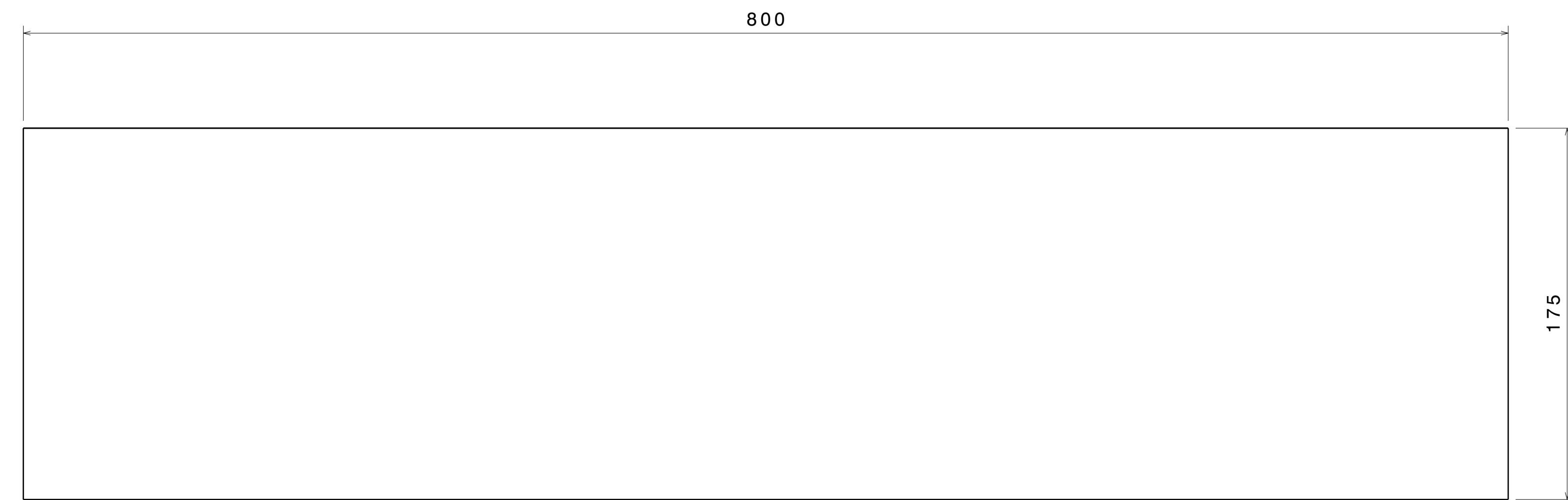
REV	DATE	DESCRIPTION
00	14JAN2021	INITIAL REVISION



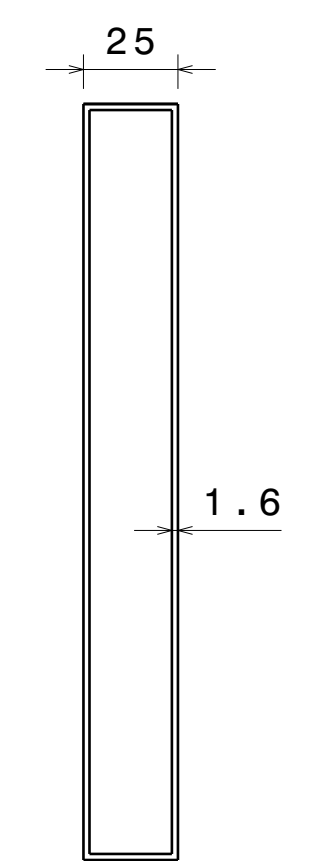
ITEM 1



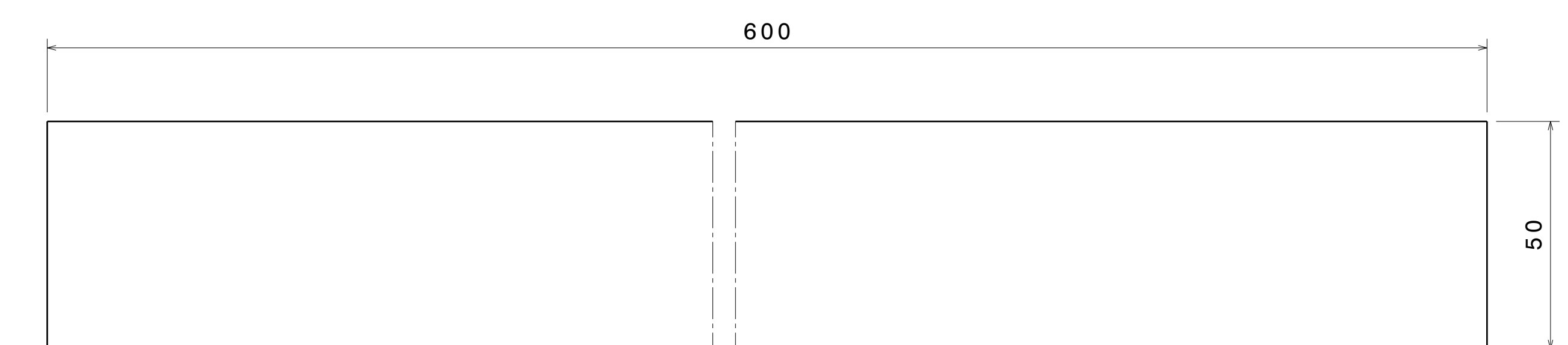
Right view
Scale: 1:1



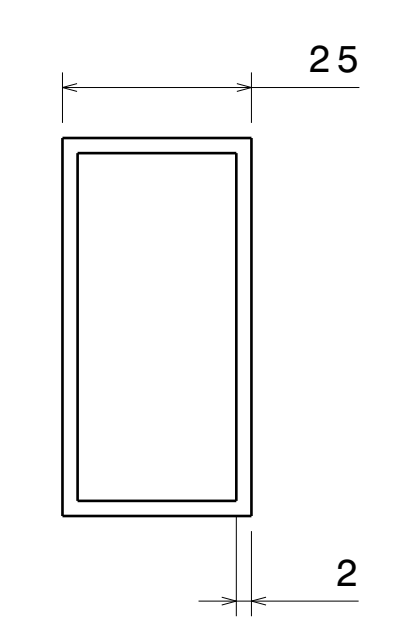
ITEM 5



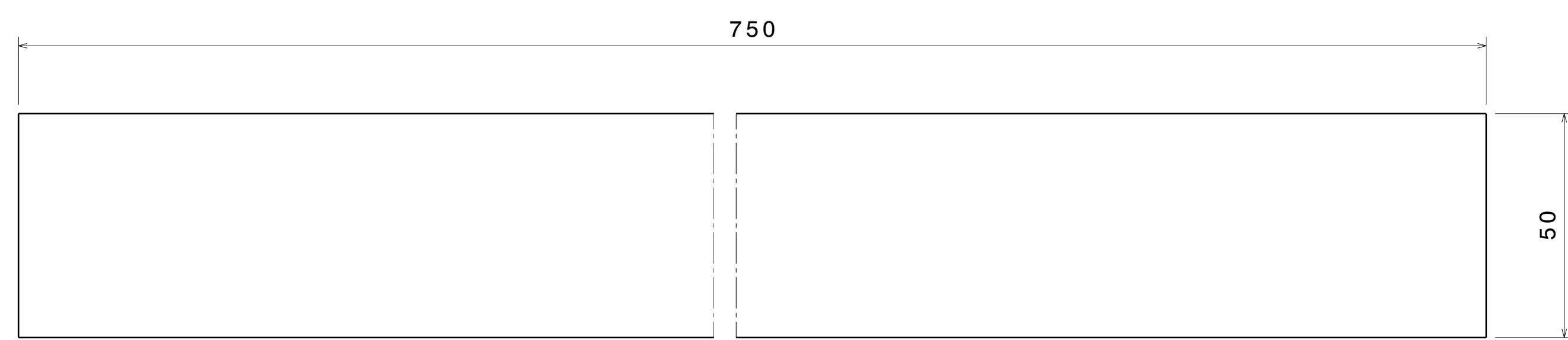
Right view[2]
Scale: 1:2



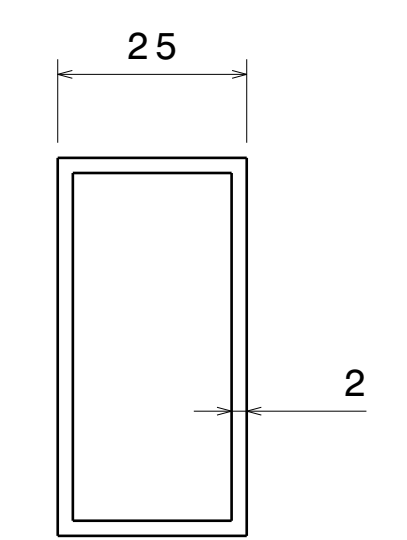
ITEM 2



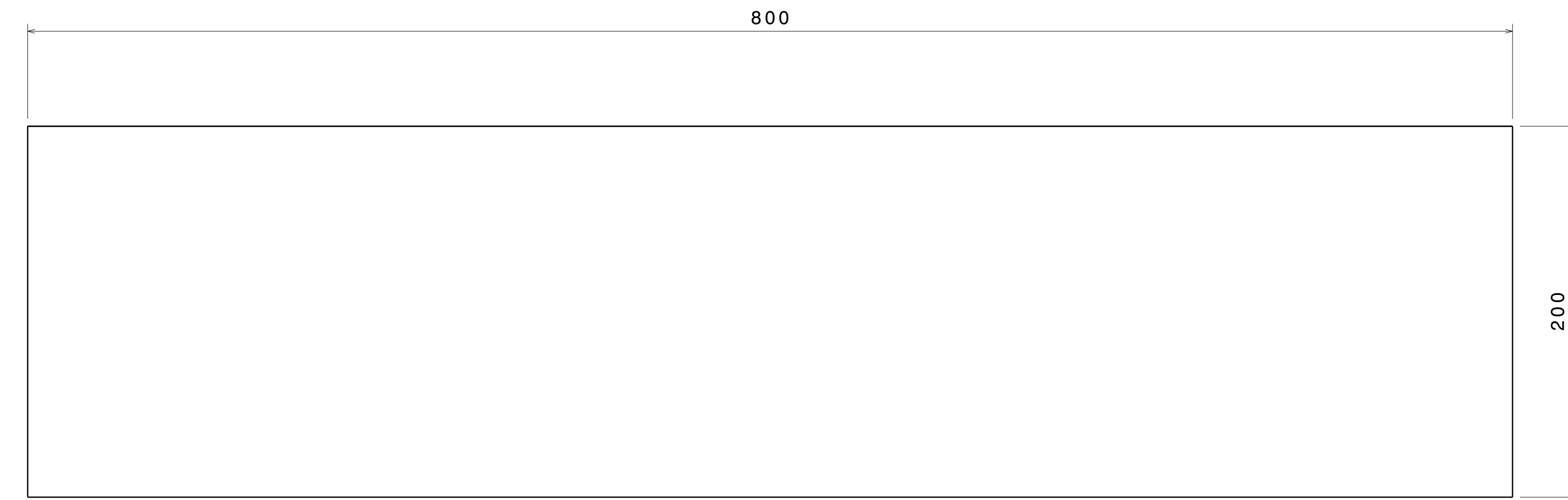
Right view
Scale: 1:1



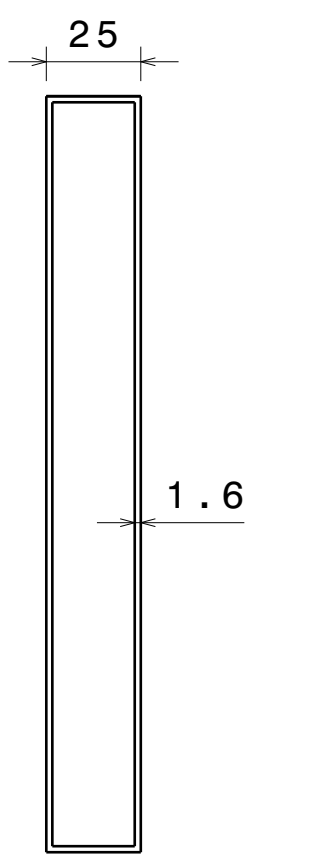
ITEM 3



Right view
Scale: 1:1



ITEM 4



Right view
Scale: 1:2

UNLESS OTHERWISE SPECIFIED DIMENSION ARE IN MM
VIEWS: THIRD ANGLE PROJECTION

This drawing is our property. It can't be reproduced or communicated without our written agreement.		APL APOLLO TUBES LTD.	
DRAWN BY SB		DATE 14JAN2021	
CHECKED BY P2P Analysis & Solutions		DATE 14JAN2021	
DESIGNED BY P2P Analysis & Solutions		DATE 14JAN2021	
SIZE A0	DRAWING NUMBER P2P JAN21 - 19		REV 00
SCALE NONE	WEIGHT (kg)	XXX	SHEET 3 OF 3