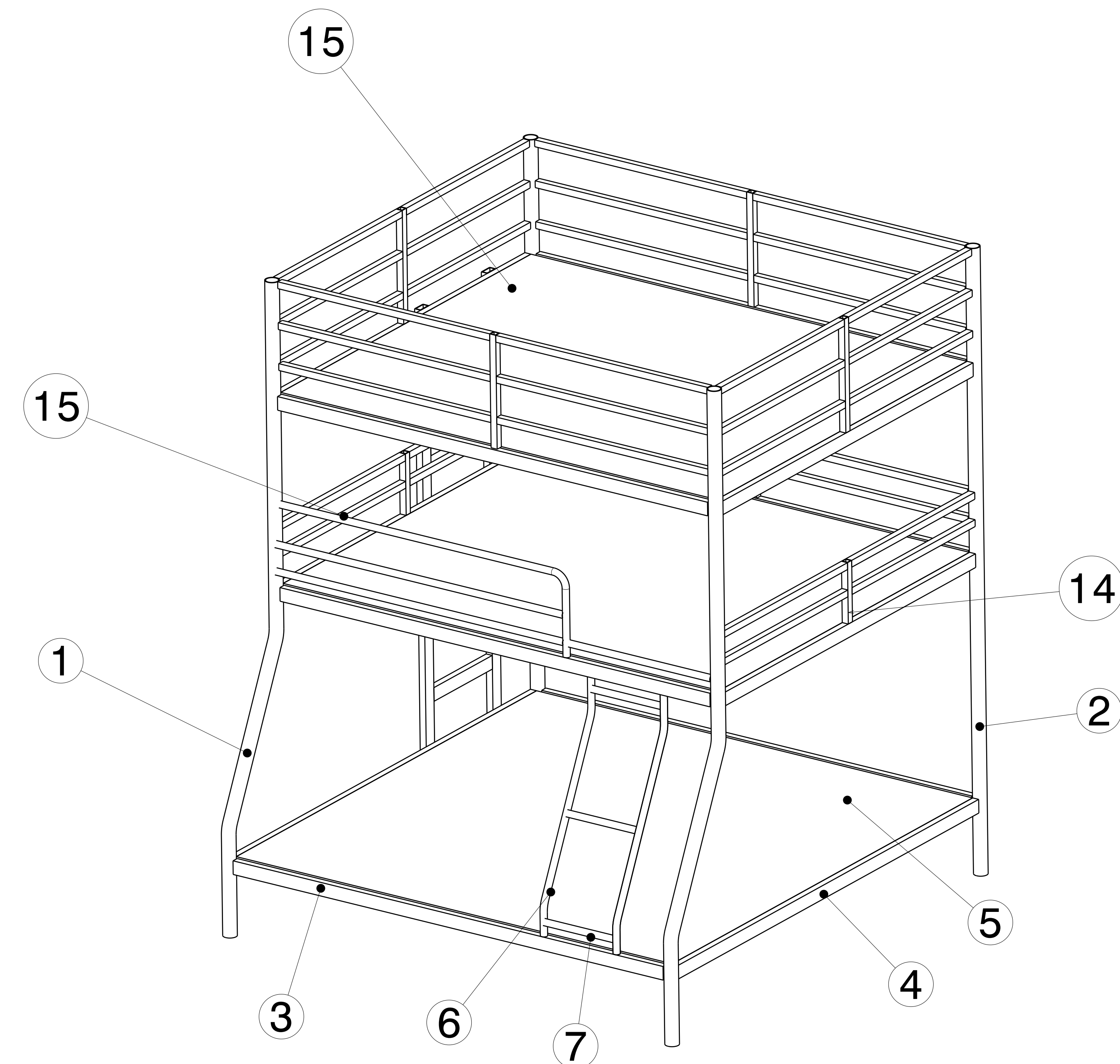


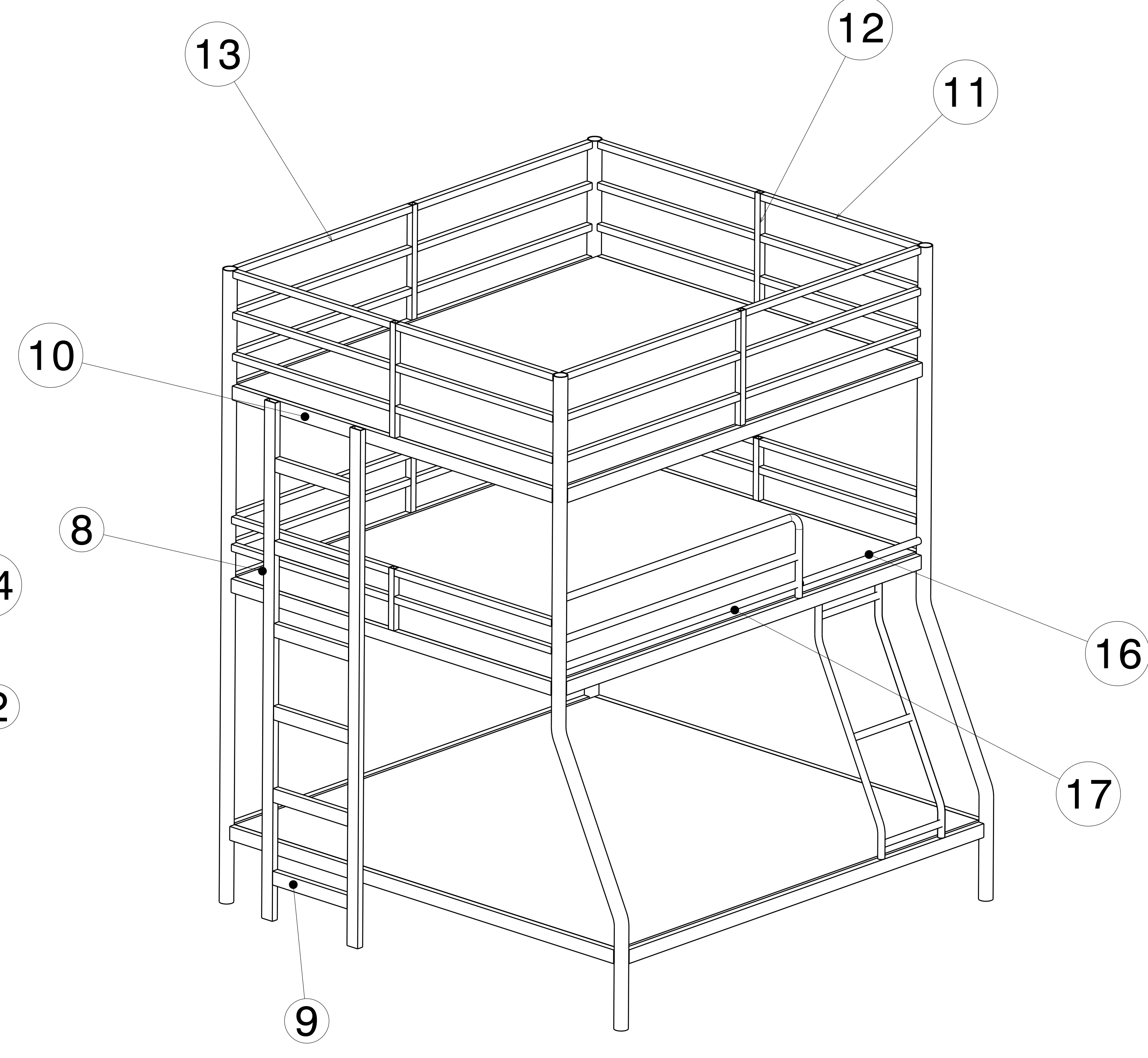
REV/DATE	DESCRIPTION
00 / 13JAN2021	INITIAL REVISION

NOTES:

- (⊥) ALL VERTICAL SUPPORTS ARE PERPENDICULAR.
- FLATNESS OF .5MM IS APPLIED BY DEFAULT.
- ⊞ WELD BEAD OF 2MM RADIUS IS FOLLOWED.
- ▽▽ SURFACE FINISH MEDIUM TO SMOOTH IS USED.
- ALL TUBES ARE AS PER APL APOLLO STANDARD. CHANGES MAY EFFECT THE LOAD CAPACITY.
- ALL HORIZONTAL AND VERTICAL TUBES ARE PERPENDICULAR TO EACH OTHER WITH ±1 DEG.
- FINE WELDING IS REQUIRED AS PER MENTIONED DETAILS AND FINISHING.
- HIGHER CURRENT WELDING MAY AFFECT THE BRITTLENESS OF MATERIAL WHICH LATER MAY RAISE TO WEAKENING OF STRUCTURE.
- FABRICATORS ARE ALLOWED TO USE FITTINGS/FRAMES/SUPPORTS AS NEEDED AND THE SAME MUST BE COMMUNICATED BACK TO ENGINEERING TEAM.
- BOP COMPONENT WEIGHTS ARE FOR REFERENCE ONLY AND SUBJECTED TO CHANGE PER PURCHASED COMPONENTS.




ISOMETRIC VIEW  
SCALE : 1:10



ISOMETRIC VIEW  
SCALE : 1:10

ITEM NO.	PART NUMBER	DESCRIPTION	QTY.	Wt (Kg) /Each
17	CIRCULAR FRAME 7	DIA 25 X 2.6 X 1190	2	1.71
16	CIRCULAR FRAME 6	DIA 25 X 2.6 X 590	1	0.85
15	CIRCULAR FRAME 5	DIA 25 X 2.6 X 1180	1	2.1
14	SHS FRAME 4	25 X 25 X 2.6 X 225	3	0.41
13	SHS FRAME 3	25 X 25 X 2.6 X 875	12	1.6
12	SHS FRAME 2	25 X 25 X 2.6 X 417.33	4	0.76
11	SHS FRAME 1	25 X 25 X 2.6 X 737.5	20	1.35
10	RHS FRAME 5	50 X 25 X 2.6 X 1500	4	4.28
9	RHS FRAME 4	50 X 25 X 2.6 X 350	6	1.0
8	RHS FRAME 3	50 X 25 X 2.6 X 1883	2	5.37
7	CIRCULAR FRAME 4	DIA 25 X 2.6 X 300	3	0.43
6	CIRCULAR FRAME 3	DIA 25 X 2.6 X 850	2	1.32
5	RHS PLANK 1	200 X 25 X 2 X 1800	9	12.51
4	RHS FRAME 2	50 X 25 X 2.6 X 1800	2	5.14
3	RHS FRAME 1	50 X 25 X 2.6 X 1775	6	5.06
2	CIRCULAR FRAME 2	DIA 50 X 2.9 X 2300	2	7.76
1	CIRCULAR FRAME 1	DIA 50 X 2.9 X 2300	2	8.0

This drawing is our property. It can't be reproduced or communicated without our written agreement.

**APL APOLLO TUBES LTD.** 

DRAWING TITLE: **JAN21-4**

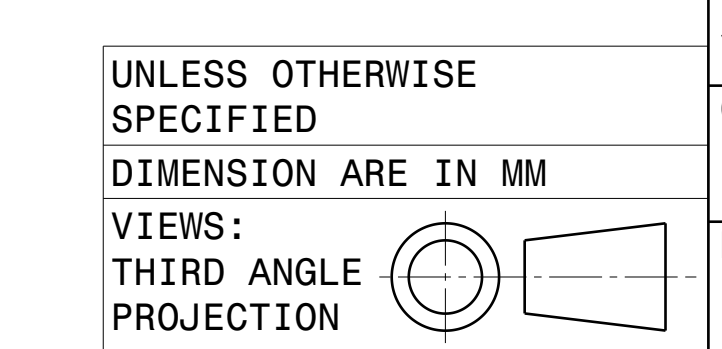
DRAWN BY: **VM** DATE: **13JAN2021**

CHECKED BY: **P2P Analysis & Solutions** DATE: **13JAN2021**

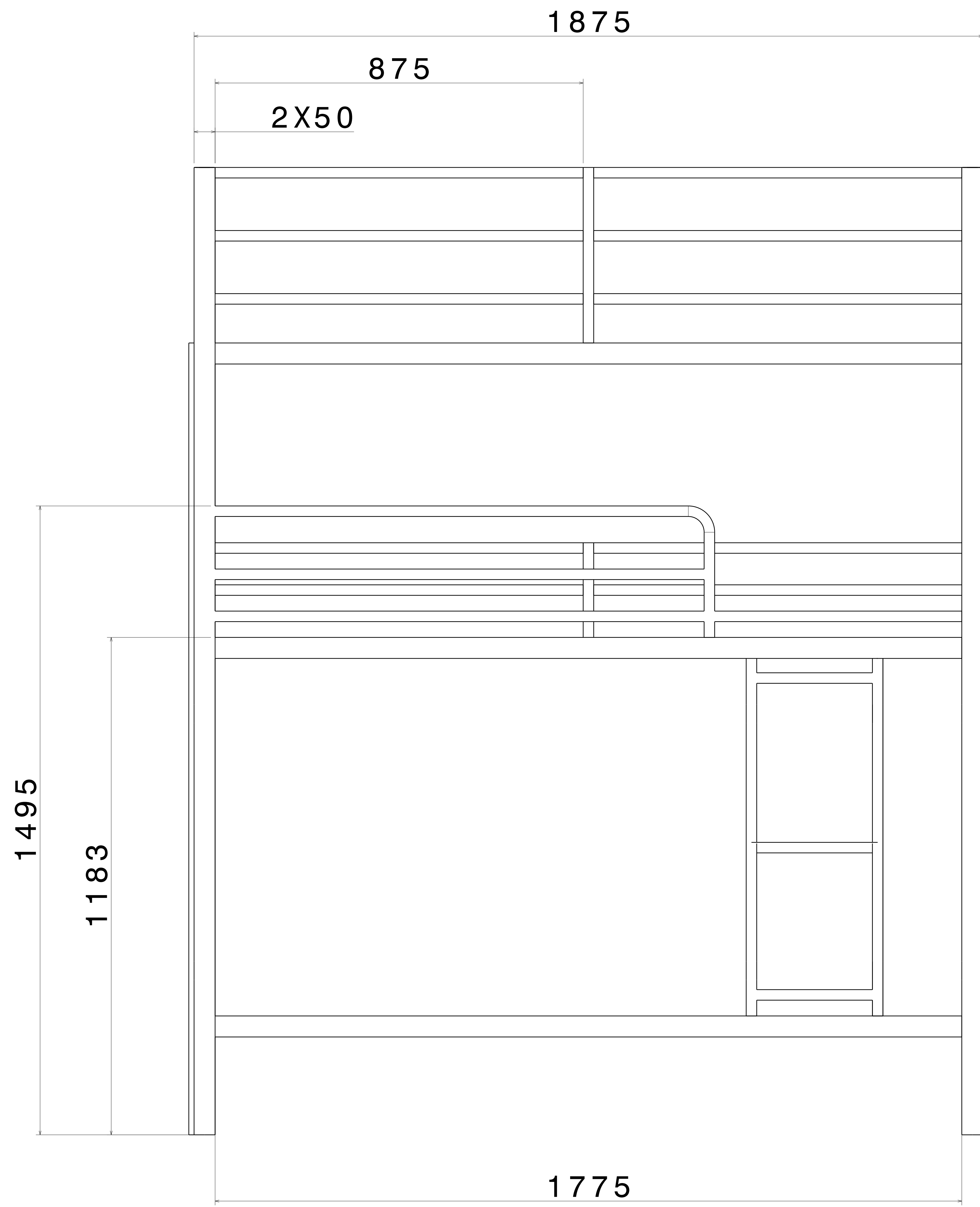
DESIGNED BY: **P2P Analysis & Solutions** DATE: **13JAN2021**

SIZE: **A0** DRAWING NUMBER: **P2P JAN21-4** REV: **00**

SCALE: **As Indicated** WEIGHT (kg): **0kg** SHEET **1** OF **3**



REV	DATE	DESCRIPTION
00	13JAN2021	INITIAL REVISION

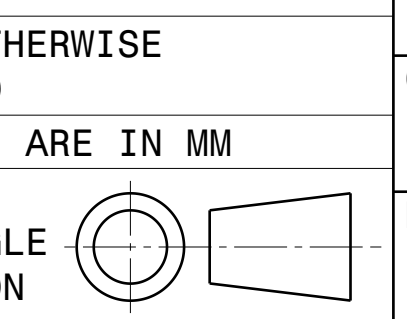



FRONT VIEW  
SCALE: 1:5



RIGHT VIEW  
SCALE: 1:5

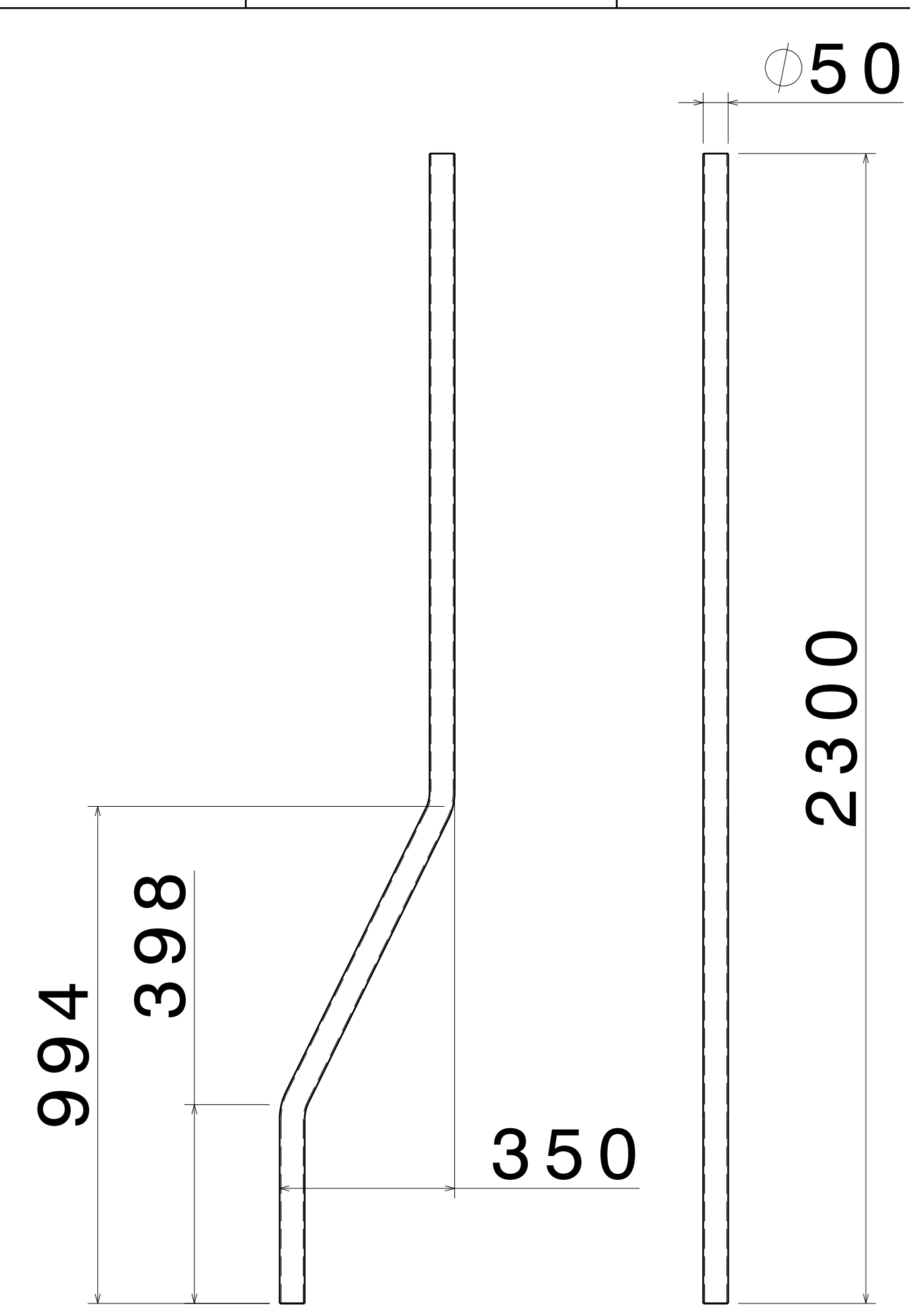
UNLESS OTHERWISE SPECIFIED DIMENSION ARE IN MM  
VIEWS: THIRD ANGLE PROJECTION



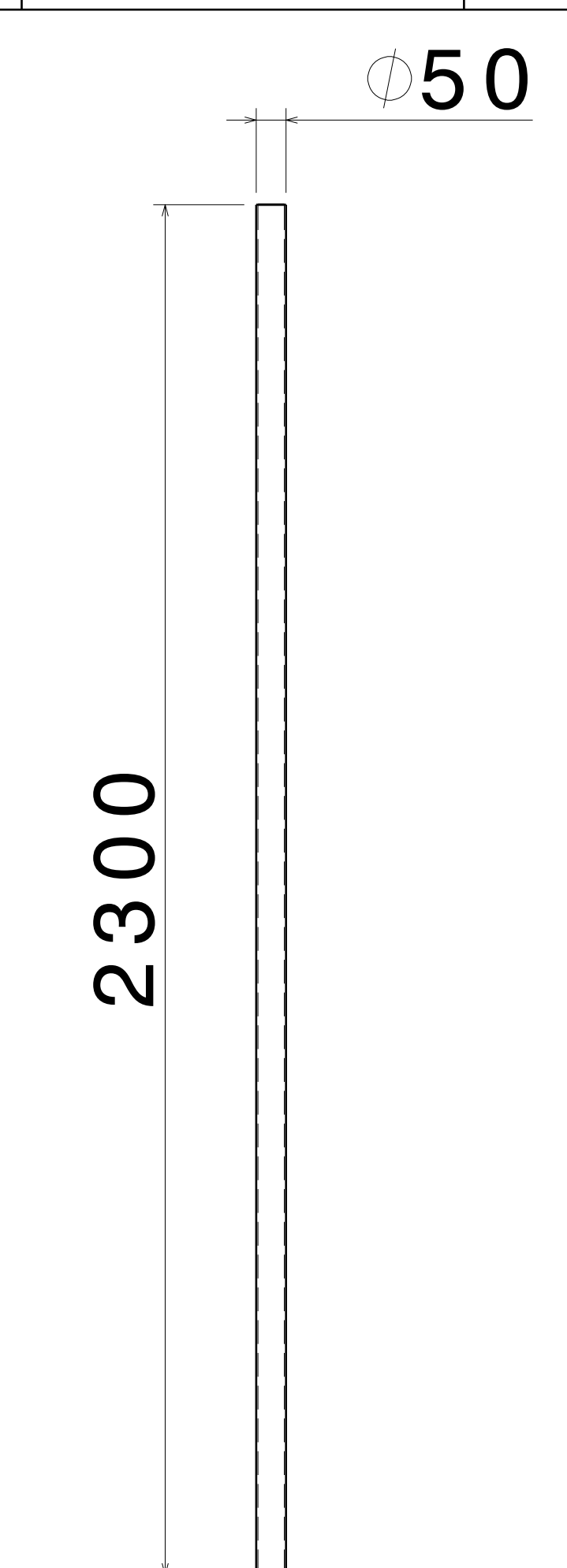
This drawing is our property. It can't be reproduced or communicated without our written agreement.		APL APOLLO TUBES LTD. 	
DRAWN BY SB		DATE 13JAN2021	
CHECKED BY P2P Analysis & Solutions		DATE 13JAN2021	
DESIGNED BY P2P Analysis & Solutions		DATE 13JAN2021	
SIZE A0	DRAWING NUMBER P2P JAN21-4	REV 00	
SCALE NONE	WEIGHT (kg) XXX	SHEET 2 OF 3	

DRAWING TITLE  
JAN21-4

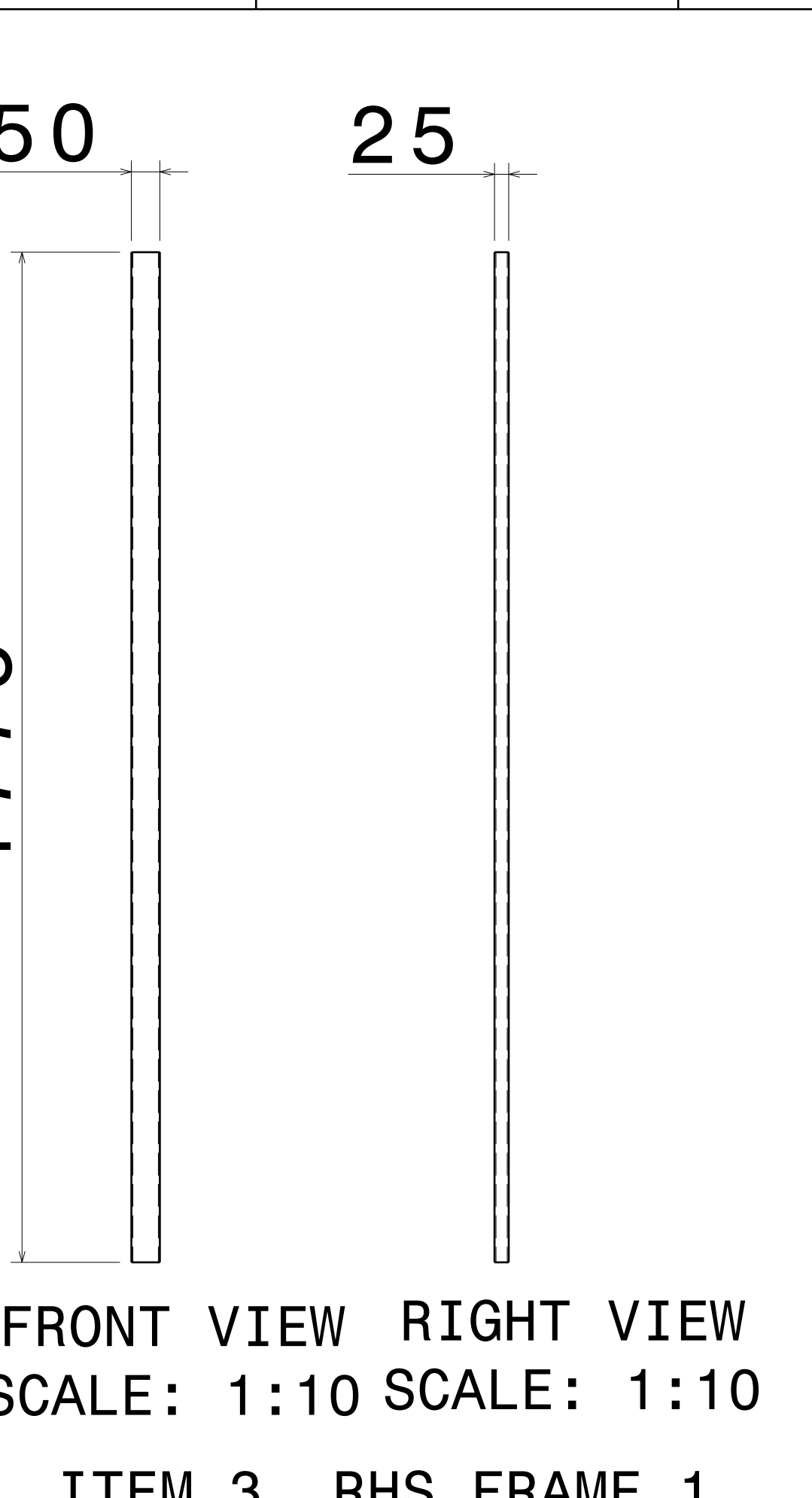
REV	DATE	DESCRIPTION
00	13JAN2021	INITIAL REVISION



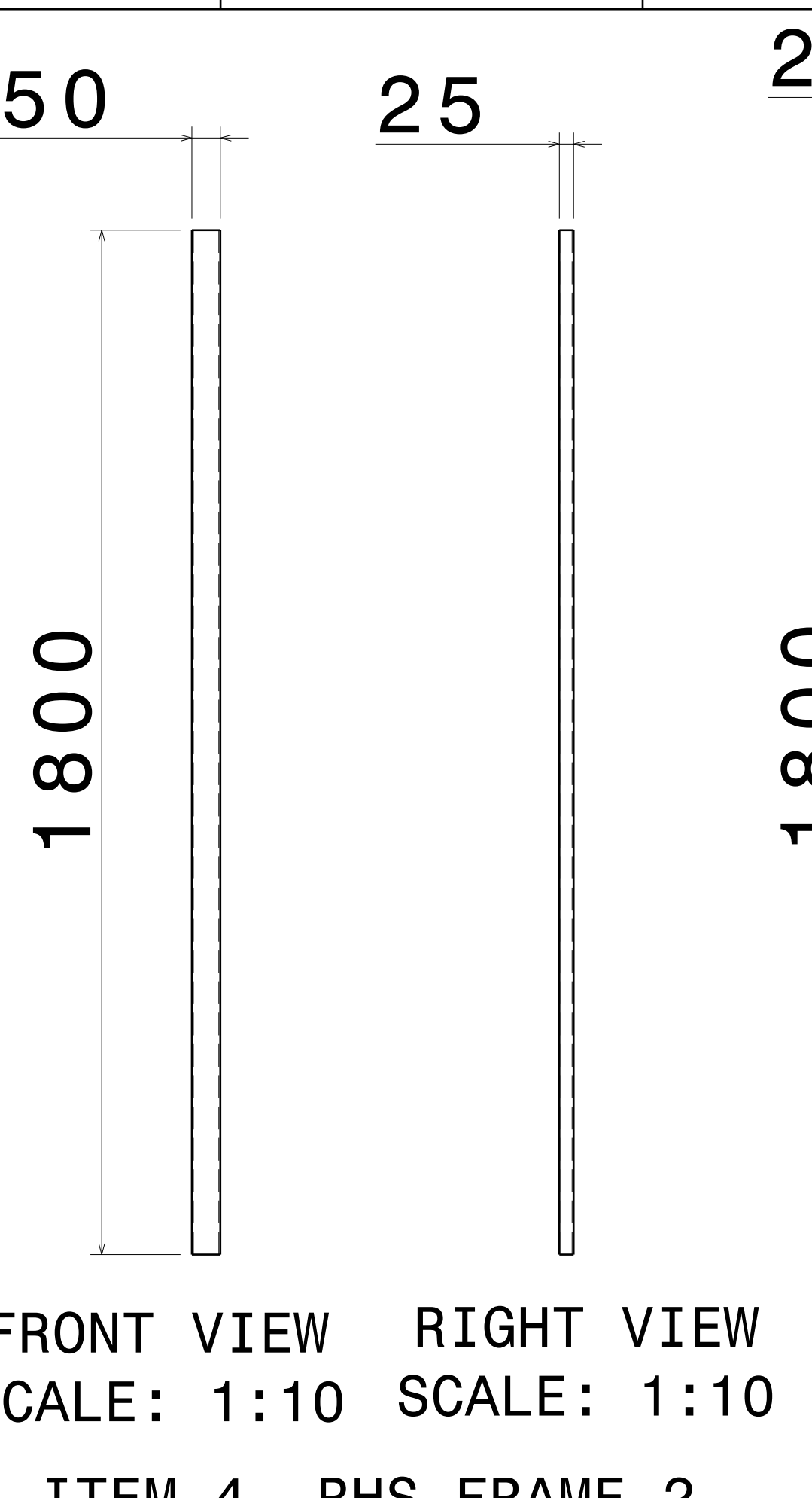
FRONT VIEW RIGHT VIEW  
SCALE: 1:10 SCALE: 1:10  
ITEM 1, CIRCULAR FRAME 1  
THICKNESS - 2.9MM



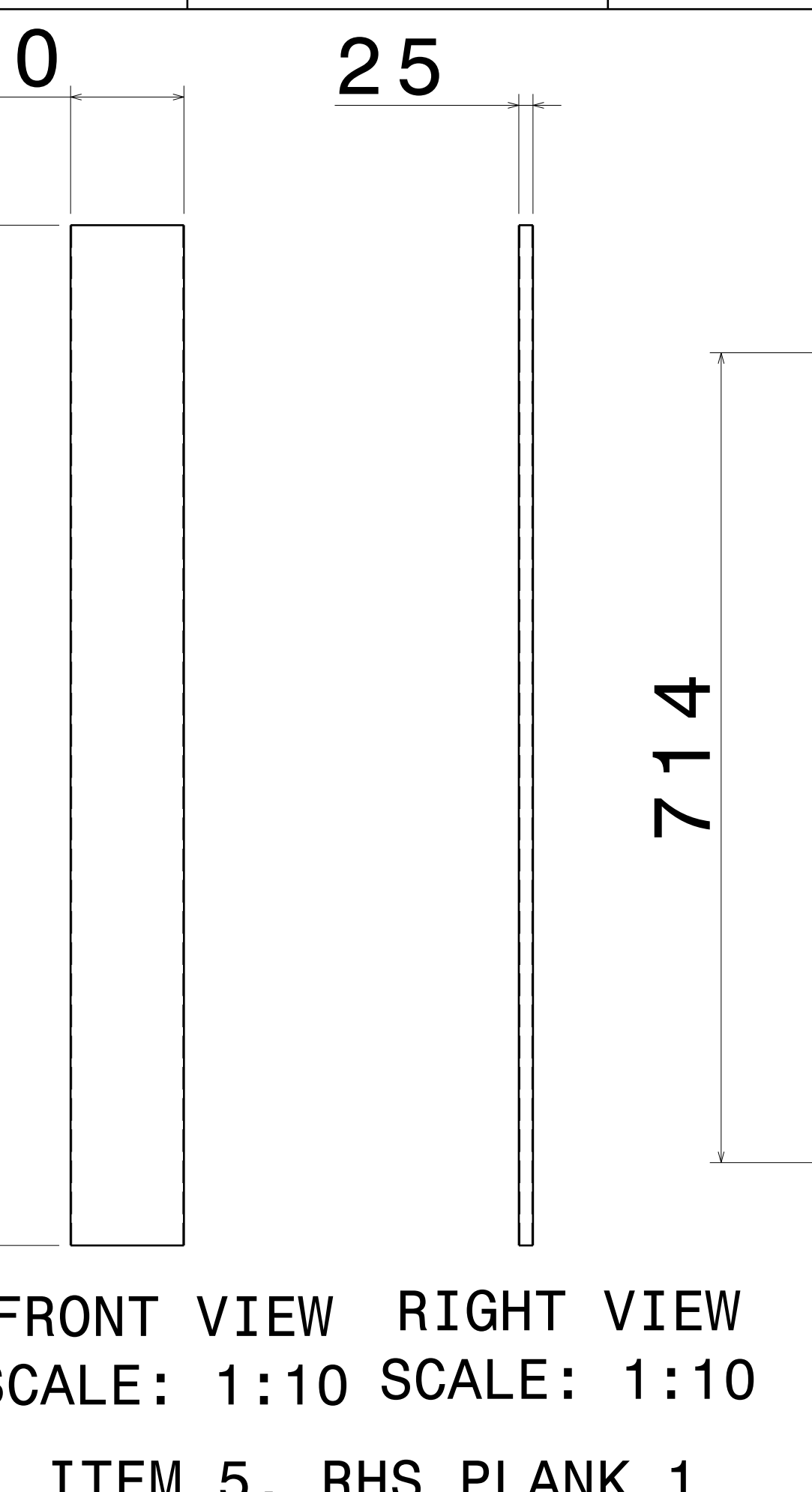
FRONT VIEW  
SCALE: 1:10  
ITEM 2, CIRCULAR FRAME 2  
THICKNESS - 2.9MM



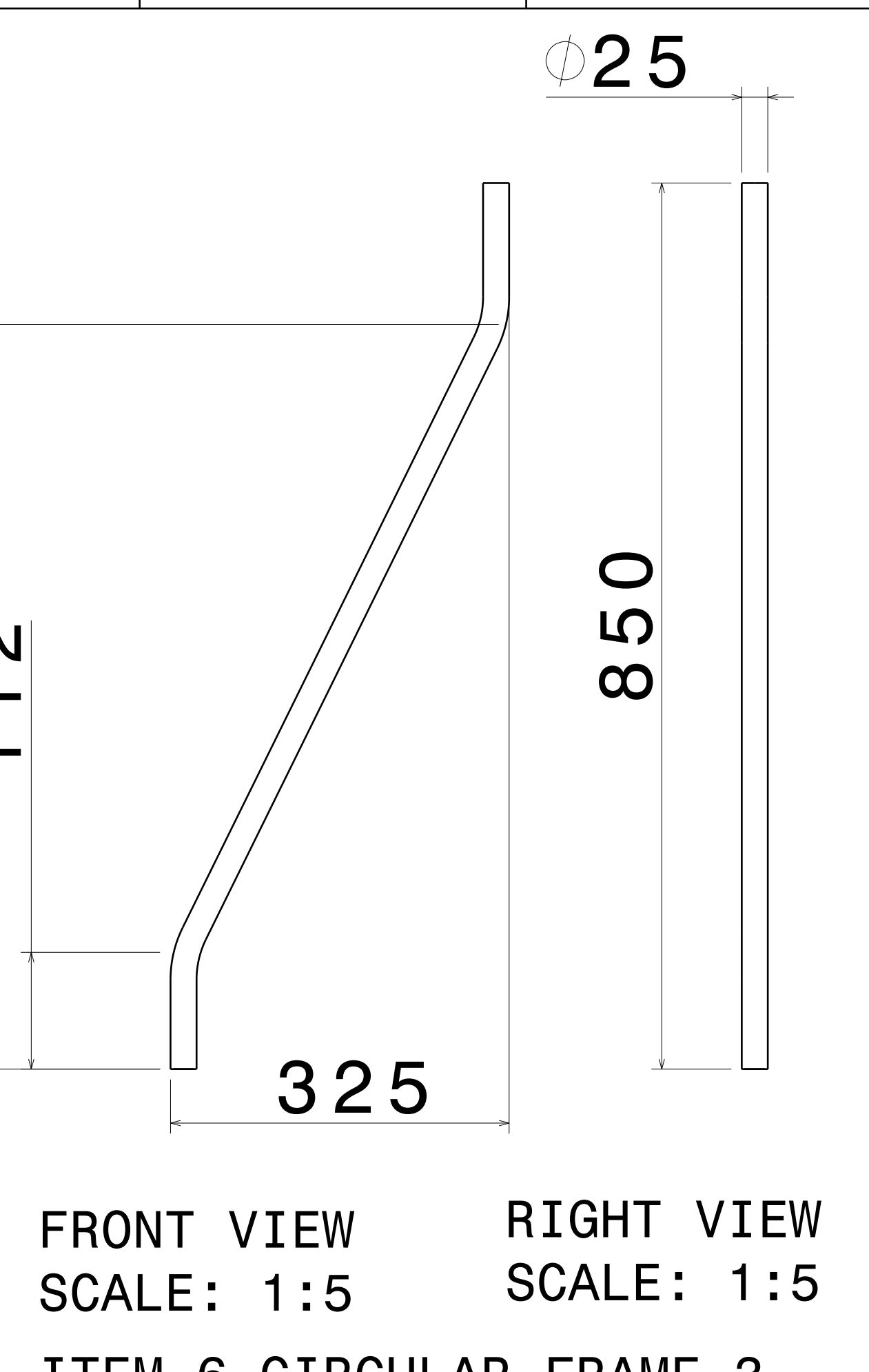
FRONT VIEW RIGHT VIEW  
SCALE: 1:10 SCALE: 1:10  
ITEM 3, RHS FRAME 1  
THICKNESS - 2.6MM



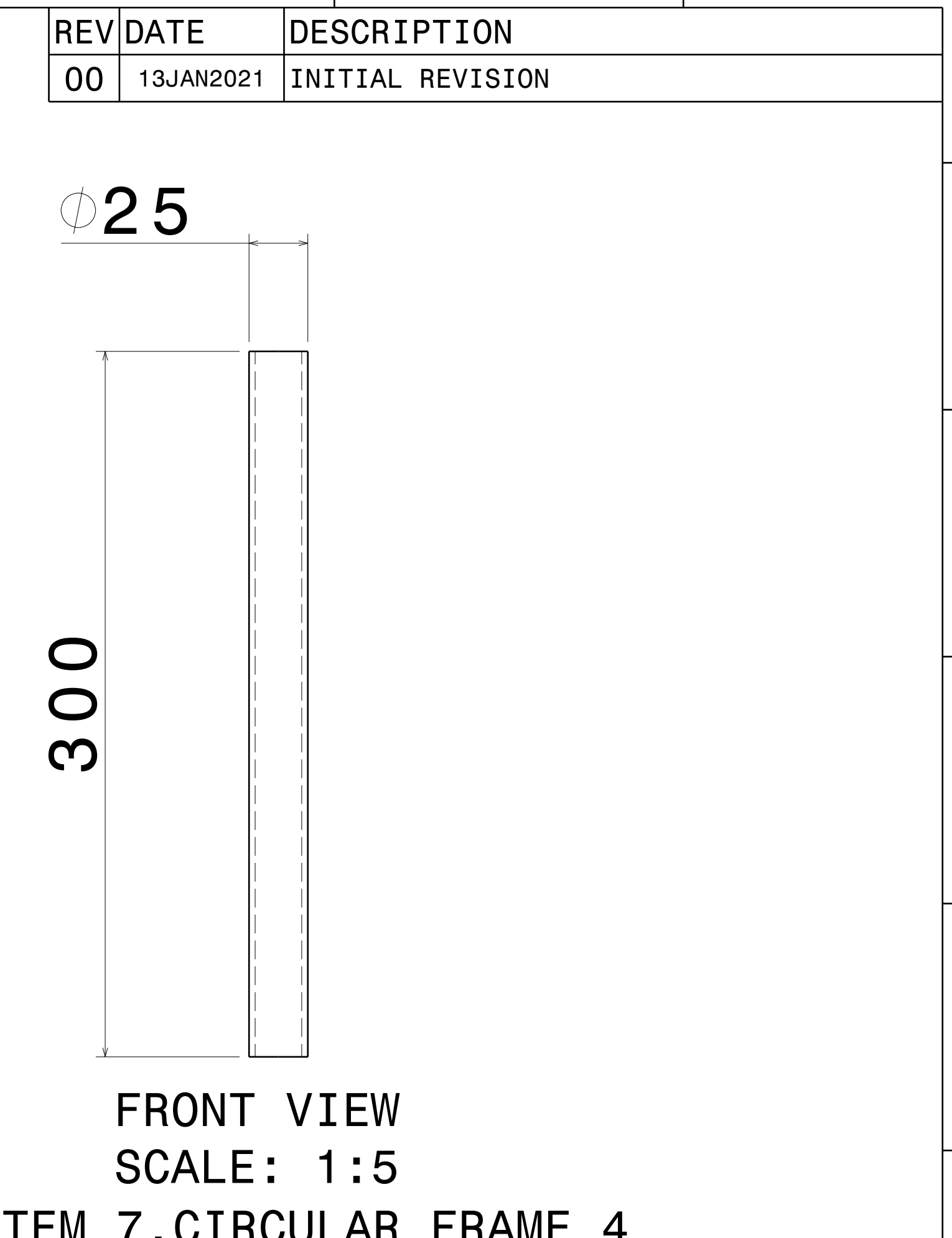
FRONT VIEW RIGHT VIEW  
SCALE: 1:10 SCALE: 1:10  
ITEM 4, RHS FRAME 2  
THICKNESS - 2.6MM



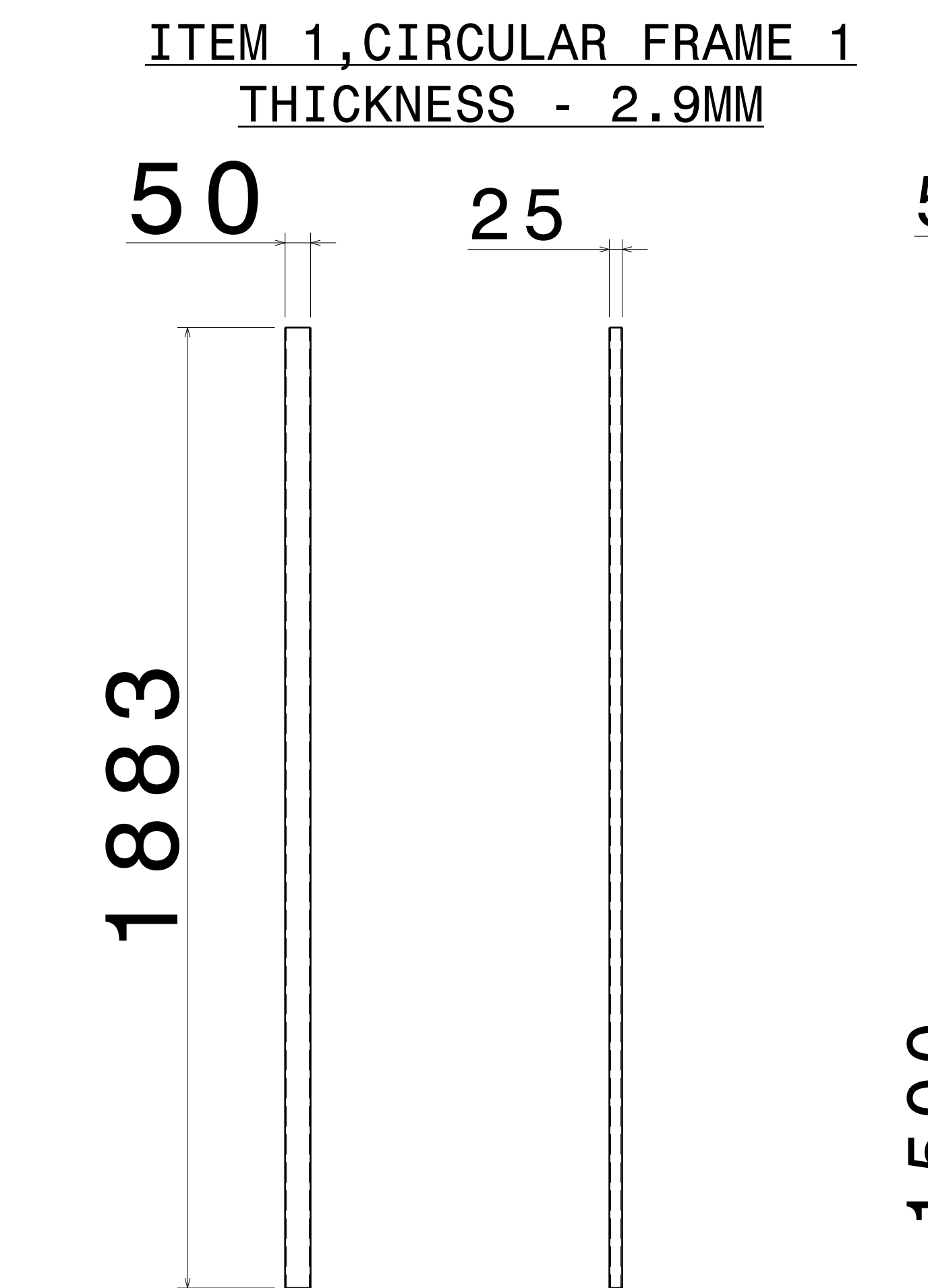
FRONT VIEW RIGHT VIEW  
SCALE: 1:10 SCALE: 1:10  
ITEM 5, RHS PLANK 1  
THICKNESS - 2.0MM



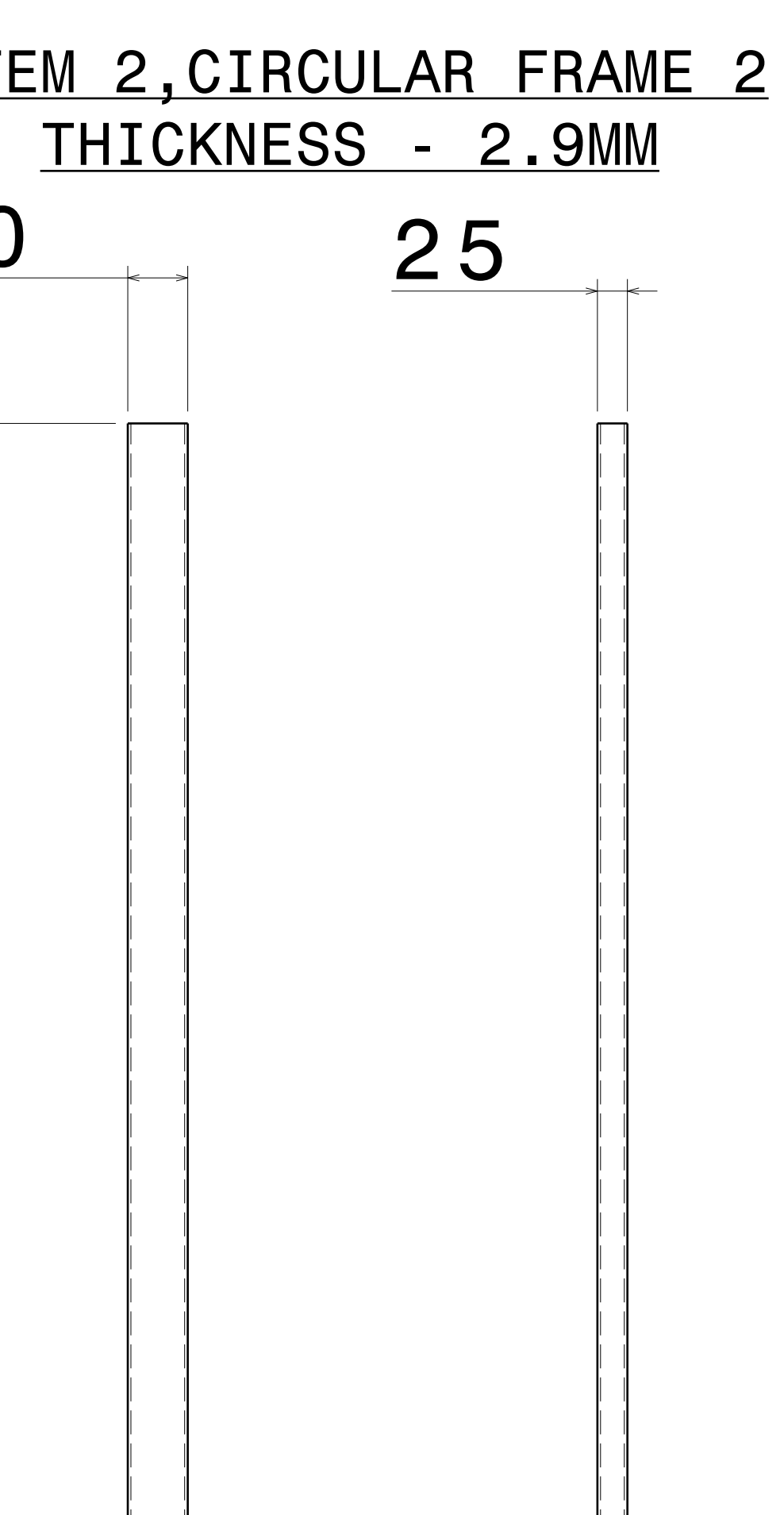
FRONT VIEW RIGHT VIEW  
SCALE: 1:5 SCALE: 1:5  
ITEM 6, CIRCULAR FRAME 3  
THICKNESS - 2.6MM



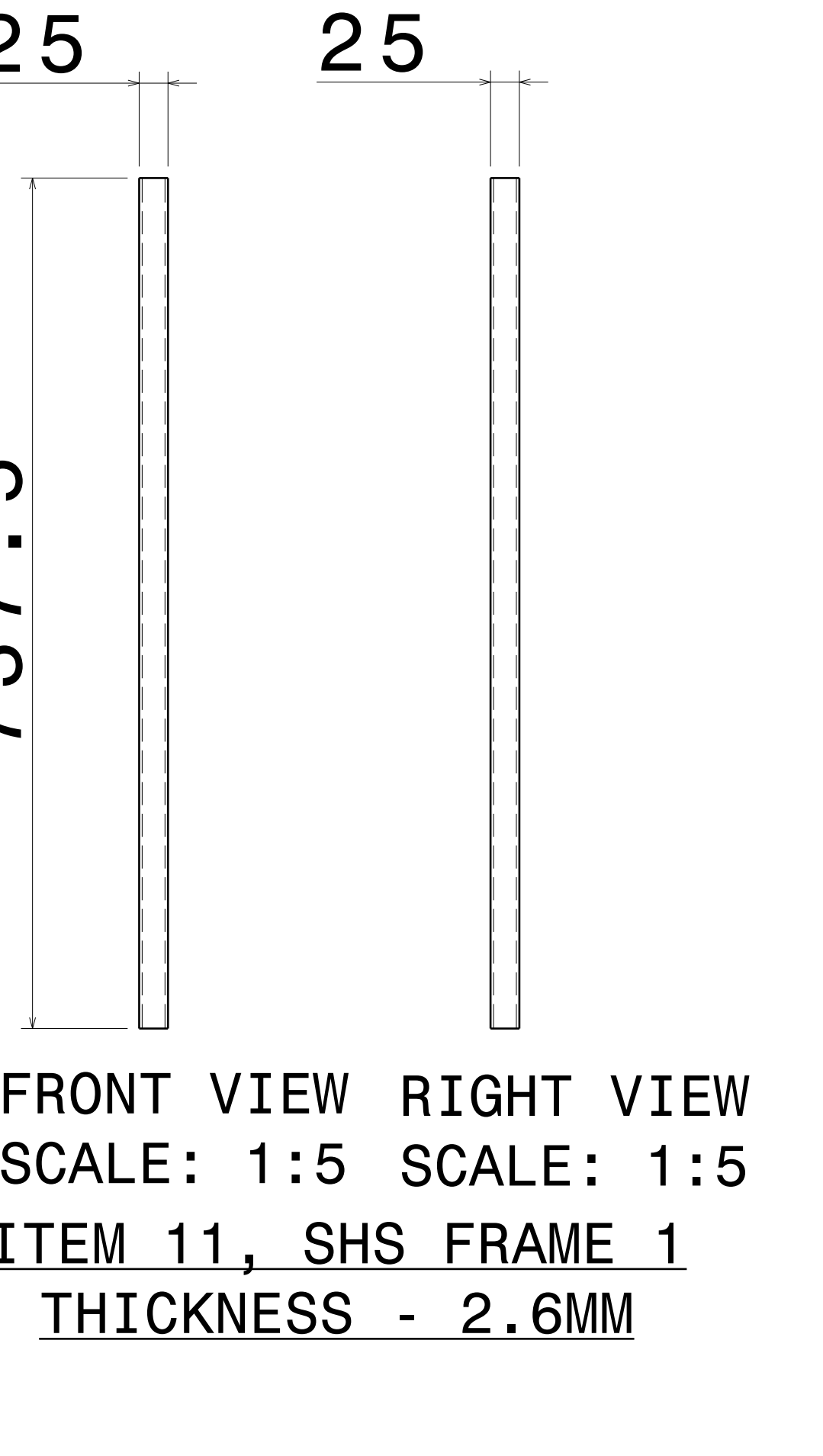
FRONT VIEW  
SCALE: 1:5  
ITEM 7, CIRCULAR FRAME 4  
THICKNESS - 2.6MM



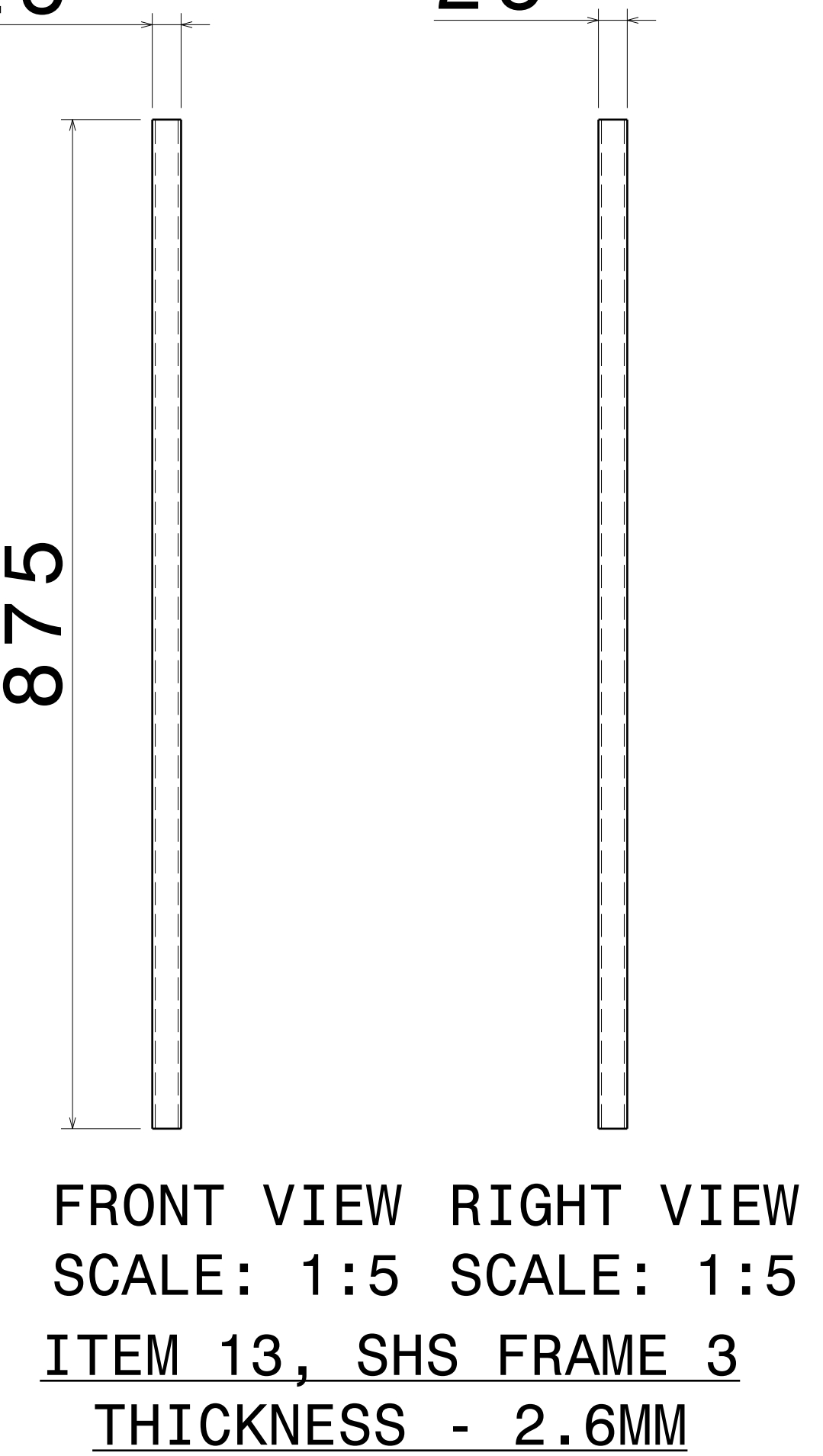
FRONT VIEW RIGHT VIEW  
SCALE: 1:10 SCALE: 1:10  
ITEM 8, RHS FRAME 3  
THICKNESS - 2.6MM



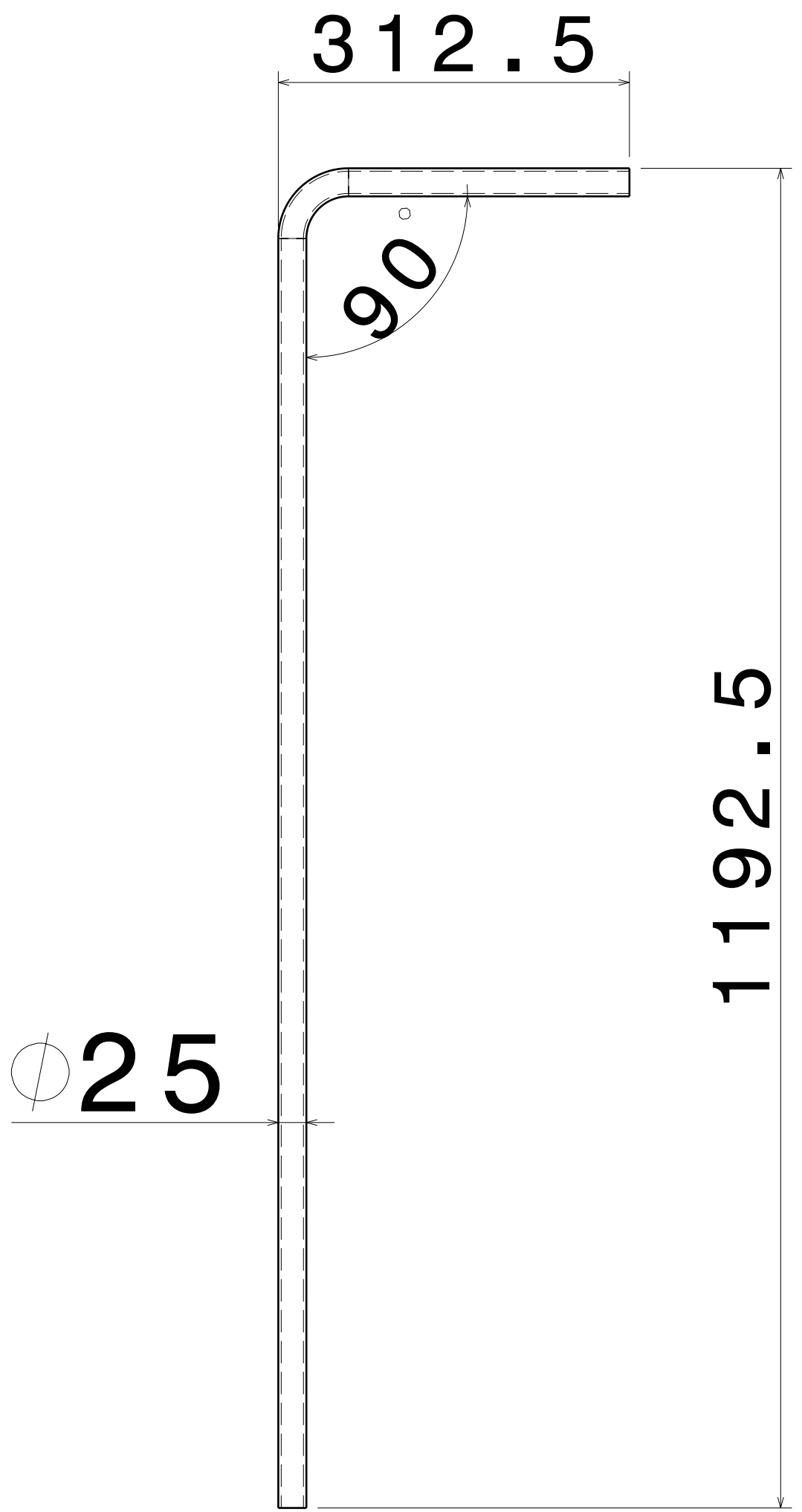
FRONT VIEW RIGHT VIEW  
SCALE: 1:5 SCALE: 1:5  
ITEM 10, RHS FRAME 5  
THICKNESS - 2.6MM



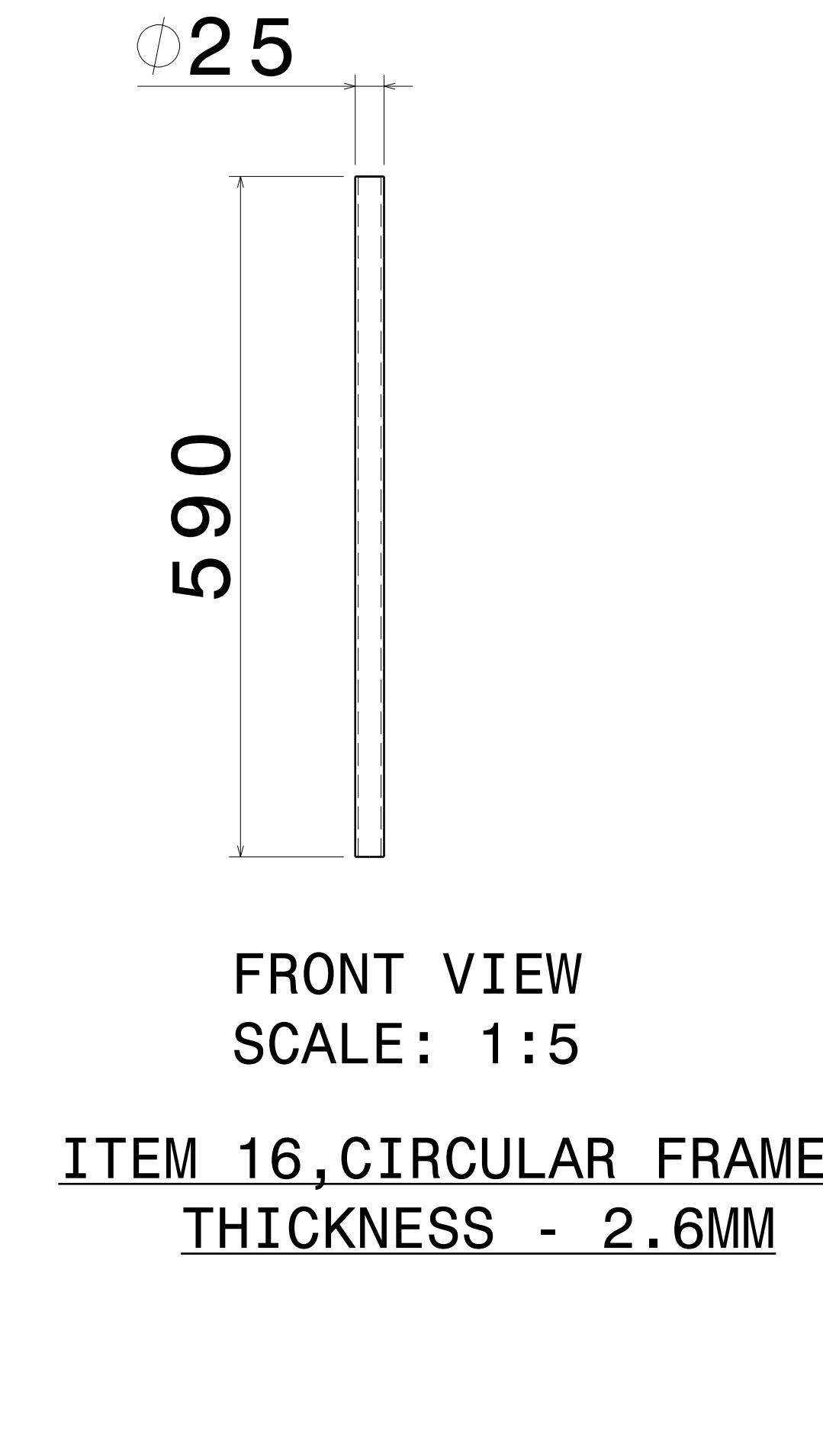
FRONT VIEW RIGHT VIEW  
SCALE: 1:5 SCALE: 1:5  
ITEM 11, SHS FRAME 1  
THICKNESS - 2.6MM



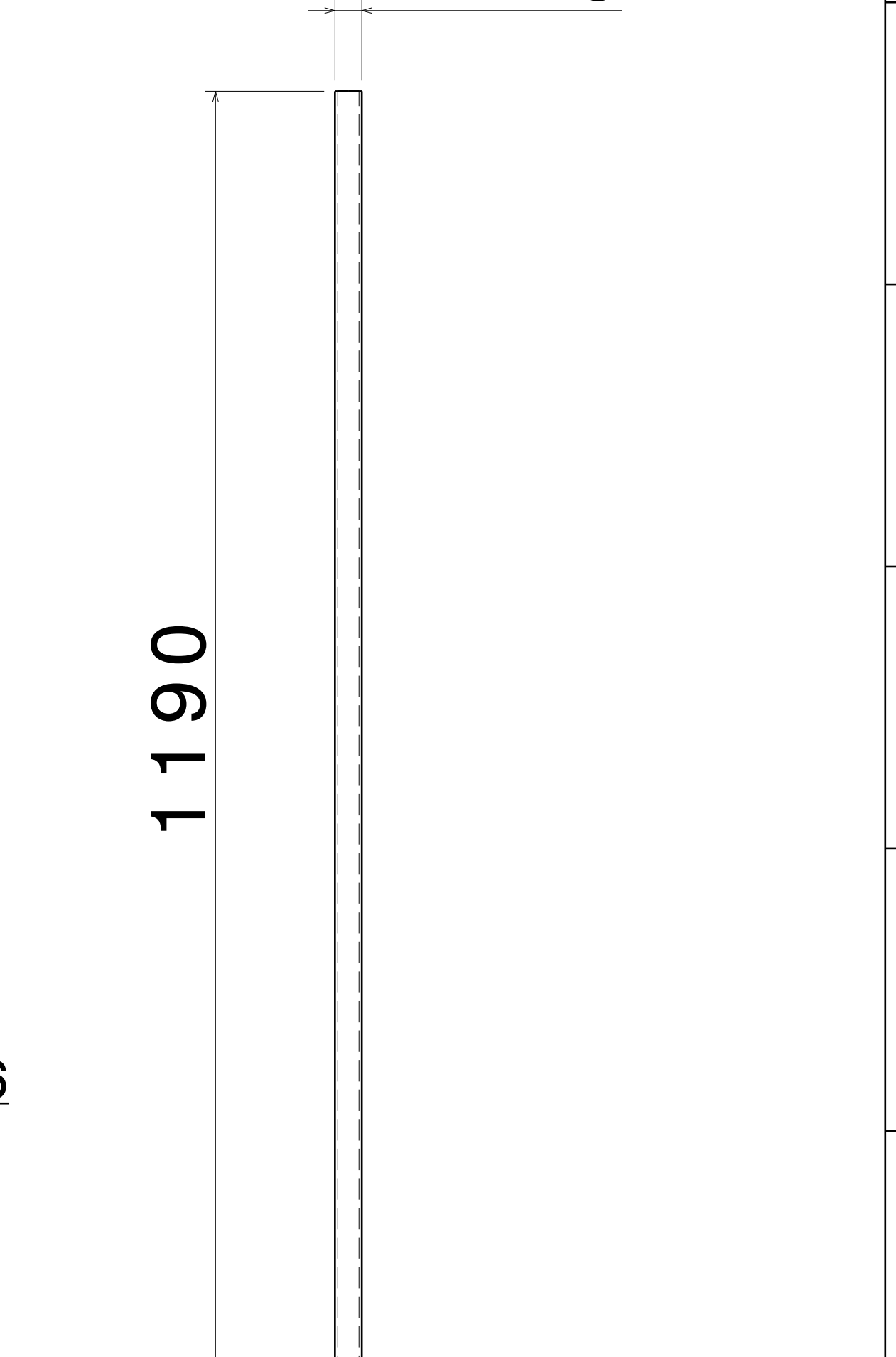
FRONT VIEW RIGHT VIEW  
SCALE: 1:5 SCALE: 1:5  
ITEM 13, SHS FRAME 3  
THICKNESS - 2.6MM



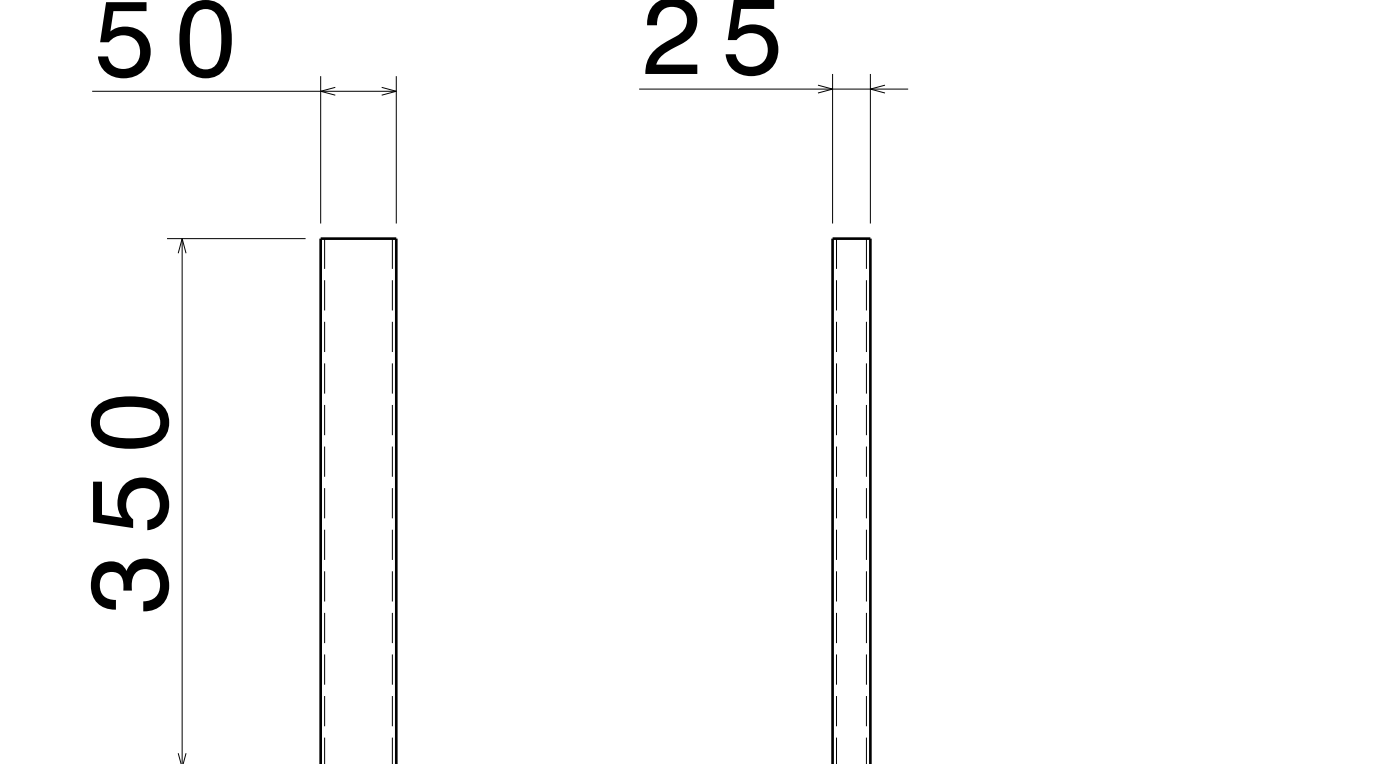
FRONT VIEW  
SCALE: 1:5  
ITEM 15, CIRCULAR FRAME 5  
THICKNESS - 2.6MM



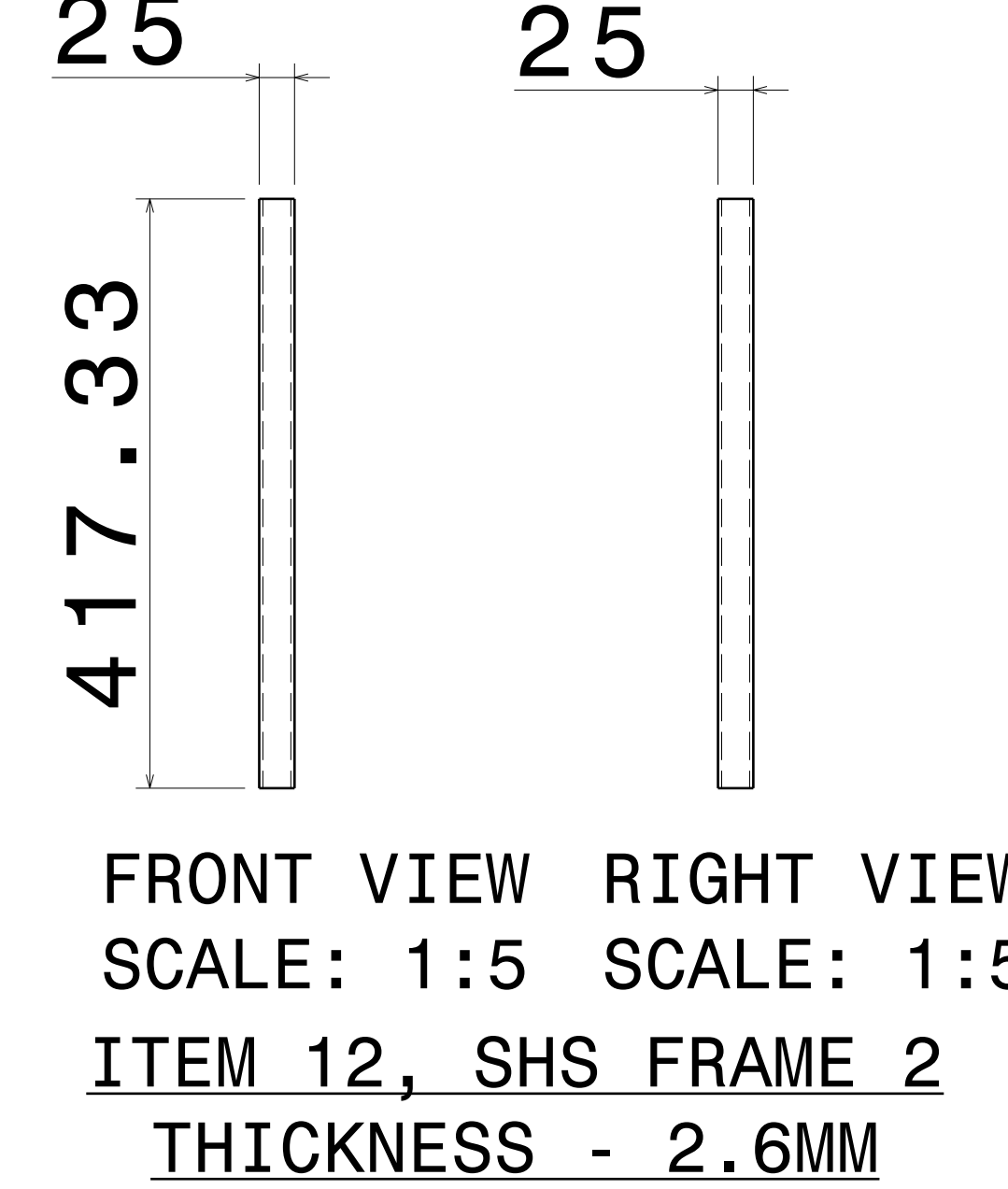
FRONT VIEW  
SCALE: 1:5  
ITEM 16, CIRCULAR FRAME 6  
THICKNESS - 2.6MM



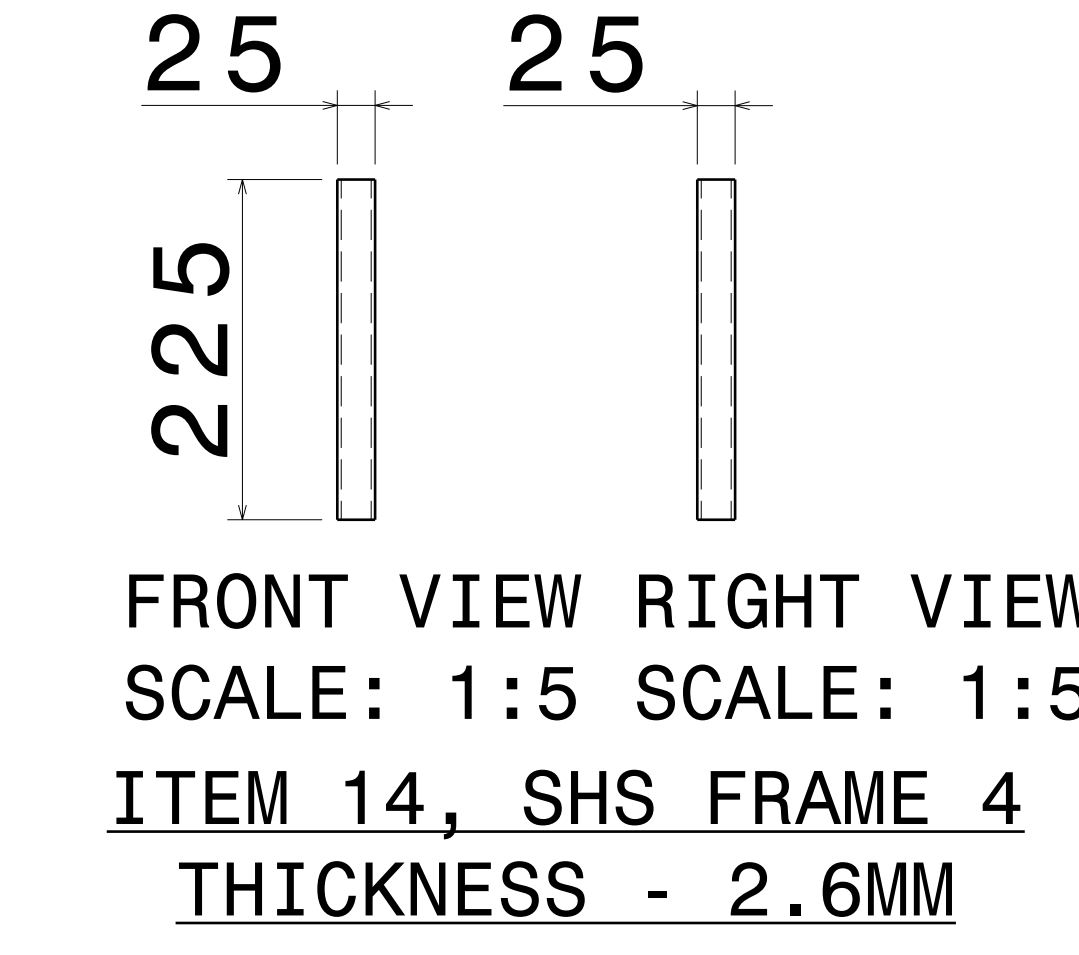
FRONT VIEW  
SCALE: 1:5  
ITEM 17, CIRCULAR FRAME 7  
THICKNESS - 2.6MM



FRONT VIEW RIGHT VIEW  
SCALE: 1:5 SCALE: 1:5  
ITEM 9, RHS FRAME 4  
THICKNESS - 2.6MM

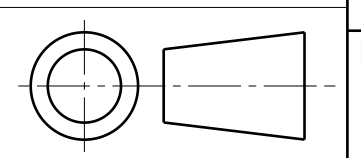



FRONT VIEW RIGHT VIEW  
SCALE: 1:5 SCALE: 1:5  
ITEM 12, SHS FRAME 2  
THICKNESS - 2.6MM



FRONT VIEW RIGHT VIEW  
SCALE: 1:5 SCALE: 1:5  
ITEM 14, SHS FRAME 4  
THICKNESS - 2.6MM

UNLESS OTHERWISE SPECIFIED DIMENSION ARE IN MM  
VIEWS: THIRD ANGLE PROJECTION



This drawing is our property. It can't be reproduced or communicated without our written agreement.		APL APOLLO TUBES LTD. 	
DRAWN BY SB		DATE 13JAN2021	
CHECKED BY P2P Analysis & Solutions		DATE 13JAN2021	
DESIGNED BY P2P Analysis & Solutions		DATE 13JAN2021	
SIZE A0	DRAWING NUMBER P2P JAN21-4		REV 00
SCALE NONE	WEIGHT (kg) XXX	SHEET 3 OF 3	

DRAWING TITLE  
JAN21-4