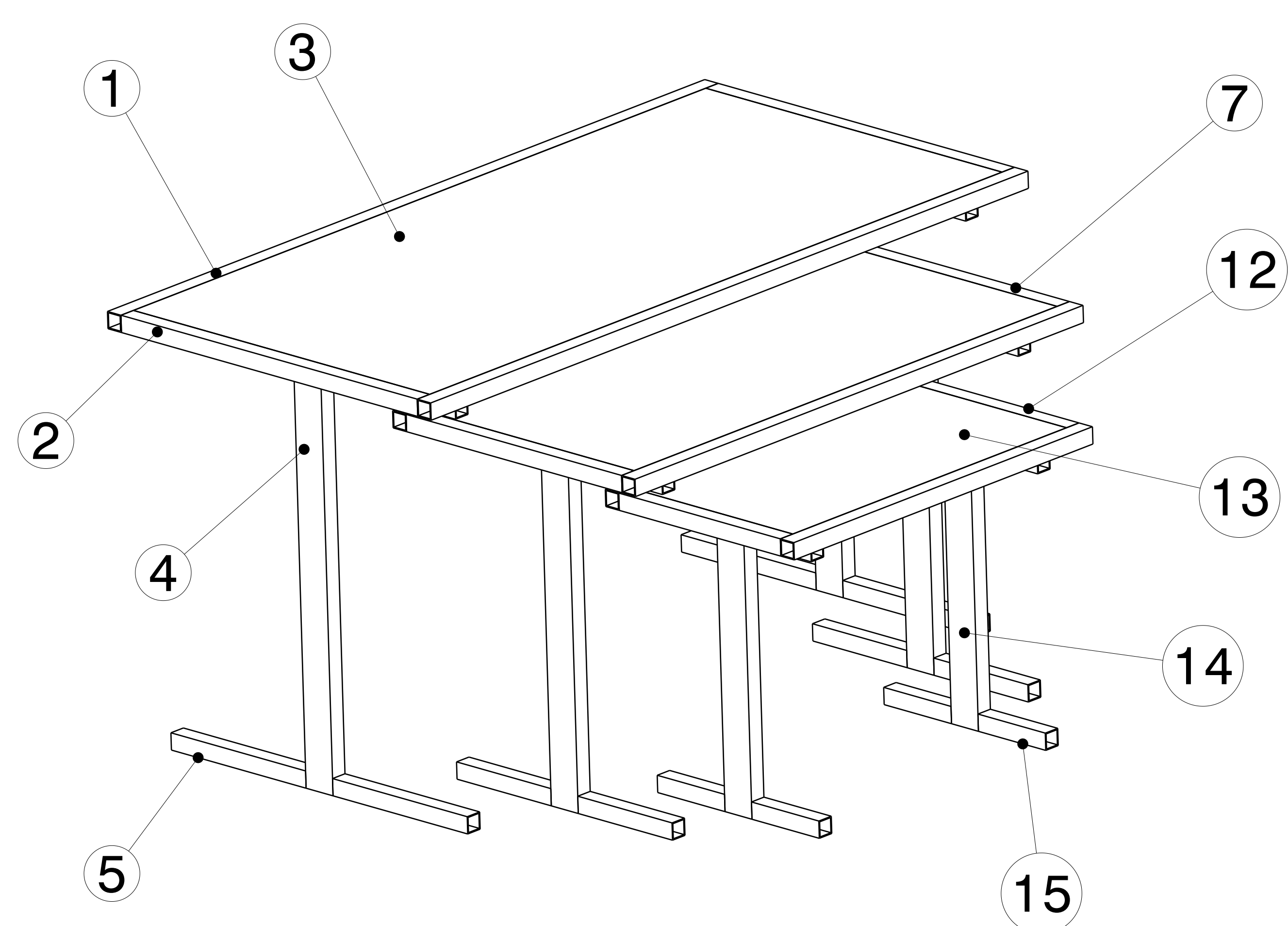


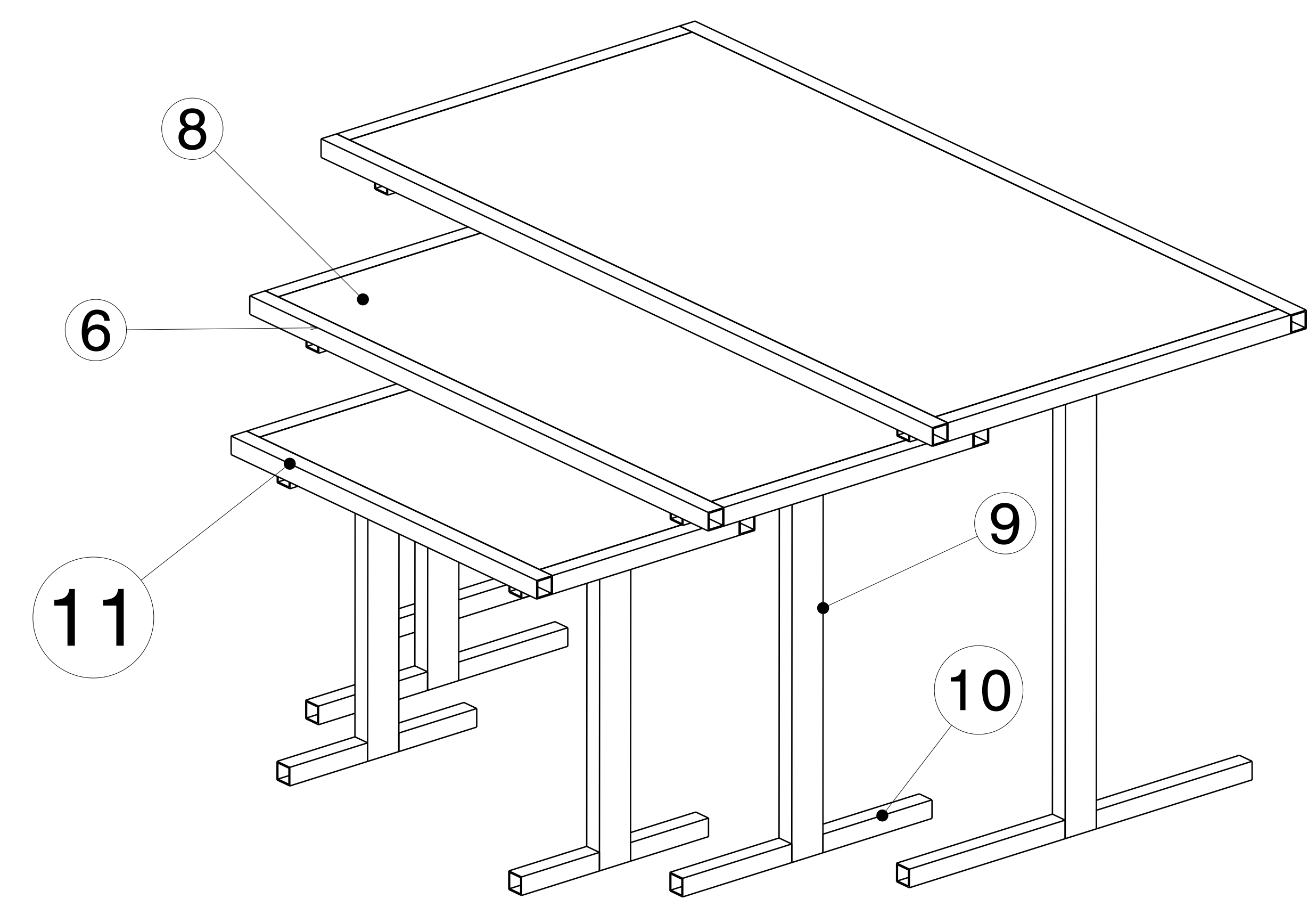
REV	DATE	DESCRIPTION
00	07JAN2021	INITIAL REVISION

NOTES:

- (⊥) ALL VERTICAL SUPPORTS ARE PERPENDICULAR.
- FLATNESS OF .5MM IS APPLIED BY DEFAULT.
- ⊞ WELD BEAD OF 2MM RADIUS IS FOLLOWED.
- ▽▽ SURFACE FINISH MEDIUM TO SMOOTH IS USED.
- ALL TUBES ARE AS PER APL APOLLO STANDARD. CHANGES MAY EFFECT THE LOAD CAPACITY.
- ALL HORIZONTAL AND VERTICAL TUBES ARE PERPENDICULAR TO EACH OTHER WITH ±1 DEG.
- FINE WELDING IS REQUIRED AS PER MENTIONED DETAILS AND FINISHING.
- HIGHER CURRENT WELDING MAY AFFECT THE BRITTLENESS OF MATERIAL WHICH LATER MAY RAISE TO WEAKENING OF STRUCTURE.
- FABRICATORS ARE ALLOWED TO USE FITTINGS/FRAMES/SUPPORTS AS NEEDED AND THE SAME MUST BE COMMUNICATED BACK TO ENGINEERING TEAM.
- BOP COMPONENT WEIGHTS ARE FOR REFERENCE ONLY AND SUBJECTED TO CHANGE PER PURCHASED COMPONENTS.



ISOMETRIC VIEW  
SCALE : 1:5



ISOMETRIC VIEW  
SCALE : 1:5

ITEM NO.	PART NUMBER	DESCRIPTION	QTY.	Wt (Kg) /Each
15	SHS FRAME 12	25 X 25 X 1.6 X 125	8	0.15
14	SHS FRAME 11	25 X 25 X 1.6 X 425	4	0.5
13	RHS PLANK 3	150 X 25 X 1.6 X 550	2	2.38
12	SHS FRAME 10	25 X 25 X 1.6 X 300	2	0.35
11	SHS FRAME 9	25 X 25 X 1.6 X 600	2	0.71
10	SHS FRAME 8	25 X 25 X 1.6 X 175	8	0.21
9	SHS FRAME 7	25 X 25 X 1.6 X 525	4	0.62
8	RHS PLANK 2	200 X 25 X 1.6 X 850	2	4.74
7	SHS FRAME 6	25 X 25 X 1.6 X 400	2	0.47
6	SHS FRAME 5	25 X 25 X 1.6 X 900	2	1.06
5	SHS FRAME 4	25 X 25 X 1.6 X 250	8	0.29
4	SHS FRAME 3	25 X 25 X 1.6 X 625	4	0.74
3	RHS PLANK 1	275 X 25 X 1.6 X 1150	2	8.58
2	SHS FRAME 2	25 X 25 X 1.6 X 550	2	0.65
1	SHS FRAME 1	25 X 25 X 1.6 X 1200	2	1.41

This drawing is our property. It can't be reproduced or communicated without our written agreement.

**APL APOLLO TUBES LTD.**

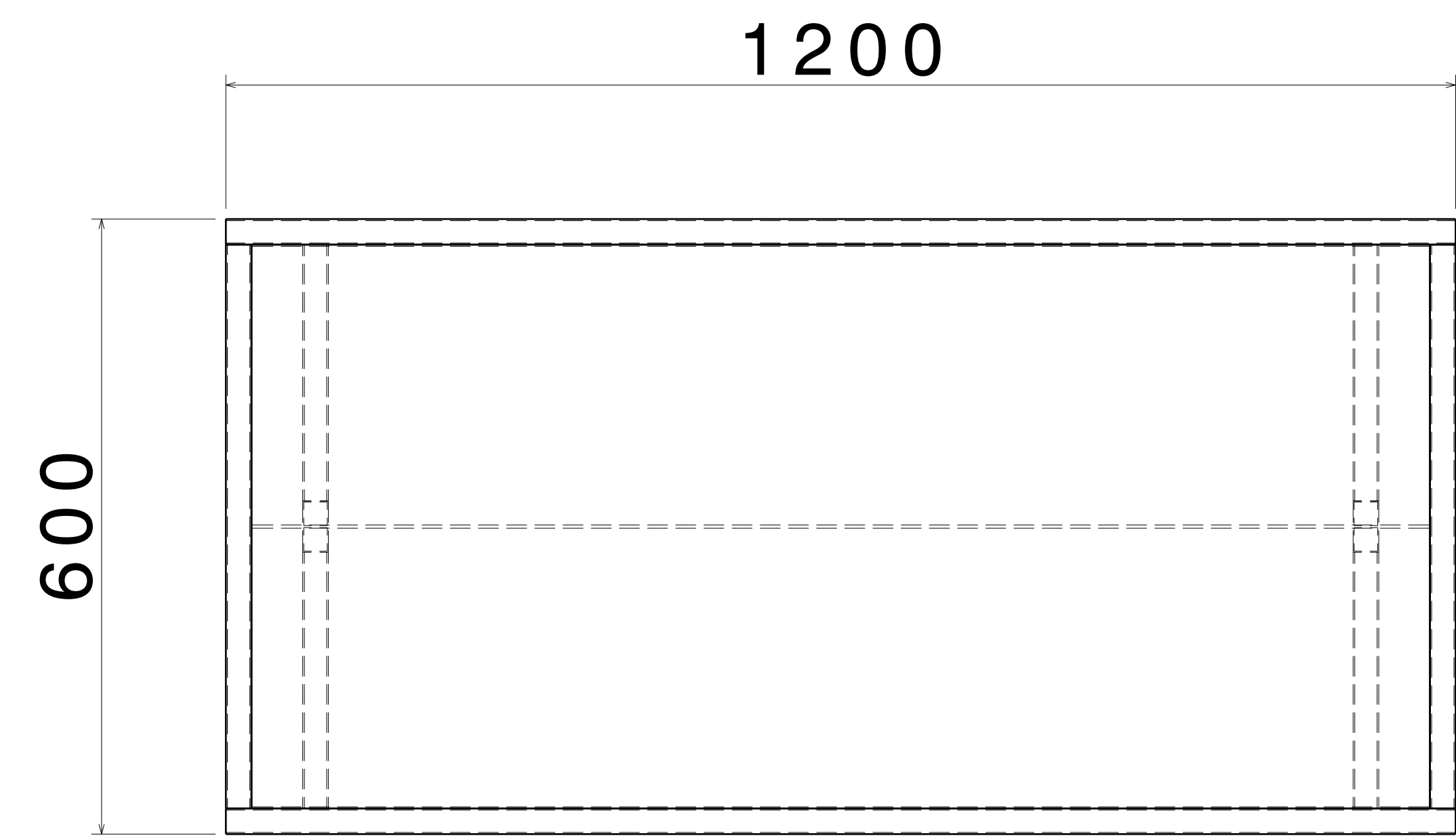
DRAWING TITLE: **JAN21-5**

SCALE: **A0** DRAWING NUMBER: **P2P JAN21-5** REV: **00**

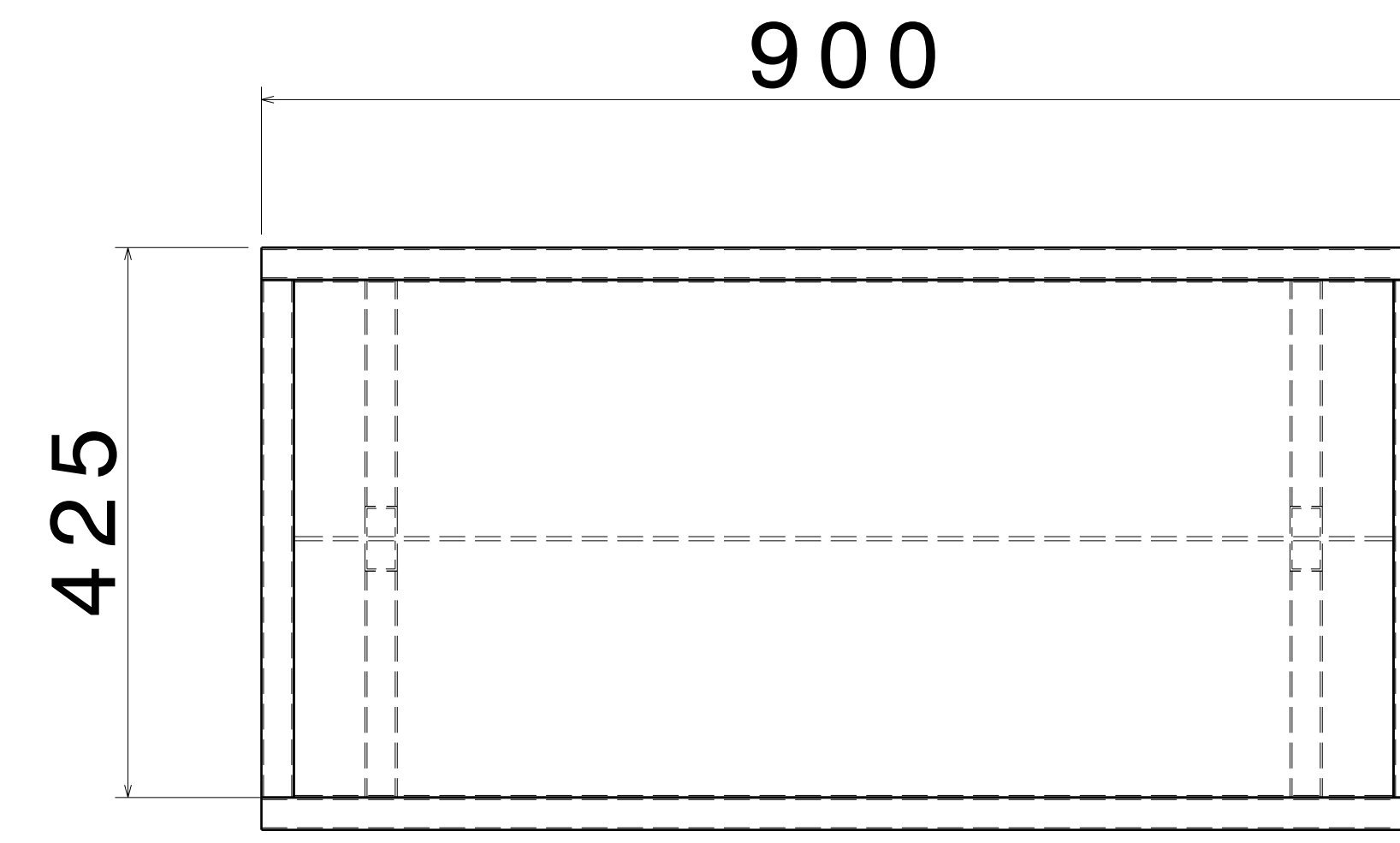
WEIGHT (kg): **0kg** SHEET 1 OF 3

UNLESS OTHERWISE SPECIFIED DIMENSION ARE IN MM VIEWS: THIRD ANGLE PROJECTION

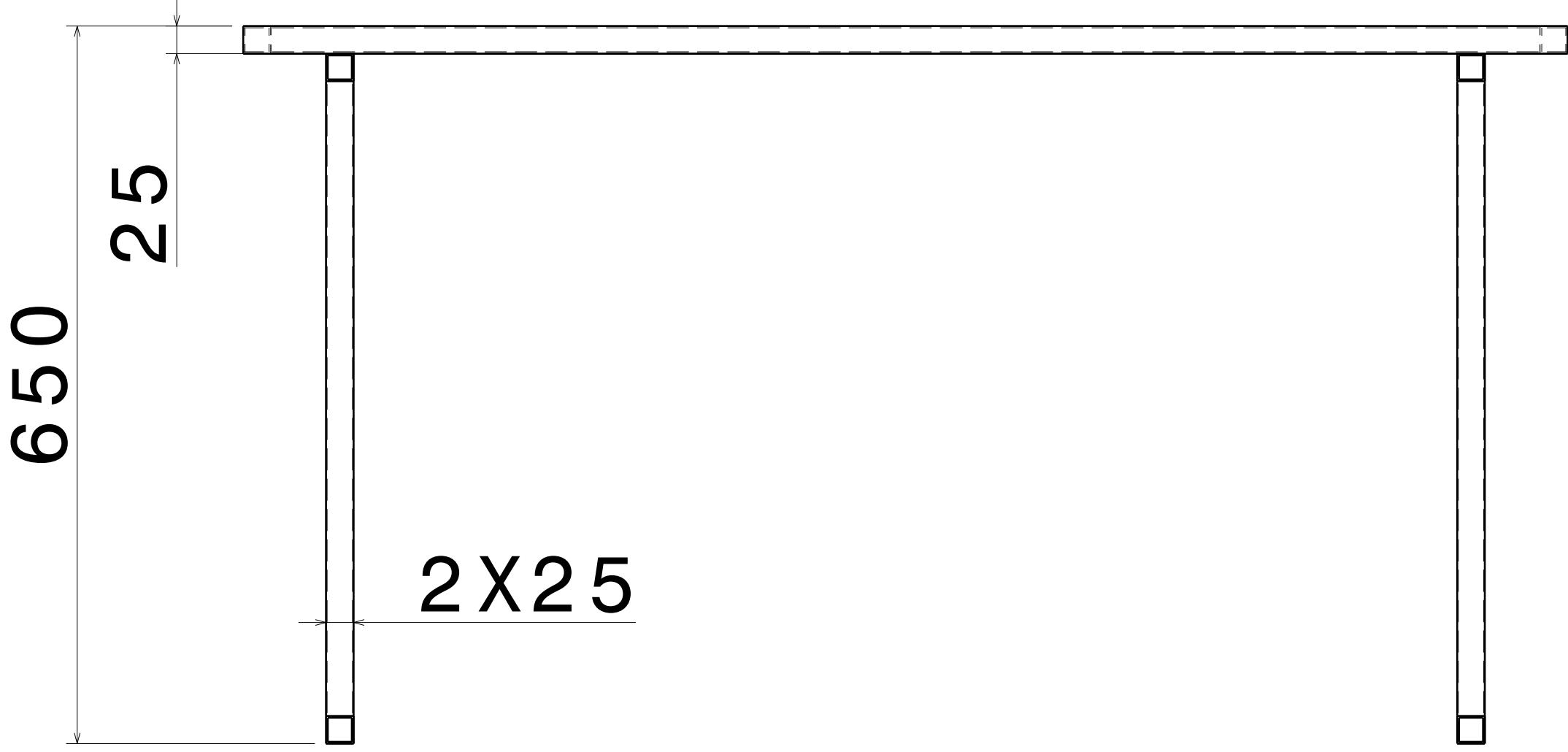
REV	DATE	DESCRIPTION
00	07JAN2021	INITIAL REVISION



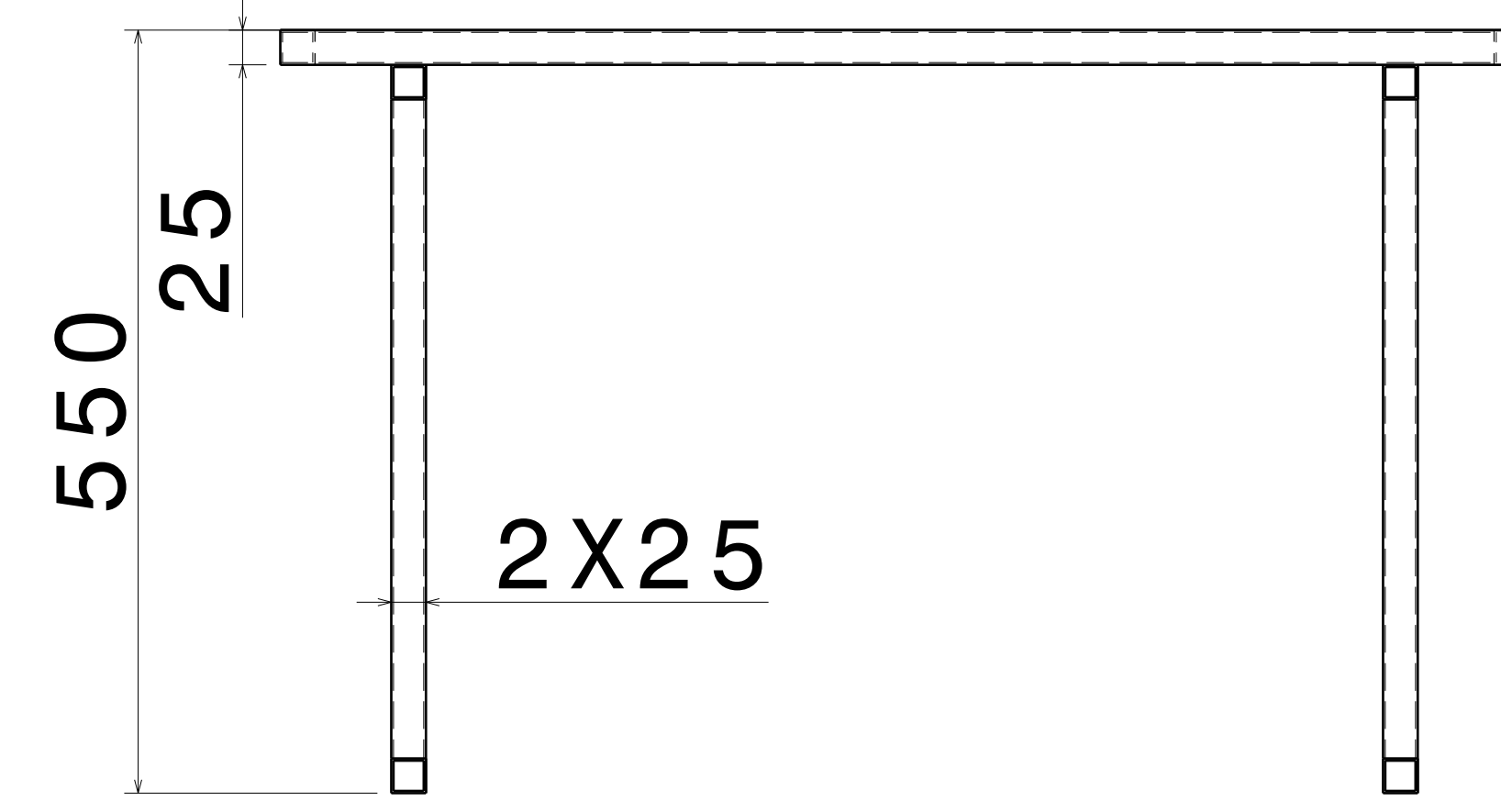
FRONT VIEW  
SCALE: 1:5



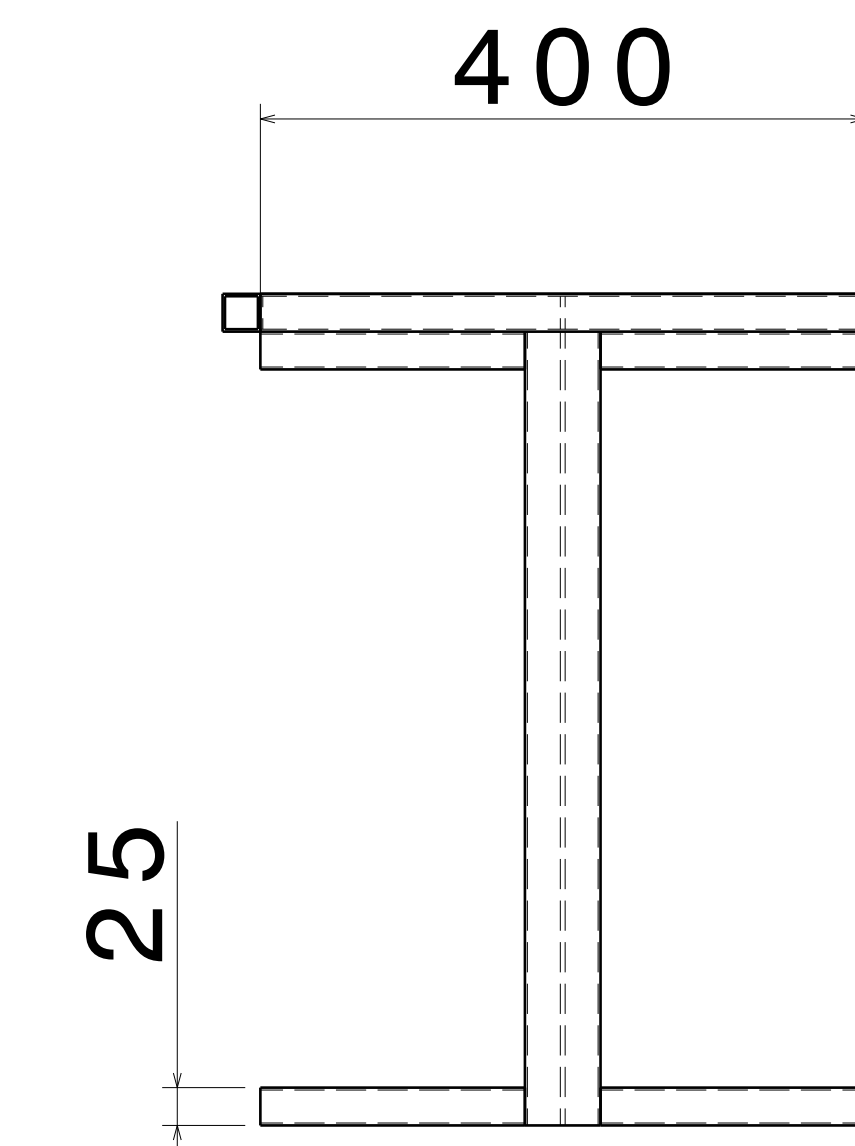
FRONT VIEW  
SCALE: 1:5



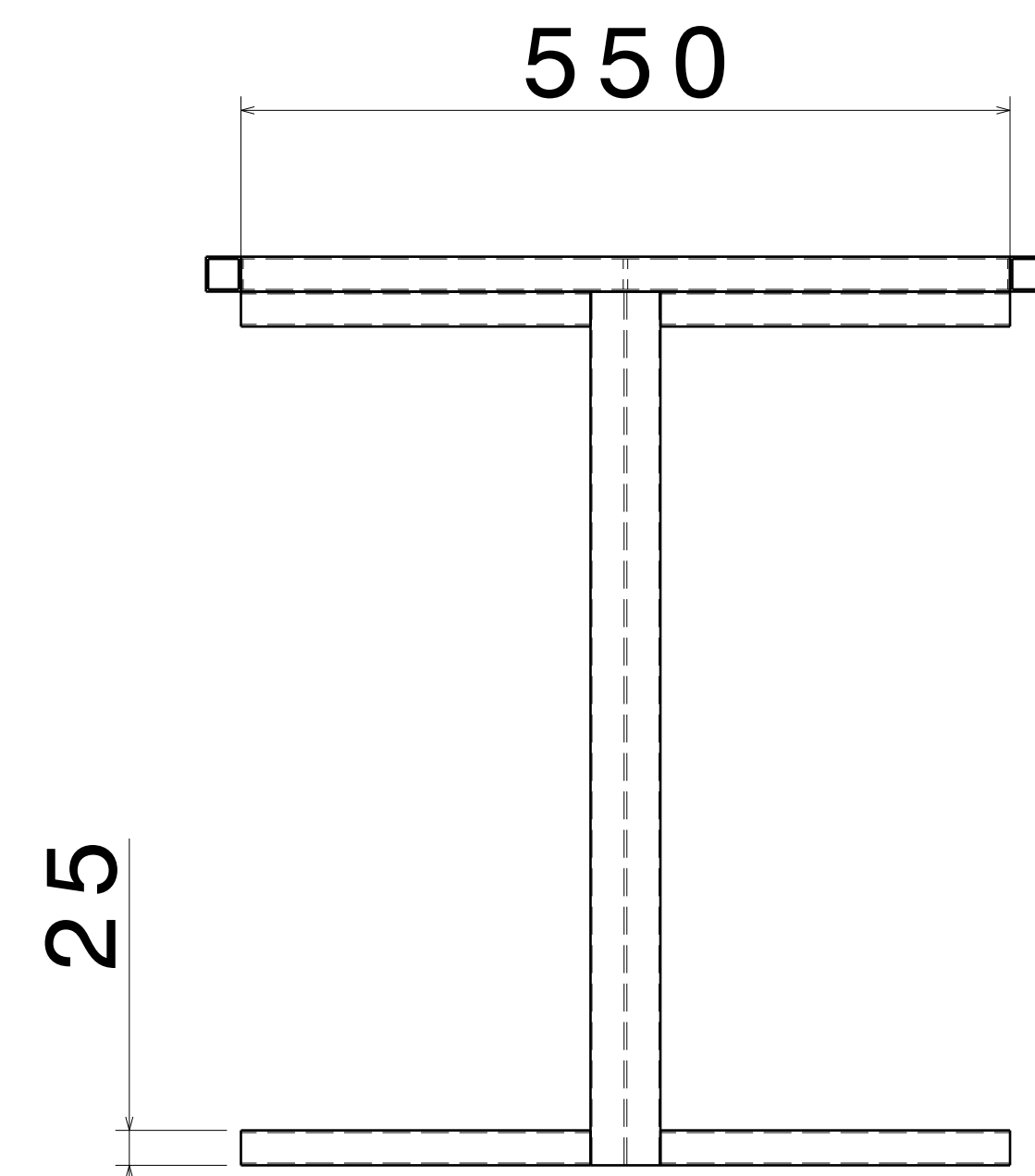
BOTTOM VIEW  
SCALE: 1:5



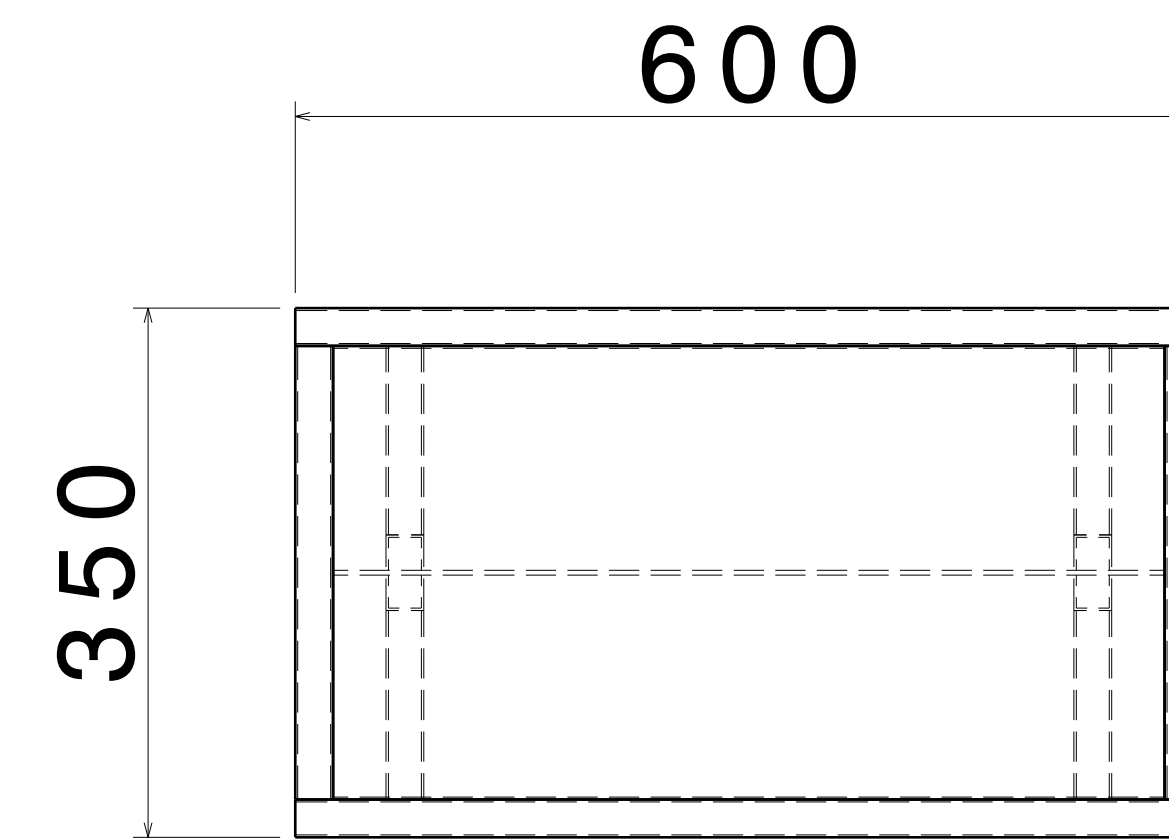
BOTTOM VIEW  
SCALE: 1:5



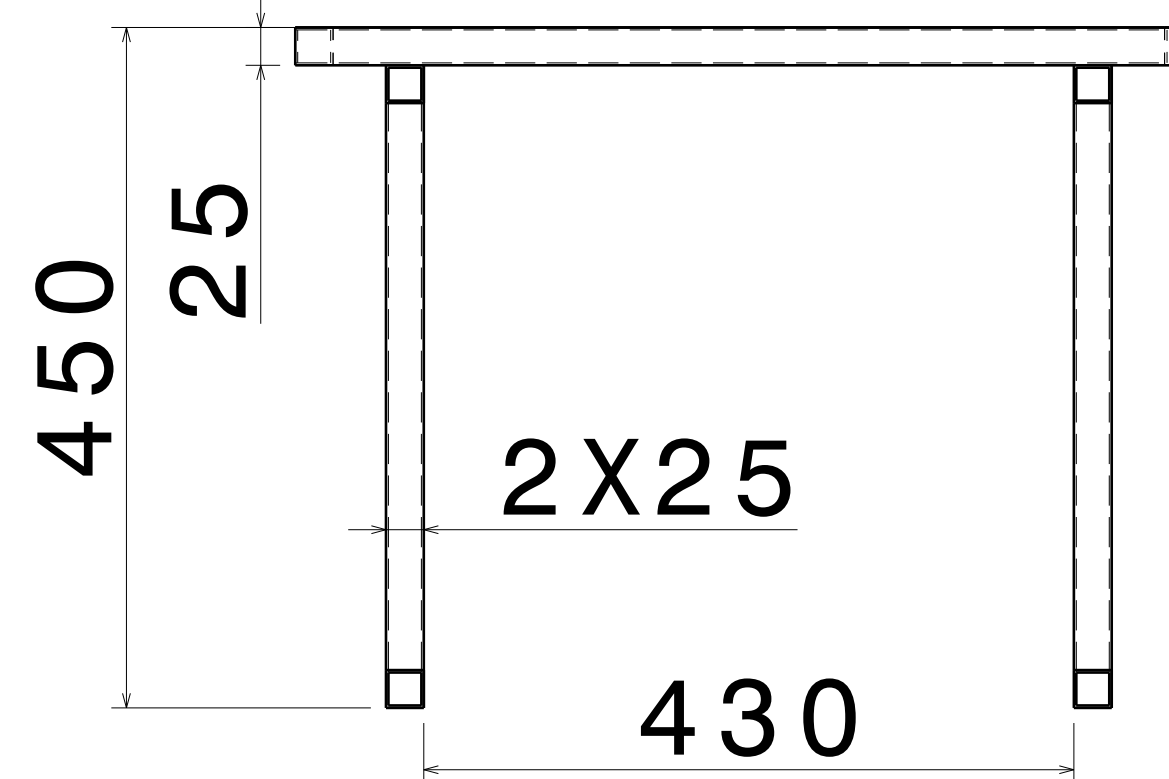
AUXILIARY VIEW B  
SCALE: 1:5



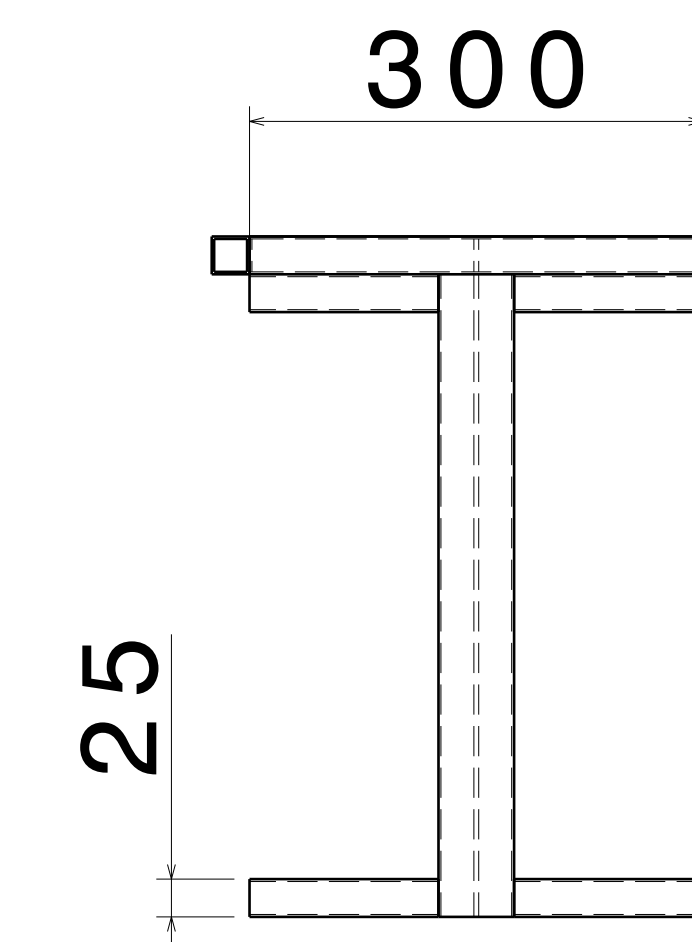
AUXILIARY VIEW A  
SCALE: 1:5



FRONT VIEW  
SCALE: 1:5



BOTTOM VIEW  
SCALE: 1:5

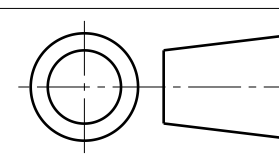


AUXILIARY VIEW C  
SCALE: 1:5

This drawing is our property. It can't be reproduced or communicated without our written agreement.

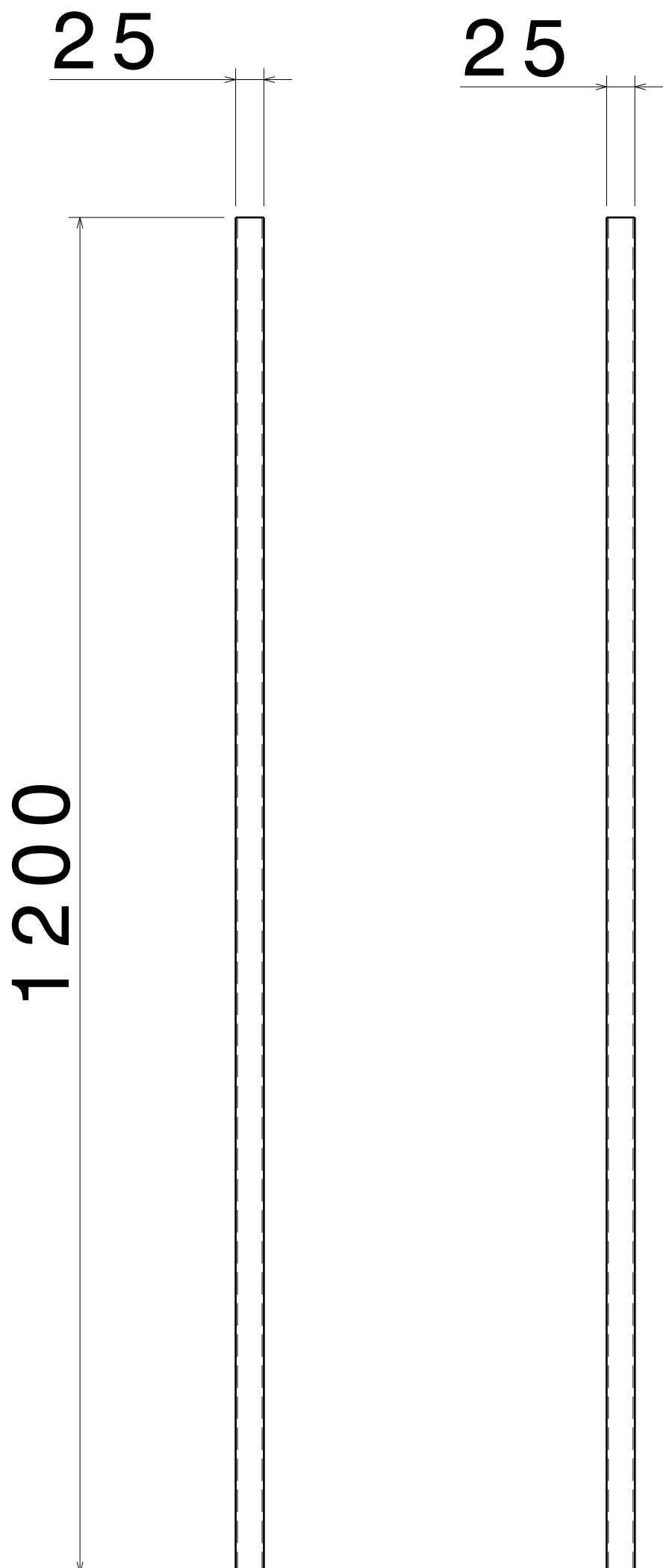
APL APOLLO TUBES LTD. 

DRAWN BY	DATE	DRAWING TITLE		
SB	07JAN2021	JAN21-5		
CHECKED BY	DATE	SIZE	DRAWING NUMBER	REV
P2P Analysis & Solutions	07JAN2021	A0	P2P JAN21-5	00
DESIGNED BY	DATE	SCALE	NONE	WEIGHT (kg)
P2P Analysis & Solutions	07JAN2021		XXX	

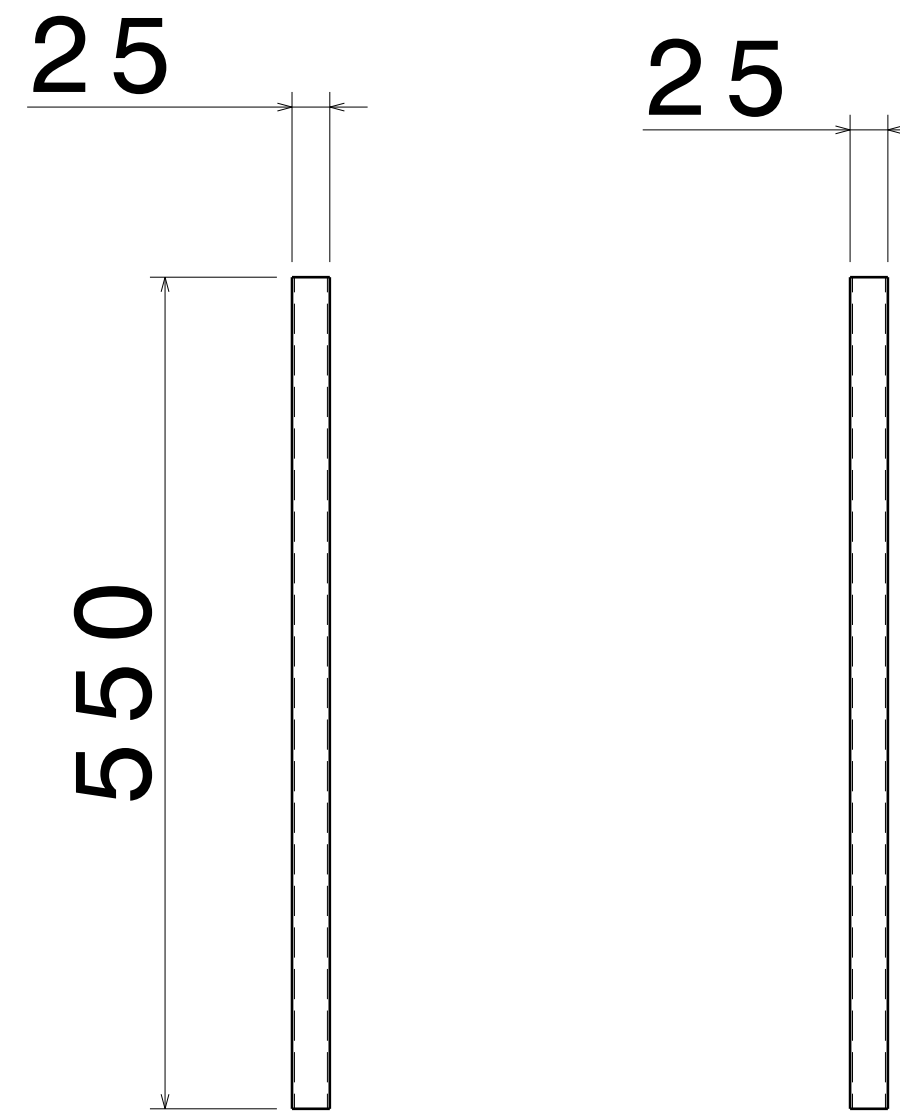
UNLESS OTHERWISE SPECIFIED DIMENSION ARE IN MM VIEWS: THIRD ANGLE PROJECTION 



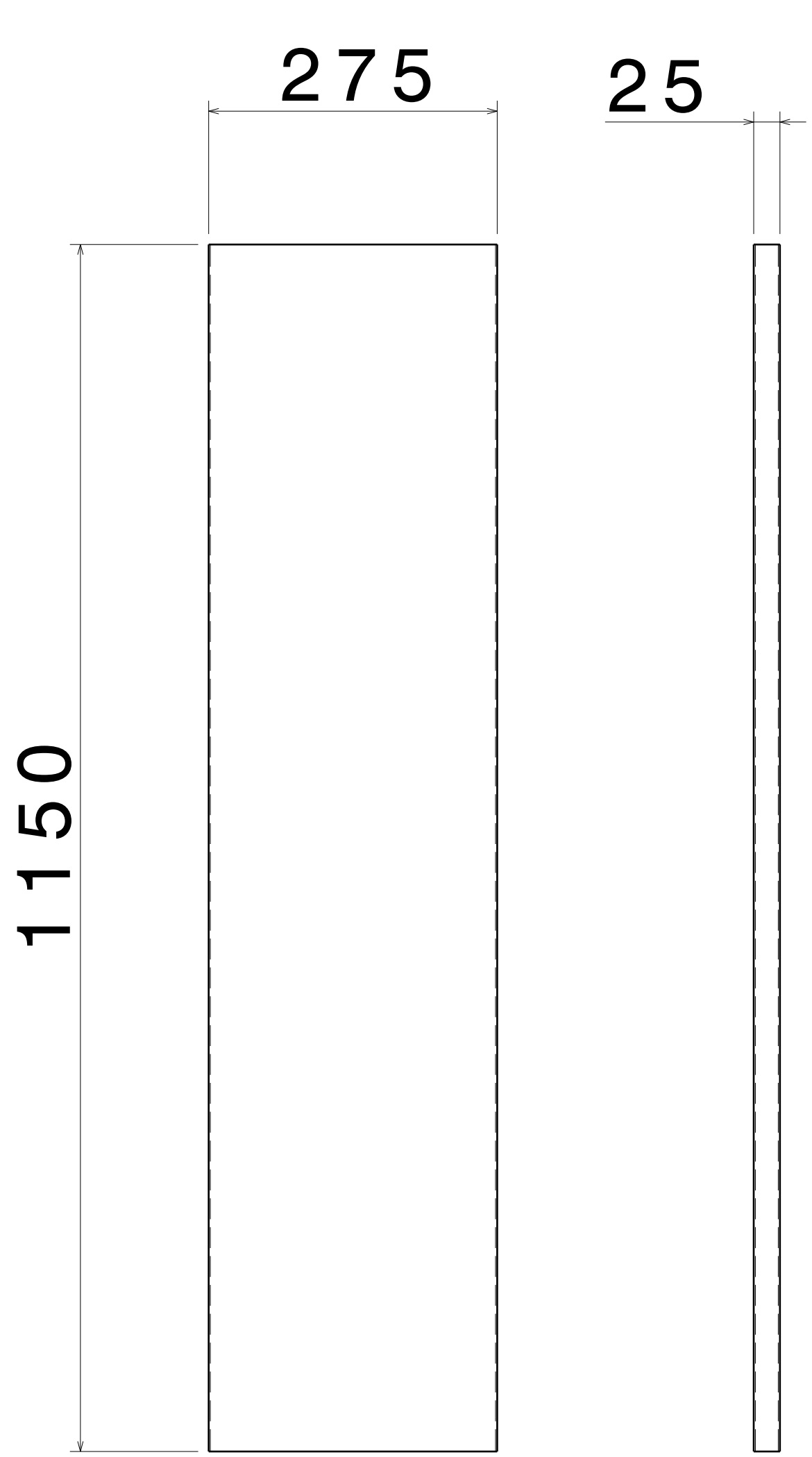
REV	DATE	DESCRIPTION
00	07JAN2021	INITIAL REVISION



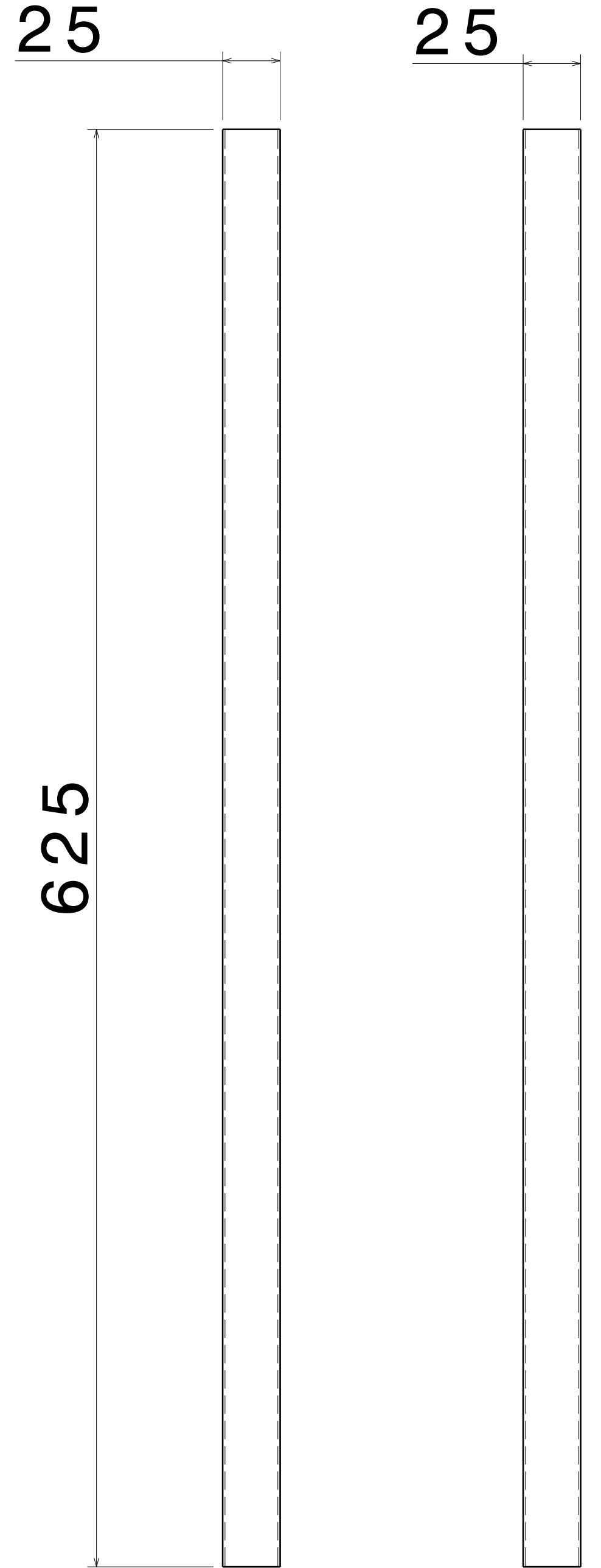
FRONT VIEW RIGHT VIEW  
SCALE: 1:5 SCALE: 1:5  
ITEM 1, SHS FRAME 1  
THICKNESS - 1.6MM



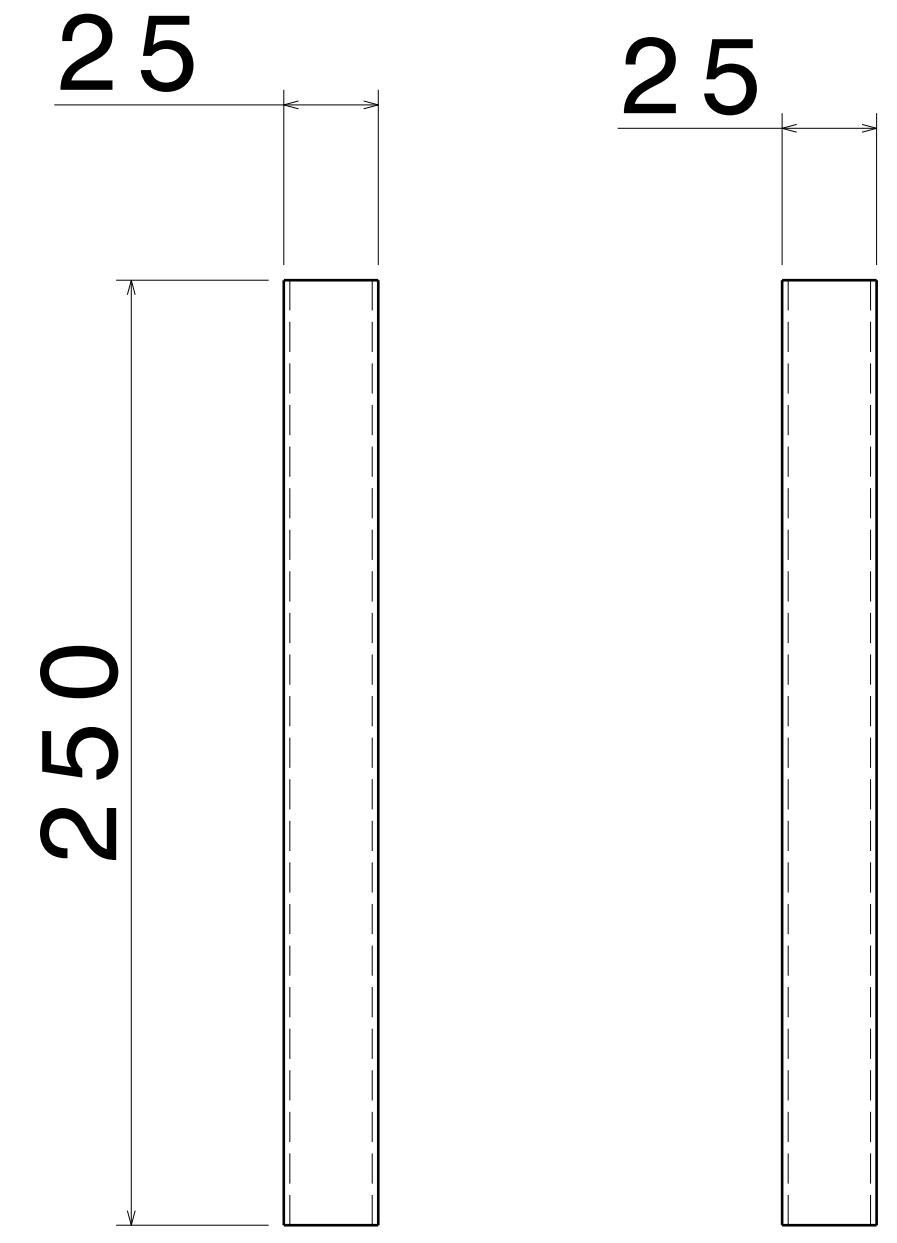
FRONT VIEW RIGHT VIEW  
SCALE: 1:5 SCALE: 1:5  
ITEM 2, SHS FRAME 2  
THICKNESS - 1.6MM



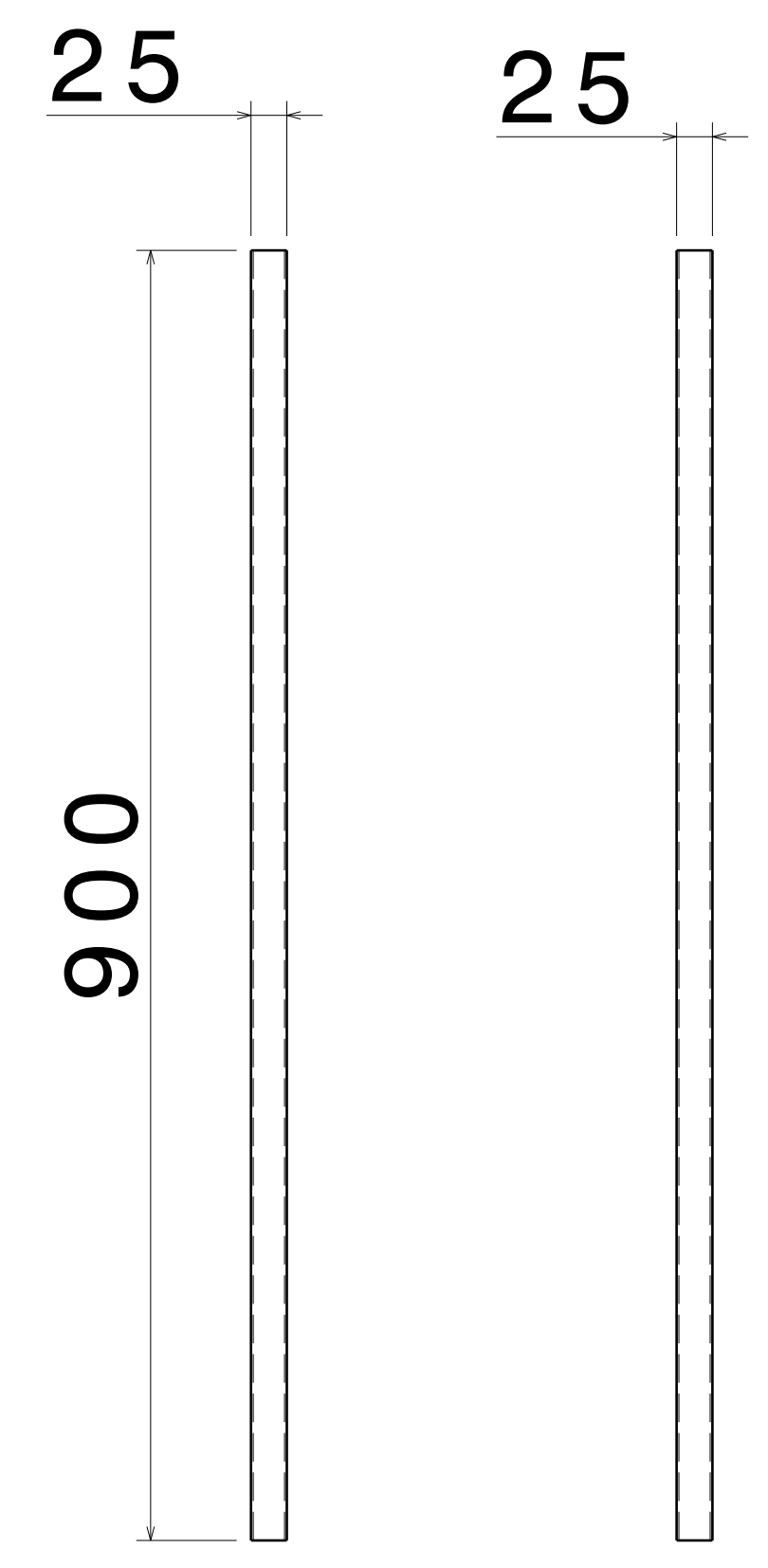
FRONT VIEW RIGHT VIEW  
SCALE: 1:5 SCALE: 1:5  
ITEM 3, RHS PLANK 1  
THICKNESS - 1.6MM



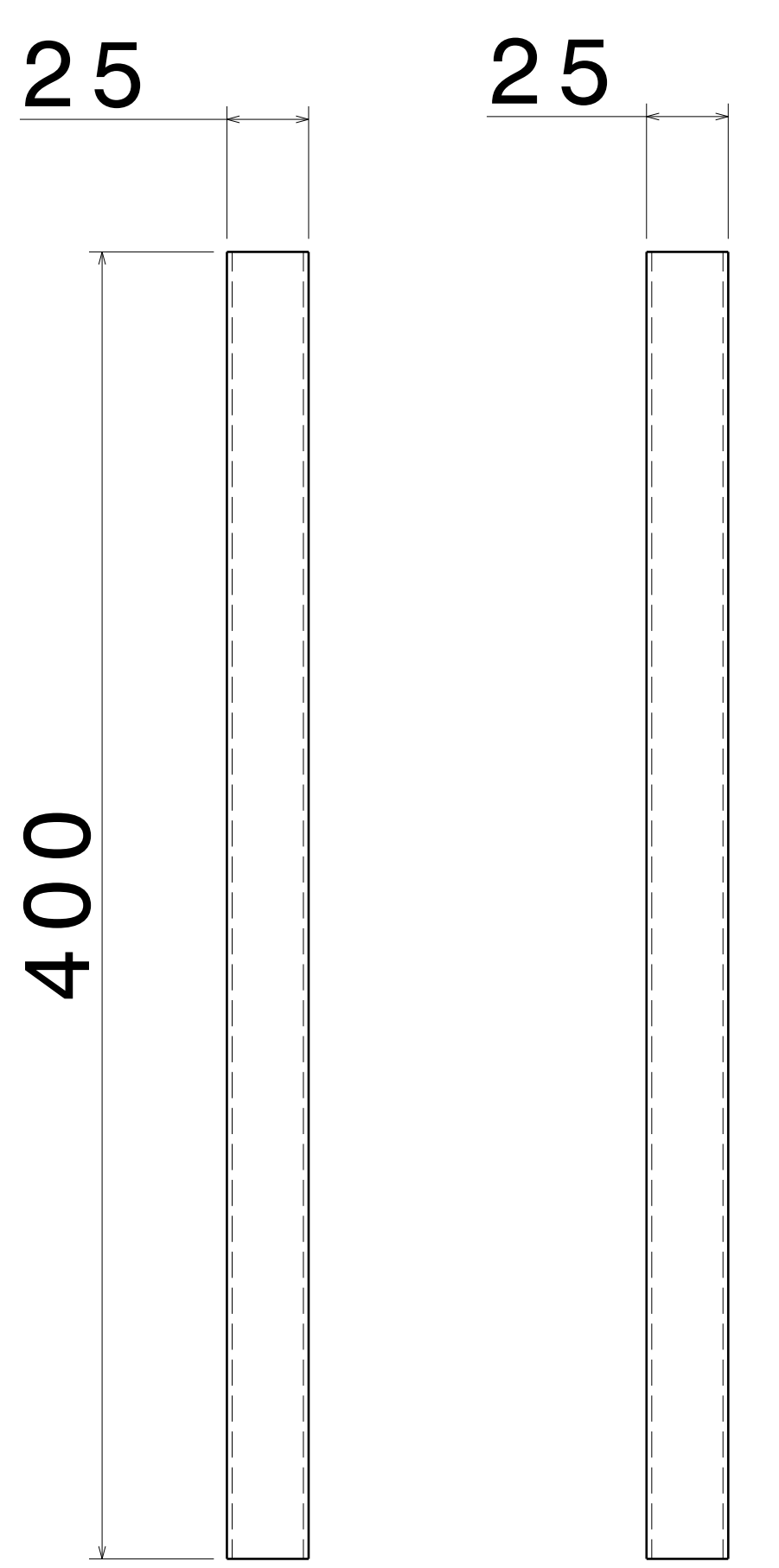
FRONT VIEW RIGHT VIEW  
SCALE: 1:2 SCALE: 1:2  
ITEM 4, SHS FRAME 3  
THICKNESS - 1.6MM



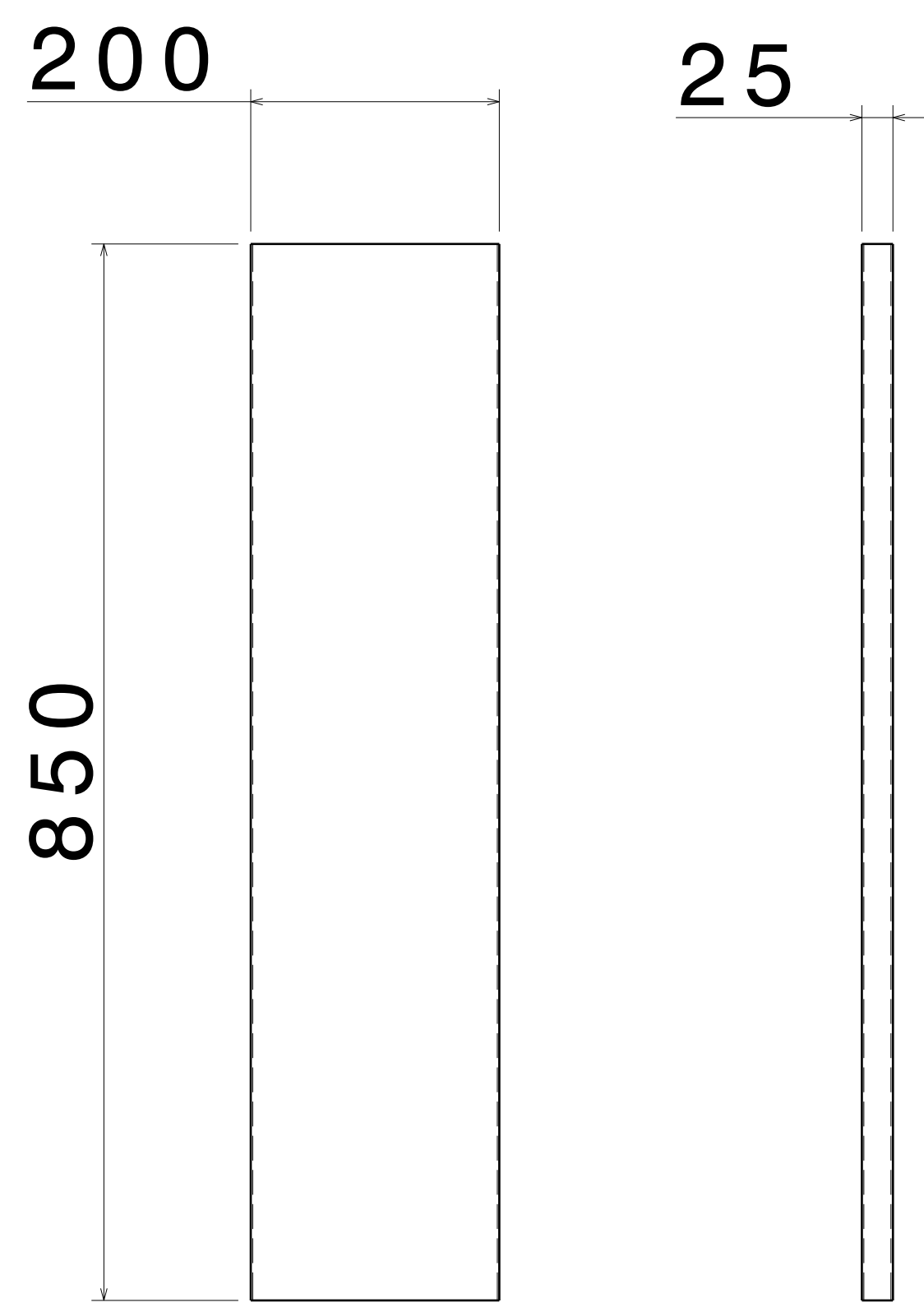
FRONT VIEW RIGHT VIEW  
SCALE: 1:2 SCALE: 1:2  
ITEM 5, SHS FRAME 4  
THICKNESS - 1.6MM



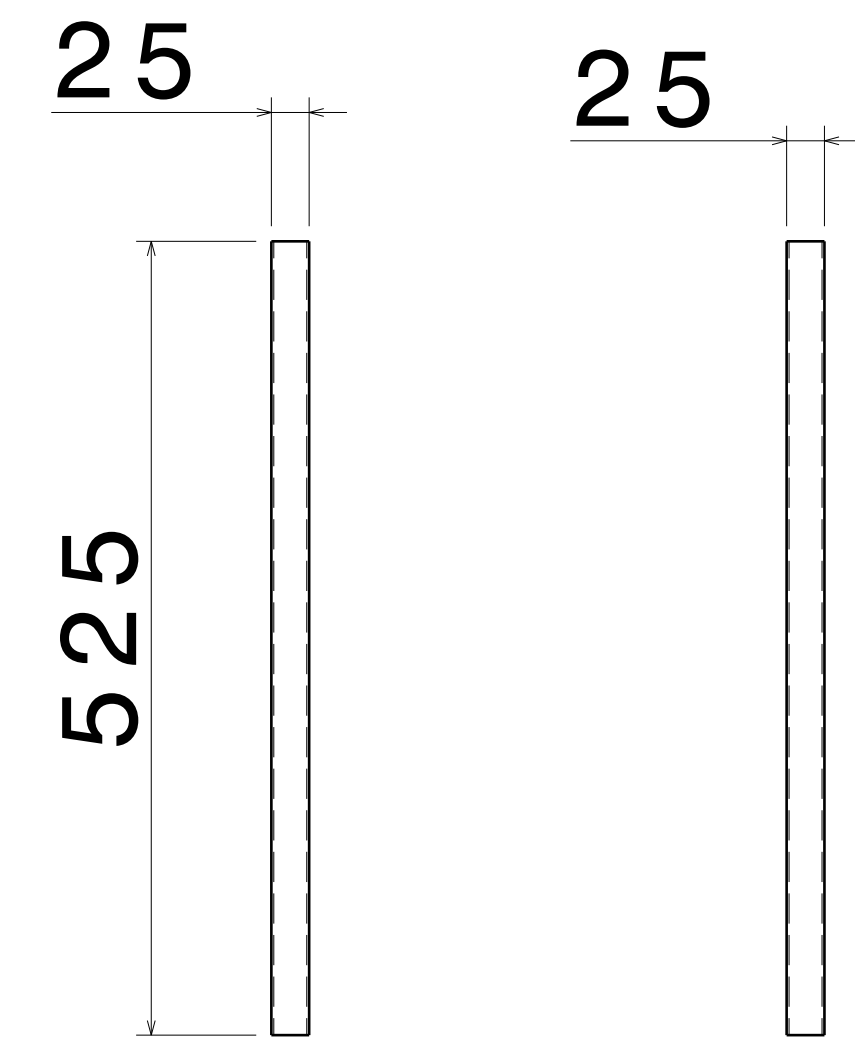
FRONT VIEW RIGHT VIEW  
SCALE: 1:5 SCALE: 1:5  
ITEM 6, SHS FRAME 5  
THICKNESS - 1.6MM



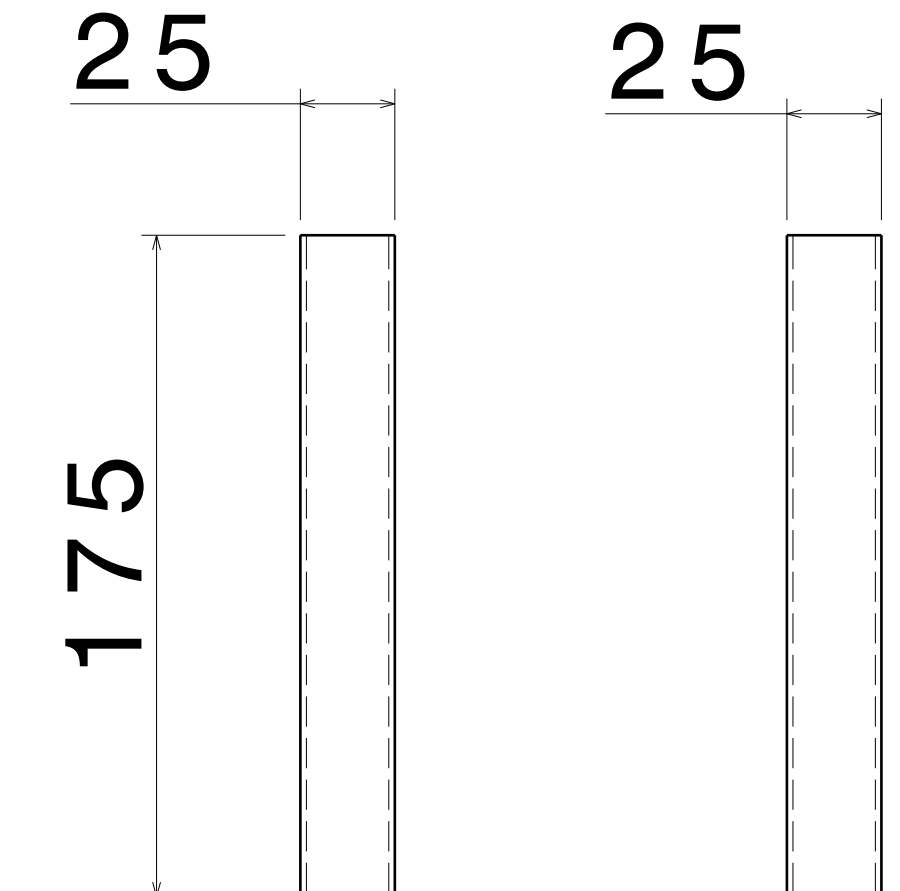
FRONT VIEW RIGHT VIEW  
SCALE: 1:2 SCALE: 1:2  
ITEM 7, SHS FRAME 6  
THICKNESS - 1.6MM



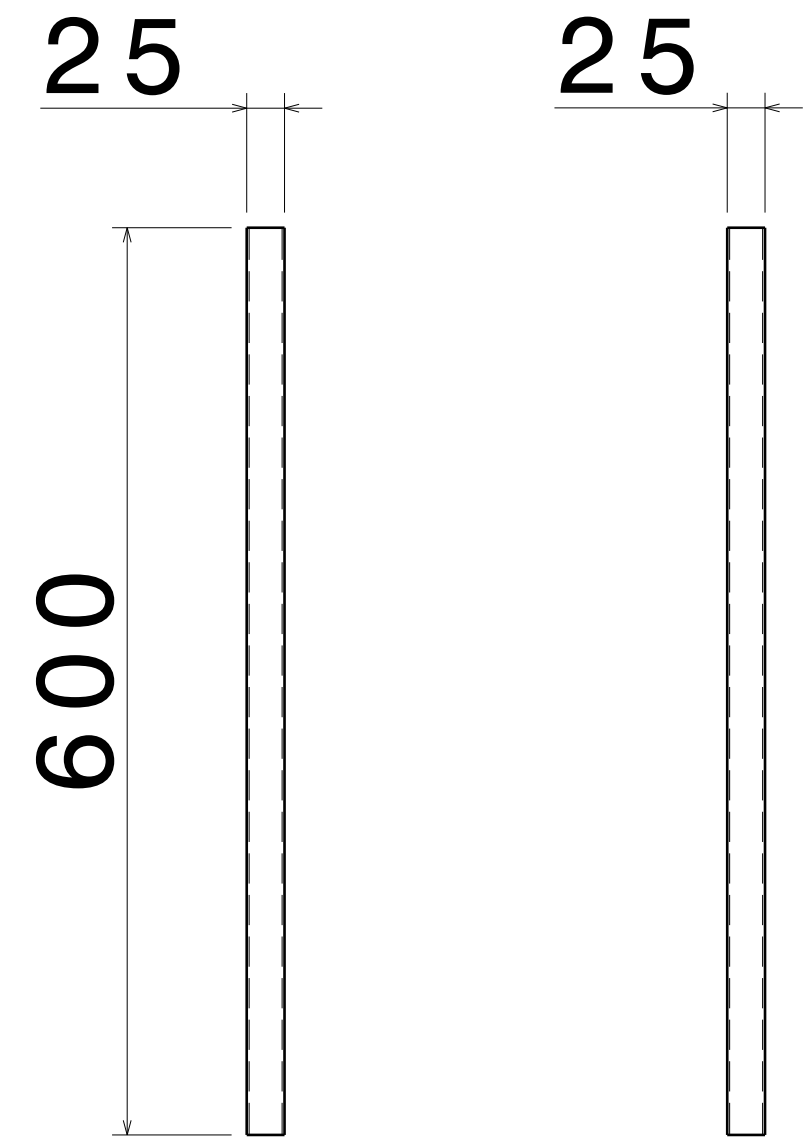
FRONT VIEW RIGHT VIEW  
SCALE: 1:5 SCALE: 1:5  
ITEM 8, RHS PLANK 2  
THICKNESS - 1.6MM



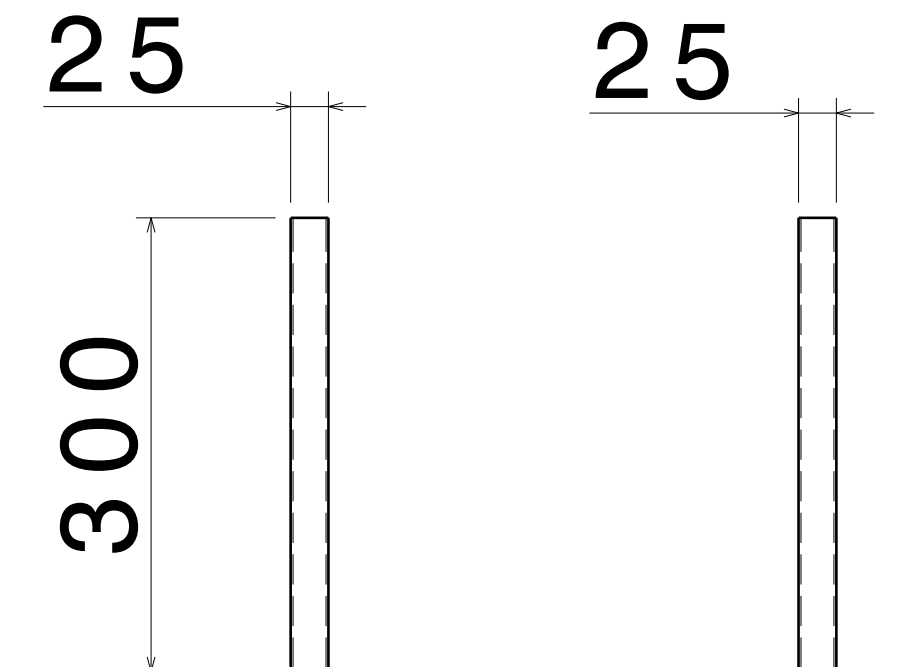
FRONT VIEW RIGHT VIEW  
SCALE: 1:5 SCALE: 1:5  
ITEM 9, SHS FRAME 7  
THICKNESS - 1.6MM



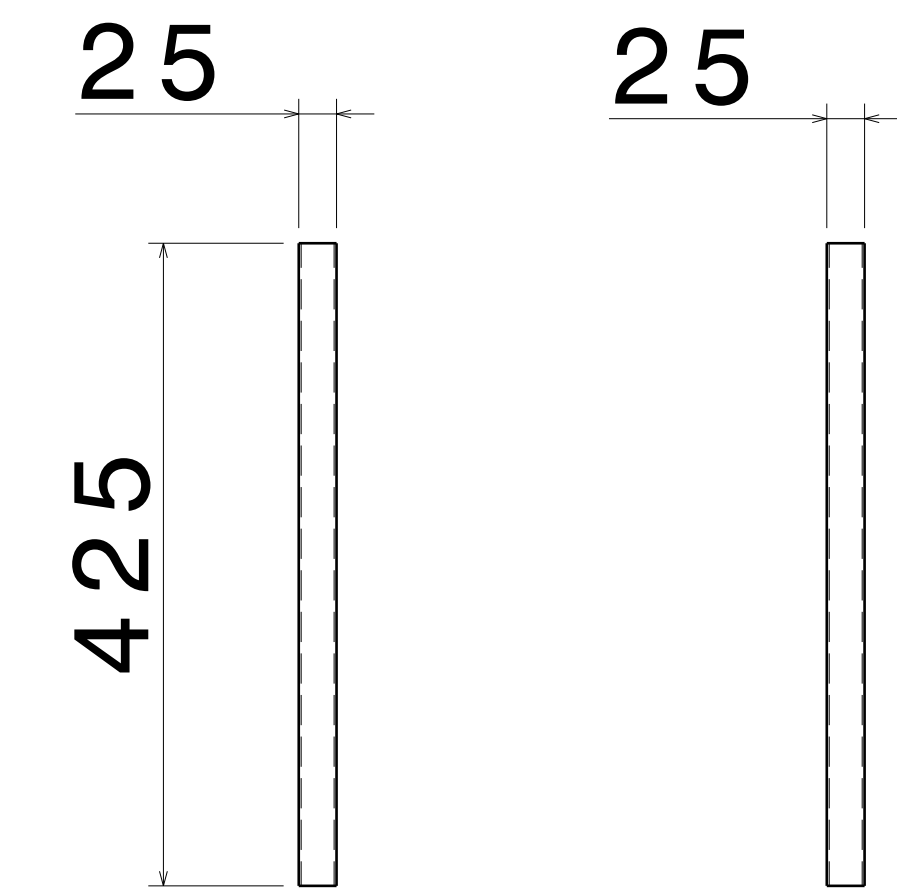
FRONT VIEW RIGHT VIEW  
SCALE: 1:2 SCALE: 1:2  
ITEM 10, SHS FRAME 8  
THICKNESS - 1.6MM



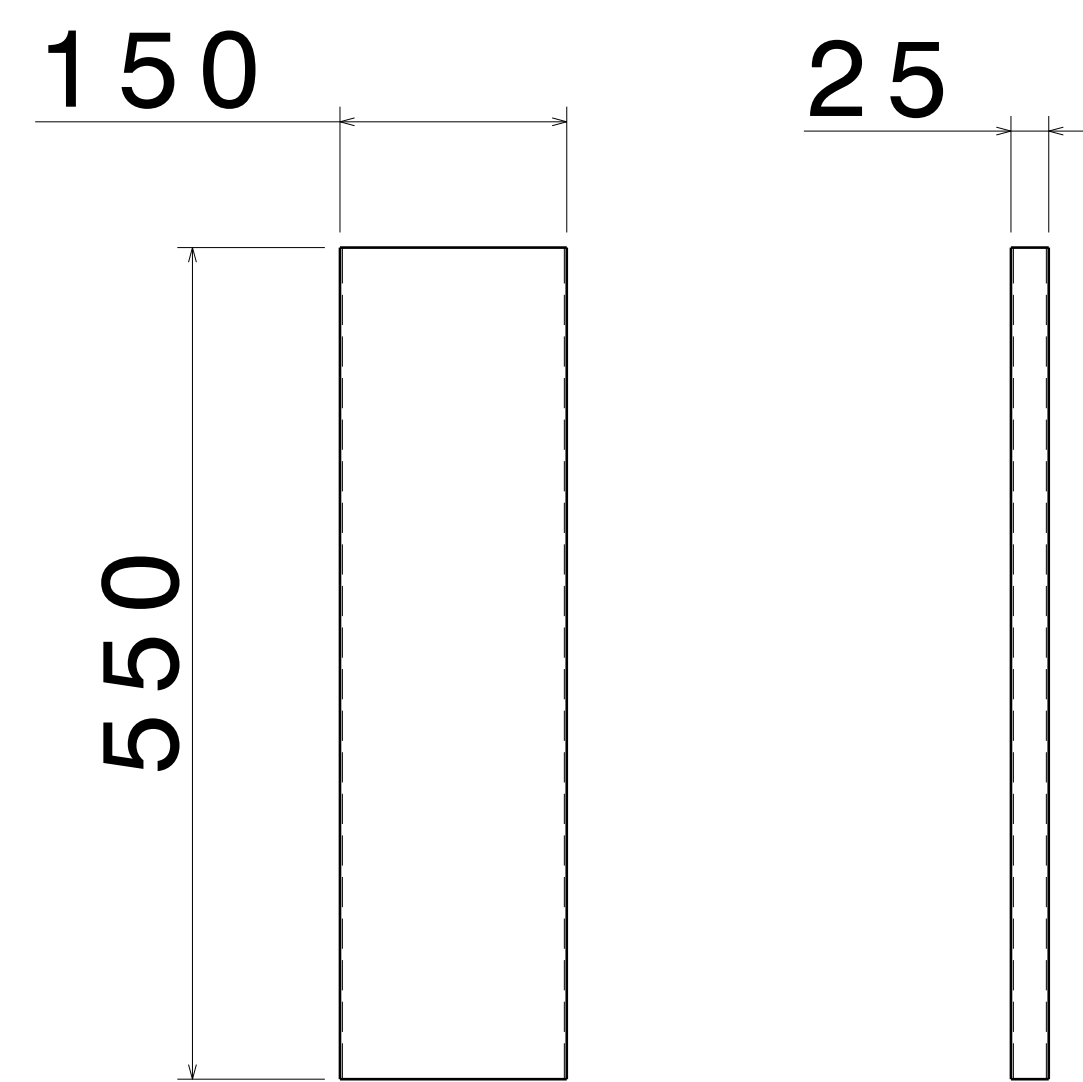
FRONT VIEW RIGHT VIEW  
SCALE: 1:5 SCALE: 1:5  
ITEM 11, SHS FRAME 9  
THICKNESS - 1.6MM



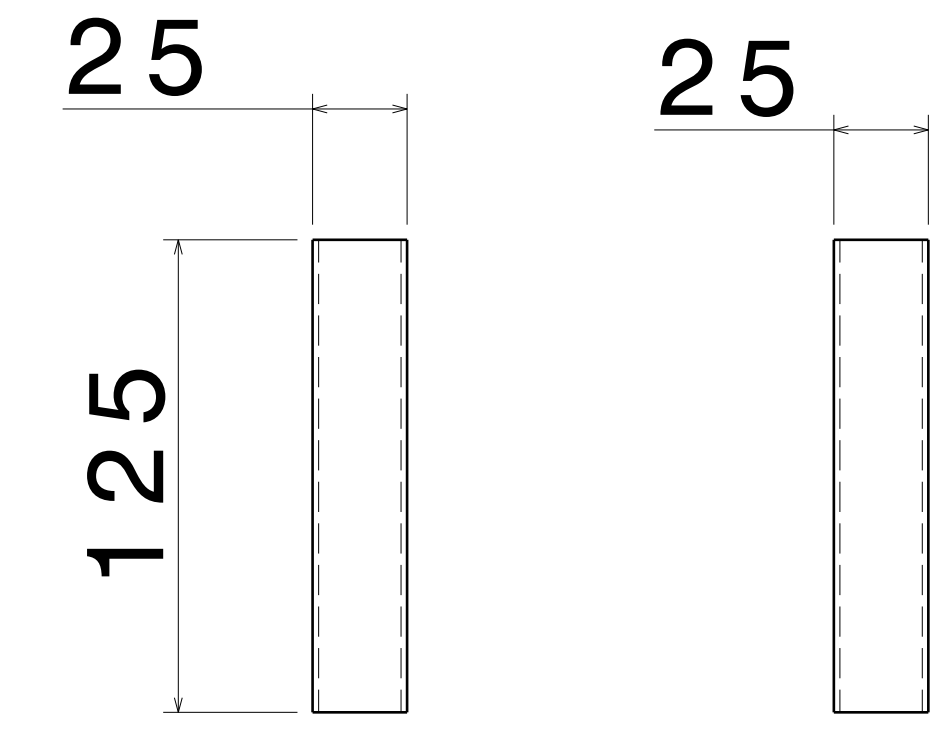
FRONT VIEW RIGHT VIEW  
SCALE: 1:5 SCALE: 1:5  
ITEM 12, SHS FRAME 10  
THICKNESS - 1.6MM



FRONT VIEW RIGHT VIEW  
SCALE: 1:5 SCALE: 1:5  
ITEM 14, SHS FRAME 11  
THICKNESS - 1.6MM



FRONT VIEW RIGHT VIEW  
SCALE: 1:5 SCALE: 1:5  
ITEM 13, RHS PLANK 3  
THICKNESS - 1.6MM



FRONT VIEW RIGHT VIEW  
SCALE: 1:2 SCALE: 1:2  
ITEM 15, SHS FRAME 12  
THICKNESS - 1.6MM

UNLESS OTHERWISE SPECIFIED DIMENSION ARE IN MM VIEWS: THIRD ANGLE PROJECTION

This drawing is our property. It can't be reproduced or communicated without our written agreement.		APL APOLLO TUBES LTD.	
DRAWN BY: SB		DRAWING TITLE: JAN21-5	
CHECKED BY: P2P Analysis & Solutions		SIZE: A0	
DESIGNED BY: P2P Analysis & Solutions		DRAWING NUMBER: P2P JAN21-5	
DATE: 07JAN2021		REV: 00	
SCALE: NONE		WEIGHT (kg): XXX	
		SHEET 3 OF 3	