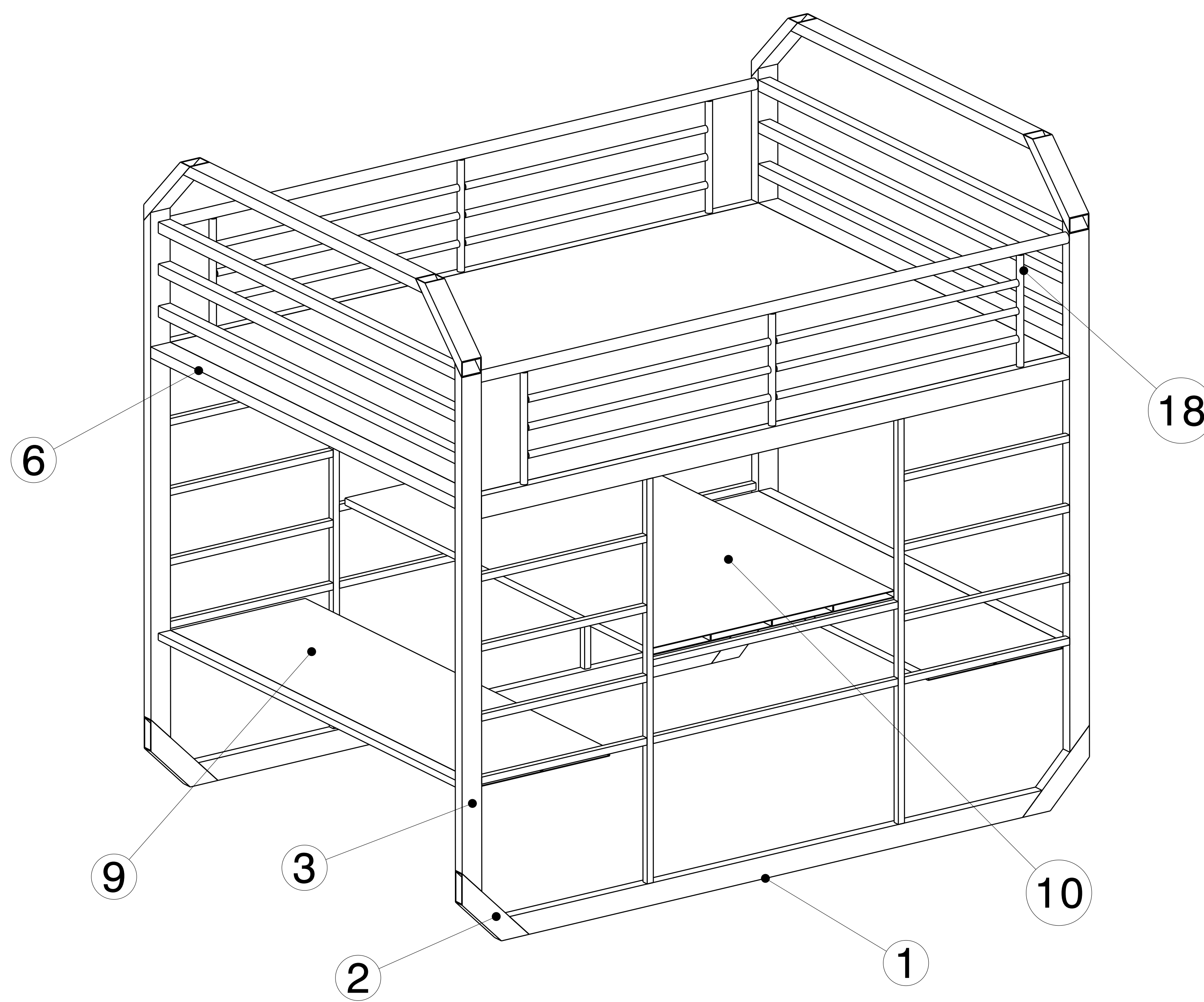
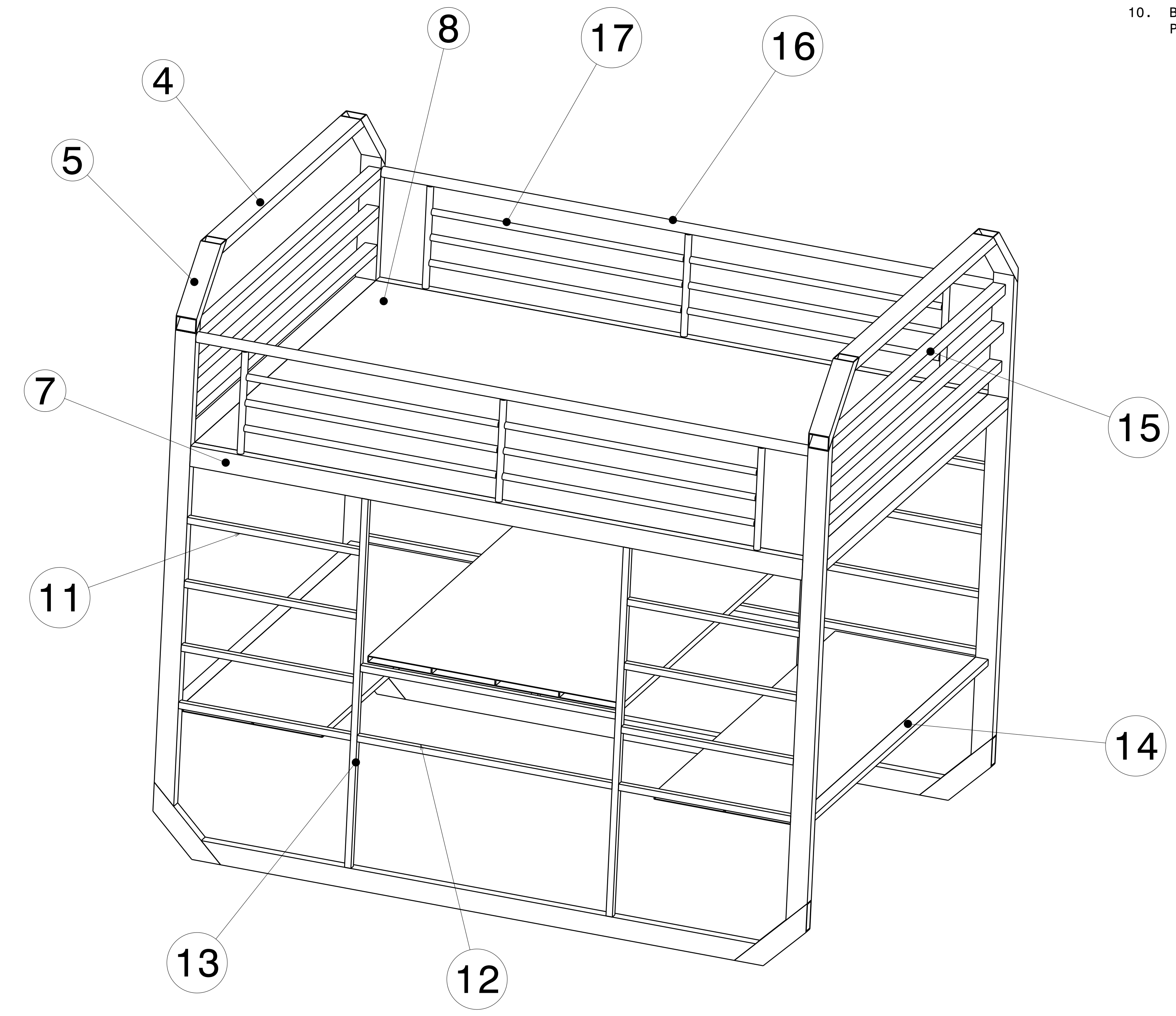


REV	DATE	DESCRIPTION
00	09JAN2021	INITIAL REVISION

- NOTES:
- (⊥) ALL VERTICAL SUPPORTS ARE PERPENDICULAR.
  - FLATNESS OF .5MM IS APPLIED BY DEFAULT.
  - ⊘ WELD BEAD OF 2MM RADIUS IS FOLLOWED.
  - ▽ SURFACE FINISH MEDIUM TO SMOOTH IS USED.
  - ALL TUBES ARE AS PER APL APOLLO STANDARD. CHANGES MAY EFFECT THE LOAD CAPACITY.
  - ALL HORIZONTAL AND VERTICAL TUBES ARE PERPENDICULAR TO EACH OTHER WITH ±1 DEG.
  - FINE WELDING IS REQUIRED AS PER MENTIONED DETAILS AND FINISHING.
  - HIGHER CURRENT WELDING MAY AFFECT THE BRITTLINESS OF MATERIAL WHICH LATER MAY RAISE TO WEAKENING OF STRUCTURE.
  - FABRICATORS ARE ALLOWED TO USE FITTINGS/FRAMES/SUPPORTS AS NEEDED AND THE SAME MUST BE COMMUNICATED BACK TO ENGINEERING TEAM.
  - BOP COMPONENT WEIGHTS ARE FOR REFERENCE ONLY AND SUBJECTED TO CHANGE PER PURCHASED COMPONENTS.



ISOMETRIC VIEW  
SCALE : 1:10



ISOMETRIC VIEW  
SCALE : 1:10

ITEM NO.	PART NUMBER	DESCRIPTION	QTY.	Wt (Kg) /Each
18	CIRCULAR FRAME 3	DIA 25 X 1.6 X 400	6	0.37
17	CIRCULAR FRAME 2	DIA 25 X 1.6 X 987.5	12	0.12
16	CIRCULAR FRAME 1	DIA 40 X 2.6 X 2400	2	5.76
15	SHS FRAME 4	40 X 40 X 2.6 X 1800	6	6.11
14	RHS FRAME 8	50 X 25 X 3.2 X 1800	2	6.21
13	SHS FRAME 3	25 X 25 X 3.2 X 1446.9	4	3.17
12	SHS FRAME 2	25 X 25 X 3.2 X 1000	4	2.19
11	SHS FRAME 1	25 X 25 X 3.2 X 675	16	1.48
10	RHS PLANK 3	250 X 25 X 2 X 1800	4	15.34
9	RHS PLANK 2	275 X 25 X 2 X 1800	4	16.75
8	RHS PLANK 1	200 X 25 X 2 X 2400	9	16.68
7	RHS FRAME 7	80 X 40 X 2.6 X 2400	2	11.26
6	RHS FRAME 6	80 X 40 X 2.6 X 1800	2	8.45
5	RHS FRAME 5	80 X 40 X 2.6 X 386.3	4	1.62
4	RHS FRAME 4	80 X 40 X 2.6 X 1413.7	2	6.45
3	RHS FRAME 3	80 X 40 X 2.6 X 1853.7	4	8.6
2	RHS FRAME 2	80 X 40 X 2.6 X 386.3	4	1.44
1	RHS FRAME 1	80 X 40 X 2.6 X 2173.7	2	9.82

This drawing is our property. It can't be reproduced or communicated without our written agreement.

APL APOLLO TUBES LTD.

DRAWING TITLE: JAN21-6

SIZE: A0 DRAWING NUMBER: P2P JAN21-6 REV: 00

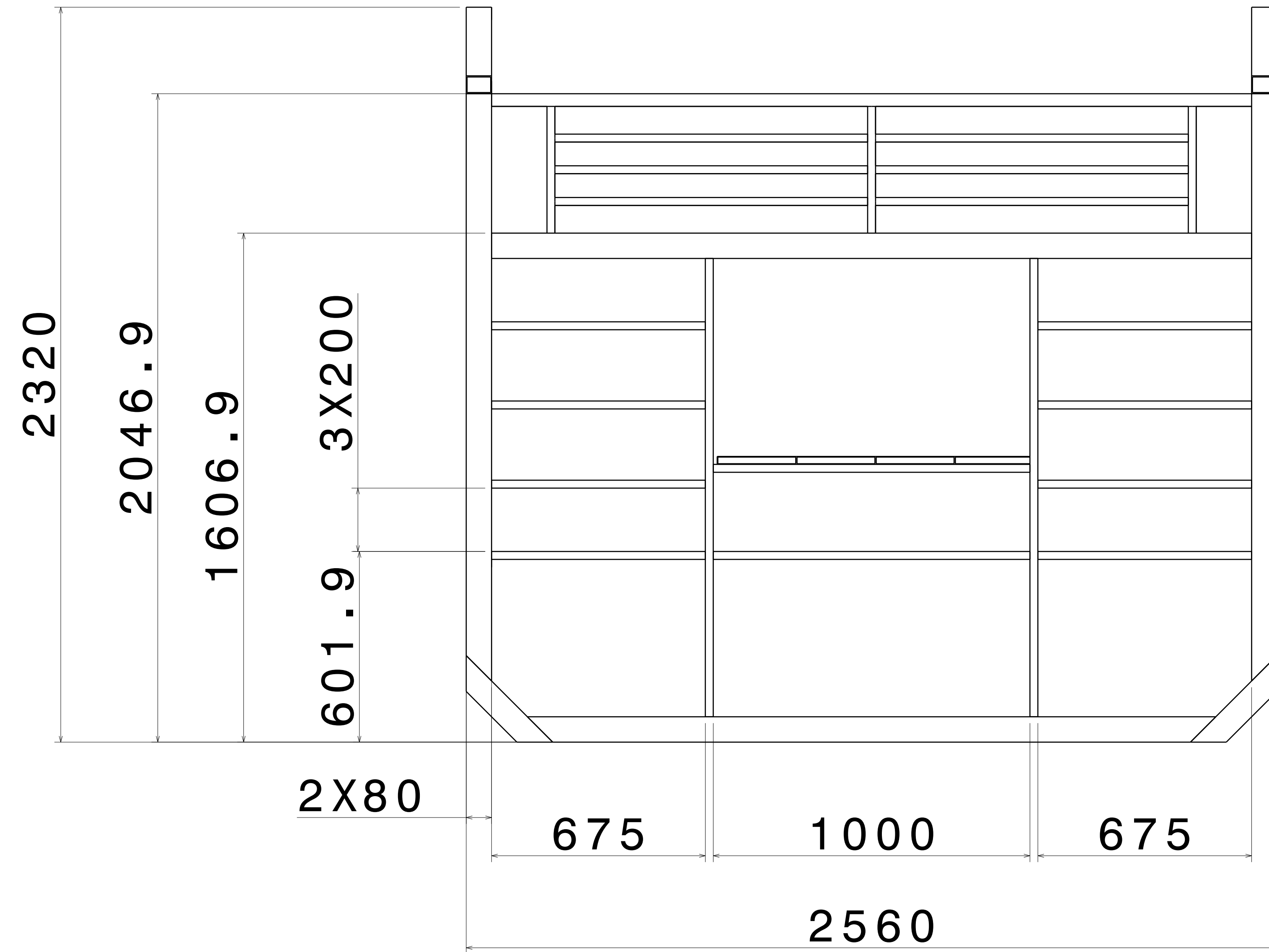
SCALE: As Indicated WEIGHT (kg): 0kg SHEET 1 OF 3

UNLESS OTHERWISE SPECIFIED DIMENSION ARE IN MM VIEWS: THIRD ANGLE PROJECTION

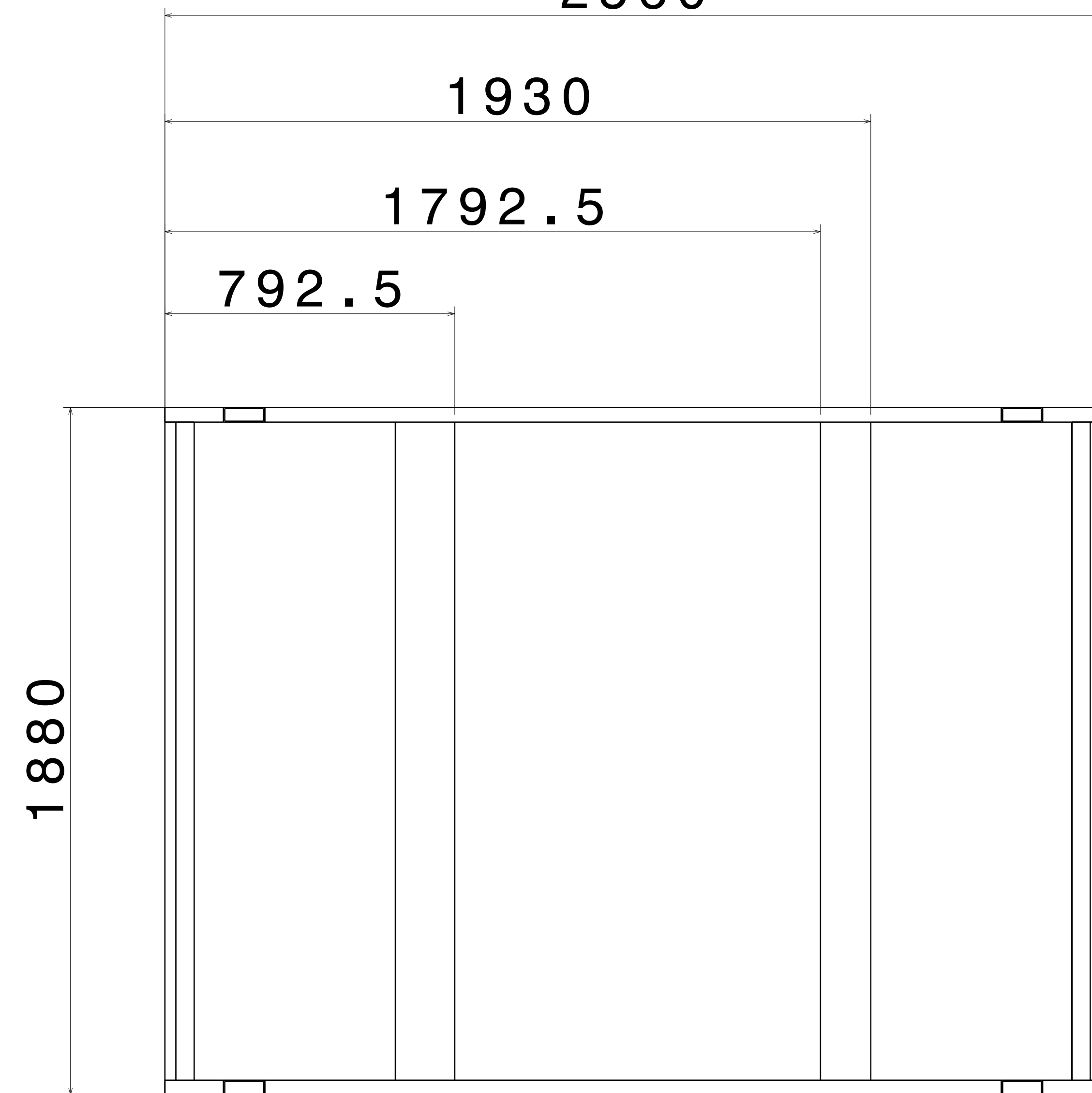
DESIGNED BY: P2P Analysis & Solutions DATE: 09JAN2021  
 CHECKED BY: P2P Analysis & Solutions DATE: 09JAN2021  
 DRAWN BY: VM DATE: 09JAN2021



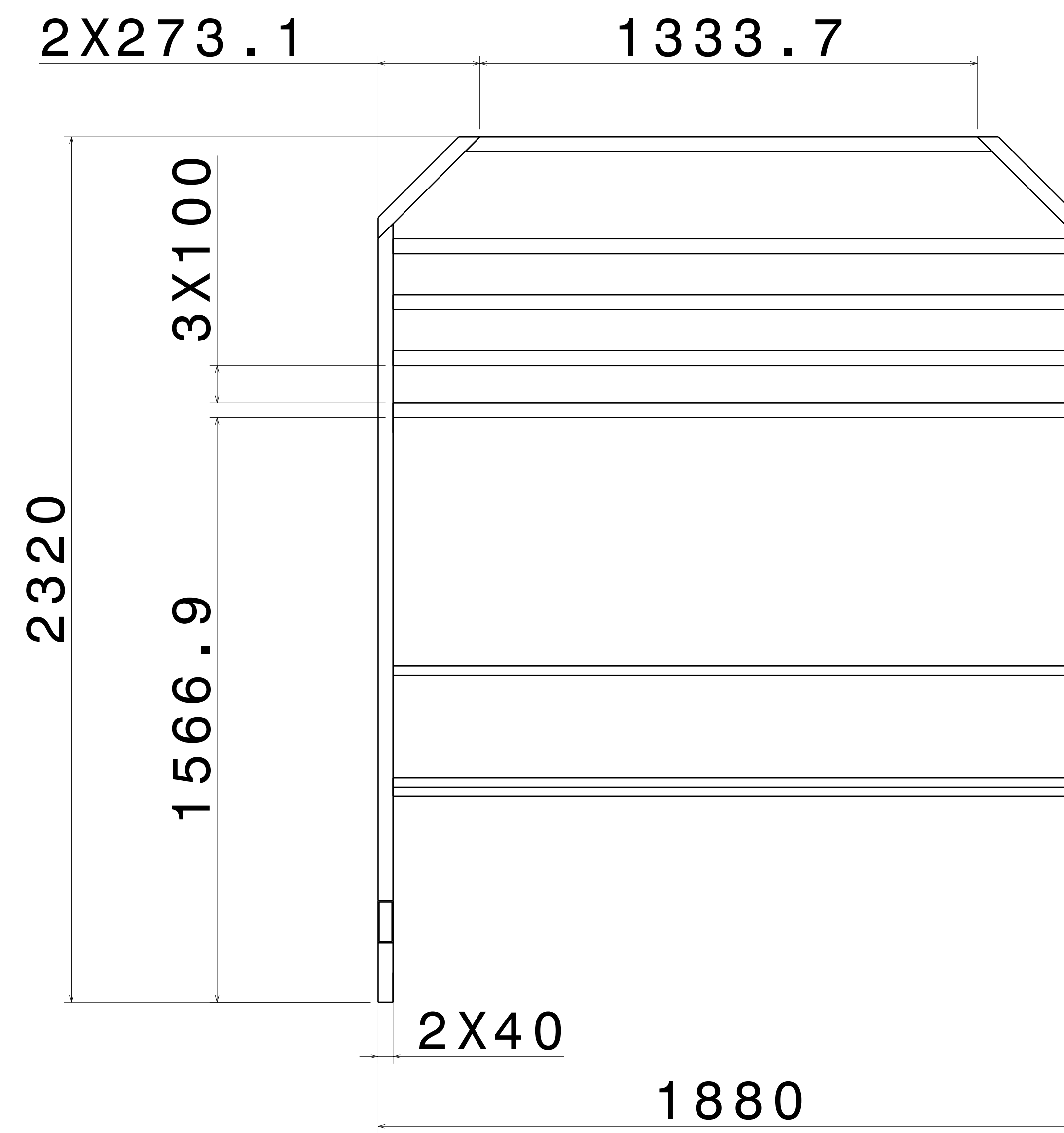
REV	DATE	DESCRIPTION
00	09JAN2021	INITIAL REVISION



FRONT VIEW  
SCALE: 1:10  
2560

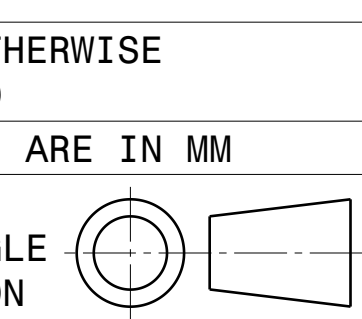



BOTTOM VIEW  
SCALE: 1:10



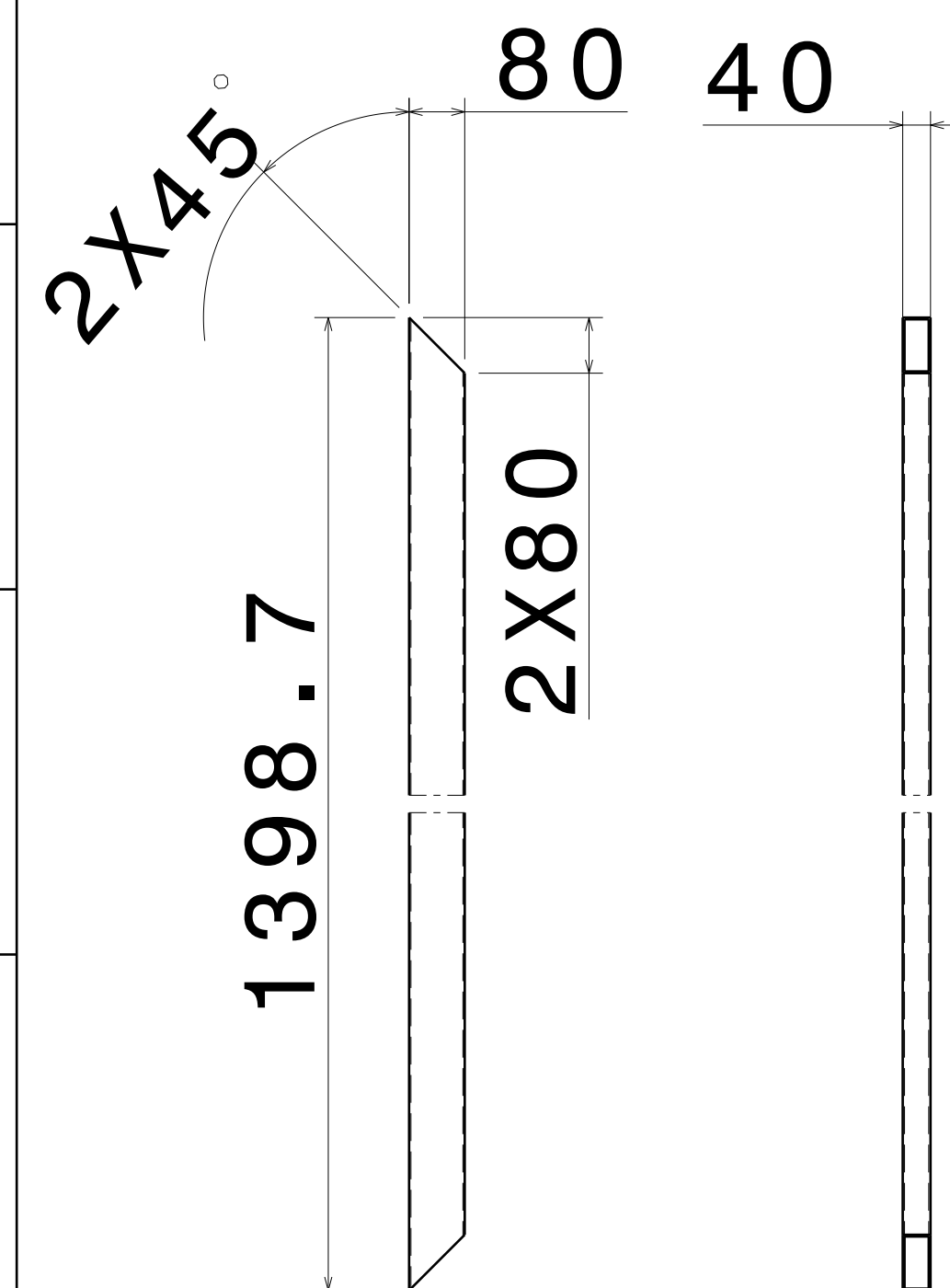
RIGHT VIEW  
SCALE: 1:10

UNLESS OTHERWISE SPECIFIED DIMENSION ARE IN MM  
VIEWS: THIRD ANGLE PROJECTION

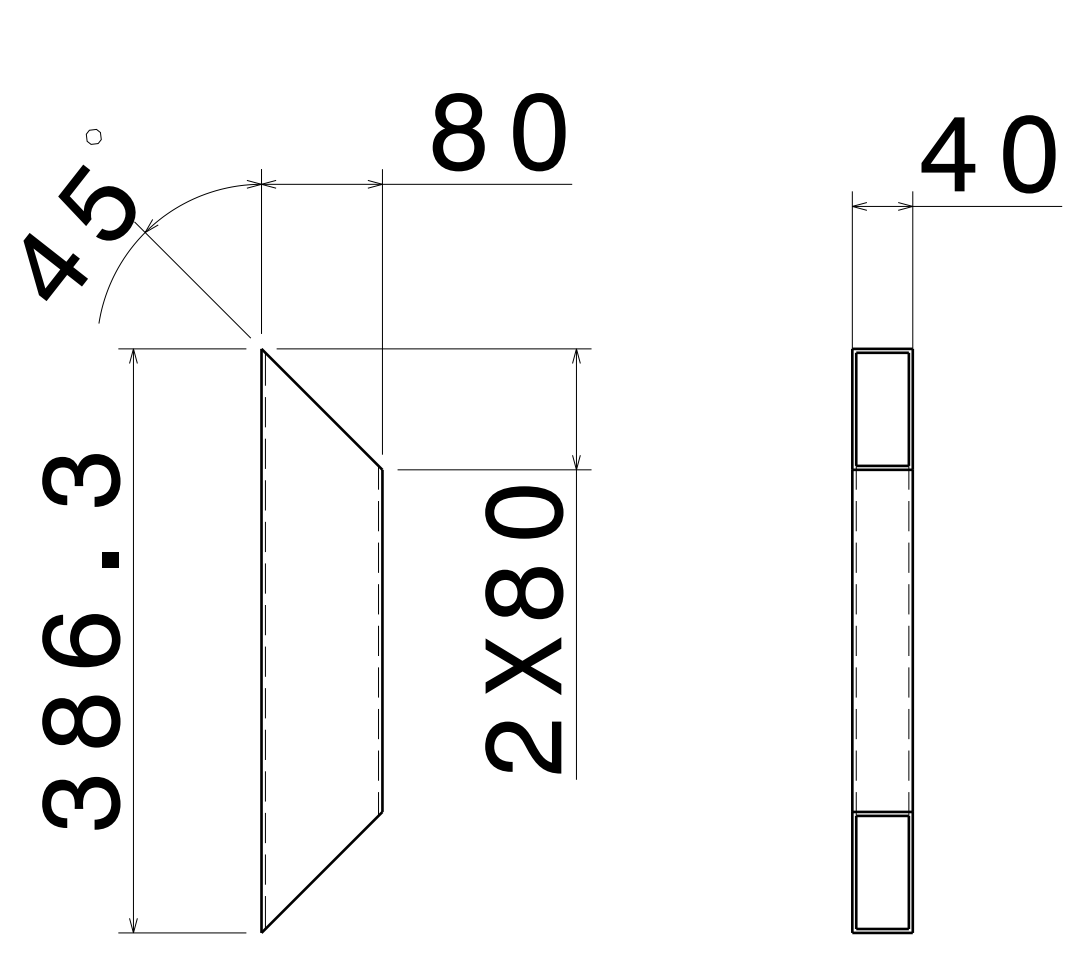


This drawing is our property. It can't be reproduced or communicated without our written agreement.		APL APOLLO TUBES LTD. 	
DRAWN BY SB		DATE 09JAN2021	
CHECKED BY P2P Analysis & Solutions		DATE 09JAN2021	
DESIGNED BY P2P Analysis & Solutions		DATE 09JAN2021	
DRAWING TITLE JAN21-6		SIZE A0	DRAWING NUMBER P2P JAN21-6
SCALE NONE		WEIGHT (kg) XXX	REV 00
		SHEET 2 OF 3	

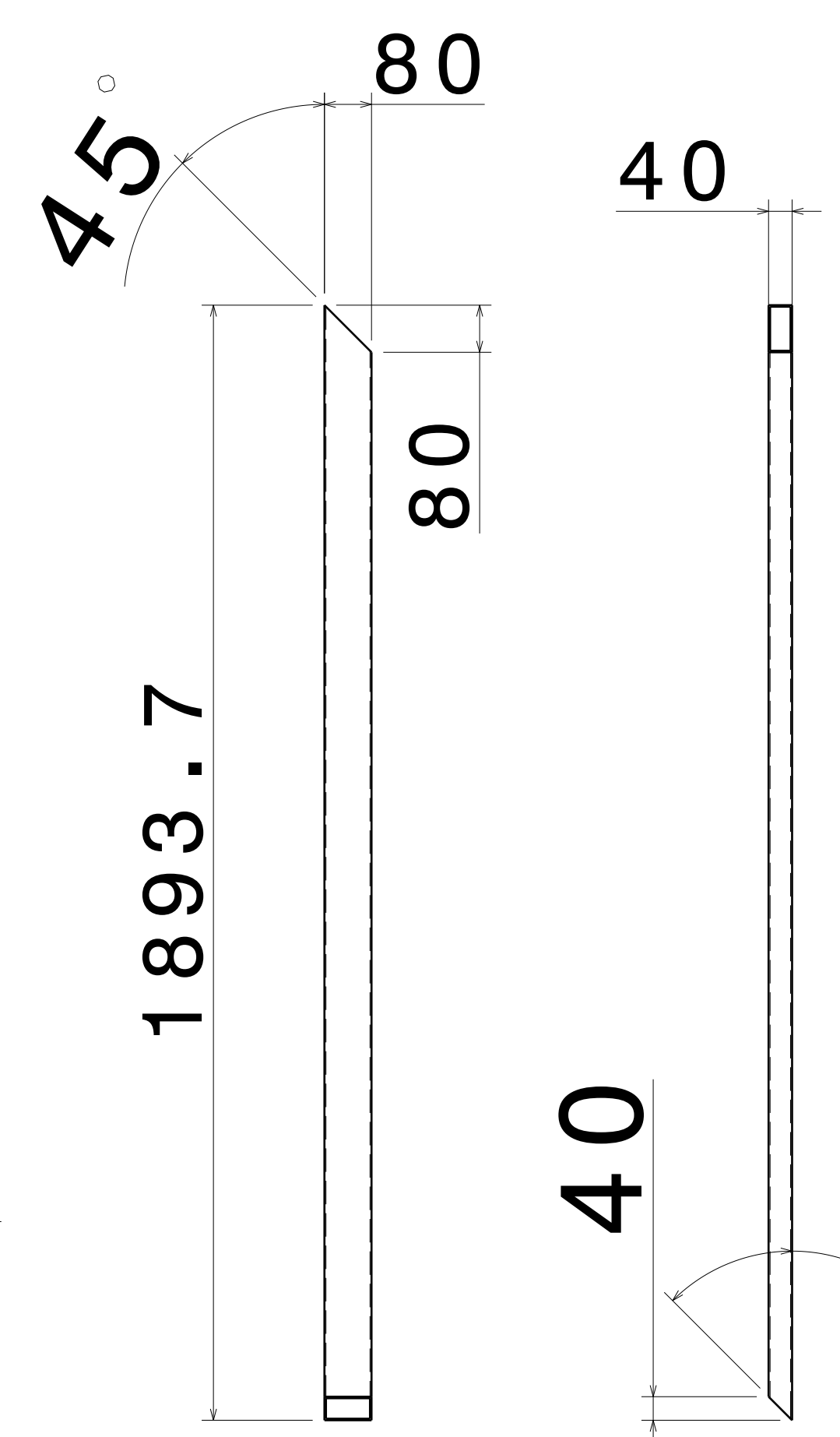
REV	DATE	DESCRIPTION
00	09JAN2021	INITIAL REVISION



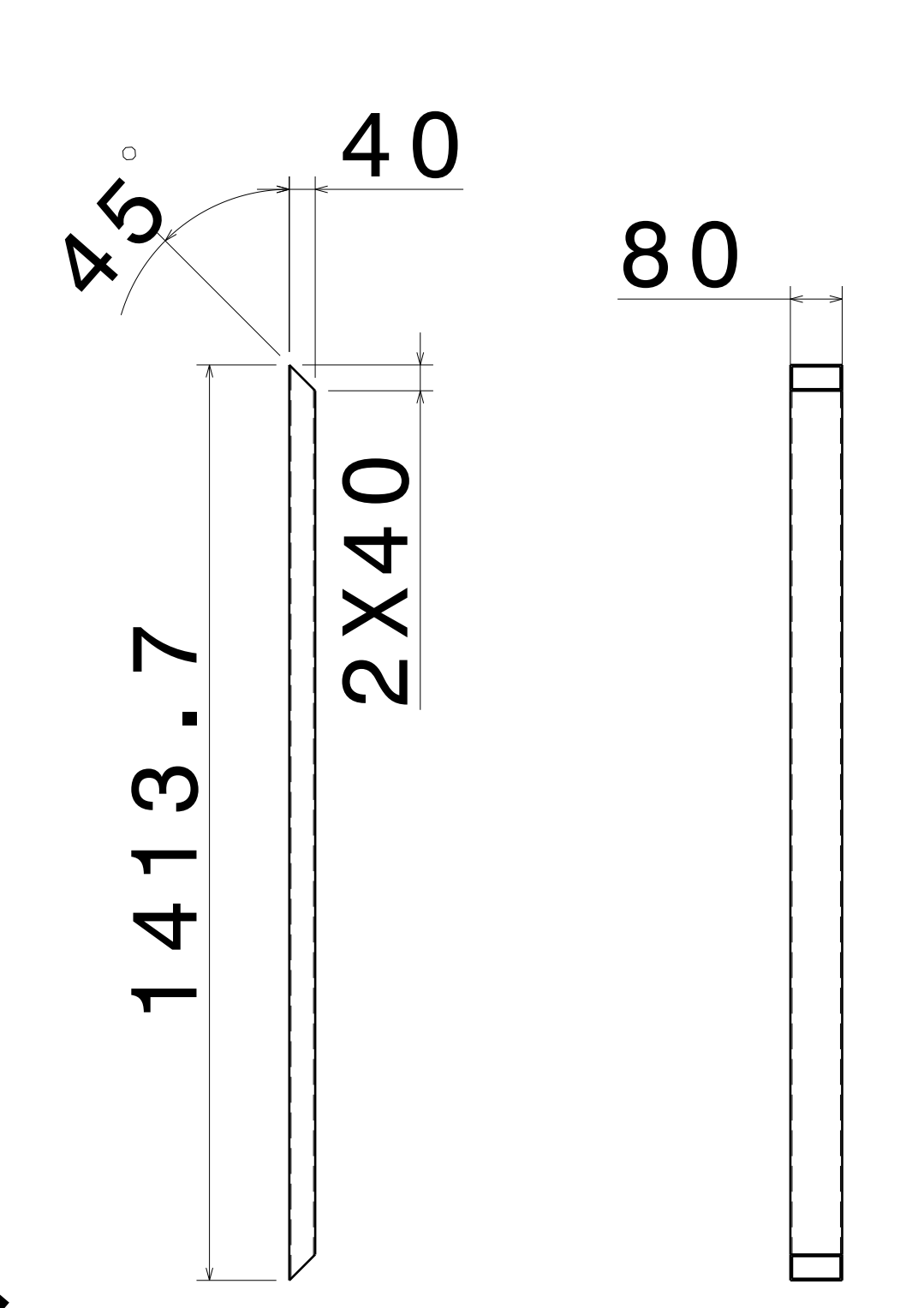
FRONT VIEW RIGHT VIEW  
SCALE: 1:10 SCALE: 1:10  
ITEM 1, RHS FRAME 1  
THICKNESS - 2.6MM



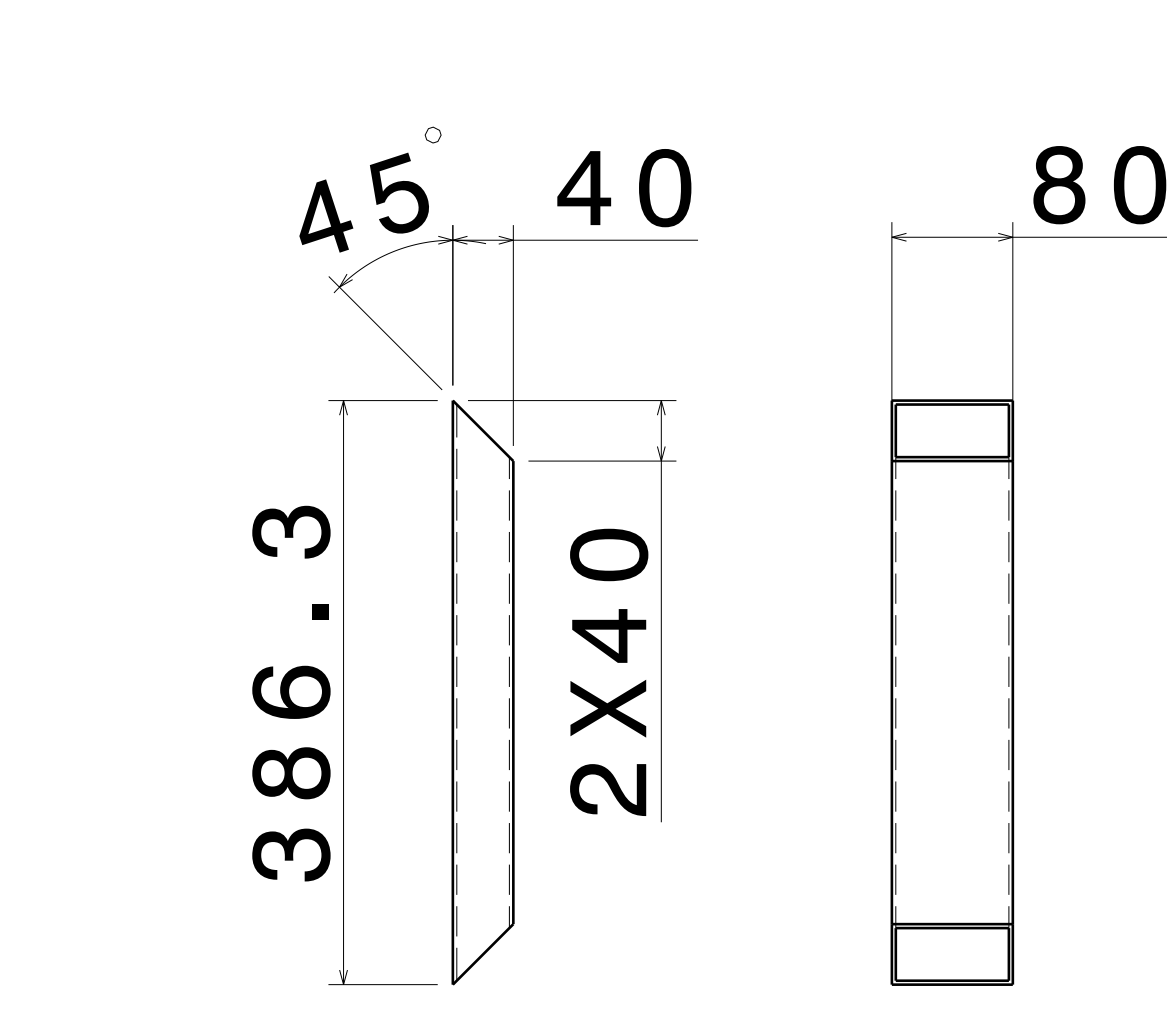
FRONT VIEW RIGHT VIEW  
SCALE: 1:5 SCALE: 1:5  
ITEM 2, RHS FRAME 2  
THICKNESS - 2.6MM



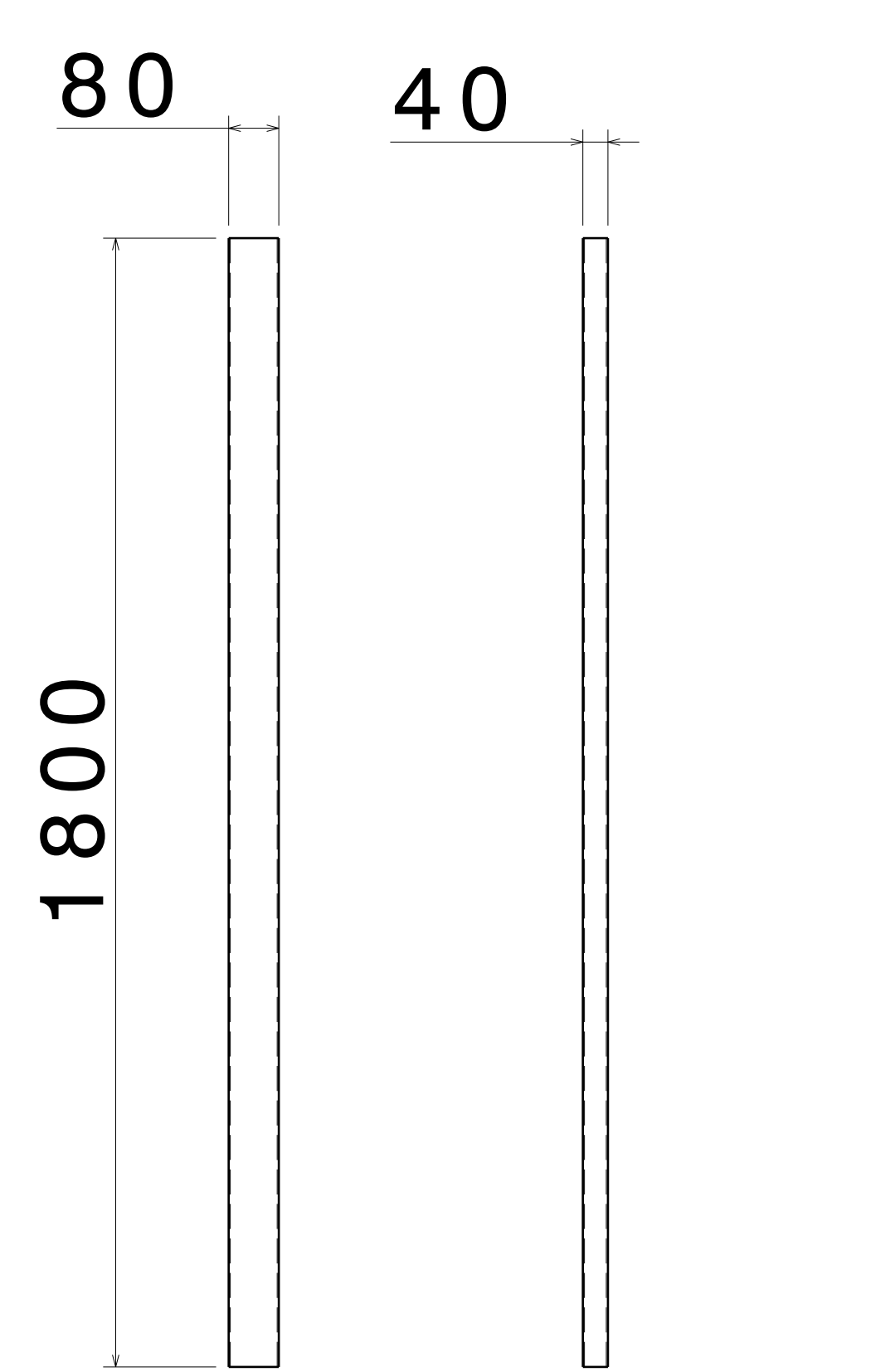
FRONT VIEW RIGHT VIEW  
SCALE: 1:10 SCALE: 1:10  
ITEM 3, RHS FRAME 3  
THICKNESS - 2.6MM



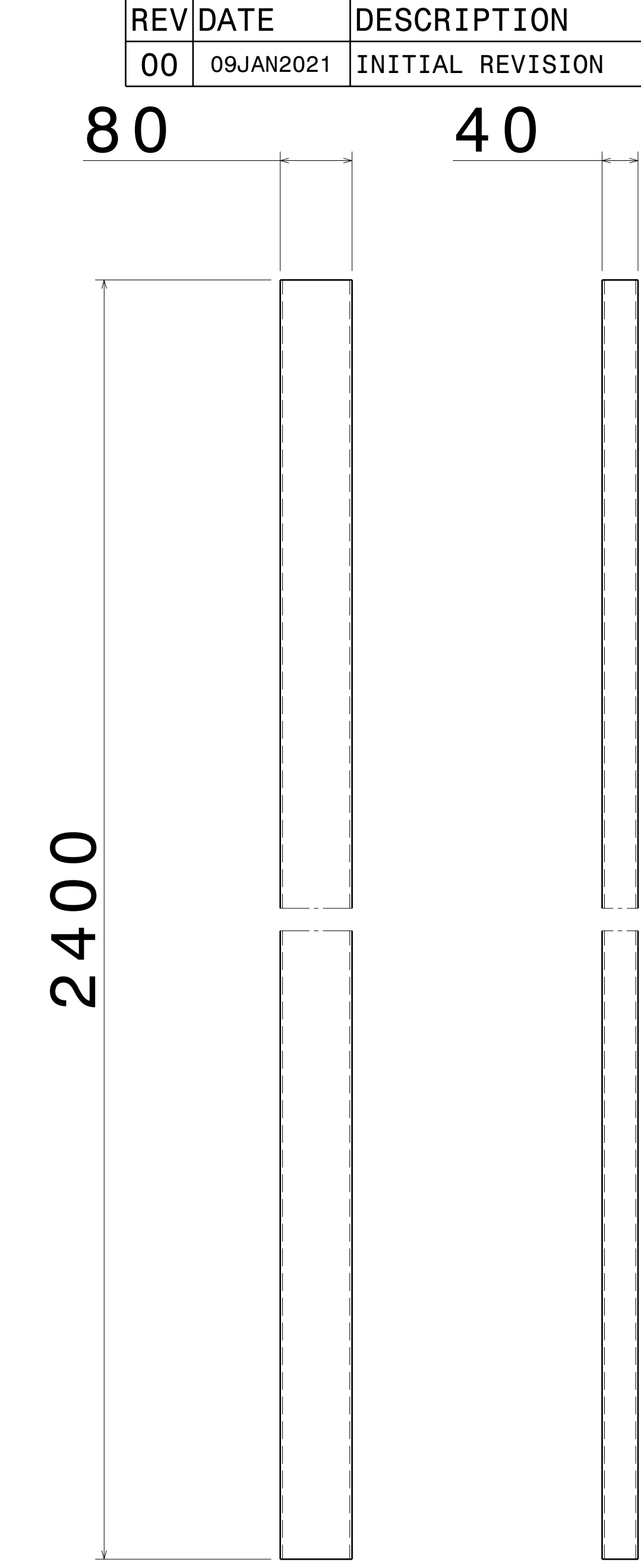
FRONT VIEW RIGHT VIEW  
SCALE: 1:10 SCALE: 1:10  
ITEM 4, RHS FRAME 4  
THICKNESS - 2.6MM



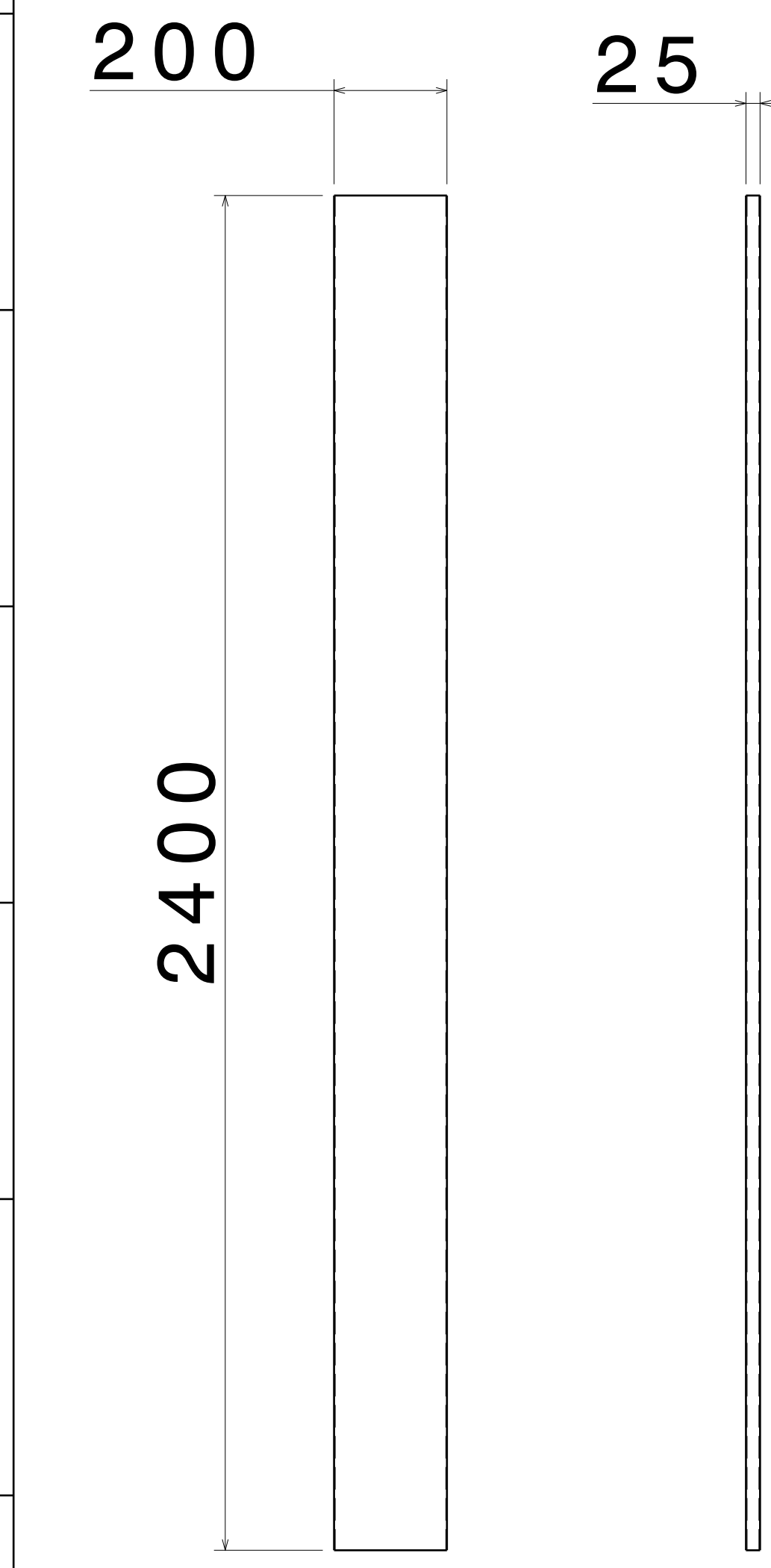
FRONT VIEW RIGHT VIEW  
SCALE: 1:5 SCALE: 1:5  
ITEM 5, RHS FRAME 4  
THICKNESS - 2.6MM



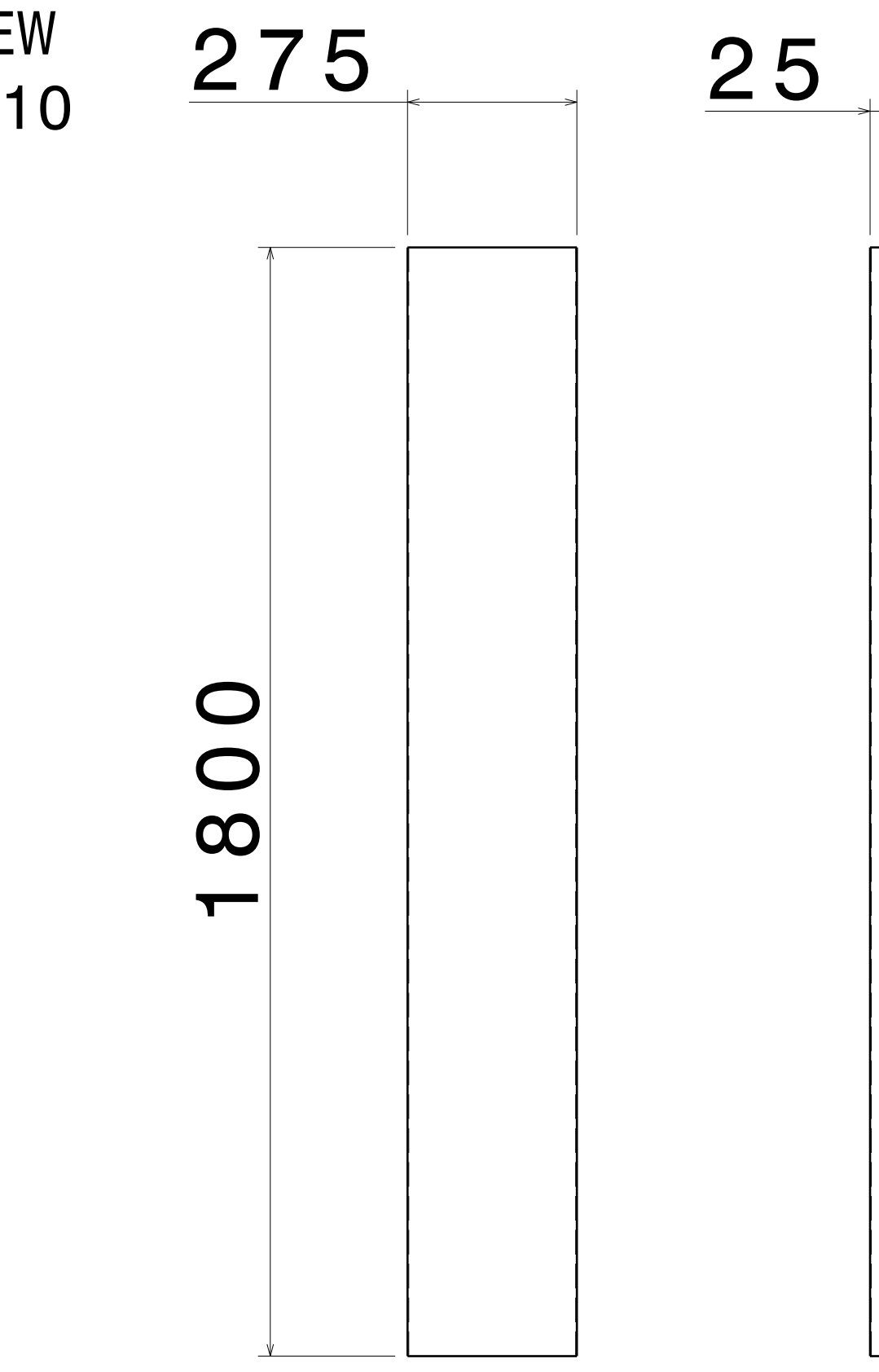
FRONT VIEW RIGHT VIEW  
SCALE: 1:10 SCALE: 1:10  
ITEM 6, RHS FRAME 6  
THICKNESS - 2.6MM



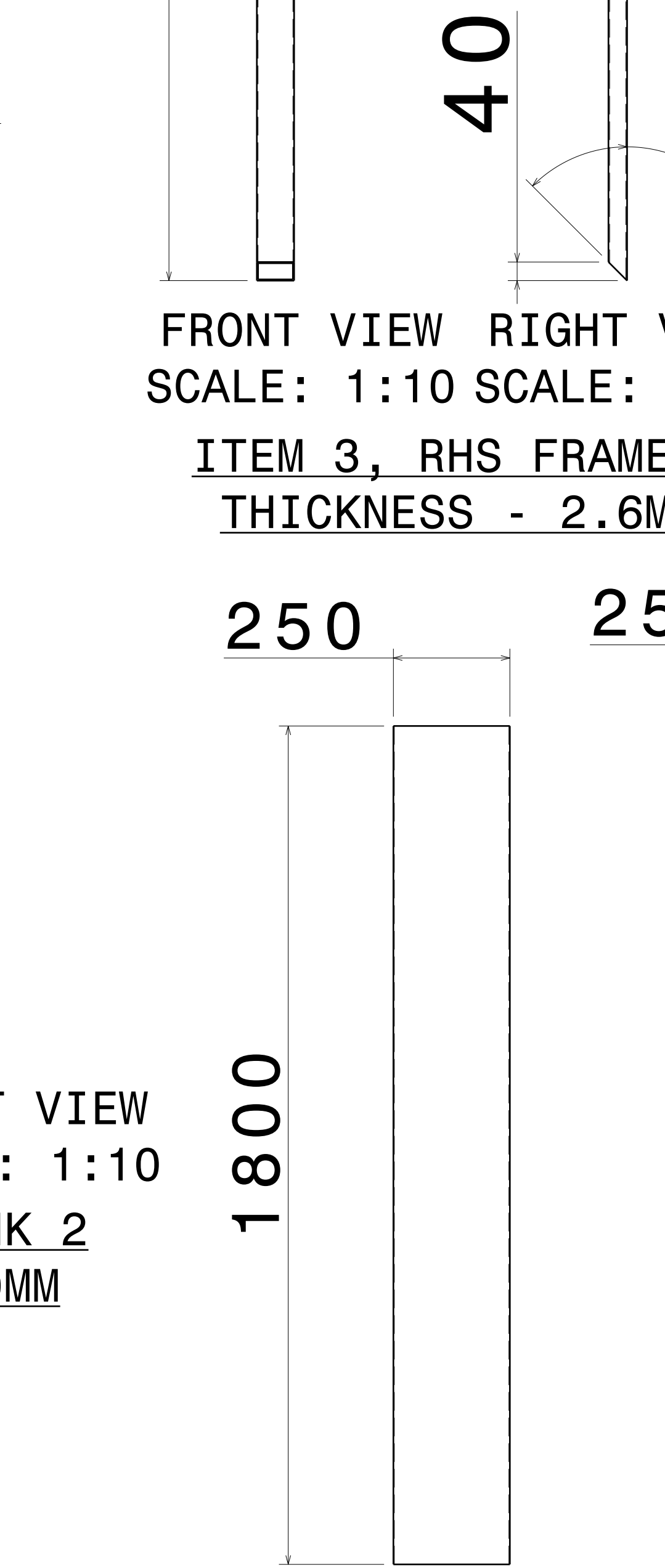
FRONT VIEW RIGHT VIEW  
SCALE: 1:5 SCALE: 1:5  
ITEM 7, RHS FRAME 7  
THICKNESS - 2.6MM



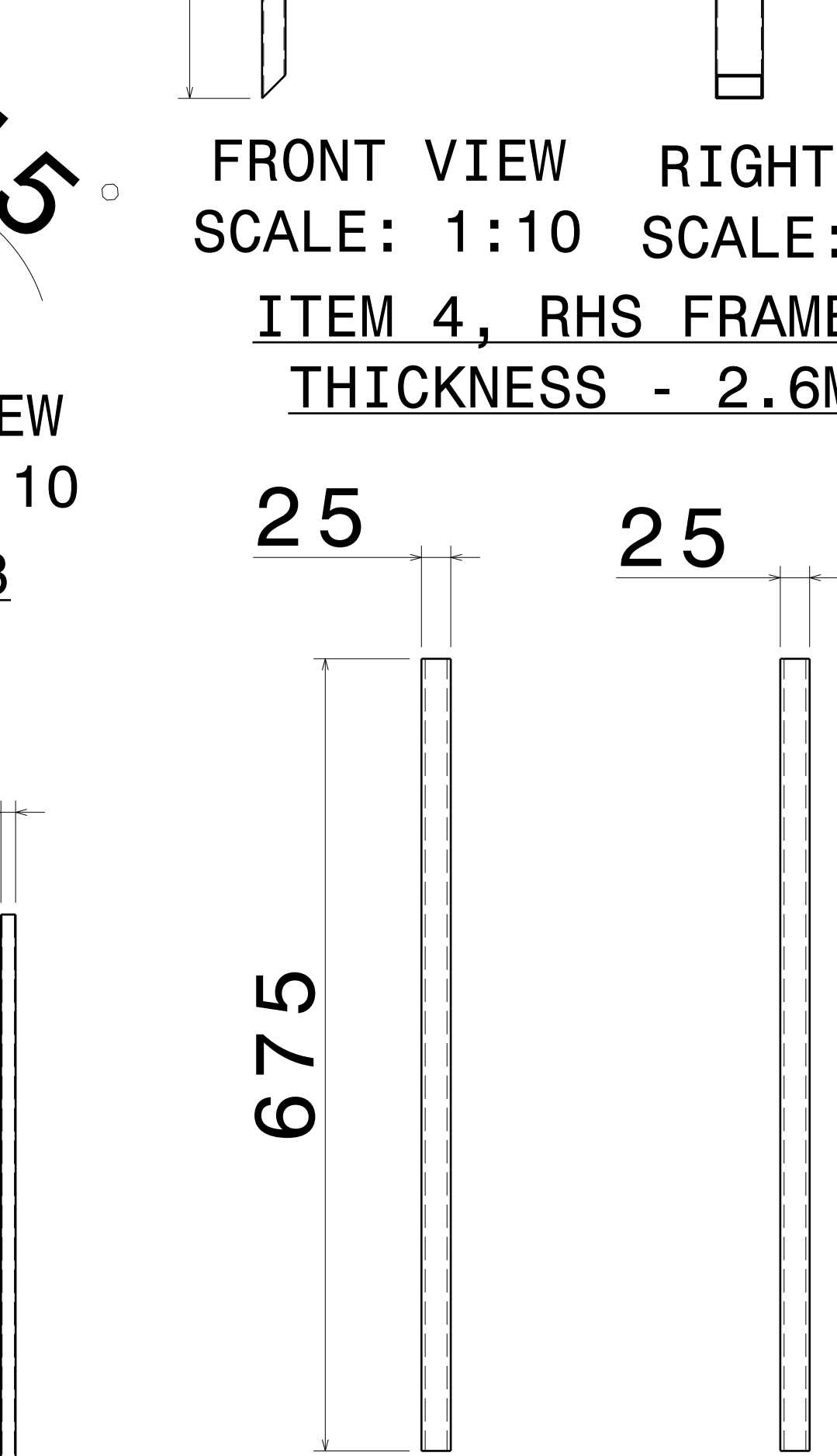
FRONT VIEW RIGHT VIEW  
SCALE: 1:10 SCALE: 1:10  
ITEM 8, RHS PLANK 1  
THICKNESS - 2.0MM



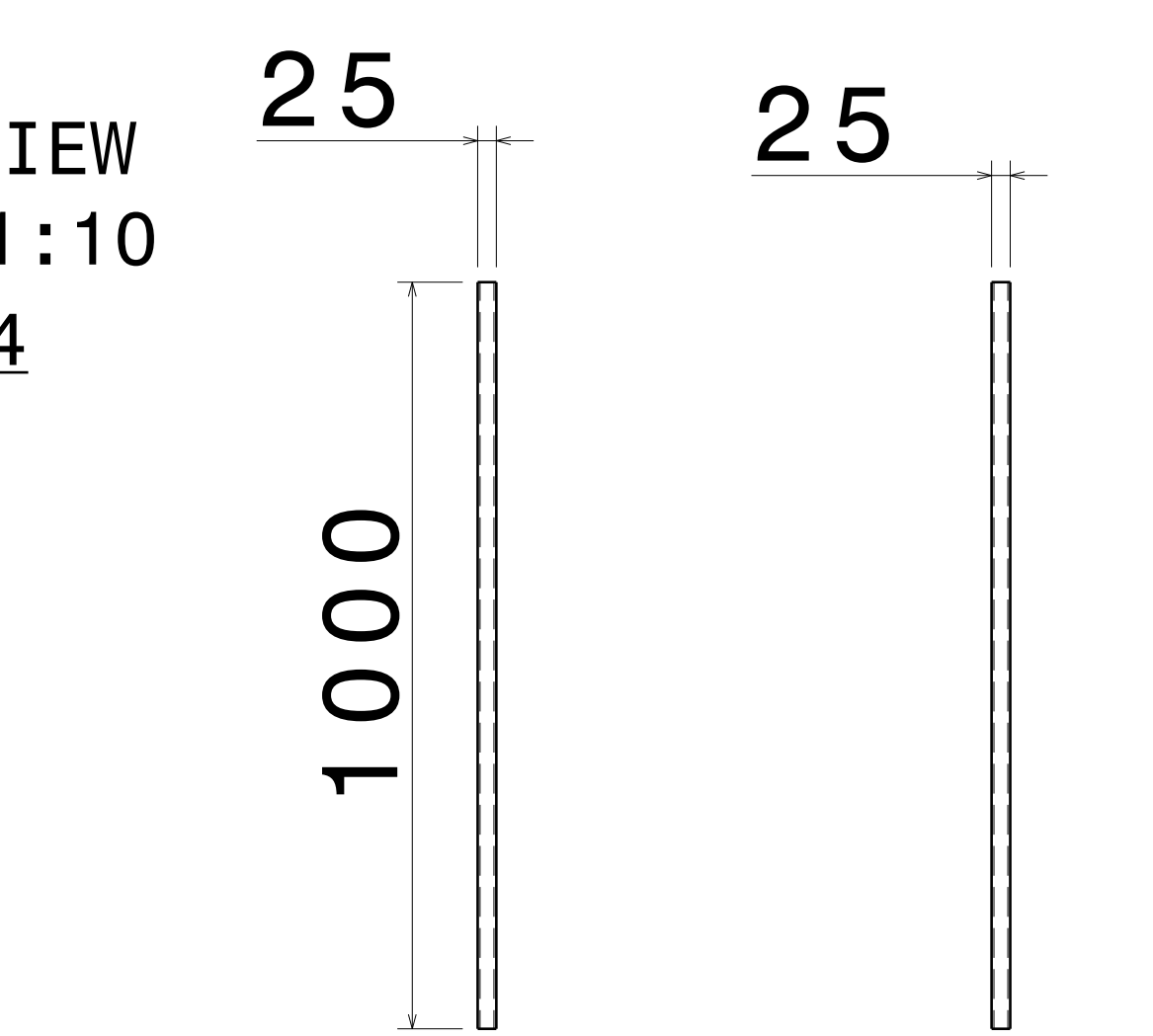
FRONT VIEW RIGHT VIEW  
SCALE: 1:10 SCALE: 1:10  
ITEM 9, RHS PLANK 2  
THICKNESS - 2.0MM



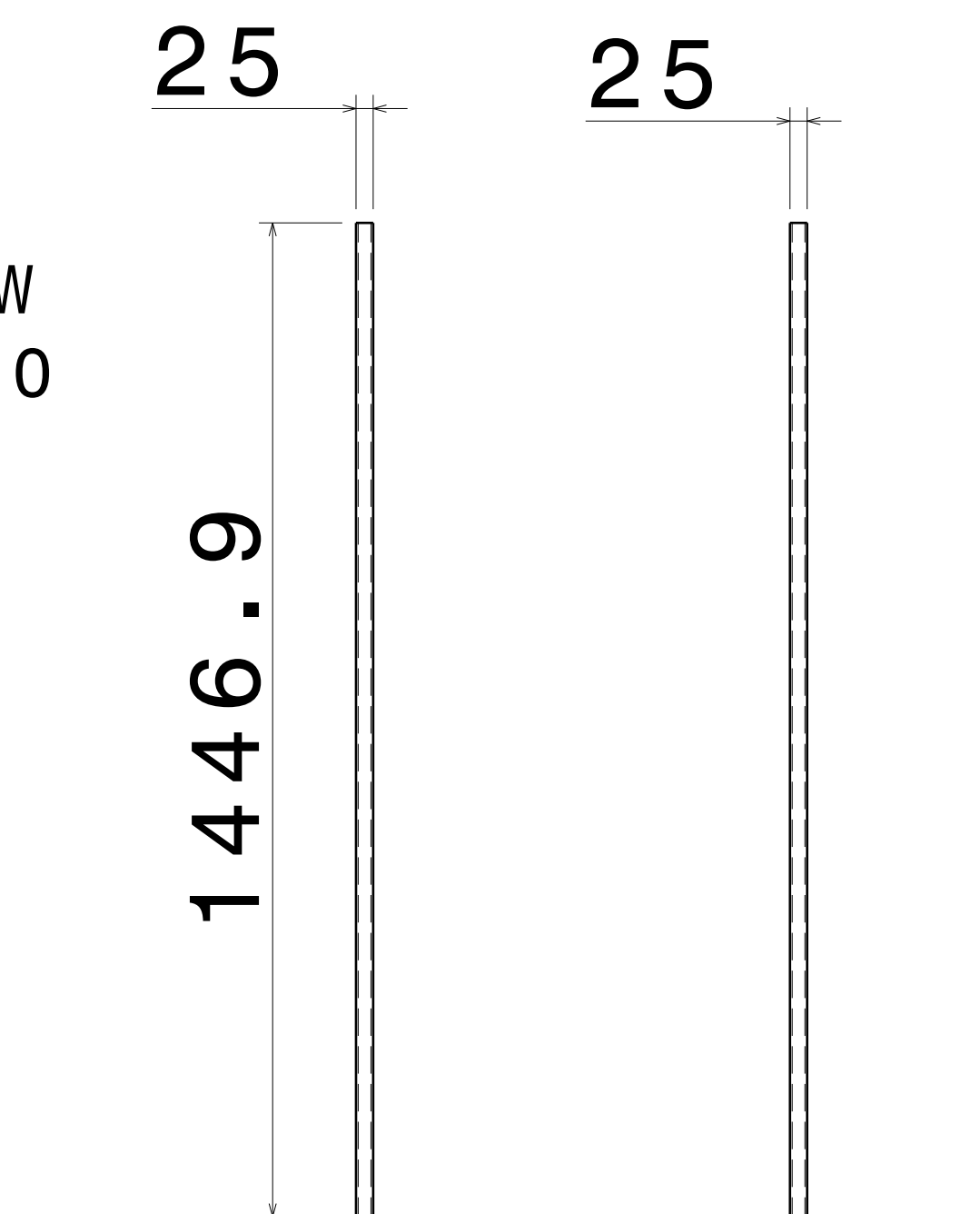
FRONT VIEW RIGHT VIEW  
SCALE: 1:10 SCALE: 1:10  
ITEM 10, RHS PLANK 3  
THICKNESS - 2.0MM



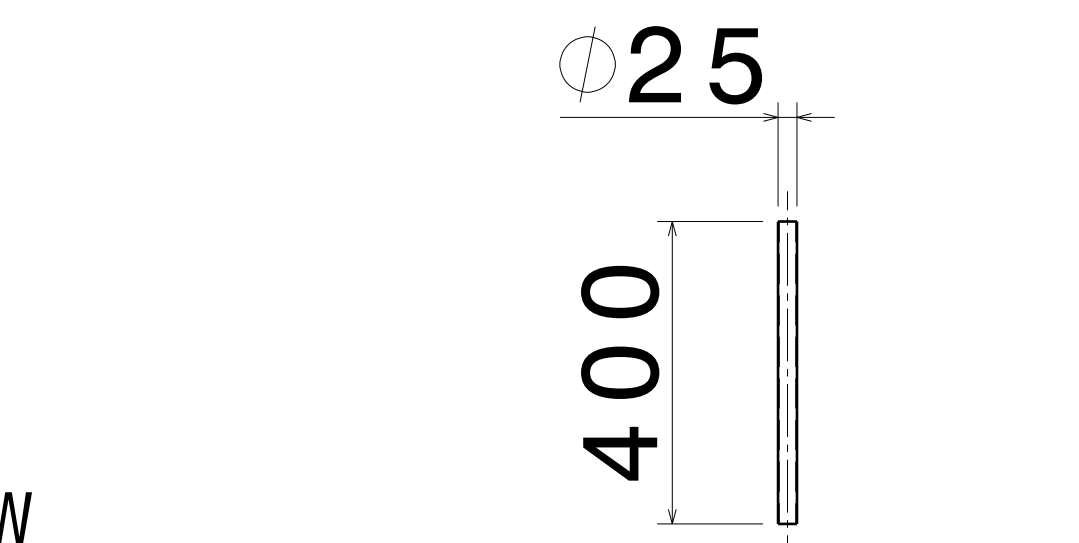
FRONT VIEW RIGHT VIEW  
SCALE: 1:5 SCALE: 1:5  
ITEM 11, SHS FRAME 1  
THICKNESS - 3.2MM



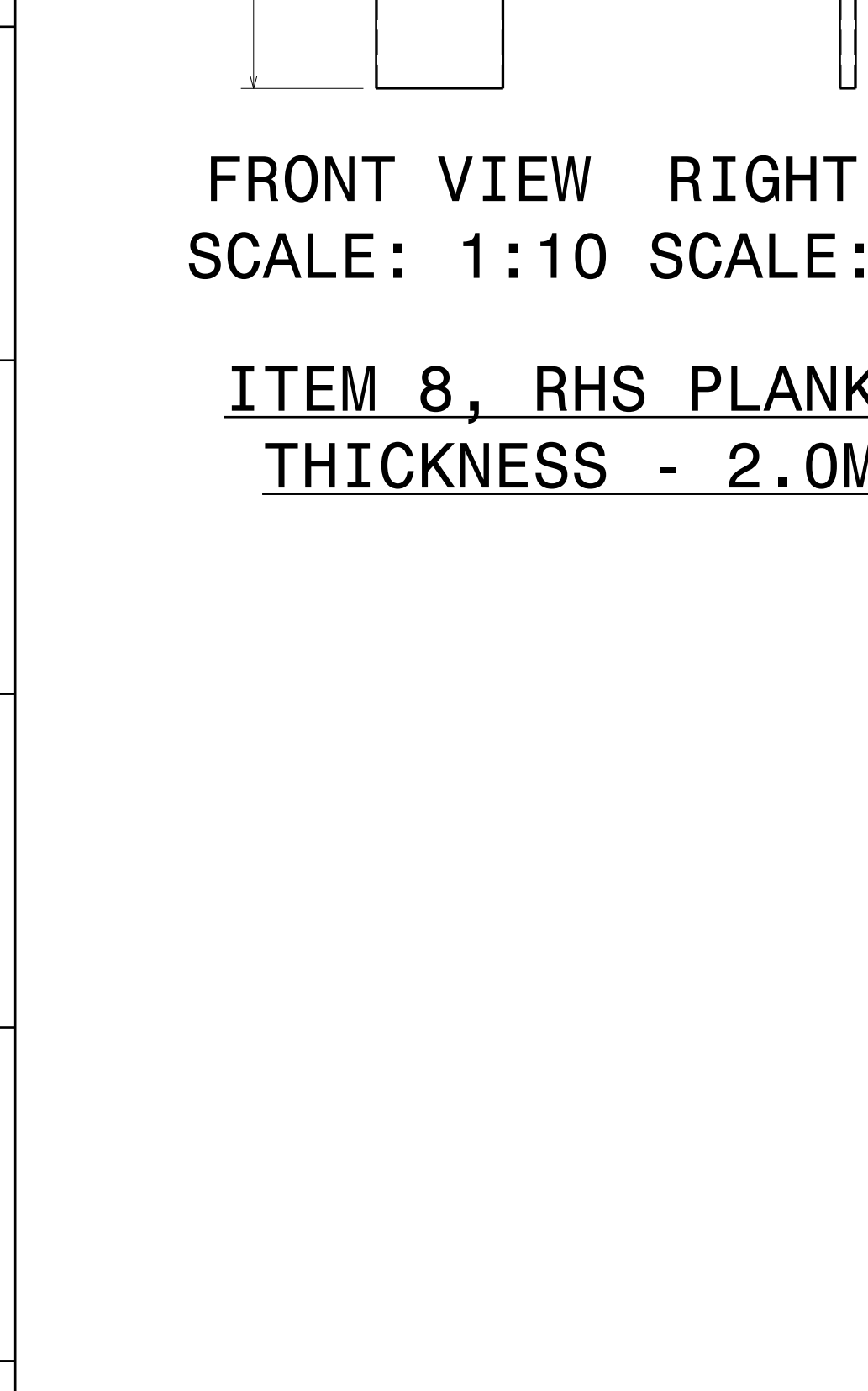
FRONT VIEW RIGHT VIEW  
SCALE: 1:10 SCALE: 1:10  
ITEM 12, SHS FRAME 2  
THICKNESS - 3.2MM



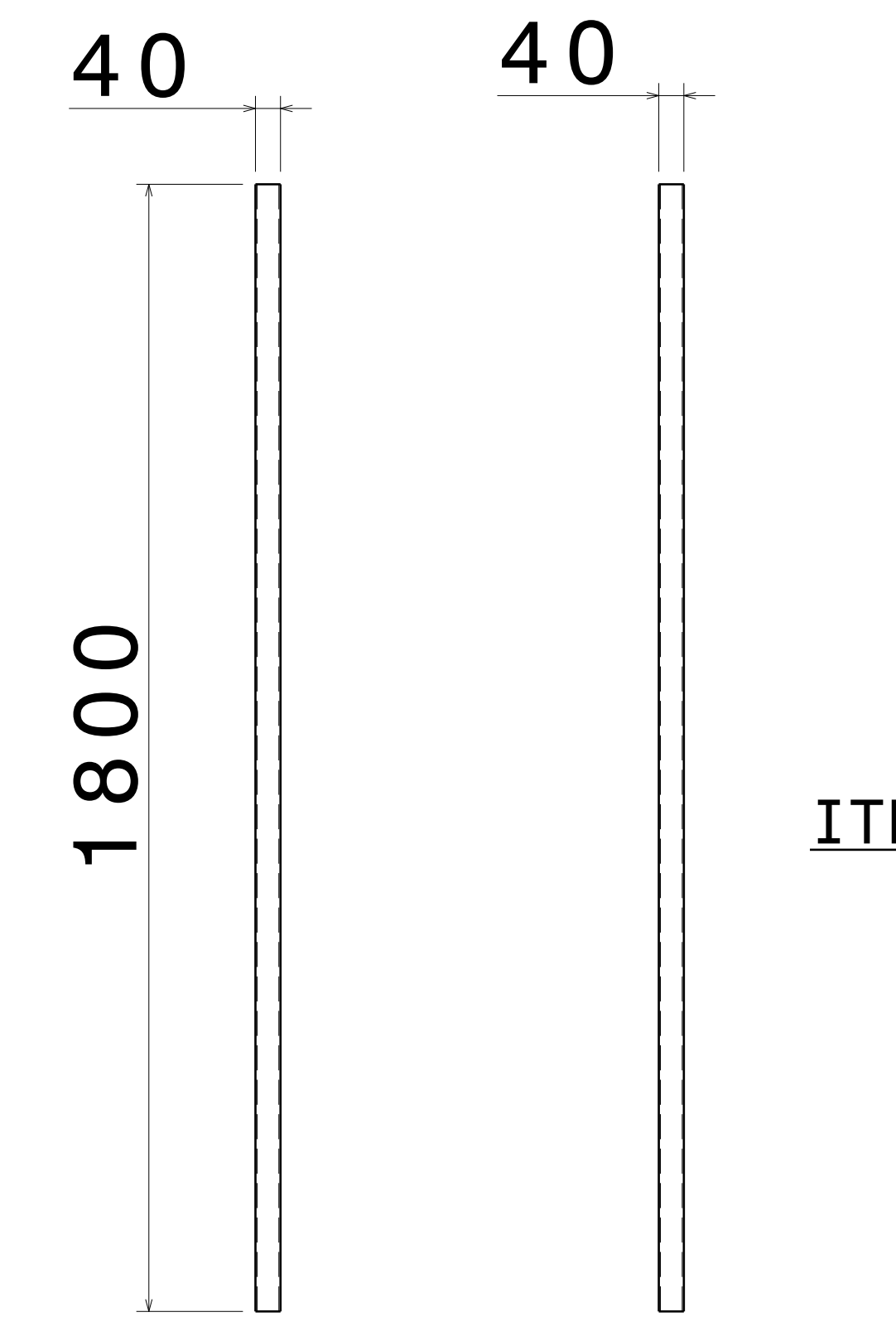
FRONT VIEW RIGHT VIEW  
SCALE: 1:10 SCALE: 1:10  
ITEM 13, SHS FRAME 3  
THICKNESS - 3.2MM



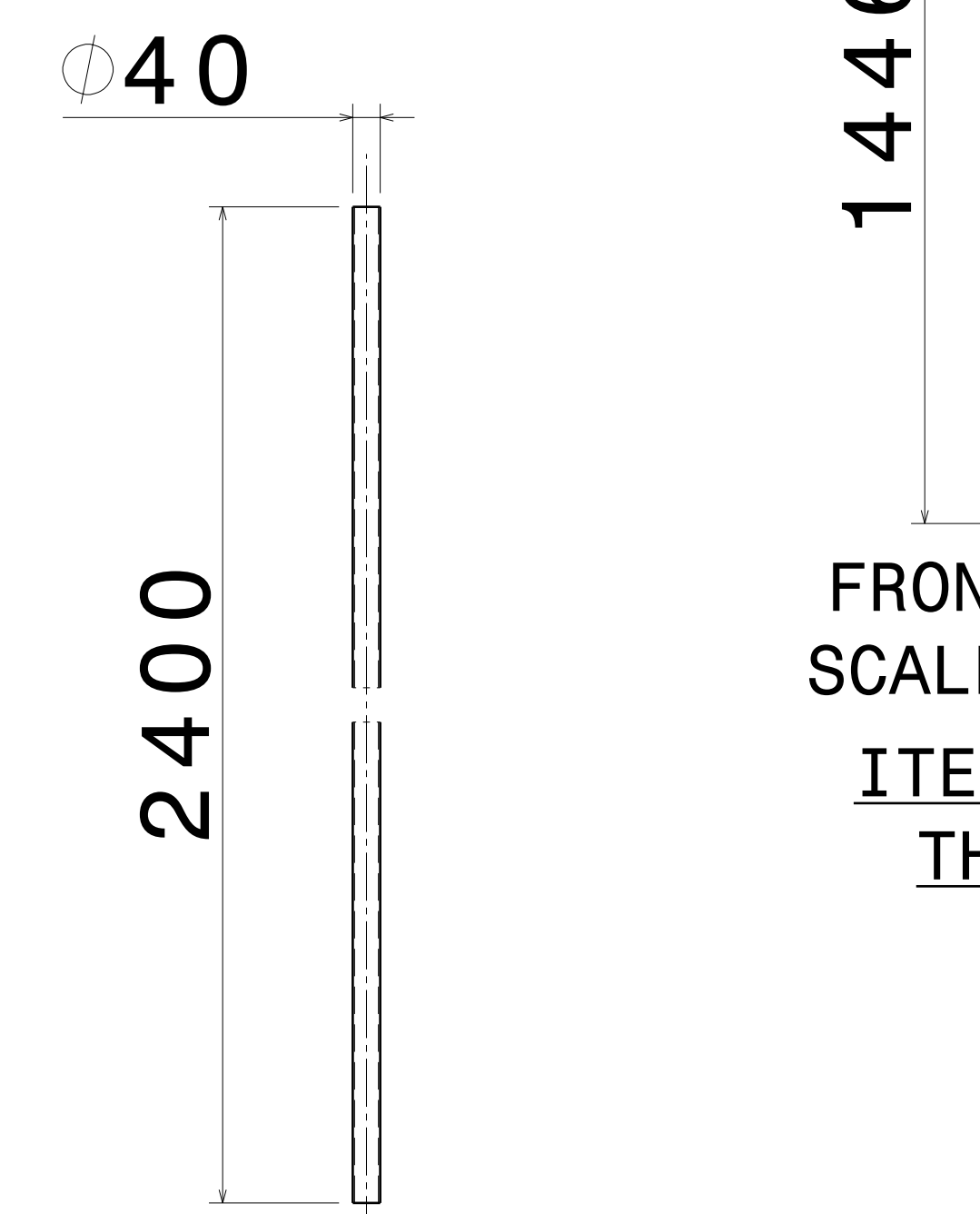
FRONT VIEW  
SCALE: 1:10  
ITEM 18, CIRCULAR FRAME 3  
THICKNESS - 1.6MM



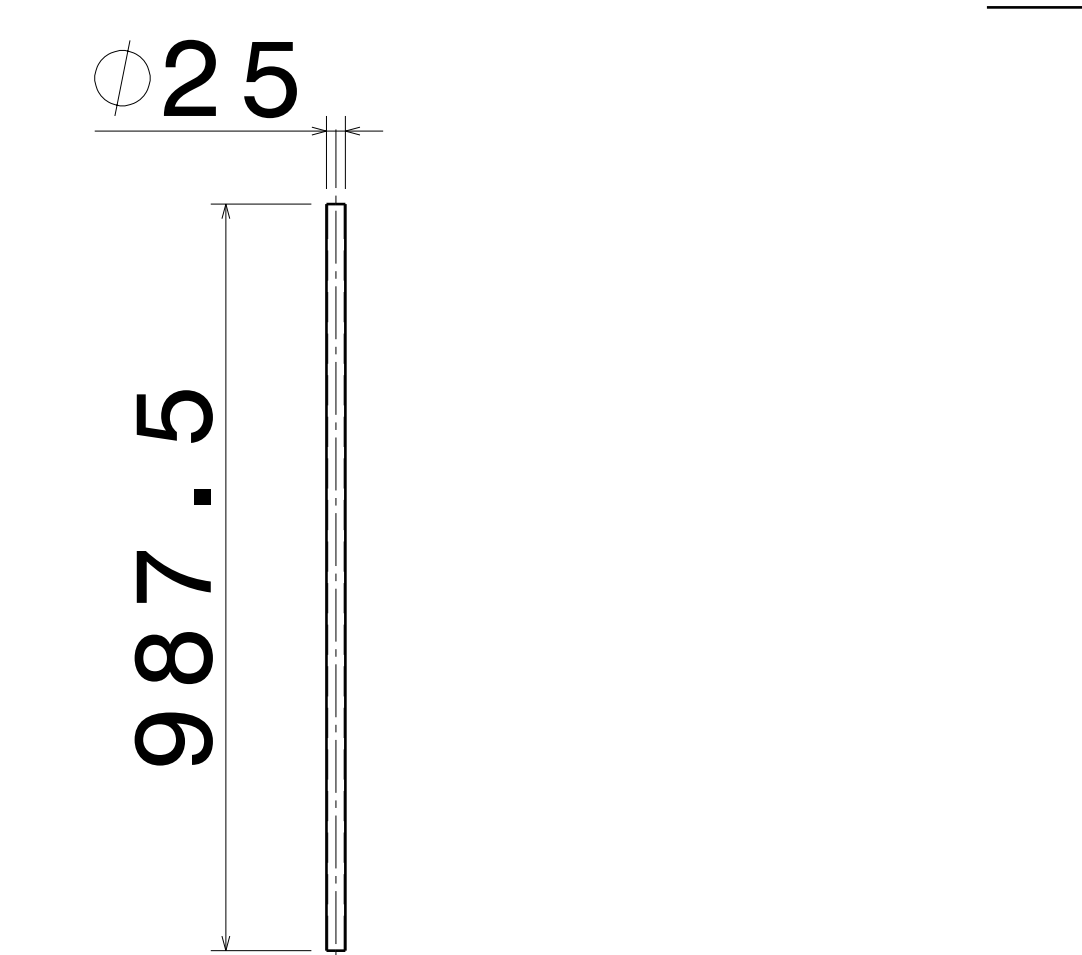
FRONT VIEW RIGHT VIEW  
SCALE: 1:10 SCALE: 1:10  
ITEM 14, RHS FRAME 8  
THICKNESS - 3.2MM



FRONT VIEW RIGHT VIEW  
SCALE: 1:10 SCALE: 1:10  
ITEM 15, SHS FRAME 4  
THICKNESS - 2.6MM



FRONT VIEW  
SCALE: 1:10  
ITEM 16, CIRCULAR FRAME 1  
THICKNESS - 2.6MM



FRONT VIEW  
SCALE: 1:10  
ITEM 17, CIRCULAR FRAME 2  
THICKNESS - 1.6MM

UNLESS OTHERWISE SPECIFIED DIMENSION ARE IN MM  
VIEWS: THIRD ANGLE PROJECTION

This drawing is our property. It can't be reproduced or communicated without our written agreement.

DRAWN BY	DATE
SB	09JAN2021
CHECKED BY	DATE
P2P Analysis & Solutions	09JAN2021
DESIGNED BY	DATE
P2P Analysis & Solutions	09JAN2021

APL APOLLO TUBES LTD.	
DRAWING TITLE	
JAN21-6	
SIZE	DRAWING NUMBER
A0	P2P JAN21-6
SCALE	NONE WEIGHT (kg) XXX
SHEET 3 OF 3	