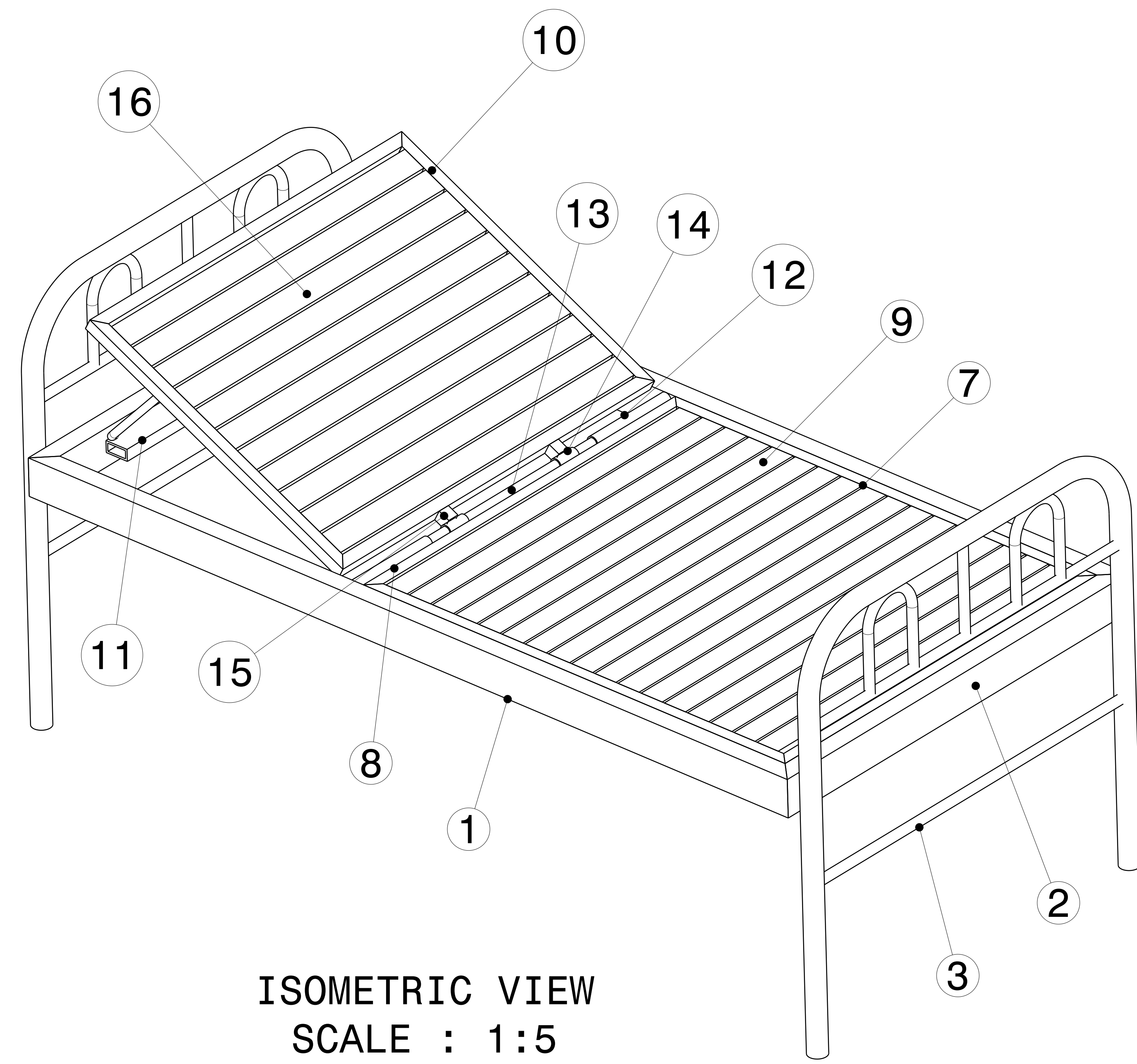


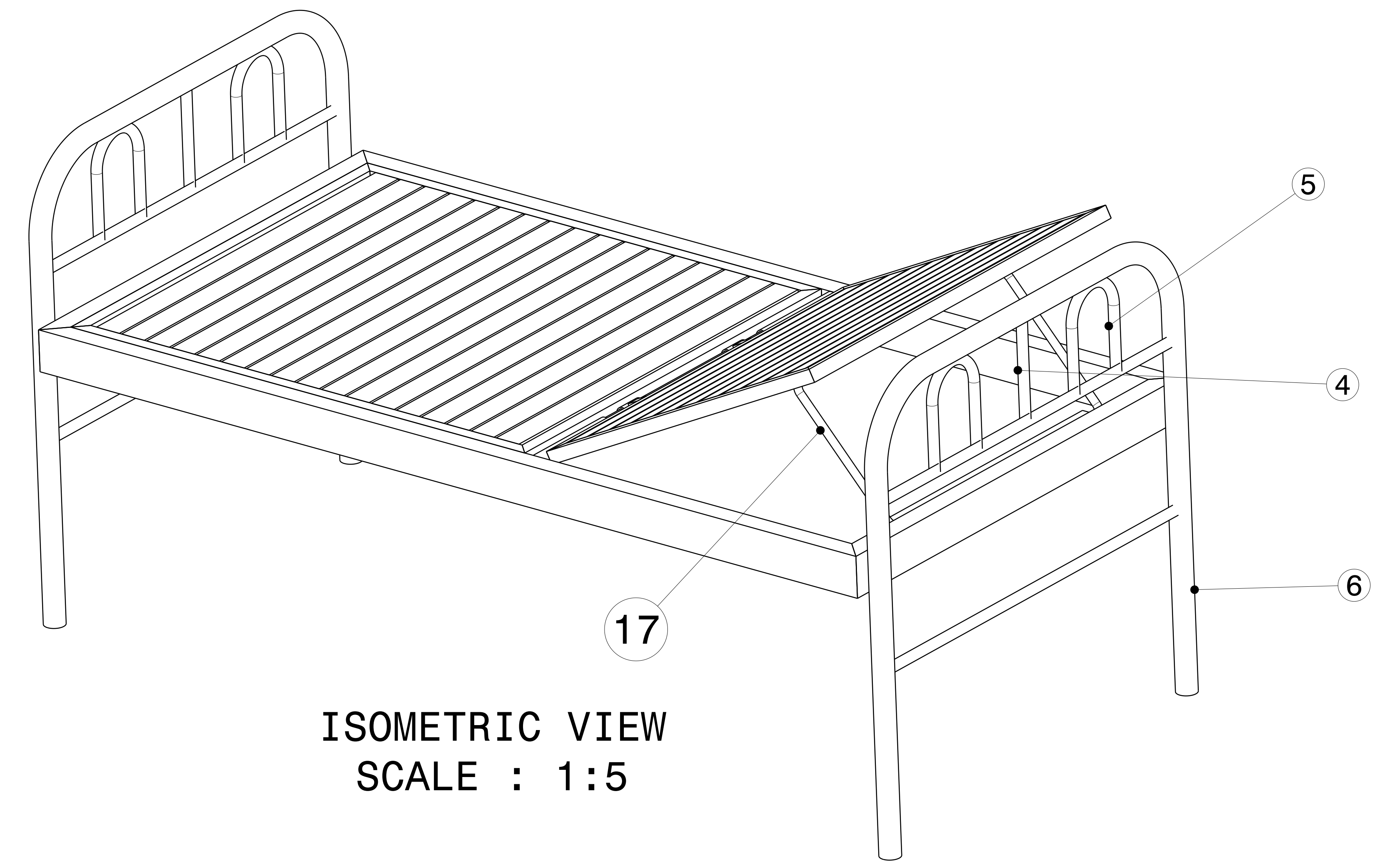
REV	DATE	DESCRIPTION
00	17JAN2021	INITIAL REVISION

NOTES:

- (⊥) ALL VERTICAL SUPPORTS ARE PERPENDICULAR.
- FLATNESS OF .5MM IS APPLIED BY DEFAULT.
- ⊲ WELD BEAD OF 2MM RADIUS IS FOLLOWED.
- ▽▽ SURFACE FINISH MEDIUM TO SMOOTH IS USED.
- ALL TUBES ARE AS PER APL APOLLO STANDARD. CHANGES MAY EFFECT THE LOAD CAPACITY.
- ALL HORIZONTAL AND VERTICAL TUBES ARE PERPENDICULAR TO EACH OTHER WITH ±1 DEG.
- FINE WELDING IS REQUIRED AS PER MENTIONED DETAILS AND FINISHING.
- HIGHER CURRENT WELDING MAY AFFECT THE BRITTLENESS OF MATERIAL WHICH LATER MAY RAISE TO WEAKENING OF STRUCTURE.
- FABRICATORS ARE ALLOWED TO USE FITTINGS/FRAMES/SUPPORTS AS NEEDED AND THE SAME MUST BE COMMUNICATED BACK TO ENGINEERING TEAM.
- BOP COMPONENT WEIGHTS ARE FOR REFERENCE ONLY AND SUBJECTED TO CHANGE PER PURCHASED COMPONENTS.



ISOMETRIC VIEW
SCALE : 1:5



ISOMETRIC VIEW
SCALE : 1:5

ITEM NO.	PART NUMBER	DESCRIPTION	QTY.	Wt (Kg) /Each
17	CIRCULAR ROD BOP	DIA 15 X 2.6 X 1782.12	1	1.42
16	CIRCULAR FRAME 7	DIA 20 X 2.6 X 200	1	0.22
15	SHS FRAME 4	25 X 25 X 4 X 25	1	0.07
14	CIRCULAR FRAME 6	DIA 25 X 2.6 X 50	2	0.7
13	CIRCULAR ROD BOP	DIA 18.8 X 750	1	1.64
12	CIRCULAR FRAME 5	DIA 25 X 2.6 X 200	2	0.29
11	RHS FRAME 4	50 X 25 X 4 X 600	1	2.53
10	SHS FRAME 3	25 X 25 X 3.2 X 662.5	2	1.17
9	RHS FRAME 3	50 X 25 X 2.6 X 800	28	1.79
8	SHS FRAME 2	25 X 25 X 3.2 X 850	4	1.81
7	SHS FRAME 1	25 X 25 X 3.2 X 1000	2	2.14
6	CIRCULAR FRAME 4	DIA 40 X 3.2 X 730	2	7.22
5	CIRCULAR FRAME 3	DIA 20 X 2.6 X 188.5	4	0.5
4	CIRCULAR FRAME 2	DIA 20 X 2.6 X 190	2	0.21
3	CIRCULAR FRAME 1	DIA 20 X 2.6 X 925	4	0.92
2	RHS FRAME 2	80 X 40 X 3.2 X 930	2	5.09
1	RHS FRAME 1	80 X 40 X 3.2 X 1800	2	10.06

This drawing is our property. It can't be reproduced or communicated without our written agreement.

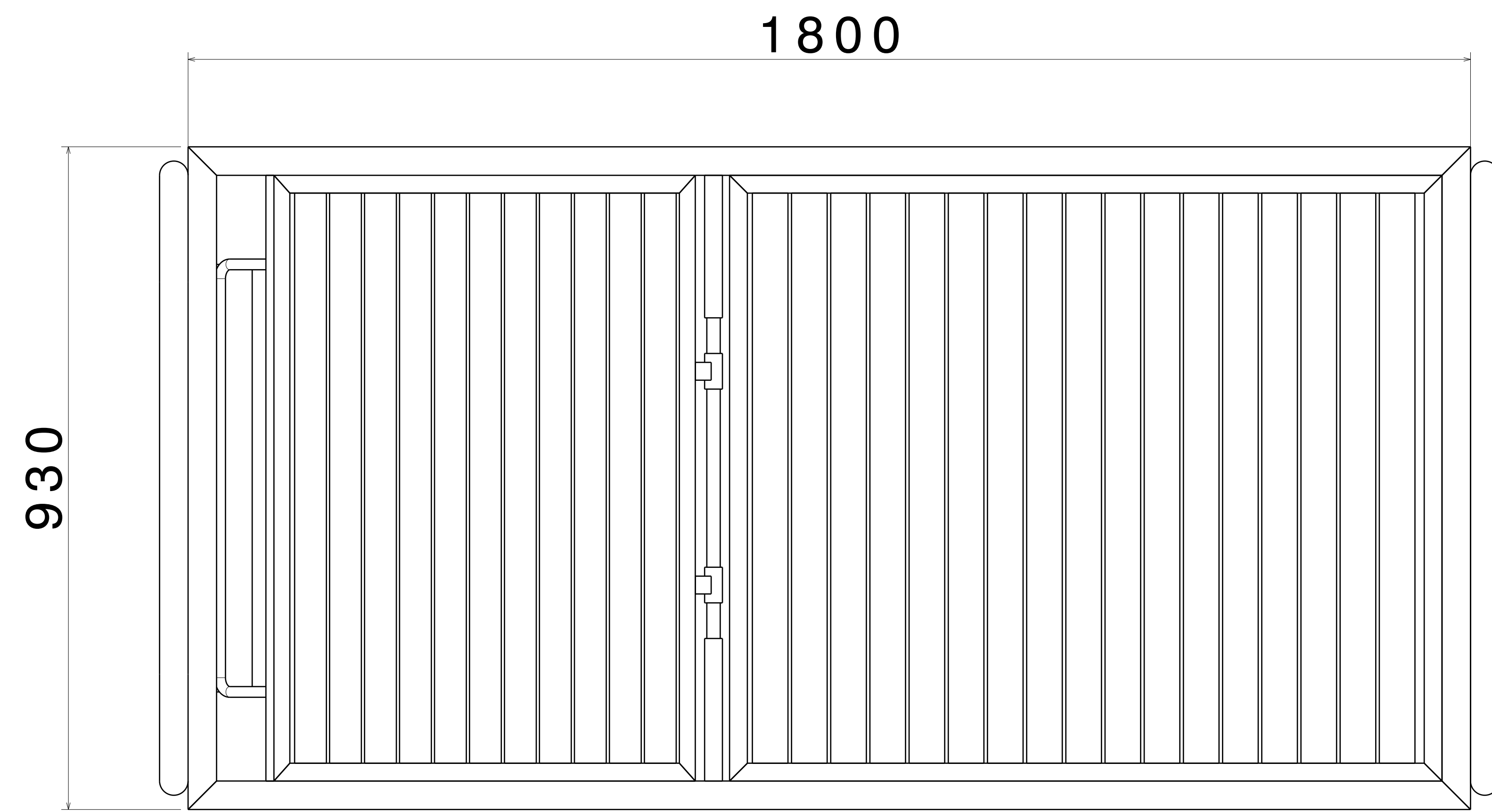
APL APOLLO TUBES LTD.

DRAWING TITLE: **JAN 21-9**

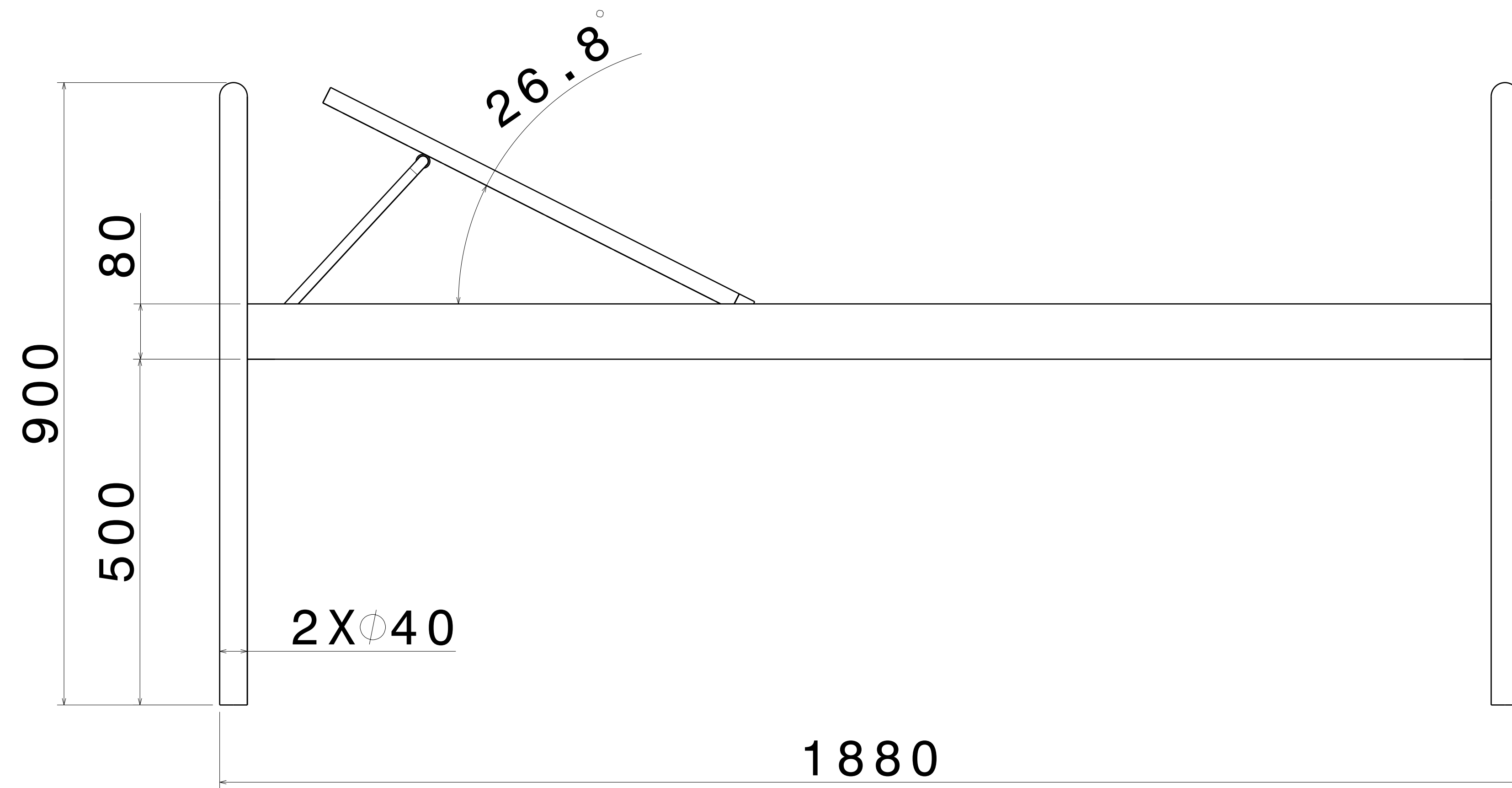
DRAWN BY: VM	DATE: 17JAN2021	SIZE: A0	DRAWING NUMBER: P2P JAN 21-9	REV: 00
CHECKED BY: P2P Analysis & Solutions	DATE: 17JAN2021	SCALE: As Indicated	WEIGHT(kg): 0kg	SHEET 1 OF 3
DESIGNED BY: P2P Analysis & Solutions	DATE: 17JAN2021			

UNLESS OTHERWISE SPECIFIED DIMENSION ARE IN MM
VIEWS: THIRD ANGLE PROJECTION

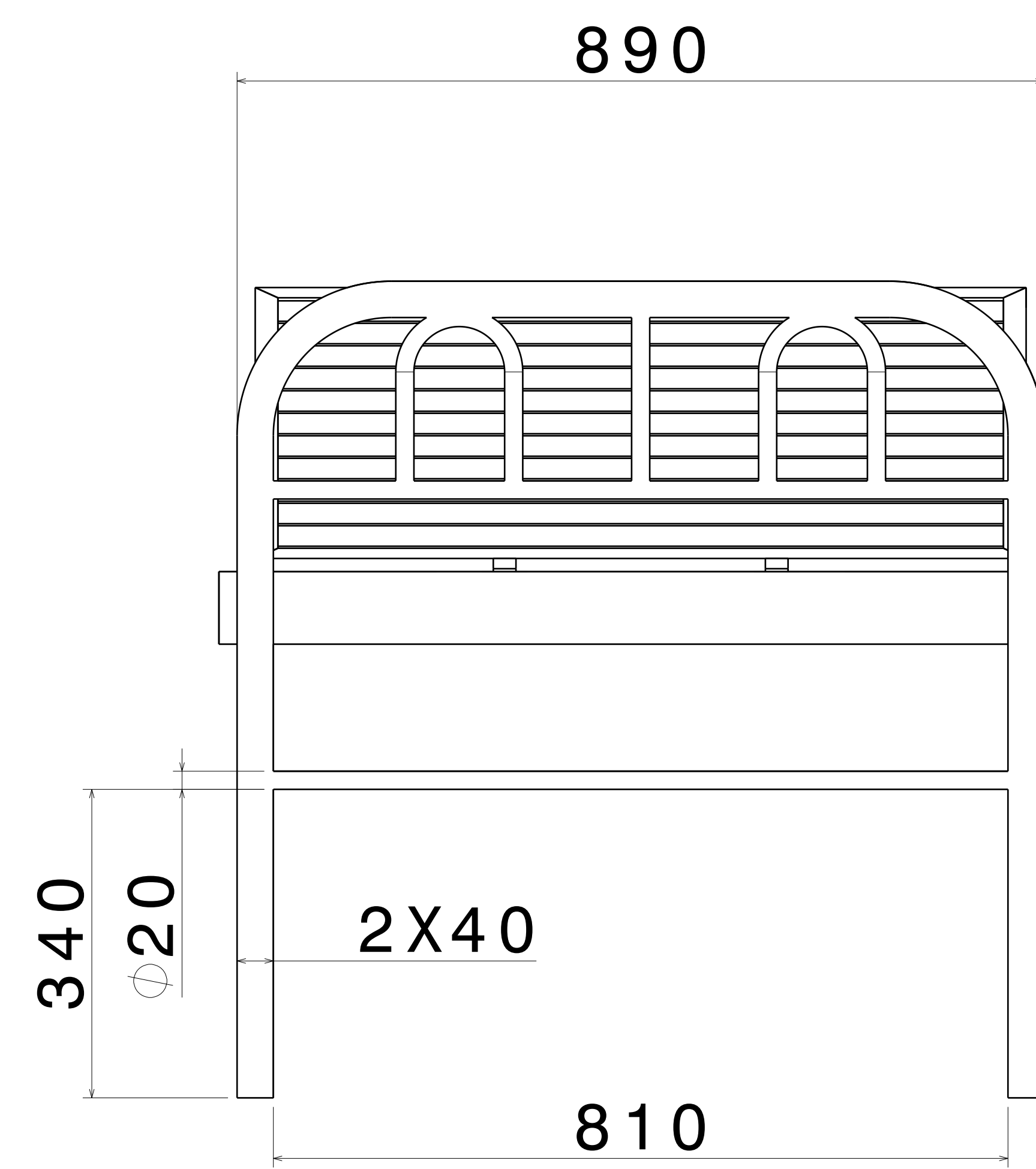
REV	DATE	DESCRIPTION
00	17JAN2021	INITIAL REVISION



TOP VIEW
SCALE: 1:5



FRONT VIEW
SCALE: 1:5

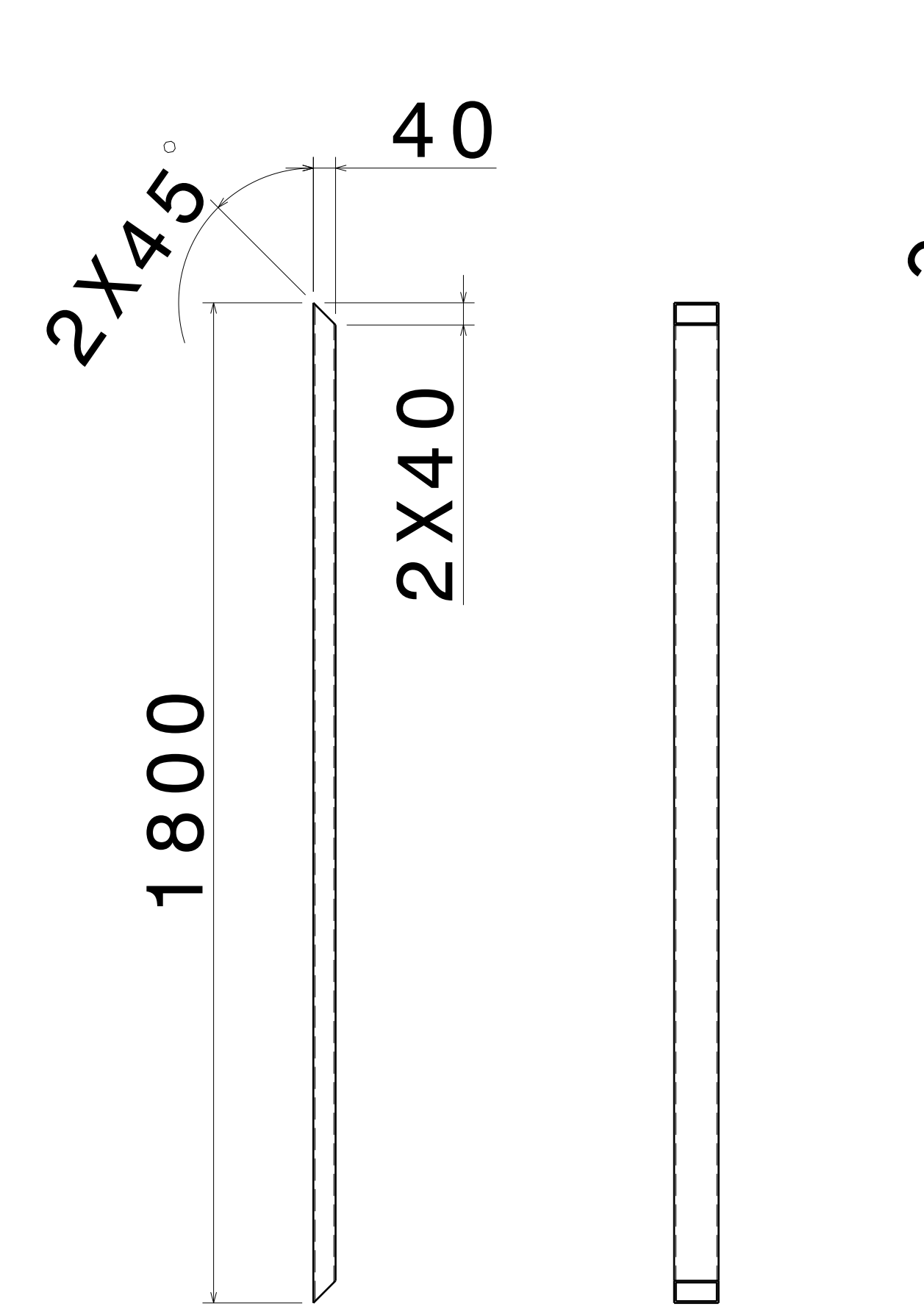


RIGHT VIEW
SCALE: 1:5

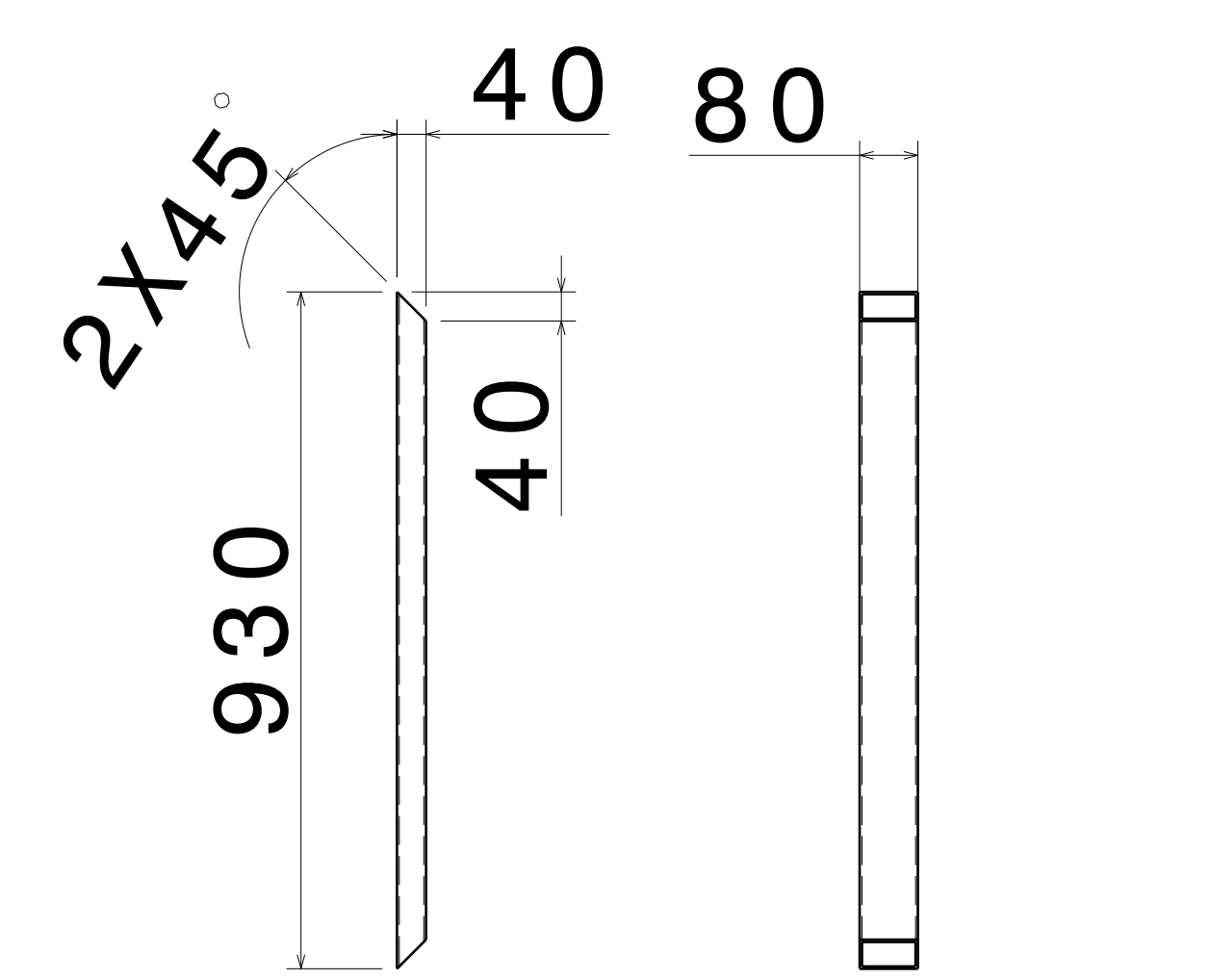
UNLESS OTHERWISE SPECIFIED DIMENSION ARE IN MM
VIEWS: THIRD ANGLE PROJECTION

This drawing is our property. It can't be reproduced or communicated without our written agreement.		APL APOLLO TUBES LTD.	
DRAWN BY SB		DATE 17JAN2021	
CHECKED BY P2P Analysis & Solutions		DATE 17JAN2021	
DESIGNED BY P2P Analysis & Solutions		DATE 17JAN2021	
DRAWING TITLE JAN 21-9		SIZE A0	DRAWING NUMBER P2P JAN 21-9
SCALE NONE		WEIGHT (kg) XXX	REV 00
			SHEET 2 OF 3

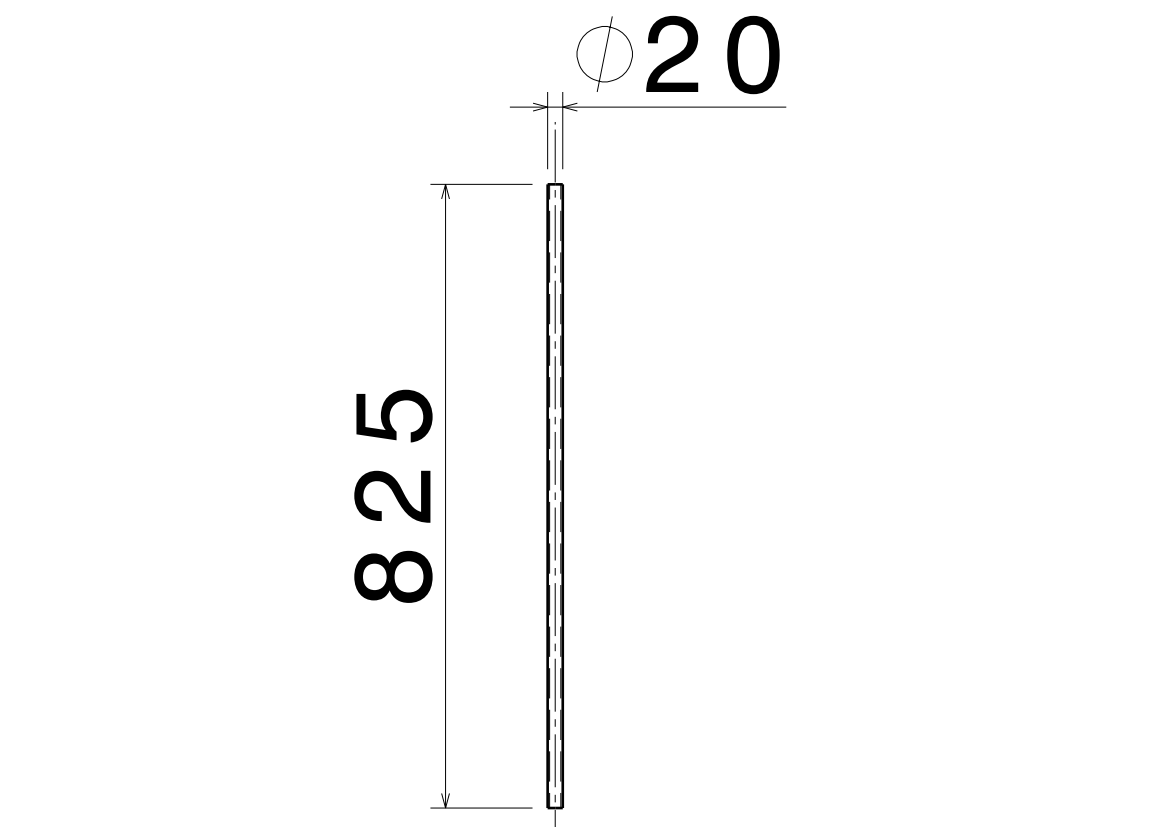
REV	DATE	DESCRIPTION
00	17JAN2021	INITIAL REVISION



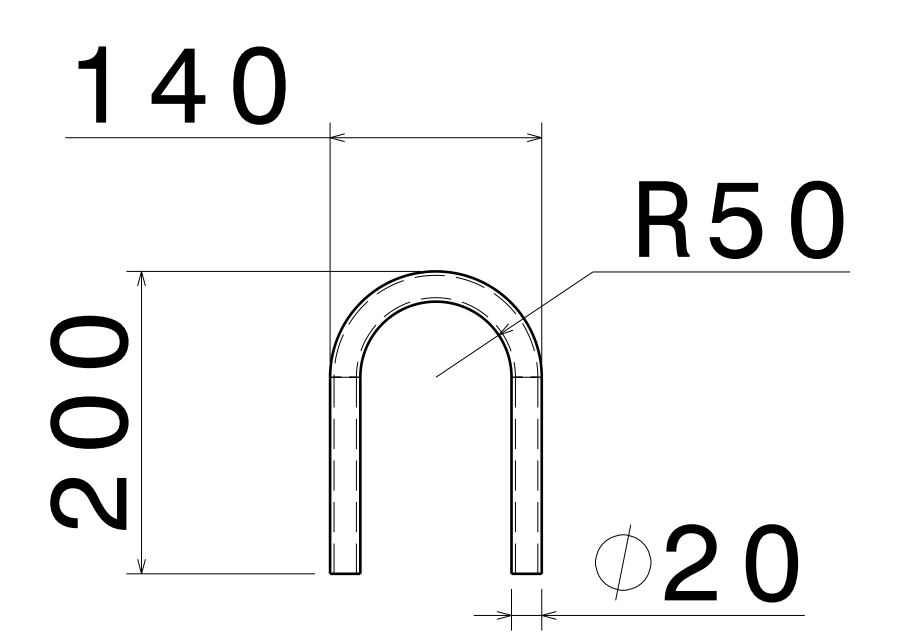
FRONT VIEW RIGHT VIEW
SCALE: 1:10 SCALE: 1:10
ITEM 1, RHS FRAME 1
THICKNESS - 3.2MM



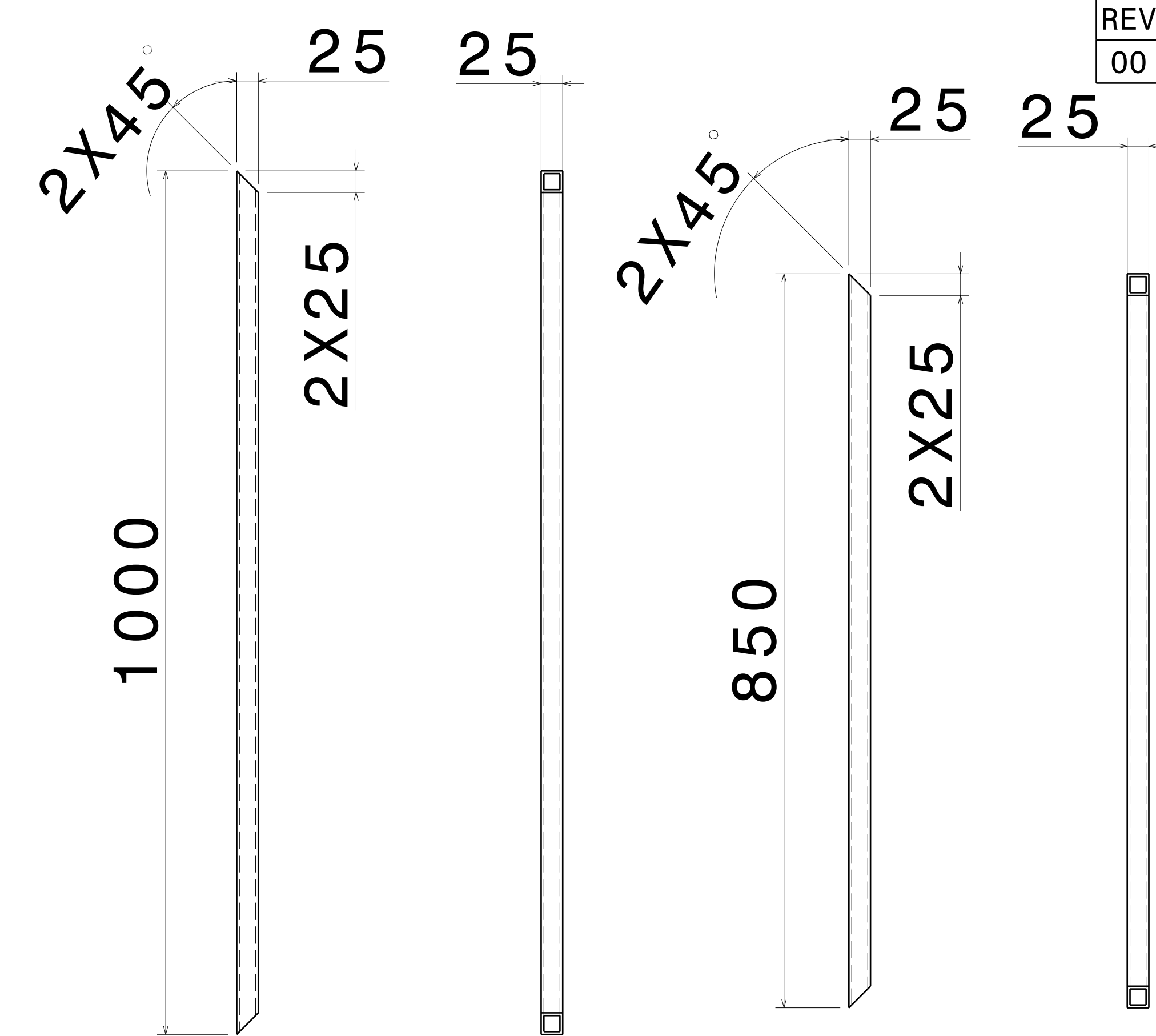
FRONT VIEW RIGHT VIEW
SCALE: 1:10 SCALE: 1:10
ITEM 2, RHS FRAME 2
THICKNESS - 3.2MM



FRONT VIEW
SCALE: 1:10
ITEM 3, CIRCULAR FRAME 1
THICKNESS - 2.6MM

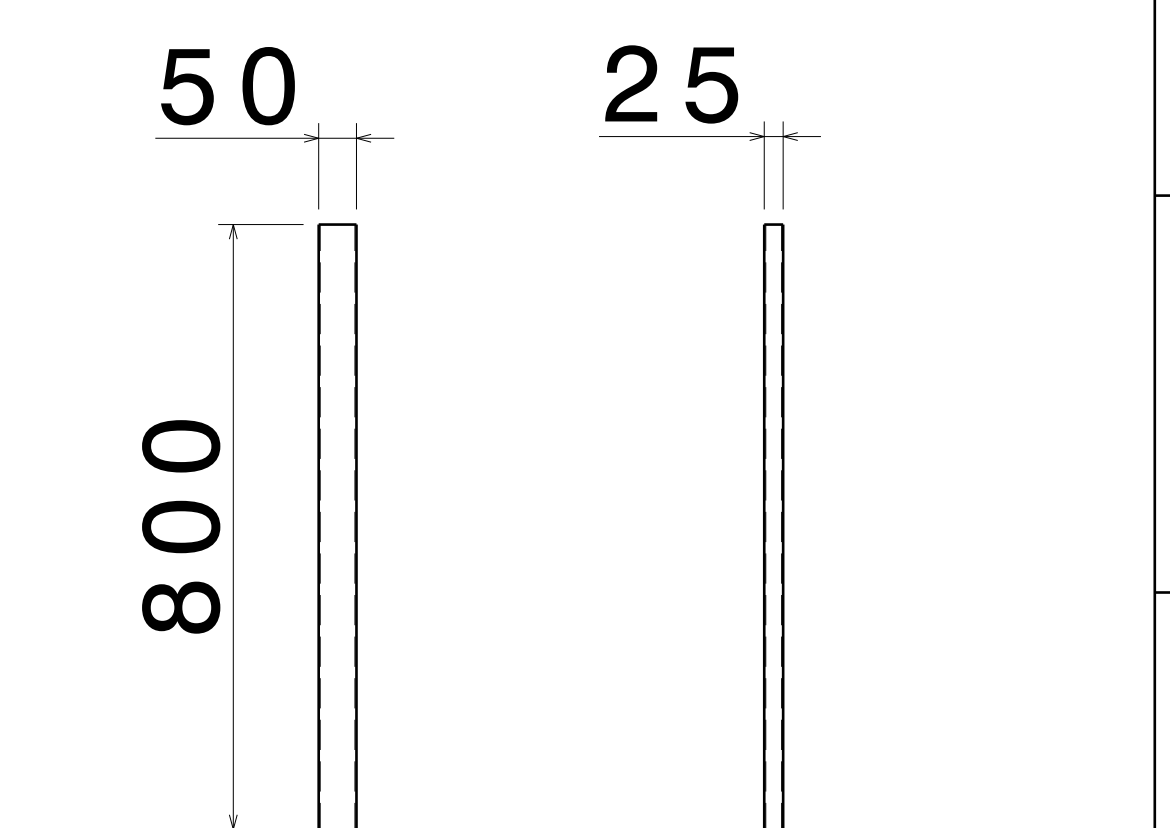


FRONT VIEW
SCALE: 1:5
ITEM 5, CIRCULAR FRAME 3
THICKNESS - 2.6MM

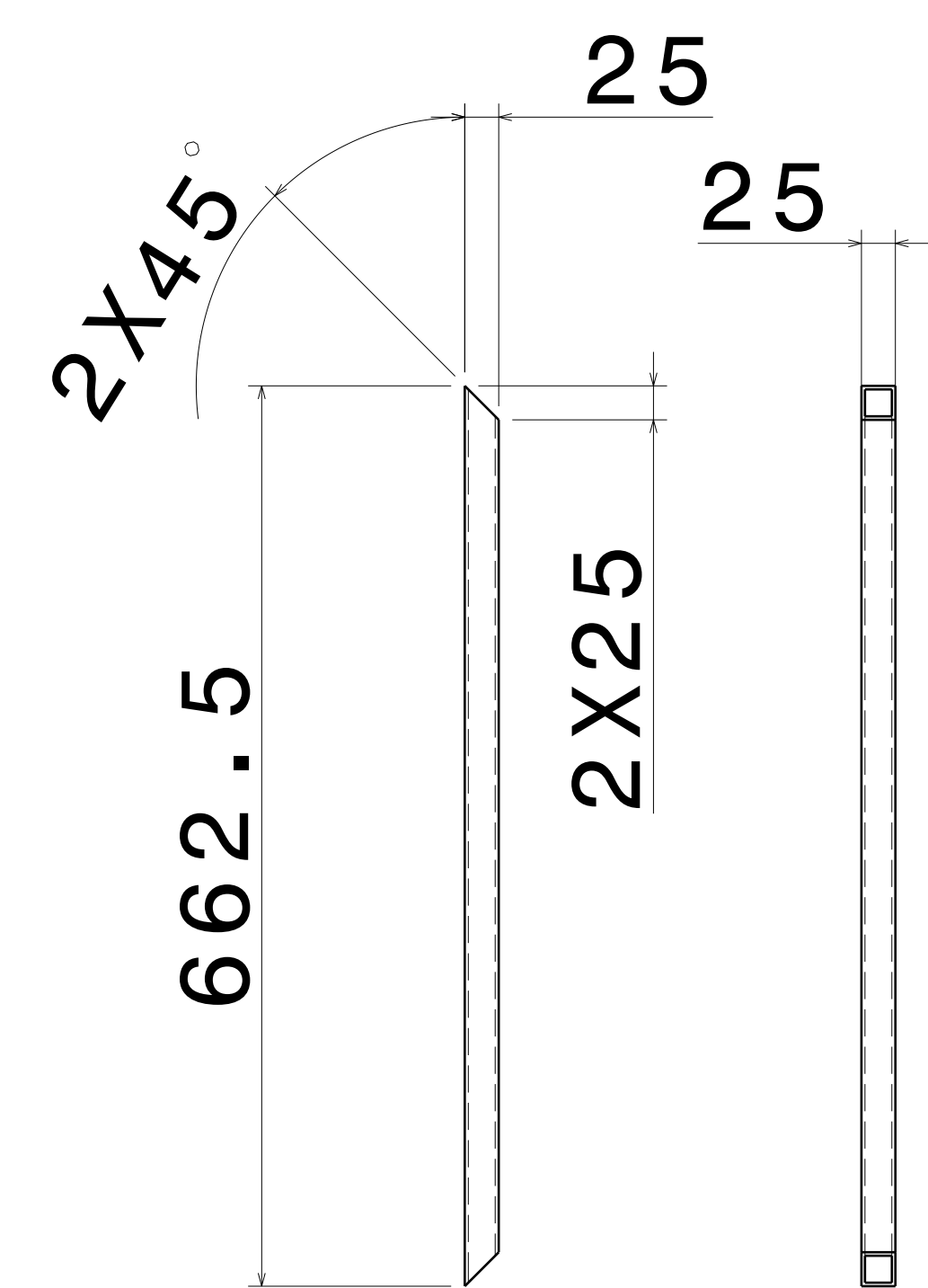


FRONT VIEW RIGHT VIEW
SCALE: 1:5 SCALE: 1:5
ITEM 7, SHS FRAME 1
THICKNESS - 3.2MM

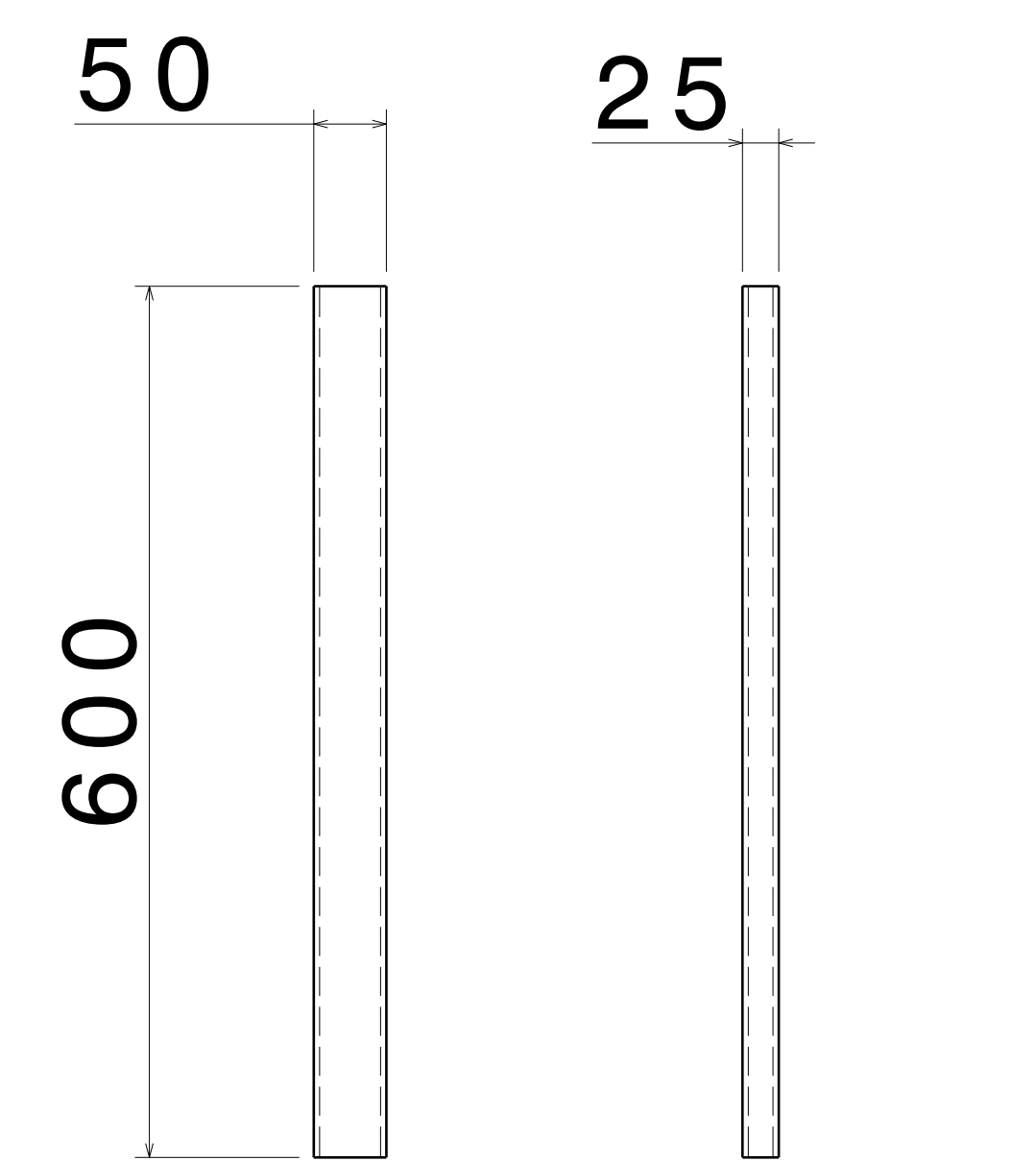
FRONT VIEW RIGHT VIEW
SCALE: 1:5 SCALE: 1:5
ITEM 8, SHS FRAME 2
THICKNESS - 3.2MM



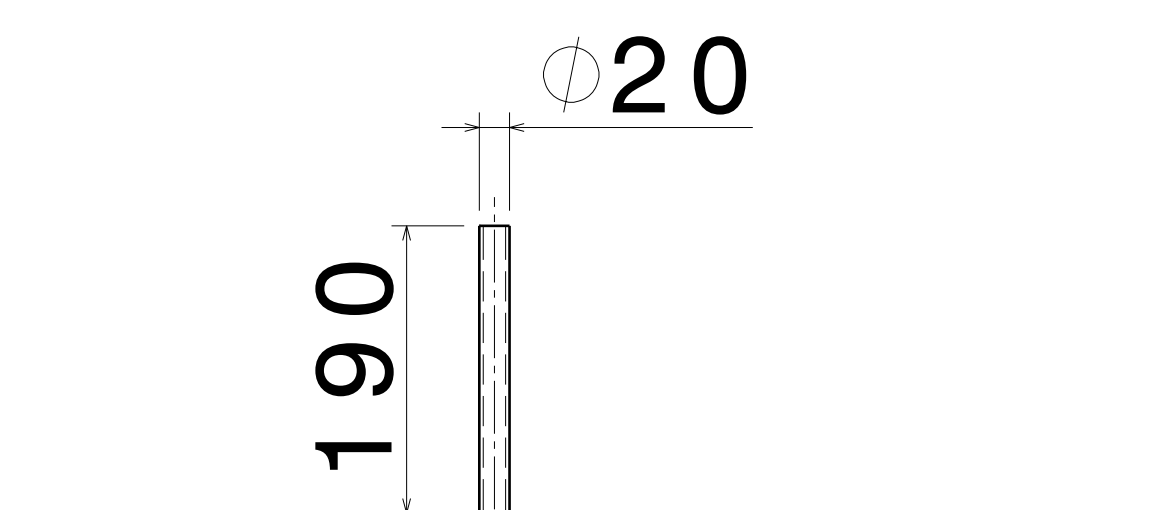
FRONT VIEW RIGHT VIEW
SCALE: 1:10 SCALE: 1:10
ITEM 9, RHS FRAME 3
THICKNESS - 2.0MM



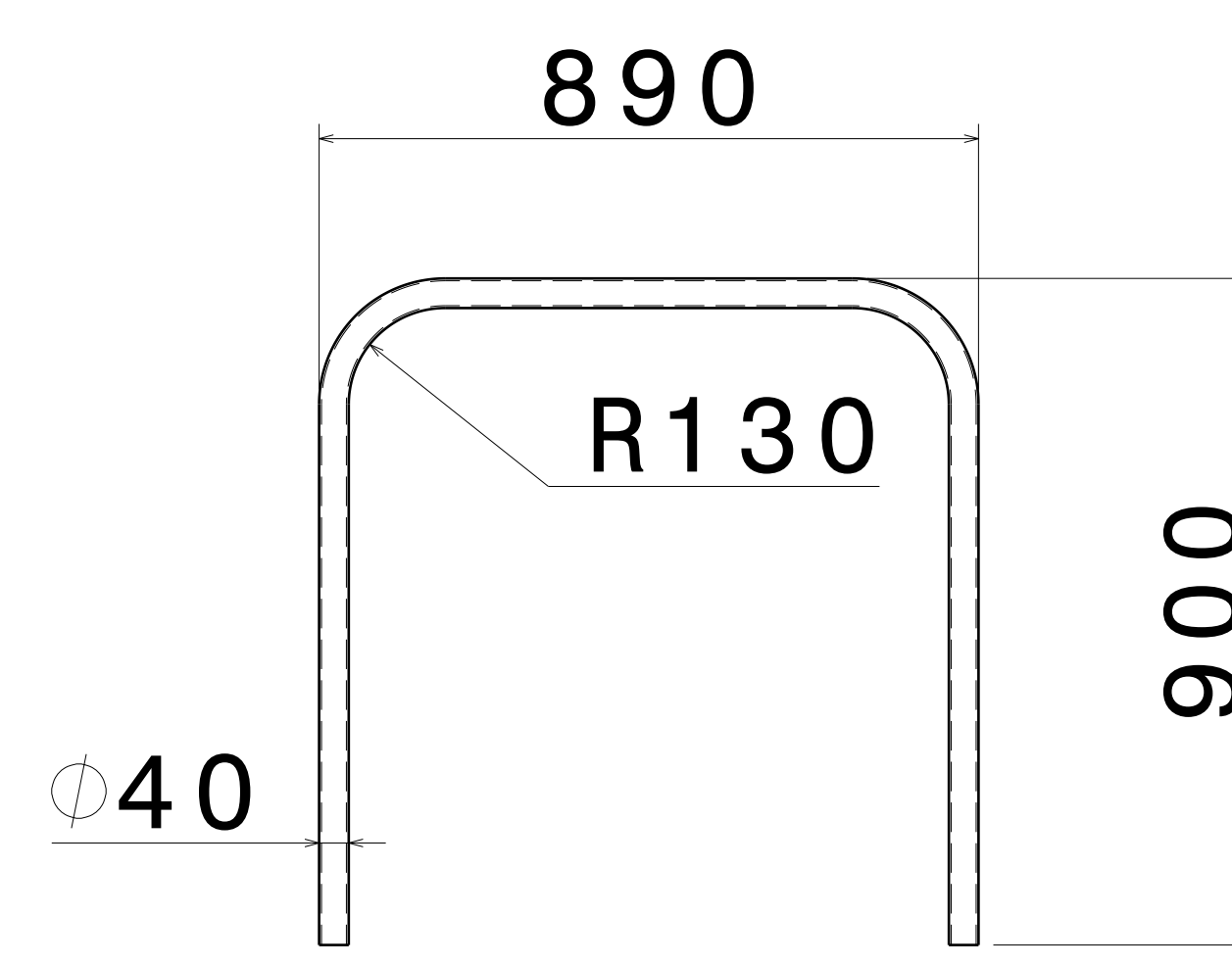
FRONT VIEW RIGHT VIEW
SCALE: 1:5 SCALE: 1:5
ITEM 10, SHS FRAME 3
THICKNESS - 3.2MM



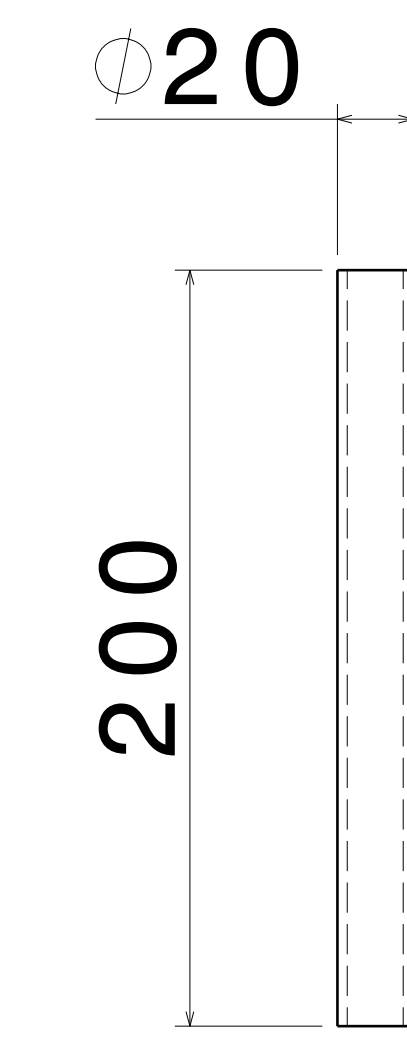
FRONT VIEW RIGHT VIEW
SCALE: 1:5 SCALE: 1:5
ITEM 11, RHS FRAME 4
THICKNESS - 4.0MM



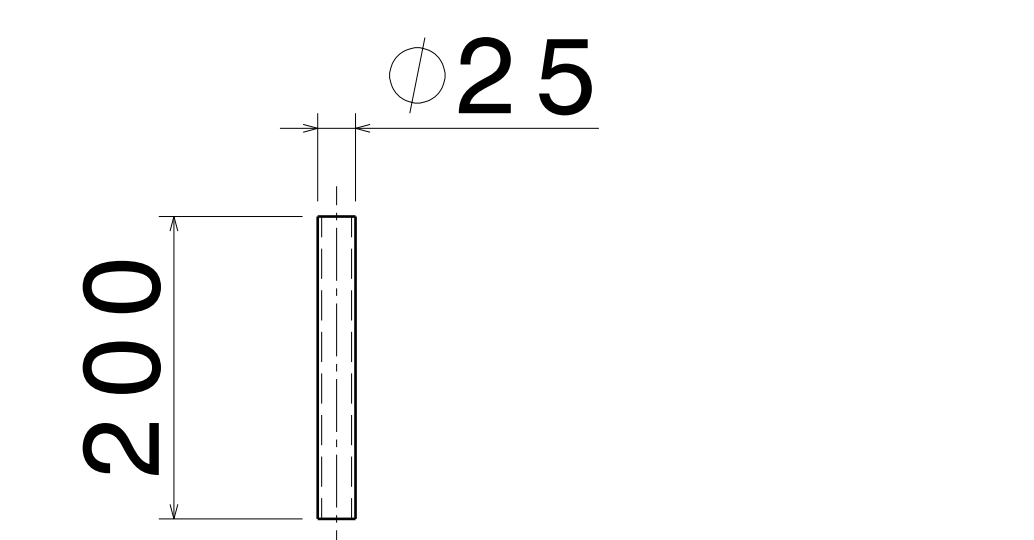
FRONT VIEW
SCALE: 1:5
ITEM 4, CIRCULAR FRAME 2
THICKNESS - 2.6MM



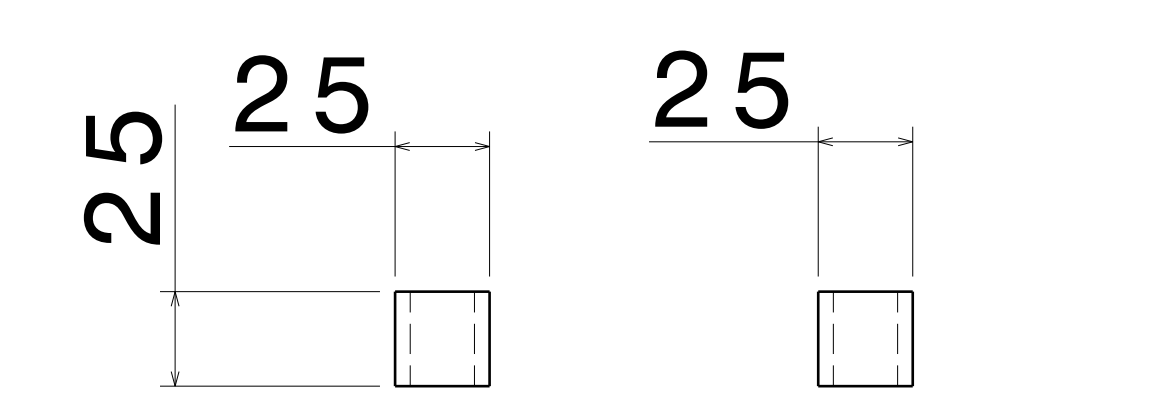
FRONT VIEW
SCALE: 1:10
ITEM 6, CIRCULAR FRAME 4
THICKNESS - 3.2MM



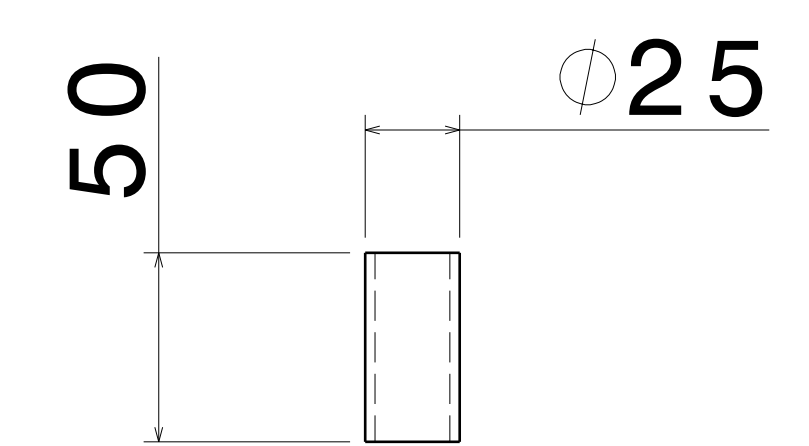
FRONT VIEW
SCALE: 1:2
ITEM 15, CIRCULAR FRAME 7
THICKNESS - 2.6MM



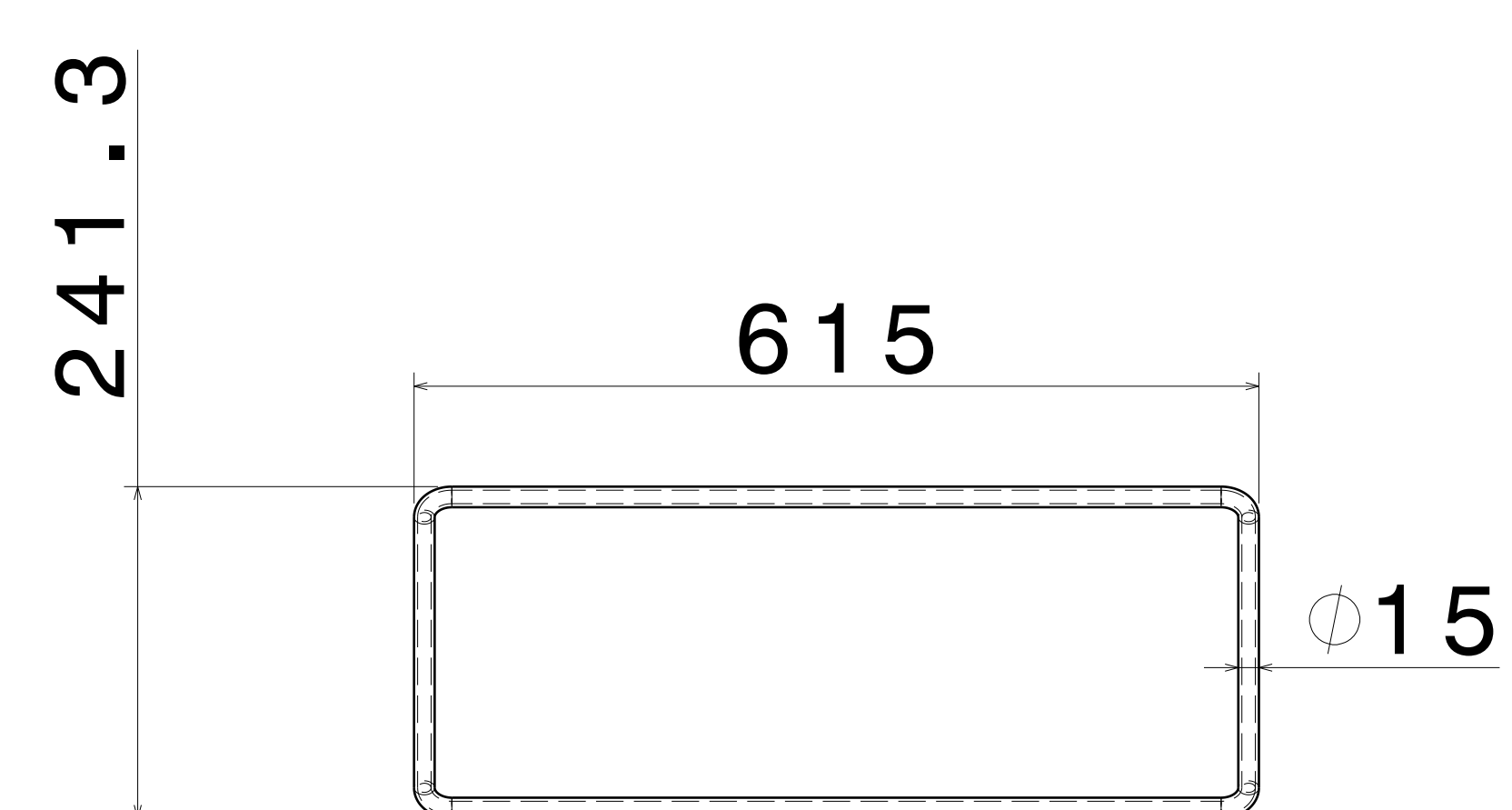
FRONT VIEW
SCALE: 1:5
ITEM 12, CIRCULAR FRAME 5
THICKNESS - 2.6MM



FRONT VIEW RIGHT VIEW
SCALE: 1:2 SCALE: 1:2
ITEM 14, SHS FRAME 4
THICKNESS - 4.0MM



FRONT VIEW
SCALE: 1:2
ITEM 13, CIRCULAR FRAME 6
THICKNESS - 2.6MM



FRONT VIEW
SCALE: 1:5
ITEM 16, CIRCULAR FRAME 8
THICKNESS - 2.6MM

UNLESS OTHERWISE SPECIFIED DIMENSION ARE IN MM
VIEWS: THIRD ANGLE PROJECTION

This drawing is our property. It can't be reproduced or communicated without our written agreement.		APL APOLLO TUBES LTD.	
DRAWN BY: SB		DATE: 17JAN2021	
CHECKED BY: P2P Analysis & Solutions		DATE: 17JAN2021	
DESIGNED BY: P2P Analysis & Solutions		DATE: 17JAN2021	
SIZE: A0	DRAWING NUMBER: P2P JAN 21-9	REV: 00	
SCALE: NONE	WEIGHT (kg): XXX	SHEET 3 OF 3	