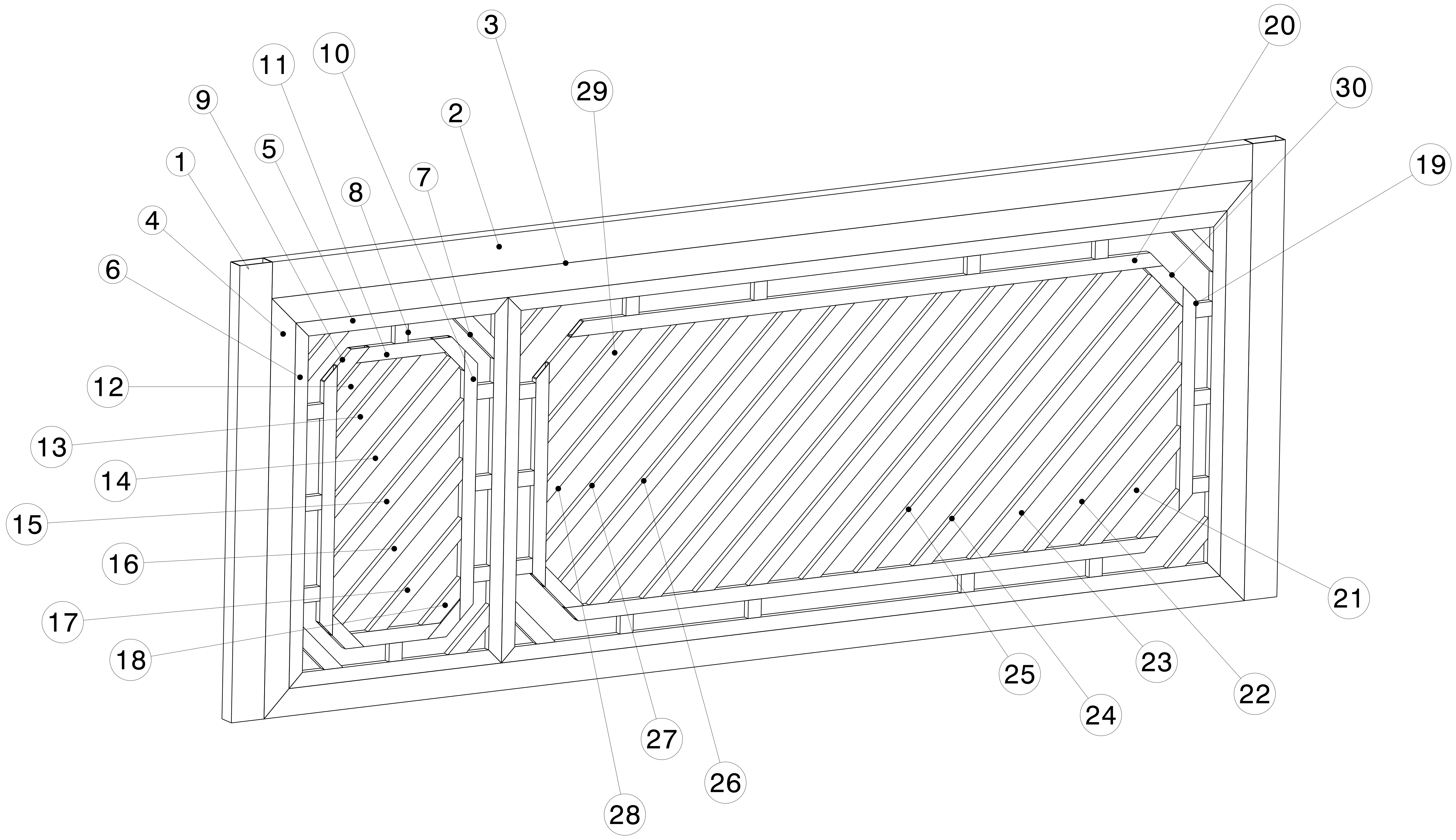


REV	DATE	DESCRIPTION
00	27MARCH2021	INITIAL REVISION

- NOTES:
- (⊥) ALL VERTICAL SUPPORTS ARE PERPENDICULAR.
 - FLATNESS OF .5MM IS APPLIED BY DEFAULT.
 - ⊥ WELD BEAD OF 2MM RADIUS IS FOLLOWED.
 - ▽ SURFACE FINISH MEDIUM TO SMOOTH IS USED.
 - ALL TUBES ARE AS PER APL APOLLO STANDARD. CHANGES MAY EFFECT THE LOAD CAPACITY.
 - ALL HORIZONTAL AND VERTICAL TUBES ARE PERPENDICULAR TO EACH OTHER WITH ±1 DEG.
 - FINE WELDING IS REQUIRED AS PER MENTIONED DETAILS AND FINISHING.
 - HIGHER CURRENT WELDING MAY AFFECT THE BRITTLENESS OF MATERIAL WHICH LATER MAY RAISE TO WEAKENING OF STRUCTURE.
 - FABRICATORS ARE ALLOWED TO USE FITTINGS/FRAMES/SUPPORTS AS NEEDED AND THE SAME MUST BE COMMUNICATED BACK TO ENGINEERING TEAM.
 - BOP COMPONENT WEIGHTS ARE FOR REFERENCE ONLY AND SUBJECTED TO CHANGE PER PURCHASED COMPONENTS.



ISOMETRIC VIEW
SCALE : 1:10

ITEM NO.	PART NUMBER	DESCRIPTION	QTY.	Wt (Kg) /Each
30	RHS FRAME 30	80 X 40 X 4 X 339.41	4	1.83
29	RHS FRAME 29	80 X 40 X 4 X 799.41	1	5.07
28	RHS FRAME 28	80 X 40 X 4 X 1259.41	1	8.31
27	RHS FRAME 27	80 X 40 X 4 X 1719.41	1	11.55
26	RHS FRAME 26	80 X 40 X 4 X 1966.52	1	13.57
25	RHS FRAME 25	80 X 40 X 4 X 2173	6	14.74
24	RHS FRAME 24	80 X 40 X 4 X 2047.2	1	14.14
23	RHS FRAME 23	80 X 40 X 4 X 1749.41	1	11.76
22	RHS FRAME 22	80 X 40 X 4 X 1259.41	1	8.31
21	RHS FRAME 21	80 X 40 X 4 X 799.41	1	5.07
20	RHS FRAME 20	80 X 40 X 4 X 3626.27	2	24.97
19	RHS FRAME 19	80 X 40 X 4 X 1226.27	2	8.08
18	RHS FRAME 18	80 X 40 X 4 X 333.04	1	1.78
17	RHS FRAME 17	80 X 40 X 4 X 793.04	1	5.02
16	RHS FRAME 16	80 X 40 X 4 X 1096.74	1	7.44
15	RHS FRAME 15	80 X 40 X 4 X 1183.1	1	7.77
14	RHS FRAME 14	80 X 40 X 4 X 1061.77	1	7.2
13	RHS FRAME 13	80 X 40 X 4 X 723.09	1	4.53
12	RHS FRAME 12	80 X 40 X 4 X 363.1	1	2.0
11	RHS FRAME 11	80 X 40 X 4 X 550	2	3.31
10	RHS FRAME 10	80 X 40 X 4 X 1476.27	2	9.83
9	RHS FRAME 9	80 X 40 X 4 X 275.77	4	1.38
8	RHS FRAME 8	80 X 40 X 4 X 100	22	0.7
7	RHS FRAME 7	80 X 40 X 4 X 351.75	8	1.91
6	RHS FRAME 6	80 X 40 X 4 X 2000	4	13.52
5	RHS FRAME 5	80 X 40 X 4 X 1300	2	8.59
4	RHS FRAME 4	150 X 100 X 5 X 2300	2	40.56
3	RHS FRAME 3	150 X 100 X 5 X 6000	2	110.35
2	RHS FRAME 2	200 X 100 X 5 X 6000	1	136.76
1	RHS FRAME 1	200 X 100 X 5 X 2500	2	57

This drawing is our property. It can't be reproduced or communicated without our written agreement.

APL APOLLO TUBES LTD.

DRAWING TITLE: GATE 1

CHECKED BY: VM, DATE: 27MARCH2021

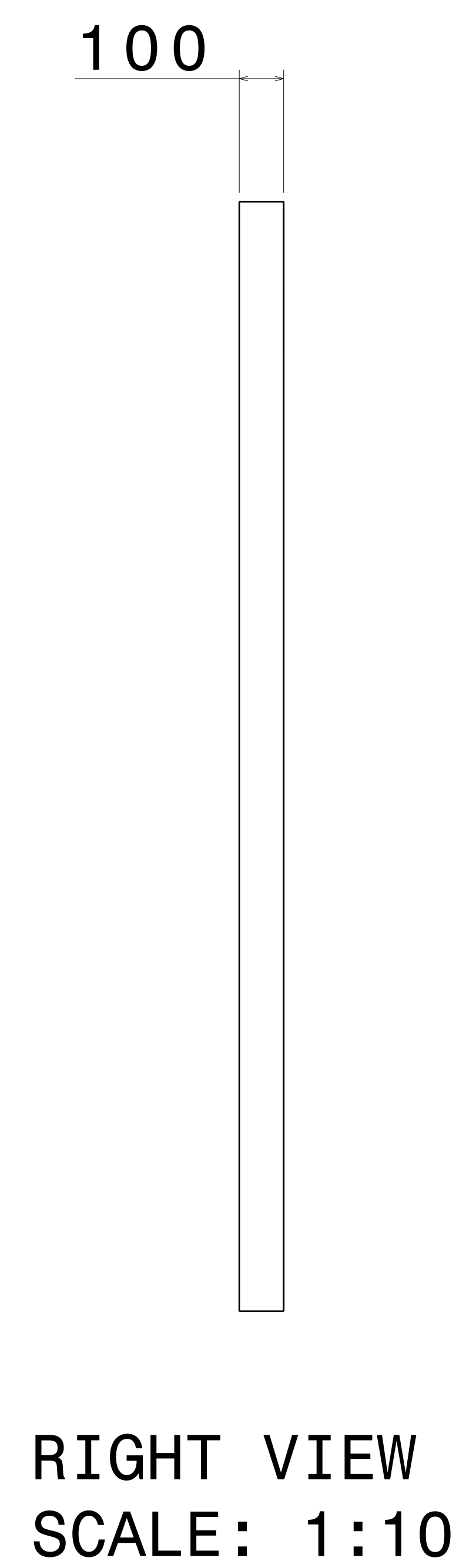
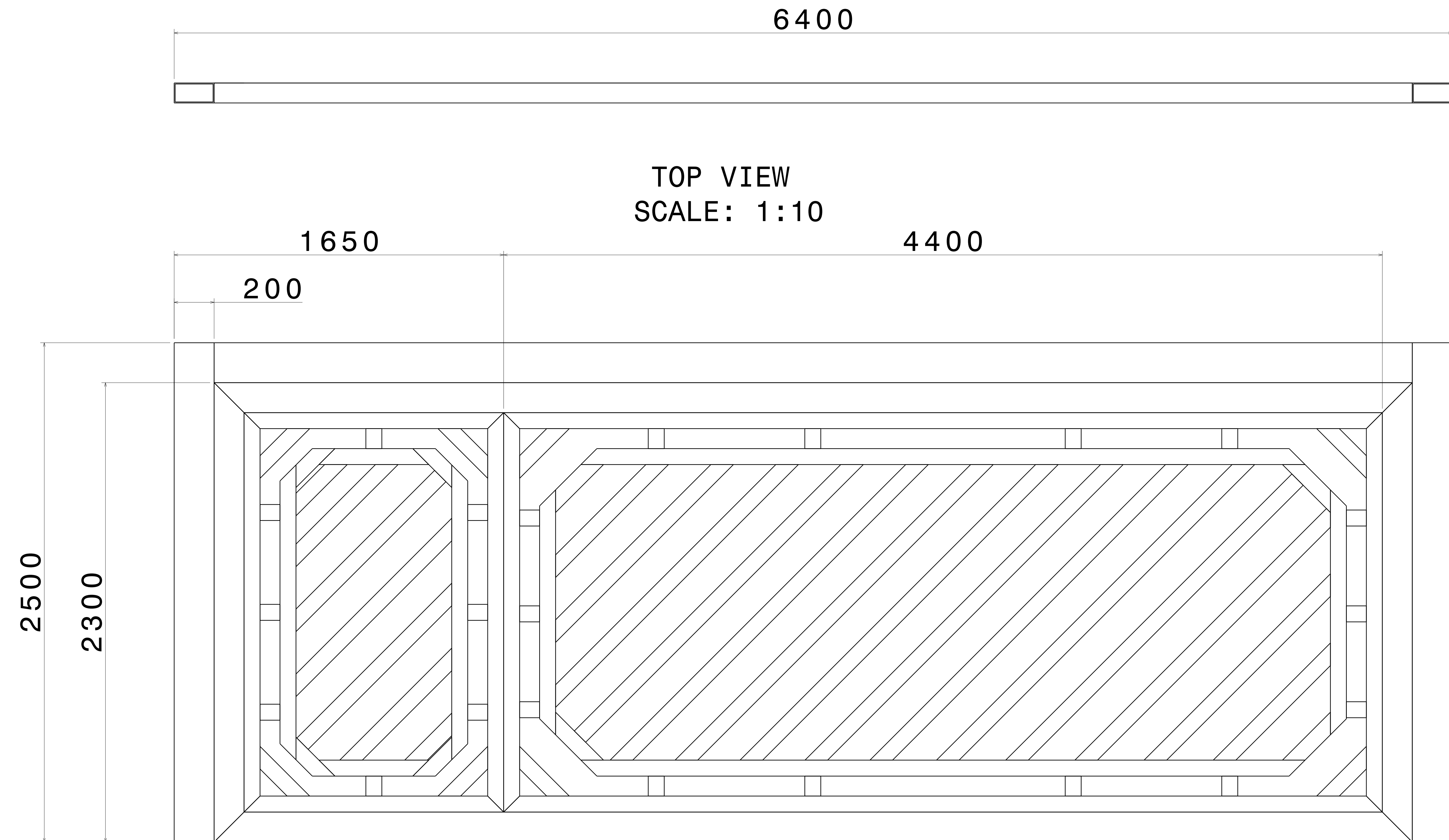
DESIGNED BY: P2P Analysis & Solutions, DATE: 27MARCH2021

SCALE: A0, DRAWING NUMBER: P2P MAR 21-05, REV: 00

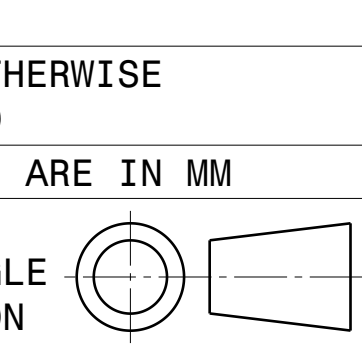
SCALE: As Indicated, WEIGHT (kg): 0kg, SHEET 1 OF 4


UNLESS OTHERWISE SPECIFIED DIMENSION ARE IN MM VIEWS: THIRD ANGLE PROJECTION

REV	DATE	DESCRIPTION
00	27MARCH2021	INITIAL REVISION



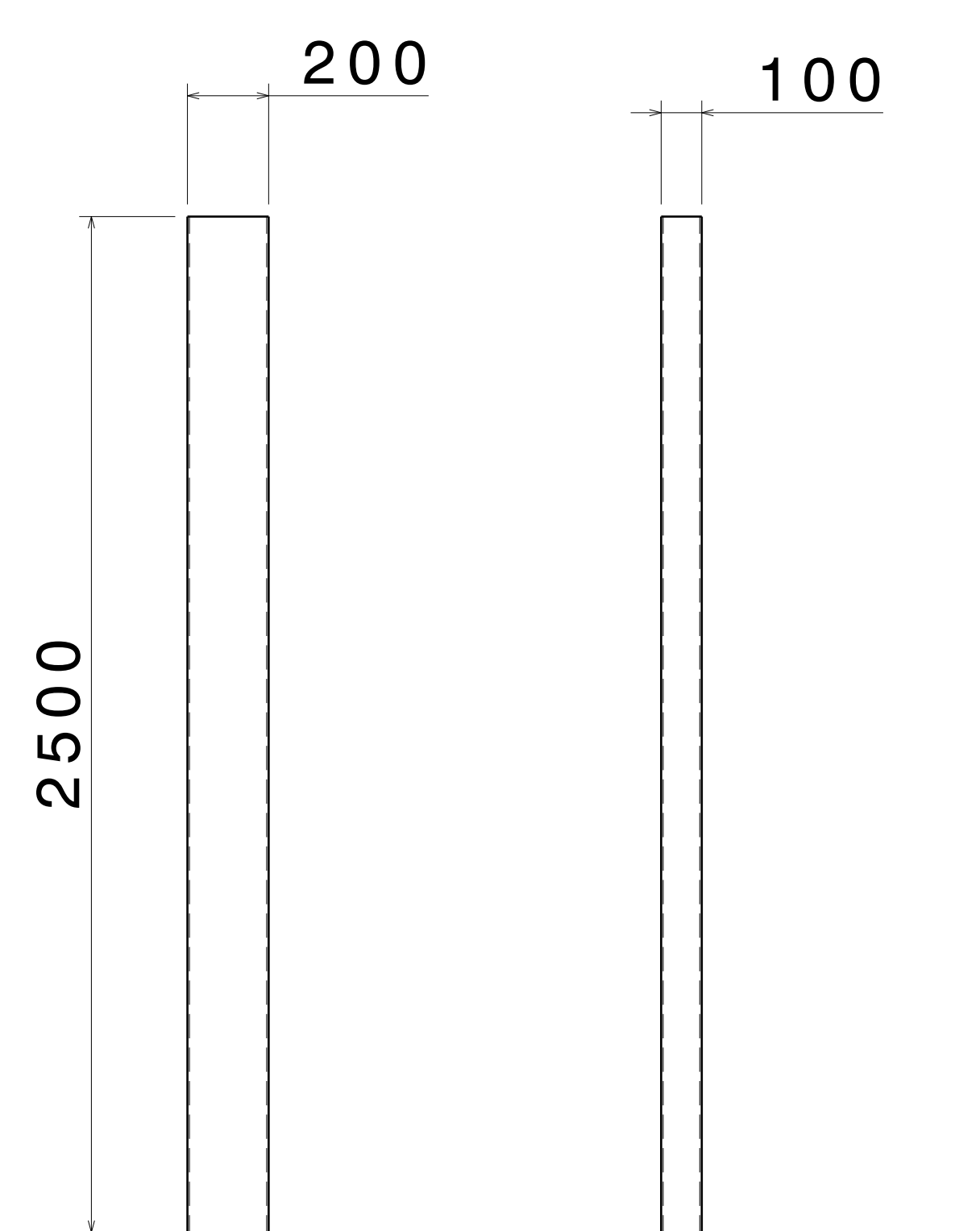
UNLESS OTHERWISE SPECIFIED DIMENSION ARE IN MM
 VIEWS: THIRD ANGLE PROJECTION



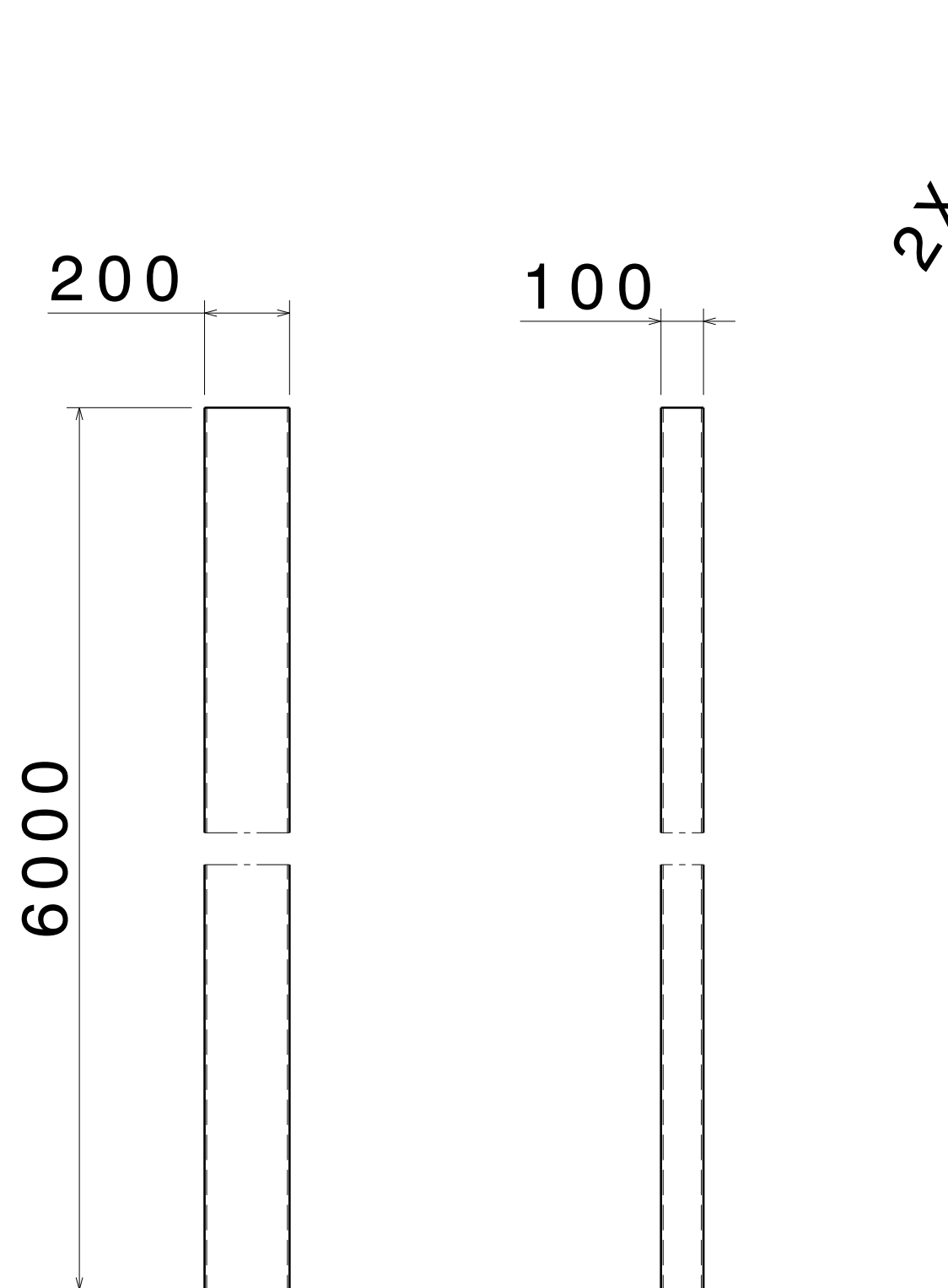
This drawing is our property. It can't be reproduced or communicated without our written agreement.		APL APOLLO TUBES LTD. 	
DRAWN BY SB		DATE 27MARCH2021	
CHECKED BY P2P Analysis & Solutions		DATE 27MARCH2021	
DESIGNED BY P2P Analysis & Solutions		DATE 27MARCH2021	
SIZE A0	DRAWING NUMBER P2P MAR 21-05	REV 00	
SCALE NONE	WEIGHT (kg) XXX	SHEET 2 OF 4	

DRAWING TITLE
GATE 1

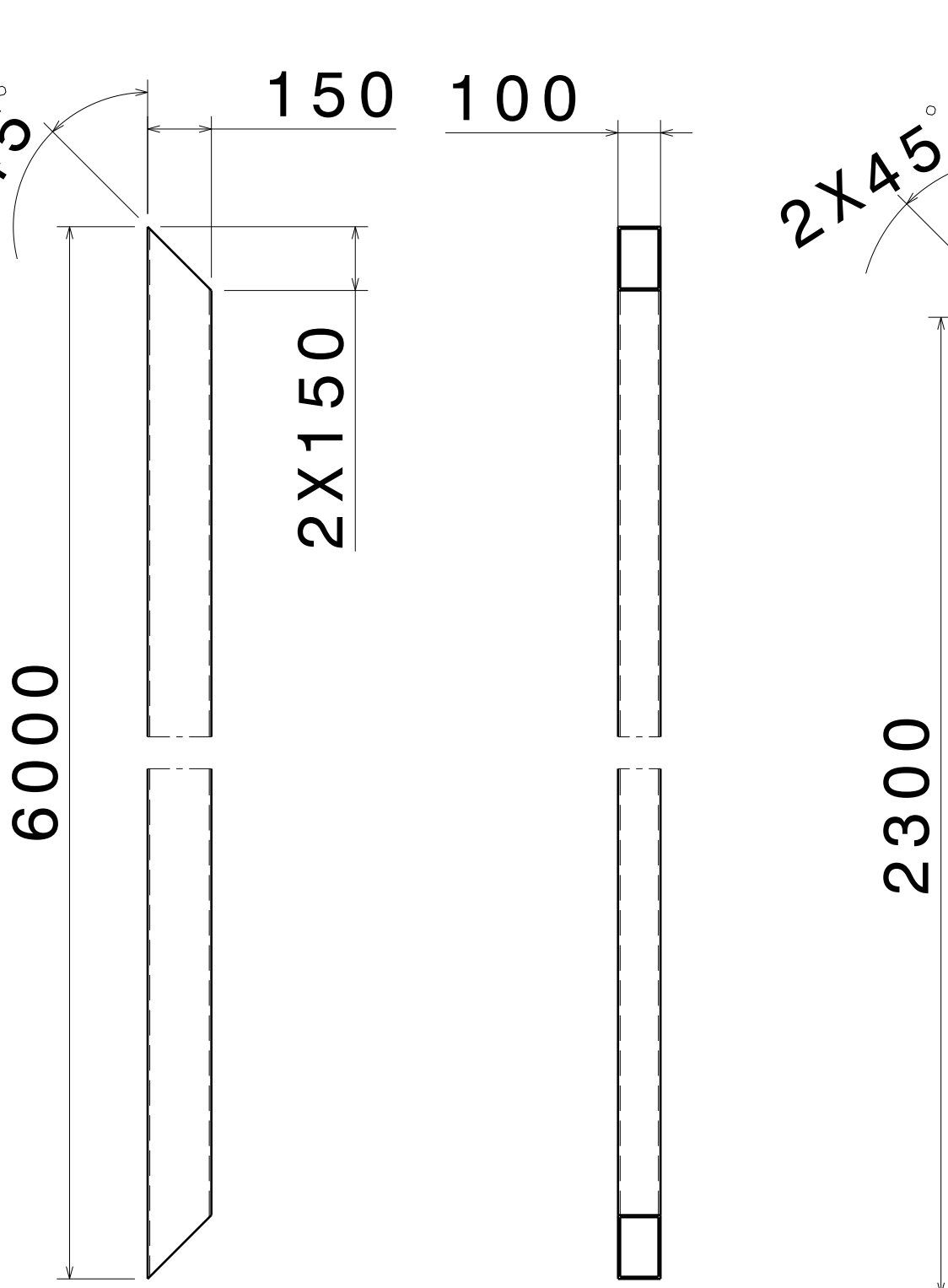
REV	DATE	DESCRIPTION
00	27MARCH2021	INITIAL REVISION



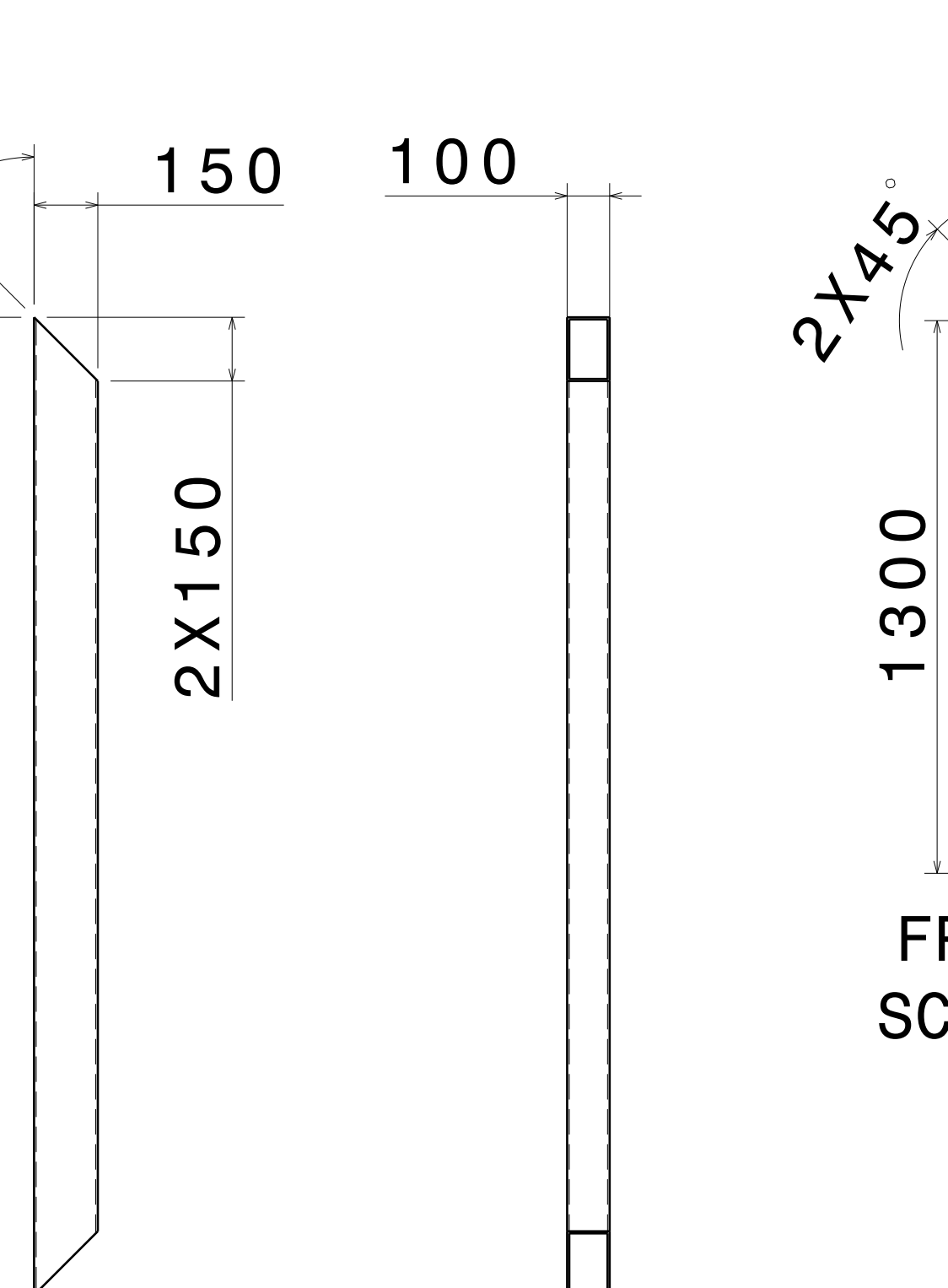
FRONT VIEW RIGHT VIEW
SCALE: 1:15 SCALE: 1:15
ITEM 1, RHS FRAME 1
THICKNESS - 5.0MM



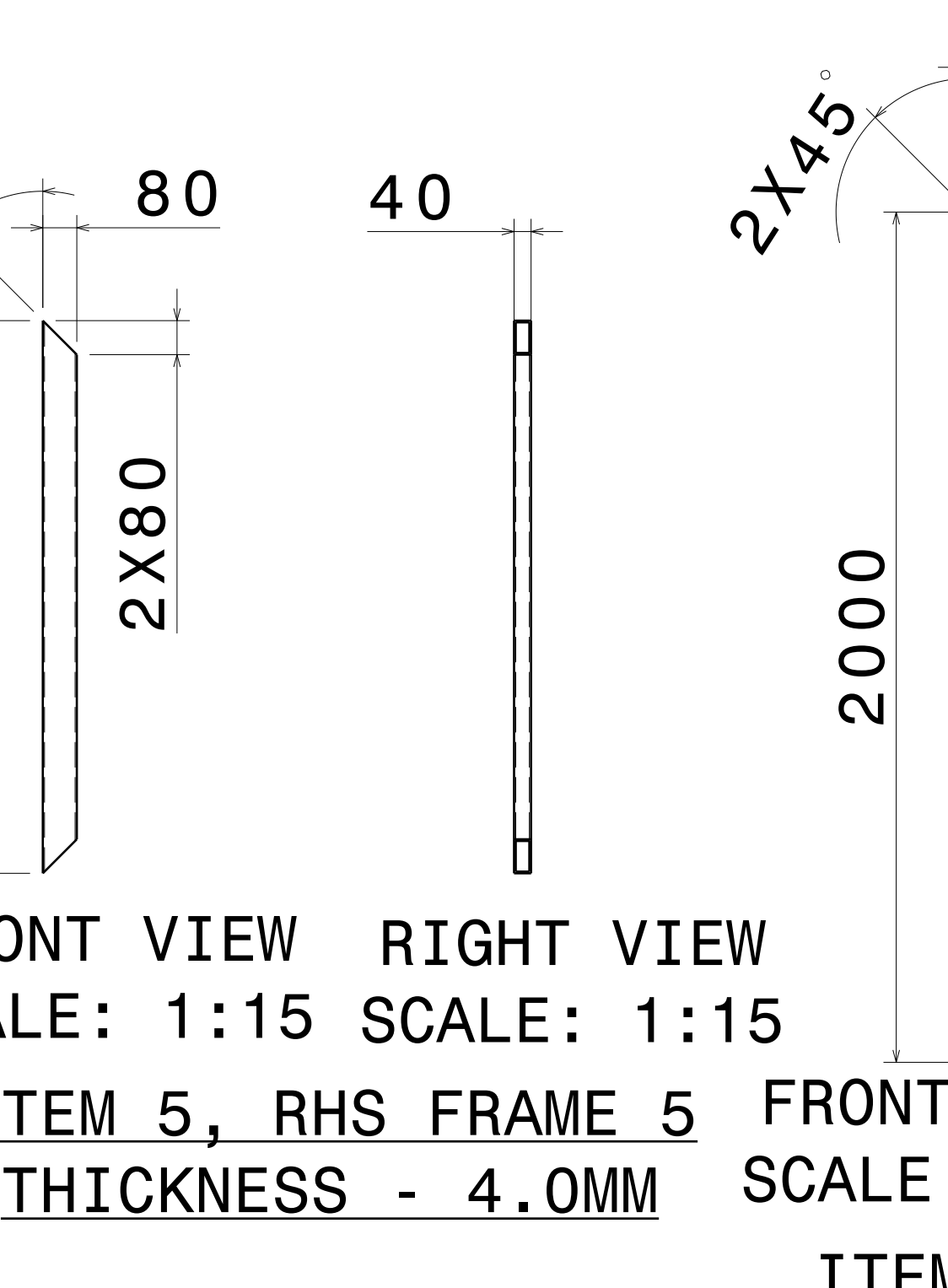
FRONT VIEW RIGHT VIEW
SCALE: 1:15 SCALE: 1:15
ITEM 2, RHS FRAME 2
THICKNESS - 5.0MM



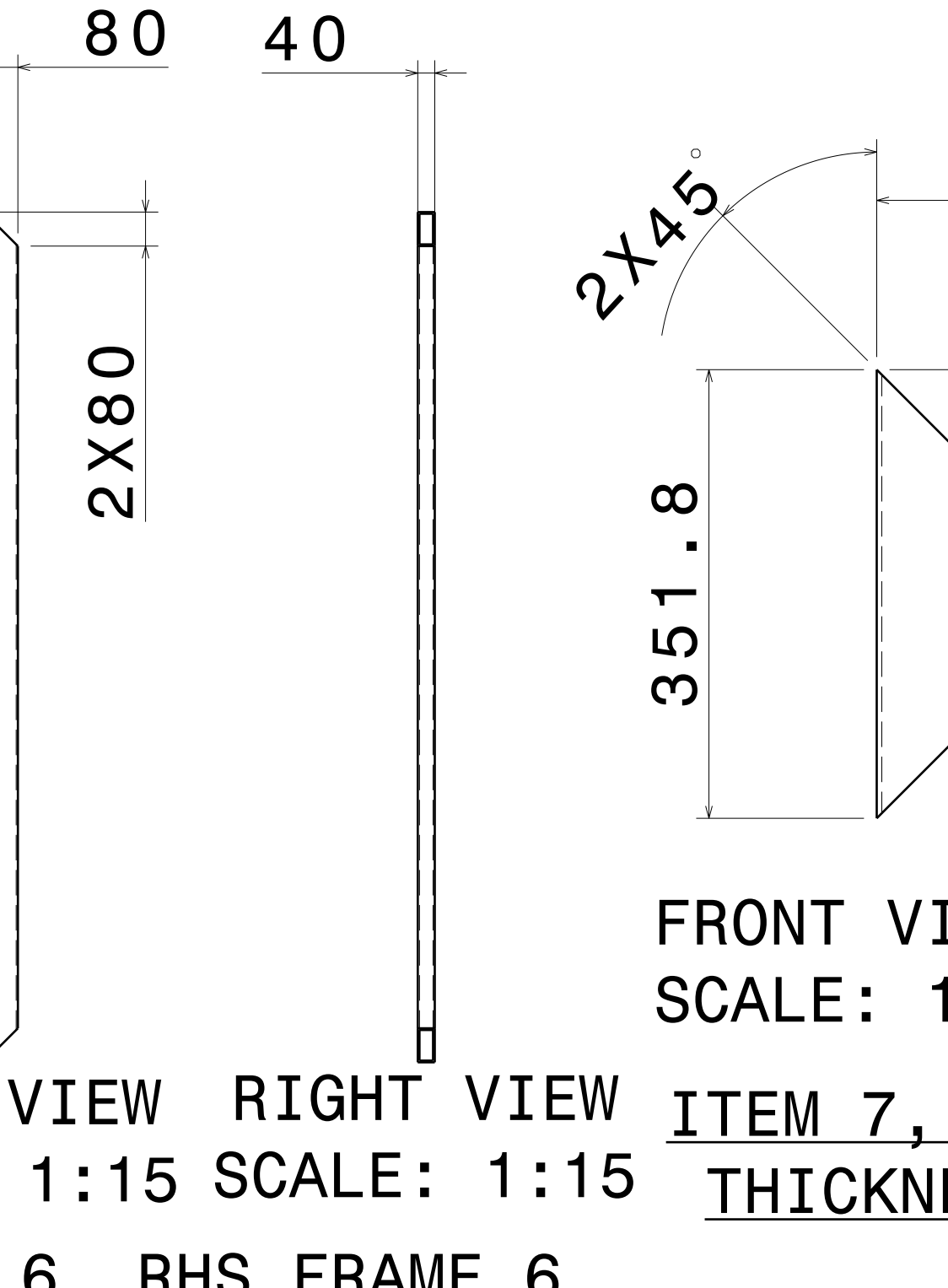
FRONT VIEW RIGHT VIEW
SCALE: 1:15 SCALE: 1:15
ITEM 3, RHS FRAME 3
THICKNESS - 5.0MM



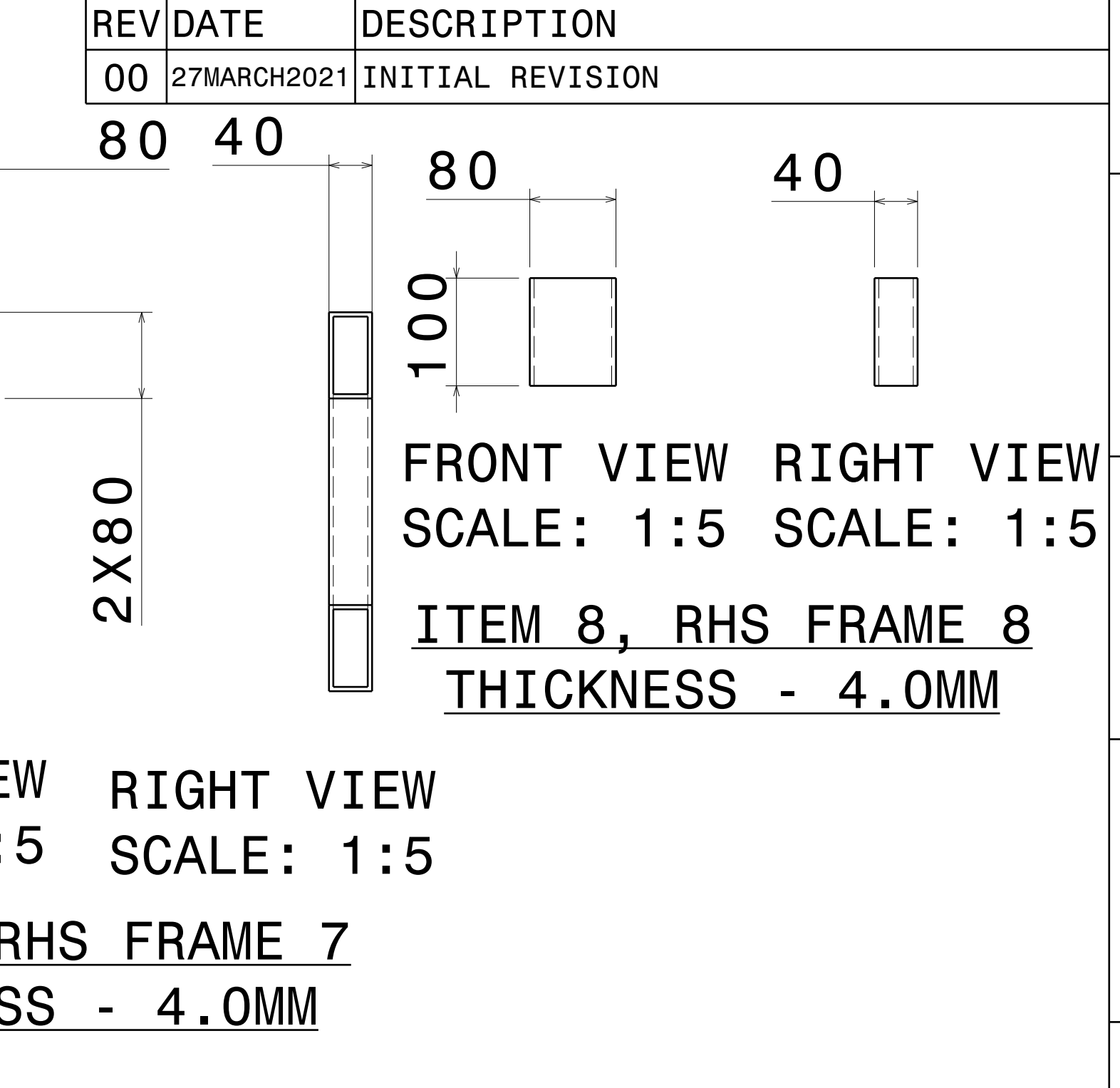
FRONT VIEW RIGHT VIEW
SCALE: 1:15 SCALE: 1:15
ITEM 4, RHS FRAME 4
THICKNESS - 5.0MM



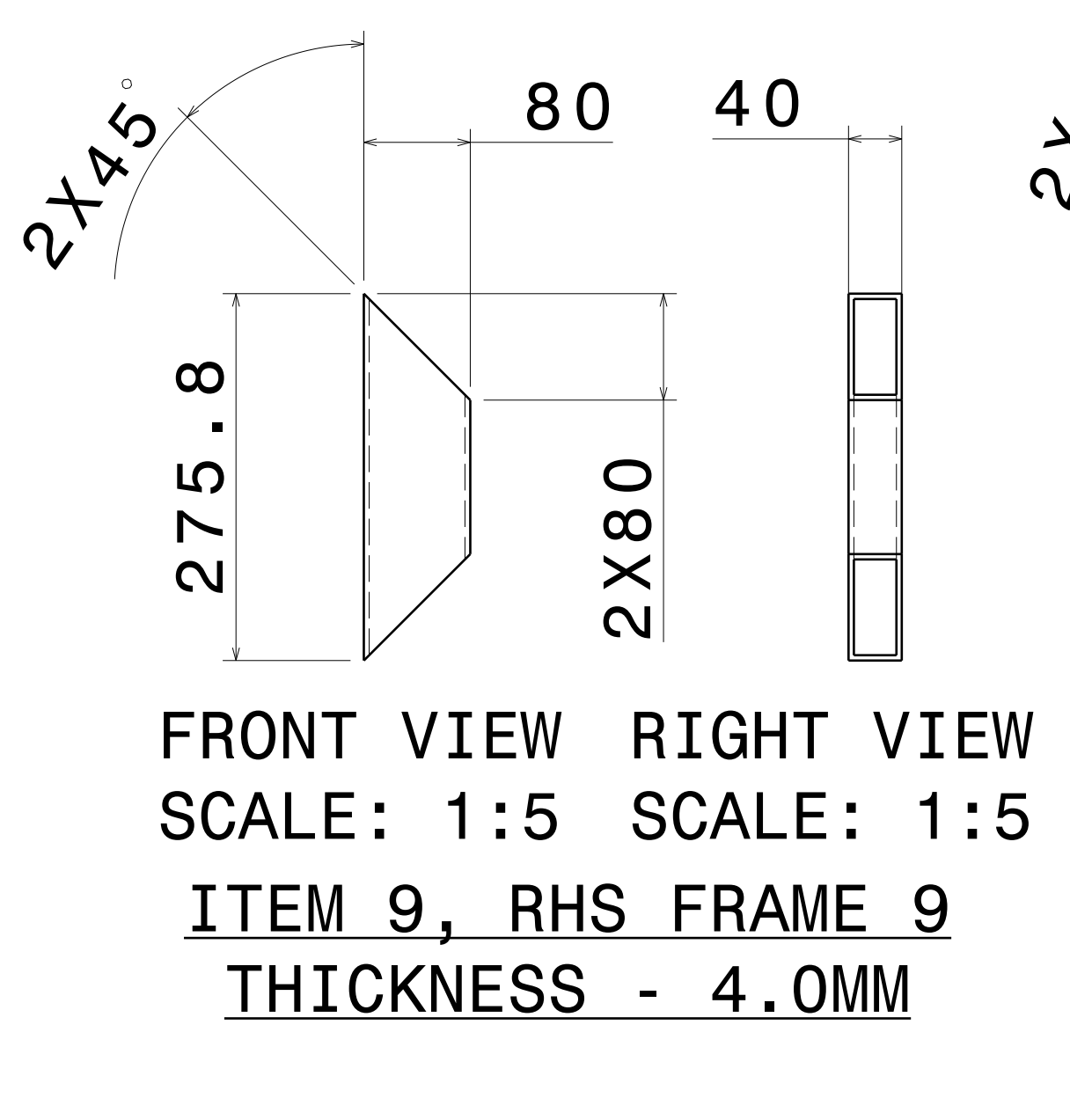
FRONT VIEW RIGHT VIEW
SCALE: 1:15 SCALE: 1:15
ITEM 5, RHS FRAME 5
THICKNESS - 4.0MM



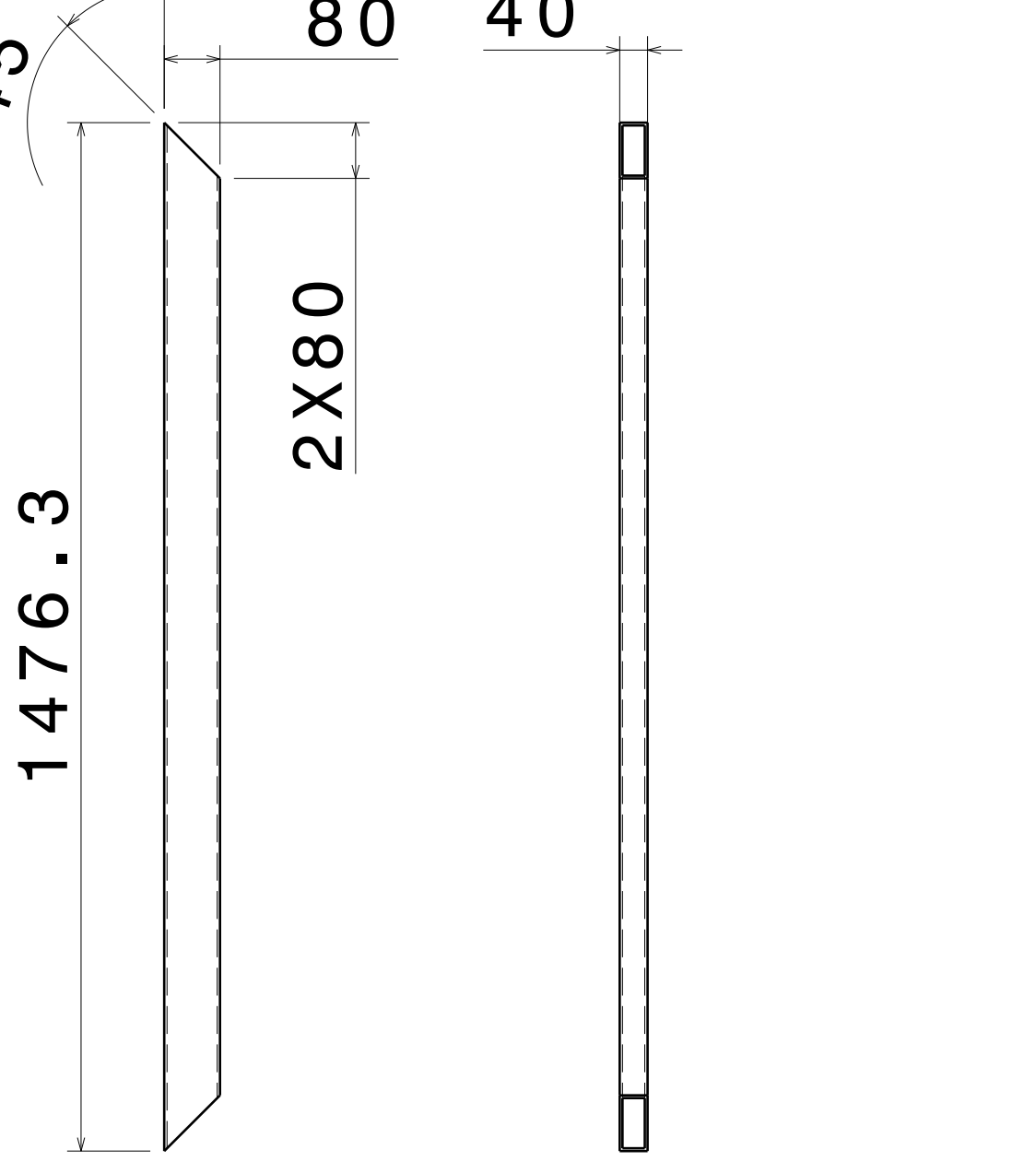
FRONT VIEW RIGHT VIEW
SCALE: 1:15 SCALE: 1:15
ITEM 6, RHS FRAME 6
THICKNESS - 4.0MM



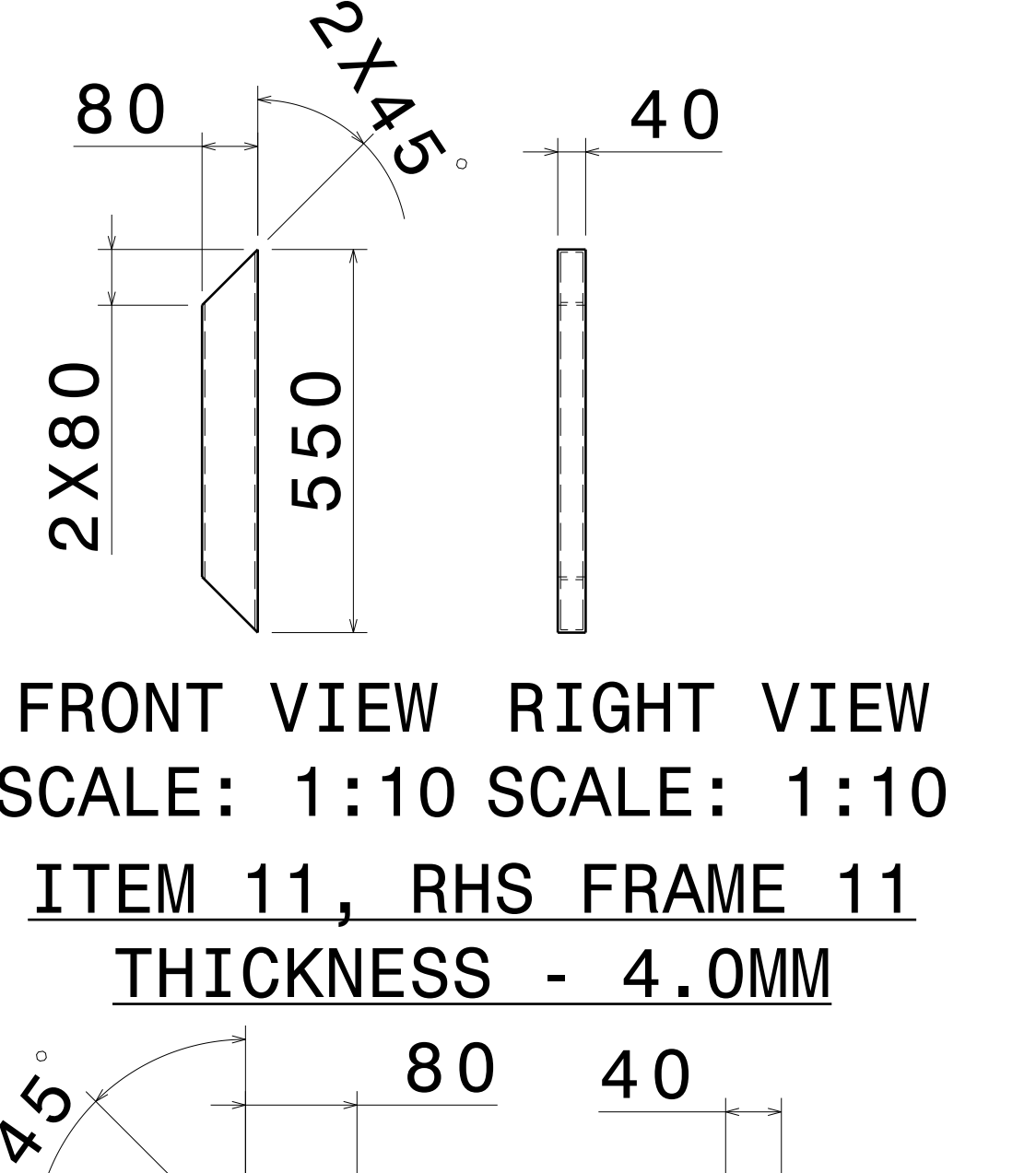
FRONT VIEW RIGHT VIEW
SCALE: 1:5 SCALE: 1:5
ITEM 7, RHS FRAME 7
THICKNESS - 4.0MM



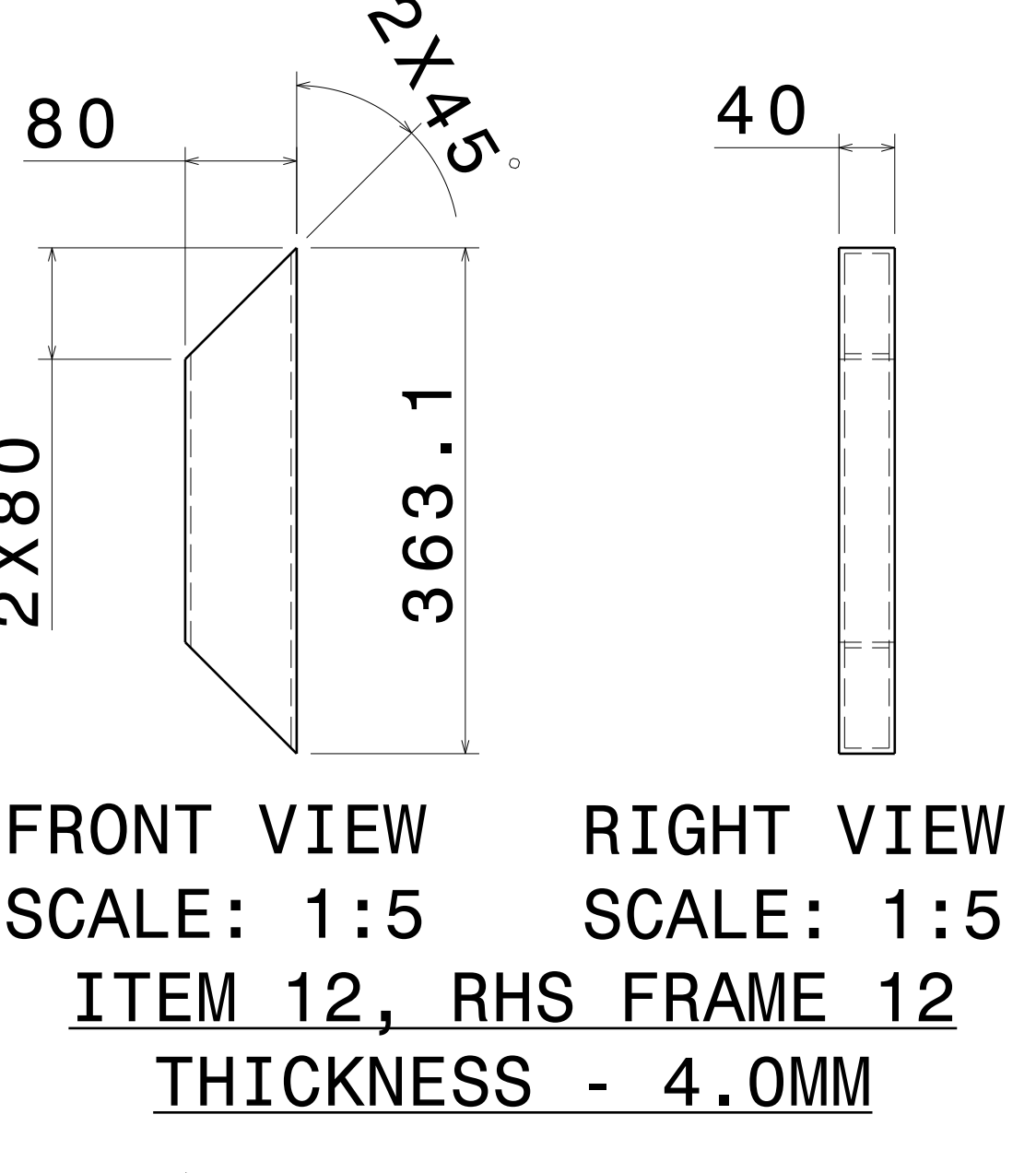
FRONT VIEW RIGHT VIEW
SCALE: 1:5 SCALE: 1:5
ITEM 9, RHS FRAME 9
THICKNESS - 4.0MM



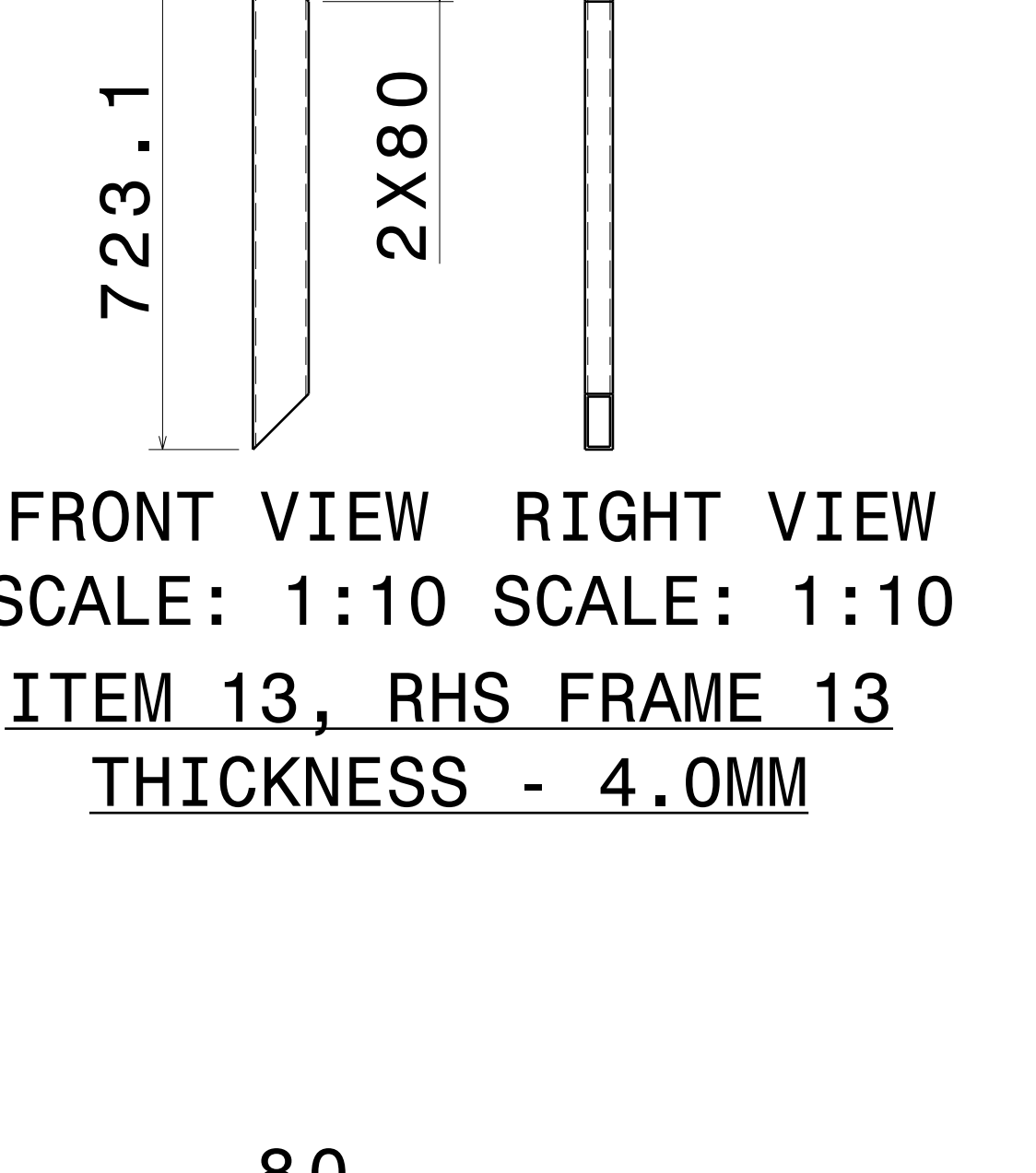
FRONT VIEW RIGHT VIEW
SCALE: 1:10 SCALE: 1:10
ITEM 10, RHS FRAME 10
THICKNESS - 4.0MM



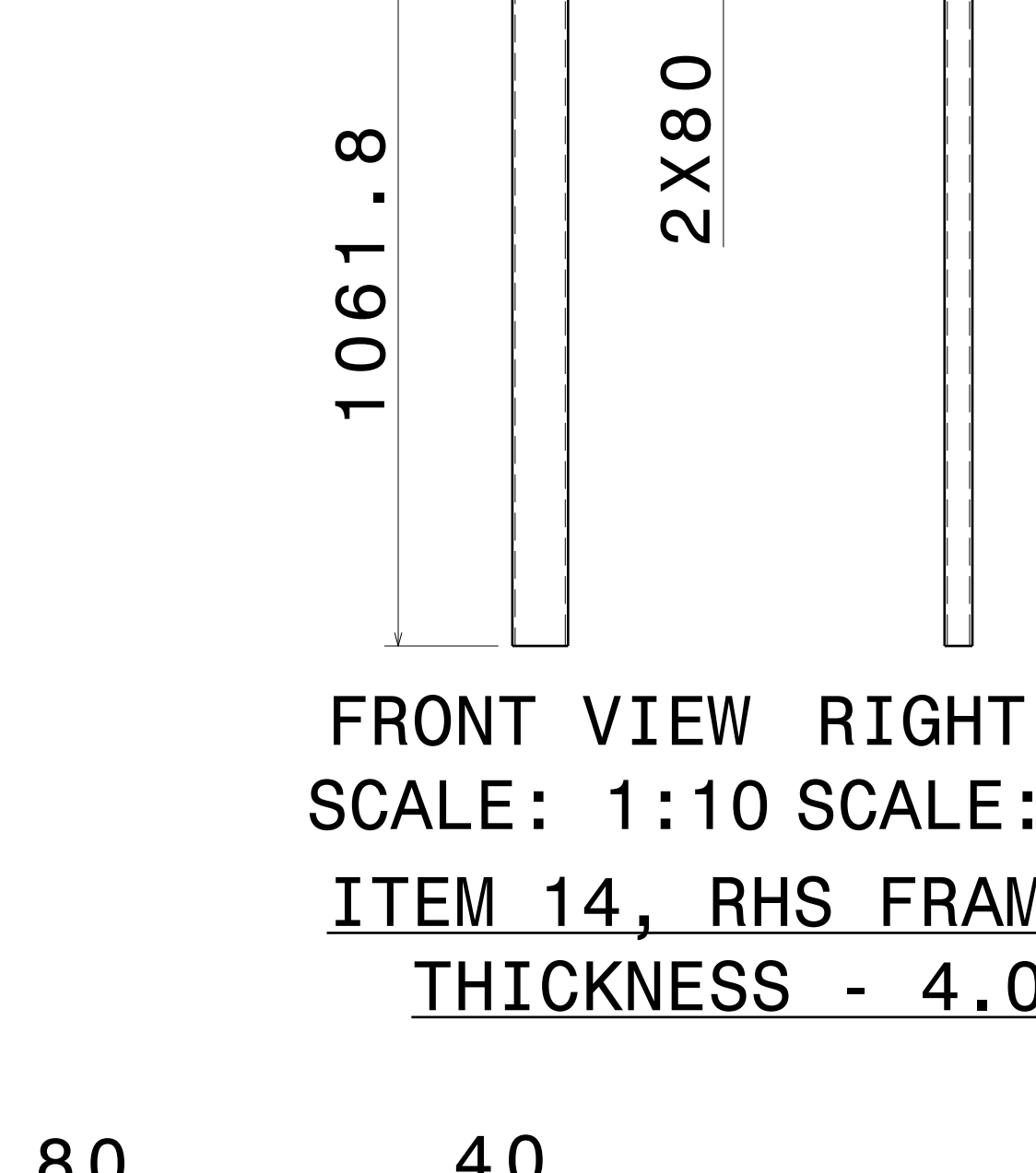
FRONT VIEW RIGHT VIEW
SCALE: 1:10 SCALE: 1:10
ITEM 11, RHS FRAME 11
THICKNESS - 4.0MM



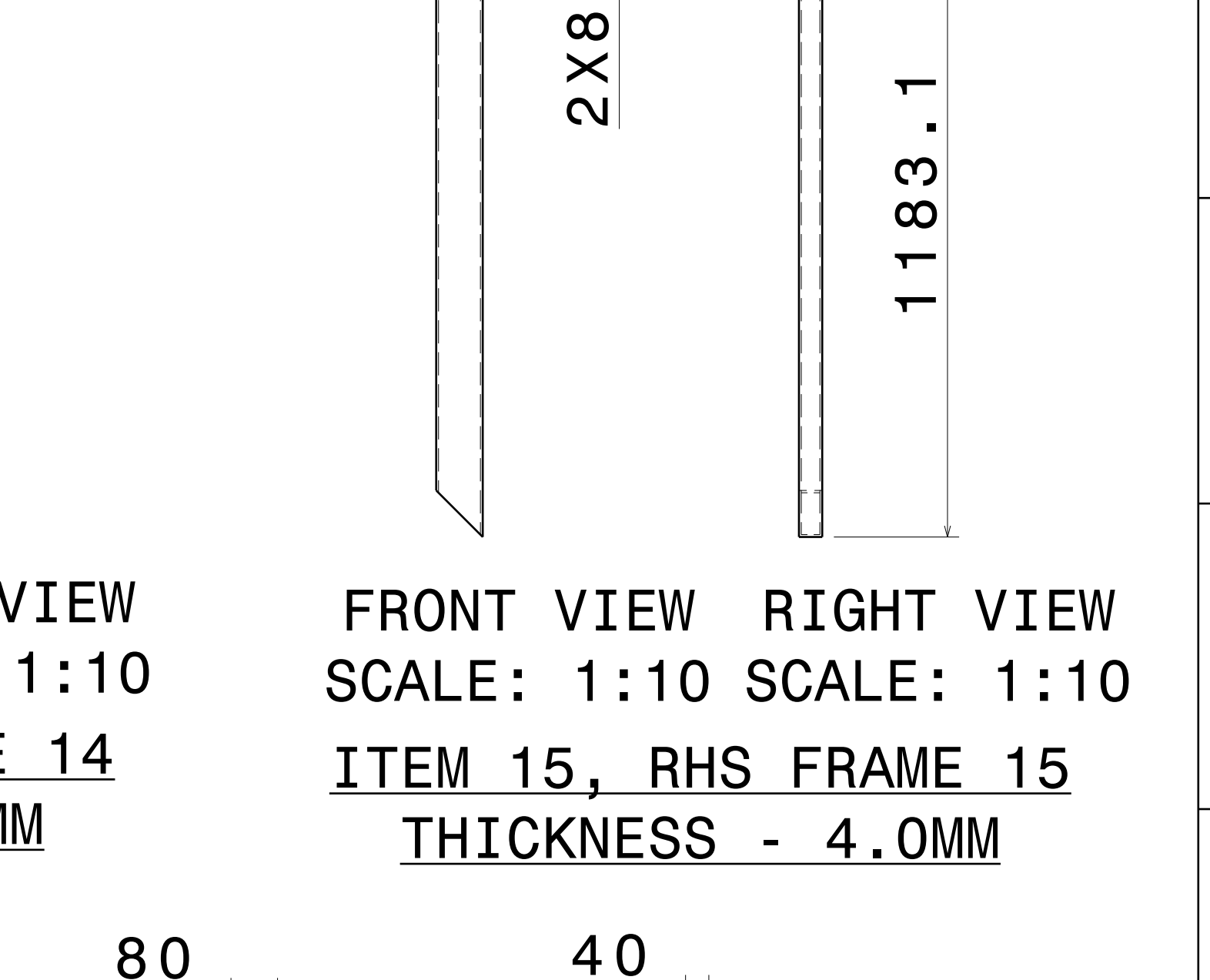
FRONT VIEW RIGHT VIEW
SCALE: 1:5 SCALE: 1:5
ITEM 12, RHS FRAME 12
THICKNESS - 4.0MM



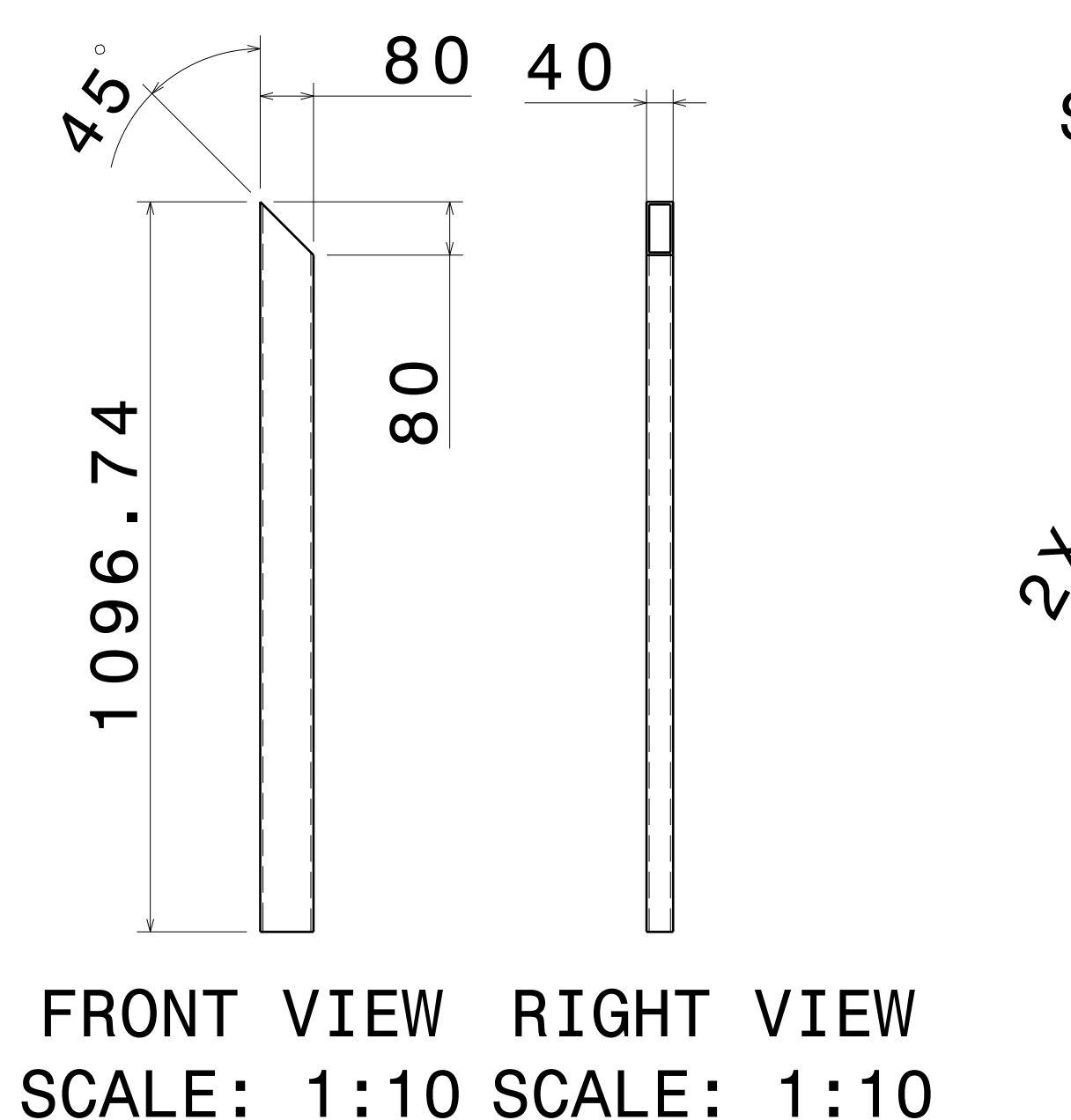
FRONT VIEW RIGHT VIEW
SCALE: 1:10 SCALE: 1:10
ITEM 13, RHS FRAME 13
THICKNESS - 4.0MM



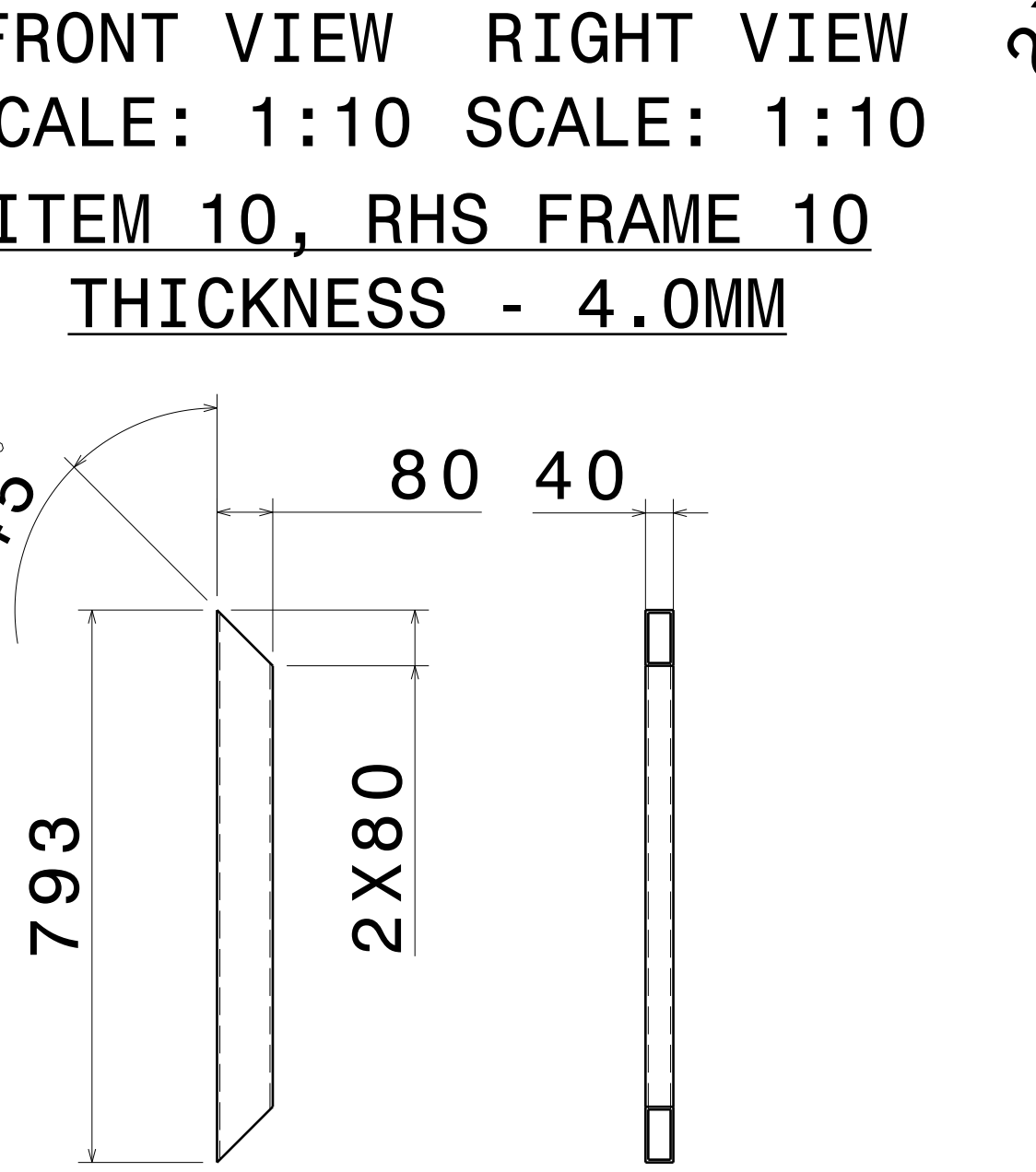
FRONT VIEW RIGHT VIEW
SCALE: 1:10 SCALE: 1:10
ITEM 14, RHS FRAME 14
THICKNESS - 4.0MM



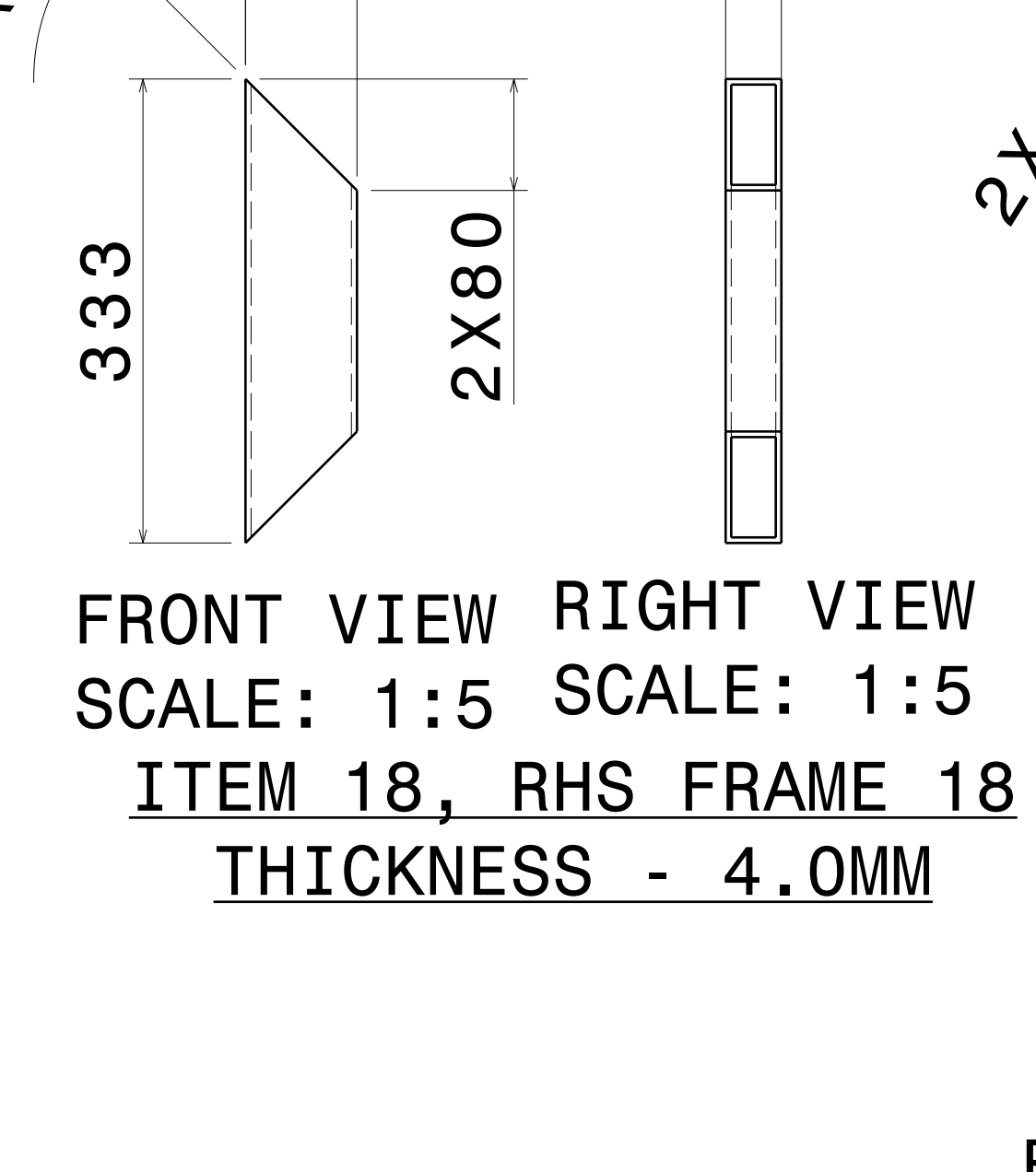
FRONT VIEW RIGHT VIEW
SCALE: 1:10 SCALE: 1:10
ITEM 15, RHS FRAME 15
THICKNESS - 4.0MM



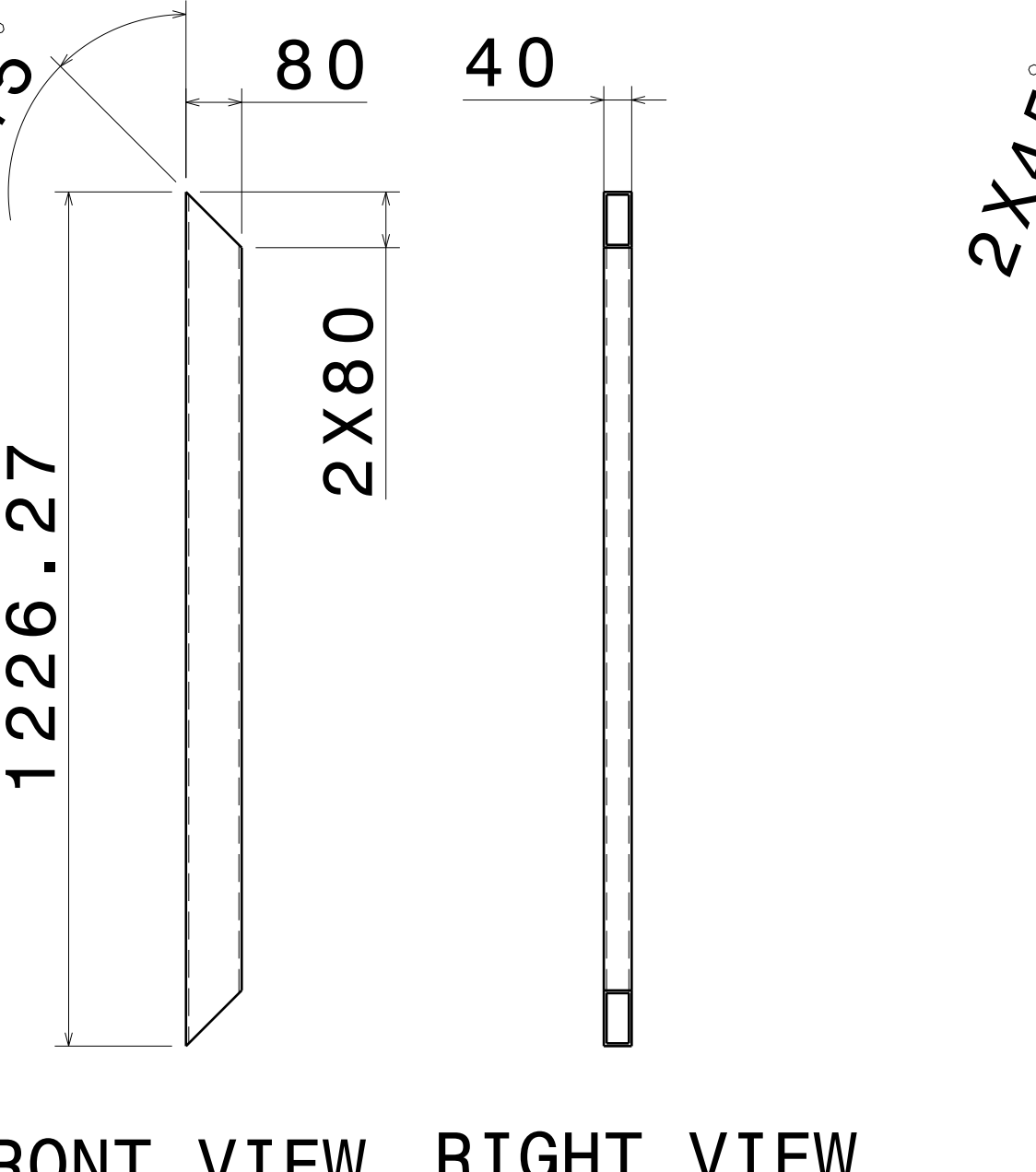
FRONT VIEW RIGHT VIEW
SCALE: 1:10 SCALE: 1:10
ITEM 16, RHS FRAME 16
THICKNESS - 4.0MM



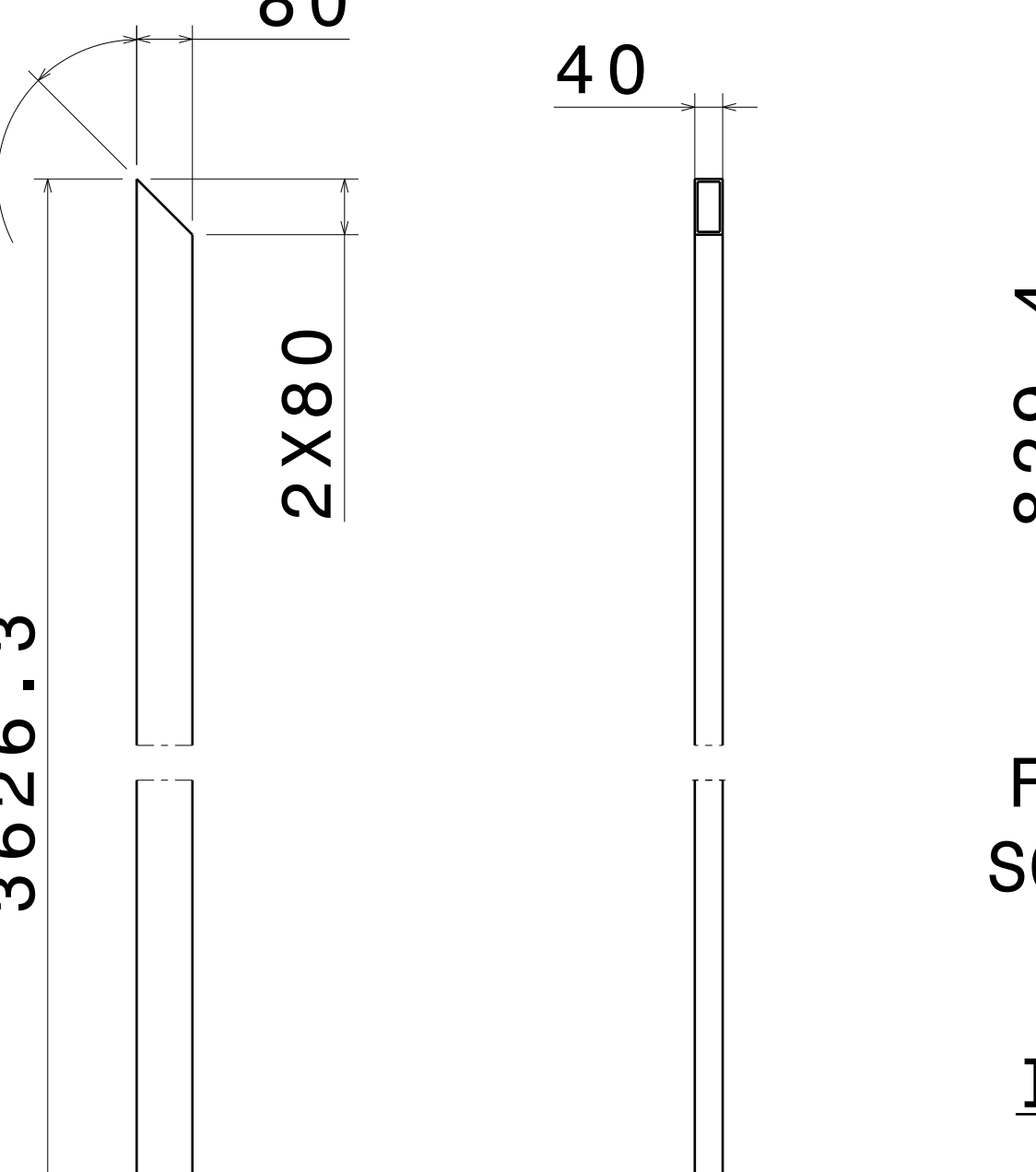
FRONT VIEW RIGHT VIEW
SCALE: 1:10 SCALE: 1:10
ITEM 17, RHS FRAME 17
THICKNESS - 4.0MM



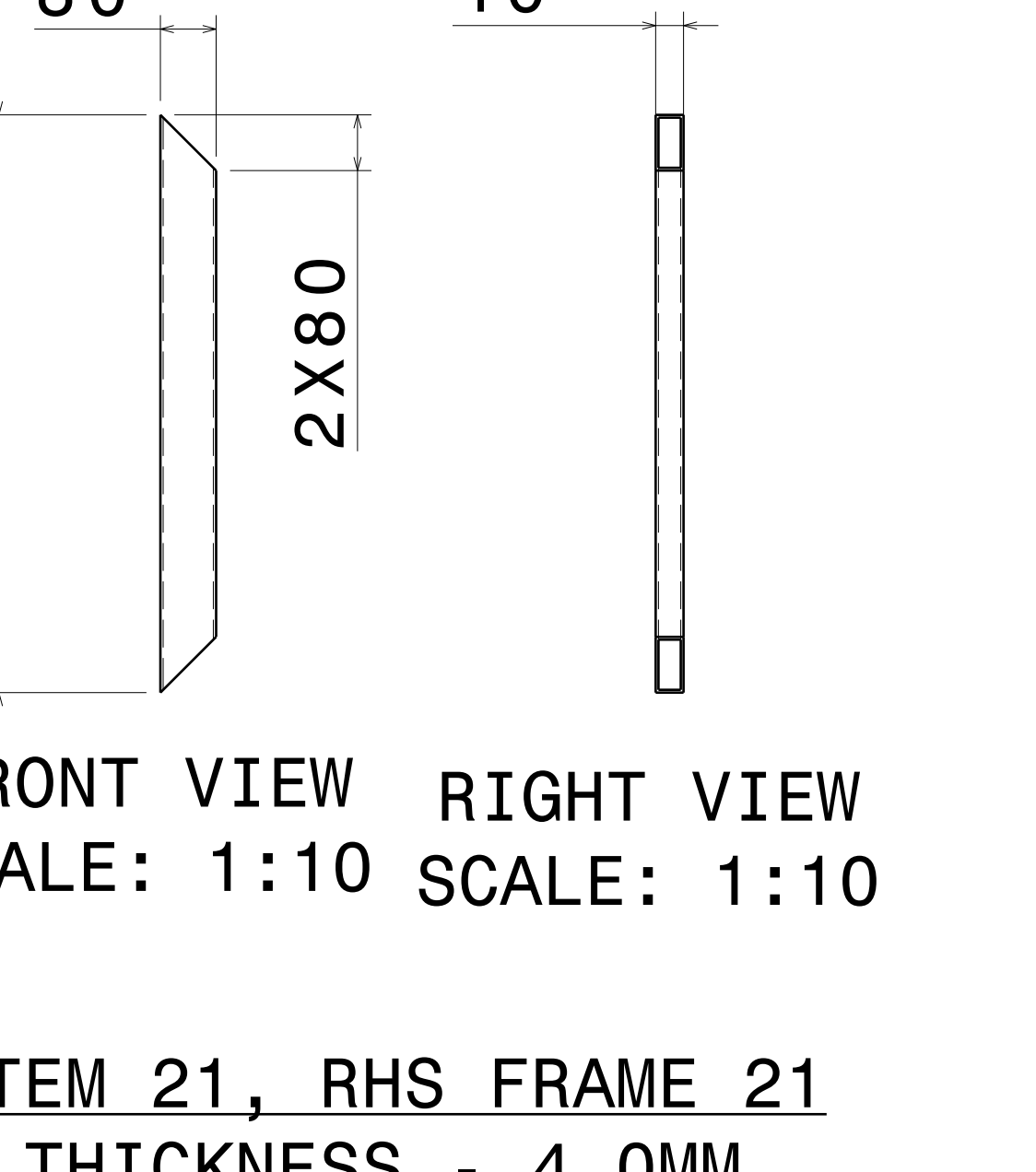
FRONT VIEW RIGHT VIEW
SCALE: 1:5 SCALE: 1:5
ITEM 18, RHS FRAME 18
THICKNESS - 4.0MM



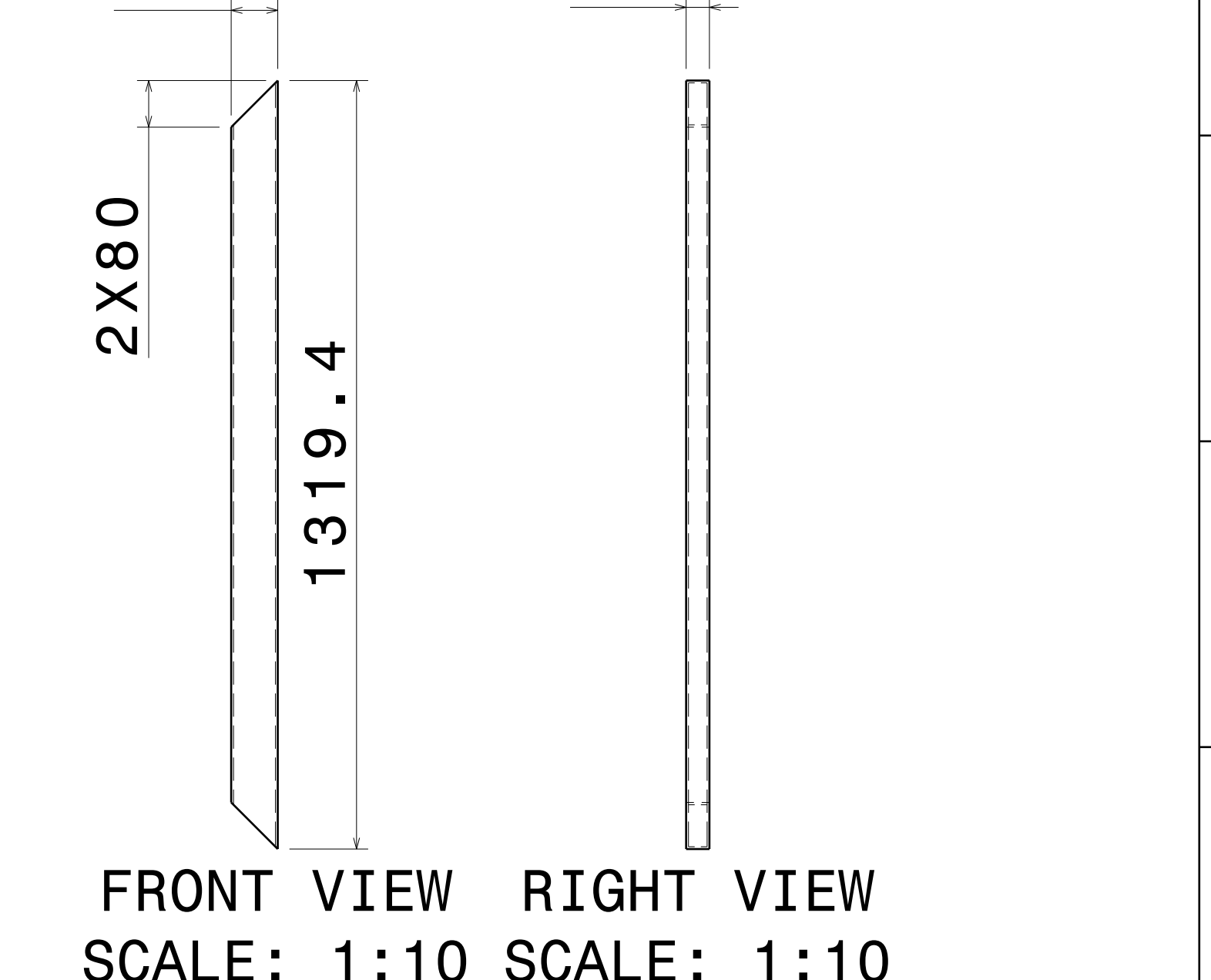
FRONT VIEW RIGHT VIEW
SCALE: 1:10 SCALE: 1:10
ITEM 19, RHS FRAME 19
THICKNESS - 4.0MM



FRONT VIEW RIGHT VIEW
SCALE: 1:10 SCALE: 1:10
ITEM 20, RHS FRAME 20
THICKNESS - 4.0MM



FRONT VIEW RIGHT VIEW
SCALE: 1:10 SCALE: 1:10
ITEM 21, RHS FRAME 21
THICKNESS - 4.0MM

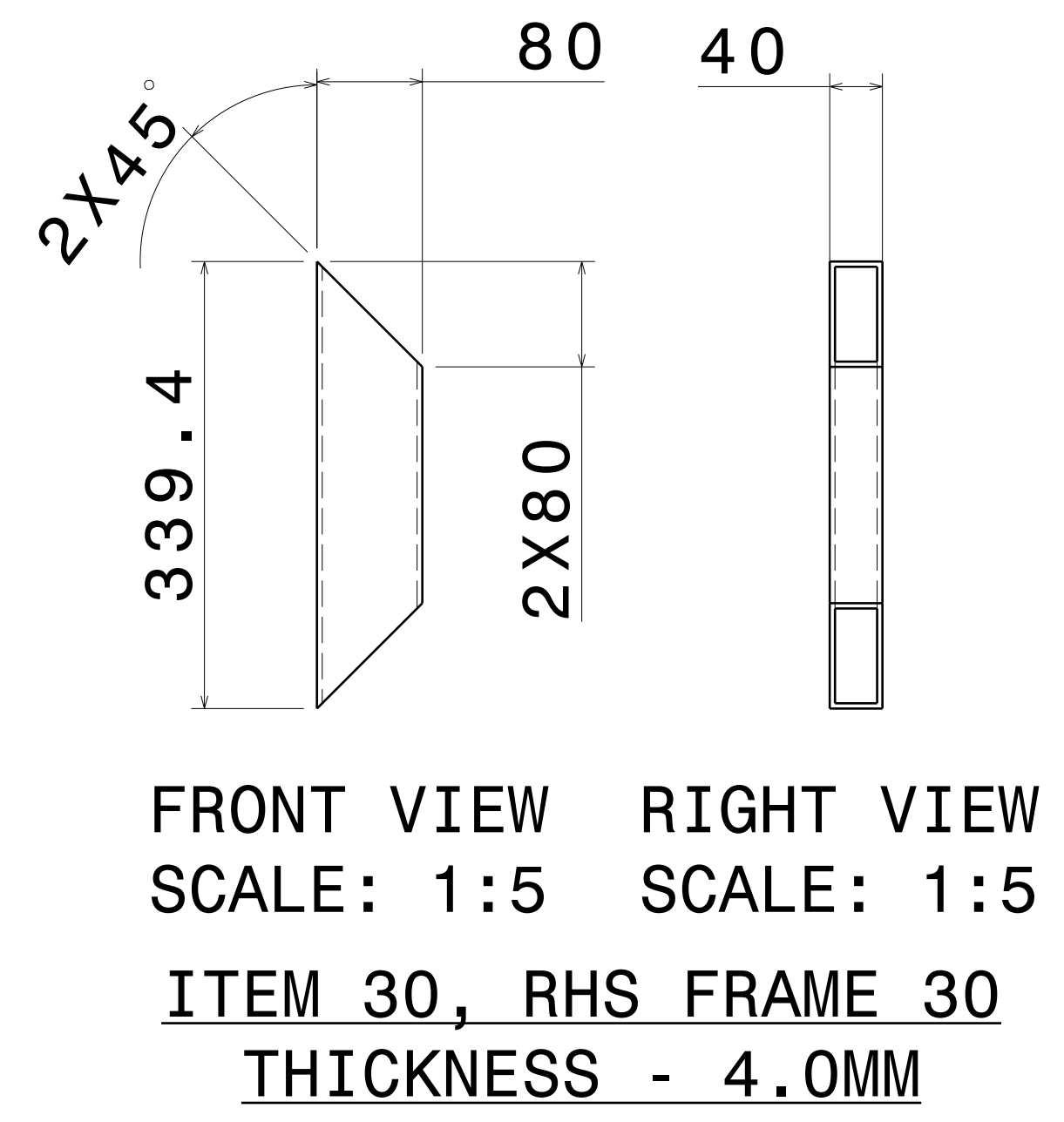
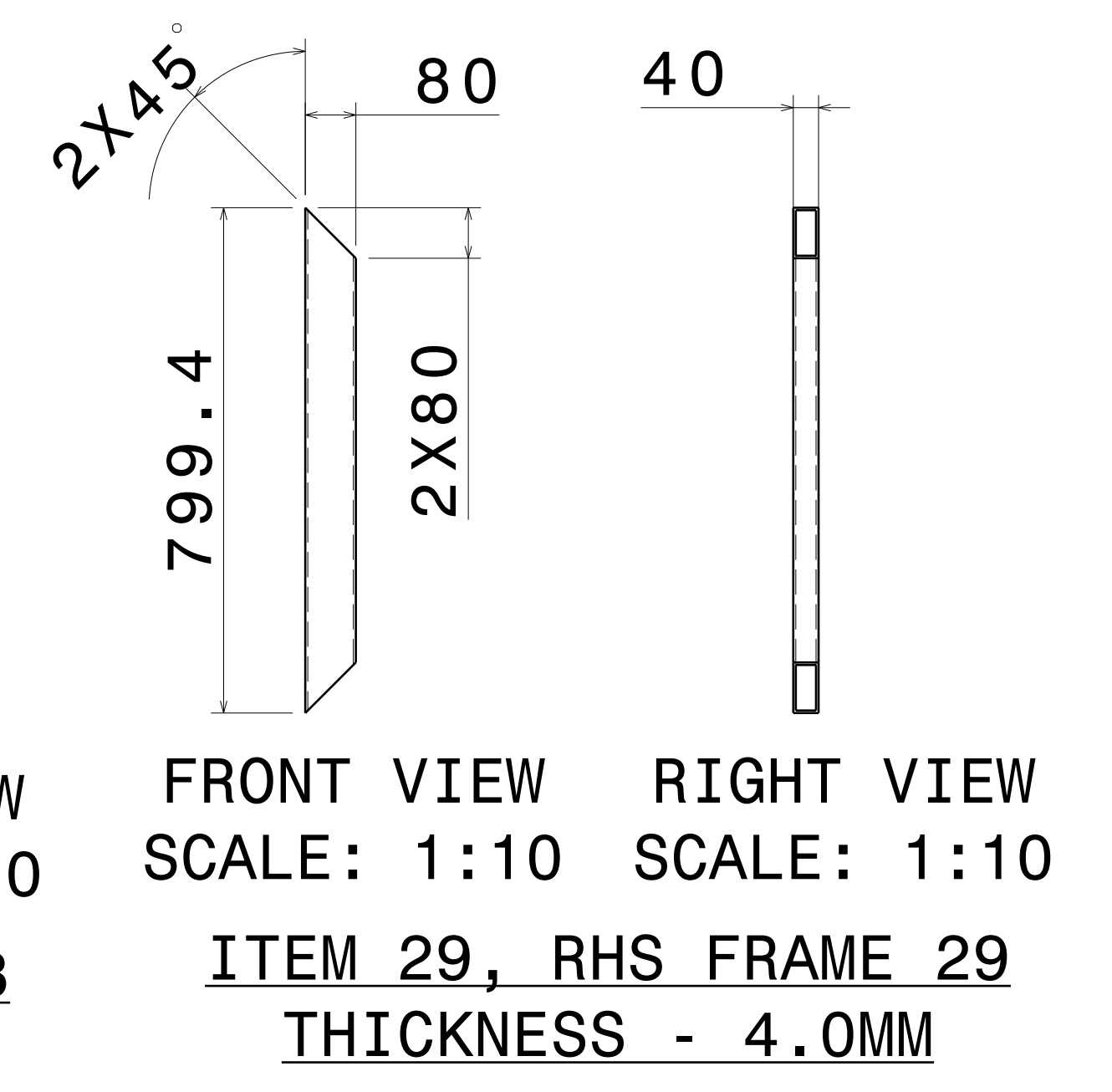
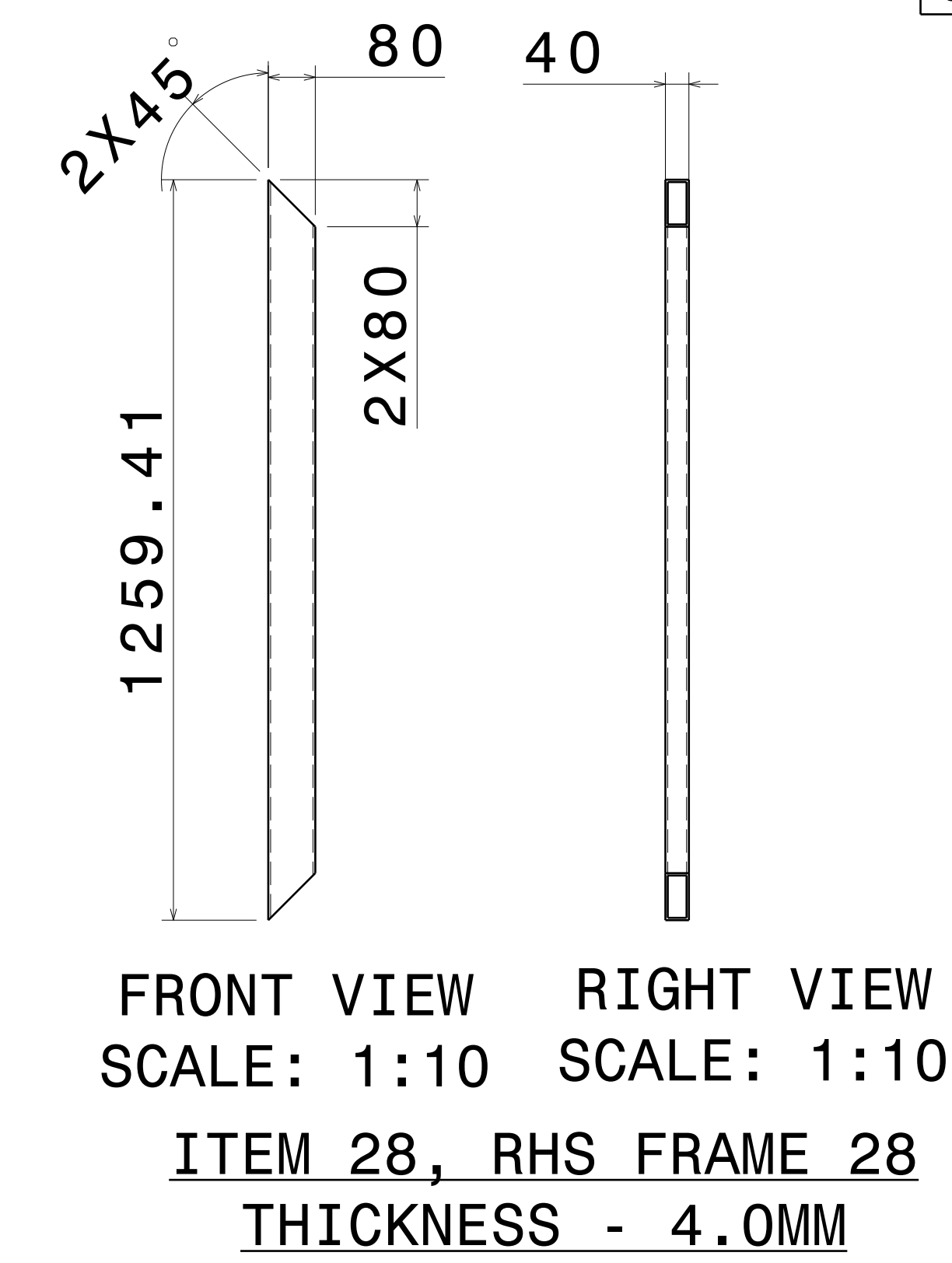
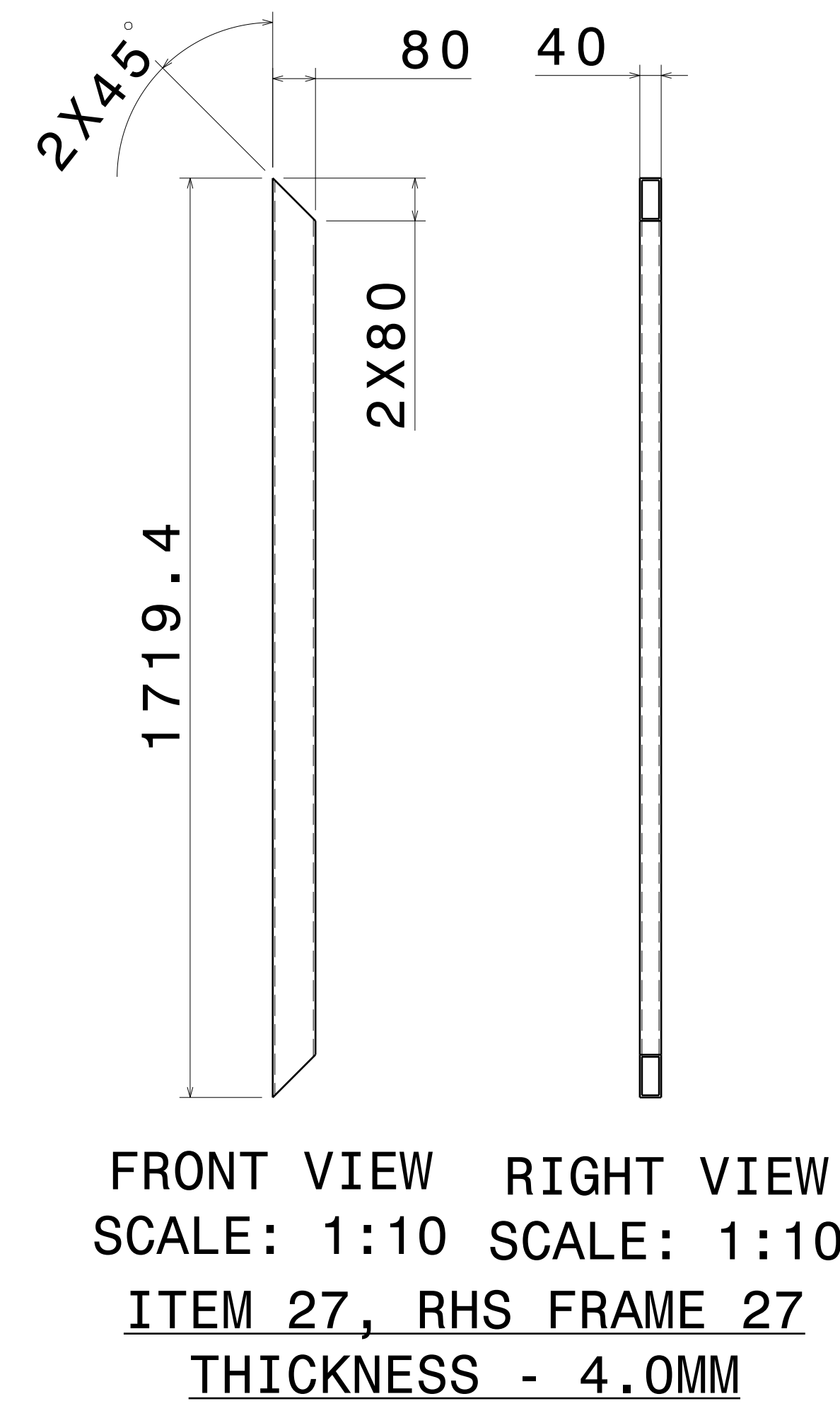
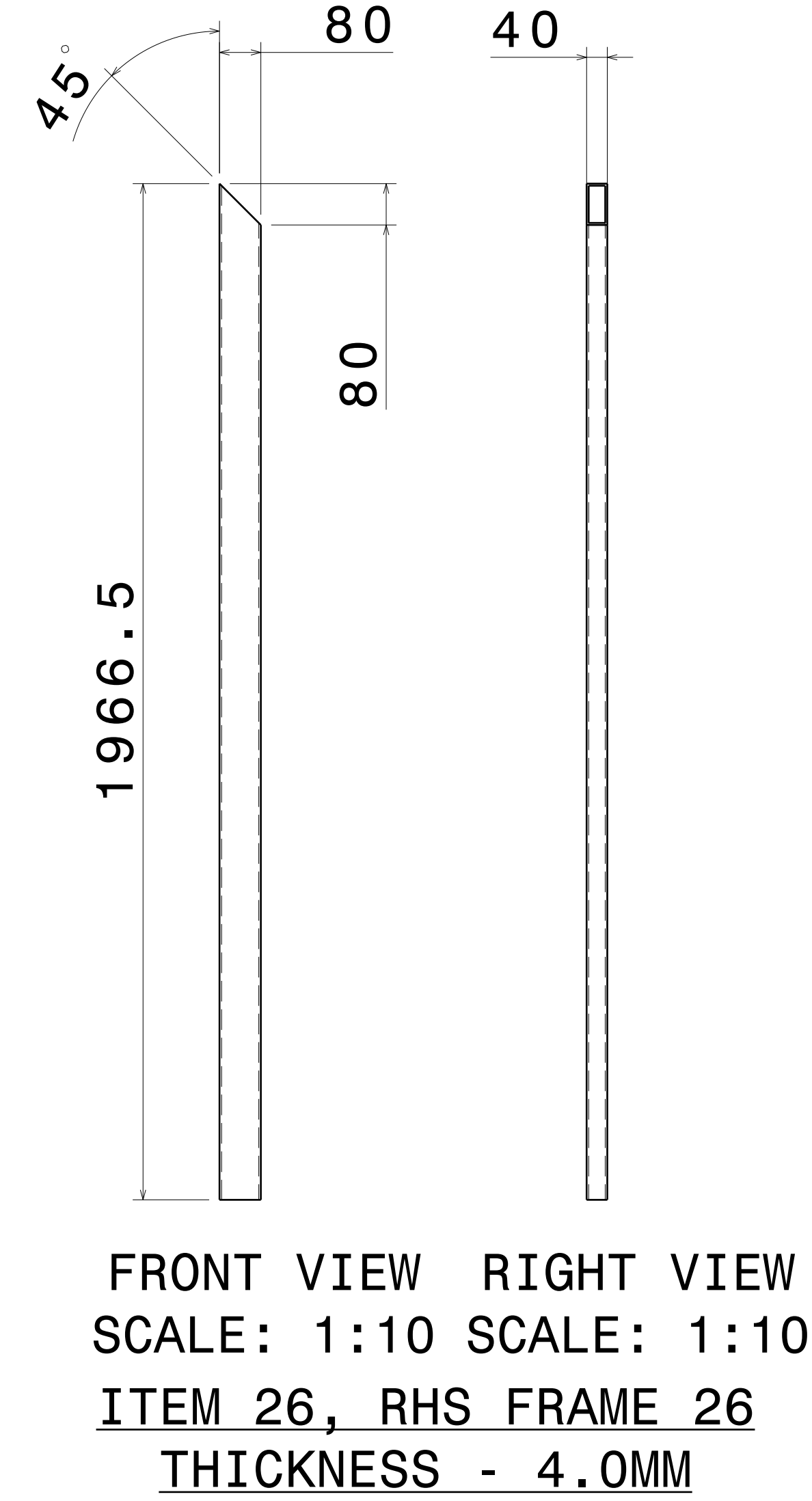
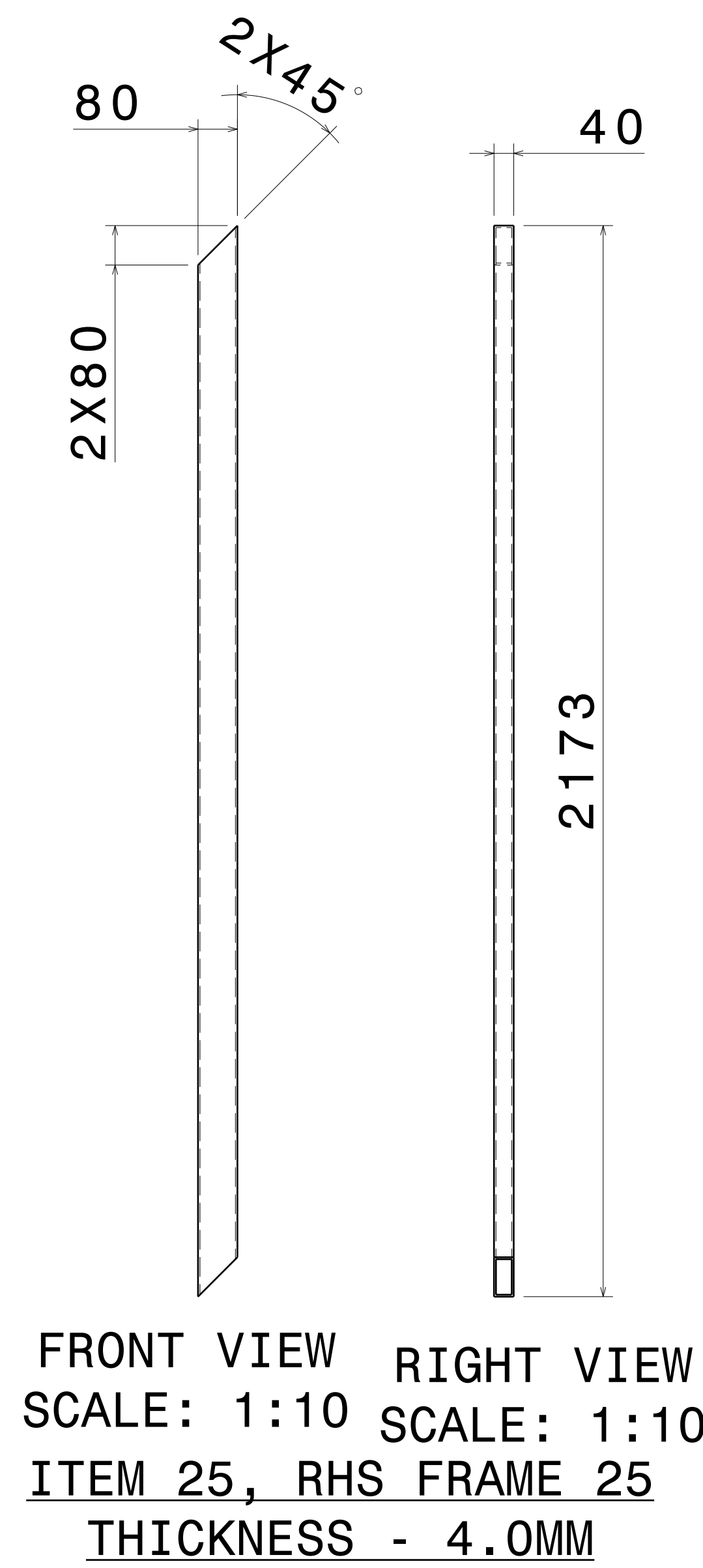
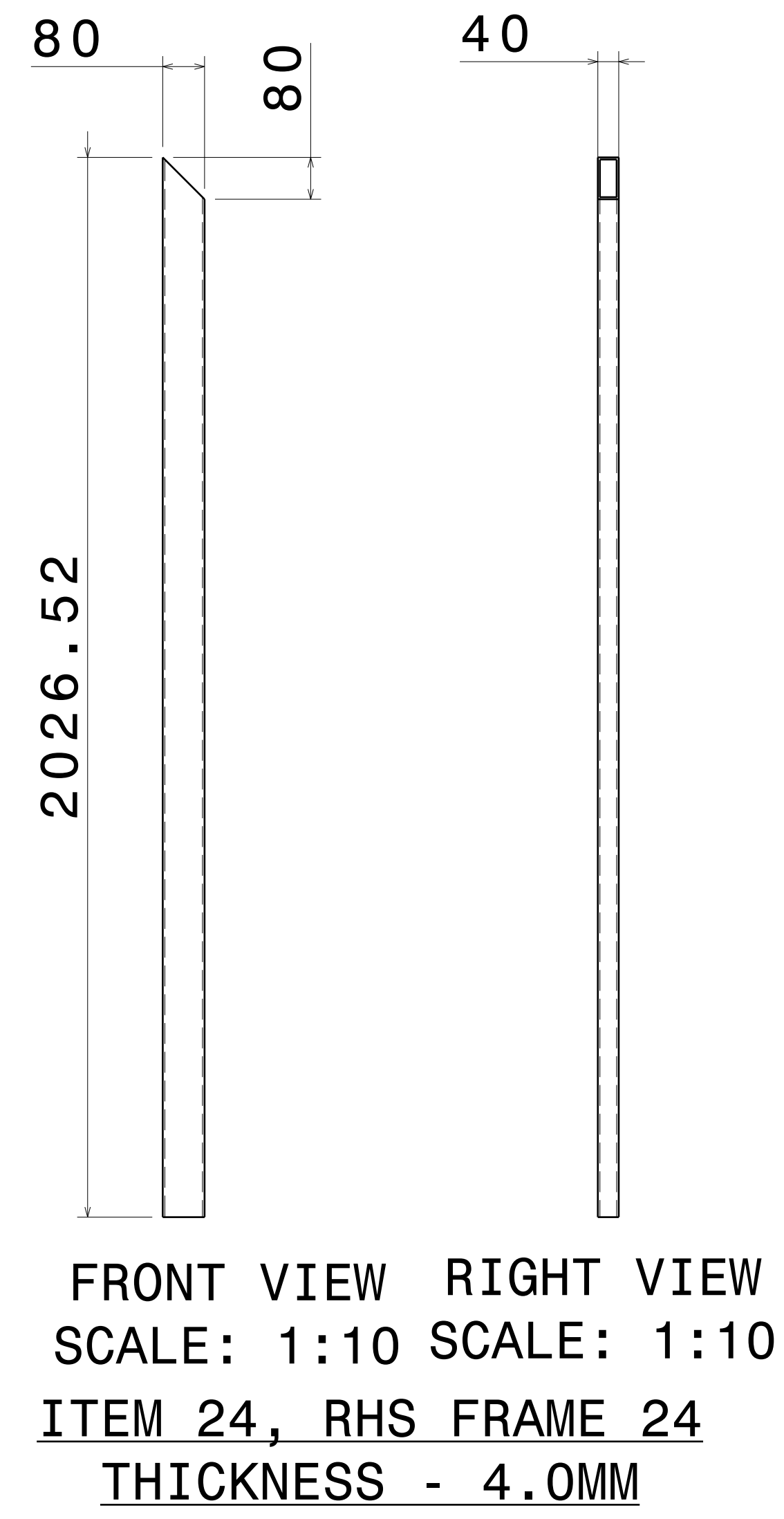
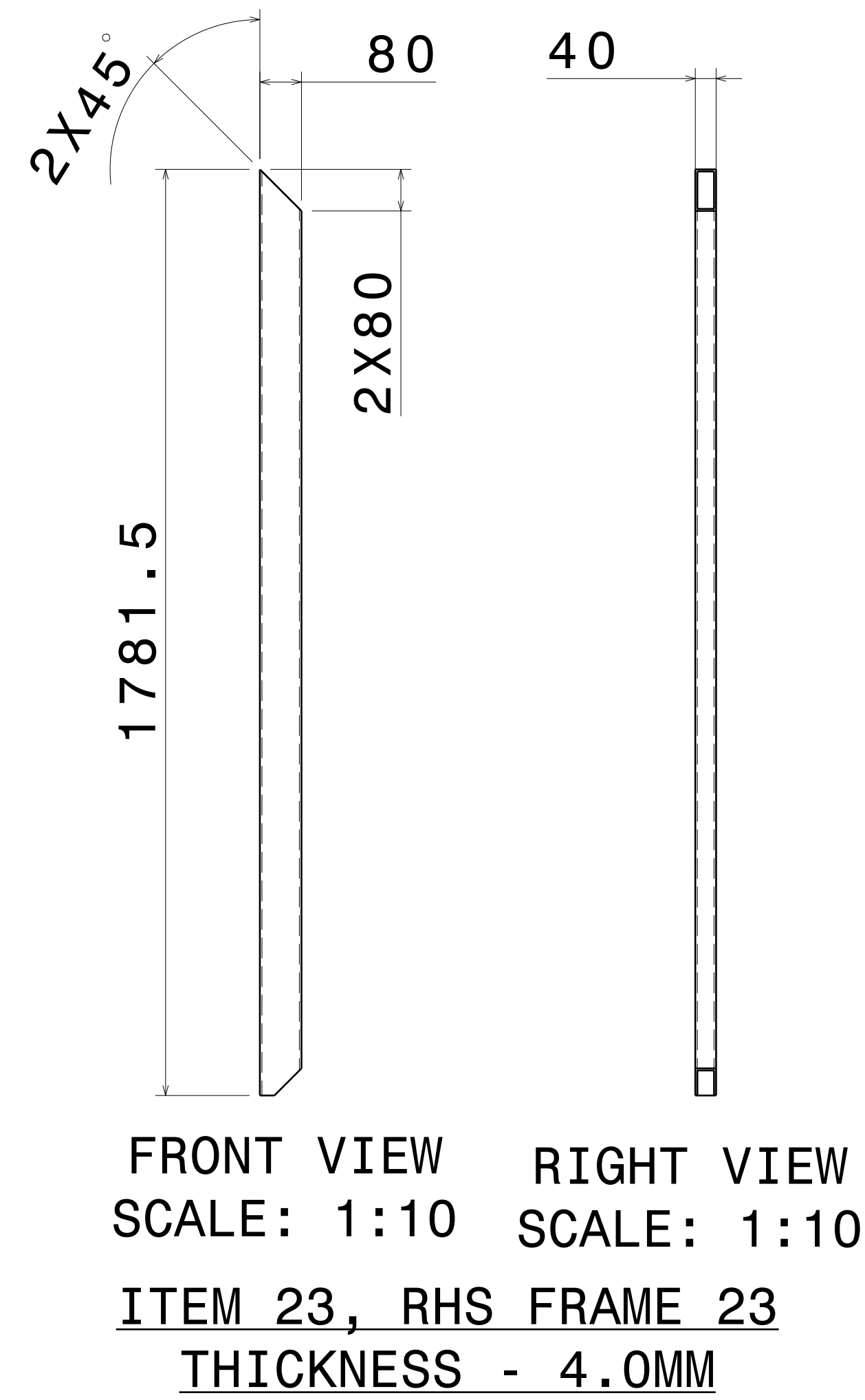


FRONT VIEW RIGHT VIEW
SCALE: 1:10 SCALE: 1:10
ITEM 22, RHS FRAME 22
THICKNESS - 4.0MM

UNLESS OTHERWISE SPECIFIED DIMENSION ARE IN MM
VIEWS: THIRD ANGLE PROJECTION

This drawing is our property. It can't be reproduced or communicated without our written agreement.		APL APOLLO TUBES LTD.	
DRAWN BY: SB		DRAWING TITLE: GATE 1	
CHECKED BY: P2P Analysis & Solutions		SIZE: A0	
DESIGNED BY: P2P Analysis & Solutions		DRAWING NUMBER: P2P MAR 21-05	
DATE: 27MARCH2021		REV: 00	
SCALE: NONE		WEIGHT (kg): XXX	
		SHEET 3 OF 4	

REV	DATE	DESCRIPTION
00	27MARCH2021	INITIAL REVISION



UNLESS OTHERWISE SPECIFIED DIMENSION ARE IN MM VIEWS: THIRD ANGLE PROJECTION

This drawing is our property. It can't be reproduced or communicated without our written agreement.		APL APOLLO TUBES LTD.	
DRAWN BY VM		DATE 27MARCH2021	
CHECKED BY P2P Analysis & Solutions		DATE 27MARCH2021	
DESIGNED BY P2P Analysis & Solutions		DATE 27MARCH2021	
DRAWING TITLE GATE 1		SIZE A0	DRAWING NUMBER P2P MAR 21-05
SCALE As Indicated		WEIGHT(kg) 0kg	REV 00
		SHEET 4 OF 4	