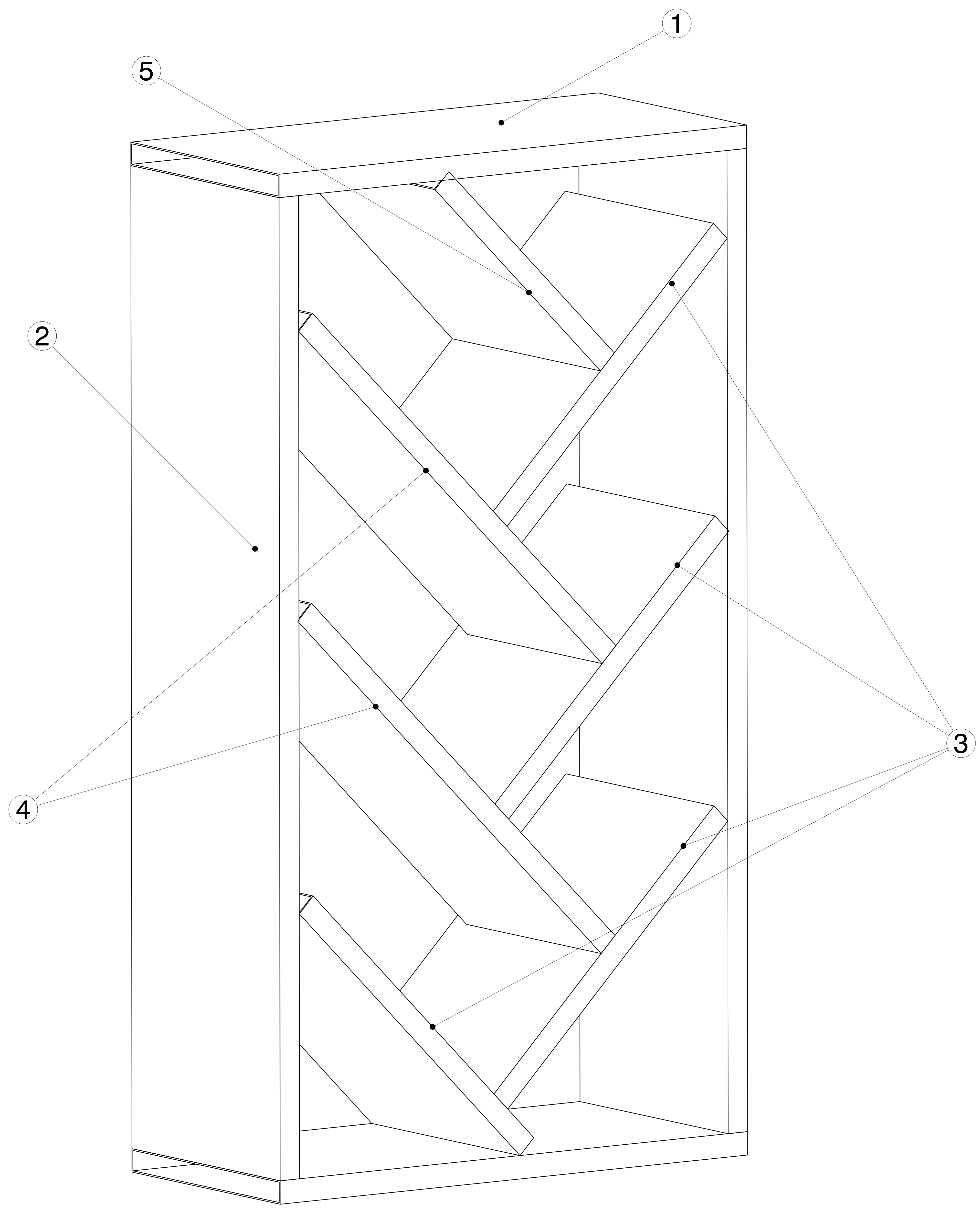



| REV | DATE      | DESCRIPTION      |
|-----|-----------|------------------|
| 00  | 26MAR2021 | INITIAL REVISION |

- NOTES:
- (⊥) ALL VERTICAL SUPPORTS ARE PERPENDICULAR.
  - FLATNESS OF .5MM IS APPLIED BY DEFAULT.
  - ⊞ WELD BEAD OF 2MM RADIUS IS FOLLOWED.
  - ▽▽ SURFACE FINISH MEDIUM TO SMOOTH IS USED.
  - ALL TUBES ARE AS PER APL APOLLO STANDARD. CHANGES MAY EFFECT THE LOAD CAPACITY.
  - ALL HORIZONTAL AND VERTICAL TUBES ARE PERPENDICULAR TO EACH OTHER WITH ±1 DEG.
  - FINE WELDING IS REQUIRED AS PER MENTIONED DETAILS AND FINISHING.
  - HIGHER CURRENT WELDING MAY AFFECT THE BRITTLENESS OF MATERIAL WHICH LATER MAY RAISE TO WEAKENING OF STRUCTURE.
  - FABRICATORS ARE ALLOWED TO USE FITTINGS/FRAMES/SUPPORTS AS NEEDED AND THE SAME MUST BE COMMUNICATED BACK TO ENGINEERING TEAM.
  - BOP COMPONENT WEIGHTS ARE FOR REFERENCE ONLY AND SUBJECTED TO CHANGE PER PURCHASED COMPONENTS.

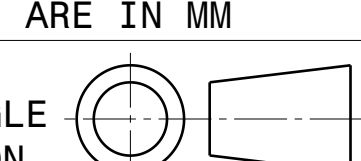


Isometric view  
Scale: 1:2

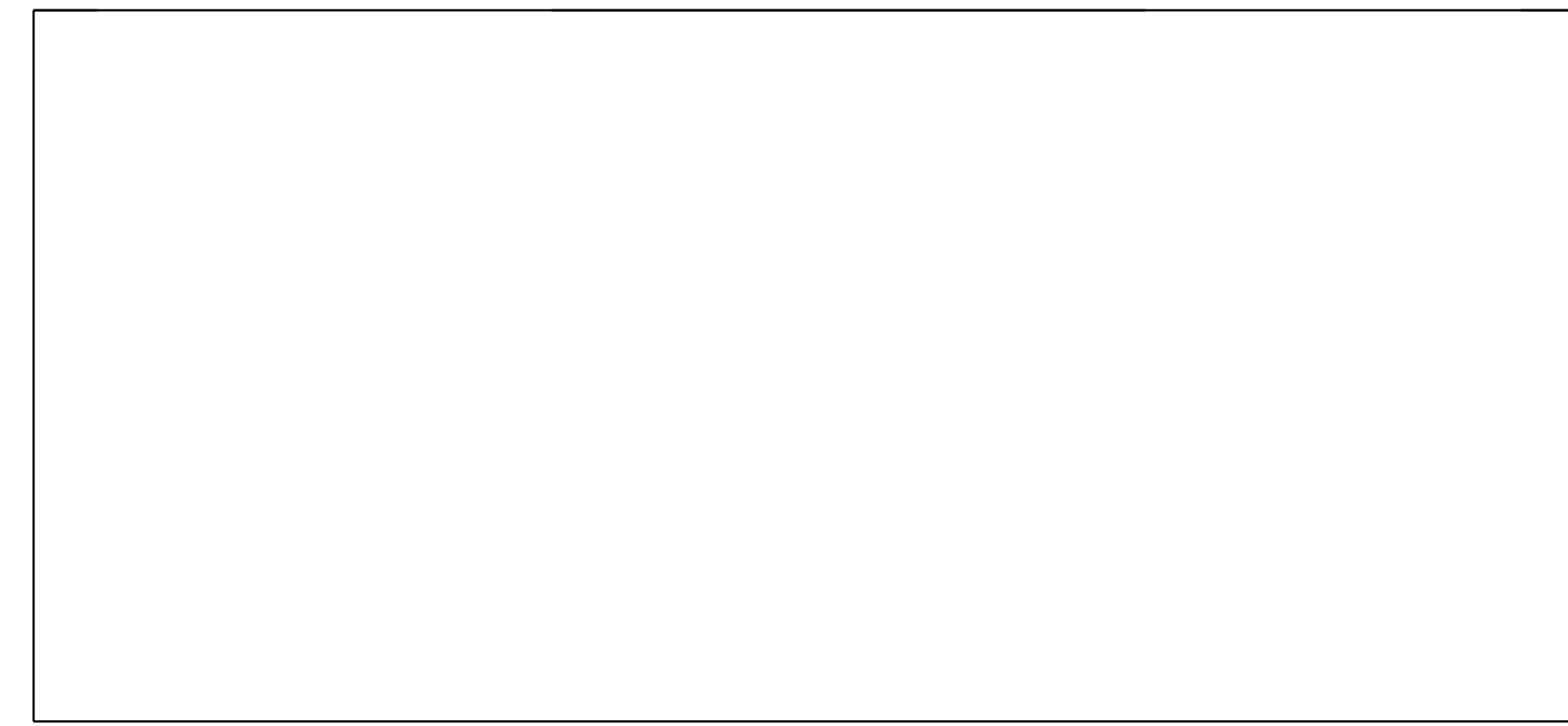
| ITEM NO. | PART NUMBER | DESCRIPTION           | QTY. | Wt (Kg)/Each |
|----------|-------------|-----------------------|------|--------------|
| 5        | PLANK 5     | 275 X 25 X 1.6 X 300  | 1    | 2.24         |
| 4        | PLANK 4     | 275 X 25 X 1.6 X 550  | 2    | 4.11         |
| 3        | PLANK 3     | 275 X 25 X 1.6 X 400  | 4    | 3            |
| 2        | PLANK 2     | 275 X 25 X 1.6 X 1050 | 2    | 7.84         |
| 1        | PLANK 1     | 275 X 25 X 1.6 X 600  | 2    | 4.48         |

|   |  |   |                                 |
|---|--|---|---------------------------------|
| This drawing is our property. It can't be reproduced or communicated without our written agreement. |  | APL APOLLO TUBES LTD.  |                                 |
| DRAWN BY<br>SB  |  | DATE<br>26MAR2021   |                                 |
| CHECKED BY<br>P2P Analysis & Solutions  |  | DATE<br>26MAR2021   |                                 |
| DESIGNED BY<br>P2P Analysis & Solutions   |  | DATE<br>26MAR2021   |                                 |
| DRAWING TITLE<br>BOOK STAND   |  | SIZE<br>A0  | DRAWING NUMBER<br>P2P MAR 21-06 |
| SCALE<br>As Indicated   |  | WEIGHT (kg)<br>0kg  | REV<br>00                       |
|   |  | SHEET 1 OF 3  |                                 |

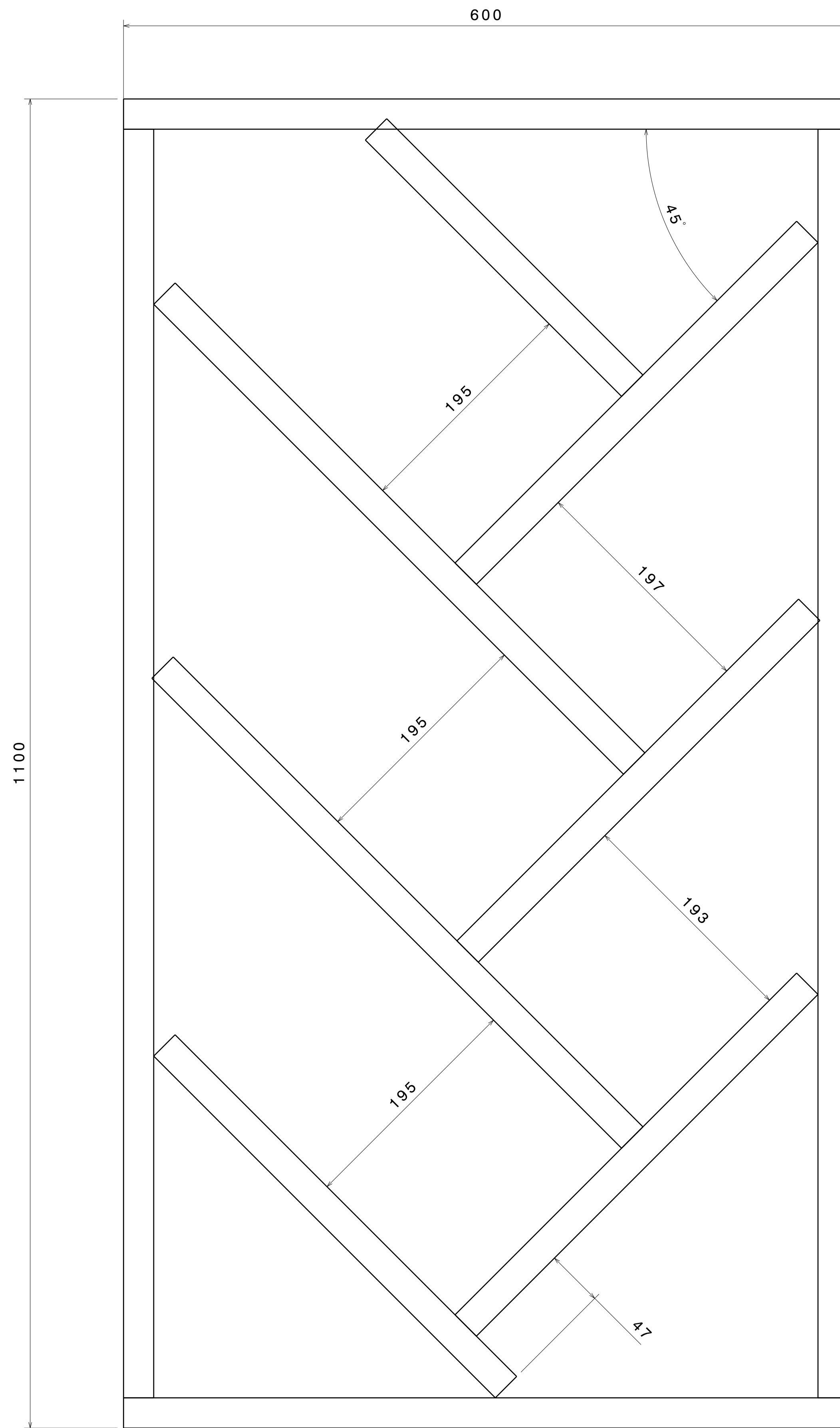
UNLESS OTHERWISE SPECIFIED DIMENSION ARE IN MM  
VIEWS: THIRD ANGLE PROJECTION



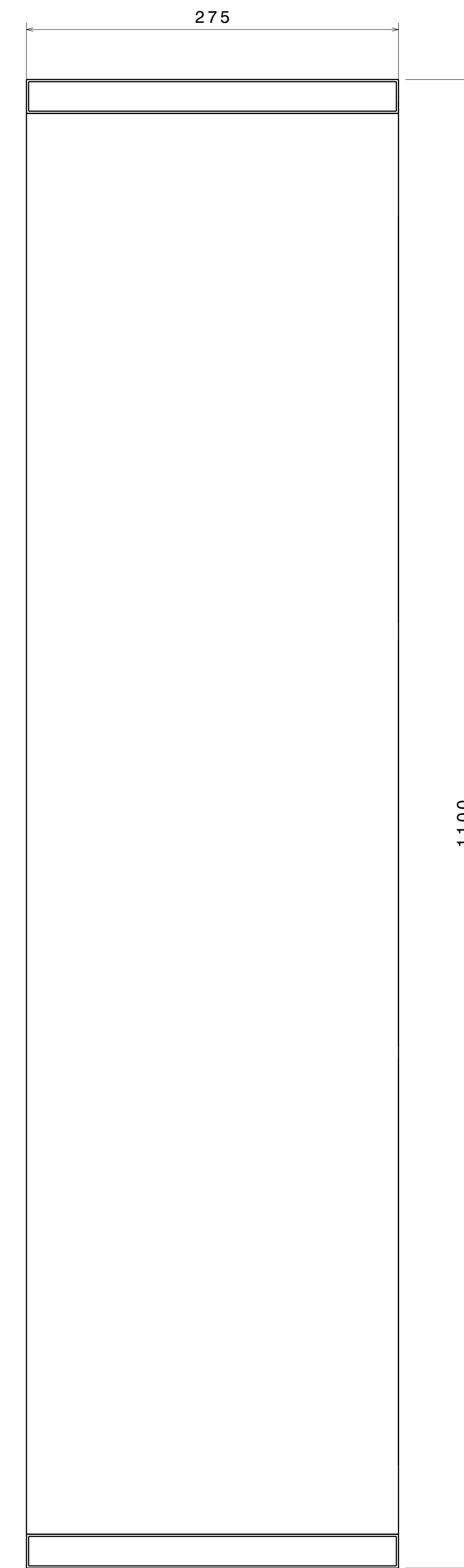
| REV | DATE      | DESCRIPTION      |
|-----|-----------|------------------|
| 00  | 26MAR2021 | INITIAL REVISION |



Top view  
Scale: 2:5



Front view  
Scale: 2:5

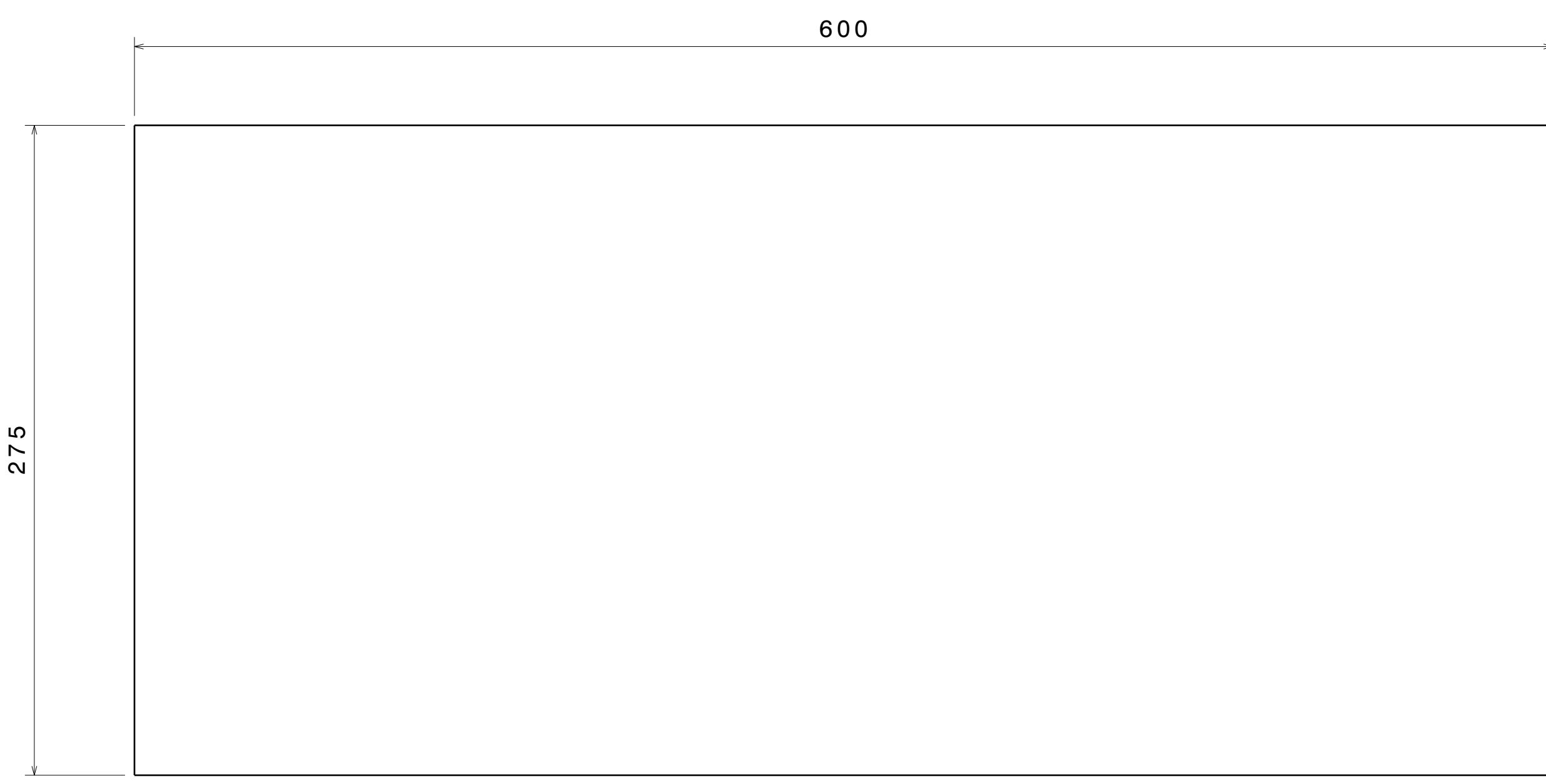


Right view  
Scale: 2:5

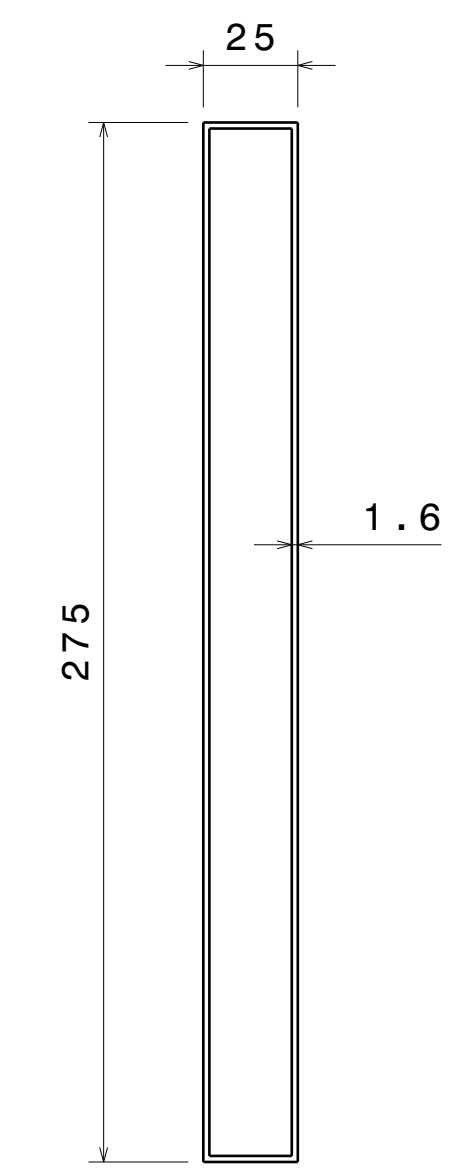
UNLESS OTHERWISE SPECIFIED DIMENSION ARE IN MM  
VIEWS: THIRD ANGLE PROJECTION

|   |  |                       |                                 |
|---|--|-----------------------|---------------------------------|
| This drawing is our property. It can't be reproduced or communicated without our written agreement. |  | APL APOLLO TUBES LTD. |                                 |
| DRAWN BY<br>SB  |  | DATE<br>26MAR2021     |                                 |
| CHECKED BY<br>P2P Analysis & Solutions  |  | DATE<br>26MAR2021     |                                 |
| DESIGNED BY<br>P2P Analysis & Solutions   |  | DATE<br>26MAR2021     |                                 |
| DRAWING TITLE<br>BOOK STAND   |  | SIZE<br>A0            | DRAWING NUMBER<br>P2P MAR 21-06 |
| SCALE<br>NONE   |  | WEIGHT (kg)<br>XXX    | REV<br>00                       |
|   |  | SHEET 2 OF 3          |                                 |

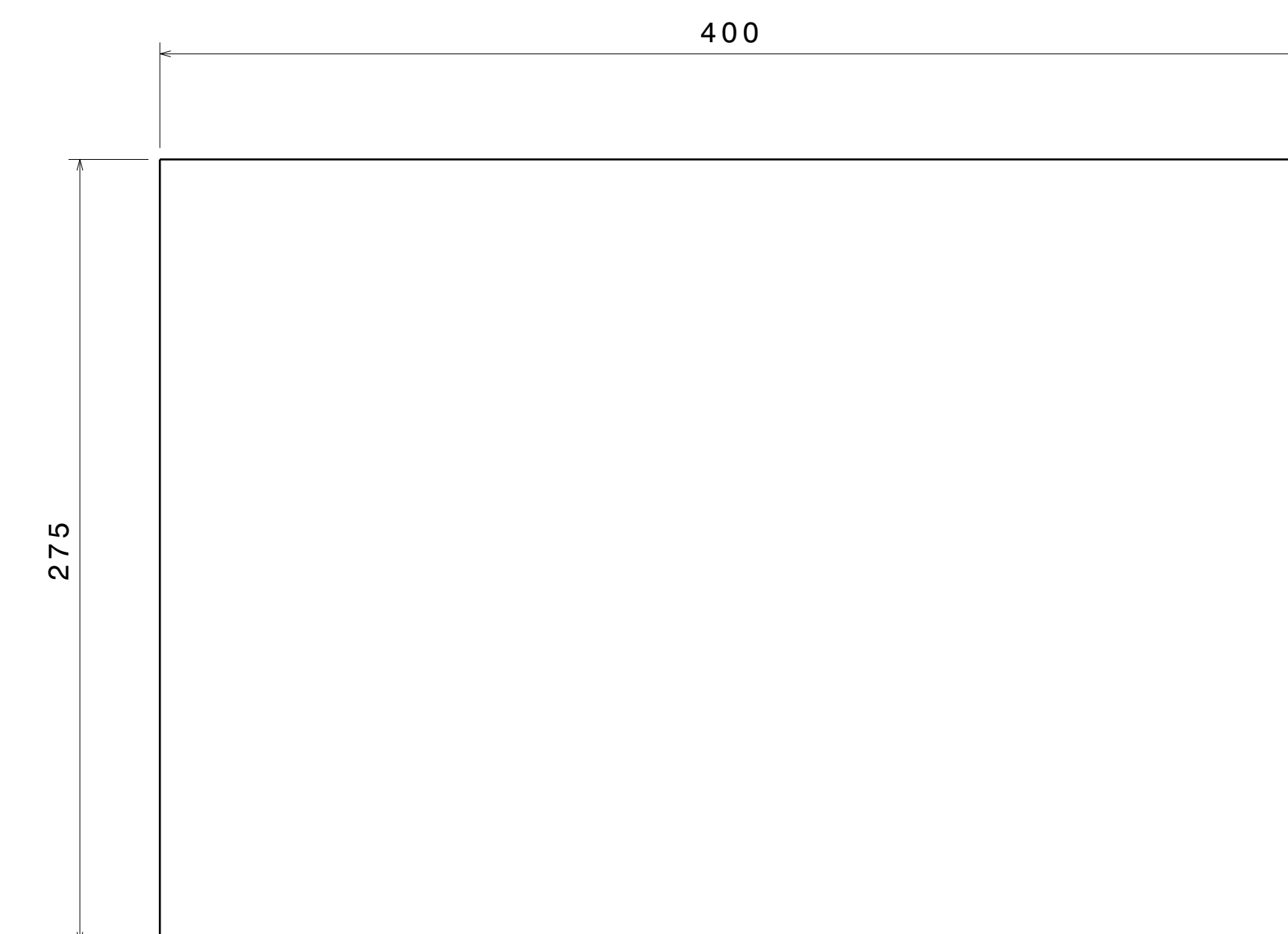
| REV | DATE      | DESCRIPTION      |
|-----|-----------|------------------|
| 00  | 26MAR2021 | INITIAL REVISION |



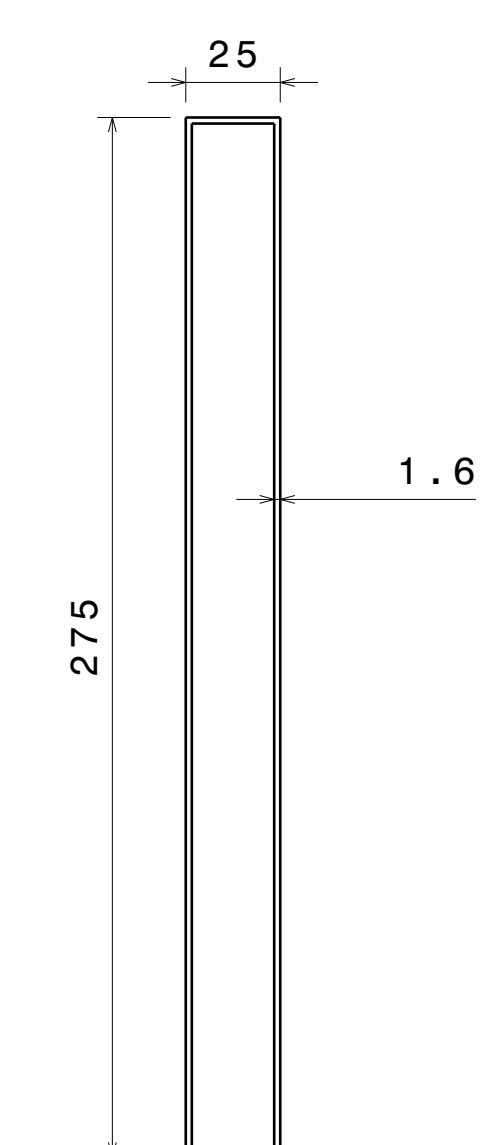
ITEM 1



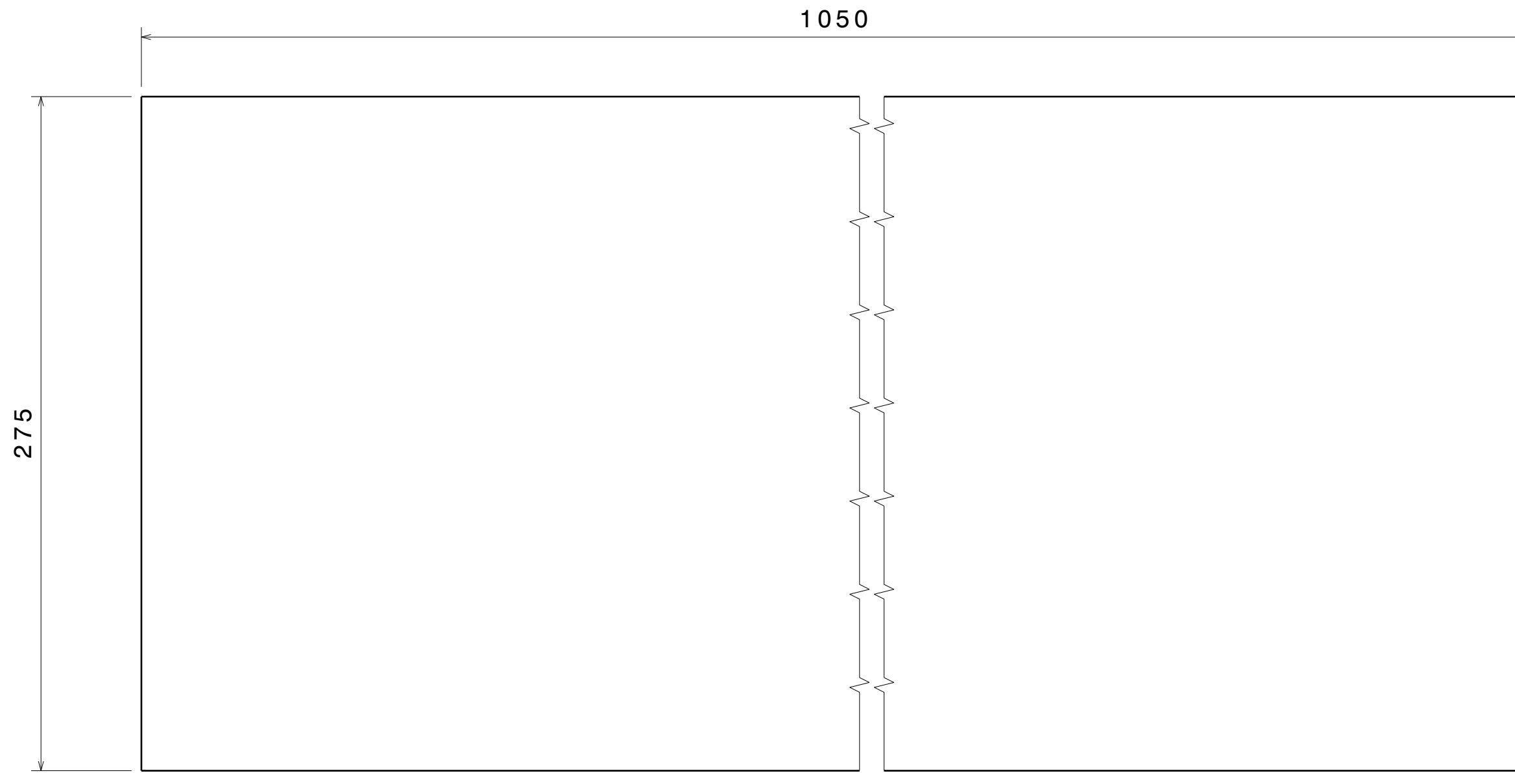
Right view  
Scale: 1:2



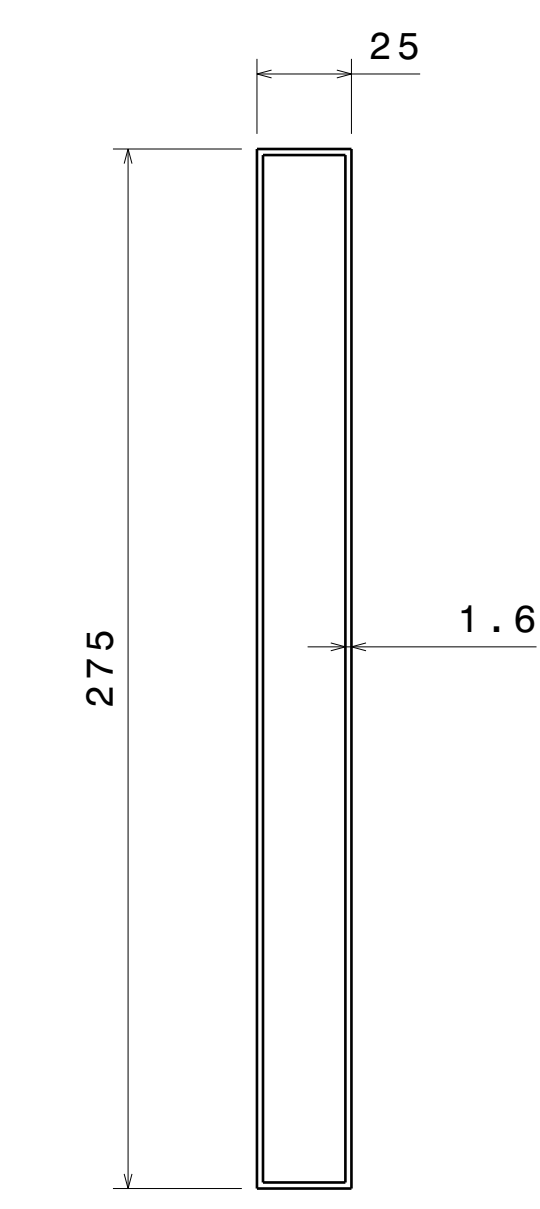
ITEM 3



Right view  
Scale: 1:2



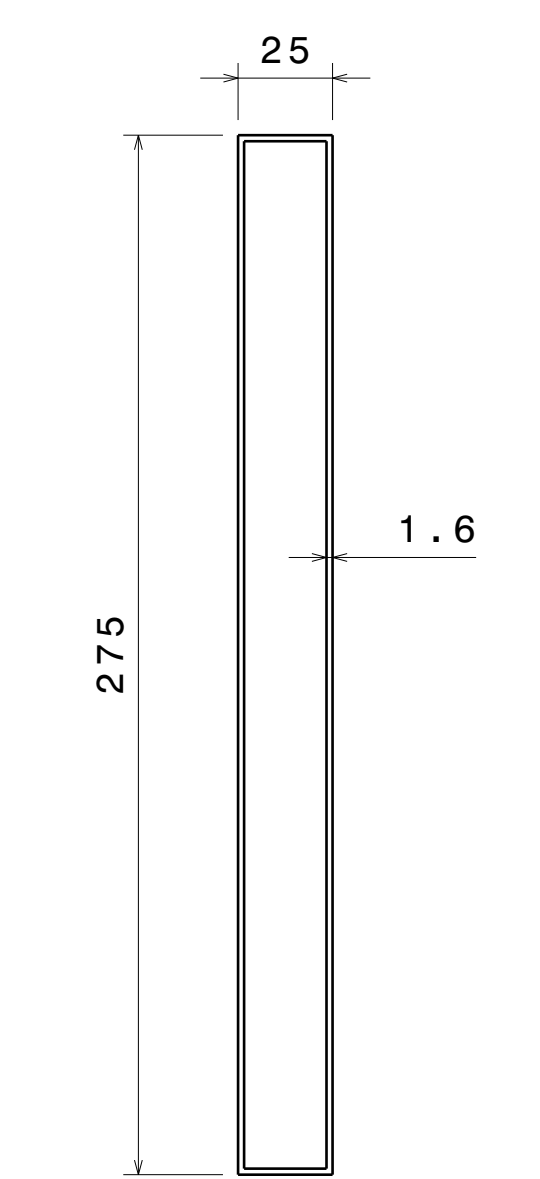
ITEM 2



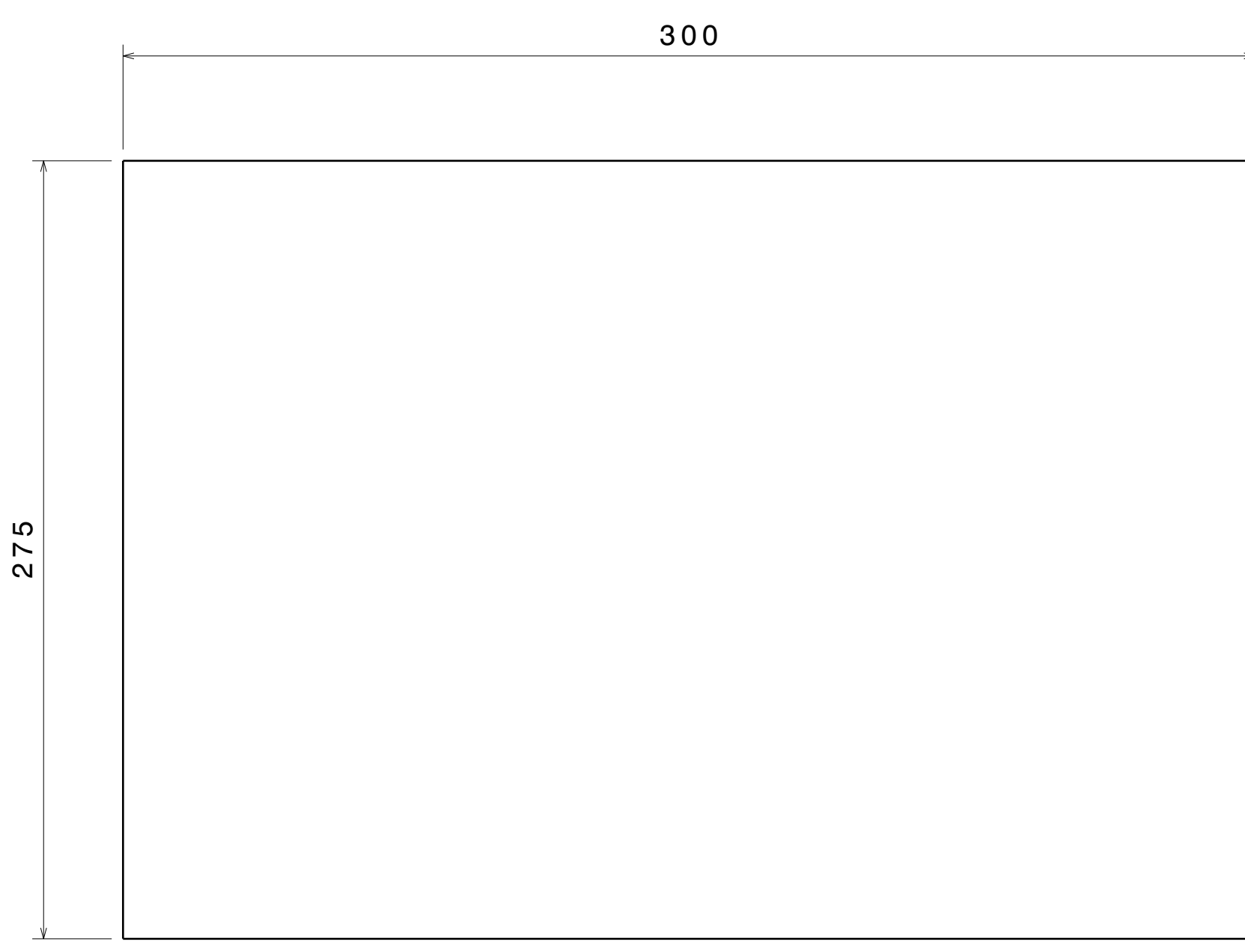
Right view  
Scale: 1:2



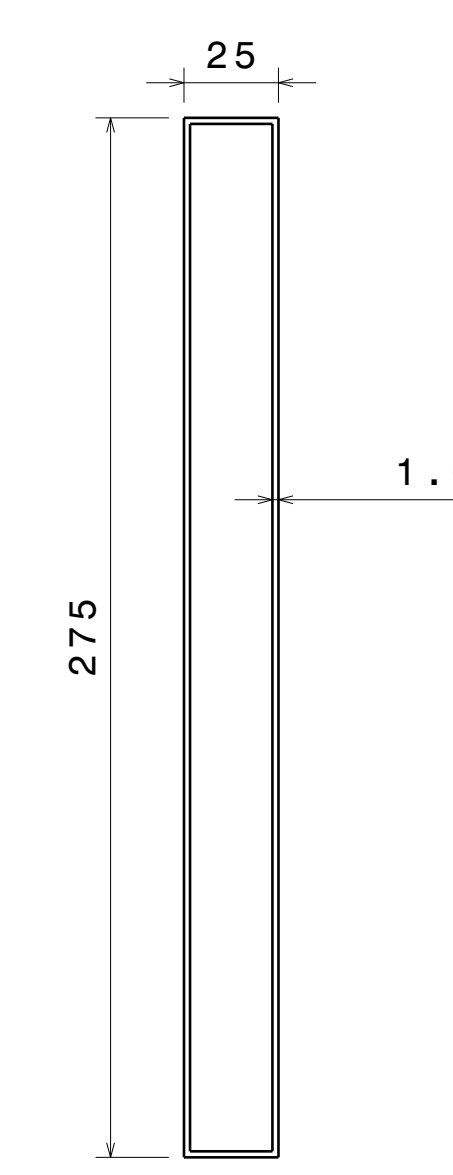
ITEM 4




Right view[2]  
Scale: 1:2



ITEM 5



Right view[3]  
Scale: 1:2

|   |  |   |                                 |
|---|--|---|---------------------------------|
| This drawing is our property. It can't be reproduced or communicated without our written agreement. |  | APL APOLLO TUBES LTD.  |                                 |
| DRAWN BY<br>SB  |  | DATE<br>26MAR2021   |                                 |
| CHECKED BY<br>P2P Analysis & Solutions  |  | DATE<br>26MAR2021   |                                 |
| DESIGNED BY<br>P2P Analysis & Solutions   |  | DATE<br>26MAR2021   |                                 |
| DRAWING TITLE<br>BOOK STAND   |  | SIZE<br>A0  | DRAWING NUMBER<br>P2P MAR 21-06 |
| SCALE<br>NONE   |  | WEIGHT (kg)<br>XXX  | REV<br>00                       |
|   |  | SHEET 3 OF 3  |                                 |

UNLESS OTHERWISE SPECIFIED DIMENSION ARE IN MM  
VIEWS: THIRD ANGLE PROJECTION

