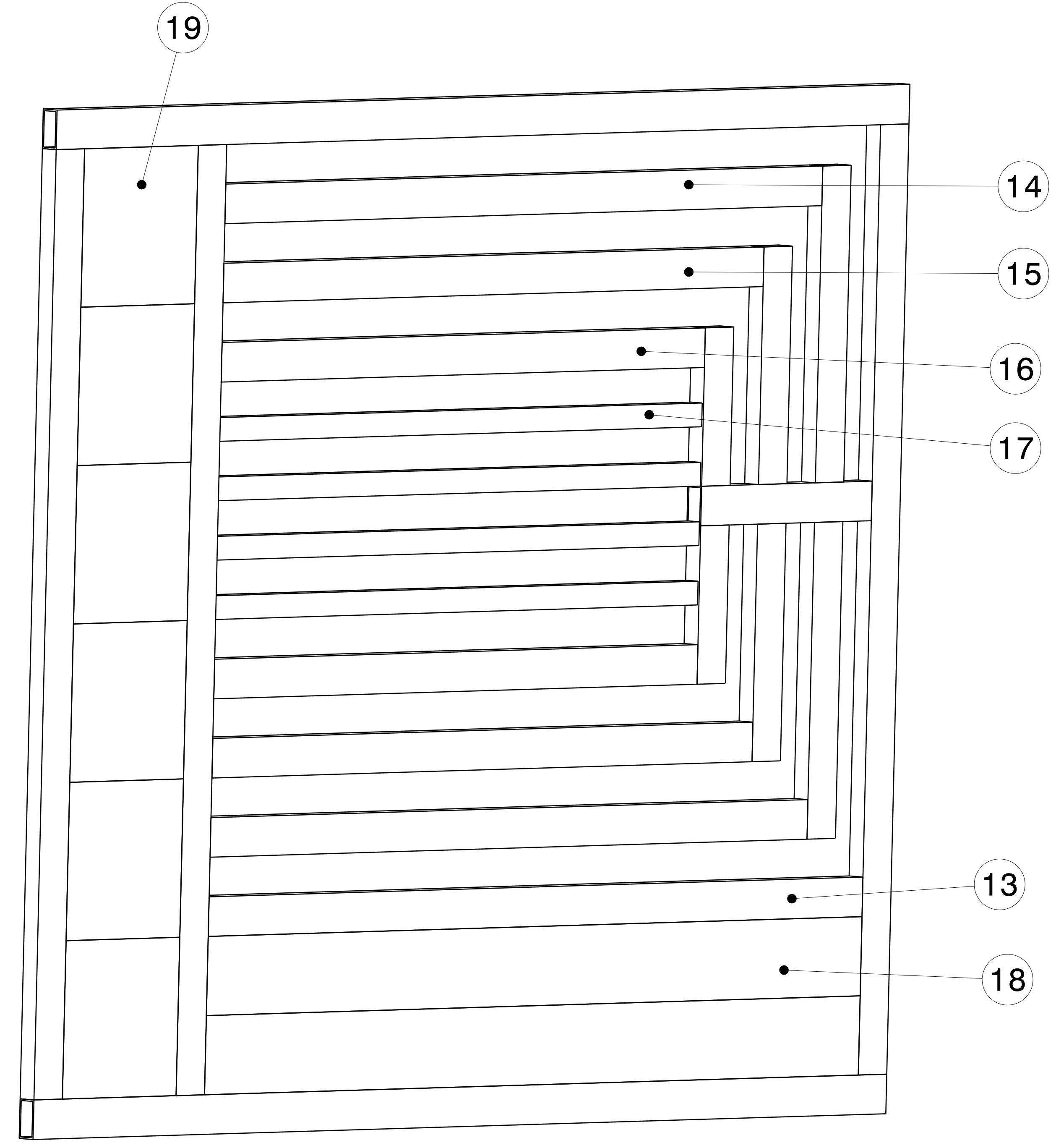
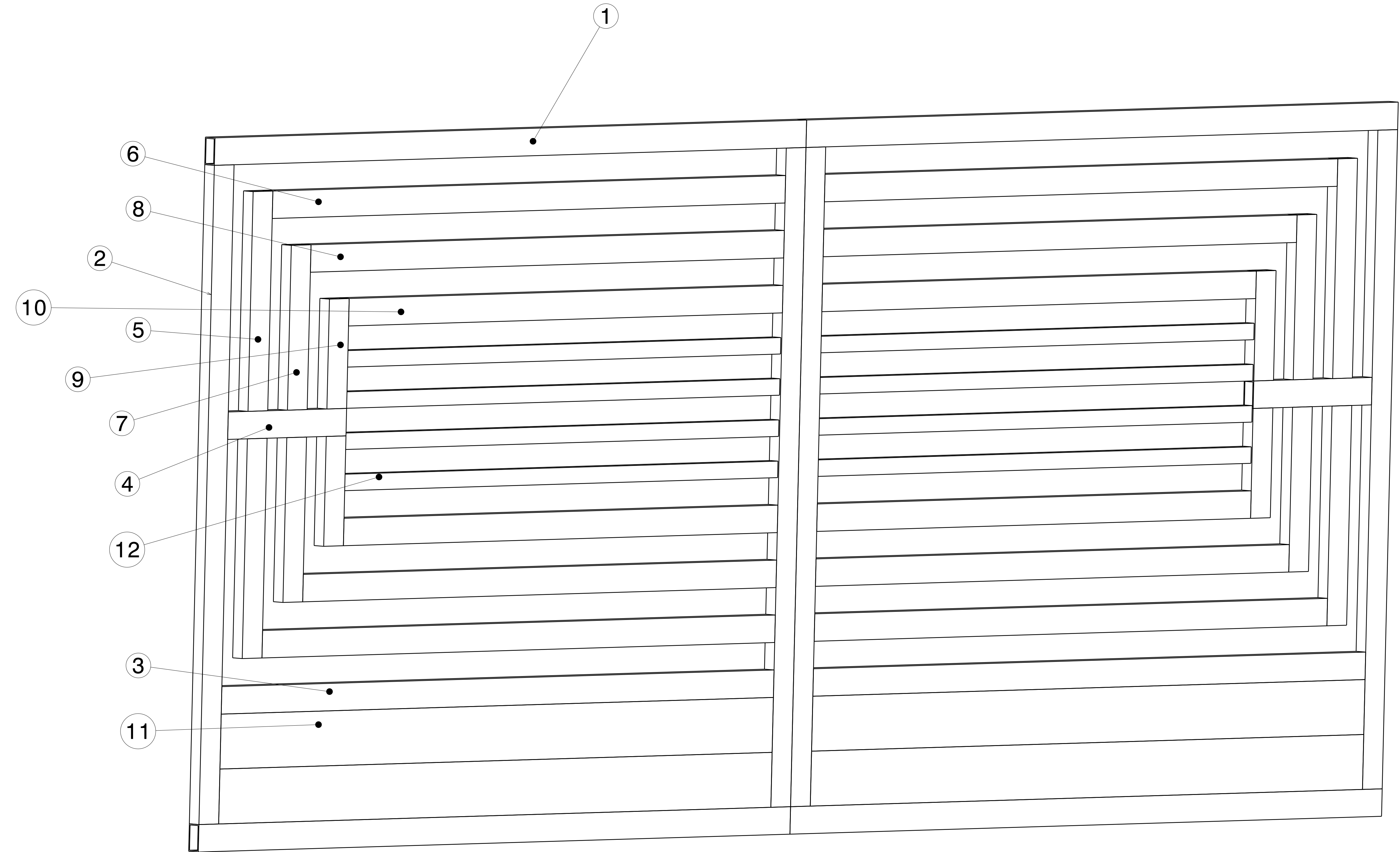


REV/DATE	DESCRIPTION
00 12MAR2021	INITIAL REVISION

- NOTES:
- (⊥) ALL VERTICAL SUPPORTS ARE PERPENDICULAR.
 - FLATNESS OF .5MM IS APPLIED BY DEFAULT.
 - ⊥ WELD BEAD OF 2MM RADIUS IS FOLLOWED.
 - ▽▽ SURFACE FINISH MEDIUM TO SMOOTH IS USED.
 - ALL TUBES ARE AS PER APL APOLLO STANDARD. CHANGES MAY EFFECT THE LOAD CAPACITY.
 - ALL HORIZONTAL AND VERTICAL TUBES ARE PERPENDICULAR TO EACH OTHER WITH ±1 DEG.
 - FINE WELDING IS REQUIRED AS PER MENTIONED DETAILS AND FINISHING.
 - HIGHER CURRENT WELDING MAY AFFECT THE BRITTLNESS OF MATERIAL WHICH LATER MAY RAISE TO WEAKENING OF STRUCTURE.
 - FABRICATORS ARE ALLOWED TO USE FITTINGS/FRAMES/SUPPORTS AS NEEDED AND THE SAME MUST BE COMMUNICATED BACK TO ENGINEERING TEAM.
 - BOP COMPONENT WEIGHTS ARE FOR REFERENCE ONLY AND SUBJECTED TO CHANGE PER PURCHASED COMPONENTS.



Isometric view

ITEM NO.	PART NUMBER	DESCRIPTION	QTY.	Wt (Kg)/Each
19	PLANK 3	200 X 25 X 1.6 X 200	6	1.12
18	PLANK 2	100 X 25 X 1.6 X 1150	2	3.50
17	RHS FRAME 16	30 X 20 X 2 X 850	12	1.20
16	RHS FRAME 15	50 X 25 X 2 X 850	2	1.90
15	RHS FRAME 14	50 X 25 X 2 X 950	2	2.15
14	RHS FRAME 13	50 X 25 X 2 X 1050	2	2.35
13	RHS FRAME 12	50 X 25 X 2 X 1150	1	2.25
12	RHS FRAME 11	30 X 20 X 2 X 1100	8	1.60
11	PLANK 1	100 X 25 X 1.6 X 1400	4	4.30
10	RHS FRAME 10	50 X 25 X 2 X 1100	1	0.97
9	RHS FRAME 9	50 X 25 X 2 X 200	6	0.45
8	RHS FRAME 8	50 X 25 X 2 X 1200	4	2.70
7	RHS FRAME 7	50 X 25 X 2 X 300	6	0.70
6	RHS FRAME 6	50 X 25 X 2 X 1300	4	2.90
5	RHS FRAME 5	50 X 25 X 2 X 400	6	0.90
4	RHS FRAME 4	50 X 25 X 2 X 300	3	0.70
3	RHS FRAME 3	50 X 25 X 2 X 1400	2	3.15
2	RHS FRAME 2	50 X 25 X 2 X 1200	7	2.70
1	RHS FRAME 1	50 X 25 X 2 X 1500	6	3.35

This drawing is our property. It can't be reproduced or communicated without our written agreement.

APL APOLLO TUBES LTD.

DRAWING TITLE: **GATE**

SCALE: **As Indicated** WEIGHT (kg): **0kg** SHEET **1 OF 3**

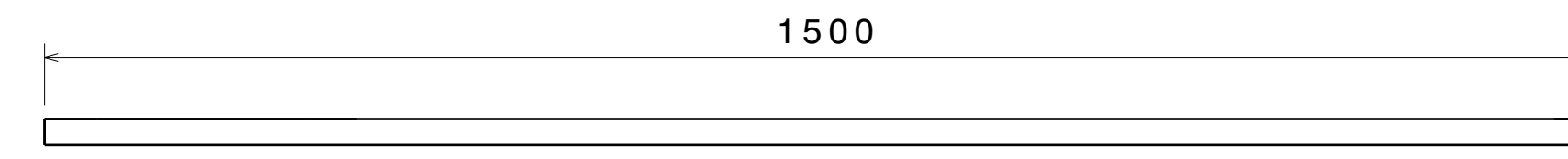
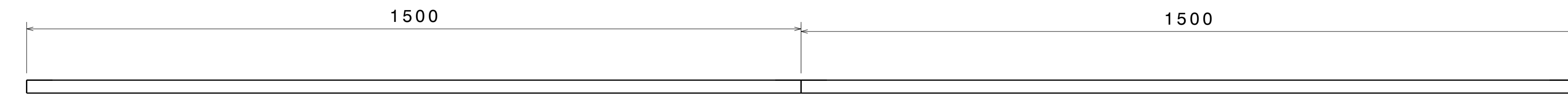
DESIGNED BY: **P2P Analysis & Solutions** DATE: **12MAR2021**

CHECKED BY: **P2P Analysis & Solutions** DATE: **12MAR2021**

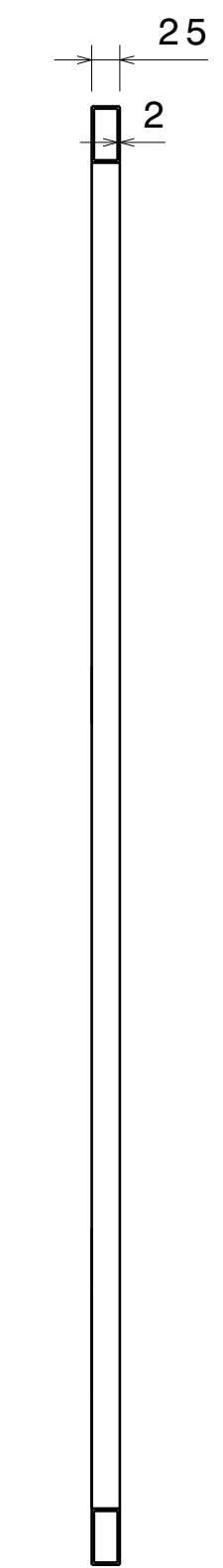
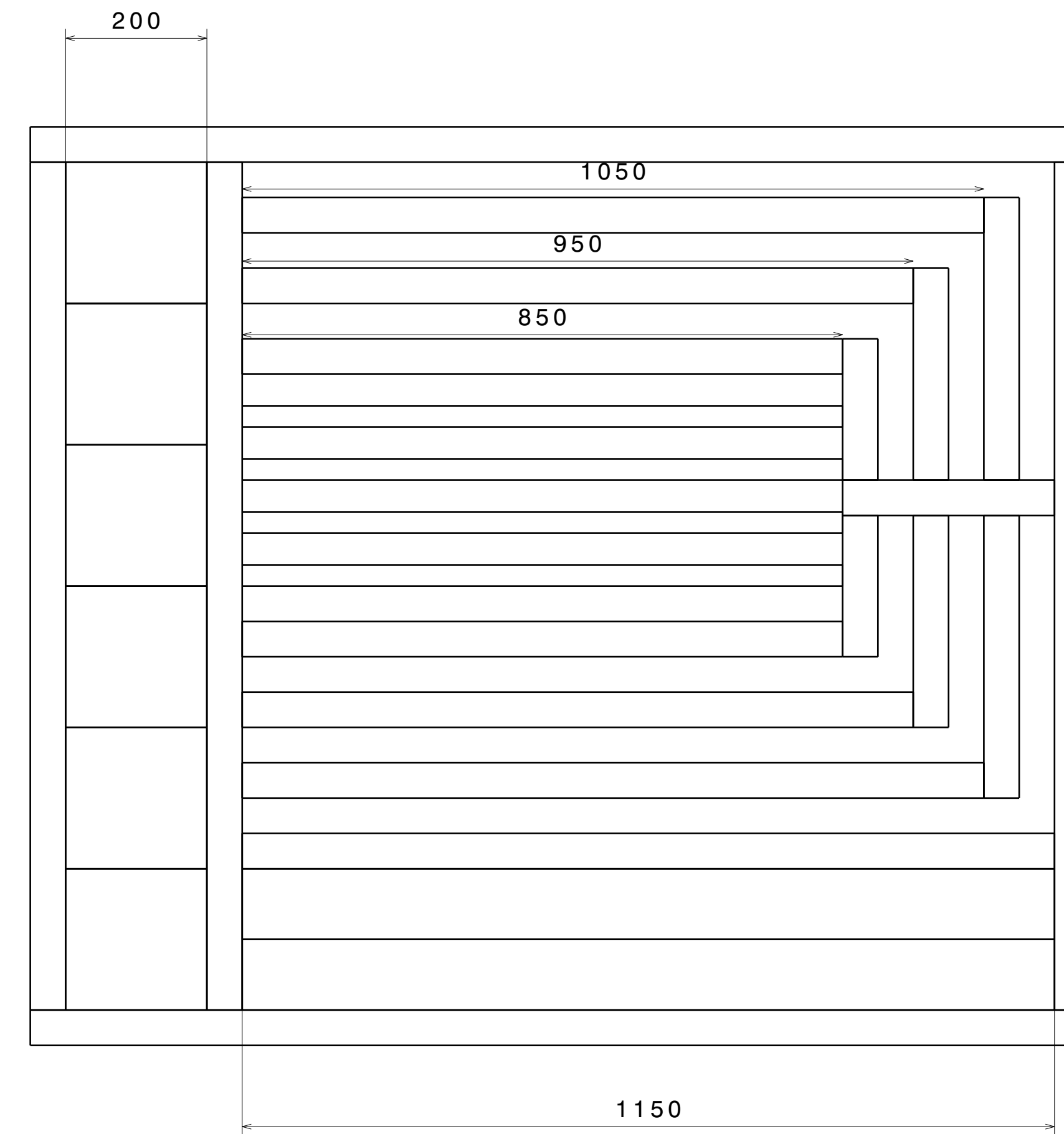
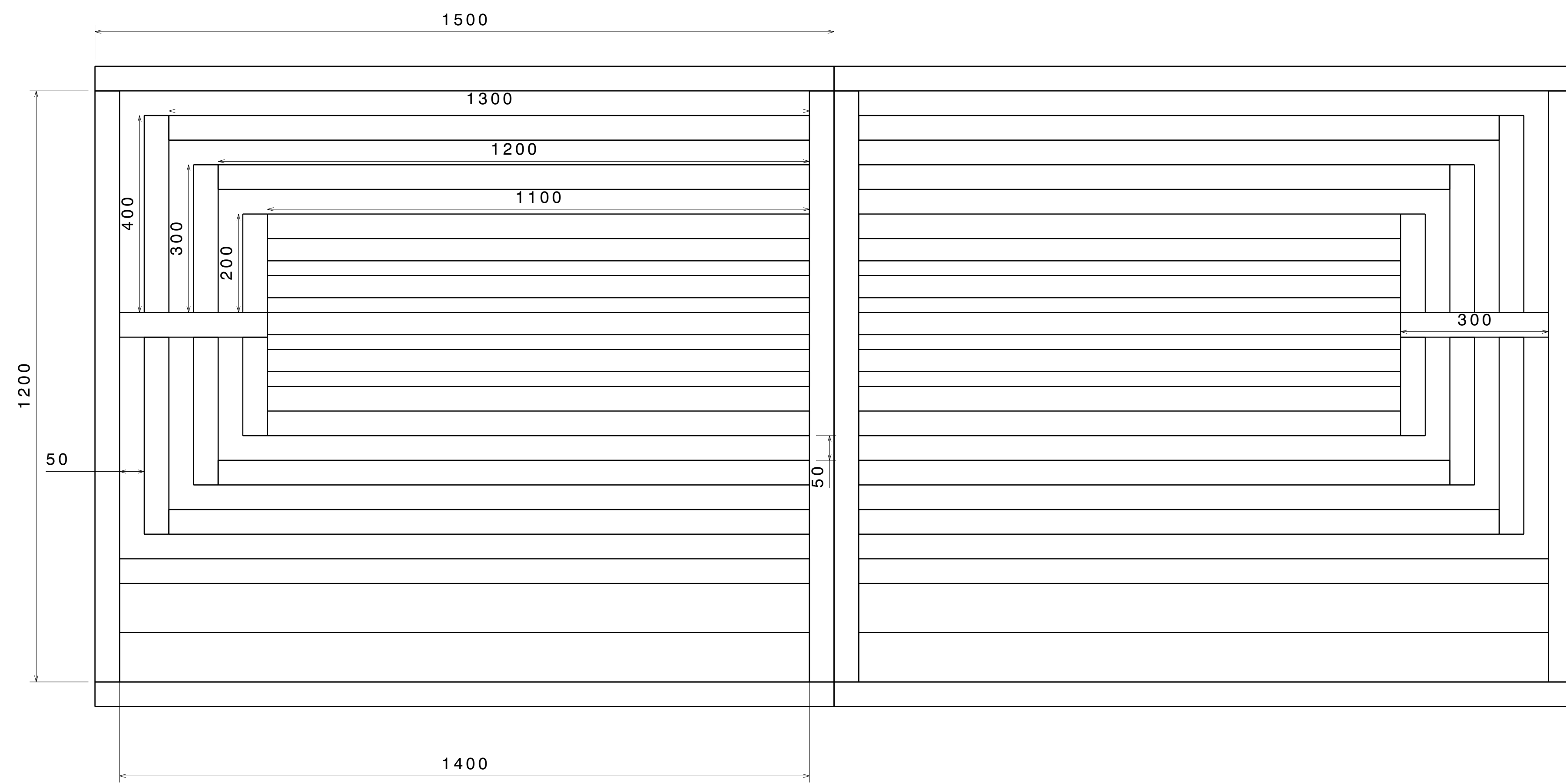
DRAWN BY: **RR** DATE: **12MAR2021**

UNLESS OTHERWISE SPECIFIED DIMENSION ARE IN MM VIEWS: THIRD ANGLE PROJECTION

REV	DATE	DESCRIPTION
00	12MAR2021	INITIAL REVISION



Top view
Scale: 3:20



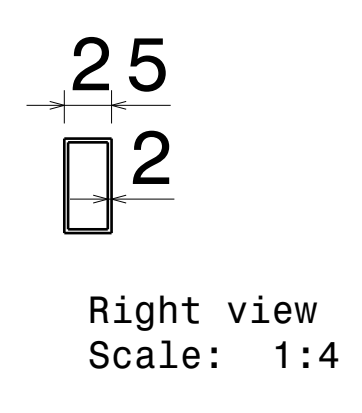
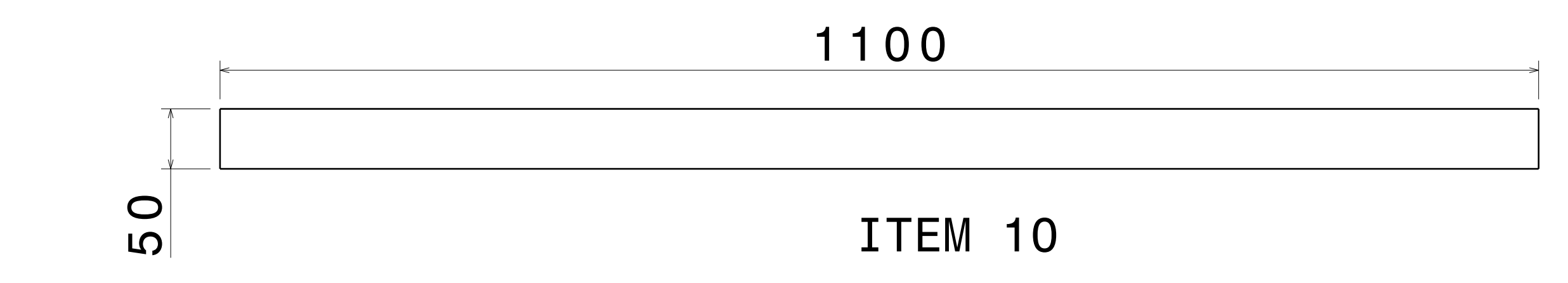
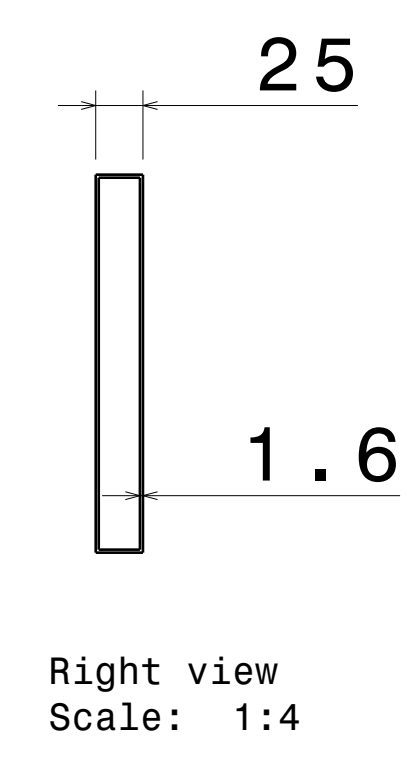
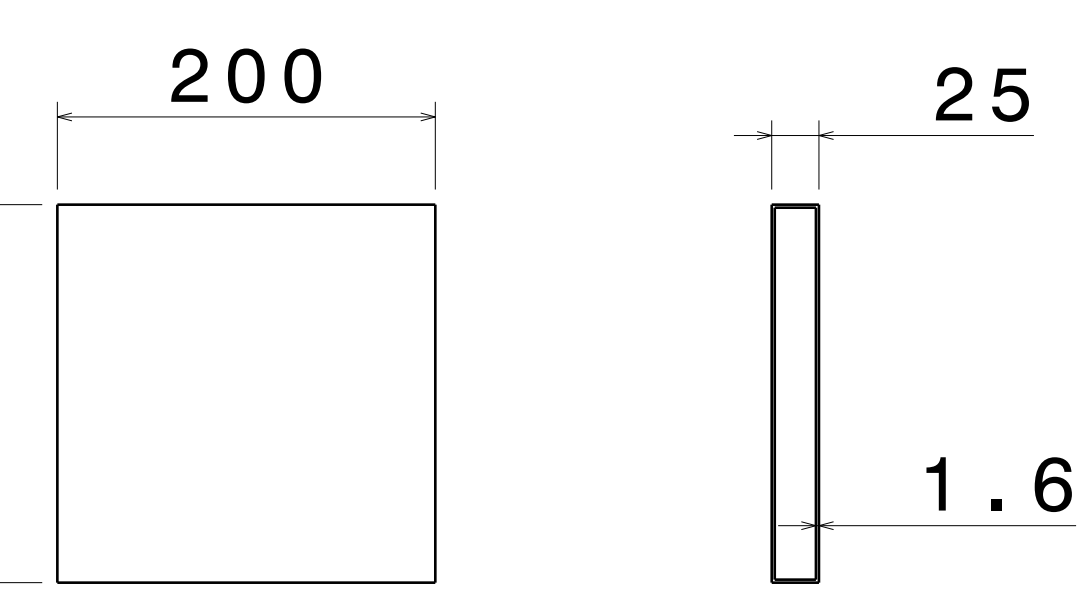
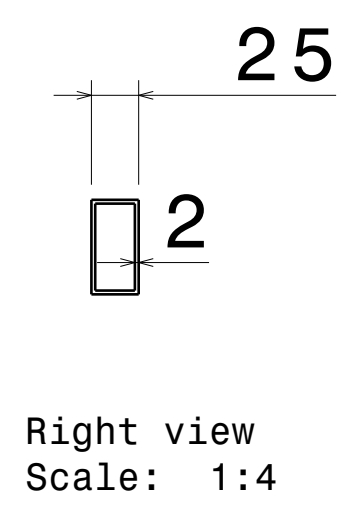
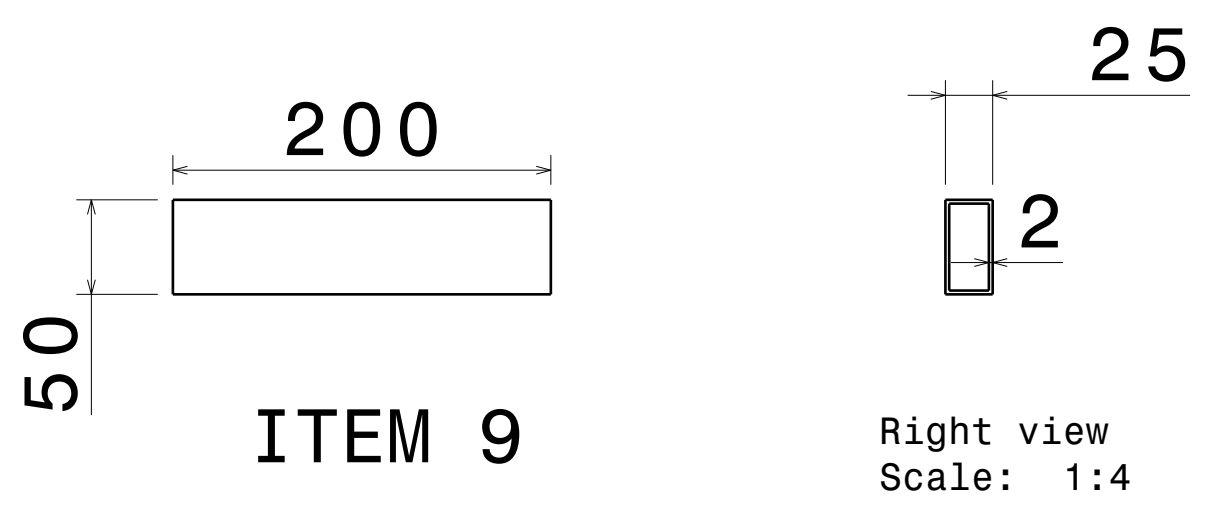
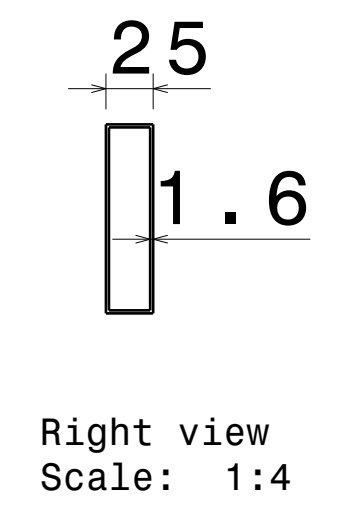
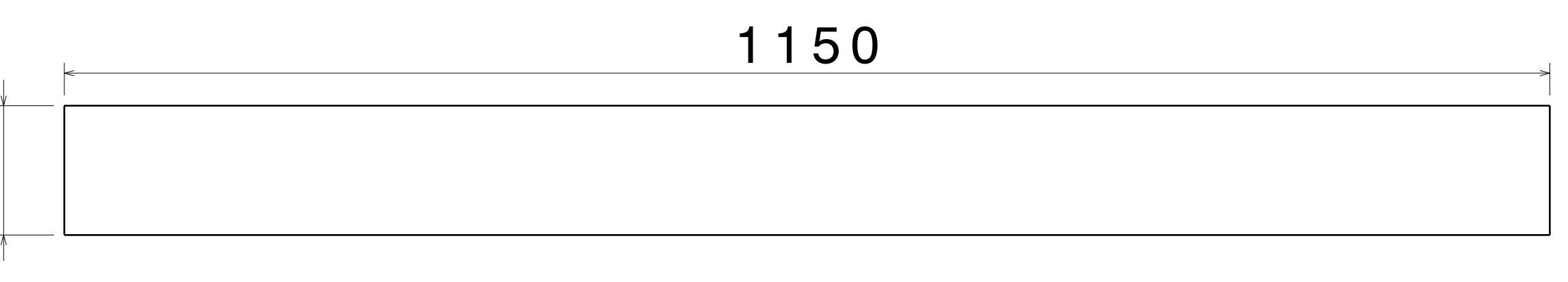
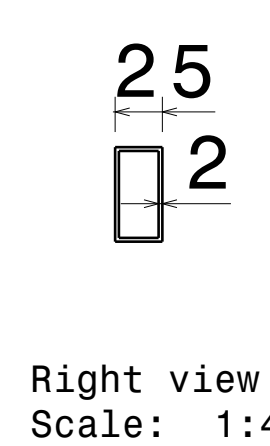
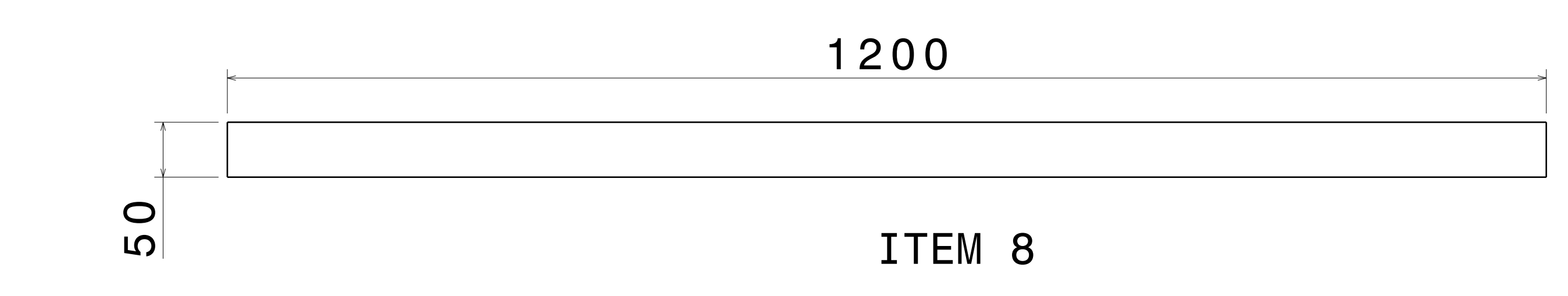
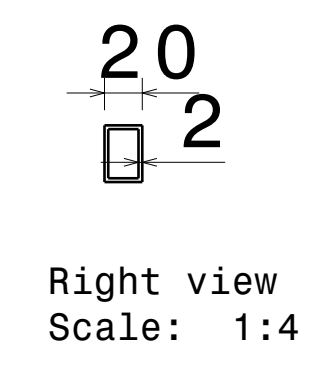
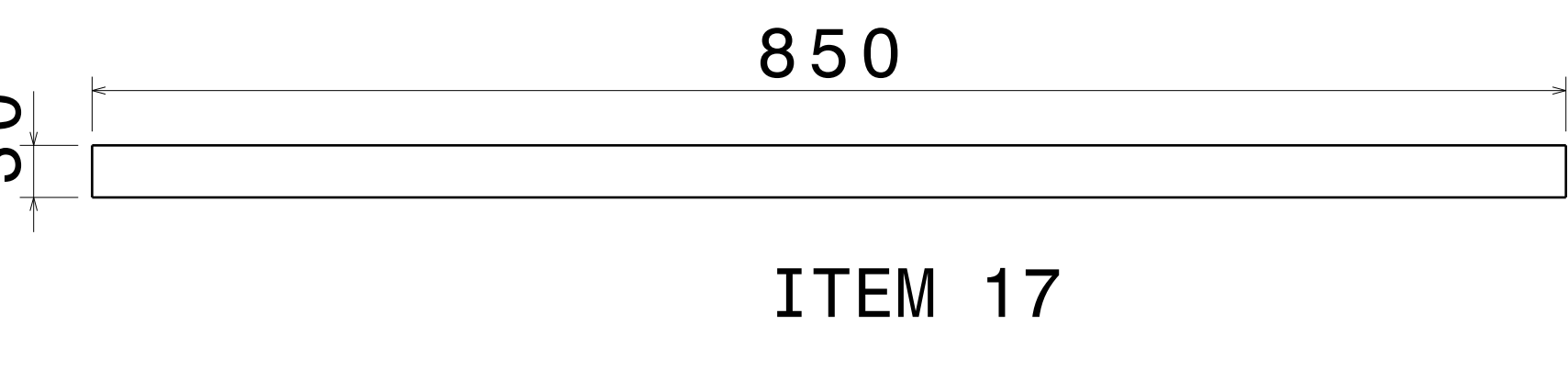
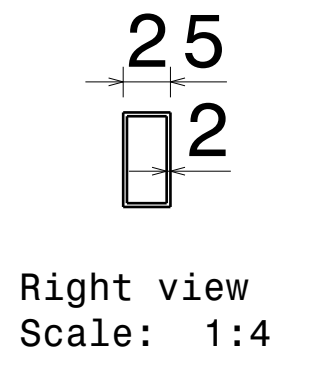
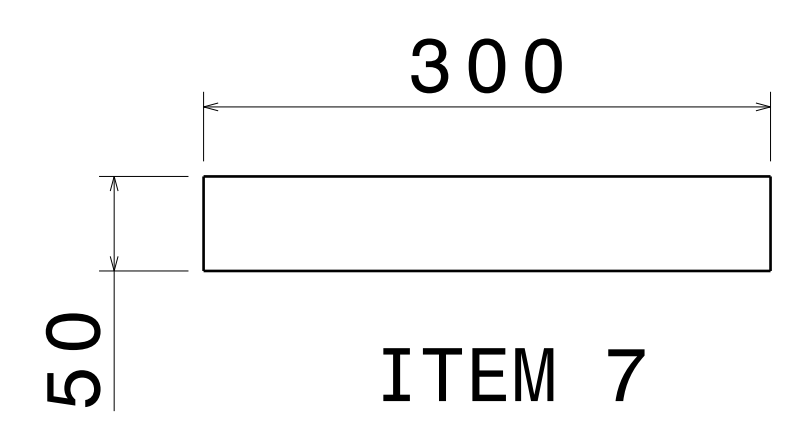
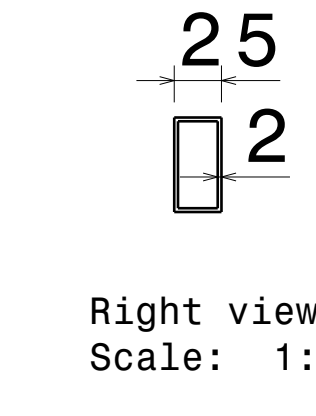
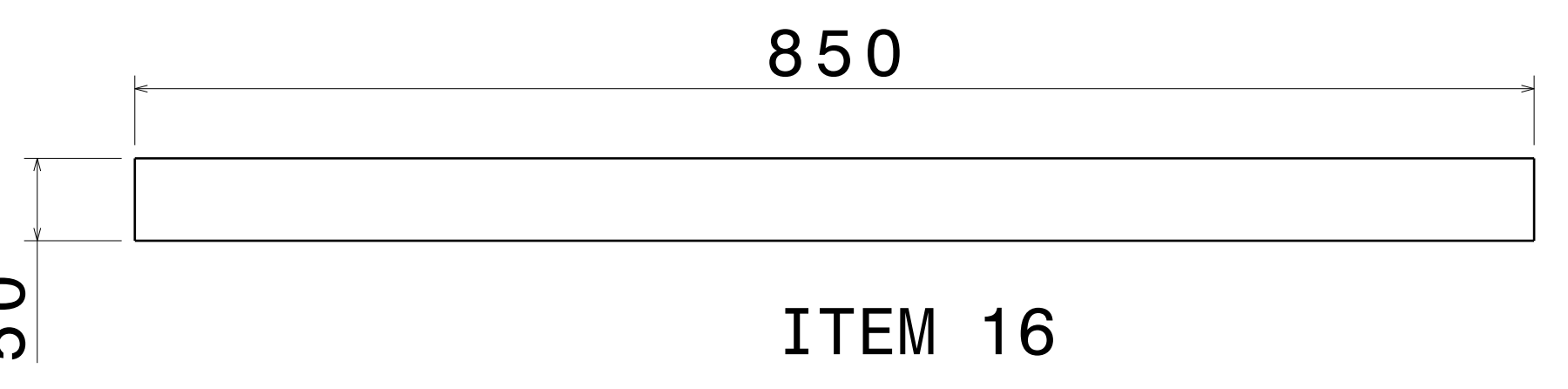
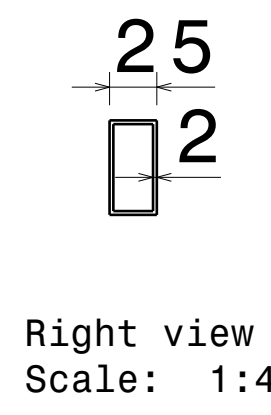
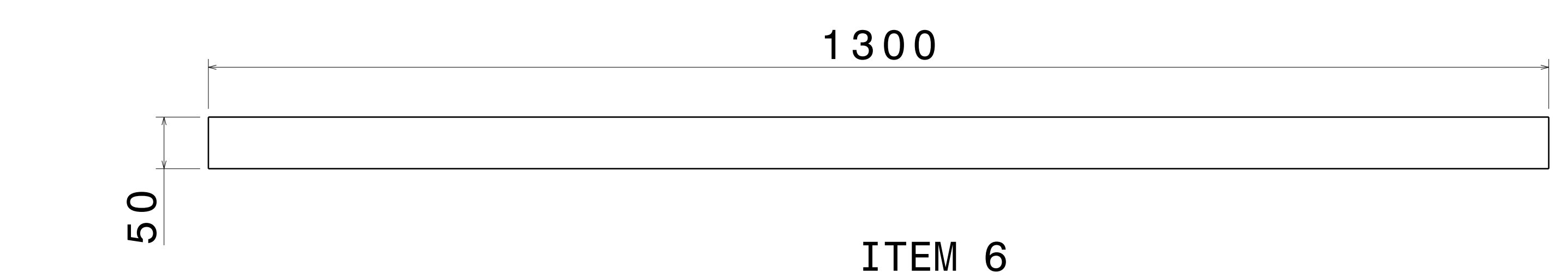
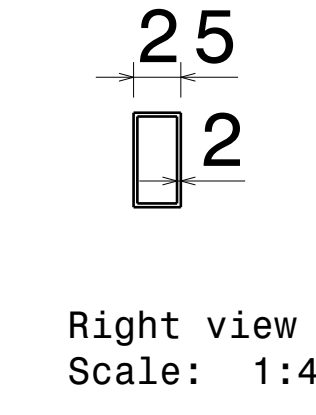
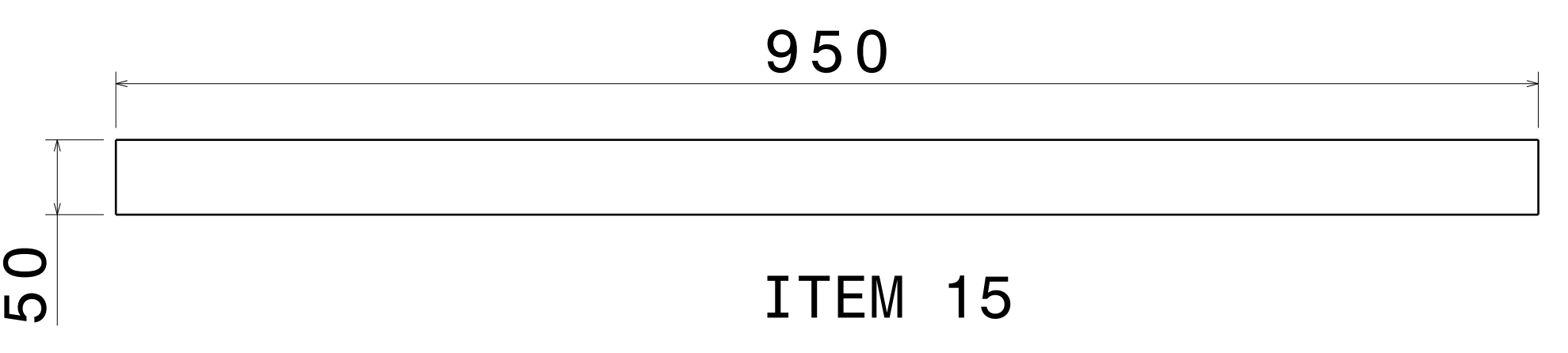
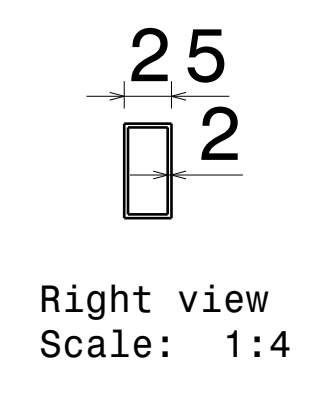
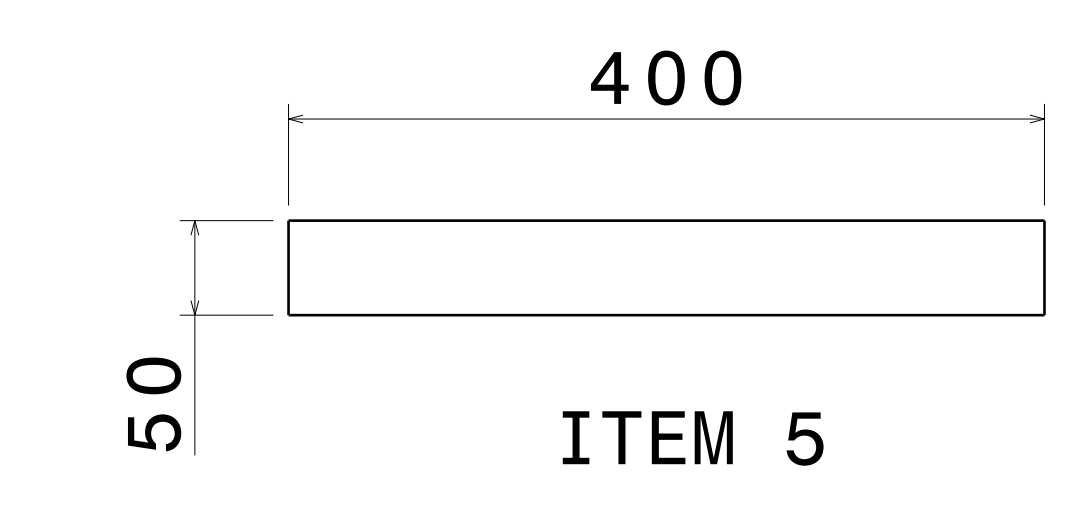
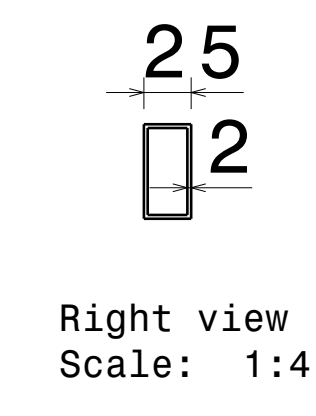
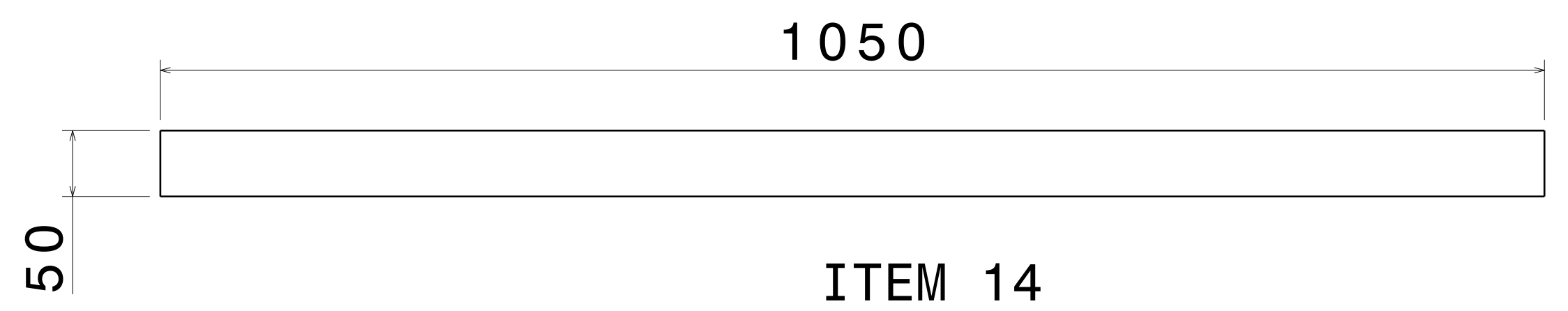
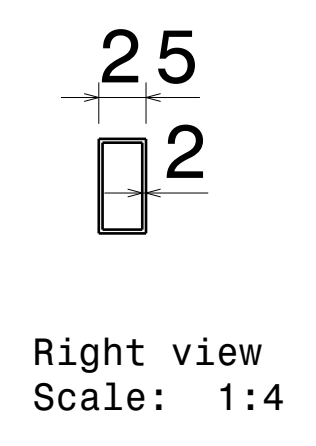
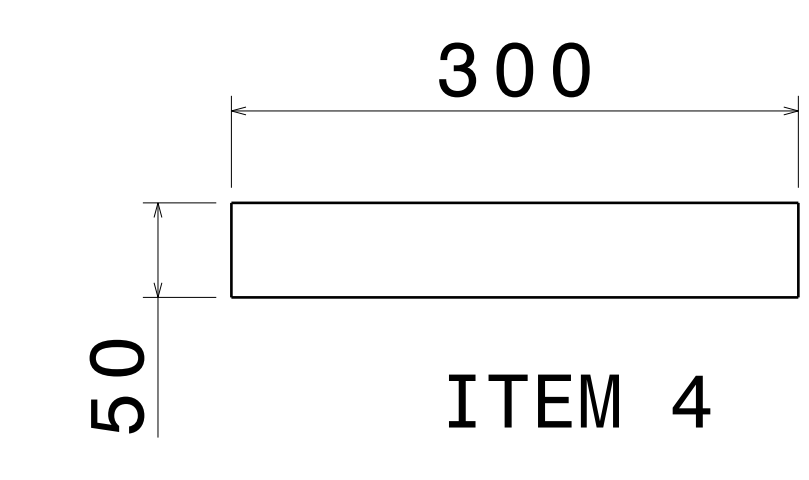
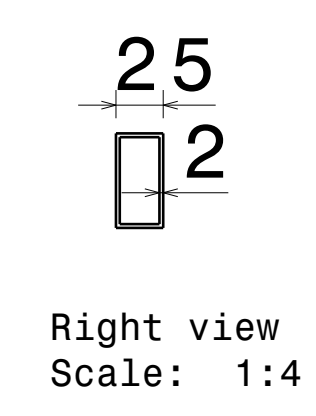
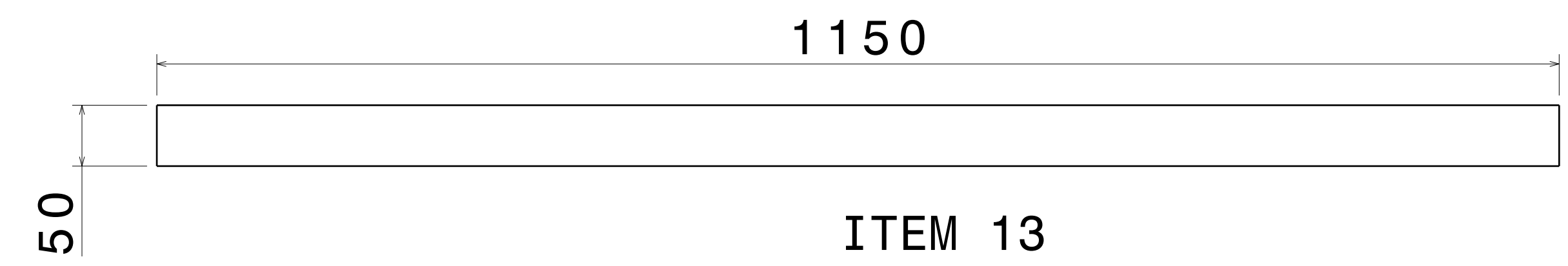
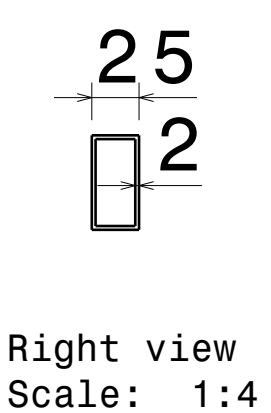
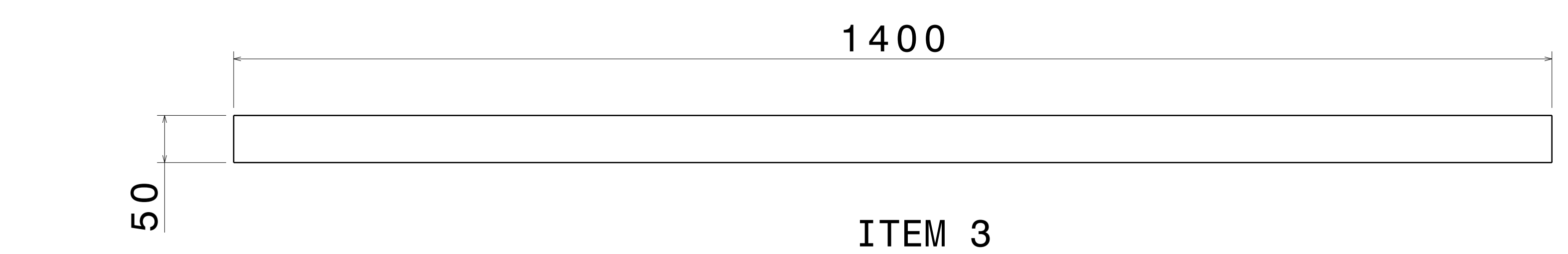
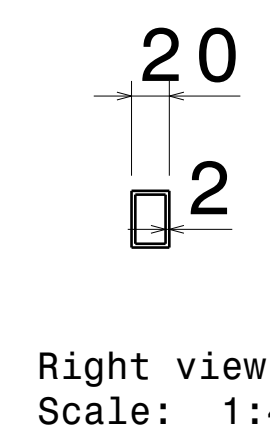
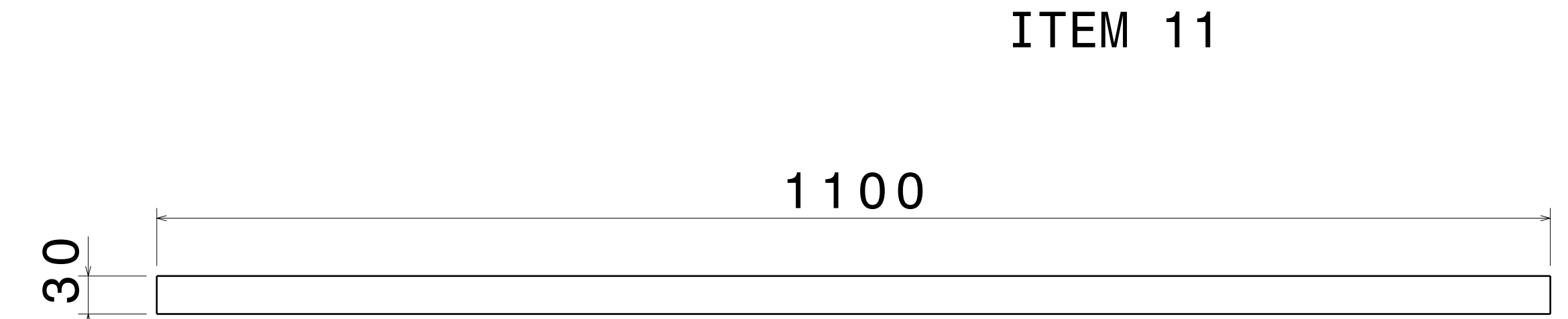
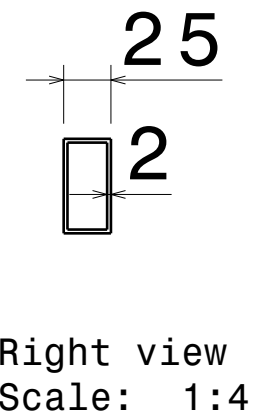
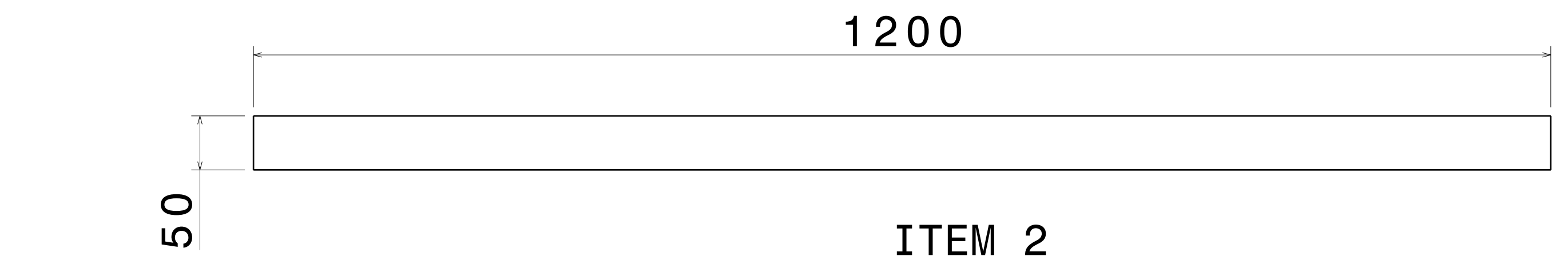
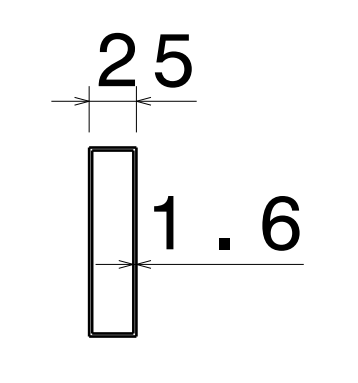
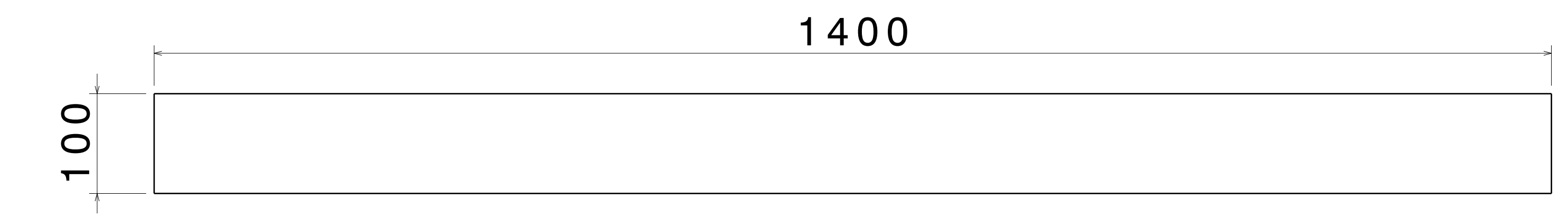
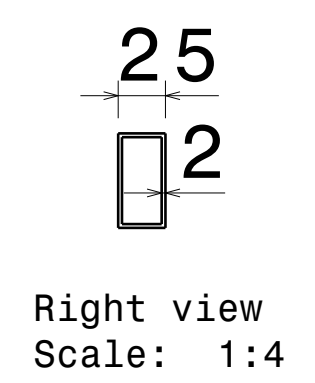
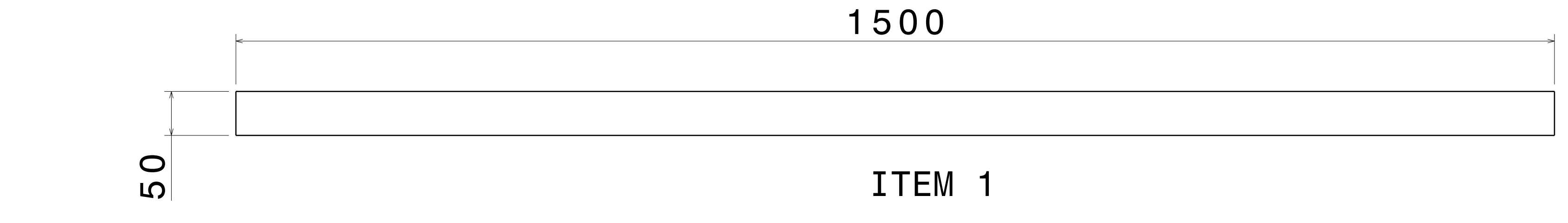
Front view
Scale: 3:20

Right view
Scale: 3:20

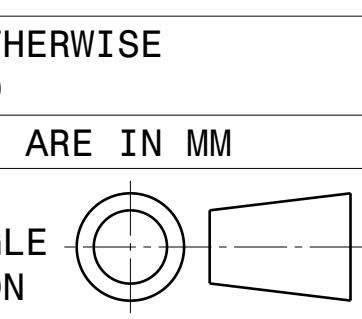
UNLESS OTHERWISE SPECIFIED DIMENSION ARE IN MM
VIEWS: THIRD ANGLE PROJECTION

This drawing is our property. It can't be reproduced or communicated without our written agreement.		APL APOLLO TUBES LTD.	
DRAWN BY SB		DATE 12MAR2021	
CHECKED BY P2P Analysis & Solutions		DATE 12MAR2021	
DESIGNED BY P2P Analysis & Solutions		DATE 12MAR2021	
DRAWING TITLE GATE		SIZE A0	DRAWING NUMBER P2P MAR 21-14
SCALE NONE	WEIGHT (kg) XXX	REV 00	SHEET 2 OF 3

REV	DATE	DESCRIPTION
00	12MAR2021	INITIAL REVISION



UNLESS OTHERWISE SPECIFIED DIMENSION ARE IN MM
VIEWS: THIRD ANGLE PROJECTION



This drawing is our property. It can't be reproduced or communicated without our written agreement.

DRAWN BY	DATE
SB	12MAR2021
CHECKED BY	DATE
P2P Analysis & Solutions	12MAR2021
DESIGNED BY	DATE
P2P Analysis & Solutions	12MAR2021

APL APOLLO TUBES LTD.	
DRAWING TITLE	
GATE	
SIZE	DRAWING NUMBER
A0	P2P MAR 21-14
SCALE	WEIGHT (kg)
NONE	XXX
SHEET 3 OF 3	