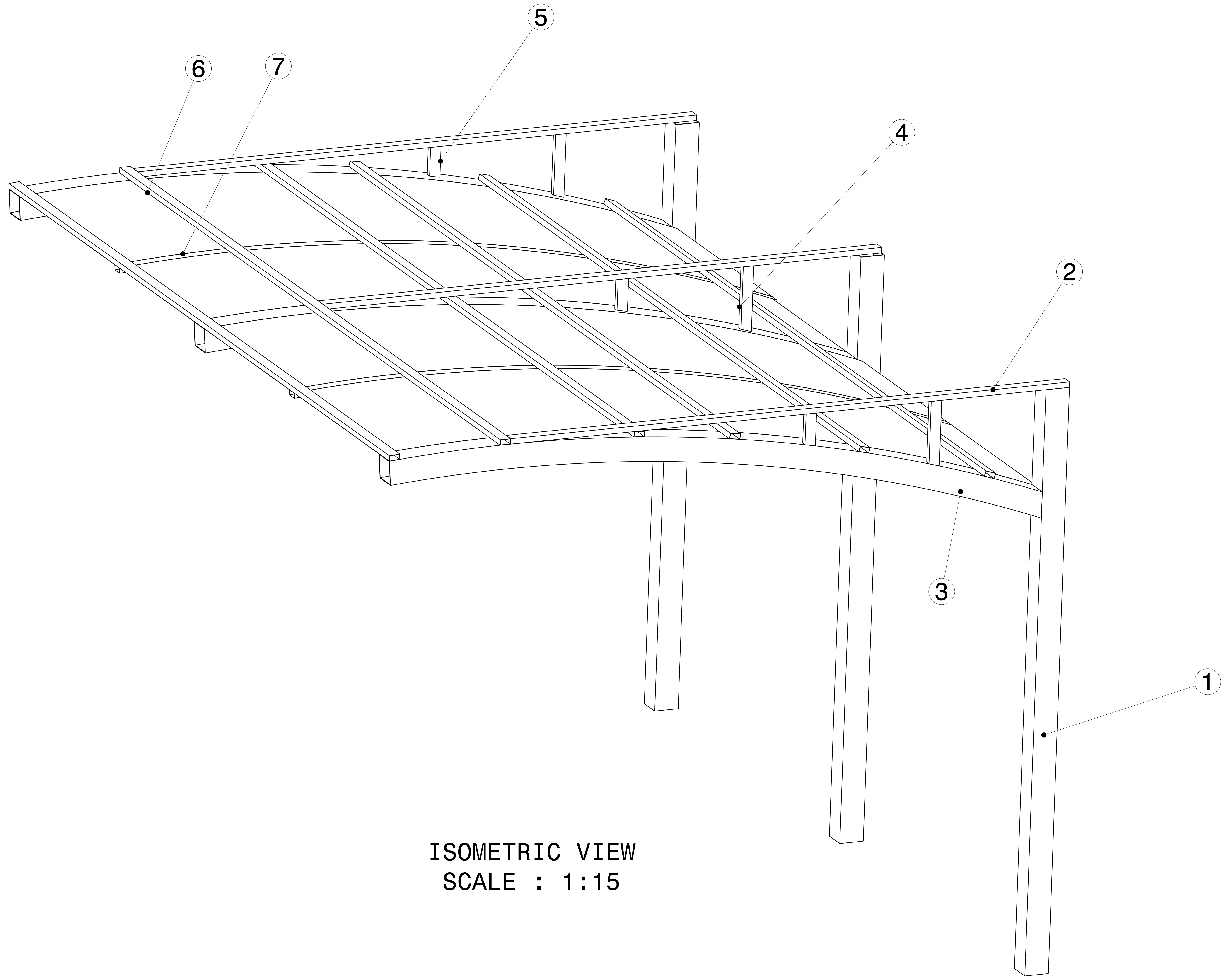



REV/DATE	DESCRIPTION
00 / 9MAR2021	INITIAL REVISION

- NOTES:
- (⊥) ALL VERTICAL SUPPORTS ARE PERPENDICULAR.
 - FLATNESS OF .5MM IS APPLIED BY DEFAULT.
 - ⊲ WELD BEAD OF 2MM RADIUS IS FOLLOWED.
 - ▽▽ SURFACE FINISH MEDIUM TO SMOOTH IS USED.
 - ALL TUBES ARE AS PER APL APOLLO STANDARD. CHANGES MAY EFFECT THE LOAD CAPACITY.
 - ALL HORIZONTAL AND VERTICAL TUBES ARE PERPENDICULAR TO EACH OTHER WITH ±1 DEG.
 - FINE WELDING IS REQUIRED AS PER MENTIONED DETAILS AND FINISHING.
 - HIGHER CURRENT WELDING MAY AFFECT THE BRITTLNESS OF MATERIAL WHICH LATER MAY RAISE TO WEAKENING OF STRUCTURE.
 - FABRICATORS ARE ALLOWED TO USE FITTINGS/FRAMES/SUPPORTS AS NEEDED AND THE SAME MUST BE COMMUNICATED BACK TO ENGINEERING TEAM.
 - BOP COMPONENT WEIGHTS ARE FOR REFERENCE ONLY AND SUBJECTED TO CHANGE PER PURCHASED COMPONENTS.

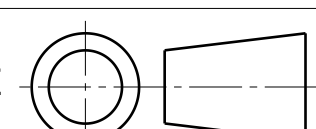


ISOMETRIC VIEW
SCALE : 1:15

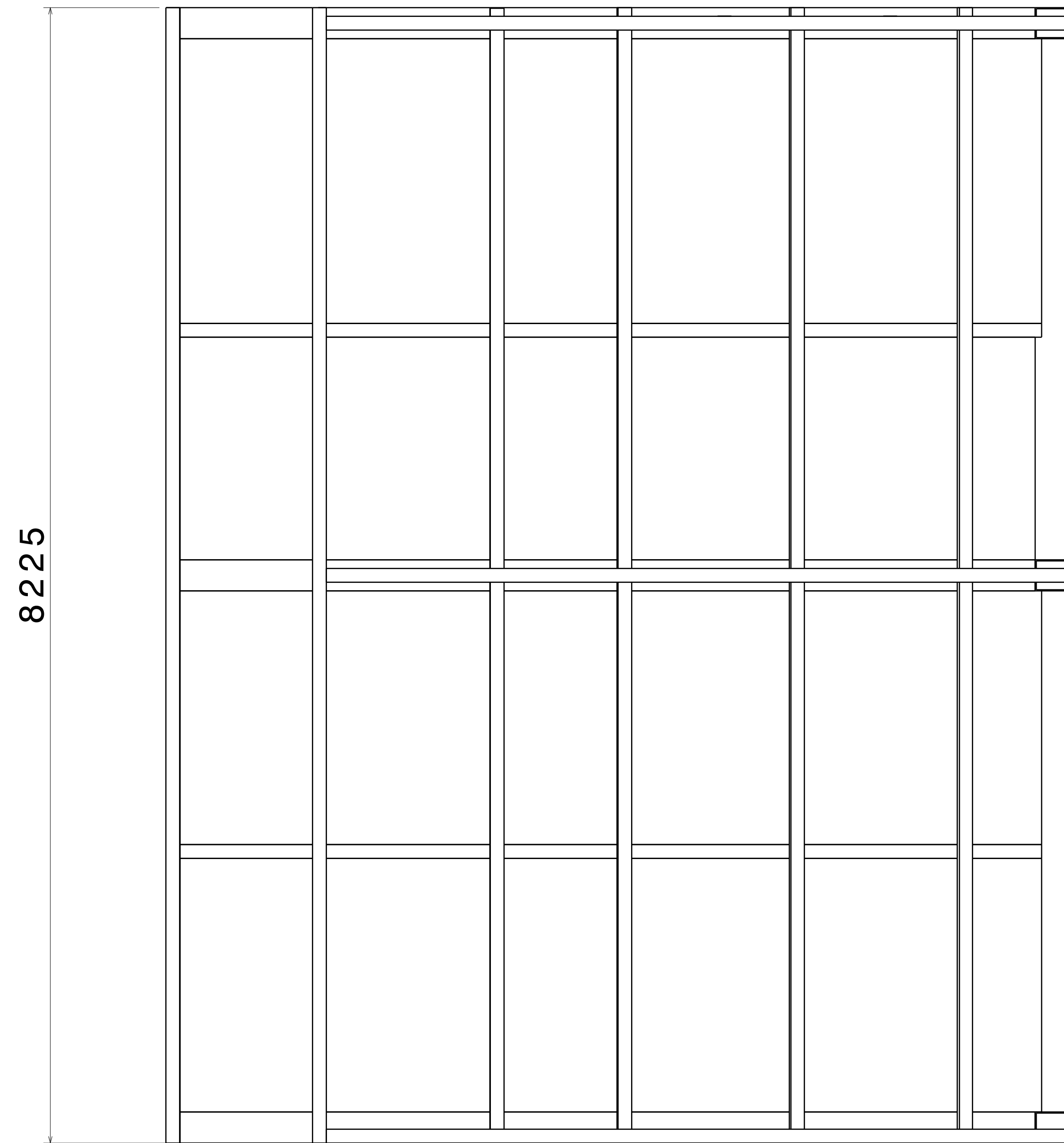
ITEM NO.	PART NUMBER	DESCRIPTION	QTY.	Wt (kg) /Each
6	RHS FRAME 4	100 X 50 X 1.6 X 8225	6	30.37
5	RHS FRAME 3	100 X 50 X 1.6 X 302	3	1.08
4	RHS FRAME 2	100 X 50 X 1.6 X 603.2	3	2.17
3	SHS FRAME 2	225 X 225 X 4.5 X 6393.3	3	199.66
2	RHS FRAME 1	100 X 50 X 5 X 5358.5	3	58.97
1	SHS FRAME 1	225 X 225 X 8 X 5389.1	3	294.14

This drawing is our property. It can't be reproduced or communicated without our written agreement.		APL APOLLO TUBES LTD. 	
DRAWN BY		DRAWING TITLE	
VM	DATE 9MAR2021	SLIDING GATE 1	
CHECKED BY P2P Analysis & Solutions	DATE 9MAR2021	SIZE A0	DRAWING NUMBER P2P MAR 21-18
DESIGNED BY P2P Analysis & Solutions	DATE 9MAR2021	SCALE As Indicated	WEIGHT(kg) 0kg
		SHEET 1 OF 3	

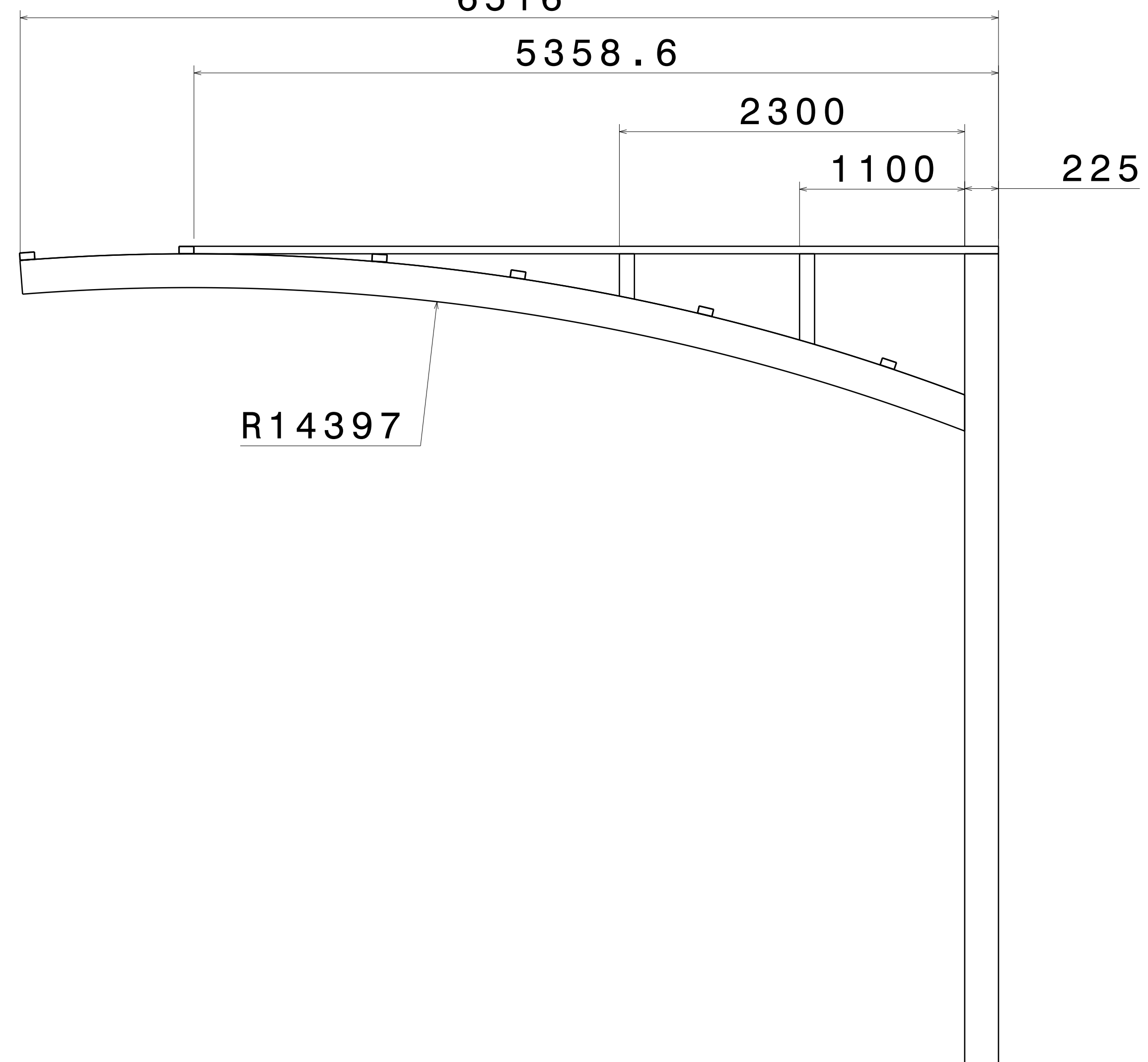
UNLESS OTHERWISE SPECIFIED DIMENSION ARE IN MM
VIEWS: THIRD ANGLE PROJECTION



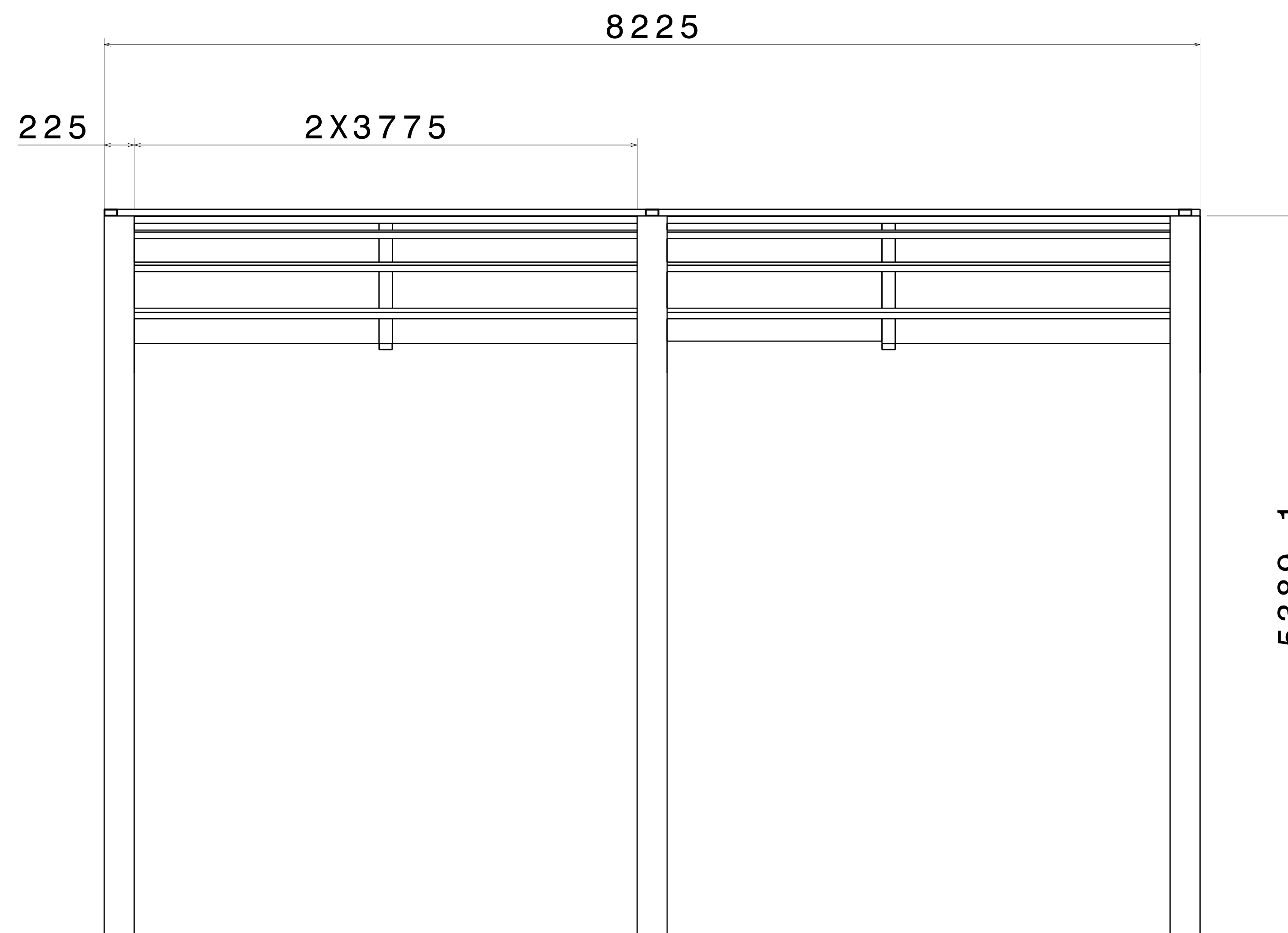
REV	DATE	DESCRIPTION
00	9MAR2021	INITIAL REVISION



TOP VIEW
SCALE: 1:25

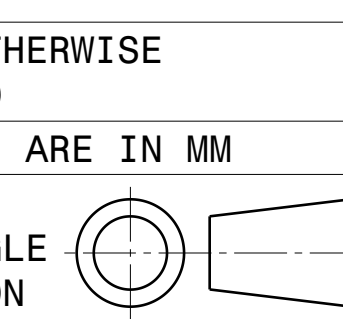



FRONT VIEW
SCALE: 1:25



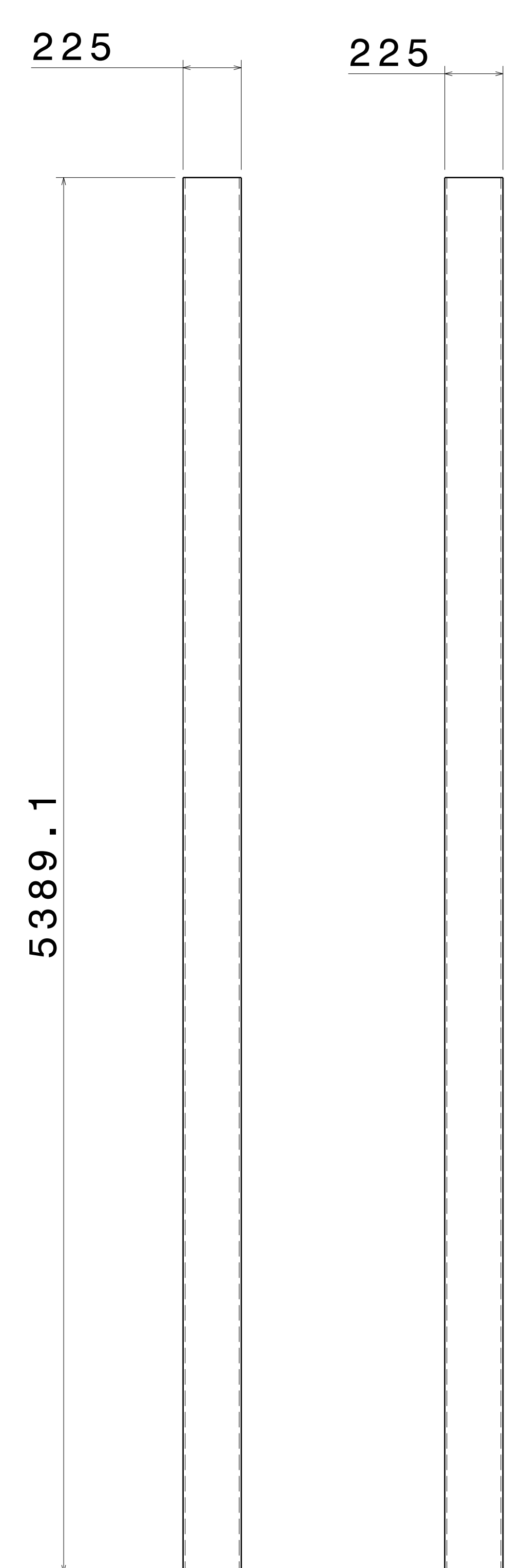
RIGHT VIEW
SCALE: 1:25

UNLESS OTHERWISE SPECIFIED DIMENSION ARE IN MM
VIEWS: THIRD ANGLE PROJECTION

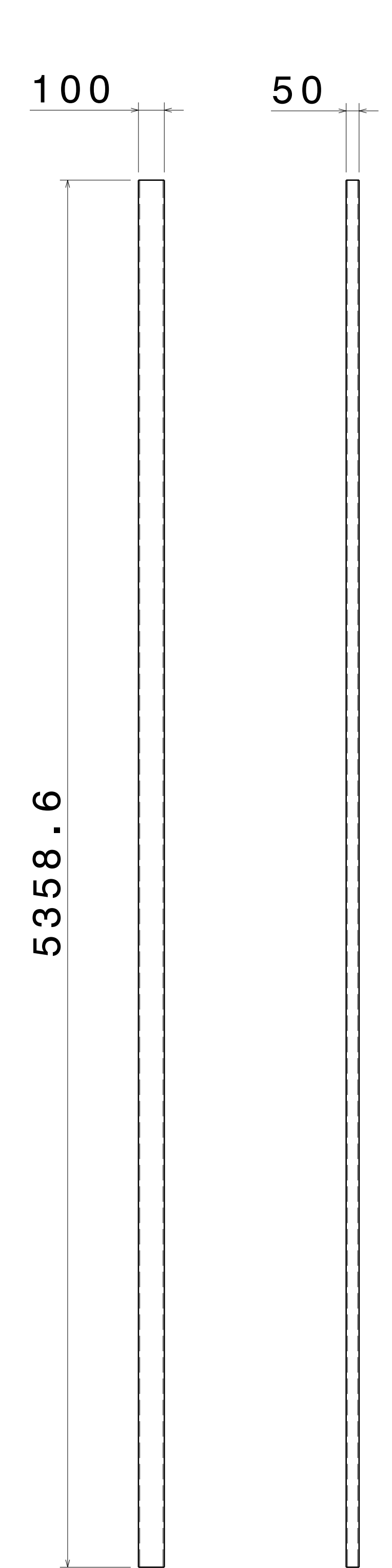


This drawing is our property. It can't be reproduced or communicated without our written agreement.		APL APOLLO TUBES LTD. 	
DRAWN BY SB		DATE 9MAR2021	
CHECKED BY P2P Analysis & Solutions		DATE 9MAR2021	
DESIGNED BY P2P Analysis & Solutions		DATE 9MAR2021	
SIZE A0	DRAWING NUMBER P2P MAR 21-18		REV 00
SCALE NONE	WEIGHT (kg)	XXX	SHEET 2 OF 3

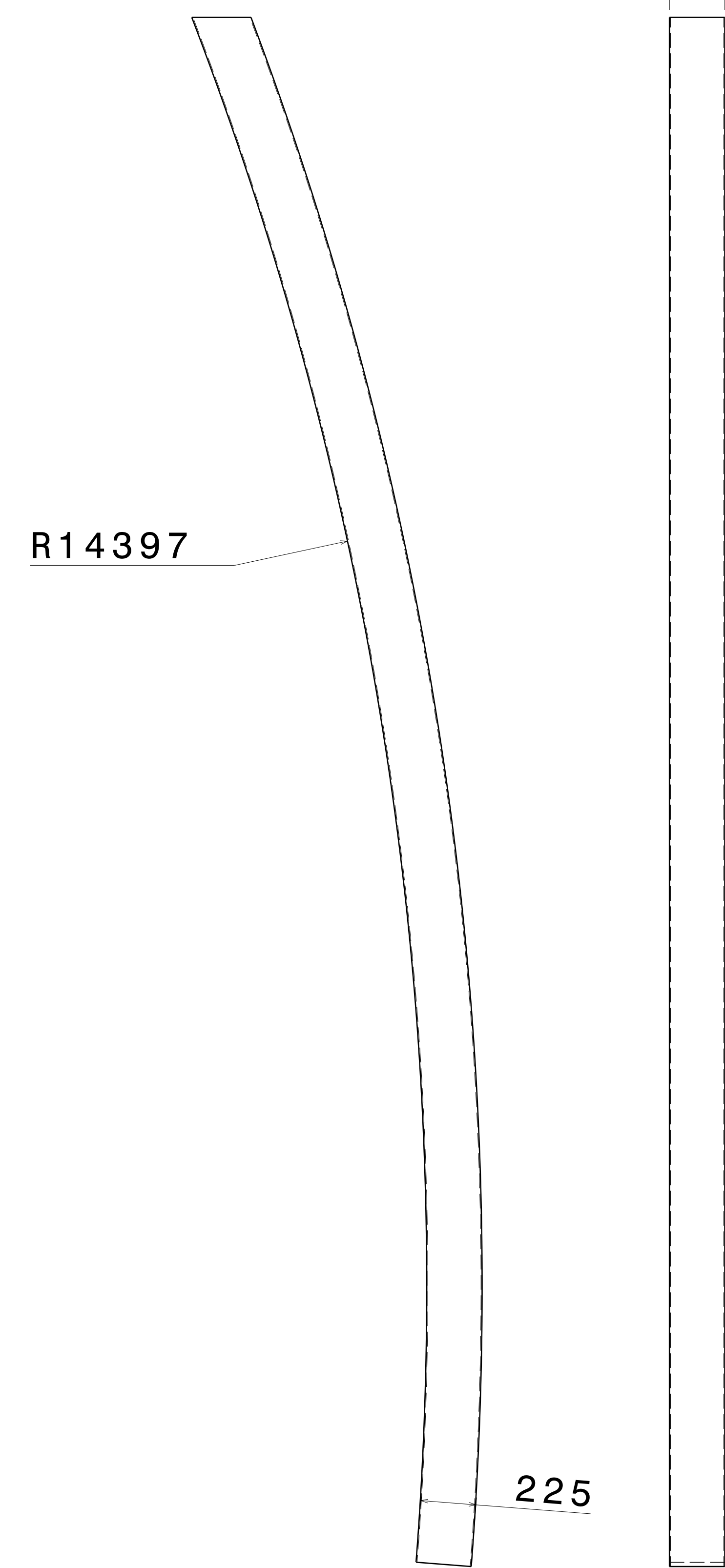
REV	DATE	DESCRIPTION
00	9MAR2021	INITIAL REVISION



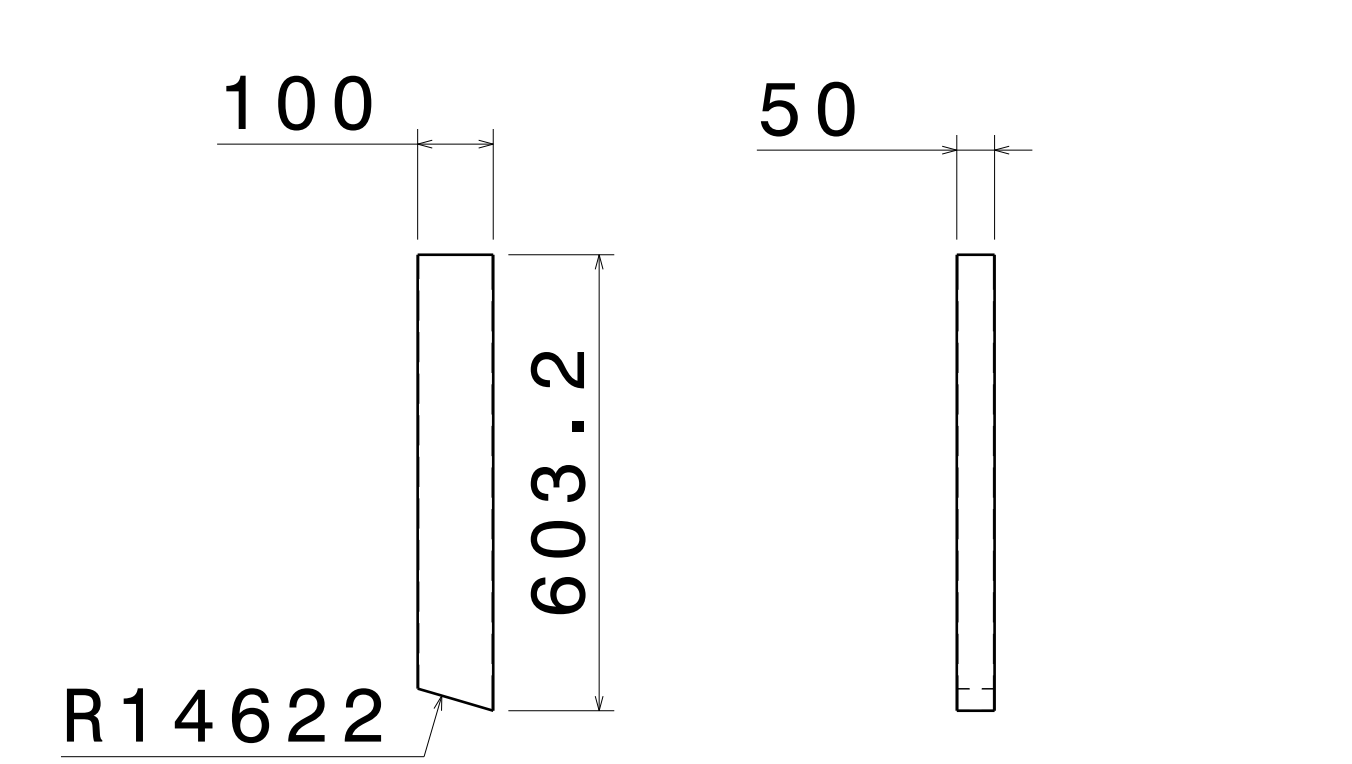
FRONT VIEW RIGHT VIEW
SCALE: 1:15 SCALE: 1:15
ITEM 1, SHS FRAME 1
THICKNESS - 8.0MM



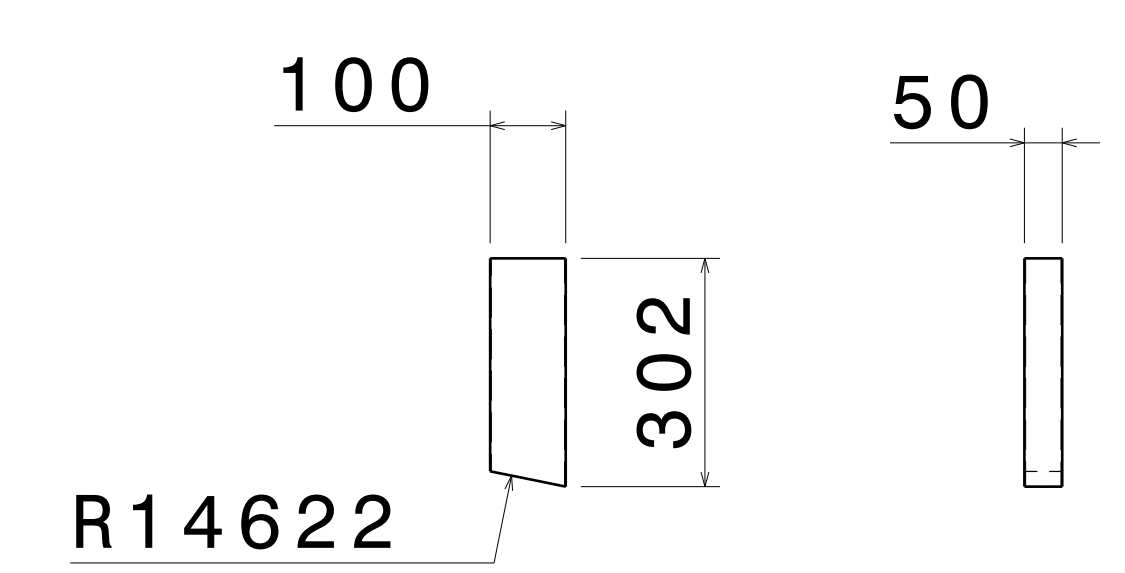
FRONT VIEW RIGHT VIEW
SCALE: 1:15 SCALE: 1:15
ITEM 2, RHS FRAME 1
THICKNESS - 5.0MM



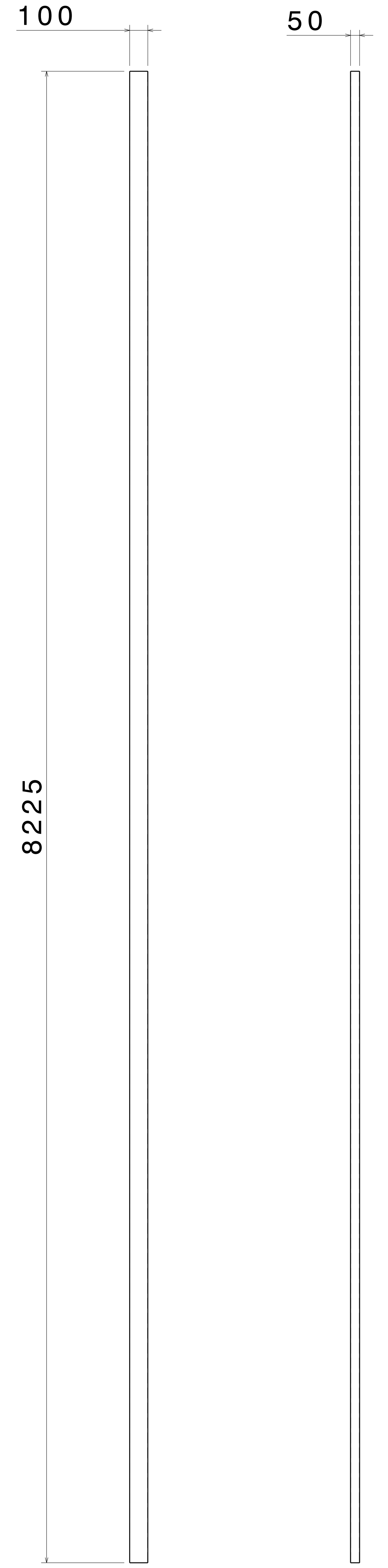
FRONT VIEW RIGHT VIEW
SCALE: 1:15 SCALE: 1:15
ITEM 3, SHS FRAME 2
THICKNESS - 4.5MM



FRONT VIEW RIGHT VIEW
SCALE: 1:10 SCALE: 1:10
ITEM 4, RHS FRAME 2
THICKNESS - 1.6MM



FRONT VIEW RIGHT VIEW
SCALE: 1:10 SCALE: 1:10
ITEM 5, RHS FRAME 3
THICKNESS - 1.6MM



FRONT VIEW RIGHT VIEW
SCALE: 1:15 SCALE: 1:15
ITEM 6, RHS FRAME 4
THICKNESS - 1.6MM

UNLESS OTHERWISE SPECIFIED DIMENSION ARE IN MM
VIEWS: THIRD ANGLE PROJECTION

This drawing is our property. It can't be reproduced or communicated without our written agreement.		APL APOLLO TUBES LTD.	
DRAWN BY SB		DATE 9MAR2021	
CHECKED BY P2P Analysis & Solutions		DATE 9MAR2021	
DESIGNED BY P2P Analysis & Solutions		DATE 9MAR2021	
SIZE A0	DRAWING NUMBER P2P MAR 21-18		REV 00
SCALE NONE	WEIGHT (kg)	XXX	SHEET 3 OF 3