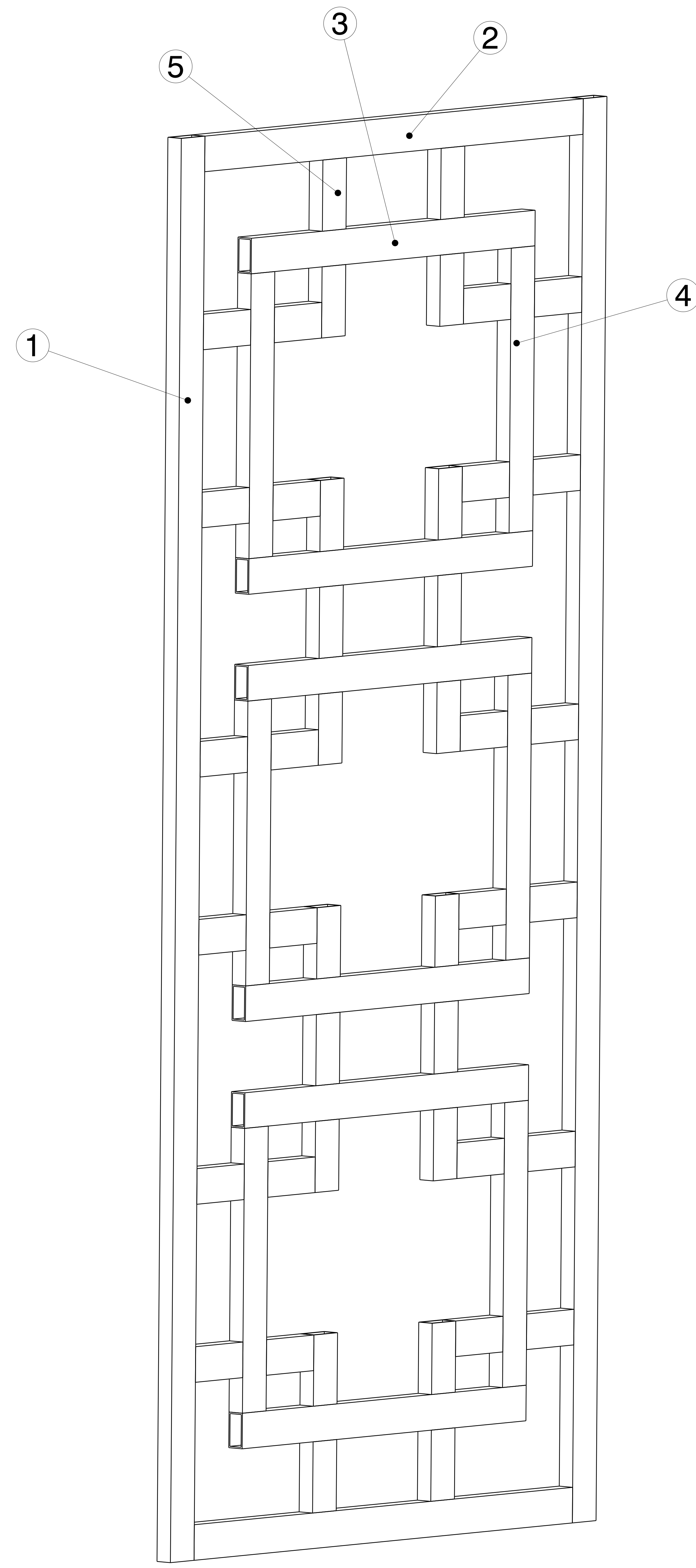



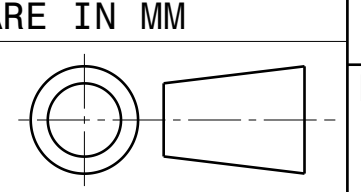
REV/DATE	DESCRIPTION
00 / 03MAR2021	INITIAL REVISION



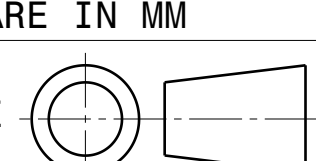
- NOTES:
- (⊥) ALL VERTICAL SUPPORTS ARE PERPENDICULAR.
  - FLATNESS OF .5MM IS APPLIED BY DEFAULT.
  - ⊲ WELD BEAD OF 2MM RADIUS IS FOLLOWED.
  - ▽ SURFACE FINISH MEDIUM TO SMOOTH IS USED.
  - ALL TUBES ARE AS PER APL APOLLO STANDARD. CHANGES MAY EFFECT THE LOAD CAPACITY.
  - ALL HORIZONTAL AND VERTICAL TUBES ARE PERPENDICULAR TO EACH OTHER WITH ±1 DEG.
  - FINE WELDING IS REQUIRED AS PER MENTIONED DETAILS AND FINISHING.
  - HIGHER CURRENT WELDING MAY AFFECT THE BRITTLENESS OF MATERIAL WHICH LATER MAY RAISE TO WEAKENING OF STRUCTURE.
  - FABRICATORS ARE ALLOWED TO USE FITTINGS/FRAMES/SUPPORTS AS NEEDED AND THE SAME MUST BE COMMUNICATED BACK TO ENGINEERING TEAM.
  - BOP COMPONENT WEIGHTS ARE FOR REFERENCE ONLY AND SUBJECTED TO CHANGE PER PURCHASED COMPONENTS.

Isometric view

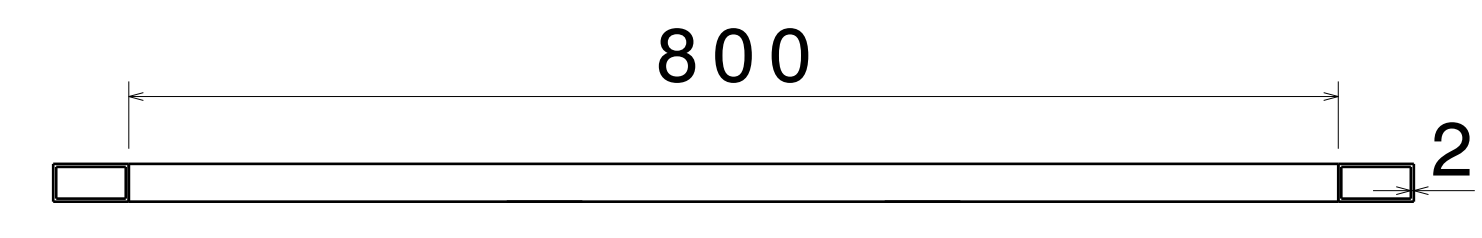
ITEM NO.	PART NUMBER	DESCRIPTION	QTY.	Wt (kg)/Each
5	RHS FRAME 5	50 X 25 X 2 X 100	44	0.25
4	RHS FRAME 4	50 X 25 X 2 X 400	6	0.90
3	RHS FRAME 3	50 X 25 X 2 X 600	6	1.35
2	RHS FRAME 2	50 X 25 X 2 X 800	2	1.80
1	RHS FRAME 1	50 X 25 X 2 X 2000	2	4.50

This drawing is our property. It can't be reproduced or communicated without our written agreement.		APL APOLLO TUBES LTD. 	
DRAWN BY RR		DATE 03MAR2021	
CHECKED BY P2P Analysis & Solutions		DATE 03MAR2021	
DESIGNED BY P2P Analysis & Solutions		DATE 03MAR2021	
DRAWING TITLE DOOR		SIZE A0	DRAWING NUMBER P2P MAR 21-20
UNLESS OTHERWISE SPECIFIED DIMENSION ARE IN MM		SCALE As Indicated	WEIGHT (kg) 0kg
VIEWS: THIRD ANGLE PROJECTION 		SHEET 1 OF 3	

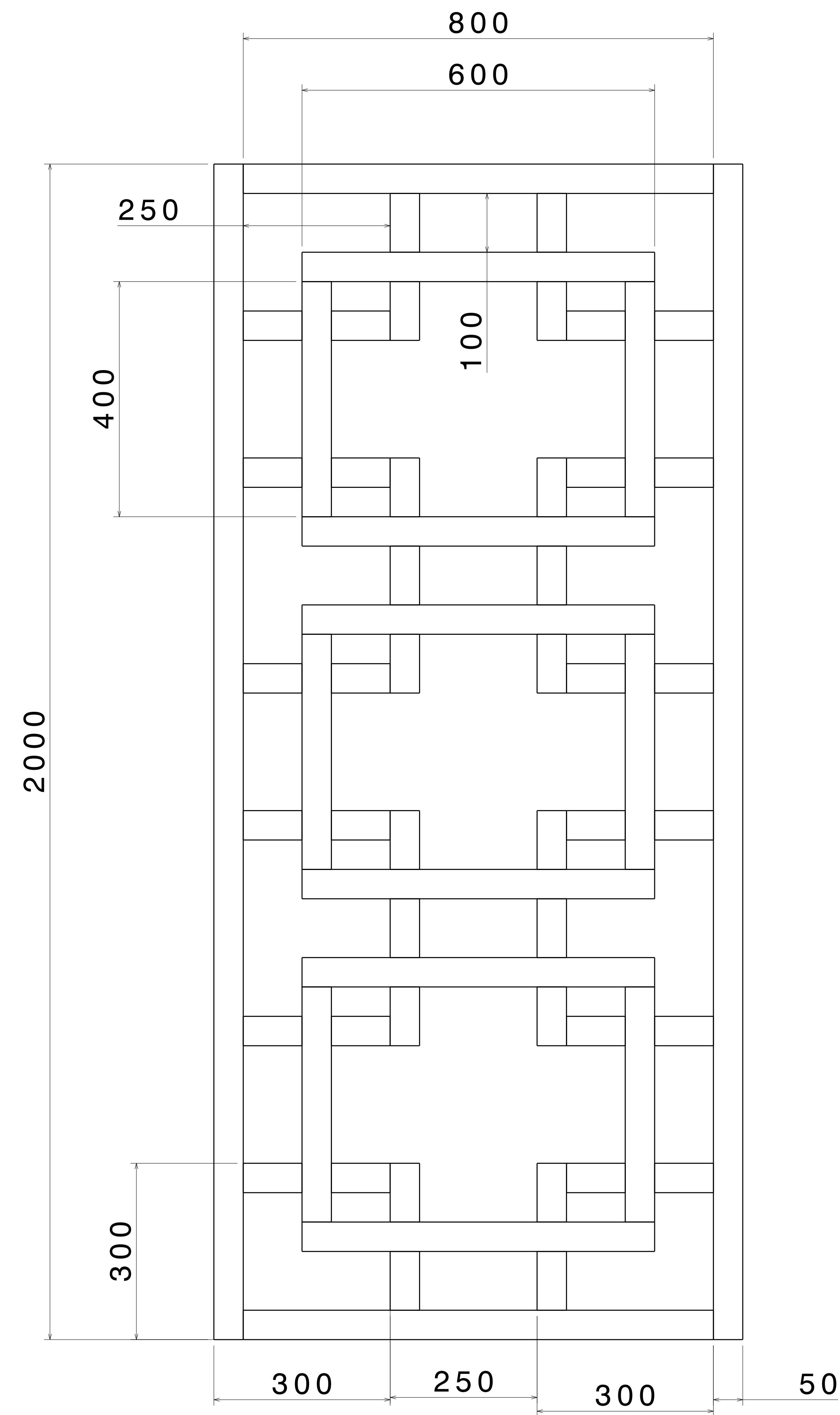
UNLESS OTHERWISE SPECIFIED DIMENSION ARE IN MM

VIEWS:  
THIRD ANGLE PROJECTION 

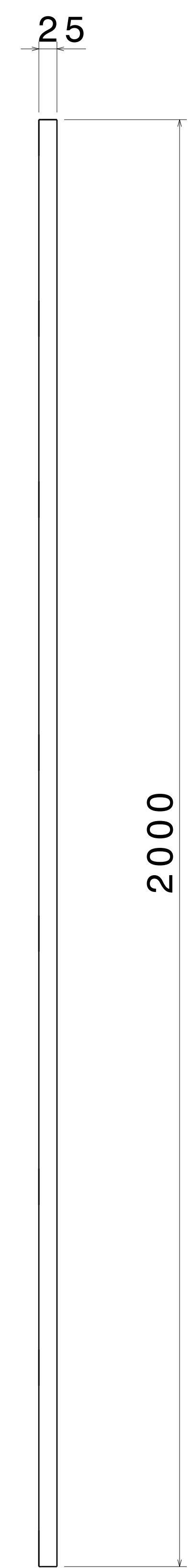
REV	DATE	DESCRIPTION
00	03MAR2021	INITIAL REVISION



Top view  
Scale: 1:5



Front view  
Scale: 1:5

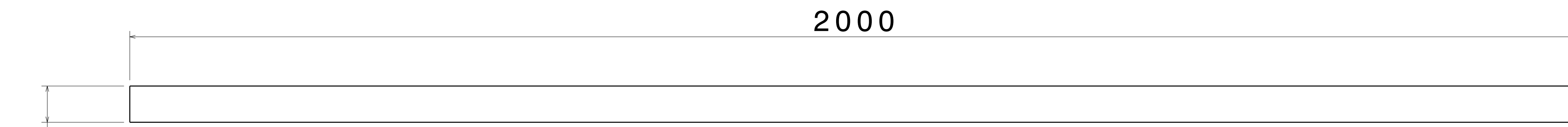


Right view  
Scale: 1:5

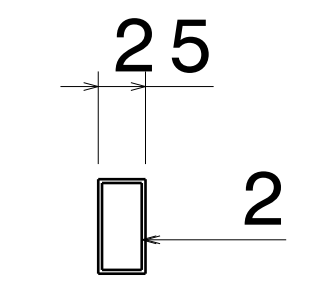
UNLESS OTHERWISE SPECIFIED DIMENSION ARE IN MM  
VIEWS: THIRD ANGLE PROJECTION

This drawing is our property. It can't be reproduced or communicated without our written agreement.		APL APOLLO TUBES LTD.	
DRAWN BY SB		DATE 03MAR2021	
CHECKED BY P2P Analysis & Solutions		DATE 03MAR2021	
DESIGNED BY P2P Analysis & Solutions		DATE 03MAR2021	
DRAWING TITLE DOOR		SIZE A0	DRAWING NUMBER P2P MAR 21-20
SCALE NONE		WEIGHT (kg) XXX	REV 00
		SHEET 2 OF 3	

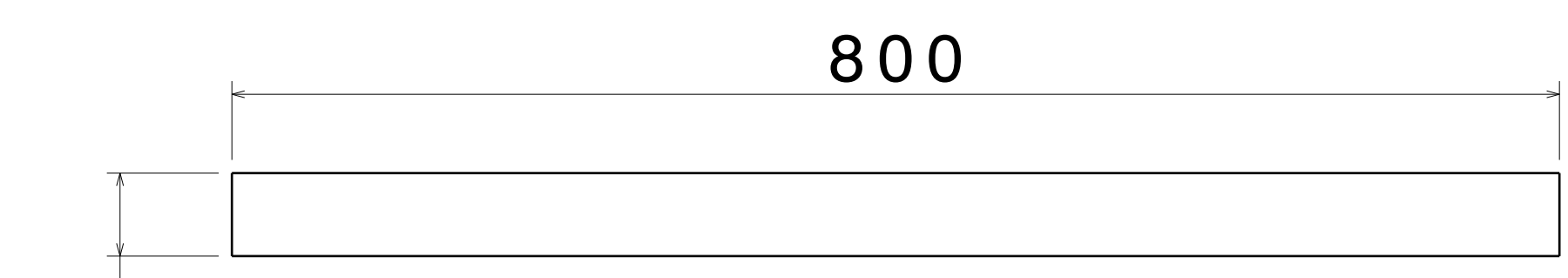
REV	DATE	DESCRIPTION
00	03MAR2021	INITIAL REVISION



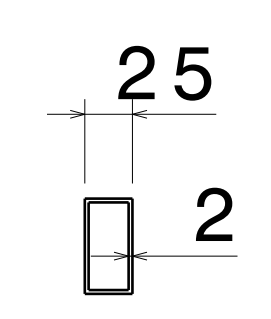
ITEM 1



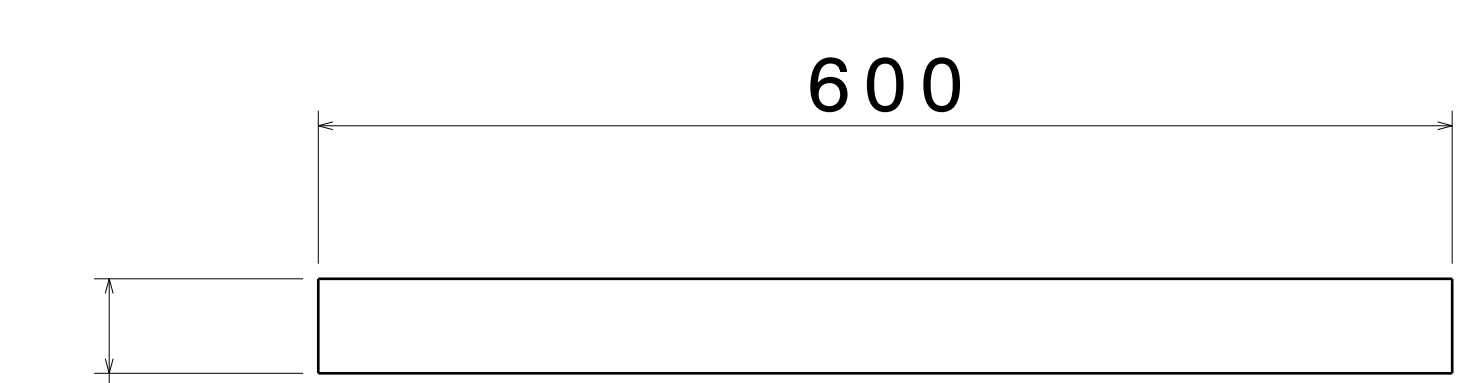
Right view  
Scale: 1:4



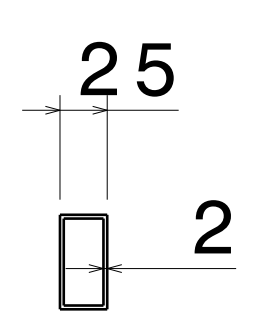
ITEM 2



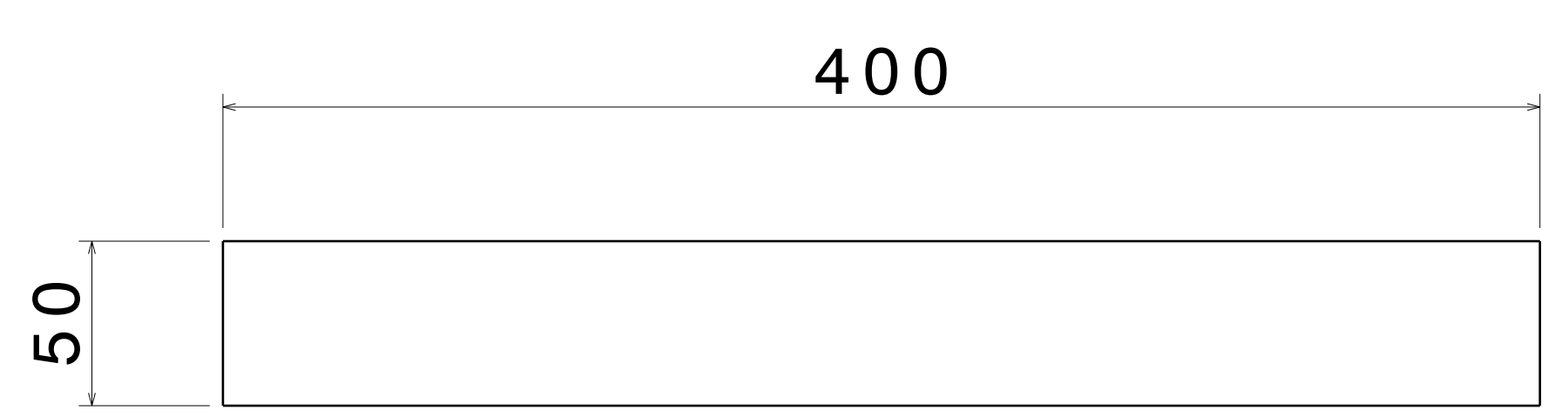
Right view  
Scale: 63:250



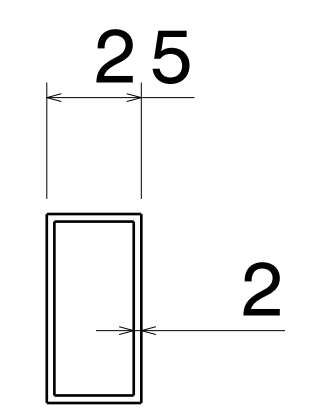
ITEM 3



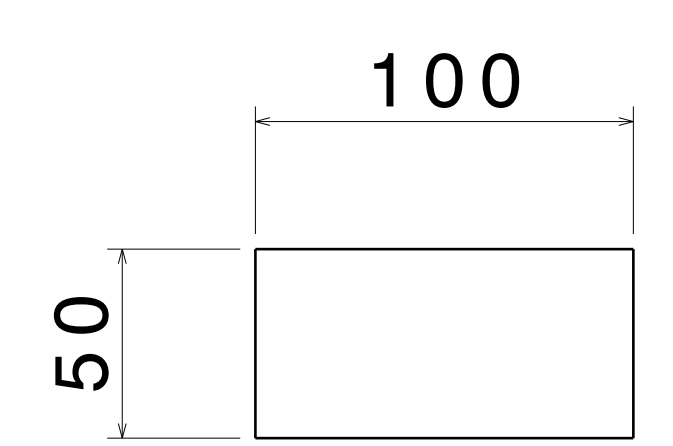
Right view  
Scale: 1:4



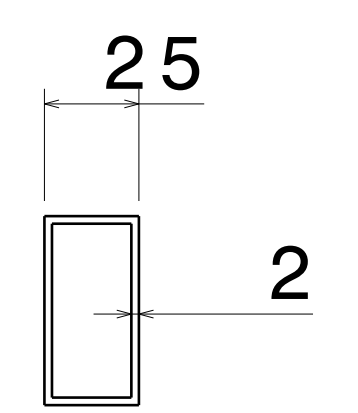
ITEM 4



Right view  
Scale: 1:2



ITEM 5



Right view  
Scale: 1:2

UNLESS OTHERWISE SPECIFIED DIMENSION ARE IN MM  
VIEWS: THIRD ANGLE PROJECTION

This drawing is our property. It can't be reproduced or communicated without our written agreement.		APL APOLLO TUBES LTD.	
DRAWN BY SB		DATE 03MAR2021	
CHECKED BY P2P Analysis & Solutions		DATE 03MAR2021	
DESIGNED BY P2P Analysis & Solutions		DATE 03MAR2021	
DRAWING TITLE DOOR		SIZE A0	DRAWING NUMBER P2P MAR 21-20
SCALE NONE		WEIGHT (kg) XXX	REV 00
		SHEET 3 OF 3	