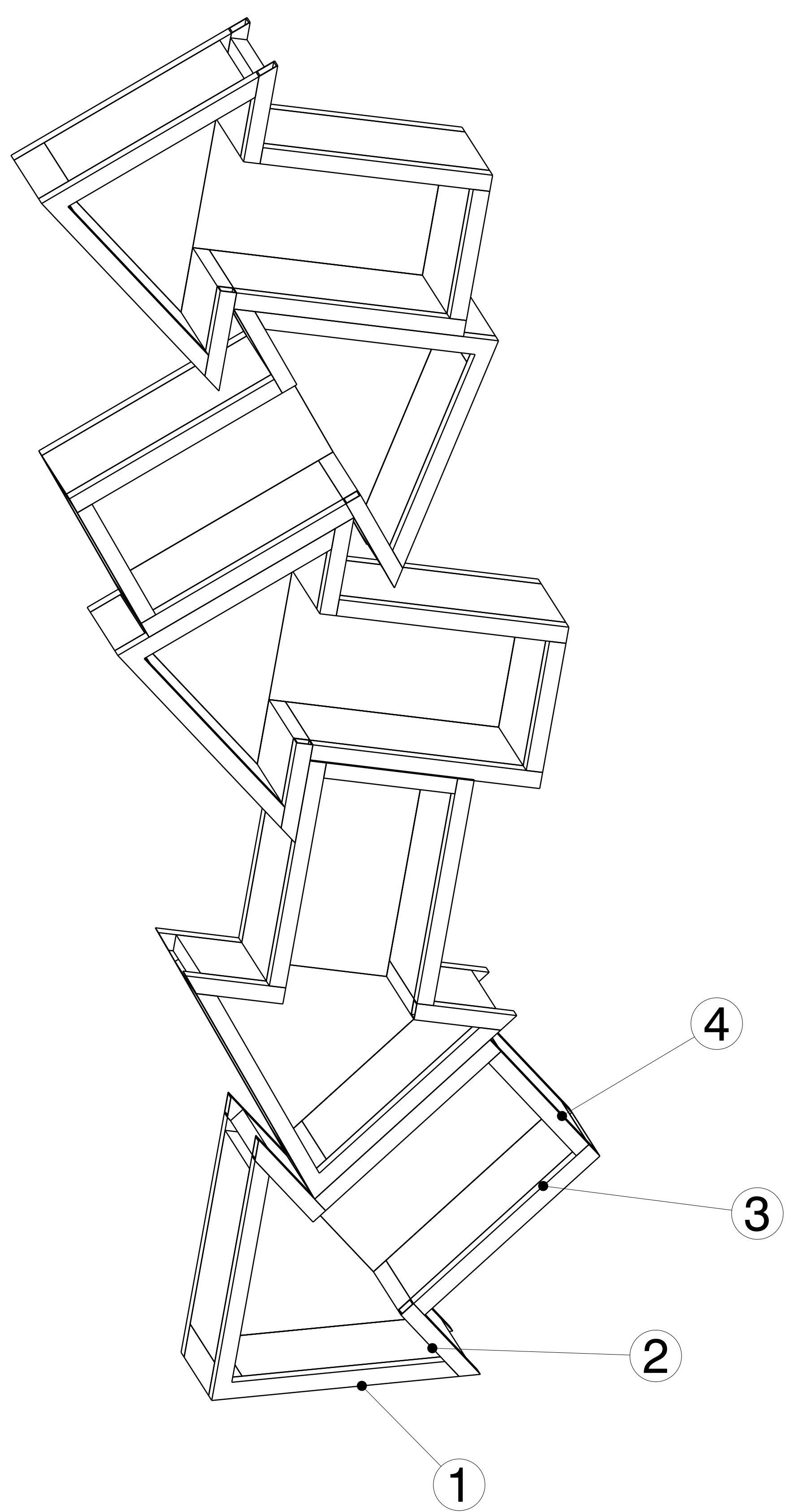
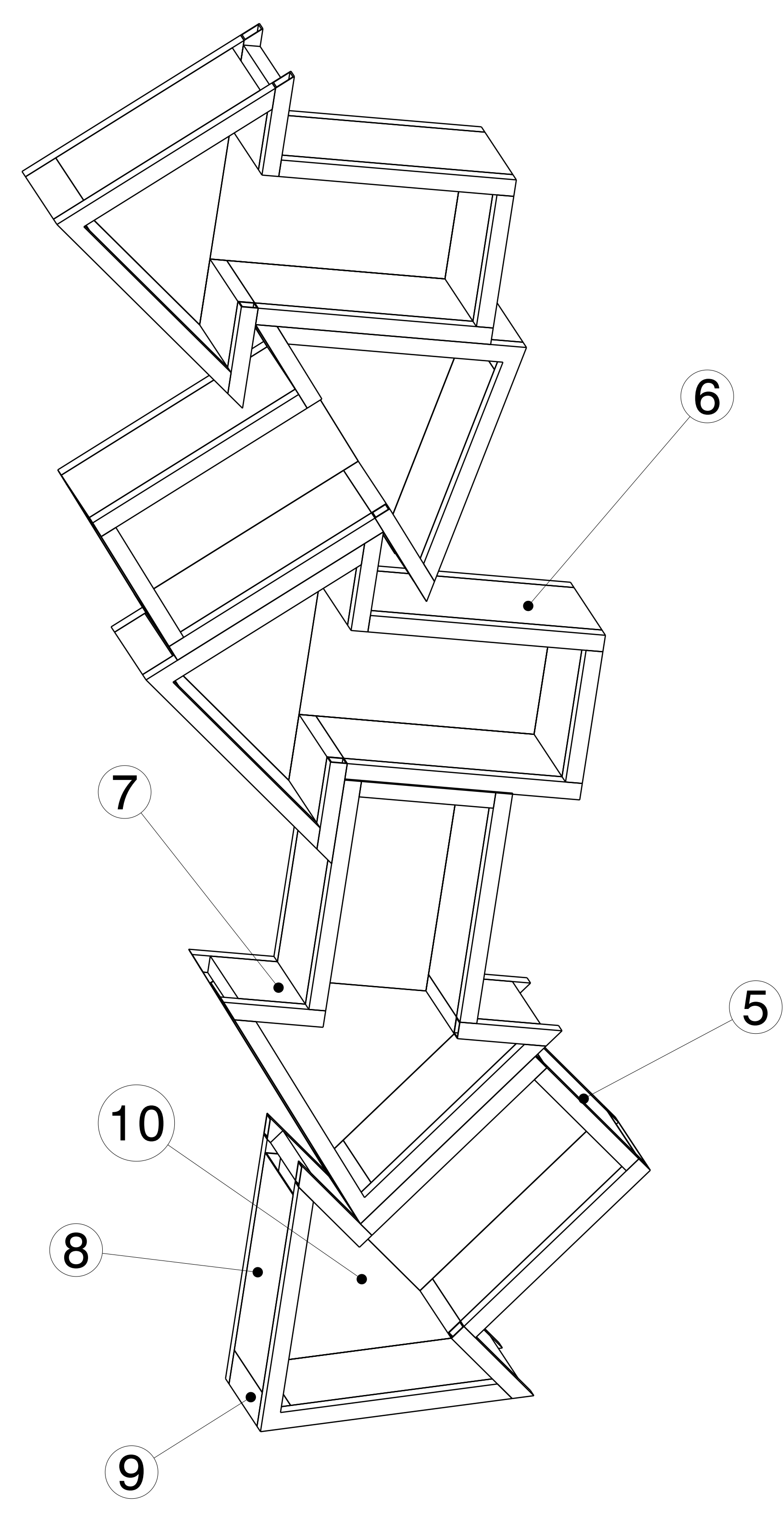


REV	DATE	DESCRIPTION
00	25MARCH2021	INITIAL REVISION

- NOTES:
- (⊥) ALL VERTICAL SUPPORTS ARE PERPENDICULAR.
 - FLATNESS OF .5MM IS APPLIED BY DEFAULT.
 - ⊲ WELD BEAD OF 2MM RADIUS IS FOLLOWED.
 - ▽ SURFACE FINISH MEDIUM TO SMOOTH IS USED.
 - ALL TUBES ARE AS PER APL APOLLO STANDARD. CHANGES MAY EFFECT THE LOAD CAPACITY.
 - ALL HORIZONTAL AND VERTICAL TUBES ARE PERPENDICULAR TO EACH OTHER WITH ±1 DEG.
 - FINE WELDING IS REQUIRED AS PER MENTIONED DETAILS AND FINISHING.
 - HIGHER CURRENT WELDING MAY AFFECT THE BRITTLNESS OF MATERIAL WHICH LATER MAY RAISE TO WEAKENING OF STRUCTURE.
 - FABRICATORS ARE ALLOWED TO USE FITTINGS/FRAMES/SUPPORTS AS NEEDED AND THE SAME MUST BE COMMUNICATED BACK TO ENGINEERING TEAM.
 - BOP COMPONENT WEIGHTS ARE FOR REFERENCE ONLY AND SUBJECTED TO CHANGE PER PURCHASED COMPONENTS.



ISOMETRIC VIEW
SCALE : 1:5



ISOMETRIC VIEW
SCALE : 1:5

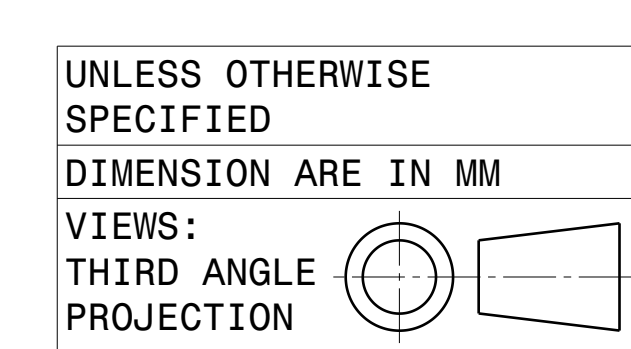
ITEM NO.	PART NUMBER	DESCRIPTION	QTY.	Wt(Kg) /Each
10	BOP PLATE	-----	1	1.7
9	BOP L PLATE	-----	2	0.23
8	RHS PLANK 4	200 X 25 X 1.6 X 300	2	1.67
7	RHS PLANK 3	125 X 25 X 1.6 X 200	2	0.74
6	RHS PLANK 2	200 X 25 X 1.6 X 350	3	1.95
5	RHS PLANK 1	200 X 25 X 1.6 X 200	1	1.12
4	SHS FRAME 4	25 X 25 X 1.6 X 200	2	0.29
3	SHS FRAME 3	25 X 25 X 1.6 X 350	4	0.51
2	SHS FRAME 2	25 X 25 X 1.6 X 152	4	0.17
1	SHS FRAME 1	25 X 25 X 1.6 X 371.4	4	0.41

This drawing is our property. It can't be reproduced or communicated without our written agreement.

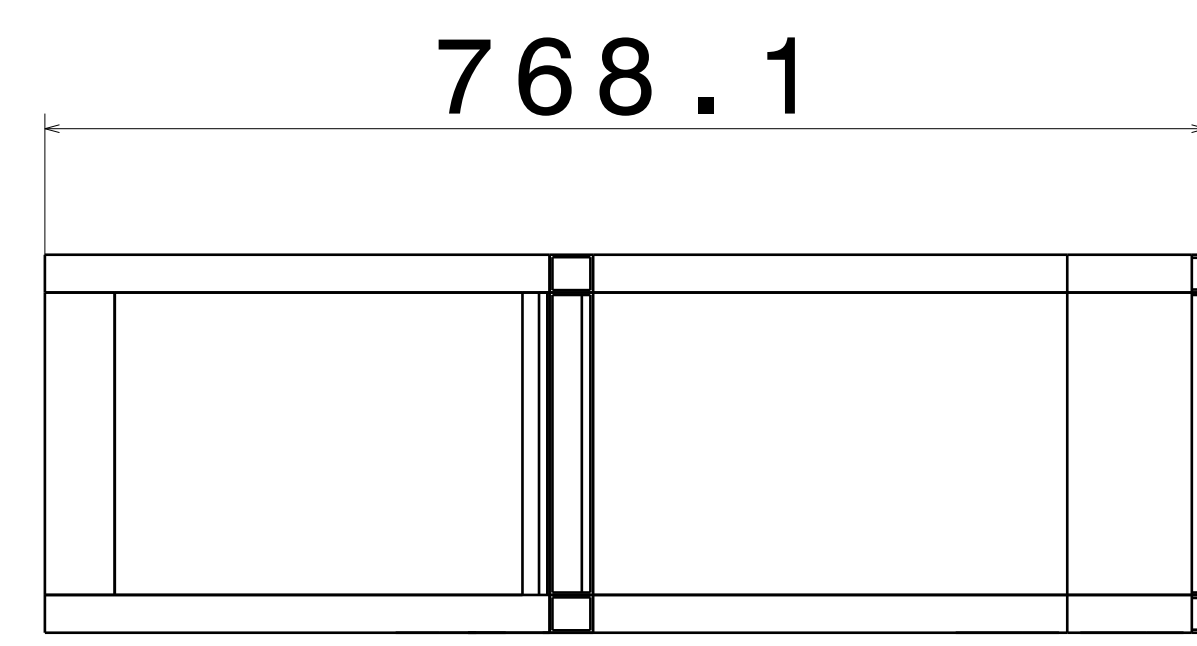
APL APOLLO TUBES LTD.

DRAWING TITLE: **BOOK SHELF**

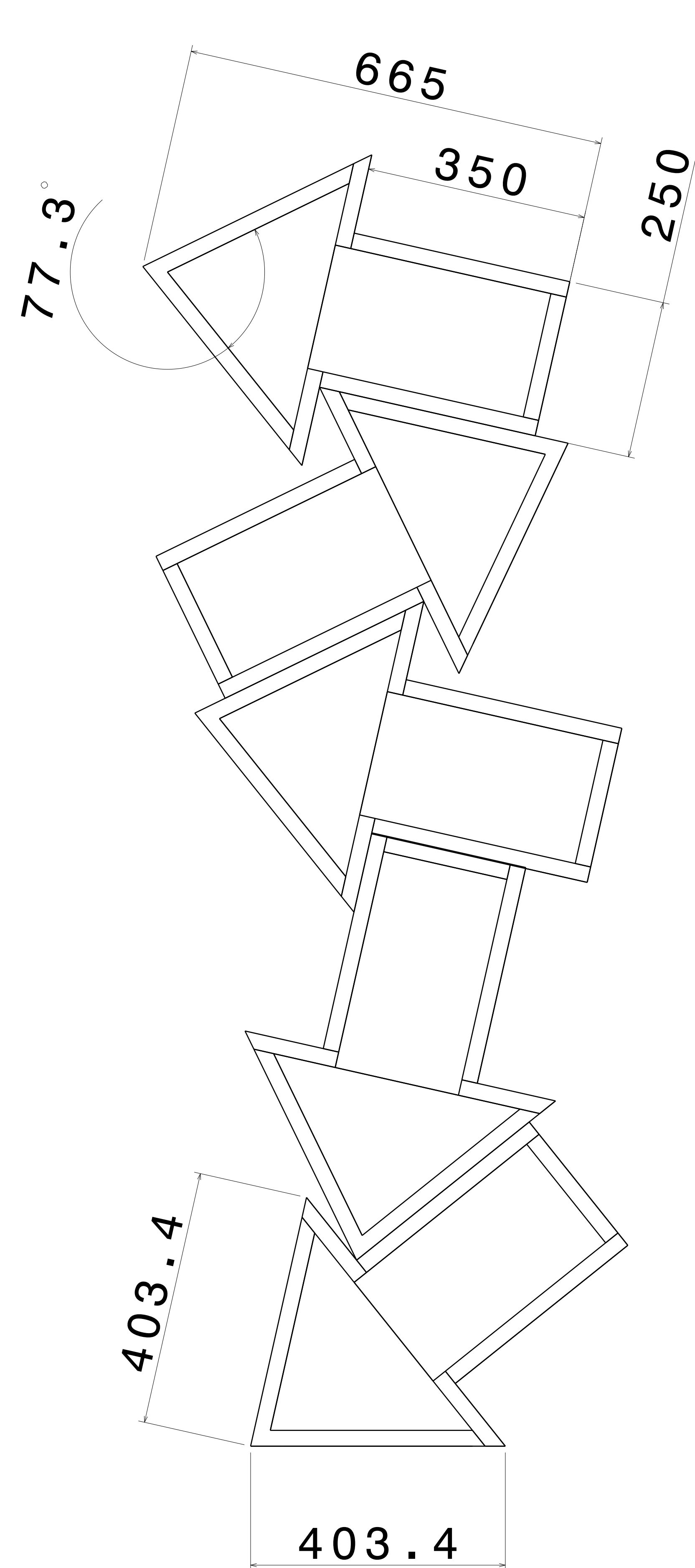
DRAWN BY: VM	DATE: 25MARCH2021	CHECKED BY: P2P Analysis & Solutions	DATE: 25MARCH2021	DESIGNED BY: P2P Analysis & Solutions	DATE: 25MARCH2021	SIZE: A0	DRAWING NUMBER: P2P MARCH21-3	REV: 00
UNLESS OTHERWISE SPECIFIED DIMENSION ARE IN MM		VIEWS: THIRD ANGLE PROJECTION		SCALE: As Indicated		WEIGHT(kg): 0kg	SHEET 1 OF 3	



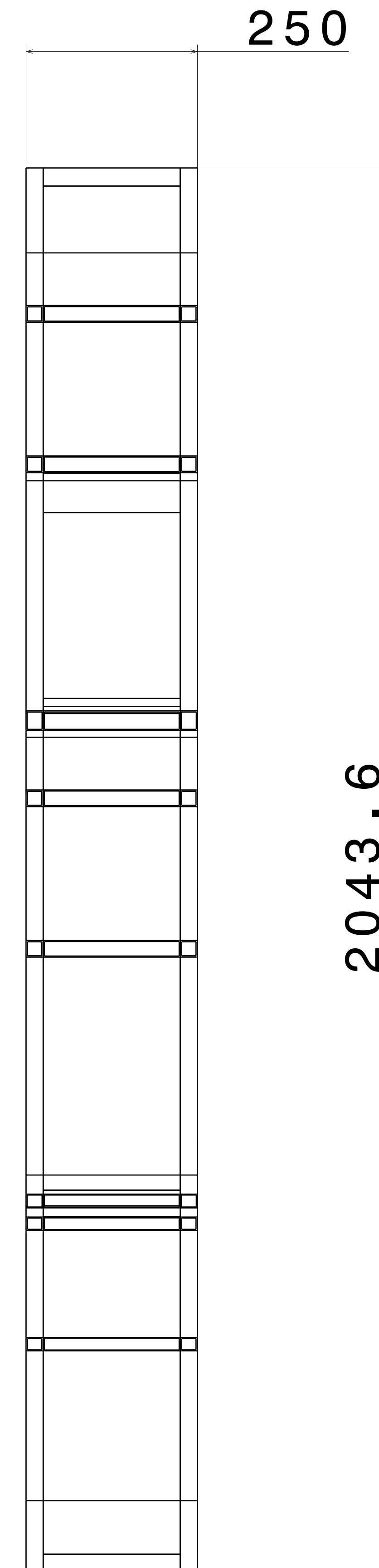
REV	DATE	DESCRIPTION
00	25MARCH2021	INITIAL REVISION



TOP VIEW
SCALE: 1:5

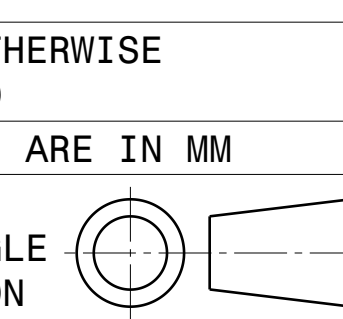



FRONT VIEW
SCALE: 1:5



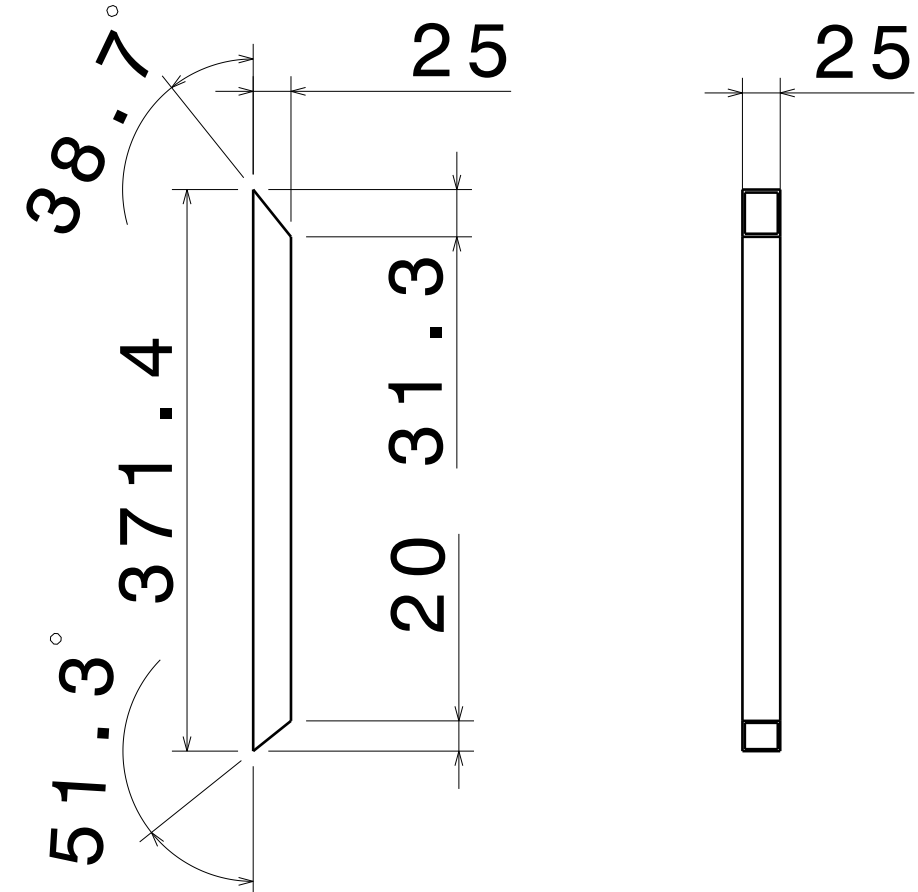
RIGHT VIEW
SCALE: 1:5

UNLESS OTHERWISE SPECIFIED DIMENSION ARE IN MM
VIEWS: THIRD ANGLE PROJECTION

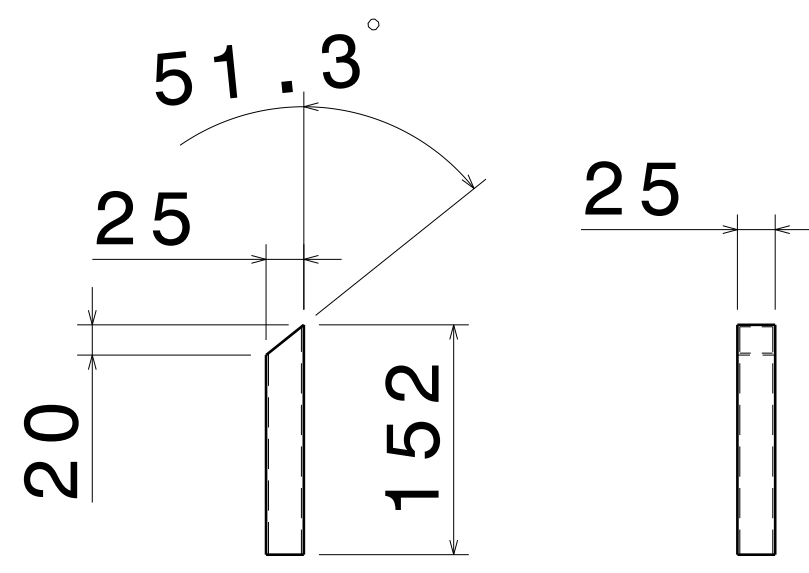


This drawing is our property. It can't be reproduced or communicated without our written agreement.		APL APOLLO TUBES LTD. 	
DRAWN BY SB		DRAWING TITLE BOOK SHELF	
CHECKED BY P2P Analysis & Solutions	DATE 25MARCH2021	SIZE A0	DRAWING NUMBER P2P MARCH21-3
DESIGNED BY P2P Analysis & Solutions	DATE 25MARCH2021	SCALE NONE	WEIGHT (kg) XXX
		SHEET 2 OF 3	

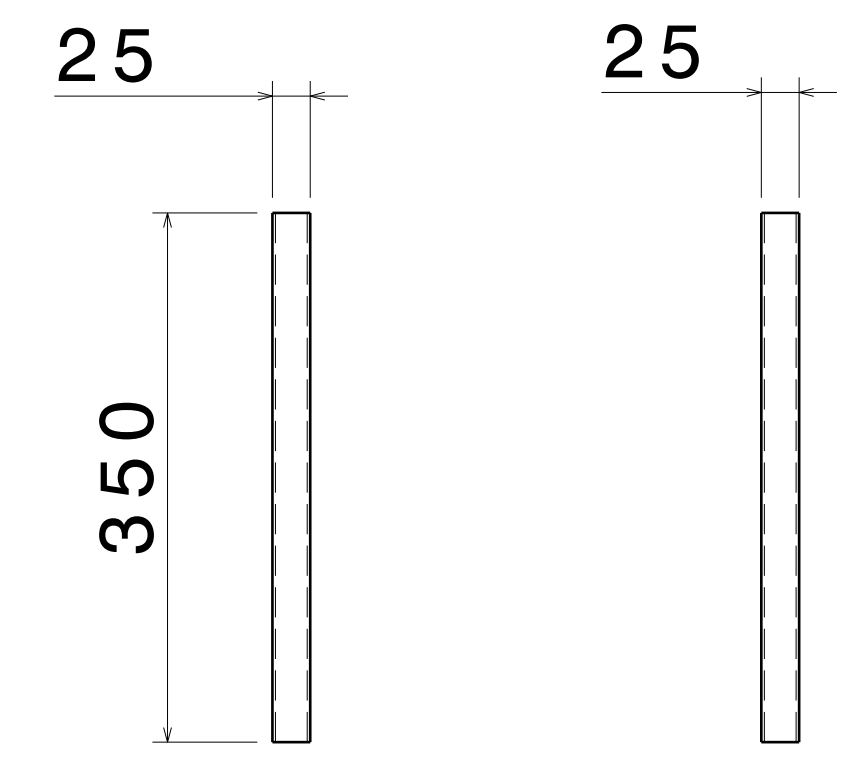
REV	DATE	DESCRIPTION
00	25MARCH2021	INITIAL REVISION



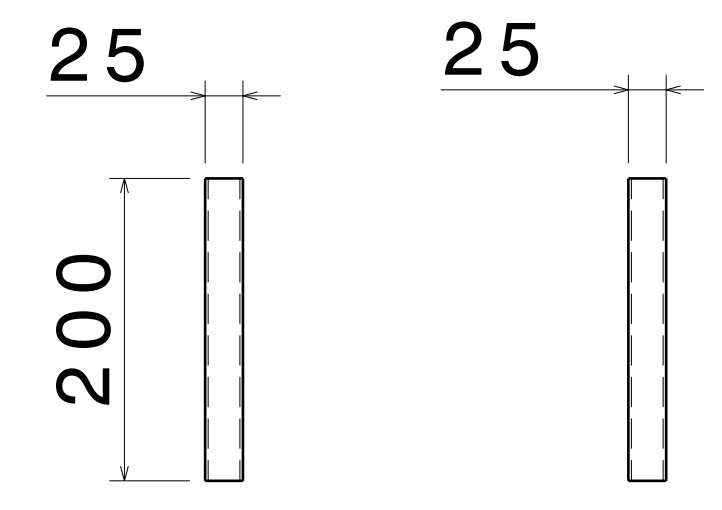
FRONT VIEW RIGHT VIEW
SCALE: 1:5 SCALE: 1:5
ITEM 1, SHS FRAME 1
THICKNESS - 1.6MM



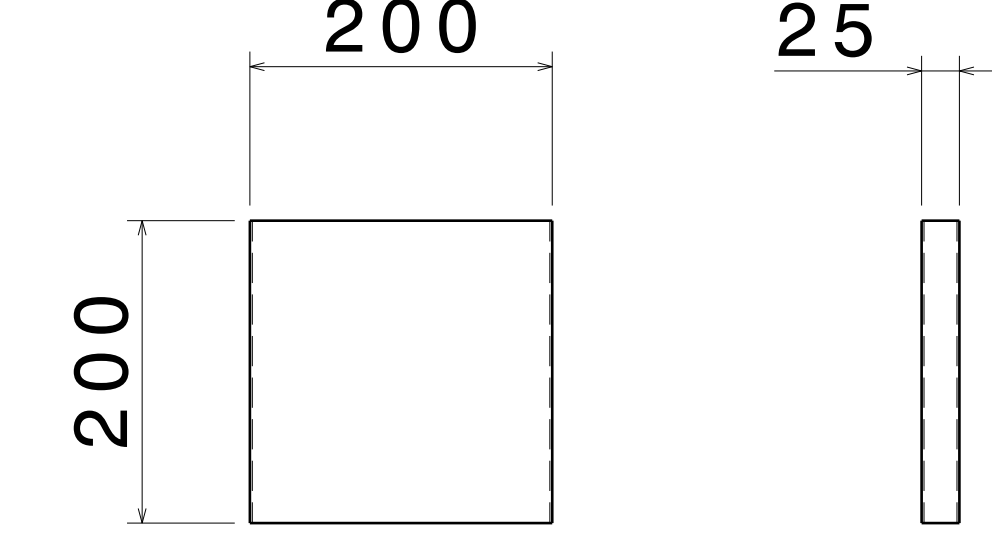
FRONT VIEW RIGHT VIEW
SCALE: 1:5 SCALE: 1:5
ITEM 2, SHS FRAME 2
THICKNESS - 1.6MM



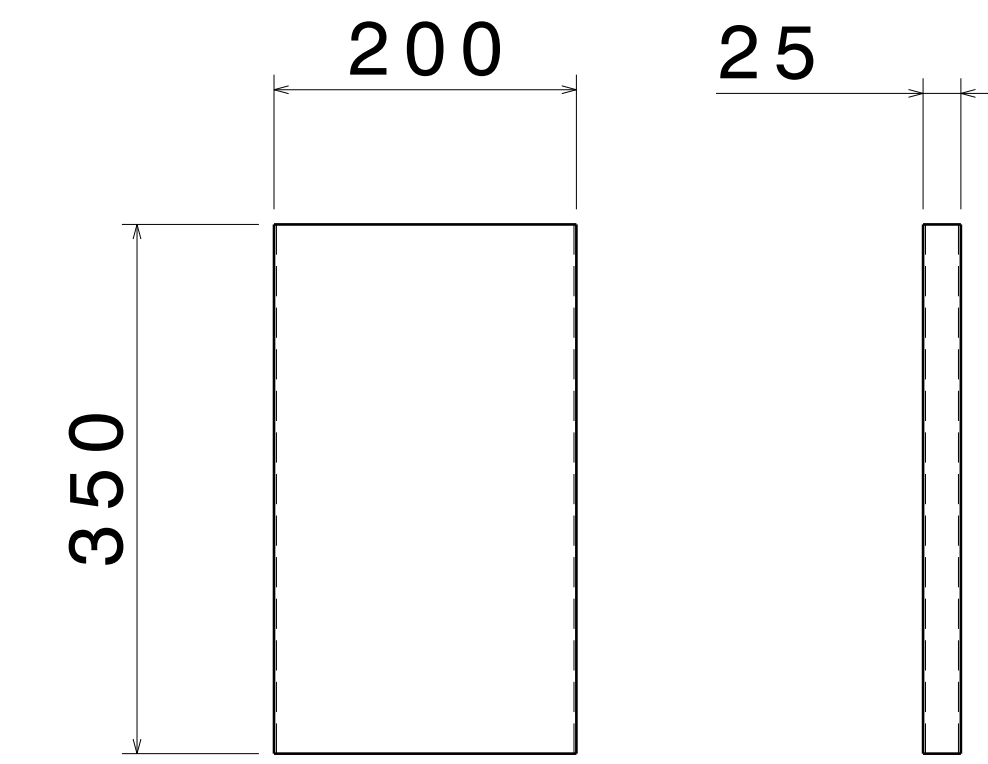
FRONT VIEW RIGHT VIEW
SCALE: 1:5 SCALE: 1:5
ITEM 3, SHS FRAME 3
THICKNESS - 1.6MM



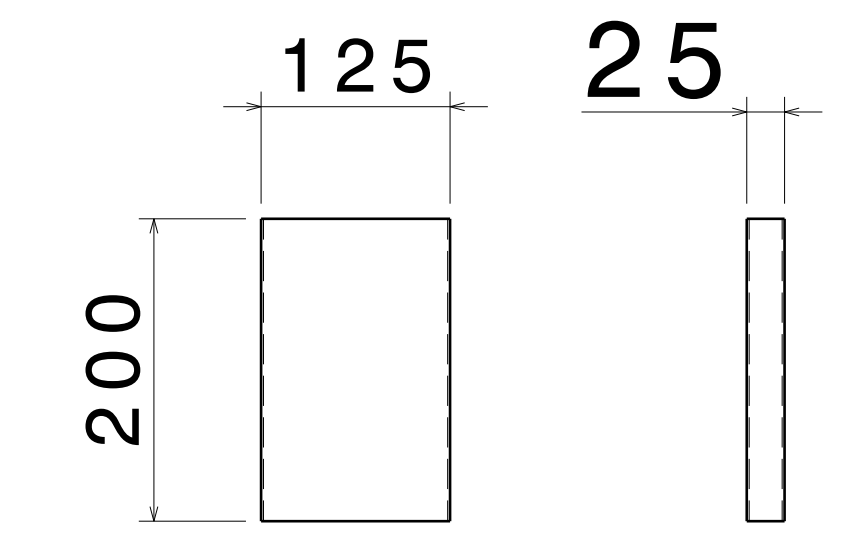
FRONT VIEW RIGHT VIEW
SCALE: 1:5 SCALE: 1:5
ITEM 4, SHS FRAME 4
THICKNESS - 1.6MM



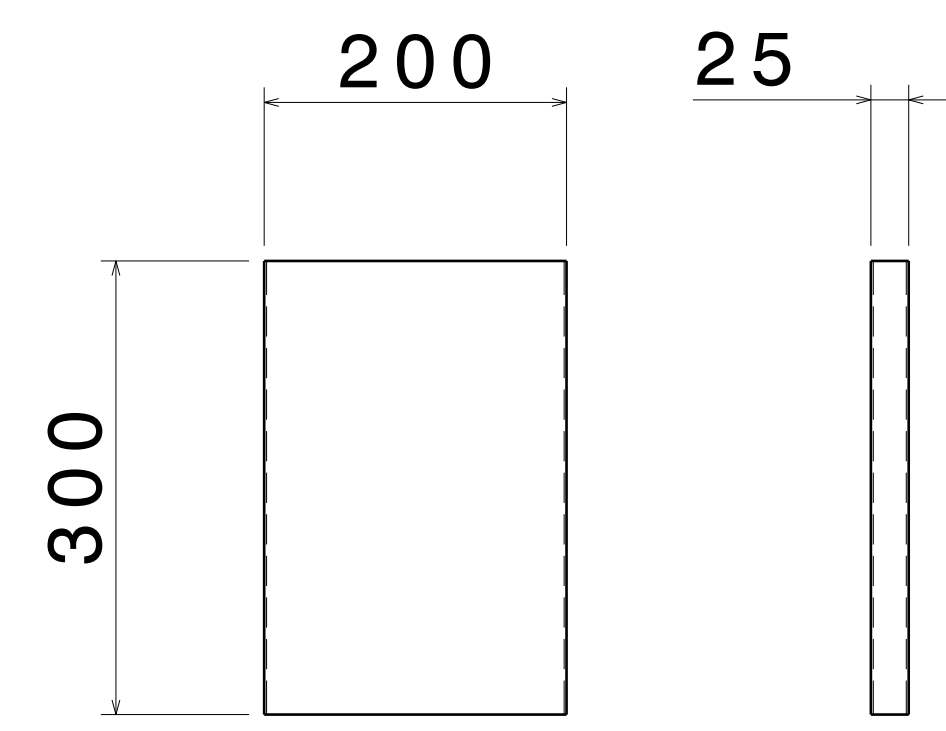
FRONT VIEW RIGHT VIEW
SCALE: 1:5 SCALE: 1:5
ITEM 5, RHS PLANK 1
THICKNESS - 1.6MM



FRONT VIEW RIGHT VIEW
SCALE: 1:5 SCALE: 1:5
ITEM 6, RHS PLANK 2
THICKNESS - 1.6MM



FRONT VIEW RIGHT VIEW
SCALE: 1:5 SCALE: 1:5
ITEM 7, RHS PLANK 3
THICKNESS - 1.6MM



FRONT VIEW RIGHT VIEW
SCALE: 1:5 SCALE: 1:5
ITEM 8, RHS PLANK 4
THICKNESS - 1.6MM

UNLESS OTHERWISE SPECIFIED DIMENSION ARE IN MM
VIEWS: THIRD ANGLE PROJECTION

This drawing is our property. It can't be reproduced or communicated without our written agreement.		APL APOLLO TUBES LTD.	
DRAWN BY SB		DATE 25MARCH2021	
CHECKED BY P2P Analysis & Solutions		DATE 25MARCH2021	
DESIGNED BY P2P Analysis & Solutions		DATE 25MARCH2021	
DRAWING TITLE BOOK SHELF		SIZE A0	DRAWING NUMBER P2P MARCH21-3
SCALE NONE		WEIGHT (kg) XXX	REV 00
		SHEET 3 OF 3	