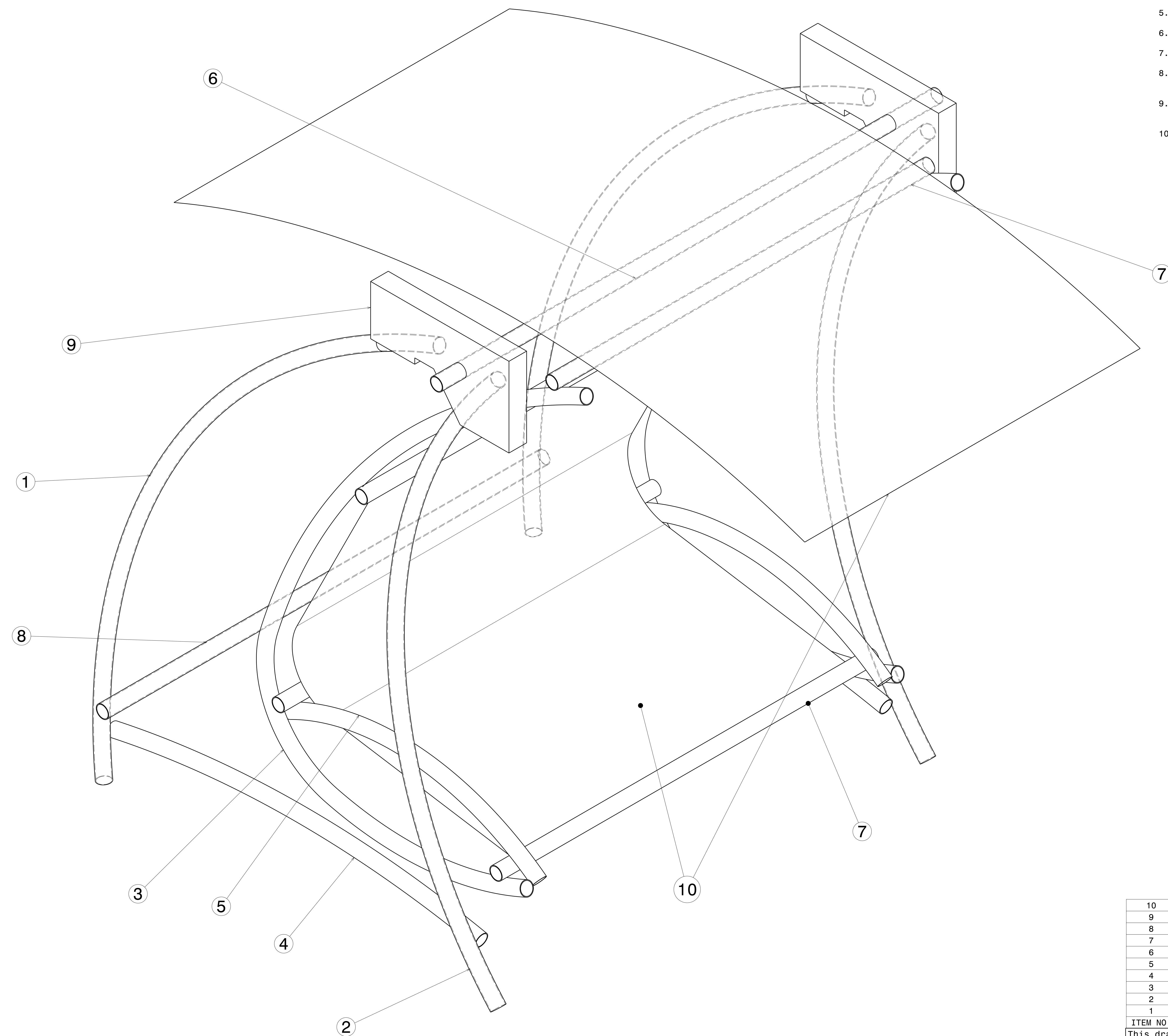


| REV | DATE | DESCRIPTION |
|-----|-----------|------------------|
| 00 | 09MAY2021 | INITIAL REVISION |

- NOTES:
- (⊥) ALL VERTICAL SUPPORTS ARE PERPENDICULAR.
 - FLATNESS OF .5MM IS APPLIED BY DEFAULT.
 - ⊲ WELD BEAD OF 2MM RADIUS IS FOLLOWED.
 - ▽ SURFACE FINISH MEDIUM TO SMOOTH IS USED.
 - ALL TUBES ARE AS PER APL APOLLO STANDARD. CHANGES MAY EFFECT THE LOAD CAPACITY.
 - ALL HORIZONTAL AND VERTICAL TUBES ARE PERPENDICULAR TO EACH OTHER WITH ±1 DEG.
 - FINE WELDING IS REQUIRED AS PER MENTIONED DETAILS AND FINISHING.
 - HIGHER CURRENT WELDING MAY AFFECT THE BRITTLENESS OF MATERIAL WHICH LATER MAY RAISE TO WEAKENING OF STRUCTURE.
 - FABRICATORS ARE ALLOWED TO USE FITTINGS/FRAMES/SUPPORTS AS NEEDED AND THE SAME MUST BE COMMUNICATED BACK TO ENGINEERING TEAM.
 - BOP COMPONENT WEIGHTS ARE FOR REFERENCE ONLY AND SUBJECTED TO CHANGE PER PURCHASED COMPONENTS.



Isometric view
Scale: 1:4

| ITEM NO. | PART NUMBER | DESCRIPTION | QTY. | Wt (kg)/Each |
|----------|---------------------|------------------------|-----------|--------------|
| 10 | LEATHER/REXIN - BOP | ----- | AS NEEDED | ----- |
| 9 | JOINER - BOP | ----- | AS NEEDED | ----- |
| 8 | ROD 8 | DIA 42.4 X 2THK X 1500 | 1 | 3 |
| 7 | ROD 7 | DIA 42.4 X 2THK X 1280 | 4 | 2.55 |
| 6 | ROD 6 | DIA 42.4 X 2THK X 1700 | 1 | 3.4 |
| 5 | ROD 5 | DIA 42.4 X 2THK X 900 | 2 | 1.8 |
| 4 | ROD 4 | DIA 42.4 X 2THK X 1260 | 2 | 2.5 |
| 3 | ROD 3 | DIA 42.4 X 2THK X 2850 | 2 | 5.7 |
| 2 | ROD 2 | DIA 42.4 X 2THK X 2025 | 2 | 4.05 |
| 1 | ROD 1 | DIA 42.4 X 2THK X 2340 | 2 | 4.65 |

This drawing is our property. It can't be reproduced or communicated without our written agreement.
www.p2p.ind.in

APL APOLLO TUBES LTD.

DRAWING TITLE: SWING

SIZE: A0
DRAWING NUMBER: P2P MAY 21-11
REV: 00

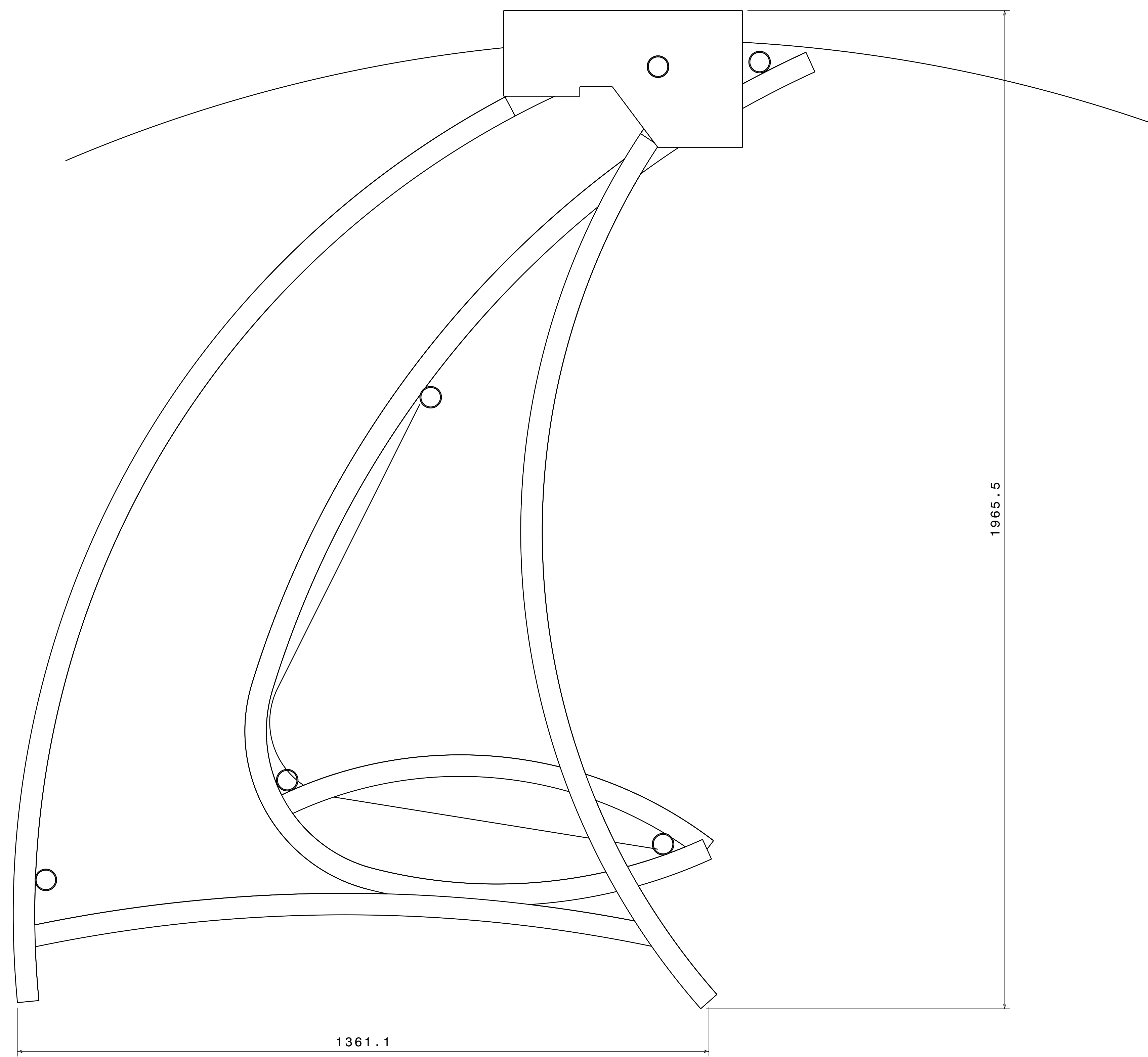
SCALE: As Indicated
WEIGHT (kg): 0kg
SHEET 1 OF 3

UNLESS OTHERWISE SPECIFIED DIMENSION ARE IN MM
VIEWS: THIRD ANGLE PROJECTION

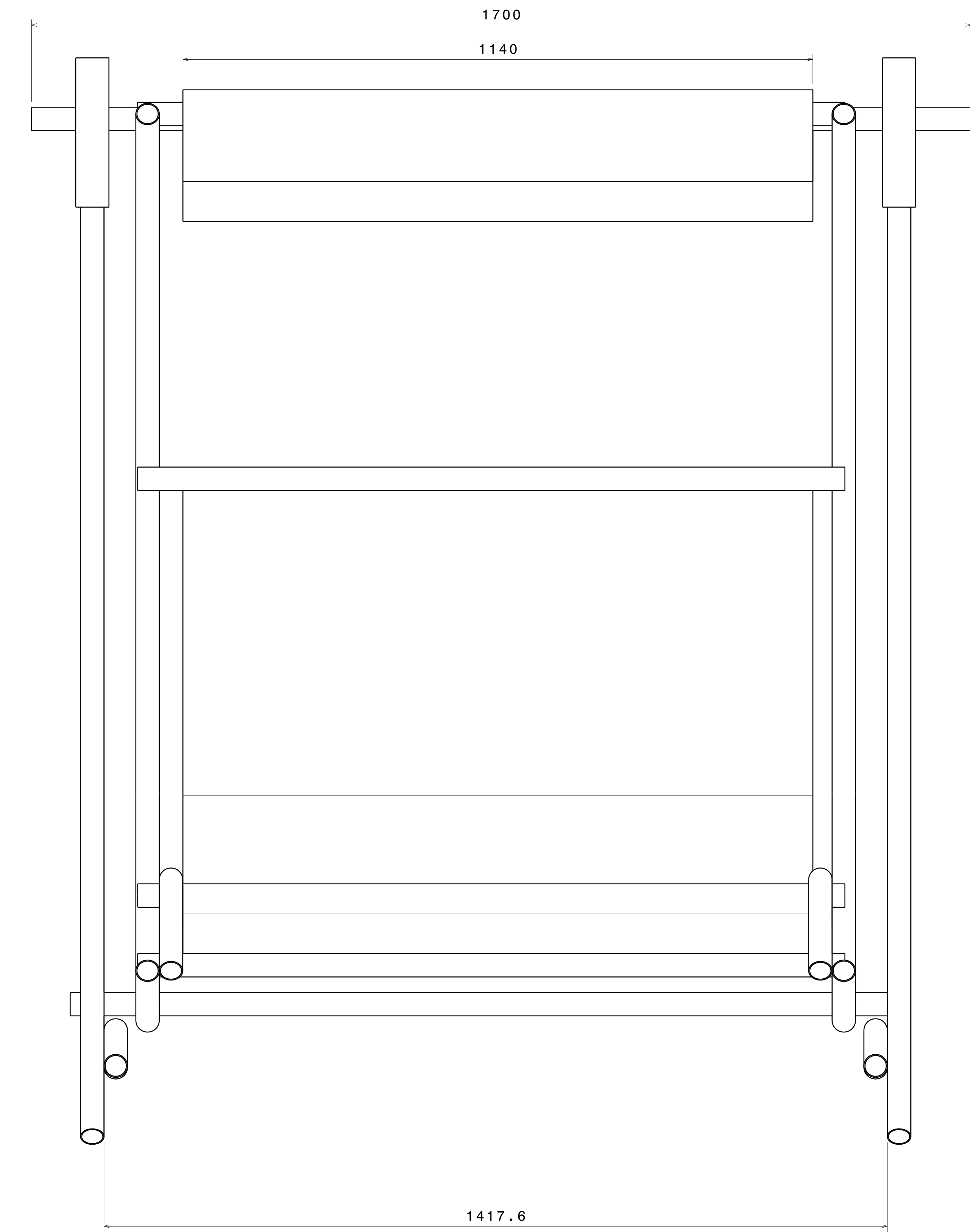
DRAWN BY: SB
CHECKED BY: P2P Analysis & Solutions
DESIGNED BY: P2P Analysis & Solutions

DATE: 09MAY2021
DATE: 09MAY2021
DATE: 09MAY2021

| REV | DATE | DESCRIPTION |
|-----|-----------|------------------|
| 00 | 09MAY2021 | INITIAL REVISION |



Front view
Scale: 1:5



Right view
Scale: 1:5

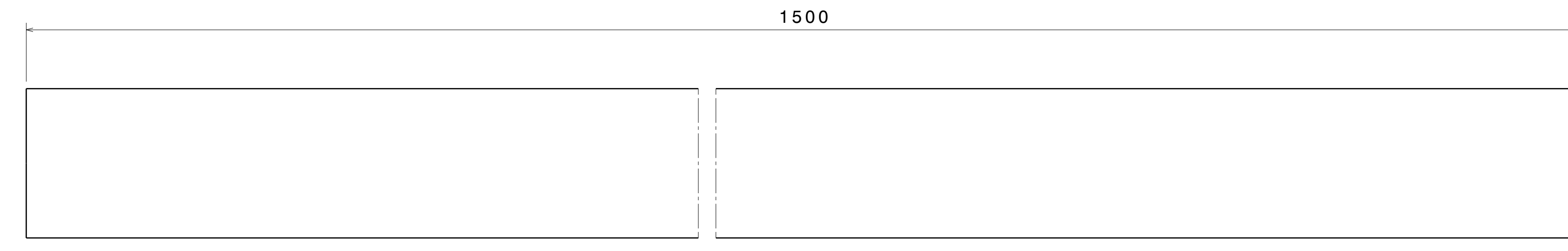
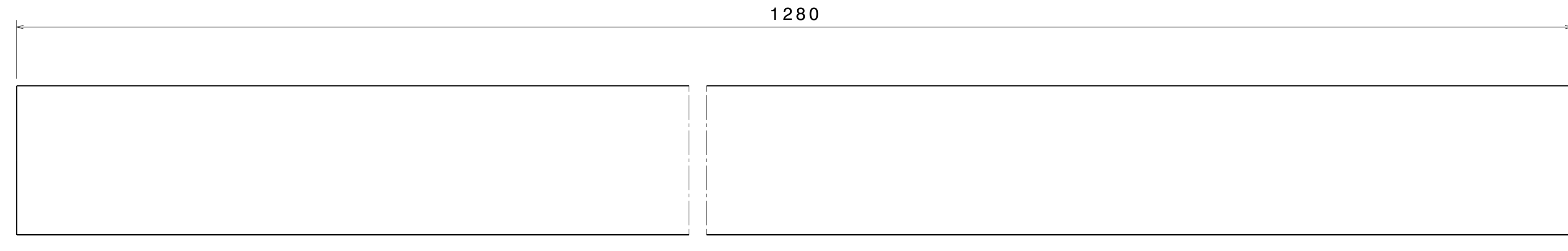
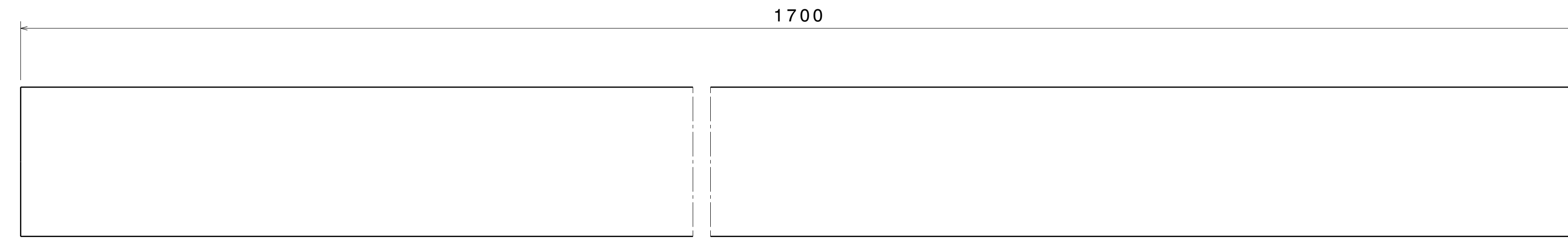
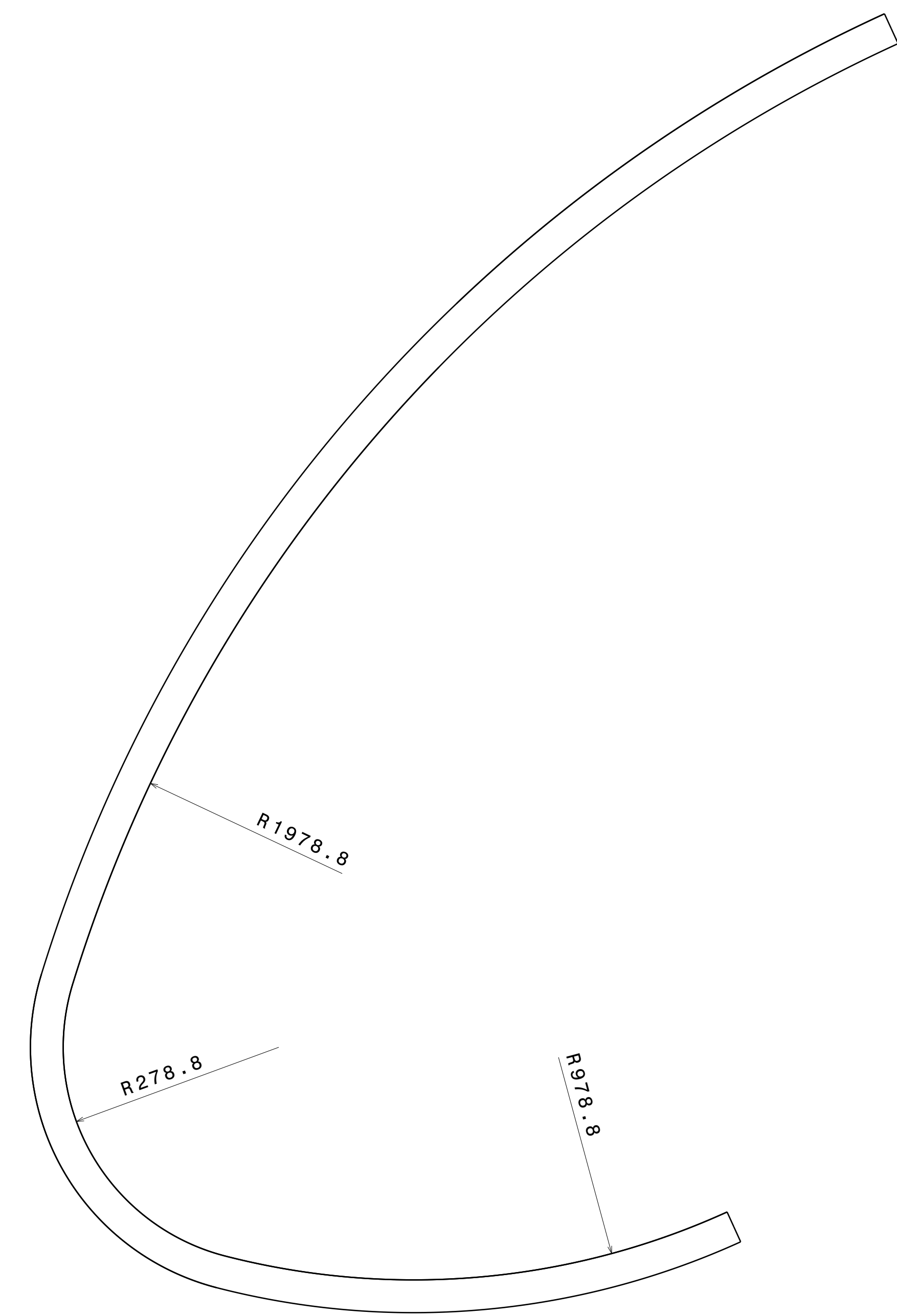
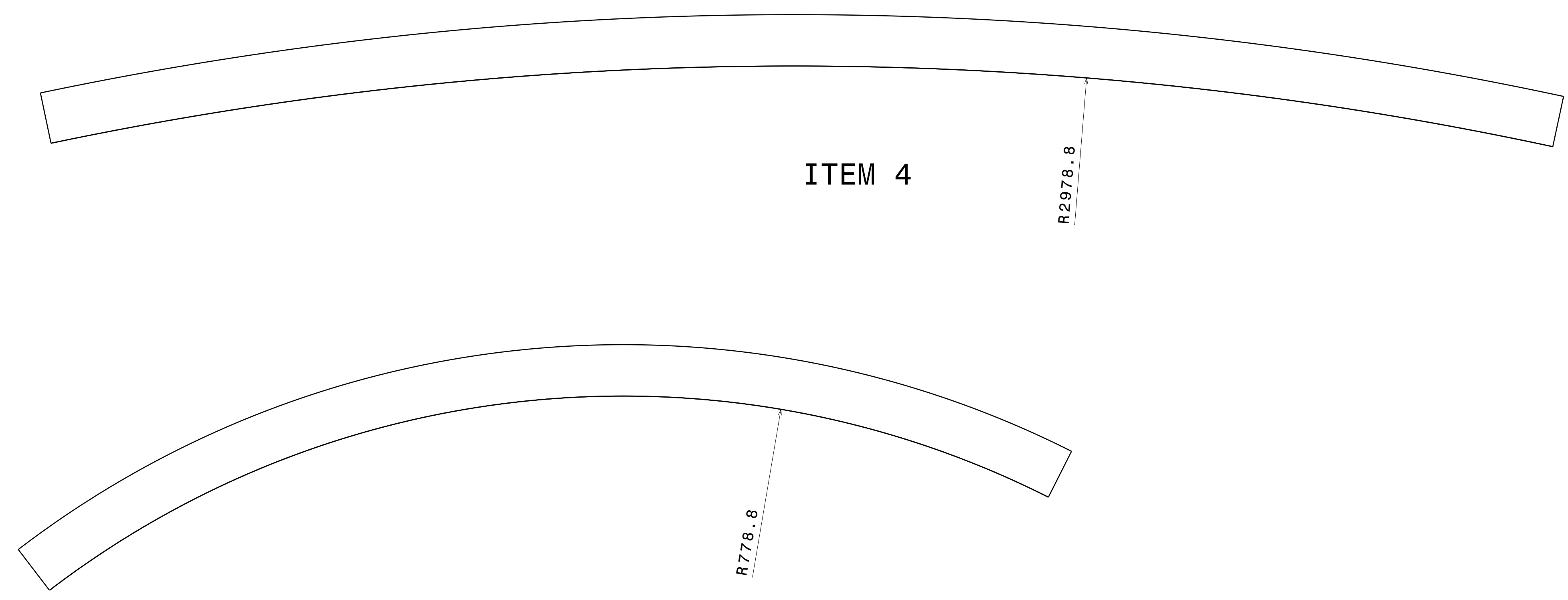
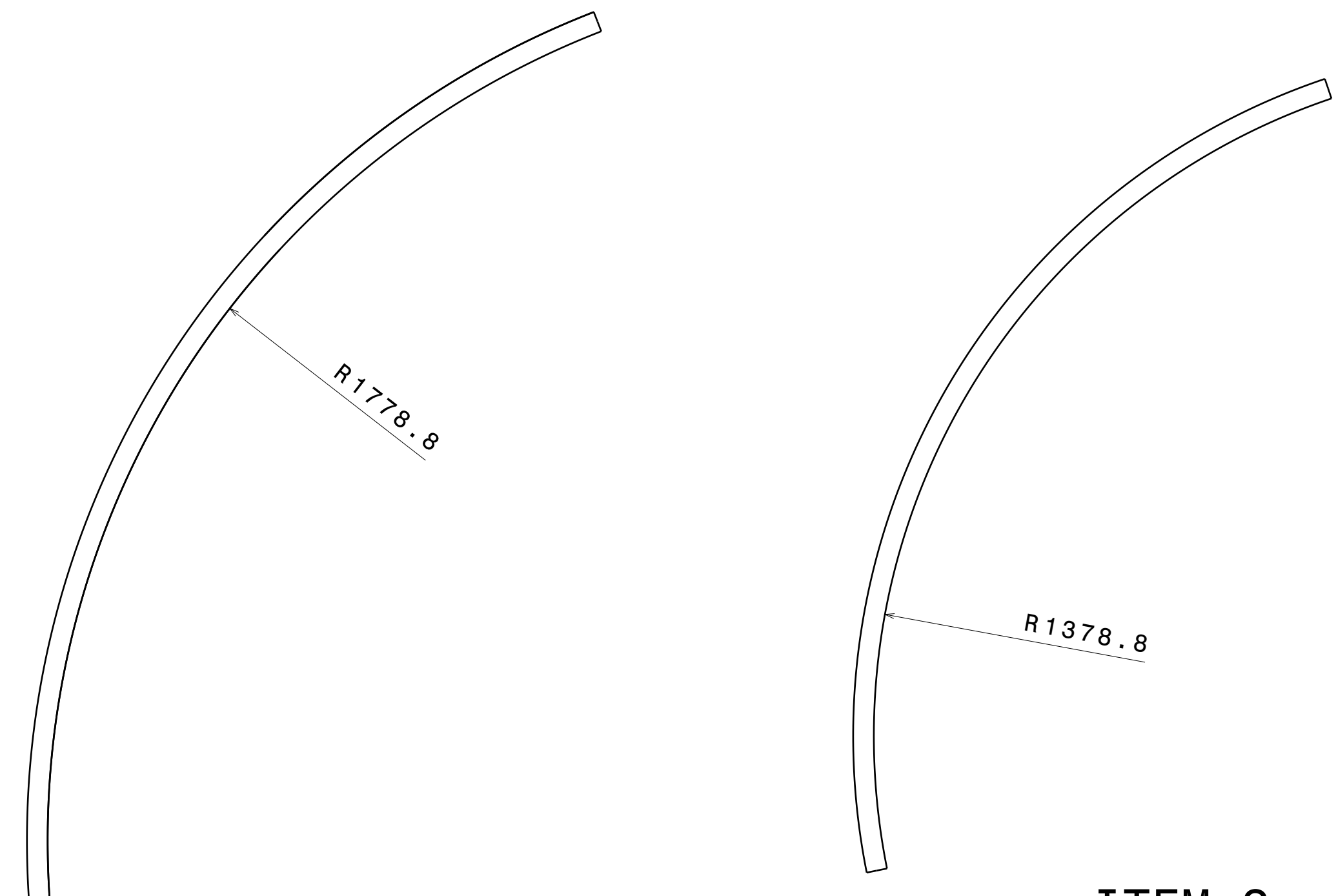
UNLESS OTHERWISE SPECIFIED DIMENSION ARE IN MM
VIEWS: THIRD ANGLE PROJECTION

This drawing is our property. It can't be reproduced or communicated without our written agreement.
www.p2p.ind.in

| | |
|--------------------------|-----------|
| DRAWN BY | DATE |
| SB | 09MAY2021 |
| CHECKED BY | DATE |
| P2P Analysis & Solutions | 09MAY2021 |
| DESIGNED BY | DATE |
| P2P Analysis & Solutions | 09MAY2021 |

| | |
|-----------------------|----------------|
| APL APOLLO TUBES LTD. | |
| DRAWING TITLE | |
| SWING | |
| SIZE | DRAWING NUMBER |
| A0 | P2P MAY 21-11 |
| SCALE | WEIGHT (kg) |
| NONE | XXX |
| SHEET 2 OF 3 | |

| REV | DATE | DESCRIPTION |
|-----|-----------|------------------|
| 00 | 09MAY2021 | INITIAL REVISION |



UNLESS OTHERWISE SPECIFIED DIMENSION ARE IN MM
 VIEWS: THIRD ANGLE PROJECTION

This drawing is our property. It can't be reproduced or communicated without our written agreement.
 www.p2p.ind.in

DRAWN BY: SB
 CHECKED BY: P2P Analysis & Solutions
 DESIGNED BY: P2P Analysis & Solutions

DATE: 09MAY2021
 DATE: 09MAY2021
 DATE: 09MAY2021

| | |
|-----------------------|-------------------------------|
| APL APOLLO TUBES LTD. | |
| DRAWING TITLE: SWING | |
| SIZE: A0 | DRAWING NUMBER: P2P MAY 21-11 |
| SCALE: NONE | WEIGHT (kg): XXX |
| REV: 00 | SHEET 3 OF 3 |