

REV	DATE	DESCRIPTION
00	14MAY2021	INITIAL REVISION

NOTES:

- (⊥) ALL VERTICAL SUPPORTS ARE PERPENDICULAR.
- FLATNESS OF .5MM IS APPLIED BY DEFAULT.
- ⊲ WELD BEAD OF 2MM RADIUS IS FOLLOWED.
- ▽ SURFACE FINISH MEDIUM TO SMOOTH IS USED.
- ALL TUBES ARE AS PER APL APOLLO STANDARD. CHANGES MAY EFFECT THE LOAD CAPACITY.
- ALL HORIZONTAL AND VERTICAL TUBES ARE PERPENDICULAR TO EACH OTHER WITH ±1 DEG.
- FINE WELDING IS REQUIRED AS PER MENTIONED DETAILS AND FINISHING.
- HIGHER CURRENT WELDING MAY AFFECT THE BRITTLNESS OF MATERIAL WHICH LATER MAY RAISE TO WEAKENING OF STRUCTURE.
- FABRICATORS ARE ALLOWED TO USE FITTINGS/FRAMES/SUPPPORTS AS NEEDED AND THE SAME MUST BE COMMUNICATED BACK TO ENGINEERING TEAM.
- LENGTH OF ALL LONGITUDINAL FRAMES ARE FOR REFERENCE ONLY AND SUBJECTED TO CHANGE PER REQUIREMENT.



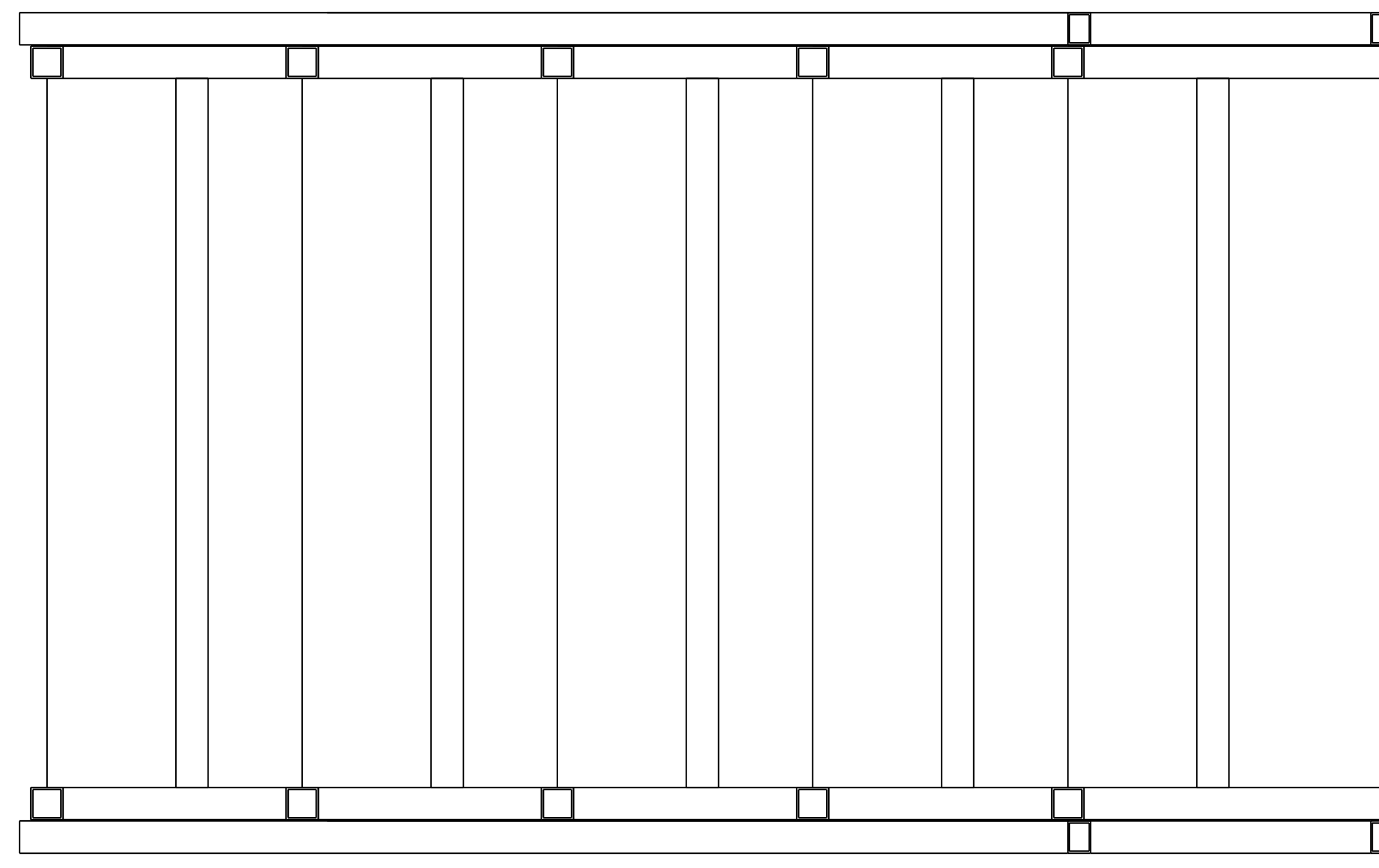
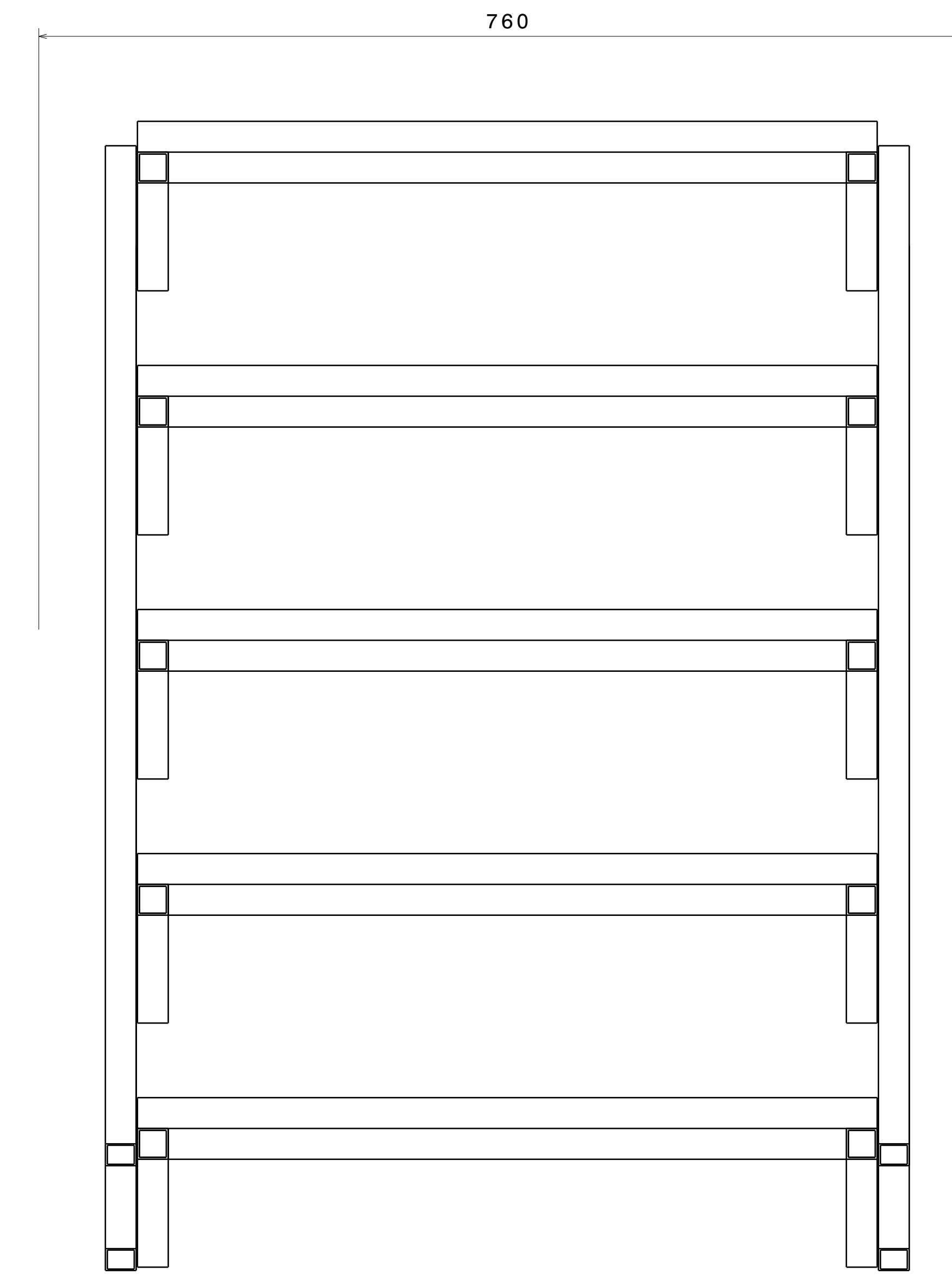
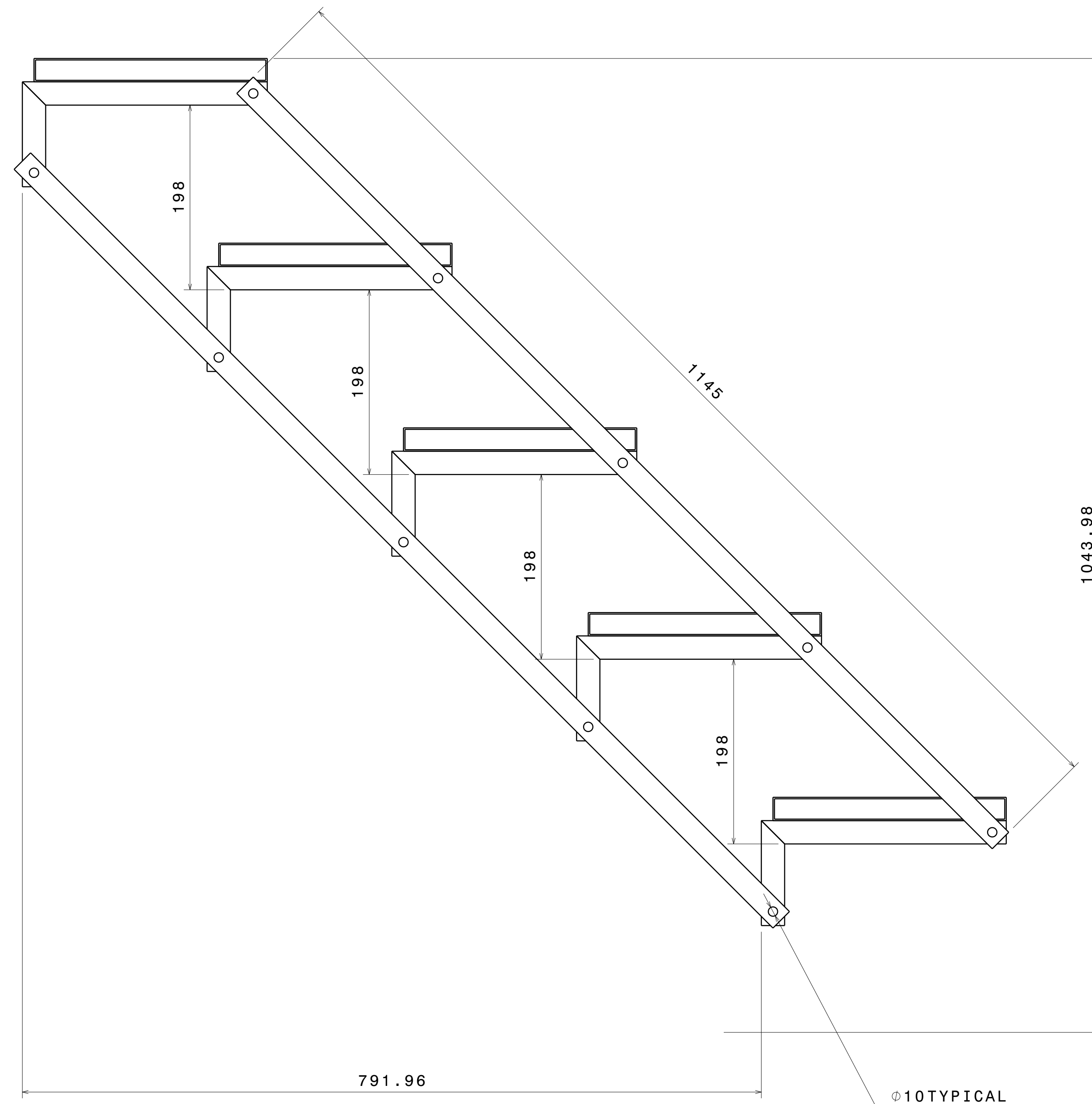
ISOMETRIC VIEW
(AT 45° SWING CONDITION)

ITEM NO.	PART NUMBER	DESCRIPTION	QTY.	Wt (Kg)/Each
5	PLANK 1	250 X 25 X 1.6 X 600	5	4.1
4	SQ Frame 4	25 X 25 X 1.6 X 550	5	0.65
3	SQ Frame 3	25 X 25 X 1.6 X 262.5	10	0.3
2	SQ Frame 2	25 X 25 X 1.6 X 112.5	10	0.12
1	SQ Frame 1	25 X 25 X 1.6 X 1145	4	1.35

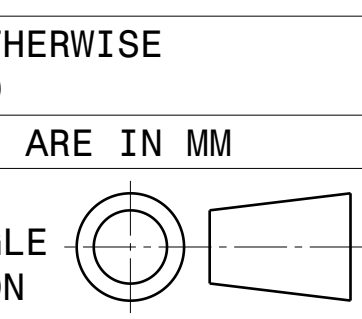
This drawing is our property. It can't be reproduced or communicated without our written agreement. www.p2p.ind.in		APL APOLLO TUBES LTD.	
DRAWN BY: SB		DATE: 14MAY2021	
CHECKED BY: P2P Analysis & Solutions		DATE: 14MAY2021	
DESIGNED BY: P2P Analysis & Solutions		DATE: 14MAY2021	
DRAWING TITLE: MAY 21-19		SIZE: A0	DRAWING NUMBER: P2P MAY 21-19
UNLESS OTHERWISE SPECIFIED DIMENSION ARE IN MM		SCALE: As Indicated	WEIGHT (kg): 0kg
VIEWS: THIRD ANGLE PROJECTION		SHEET 1 OF 3	

UNLESS OTHERWISE SPECIFIED DIMENSION ARE IN MM
VIEWS: THIRD ANGLE PROJECTION

REV	DATE	DESCRIPTION
00	14MAY2021	INITIAL REVISION



UNLESS OTHERWISE SPECIFIED DIMENSION ARE IN MM VIEWS: THIRD ANGLE PROJECTION

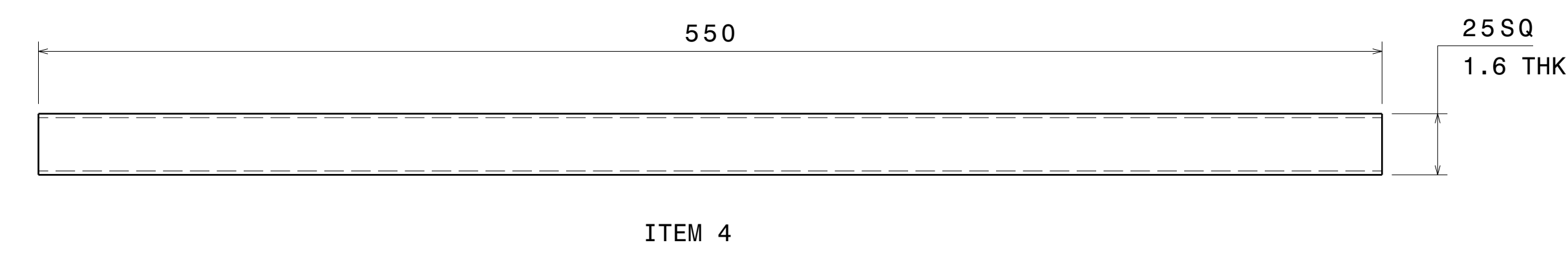
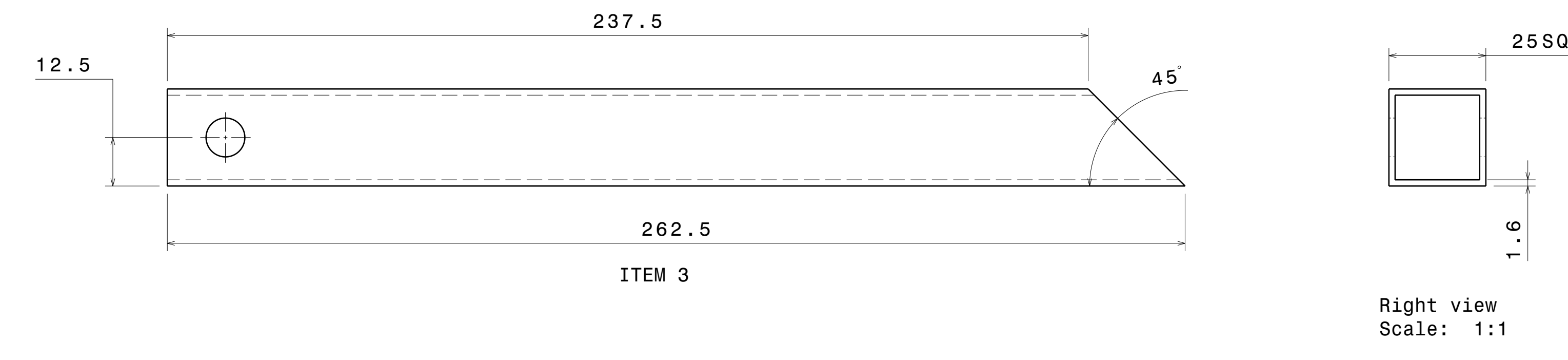
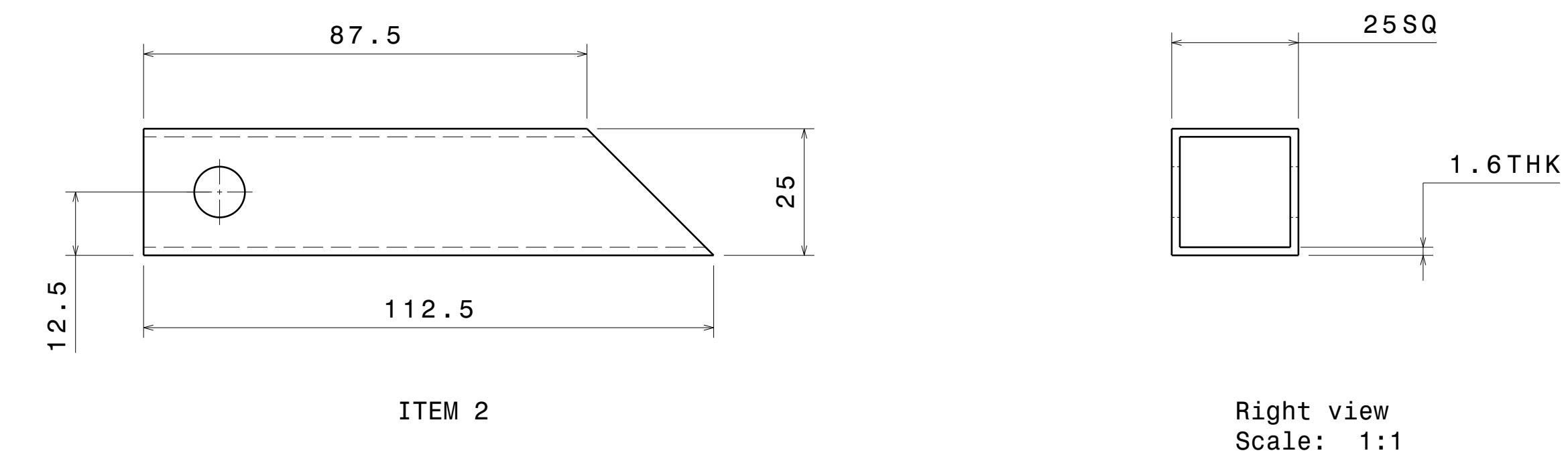
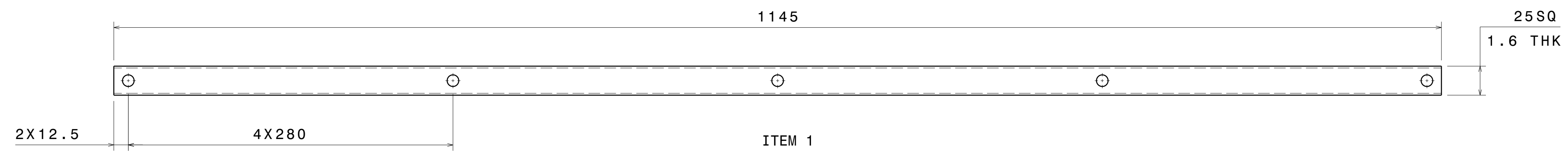


This drawing is our property. It can't be reproduced or communicated without our written agreement. www.p2p.ind.in

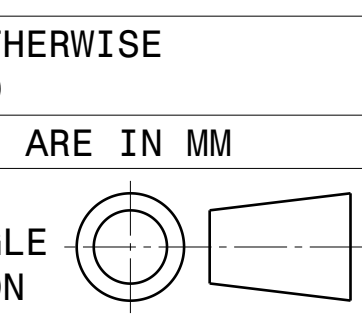
DRAWN BY	DATE
SB	14MAY2021
CHECKED BY	DATE
P2P Analysis & Solutions	14MAY2021
DESIGNED BY	DATE
P2P Analysis & Solutions	14MAY2021

APL APOLLO TUBES LTD.	
DRAWING TITLE	
MAY 21-19	
SIZE	DRAWING NUMBER
A0	P2P MAY 21-19
SCALE	WEIGHT (kg)
NONE	XXX
SHEET 2 OF 3	

REV	DATE	DESCRIPTION
00	14MAY2021	INITIAL REVISION




UNLESS OTHERWISE SPECIFIED DIMENSION ARE IN MM VIEWS: THIRD ANGLE PROJECTION



This drawing is our property. It can't be reproduced or communicated without our written agreement. www.p2p.ind.in

DRAWN BY	SB	DATE	14MAY2021
CHECKED BY	P2P Analysis & Solutions	DATE	14MAY2021
DESIGNED BY	P2P Analysis & Solutions	DATE	14MAY2021

APL APOLLO TUBES LTD. 			
DRAWING TITLE			
MAY 21-19			
SIZE	A0	DRAWING NUMBER	P2P MAY 21-19
SCALE	NONE	WEIGHT (kg)	XXX
REV	00	SHEET 3 OF 3	