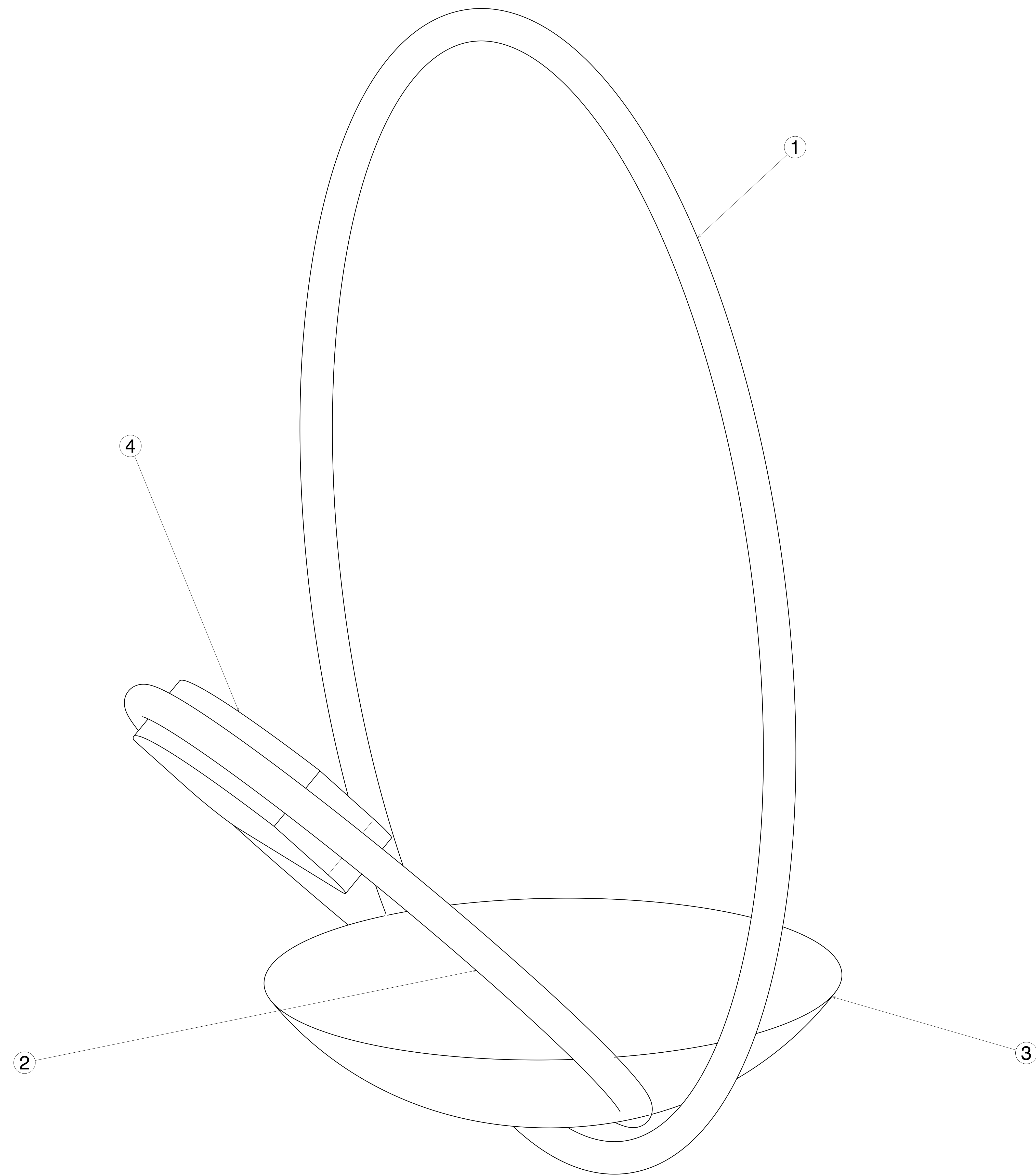


REV	DATE	DESCRIPTION
00	12MAY2021	INITIAL REVISION

- NOTES:
- (⊥) ALL VERTICAL SUPPORTS ARE PERPENDICULAR.
  - FLATNESS OF .5MM IS APPLIED BY DEFAULT.
  - ⊲ WELD BEAD OF 2MM RADIUS IS FOLLOWED.
  - ▽▽ SURFACE FINISH MEDIUM TO SMOOTH IS USED.
  - ALL TUBES ARE AS PER APL APOLLO STANDARD. CHANGES MAY EFFECT THE LOAD CAPACITY.
  - ALL HORIZONTAL AND VERTICAL TUBES ARE PERPENDICULAR TO EACH OTHER WITH ±1 DEG.
  - FINE WELDNG IS REQUIRED AS PER MENTIONED DETAILS AND FINISHING.
  - HIGHER CURRENT WELDING MAY AFFECT THE BRITTLNESS OF MATERIAL WHICH LATER MAY RAISE TO WEAKENING OF STRUCTURE.
  - FABRICATORS ARE ALLOWED TO USE FITTINGS/FRAMES/SUPPORTS AS NEEDED AND THE SAME MUST BE COMMUNICATED BACK TO ENGINEERING TEAM.
  - BOP COMPONENT WEIGHTS ARE FOR REFERENCE ONLY AND SUBJECTED TO CHANGE PER PURCHASED COMPONENTS.

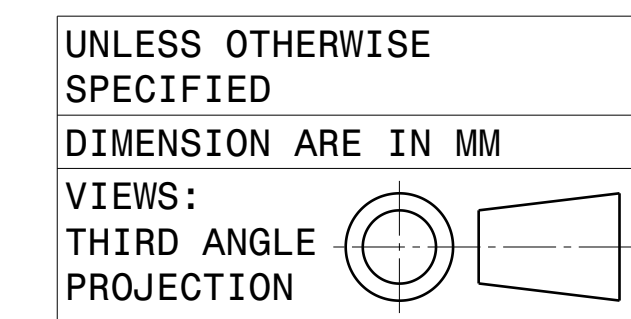


Isometric view  
Scale: 1:2

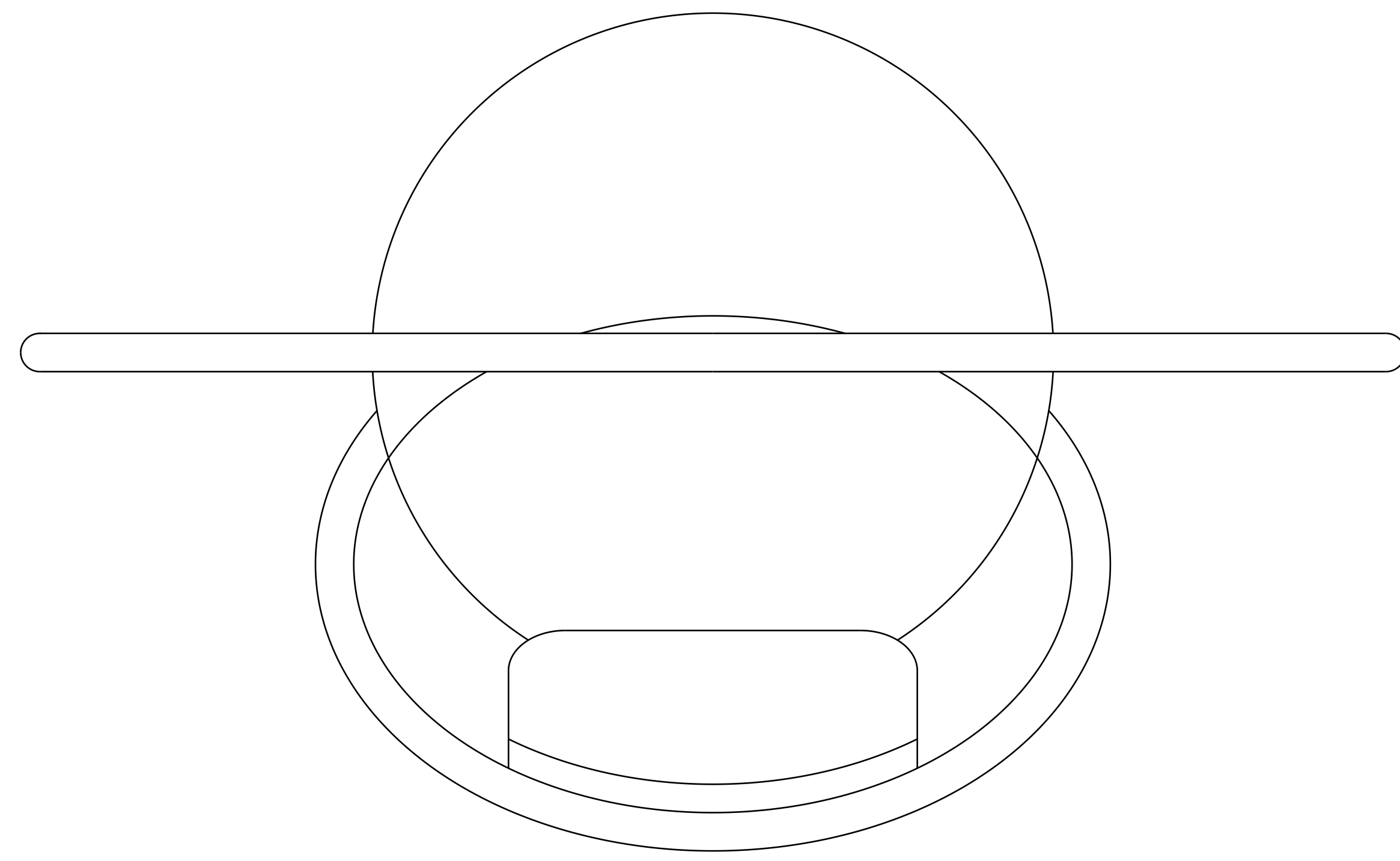
ITEM NO.	PART NUMBER	DESCRIPTION	QTY.	Wt (Kg) /Each
4	BACK REST - BOP	-----	1	--
3	SEAT - BOP	-----	1	--
2	CIRCULAR TUBE 2	DIA 33.7 X 2 THK	1	3.28
1	CIRCULAR TUBE 1	DIA 33.7 X 2 THK	1	5.9

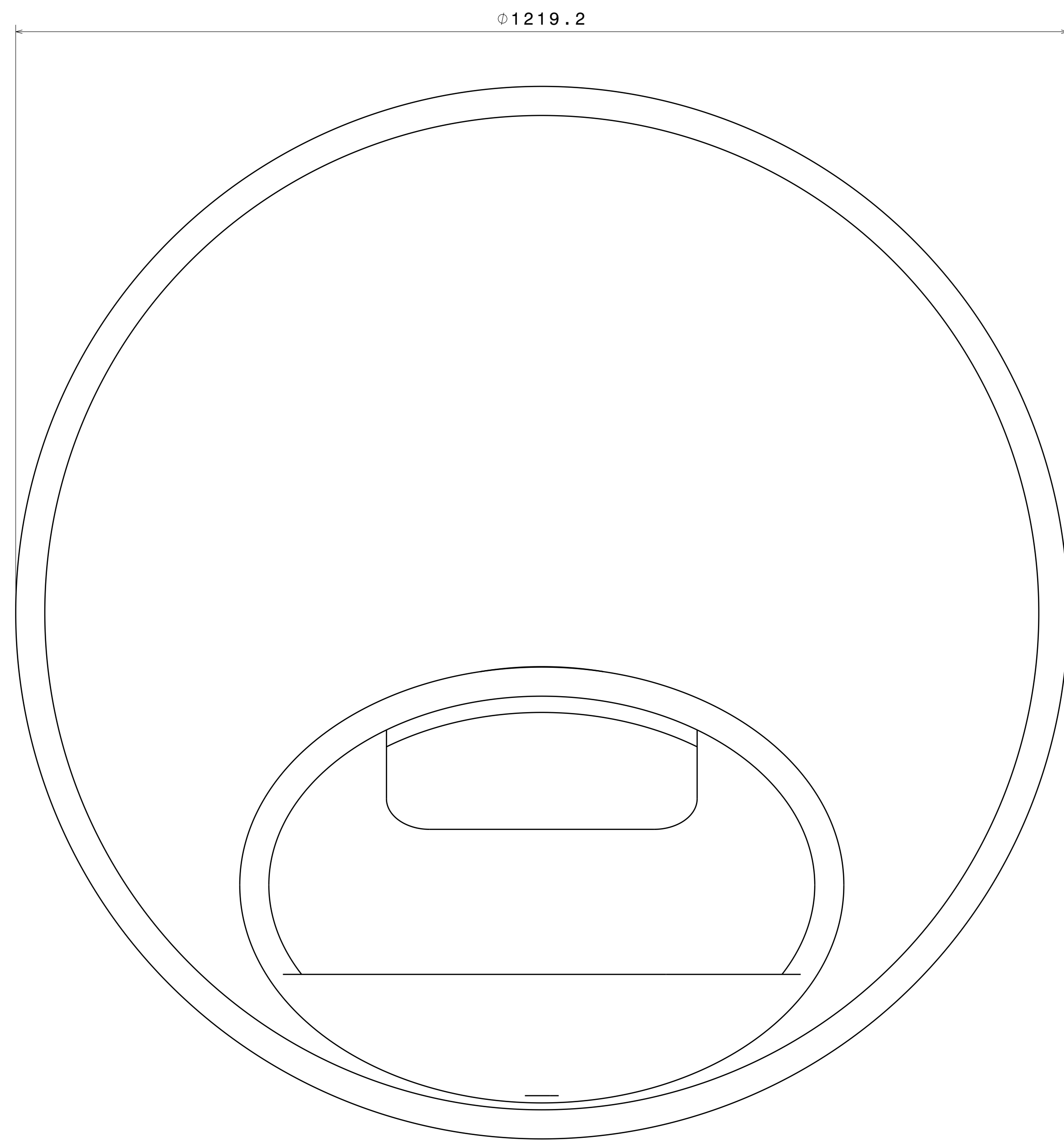
This drawing is our property. It can't be reproduced or communicated without our written agreement. www.p2p.ind.in		<b>APL APOLLO TUBES LTD.</b>	
DRAWN BY: RR CHECKED BY: P2P Analysis & Solutions DESIGNED BY: P2P Analysis & Solutions		DRAWING TITLE: <b>SWING CHAIR</b>	
DATE: 12MAY2021	DATE: 12MAY2021	SIZE: A0	DRAWING NUMBER: P2P MAY 21-20
DATE: 12MAY2021	DATE: 12MAY2021	SCALE: As Indicated	WEIGHT(kg): 0kg



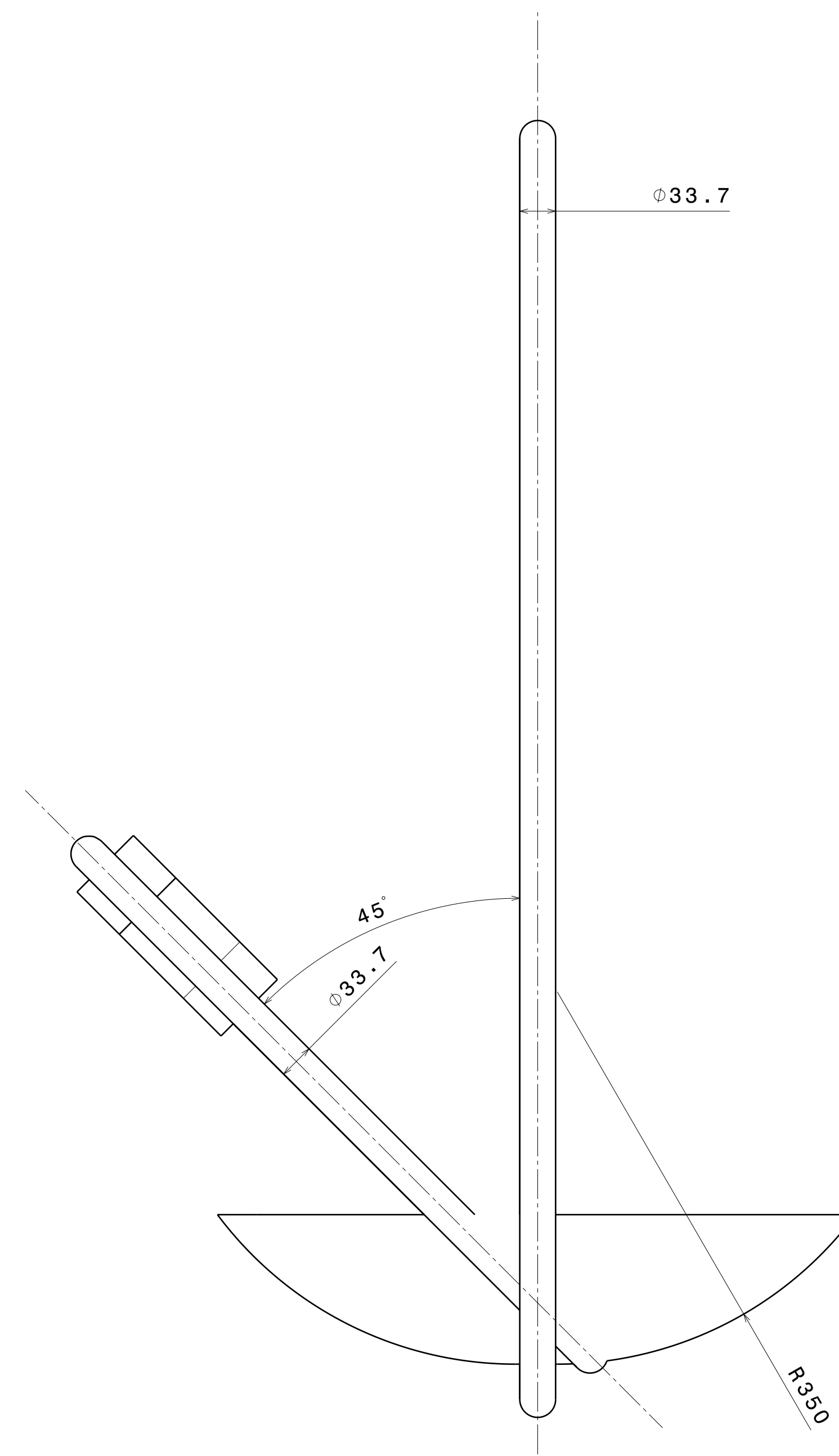
REV	DATE	DESCRIPTION
00	12MAY2021	INITIAL REVISION



Top view  
Scale: 1:4

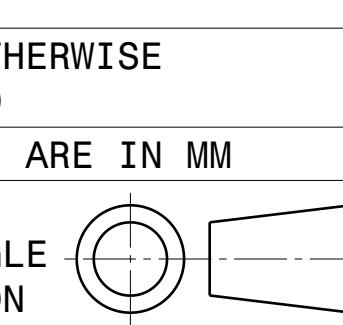


Front view  
Scale: 1:4




Right view  
Scale: 1:4

UNLESS OTHERWISE SPECIFIED DIMENSION ARE IN MM  
VIEWS: THIRD ANGLE PROJECTION

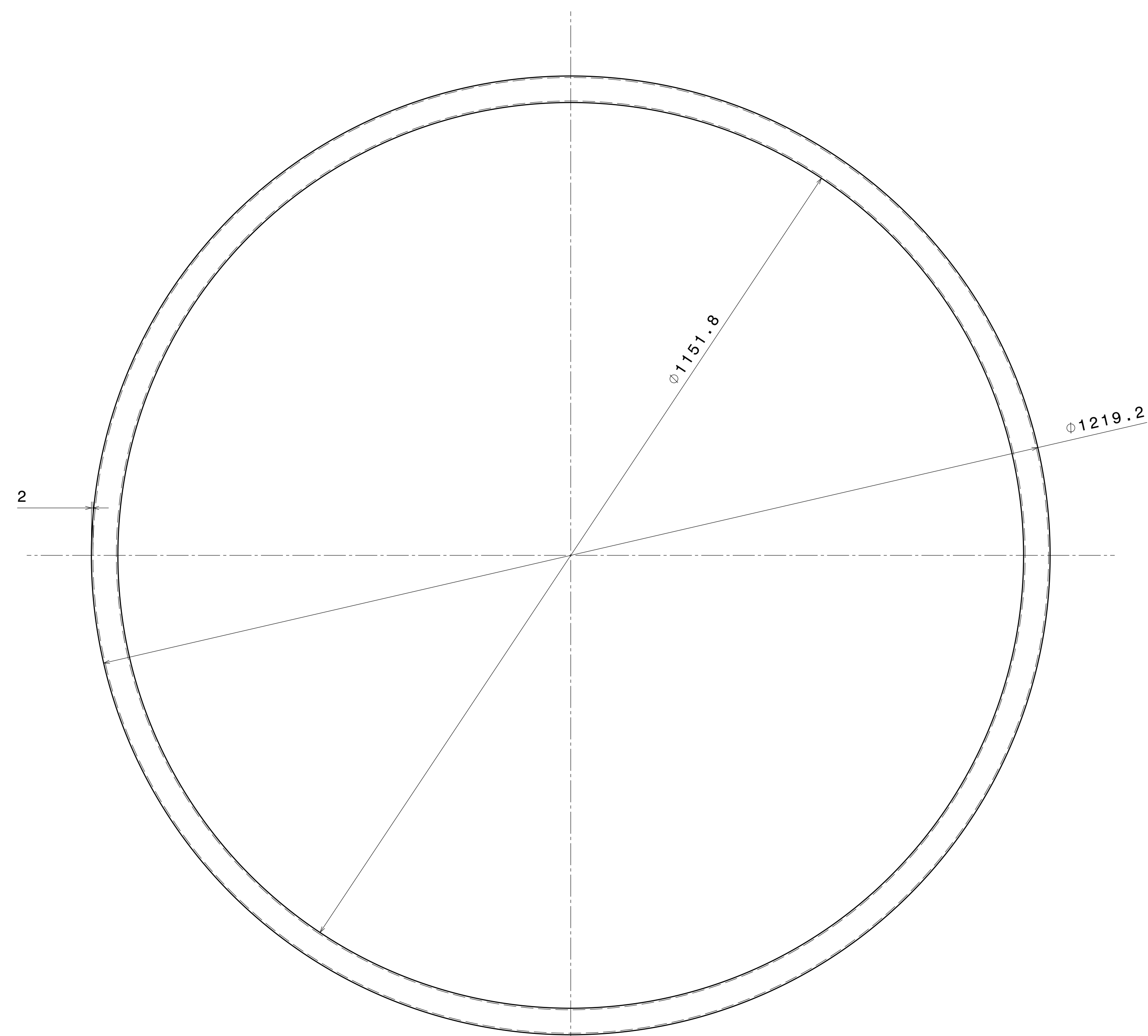


This drawing is our property. It can't be reproduced or communicated without our written agreement.  
www.p2p.ind.in

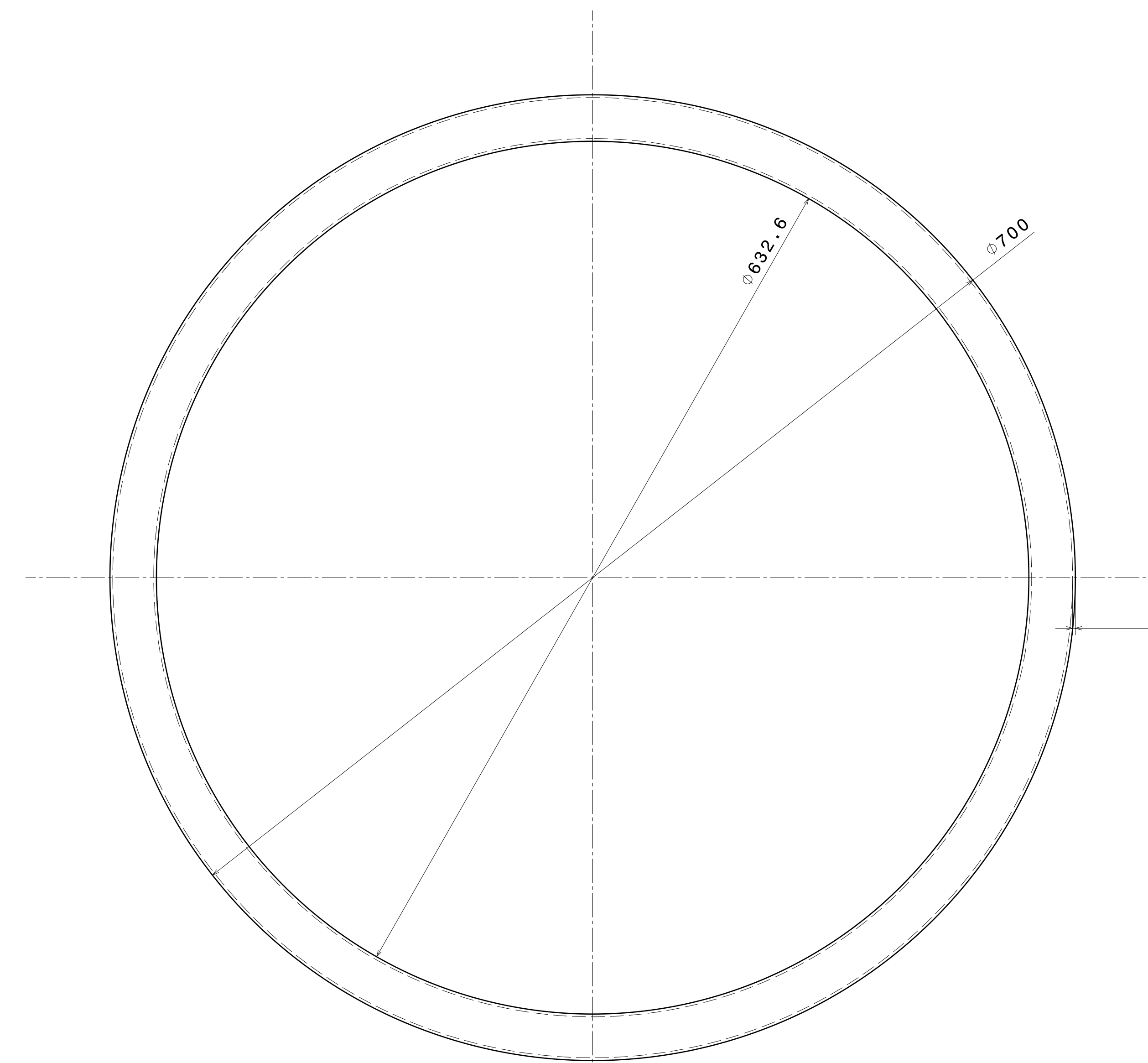
DRAWN BY	DATE
SB	12MAY2021
CHECKED BY	DATE
P2P Analysis & Solutions	12MAY2021
DESIGNED BY	DATE
P2P Analysis & Solutions	12MAY2021

APL APOLLO TUBES LTD. 	
DRAWING TITLE	
SWING CHAIR	
SIZE	DRAWING NUMBER
A0	P2P MAY 21-20
SCALE	WEIGHT (kg)
NONE	XXX
REV	SHEET 2 OF 3
00	

REV	DATE	DESCRIPTION
00	12MAY2021	INITIAL REVISION

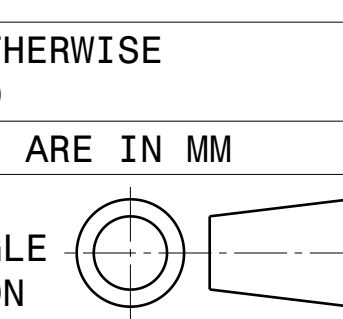


ITEM 1




ITEM 2

UNLESS OTHERWISE SPECIFIED DIMENSION ARE IN MM  
 VIEWS: THIRD ANGLE PROJECTION



This drawing is our property. It can't be reproduced or communicated without our written agreement.  
 www.p2p.ind.in

DRAWN BY	SB	DATE	12MAY2021
CHECKED BY	P2P Analysis & Solutions	DATE	12MAY2021
DESIGNED BY	P2P Analysis & Solutions	DATE	12MAY2021

APL APOLLO TUBES LTD. 	
DRAWING TITLE	
SWING CHAIR	
SIZE	A0
DRAWING NUMBER	P2P MAY 21-20
REV	00
SCALE	NONE
WEIGHT (kg)	XXX
SHEET 3 OF 3	